

Vario+

Thank you for choosing the Baratza Vario+ for your home grinding needs!

This is just a quick start guide. If you would like more detailed instructions, please skip ahead to the full manual, found online at baratza.com/documentation/.

SETUP:

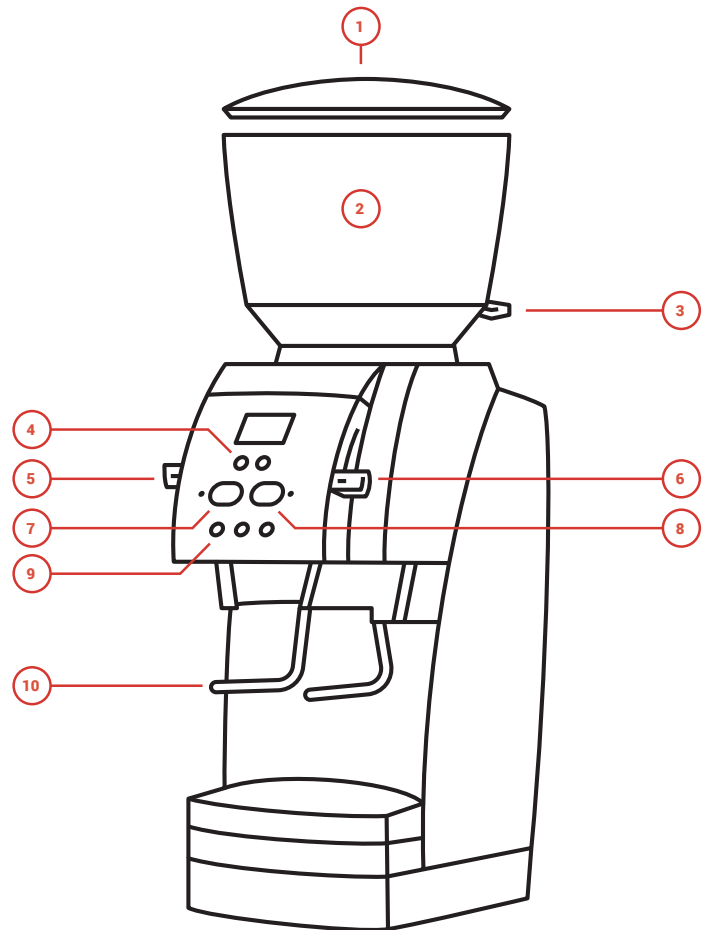
1. Remove everything from the packaging and hand wash the lid (1), hopper (2) and grounds bin (13) with warm soapy water. Let air dry.
2. Position the shut-off knob (3) near the rear left of the grinder, apply downward force, and feel for the hopper to insert into place. Once inserted, firmly rotate the hopper clockwise to center the shut-off knob and lock the hopper into place.
3. If using the grounds bin, remove the PortaHolder (10) by pulling firmly out, then insert the grounds bin.

If using the PortaHolder and you find it needs adjustment to fit your portafilter: remove the PortaHolder, loosen screws on the back, adjust the arms' position, then tighten screws gently.

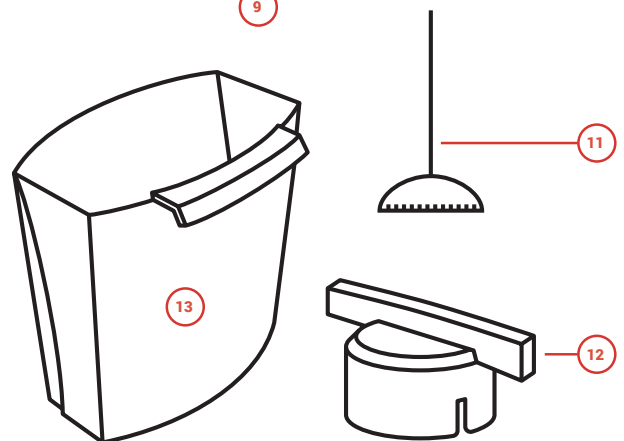
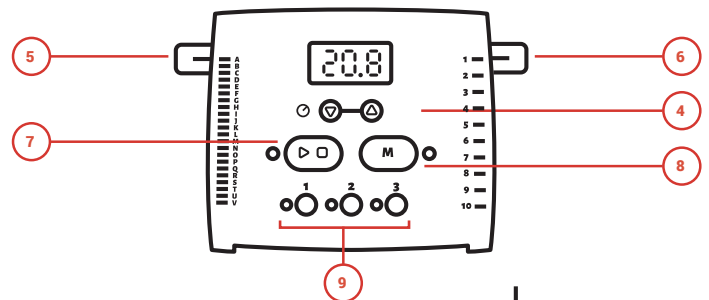
4. Plug in the grinder.
5. Reference the Grind Settings Chart below and set the grind size.
6. When adjusting finer, the grinder must be running or completely empty of beans to prevent the adjustment system from binding on beans that are between the burrs.
7. Add beans to the hopper.
8. Select grind time preset (9) or manual mode (8) then press start (7) to grind.
9. Presets 1, 2 and 3 set the grinder to run for a designated time and can be adjusted with the up/down arrows (4) and saved to a preset by pressing and holding that preset button. Manual (M) mode runs the grinder until the Stop button is pressed or 90 seconds max.

PARTS IDENTIFICATION

- | | |
|---|--|
| 1. Hopper lid | 8. Manual mode button |
| 2. Bean hopper | 9. Grind time presets |
| 3. Bean shut-off knob | 10. PortaHolder |
| 4. Grind time preset adjustment buttons | 11. Burr calibration tool (see manual) |
| 5. Micro adjustment lever knob | 12. Burr removal tool (see manual) |
| 6. Macro adjustment lever knob | 13. Grounds bin |
| 7. Start/Stop button | |



Vario+



GRIND SETTINGS CHART

The suggested settings below are starting points. You can adjust finer or coarser according to your taste or recipe preferences.

Espresso	AeroPress	Chemex	Automatic Drippers	Hario V60	French Press
2Q	4M	9M	7M	6M	10M

IF YOU NEED FURTHER SUPPORT:

In US & Canada contact
 Support@baratza.com
 or 425-641-1245
 or toll free 877-701-2021

If you think your grinder is not performing correctly, go to our troubleshooting guides at baratza.com/troubleshooting

Outside North America, the warranty is provided by the company you purchased from. For service, find the nearest importer at baratza.com/international-importers-and-retailers

SAFETY INFORMATION:

Please read the information below very carefully. It contains important safety information for this appliance. Keep these instructions for future reference.

- ! Use only with AC current and the correct voltage. See the label on the base of the grinder to determine the correct voltage.
- ! Only clean the grinder housing with a dry or slightly damp cloth. Do not immerse the grinder, plug or cord in water or any other liquid.
- ! Baratza will not accept any liability for damage, injury, or warranty if the grinder is used other than for its intended purpose (i.e. grinding roasted whole coffee beans) or is improperly operated or repaired.
- ! Do not operate the grinder with a damaged cord or plug. If the supply cord is damaged, it must be replaced by the manufacturer, its service agent or similarly qualified persons in order to avoid a hazard.
- ! Keep the appliance and its cord out of reach of children aged less than 8 years.
- ! Do not leave your grinder unattended while turned ON.
- ! This appliance can be used by children aged from 8 years and above and persons with reduced physical, sensory or mental capabilities or lack of experience and knowledge if they have been given supervision or instruction concerning use of the appliance in a safe way and understand the hazards involved.
- ! Cleaning and user maintenance shall not be made by children without supervision.
- ! Always unplug the grinder from the electrical supply before assembling, disassembling or cleaning. To unplug, grasp plug and remove from the outlet. Never pull on the cord.
- ! **CAUTION: ALWAYS unplug the electrical supply cord prior to cleaning the grinder**