

# manual

## linea mini

La Marzocco's linea mini is a handmade, professional-grade espresso machine for the home, reflecting the classic, iconic design in a miniature version. The linea mini, with its stainless steel group for coffee, and a boiler for steam and hot water, is prepared to brew quality shots with freshly ground coffee, coffee capsules or pods as well as tea or other hot beverages.



**la marzocco**

handmade in florence

# linea mini

Operating Manual V1.1 - 04/2015



**la marzocco**

handmade in florence

## Chapters

1. Important Safeguards	page 3
2. General Information	page 5
3. Machine Description	page 8
4. Installation	page 9
5. Operation	page 13
6. Key Features	page 15
7. Preventative Maintenance and Cleaning	page 16
8. Installation Guide	page 18

La Marzocco S.r.l.

Via La Torre 14/H  
Località La Torre  
50038 Scarperia e San Piero  
(Florence) - ITALY

[www.lamarzocco.com](http://www.lamarzocco.com)  
[info@lamarzocco.com](mailto:info@lamarzocco.com)

T: +39 055 849 191  
F: +39 055 849 1990

certifications available:



**WARNING**  
**SAVE THESE INSTRUCTIONS**

### IMPORTANT SAFEGUARDS

When using electrical appliances, basic safety precautions should always be followed, including the following:

1. Read all instructions.
2. Do not touch hot surfaces. Use handles or knobs.
3. To protect against fire, electric shock and injury to persons do not immerse cord, plugs, or electrical parts in water or other liquid.
4. Close supervision is necessary when any appliance is used by or near children.
5. Unplug from outlet when not in use and before cleaning. Allow to cool before putting on or taking off parts, and before cleaning the appliance.
6. Do not operate any appliance with a damaged cord or plug or after the appliance malfunctions, or has been damaged in any manner. Return appliance to the nearest authorized service facility for examination, repair or adjustment.
7. The use of accessory attachments not recommended by the appliance manufacturer may result in fire, electric shock or injury to persons.
8. Do not use outdoors.
9. Do not let cord hang over edge of table or counter, or touch hot surfaces.
10. Do not place on or near a hot gas or electric burner, or in a heated oven.
11. Always attach plug to appliance first, then plug cord into the wall outlet. To disconnect, turn any control

**▲** **WARNING** **▲**  
**SAVE THESE INSTRUCTIONS**

## IMPORTANT SAFEGUARDS

to “off,” then remove plug from wall outlet.

12. Do not use appliance for other than intended use.

13. Save these instructions.

14. Use, cleaning and maintenance of this coffee machine are realized by people (including children more than 8 years of age) with reduced physical, sensory or mental capabilities, or lack of

experience and knowledge, as long as they have been given supervision by a person responsible for their safety and if they understand dangers.

Children should be supervised to ensure that they do not play with the appliance.

Keep the appliance and its cord out of the reach of children less than 8 years of age.

15. The service area is restricted to persons having knowledge and practical experience of the appliance, in particular as far as safety and hygiene are concerned.



## 2. General Information

**▲ WARNING ▲**  
The manufacturer declines any responsibility for any event leading to liability suits whenever grounding has not been completed according to current local, national, and international regulations and electrical codes, or other electrical parts have been connected improperly.

**▲ WARNING ▲**  
Hazardous voltage disconnect from power supply before servicing.

**▲ WARNING ▲**  
The machine must be installed so that qualified technical personnel can easily access it for maintenance.

**▲ WARNING ▲**  
This appliance is not intended for use by persons (including children) with reduced physical, sensory or mental capabilities, or lack of experience and knowledge, unless they have been given supervision or instruction concerning use of the appliance by a person responsible for their safety.

**▲ WARNING ▲**  
In order to prevent cracks or leakage: do not store or install the coffee machine in places where temperature may cause boiler or hydraulic system water freezing.

Espresso coffee machine essentially made up of a brewing group of hot water for espresso coffee and a steam boiler that is able to supply steam and hot water for infusions.

This appliance is intended to be used for household and similar applications such as:

- staff kitchen areas in shops, offices and other working environments;
- farm houses;
- by clients in hotels, motels and other residential-type environments;
- bed & breakfast-type environments.

### About this manual

This operating guide is an integral and essential part of the product and must be supplied to users. Users are asked to read the enclosed warnings and cautions carefully, as they provide valuable information concerning safety during installation, operation, and maintenance.

This manual must be kept in a safe place and be available for consultation to new and experienced users alike.

### Remove machine from packaging

1) Ensure product's integrity by inspecting the packaging, making sure it presents no

signs of damage which might have affected the enclosed machine.

**2)** Check the machine's integrity after having carefully removed the packaging. Packaging (boxes, plastic bags, foam parts and whatever else) must not be left within easy reach of children, due to the potential danger it represents, nor be discarded in the environment.

### Safety instructions

**1)** Check to see that data on the rating plate corresponds to those of the main electrical supply to which the machine will be attached.

This equipment must be installed to comply with applicable federal, state or local plumbing codes.

**2)** The installation must be performed according to local electrical and plumbing codes and regulations. The installation also must comply to the manufacturer's instructions, and must be performed by qualified and authorized personnel.

**3)** Incorrect installation may cause injury/damages to people, animals or objects, for which the manufacturer shall not be held responsible.

**4)** Safe electrical operation of this device will be achieved only when the connection to the power outlet has been completed correctly and in observance of all local, national, and international electrical codes and safety regulations, and particularly by grounding the unit. Make sure grounding has been done properly as it represents a fundamental safety requirement. Ensure qualified personnel check such connection.

**5)** Furthermore, you must ensure that the capacity of the available electrical system is suitable for the maximum power consumption indicated on the espresso machine.

**6)** We do not recommend using adapters, multiple plugs and/or extension cords. If you cannot avoid using them, make sure that they are exclusively of the kind which conforms to local, national, and international electrical codes and safety regulations, being careful not to exceed the power and current ratings indicated on such adapters and extension cords.

**7)** This device must be used exclusively for the functions it has been designed and built for. Any other application is inappropriate and dangerous.

The manufacturer shall not be held

responsible for any damages caused by improper and/or irrational use.

**8)** Using any electrical device requires that certain fundamental rules be observed. In particular:

- do not touch the device with wet or moist hands and feet
- do not use the device while not wearing shoes
- do not use extension cords in bath or shower rooms
- do not unplug the device from the power outlet by pulling on the power supply cable
- do not expose the device to atmospheric agents
- do not allow children or untrained people to use this device

**9)** Before performing any maintenance and/or cleaning operations (other than back-flushing the group), turn the main switch to the "0" position, and disconnect the machine from the electrical network by unplugging the cord or by switching off the relative circuit breaker. For any cleaning operation, follow exclusively the instructions contained in this manual.

**10)** If the machine is operating in a faulty manner or stops working, disconnect it from the electrical network (as described in the preceding point). Do not attempt to repair it. Contact a qualified and authorized professional to perform any repair. Any repair must be performed exclusively by the manufacturer or by an authorized centre using only original parts. Non compliance with the above could compromise the safe operation of the machine.

**11)** In order to avoid dangerous overheating problems, it is recommended that the power supply cable be unfurled completely.

**12)** Do not obstruct air intake and exhaust grilles and, in particular, do not cover the cup warmer tray with cloths or other items.

**13)** The machine's power supply cable must not be replaced by users. In case the power supply cable becomes damaged, shut off the machine and disconnect the machine from the electrical network by unplugging the power cord or switching off the relative circuit breaker and close off the water supply; to replace the power supply cord, contact qualified professionals exclusively.

**14)** These instructions are also available in an alternative format on a website.

### 3. Machine Description

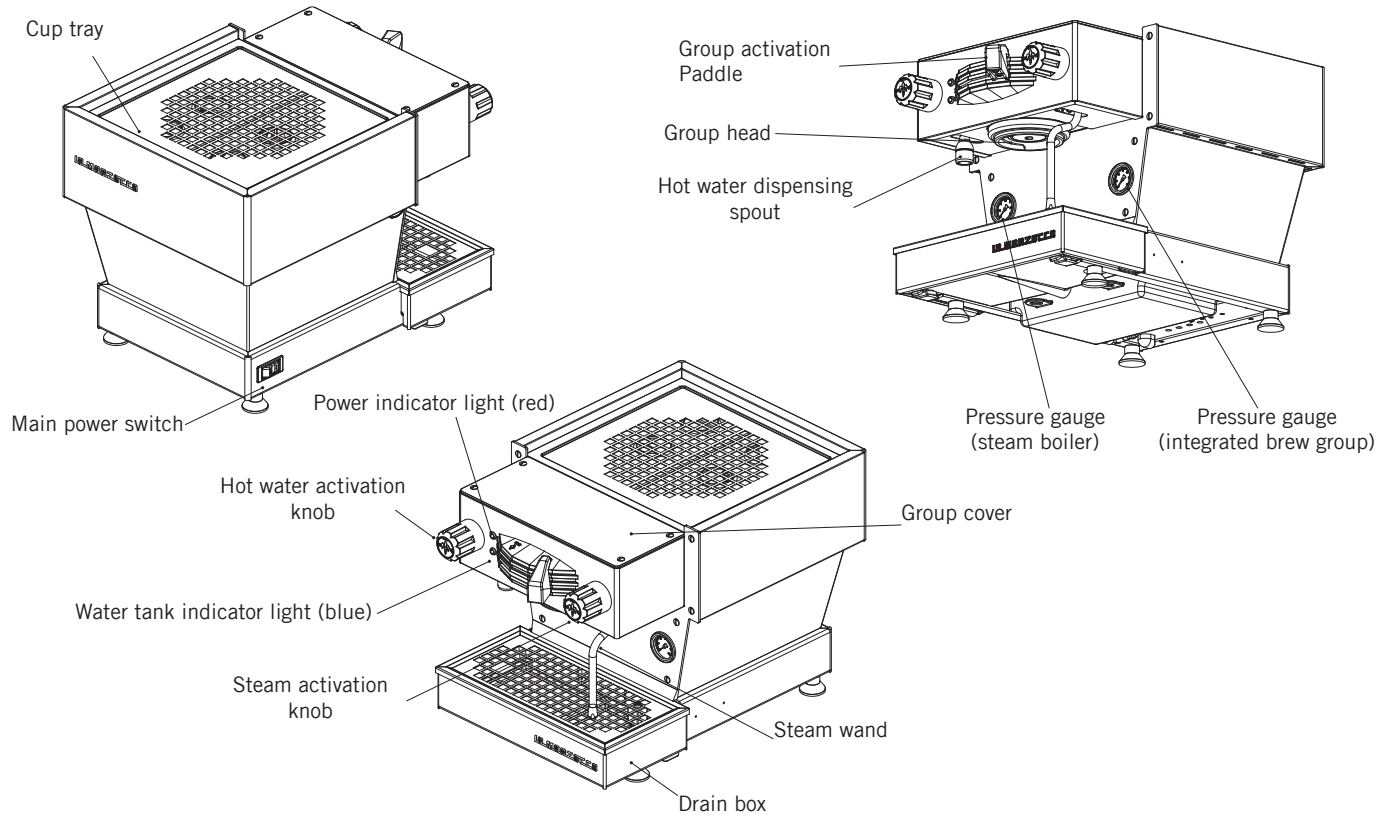


Figure 1 - Machine Description

## 4. Installation

**WARNING**  
The coffee machine must be placed in a horizontal position on a counter higher than 90 cm from the ground.

**WARNING**  
The expansion valve can discharge water as hot as 200°F / 93°C. Adequate protection for handling this component is needed before attempting to adjust.

**WARNING**  
This machine is not suitable for outdoor use.

### Note:

- Minimum room temperature: **5°C/41°F**
- Maximum room temperature: **32°C/89°F**
- The weighted sound pressure level of the machine is lower than 70dBA.

### Espresso machine installation, linea mini

#### 1) Fill water reservoir with potable water.

Once the espresso machine has been unpackaged, placed on a hard surface. Remove the drain tray and slide the water reservoir until the water reservoir fill cover is accessible. Remove the cover and fill water reservoir with potable water. Replace the fill cover and slide the water reservoir to the operating position and replace the drain tray. In order to connect the machine up to the water mains proceed according to the indications given in the Installation Guide and in compliance with any local/national safety standards of the location in which the machine is being installed.

To guarantee a correct and safe functioning of the machine and to maintain an adequate performance level and a high quality of the beverages being brewed it is important that the incoming water be of a hardness greater than 9°f (90ppm, 5°d) and less than 15°f (150ppm, 8.4°d), pH should be between 6.5 and 8.5 and the quantity of chlorides be less than 50mg/l . Respecting these values allows the machine to operate at maximum efficiency. If these parameters are not present, a specific filtration device should be installed, while always adhering to the local national standards in place regarding potable water.

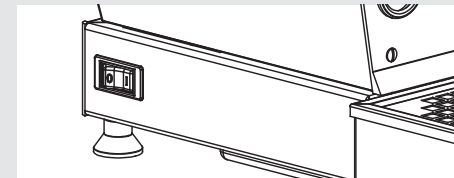
#### 2) Connect espresso machine to power supply.

Connect the espresso machine to a power supply that is rated in accordance with the serial plate on the espresso machine.

#### 3) Filling the boilers with water.

Complete the following steps to properly fill the boiler tanks:

**Steam boiler:** Turn the main switch to position “1”, the steam boiler will then automatically fill to a predetermined level. When the correct water level in the steam boiler is reached, the machine will automatically stop filling.



**NOTE:** It may be necessary to re-fill the water reservoir during this process.

**Integrated brew group:** The water flows inside the Integrated brew group directly when the water pump is activated. When the linea mini is turned on the electronics will activate the water pump to fill both boilers.

#### 4) Verify filling of boilers.

The installation is now complete and the espresso machine should be heating to the operating temperatures.

#### Brewing after first installation

Once the first installation procedures are finished, before proceeding with brewing coffee, hot water and steam, please follow these steps:

- Engage the portafilter by inserting it into the group head and rotate the handle from left to right. Once the portafilter is inserted properly, you can move the paddle on the left side to start the flow of water through the portafilter. Brew water through the group for at least two minutes.
- Being careful to avoid burns, turn on each steam wand for at least one minute.
- Turn on the hot water valve for the time necessary to allow at least 1 liter of water to be brewed.

#### 5) Waiting for the espresso machine to heat to operating temperature.

During this time, the pointer of the Integrated brew group pressure gauge may reach as high as 12 bar. This may happen anytime that the heating element is in the “on” condition. If the pressure exceeds 12 bar then it will be necessary to adjust the

expansion valve in such a manner that the pressure never exceeds 12 bar.

In normal operating conditions, the Integrated brew group pressure gauge can read anywhere from 0-12 bar. When brewing, the pressure should be set to approximately 9 bar.

The machine is ready to brew water when the power indicator light (red) is ON.

When the machine is warming up the power indicator light (red) is flashing.

**NOTE: As the steam boiler reaches operating temperature you may hear air and steam escaping from the boiler. This is a normal sound. As the water boils, air in the boiler is replaced by steam and exits through the vacuum breaker. As the boiler get closer to operating temperature the vacuum breaker closes and the steam is no longer able to escape. This process allows the air in the steam boiler to escape and to be replaced by water vapor.**

#### 6) Machine plate:

Machine CE plate



Machine ETL plate



### 7) Adjusting the expansion valve.

The expansion valve is a component that limits the maximum pressure in the Integrated brew group. Heating the integrated brew group causes the water within to expand. Since the integrated brew group is completely saturated, the expanding water causes an increase in pressure within the boiler. Without a safety device the increase in pressure could cause a rupture in the boiler. The pressure in the integrated brew group should never exceed 12 bar. The valve is hot, so, using adequate protection, rotate the expansion valve clockwise to increase pressure. To decrease pressure, rotate the expansion valve counter clockwise (see the following diagram).

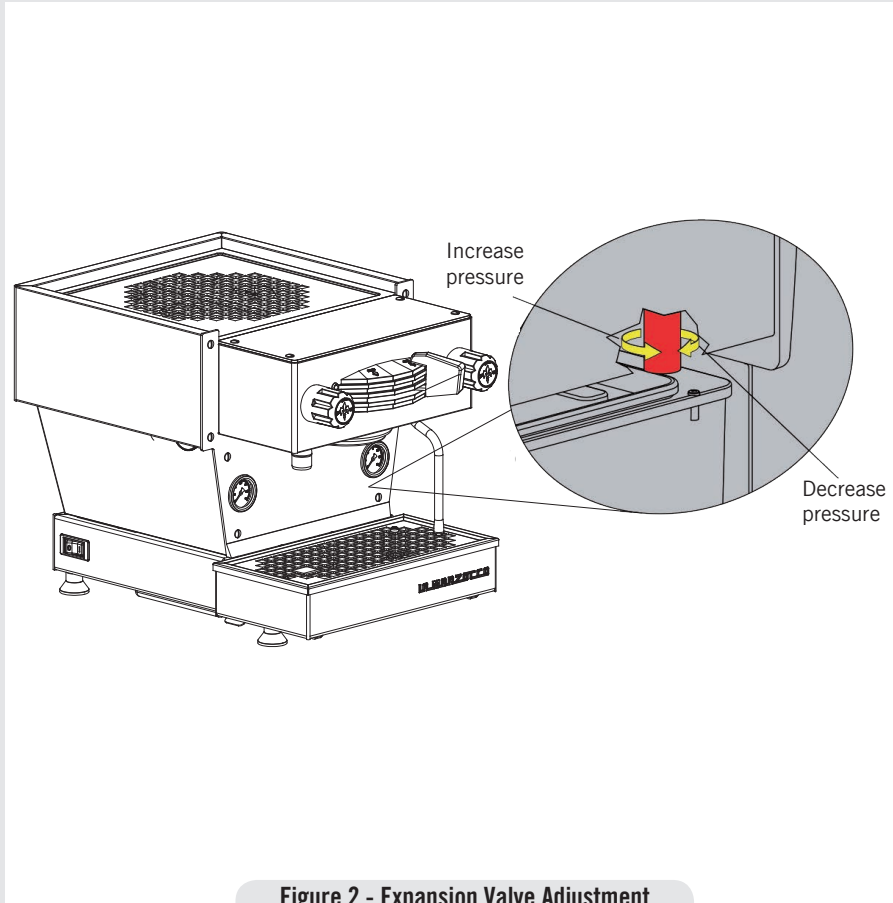


Figure 2 - Expansion Valve Adjustment

### 8) Adjusting water pump pressure.

The water pump is factory set at 9 bar pressure. If it becomes necessary to change the pressure please use the following procedure:

1. Remove the top tray and the lower tray.
2. Locate the water pump adjustment screw and loosen the lock nut.

3. Adjust the water pump pressure to the desired measurement.
4. Rotate clockwise to increase pressure and counter-clockwise to reduce pressure.

**NOTE:** The water pump pressure should be adjusted when the machine is operating and coffee is present in the portafilter.

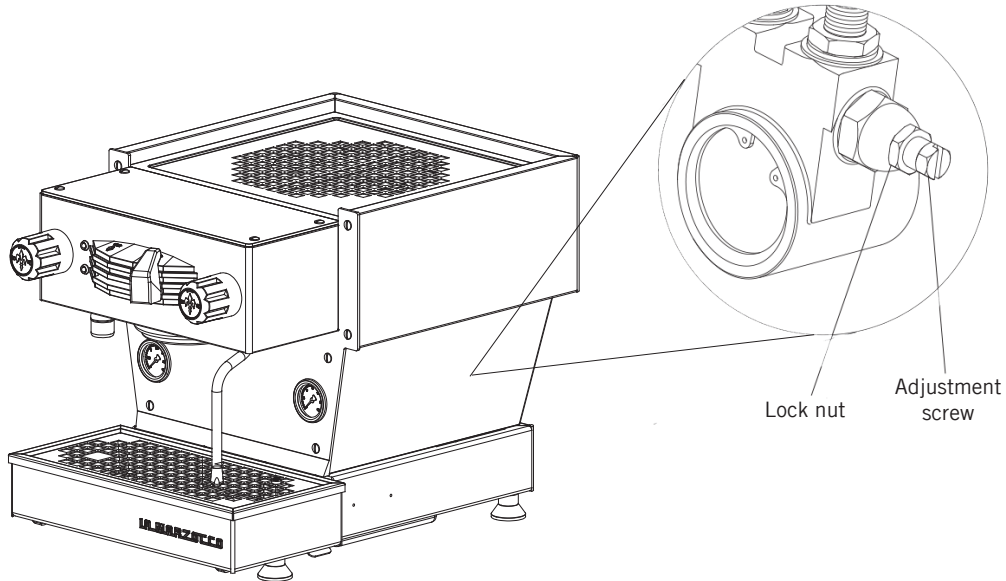


Figure 3 - Water Pump Pressure Adjustment



## 5. Operation

**WARNING**

The integrated brew group and steam boiler contain water at elevated temperature. Water temperature over 125°F / 52°C can cause severe burns instantly or death from scalding (integrated brew group 200°F/93.3°C - steam boiler 260°F / 127°C).

**WARNING**

The machine must not be dipped in, nor splashed with, water in order to clean it. For cleaning operations, please follow the instructions listed below very carefully.

**WARNING**

This machine is designed only for preparing coffee and hot drinks.

### 1. Installing the portafilter.

Install the portafilter by inserting it into the group head and rotate the handle from left to right. Once the portafilter is inserted properly, you can move the paddle handle from right to left to start the flow of water through the portafilter. It is important that the portafilter is at operating temperature prior to filling with coffee.

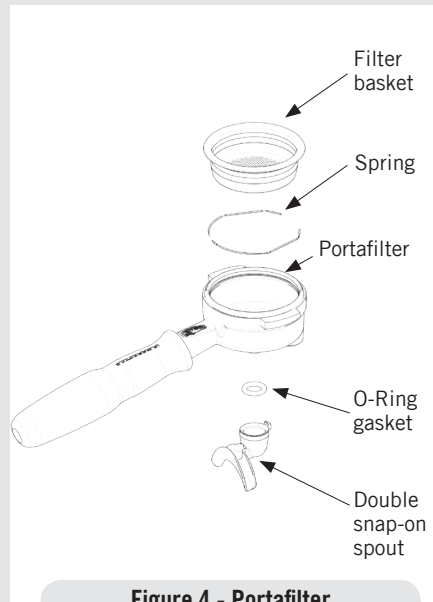


Figure 4 - Portafilter

Allow hot water to pass through the empty portafilter for a few seconds before the brewing process to pre-heat the portafilter.

**NOTE:** It is important to leave the portafilter locked in the espresso machine when not in use. The portafilter must remain heated for the brewing process to function correctly.

**2. Brewing coffee.** It is now possible to remove the portafilter to make a coffee beverage. Place some ground coffee in the portafilter basket using the single or double basket. Press down on the ground coffee with the supplied tamper and install the portafilter on the linea mini. Move the paddle handle from right to left to begin brewing (see Fig.1 page 8).

**NOTE:** Some users believe it is important to allow water to pass through the group head prior to installing the portafilter to flush any remaining coffee oils and particles from the group head. Some also flush just after brewing for the same reason. Please experiment to make the best possible procedure for your coffee. There are many techniques for brewing espresso. You can find instructions for many techniques on websites, blogs and forums. Some are

even monitored by professional baristas around the world.

### 3. Dispensing steam.

In order to allow for any condensed water in the wand to be released ALWAYS allow some steam to be discharged by turning on the valve before inserting the steam wand into the pitcher of liquid to be heated. Dip the steam wand into the liquid to be heated. Rotate the steam knob to activate the steaming process.

The steam valve has a variable flow control. The steam valve will lock in the fully on position only. The steam will transfer heat to the liquid raising its temperature. Be careful not to allow liquid to overflow in order to avoid severe burns.

Steaming milk for cappuccinos and other beverages is very easy but making it just right requires some skill. Please experiment with various techniques to find the best method for your milk. You can find many discussions about the steaming of milk on the internet.

**NOTE:** It is important to have a sufficient volume of liquid in the steaming pitcher. Therefore if you intend to steam small amounts of milk it is necessary to use a small pitcher. If you intend to steam larger quantities of milk then it is necessary to use a larger steaming pitcher. Using too little milk in a steaming pitcher can allow the milk to be “blown out” of the pitcher. A good rule to follow is to fill the steaming pitcher only half full of liquid.

**NOTE:** In order to prevent the heated liquid from being sucked back into the steam boiler it is recommended that you purge the steam system after heating any liquid. Purge the system by opening the steam valve for a few seconds to allow steam to escape to the atmosphere from the end of the steam wand.

### 4. Dispensing hot water.

You may dispense hot water by using the hot water nozzle. To dispense hot water rotate the left knob (see Fig.1 page 8).

This knob commands the hot water delivery.

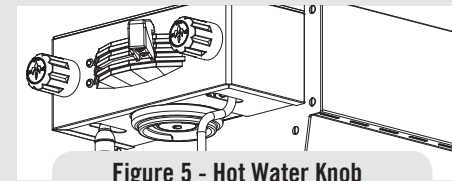


Figure 5 - Hot Water Knob

## 6. Key Features

**WARNING**  
If the above-mentioned instructions are not adhered to the manufacturer cannot be held responsible for damage to persons or things.

### 1. Hot water dispensing.

Hot water may be dispensed from the Hot Water Wand on the left side side of the machine. This is accomplished by rotating the left knob (see Fig.1 page 8).

### 2. General notes for coffee preparation.

The portafilters must remain heated since they are at the lowest position of the group itself, and they are partially isolated from the group due to the rubber gasket between them. This can be accomplished by leaving the portafilters installed in the machine when not in use. The portafilter may also be actively heated by rotating group activation paddle to flush hot water through the portafilter then turning off the water flow.

### 3. Coffee grind.

The size of the coffee granules is extremely important in preparing a good cup of

coffee, along with the type of coffee blend used. The ideal grind can be determined by making various coffees using the amount of ground coffee that you would normally use for each cup (we recommend at least 6g). The best grind is that which allows coffee to flow out from the portafilter spouts neither too slowly, drop by drop, nor too quickly. A general rule is that a double dose should dispense approximately 60ml/ 2 fluid oz. of espresso in approximately 25 seconds. This time may be adjusted by varying the coarseness of the grind.

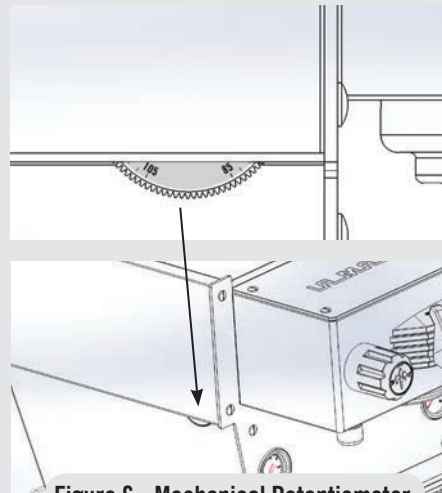


Figure 6 - Mechanical Potentiometer

### N.B.

If the machine has not been used for more than 8 hours or, in any case, after long periods of being idle, in order to use the machine to its full potential it is necessary to perform some cleaning cycles before brewing beverages as follows:

- Groups: with the portafilters engaged in the groups brew water through each for at least two minutes
- Being careful to avoid burns, turn on the steam wand for at least one minute.
- Turn on the hot water valve for the time necessary to allow 1 liter of water to be brewed.
- If using the machine with water reservoir, change the water in the reservoir daily.

If the machine is not going to be used for long periods of time, it is advisable to follow these safety indications:

- Disconnect the machine from the water mains or interrupt the water connection via a mains tap.
- Disconnect the machine from the electrical mains.

## 7. Preventative Maintenance and Cleaning

### WARNING

Jets of water should not be used to clean the machine, nor should it be placed where water jets are used.

### WARNING

Do not remove the filter holder while relative group is brewing hot liquids. The integrated brew group contains water at elevated temperature. Water temperature over 125°F / 52°C can cause severe burns instantly or death from scalding.

### WARNING

The machine must not be dipped in, nor splashed with water in order to clean it. For cleaning operations, please follow the instructions very carefully.

### WARNING

The expansion valve can discharge water as hot as 200°F / 93°C. Adequate protection for handling this component is needed before attempting to adjust.

### WARNING

This machine is designed only for preparing coffee and hot drinks.

### Cleaning (Daily)

#### 1. Cleaning the diffuser screen.

During the discharge operation (subsequent to coffee brewing), small amounts of coffee grounds may slowly build-up on and obstruct, even partially, the diffuser screen. Turn off the machine and remove the diffuser screen by unscrewing the diffuser screw. Soak in detergent powder liquid following the instructions of detergent manufacturer. Rinse thoroughly with clean water. Install and run hot water through the group head several times with the screen installed.

#### 2. Cleaning the brewing system.

Insert the blind filter into to the portafilter and put the correct amount of espresso cleaning product (following the product's instructions) into the filter, engage the portafilter into the group you want to clean.

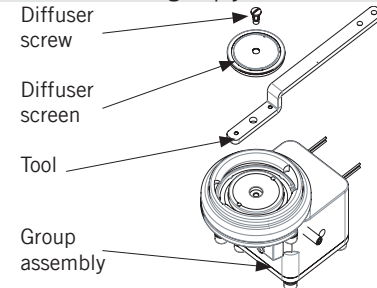


Figure 7 - Integrated Brew Group

- Move the group activation paddle for said group, as if you were making a regular cup of coffee. Stop the water after about 15-20 seconds.
- Start and stop the group several times until you notice clear water being released instead of soapy water when you remove the portafilter. Do not remove the portafilter when group is dispensing water.
- Rinse the group using a normal filter in the portafilter, by running hot water through it several times.

### 3. Cleaning the body.

Wipe the stainless steel surfaces with a soft, non abrasive cloth in the direction of the glazing marks, if any. Do not use any alcohol or solvents whatsoever on painted, imprinted, or plastic parts in order not to damage them. Clean the side panels using a soft cloth. Clean only with a damp soft cloth.

### 4. Cleaning the hot water and steam nozzles.

Steam nozzles must be cleaned immediately after use with a damp cloth and by producing a short burst of steam so as to prevent the formation of deposits inside the nozzles themselves, which may alter the flavor of other drinks to be heated. Hot water nozzles must be cleaned periodically with a damp cloth. If milk residue is present on the steam wand, soak the tip in a container of hot water, then it will be possible to wipe the tip clean. Repeat process if residue remains.

**NOTE:** This cleaning schedule is based upon a moderate to average use (20-300) cups per day. If machine use is less than moderate then this schedule may be adjusted accordingly.

### Cleaning (Periodic)

**1. Draining boilers:** Both the Integrated brew group and the steam boiler may be drained and refilled to reduce the chance of mineral deposits build up on the inside walls of the inside surfaces. Additionally this draining process can be used to remove water that has a bad odor or taste.

**Drain the steam boiler:** Turn OFF the machine. Remove the rear panel assembly. Locate the ball valve on the bottom right side of the machine. Hold the ball valve with one tool and remove the brass cap on the end of the valve. Move the espresso machine close to a waste drain and tip machine at an angle to point the valve into the waste drain.

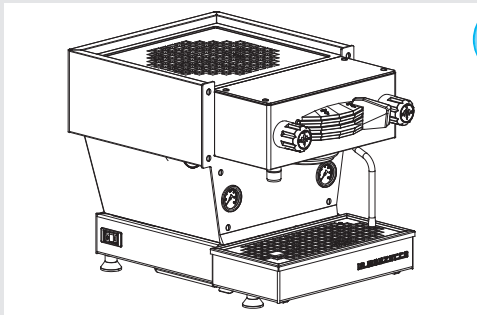
**Drain the Integrated brew group:** Turn OFF the machine. Using adequate protection or an appropriate tool, loosen the expansion valve until water begins to flow freely. Then open the ball valve on the left side.

**2. Clean the water reservoir:** The water reservoir needs to be cleaned periodically to ensure that no algae forms on the inside surfaces. To clean, first remove the water reservoir from the machine. Disconnect the clear plastic water intake hose. Unscrew all screws from the cover to separate the parts. Wash all parts with warm soapy water. All parts are dishwasher safe.

## 8. Installation Guide

---

1. Unpack linea mini Espresso Machine	page 19	7. Adjust the expansion valve	page 23
2. Fill with water (initial fill)	page 19	8. Monitor steam boiler pressure	page 24
3. Drain box alignment	page 20	9 . Brew espresso	page 25
4. Connect to power supply	page 20	10. Verify working boiler pressures	page 25
5. Turn on main power	page 21	11. Coffee boiler temperature	page 26
6. Monitor integrated brew group pressure	page 22	12. Steam boiler temperature	page 26



1

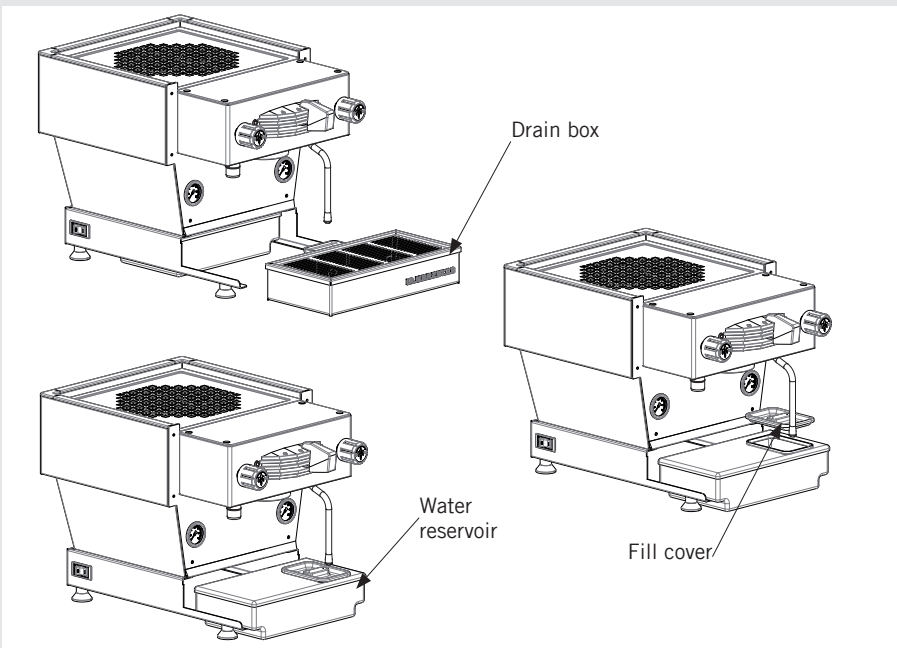
Unpack espresso machine and set on a level surface. Ensure all accessories are included with shipment. Check for any visible damage to espresso machine.

**WARNING**  
The coffee machine must be placed in a horizontal position on a counter higher than 90 cm from the ground.

2

Remove/Open the fill cover and fill the reservoir with filtered water. Slide the reservoir back into position and replace the drain box. Make sure the drain box is inserted fully. The water reservoir must make contact with the level indicators on the rear side.

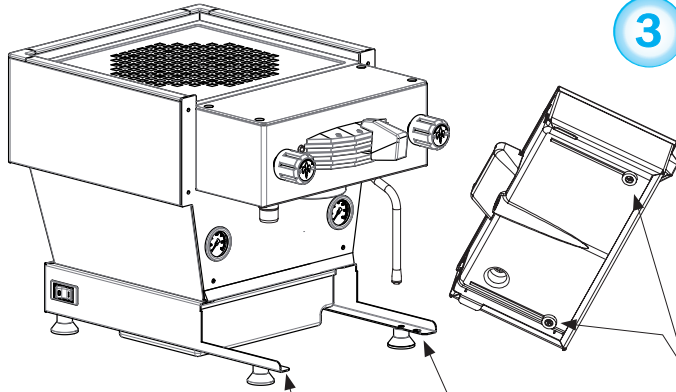
**NOTE:** The linea mini is configured to work with the water reservoir.



Drain box

Water reservoir

Fill cover



**3**

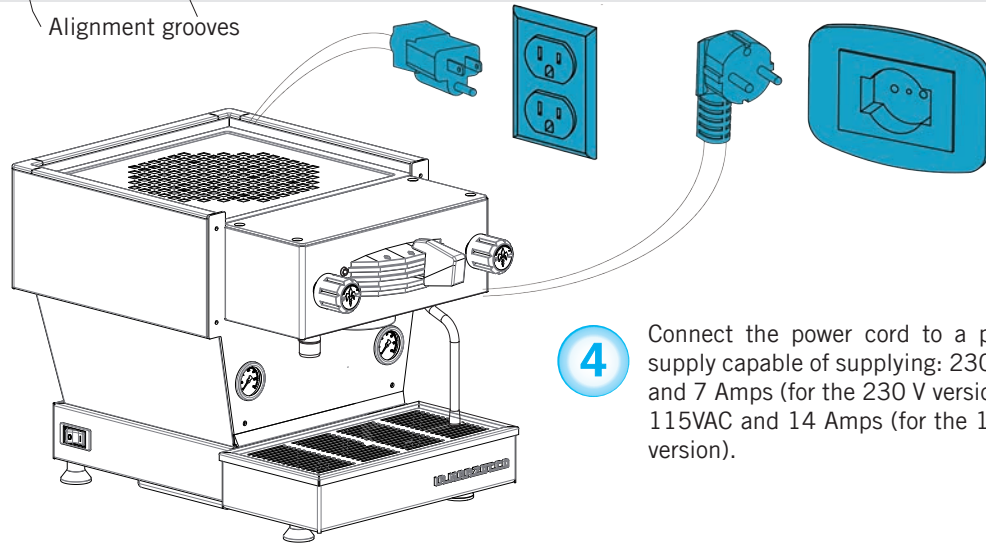
**IMPORTANT NOTE:**

The drain box must be installed correctly for the machine to function properly. The drain box has two magnets that mate with two alignment grooves on the base of the linea mini. When installing the drain box, ensure that the alignment magnets are inserted into the alignment grooves. It may be necessary to push slightly on the front of the drain box to achieve proper alignment.

When the machine is ON and the water tank is full, the water reservoir indicator light (blue) is ON; if the water tank is empty the water reservoir indicator light (blue) is flashing.

Alignment magnets and grooves

Alignment grooves

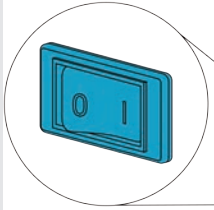


**4**

Connect the power cord to a power supply capable of supplying: 230 VAC and 7 Amps (for the 230 V version) or 115VAC and 14 Amps (for the 115 V version).

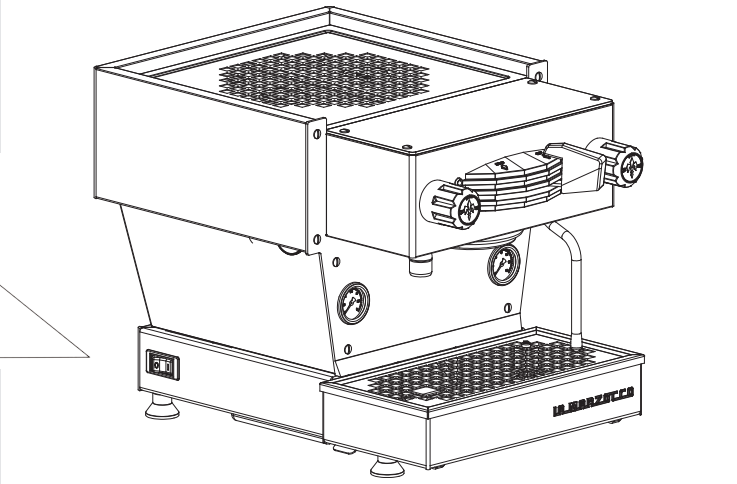


**▲ WARNING ▲**  
The manufacturer declines any responsibility for any event leading to liability suits whenever grounding has not been completed according to current local, national, and international regulations and electrical codes, or if other electrical parts have been connected improperly.

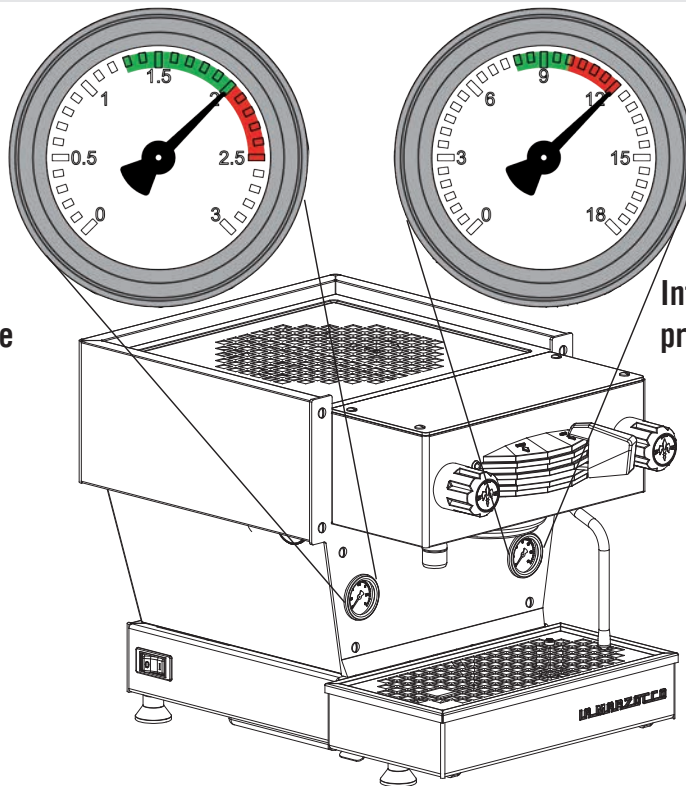


**5**

Turn on power by pressing the main power switch. The main power switch may be found on the left rear of the machine.



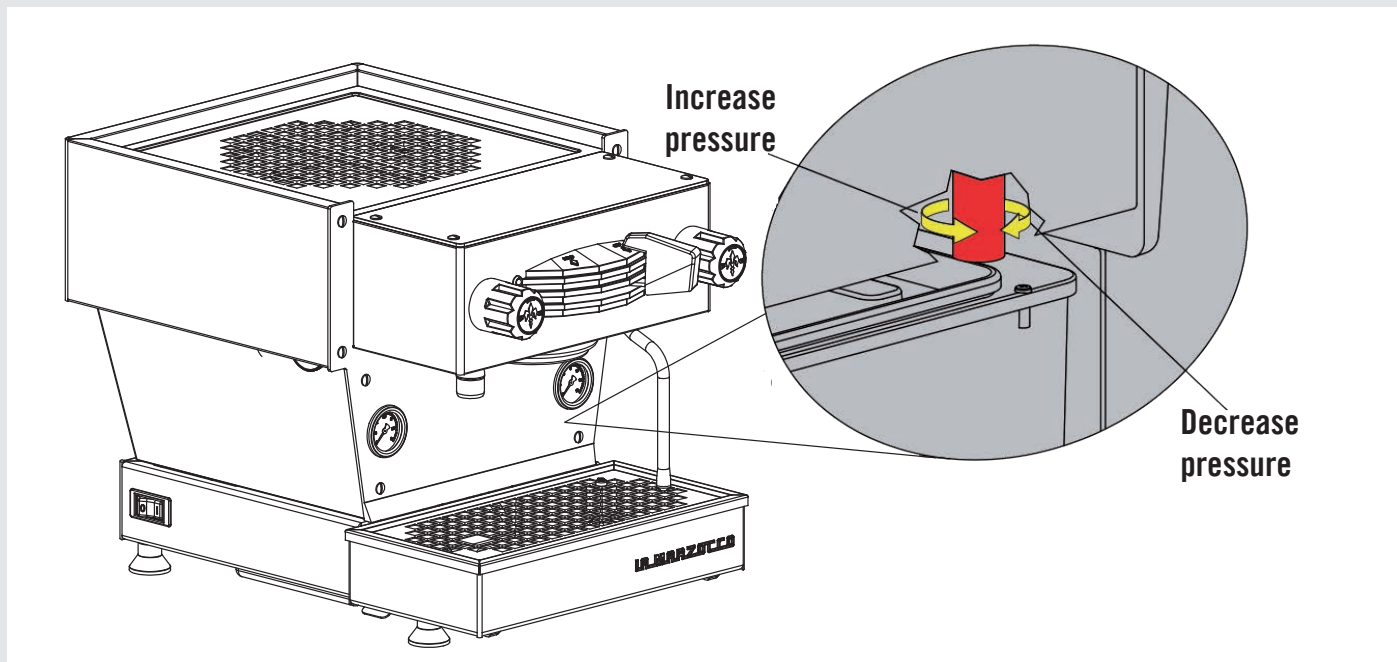
**Steam boiler  
pressure gauge**



**Integrated brew group  
pressure gauge**

**6**

Next it will be necessary to check the expansion valve. As the integrated brew group heats to operating temperature the pressure in the integrated brew group will rise. There is an expansion valve behind the drain tray that allows some water to escape during this process to limit the maximum pressure in the integrated brew group to 12 bar. Please monitor the integrated brew group pressure gauge during the initial heating process. You should notice the gauge approach 12 bar and stop. If the pressure gauge does not reach 12 bar or if the pressure gauge rises above 12 bar, then it will be necessary to adjust the expansion valve. Please follow the next step to properly adjust the expansion valve.

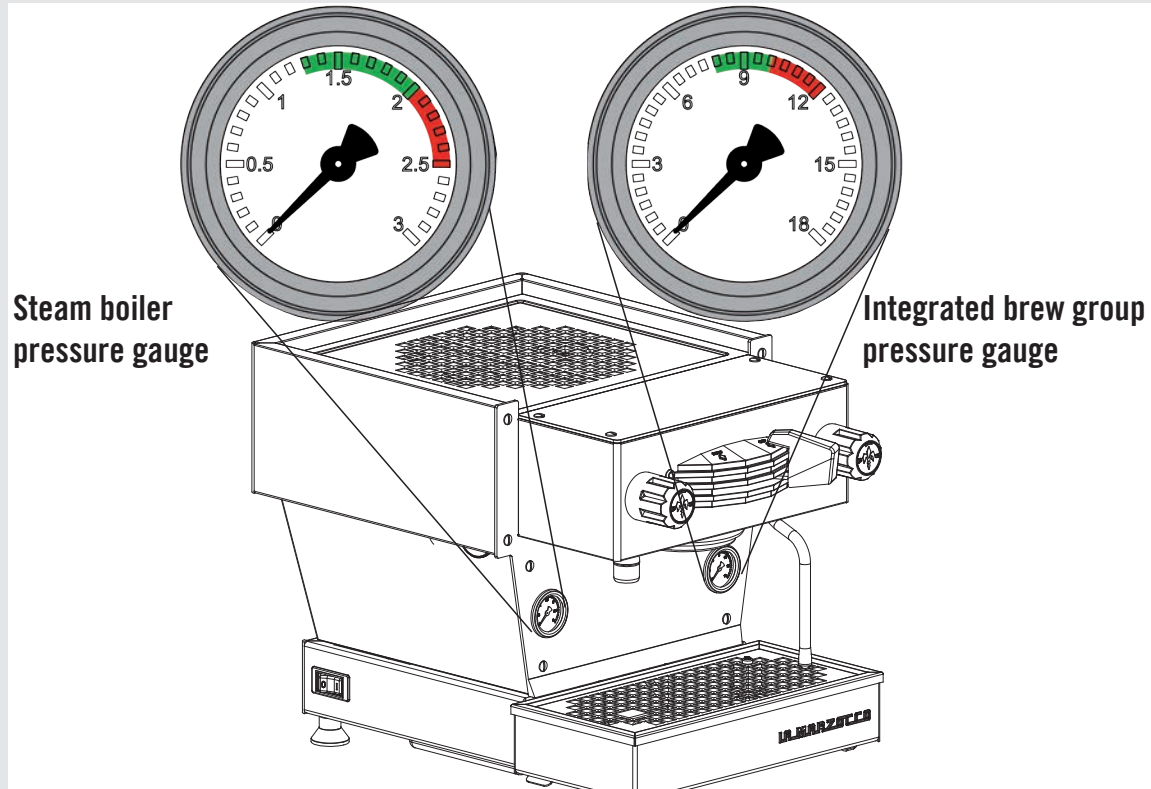


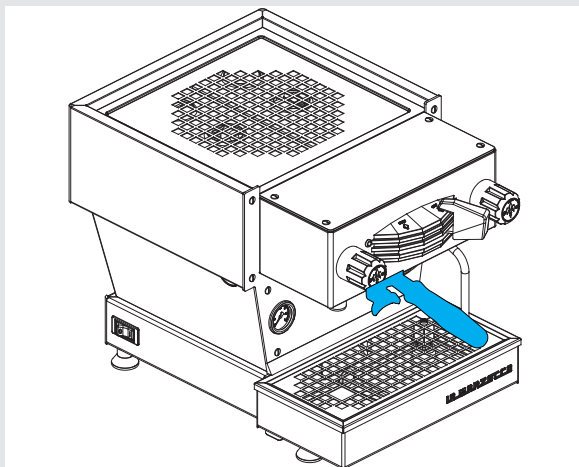
- 7** Please follow this procedure if it is necessary to adjust the expansion valve. First remove the drain box to access the expansion valve. The expansion valve protrudes through the sheet metal, has the shape of a hexagon, is brass in color and 18 mm (tool). The valve will be hot, so, using adequate protection, in order to adjust the expansion valve rotate the valve clockwise to raise the pressure and counter-clockwise to reduce the pressure. It may be necessary to use a spanner to rotate the expansion valve in 1/4 turn or less increments until the desired pressure is achieved. Replace the drain box after each adjustment to ensure the machine is operating correctly.

**▲ WARNING ▲**  
The expansion valve can discharge water as hot as 200°F / 93°C. Adequate protection for handling this component is needed before attempting to adjust.

8

You may also monitor the steam boiler heating progress by watching the steam boiler pressure gauge. The steam boiler is set at approximately 2.0 Bar of pressure at the factory. Once the pressure gauge reaches this point the heating will stop.





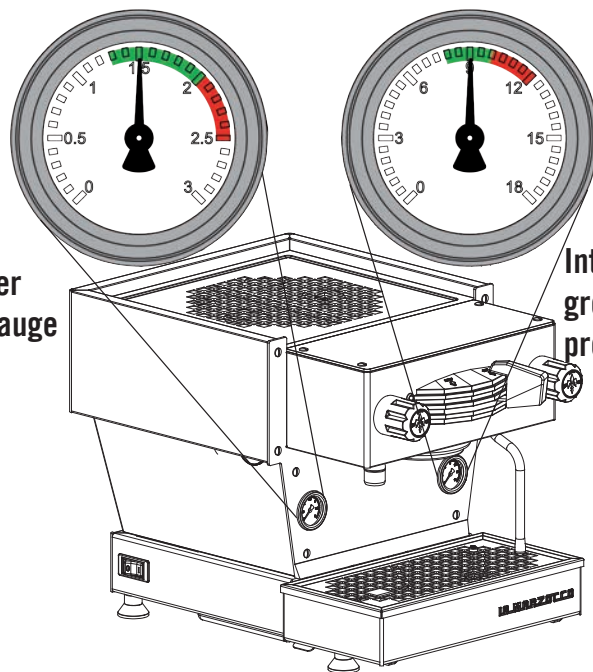
9

When the espresso machine is ready, (red indicator light ON) place ground coffee into the portafilter and activate the brewing process.

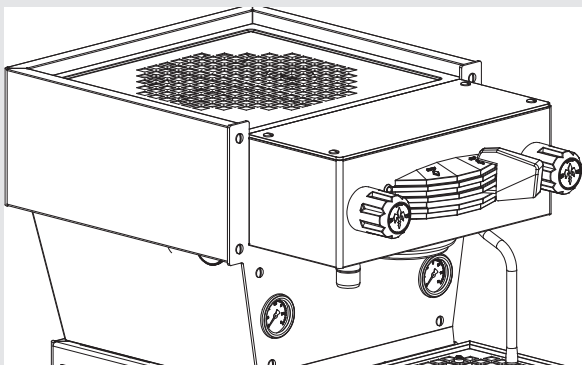
10

When brewing, the integrated brew group pressure should be between 8-10 bar. The steam boiler pressure should be set at 2 bar but can operate at any setting between 1.3 bar and 2 bar.

Steam boiler  
pressure gauge



Integrated brew  
group  
pressure gauge

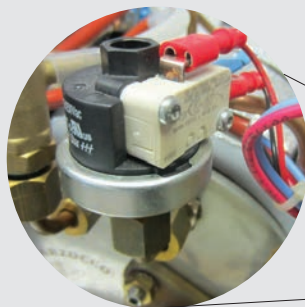


11

This parameter is set at the factory at a preset nominal temperature. The temperature of the brewing water is measured at the most critical point in the integrated brew group where temperature fluctuation is the greatest.

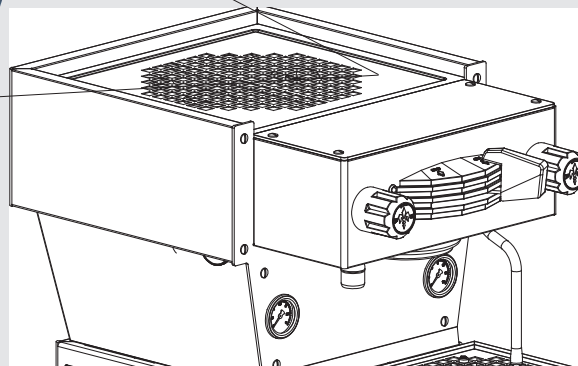
The temperature of the water exiting the group head is held constant by means of the mass of the group casting. Even though the temperature of the water may vary slightly, the temperature of the water exiting the group is constant.

To properly calibrate the temperature of any espresso machine it is important to measure the temperature of the water exiting the group by means of an external temperature measuring device.



12

It is possible to regulate the pressure of the steam boiler by pressure switch.









# manuale

## linea mini

La linea mini La Marzocco è una macchina espresso di qualità professionale per la casa realizzata a mano e rispecchia il design classico di un'icona in miniatura. La linea mini, con il suo gruppo caffè in acciaio inossidabile e la caldaia per il vapore e l'acqua calda, è realizzata per erogare caffè di qualità con caffè fresco in polvere, capsule o cialde così come tè o altre bevande calde.



**la marzocco**

handmade in florence

# linea mini

Manuale d'uso V1.1 - 04/2015



## la marzocco

handmade in florence

## Capitoli

- |                                      |         |
|--------------------------------------|---------|
| 1. Importanti Precauzioni            | pag. 3  |
| 2. Informazioni Generali             | pag. 4  |
| 3. Descrizione della Macchina        | pag. 6  |
| 4. Installazione                     | pag. 7  |
| 5. Funzionamento                     | pag. 11 |
| 6. Caratteristiche Principali        | pag. 13 |
| 7. Manutenzione Preventiva e Pulizia | pag. 14 |
| 8. Guida all'Installazione           | pag. 16 |

La Marzocco S.r.l.

Via La Torre 14/H  
Località La Torre  
50038 Scarperia e San Piero  
(Florence) - ITALY

[www.lamarzocco.com](http://www.lamarzocco.com)  
[info@lamarzocco.com](mailto:info@lamarzocco.com)

T: +39 055 849 191  
F: +39 055 849 1990

certificazioni disponibili:





**ATTENZIONE**



### **CONSERVARE QUESTE ISTRUZIONI**

### **IMPORTANTI PRECAUZIONI**

Quando si utilizzano dispositivi elettrici, devono essere sempre seguite le precauzioni basilari di sicurezza, comprese le seguenti:

1. Leggi tutte le istruzioni.
2. Non toccare le superfici calde. Utilizzare le impugnature e le manopole.
3. Per proteggere le persone contro il fuoco, scariche elettriche e ferite, non immergere in acqua o altri liquidi i cavi, le spine o parti elettriche.
4. E' necessaria una stretta supervisione quando l'apparecchio è utilizzato da bambini o è vicino ad essi.
5. Disconnettere all'esterno quando la macchina non è in uso o prima della pulizia. Lasciare raffreddare prima di inserire o rimuovere componenti, a prima di pulire la macchina.
6. Non utilizzare nessun dispositivo con cavo di alimentazione o spina danneggiati o dopo malfunzionamenti del dispositivo o se è stato danneggiato in qualsiasi modo. Inviare il dispositivo al centro di assistenza autorizzato più vicino per l'analisi, la riparazione o la registrazione.
7. L'utilizzo di accessori non autorizzati dal produttore dell'apparecchiatura possono causare incendi, scariche elettriche o lesioni a persone.
8. Non utilizzare all'aperto.
9. Non lasciare che il cavo penda fuori dal tavolo o dal bancone o tocchi superfici calde.
10. Non posizionare il dispositivo vicino a gas caldi o a bruciatori elettrici o in un forno caldo.
11. Attaccare sempre la spina al dispositivo in primo luogo e poi collegare il cavo di alimentazione alla presa



## ATTENZIONE



# CONSERVARE QUESTE ISTRUZIONI

## IMPORTANTI PRECAUZIONI

del muro. Per disconnettere il dispositivo, posizionare in OFF ogni controllo e poi rimuovere la spina dalla presa della parete.

12. Non utilizzare l'apparecchio per impieghi non previsti.

13. Conservare queste istruzioni.

14. L'utilizzo, la pulizia e la manutenzione della macchina da caffè possono essere effettuate da persone (compresi i bambini solo

se di età superiore agli 8 anni) con ridotte capacità fisiche, sensoriali o mentali oppure prive di esperienza e conoscenze adeguate, purchè siano sorvegliate ed abbiano ricevuto istruzioni sull'uso dell'apparecchio dal responsabile della loro incolumità e se capiscono i pericoli implicati.

I bambini non devono giocare con l'apparecchio.

Tenete la macchina da caffè e il relativo cavo

dell'alimentazione lontano dalla portata di bambini di età inferiore a 8 anni.

15. L'area di servizio è strettamente riservata a persone esperte e che hanno esperienza pratica del dispositivo, in particolare modo per quanto riguarda la sicurezza e l'igiene.

## 2. Informazioni Generali

### ATTENZIONE

La ditta declina ogni responsabilità civile e/o penale qualora l'allacciamento a terra non venga effettuato nel rispetto delle vigenti norme locali, nazionali, ed internazionali così come per l'errato allacciamento delle restanti parti elettriche.

### ATTENZIONE

Tensione pericolosa: scollegare dalla rete elettrica prima di ogni eventuale intervento.

### ATTENZIONE

La macchina deve essere installata in modo tale da permettere al personale tecnico di accedervi facilmente per ogni eventuale intervento di manutenzione.

### ATTENZIONE

La macchina da caffè non deve essere utilizzata da persone (compresi i bambini) con ridotte capacità fisiche, sensoriali o mentali oppure prive di esperienza e conoscenze adeguate, a meno che non siano sorvegliate o non abbiano ricevuto istruzioni sull'uso dell'apparecchio dal responsabile della loro incolumità e se capiscono i pericoli implicati.

### ATTENZIONE

Per evitare rotture o perdite: non riporre o installare la macchina in luoghi dove la temperatura possa causare il congelamento dell'acqua nella caldaia o nel sistema idraulico.

Macchina da caffè espresso costituita essenzialmente da un gruppo erogatore di acqua calda per l'estrazione del caffè espresso e da una caldaia vapore in grado di fornire vapore e acqua calda per infusi.

La macchina da caffè è stata progettata per un uso in ambito domestico e per applicazioni simili, ad esempio:

- zone cucina per il personale all'interno di negozi, uffici e altri ambienti di lavoro;
- case coloniche;
- hotel, motel e altre tipologie di ambienti residenziali a disposizione degli ospiti;
- ambienti di tipo "bed and breakfast".

### Informazioni sul manuale

Questa guida al funzionamento è una parte integrante ed essenziale del prodotto, la quale deve essere fornita a tutti i consumatori. I consumatori sono pregati di leggere attentamente i suggerimenti ivi inclusi, poiché forniscono informazioni importanti riguardanti la sicurezza durante l'installazione, il funzionamento e la manutenzione.

Il presente libretto dovrà essere conservato con cura ed essere disponibile per ogni ulteriore consultazione e per ogni nuovo utilizzatore del prodotto.

### **Rimuovere la macchina dall'imballaggio**

1) Assicurarsi che il prodotto sia integro esaminandone l'imballaggio, verificando che questo non riporti segni di danneggiamento che potrebbero aver coinvolto la macchina al suo interno.

2) Verificare l'integrità della macchina dopo aver rimosso l'imballaggio con cura. L'imballaggio (scatole, buste di plastica, parti in polistirolo, ecc.) Non devono né essere lasciate alla portata dei bambini, poiché rappresenterebbero un pericolo, né disperse nell'ambiente.

### **Istruzioni per la sicurezza**

1) Verificare che i dati riportati sulla targhetta dati del prodotto corrispondano a quelli dell'impianto elettrico a cui sarà collegata la macchina.

Questo apparecchio deve essere installato in modo conforme alle norme applicabili agli impianti idraulici.

2) L'installazione della macchina deve avvenire in base ai codici ed ai regolamenti elettrici e idraulici locali. L'installazione deve inoltre essere effettuata secondo quanto disposto dalle istruzioni del produttore e deve essere effettuata da personale tecnico autorizzato e qualificato.

3) Un'installazione non corretta potrebbe causare danni a persone, animali o cose, per i quali il produttore è esente da ogni responsabilità.

4) Un funzionamento elettrico sicuro di questo apparecchio potrà essere ottenuto solo quando un corretto collegamento alla rete elettrica sarà stato effettuato, in accordo con i codici e i regolamenti di sicurezza locali, nazionali ed internazionali, e in particolar modo quando l'unità sarà stata messa a terra.

Assicurarsi che la messa a terra avvenga in modo corretto, poiché è un elemento fondamentale per la sicurezza. Far controllare la connessione a personale qualificato.

5) Assicurarsi quindi che la capacità del sistema elettrico a disposizione sia adatta al consumo di potenza massima, indicato sulla macchina da caffè.

6) E' sconsigliato l'uso di adattatori, spine multiple e/o prolunghe.

Se non se ne può evitare l'utilizzo, assicurarsi che siano conformi ai codici e ai regolamenti di sicurezza locali, nazionali e internazionali, facendo attenzione a non superare i voltaggi, potenze e assorbimenti

indicati su tali adattatori e prolunghe.

7) Questo apparecchio dovrà essere utilizzato solo per l'uso per il quale è stato espressamente progettato e realizzato. Ogni altro uso è da considerarsi improprio e quindi pericoloso.

Il produttore è esente da ogni responsabilità derivante da un uso improprio ed irrazionale.

8) L'utilizzo di ogni apparecchio elettrico prevede l'osservazione di alcune regole fondamentali.

Nella fattispecie: In particolare:

- evitare di toccare l'apparecchio con mani o piedi bagnati o umidi.
- non utilizzare l'apparecchio se non si indossano calzature
- non utilizzare prolunghe in stanze da bagno
- non rimuovere l'apparecchio dalla presa di corrente tirando il cavo
- non esporre l'apparecchio ad agenti atmosferici
- non permettere a bambini o persone inesperte di utilizzare l'apparecchio

9) Prima di effettuare qualsiasi operazione di manutenzione e/o pulizia (che non siano operazioni di lavaggio del gruppo), mettere l'interruttore su "0" oppure

OFF e staccare la macchina dalla rete elettrica rimuovendo la spina dalla presa o disattivando il circuito tramite il relativo interruttore sull'impianto. Per le operazioni di pulizia seguire solo le istruzioni riportate in questo manuale.

**10)** Se la macchina non funziona correttamente o smette di funzionare, scollegarla dalla rete elettrica (come descritto nel punto precedente). Non tentare di ripararla. Contattare un professionista autorizzato e qualificato per effettuare qualsiasi riparazione. Qualsiasi riparazione deve essere effettuata dal produttore o da un centro autorizzato usando parti originali. In caso contrario si può compromettere il buon funzionamento della macchina.

**11)** Onde evitare pericolosi problemi di surriscaldamento, si raccomanda che il cavo elettrico non sia arrotolato o piegato.

**12)** Non ostruire le griglie di immissione ed emissione aria e non coprire il vassoio scaldatazze con stracci o altri oggetti.

**13)** Il cavo elettrico della macchina non deve essere sostituito dall'utente. Nel caso in cui si danneggi, spegnere la macchina e scollegarla dalla rete elettrica rimuovendo la spina dalla presa o disattivando il circuito tramite il relativo interruttore e chiudere il circuito dell'acqua. Per sostituire il cavo elettrico, contattare esclusivamente professionisti qualificati. scaldatazze con stracci o altri oggetti.

**14)** Queste istruzioni sono disponibili anche sul sito web.



### 3. Descrizione della Macchina

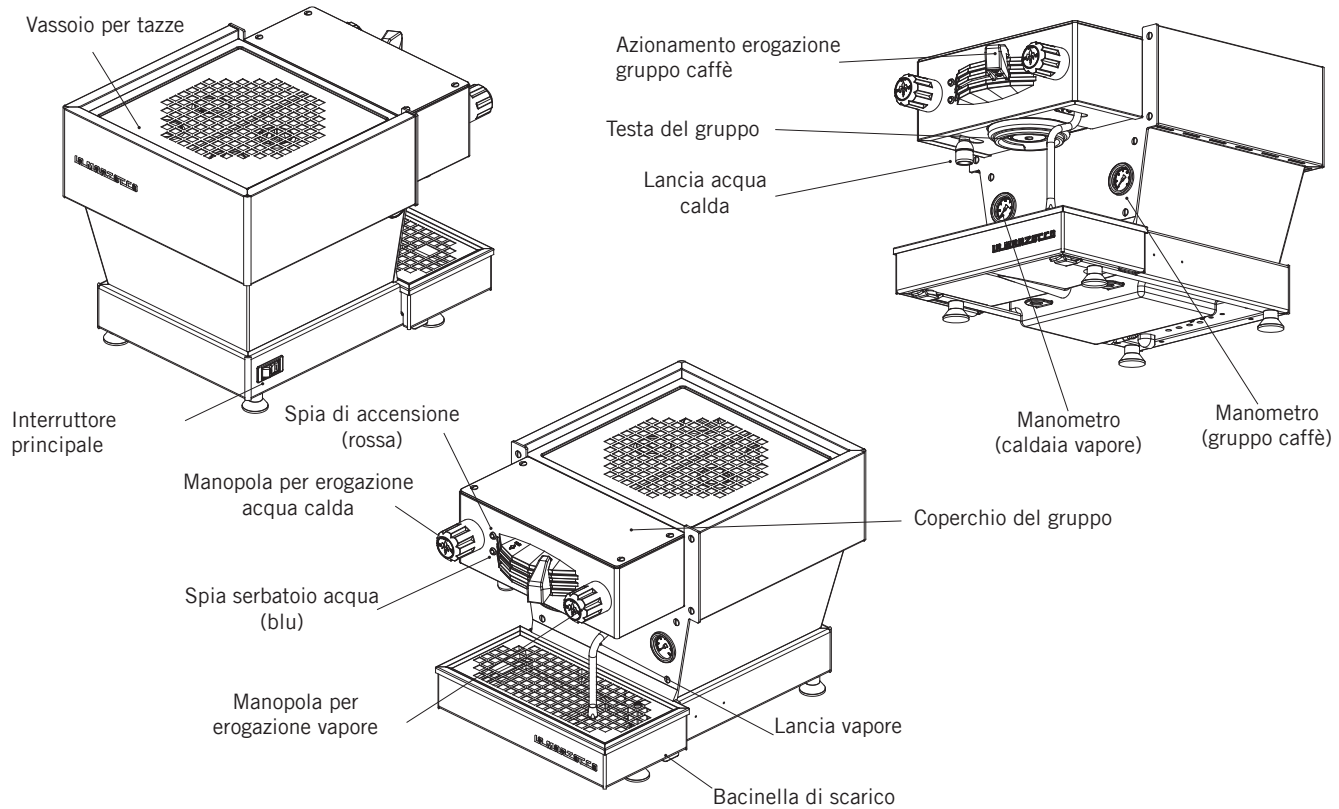


Figura 1 - Descrizione della Macchina



## 4. Installazione

### ▲ ATTENZIONE ▲

La macchina deve essere posta in posizione orizzontale su un bancone ad almeno 90cm da terra.

### ▲ ATTENZIONE ▲

La valvola di espansione è in grado di emettere acqua calda ad una temperatura fino a 200°C / 93°C. per maneggiare questo componente, è necessaria una protezione adeguata prima di poter procedere alla sua regolazione.

### ▲ ATTENZIONE ▲

Non utilizzare questa macchina in ambienti esetrni.

#### Note:

- Temperatura minima: 5°C/41°F
- Temperatura massima: 32°C/89°F
- Il livello di rumorosità della macchina è inferiore a 70dBA

### Installazione della Macchina da Caffè Espresso linea mini

#### 1) Riempire il serbatoio con acqua potabile.

Una volta rimosso l'imballaggio, collocata la macchina su una superficie resistente. Rimuovere la bacinella di scarico e far scorrere il serbatoio dell'acqua fino a che non è possibile rimuovere il coperchio. Rimuovere quindi il coperchio e riempire il serbatoio con acqua potabile. Rimettere il coperchio, riportare il serbatoio nella posizione adatta al funzionamento e reinserire la bacinella di scarico. Per collegare la macchina alla rete idrica procedere seguendo le indicazioni fornite nella Guida all'installazione e nel rispetto degli standard di sicurezza nazionali vigenti nel paese nel quale viene installata la macchina.

Al fine di garantire un sicuro e corretto funzionamento della macchina e per mantenere un adeguato livello di performance e un'elevata qualità delle bevande erogate, è importante che, in relazione all'acqua in entrata, la durezza sia compresa tra 9°f (90ppm, 5°d) e 15°f (150ppm, 8.4°d), che il pH sia compreso tra 6,5 e 8,5 e che la quantità di cloruri sia inferiore a 50mg/l. Il rispetto di questi valori permette alla macchina di operare con la massima efficienza. Qualora

questi parametri non fossero soddisfatti, sarà necessario installare uno specifico dispositivo di filtraggio, sempre nel rispetto degli standard locali vigenti in materia di acqua potabile.

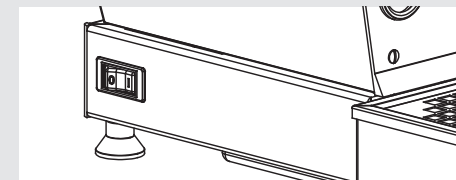
#### 2) Collegare la macchina da caffè espresso alla rete elettrica.

Collegare la macchina da caffè espresso al circuito elettrico, previa verifica che abbia caratteristiche adatte a quelle riportate sull'etichetta della macchina.

#### 3) Riempire le caldaie di acqua.

Eseguire le seguenti operazioni per riempire correttamente le caldaie:

**Caldaia vapore:** portare l'interruttore principale su "I" e la caldaia vapore sarà attivata automaticamente, attivando quindi la valvola per il riempimento e la pompa dell'acqua. Questo permetterà di riempire la caldaia vapore fino ad un livello precedentemente impostato, fermandosi una volta raggiunto il livello.



**ATTENZIONE:** Potrebbe essere necessario aggiungere dell'acqua nel serbatoio durante il processo.

**Gruppo caffè:** l'acqua inizia a entrare nel gruppo caffè appena la pompa dell'acqua viene attivata. Quando la macchina linea mini viene accesa, si attiva la pompa dell'acqua, la quale permette il riempimento di ogni gruppo.

#### 4) Verificare il riempimento delle caldaie.

L'installazione è quindi completa e la macchina da caffè espresso dovrebbe raggiungere le temperature adatte al funzionamento.

#### Erogazione in seguito alla prima installazione

Una volta terminata l'installazione, prima di procedere all'erogazione di caffè, acqua calda e vapore, seguire la procedura seguente:

• Innestare il porta filtro inserendolo nella testa del gruppo e ruotare la maniglia da sinistra verso destra. Dopo aver inserito correttamente il portafiltro, è possibile premere uno dei pulsanti per l'erogazione presenti sulla tastiera per avviare il flusso d'acqua attraverso il porta filtro. Lasciar scorrere l'acqua attraverso il gruppo per almeno due minuti.

• Prestando attenzione a non bruciarsi, 10

azionare l'erogatore di vapore per almeno un minuto.

• Attivare la valvola dell'acqua calda per il tempo necessario all'erogazione di almeno 1 litro di acqua.

#### 5) In attesa che la macchina da caffè espresso si riscaldi e raggiunga la temperatura adatta al funzionamento.

Durante il riscaldamento, potrebbe succedere che la lancetta manometro relativa al gruppo caffè raggiunga i 12 bar. Questo potrebbe succedere ogni volta che la macchina si sta riscaldando.

Se la pressione supera i 12 bar sarà però necessario regolare la valvola di espansione in modo tale che la pressione non superi mai 12 bar.

In condizioni di funzionamento ottimali, la pressione del gruppo caffè può essere qualsiasi, ma compresa tra 0 e 12 bar. Durante le operazioni di erogazione la pressione dovrebbe essere intorno ai 9 bar.

**ATTENZIONE:** quando la caldaia vapore raggiunge la temperatura adatta per il funzionamento è possibile che si senta una fuoriuscita d'aria e vapore dalla caldaia. È un suono normale. Quando l'acqua bolle, l'aria della caldaia è rimpiazzata da vapore e

fuoriesce dalla valvola decompressione.

Quando la caldaia si avvicina alla temperatura di funzionamento la valvola decompressione si chiude e il vapore non riesce più a fuoriuscire. Questo processo permette all'aria nella caldaia fuoriuscire e al vapore di entrare.

#### 6) Targhe macchina:

Targa macchina CE



Targa macchina ETL



### 7) Regolazione della valvola di espansione

La valvola di espansione è un componente che limita la pressione massima all'interno del gruppo caffè. Il riscaldamento del gruppo caffè fa sì che l'acqua al suo interno cerchi di aumentare. Dato che il gruppo caffè è completamente saturo, l'espansione dell'acqua porta quindi ad un aumento della pressione all'interno della caldaia. Senza un dispositivo di sicurezza l'aumento della pressione potrebbe causare una rottura della caldaia. La pressione all'interno del gruppo caffè non dovrebbe mai superare i 12 bar. La temperatura della valvola è molto alta, utilizzare protezioni adeguate. Per aumentare la pressione ruotare la valvola di espansione in senso orario. Per diminuire la pressione ruotare la valvola di espansione in senso antiorario (vedi il diagramma che segue).

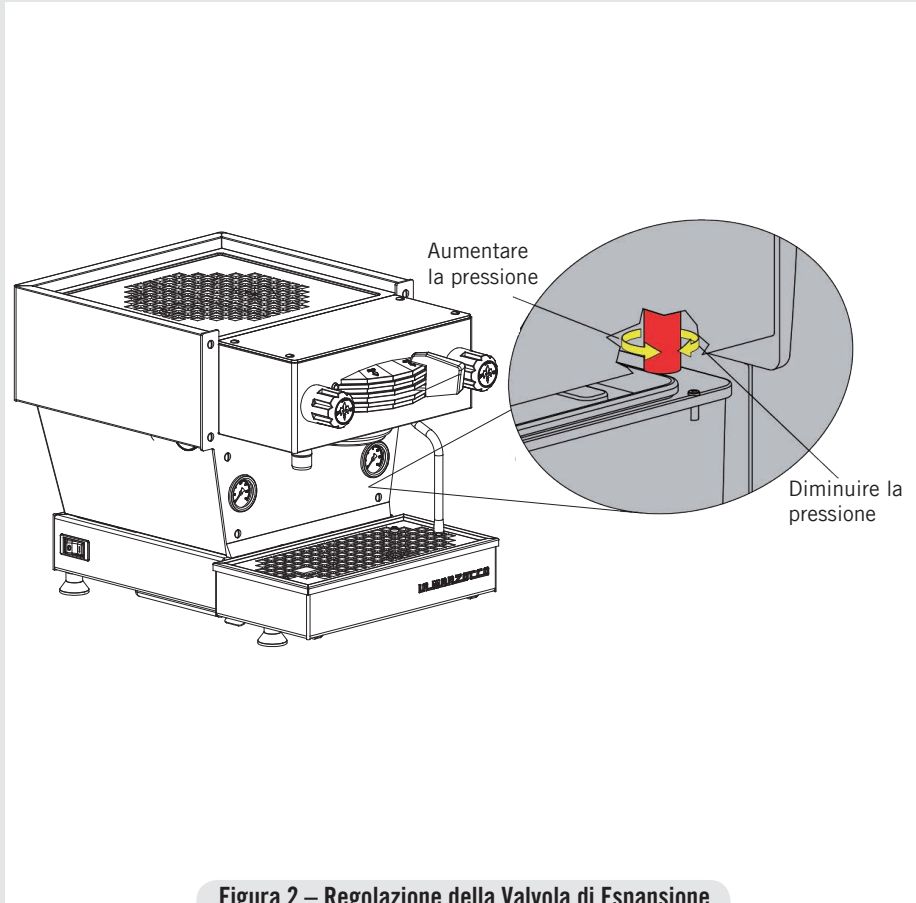


Figura 2 – Regolazione della Valvola di Espansione

### 8) Regolazione della pressione della pompa dell'acqua.

La pompa dell'acqua è regolata dalla fabbrica a 9 bar. Se fosse necessario modificare la pressione ricorrere alla procedura che segue:

1. Rimuovere il vassoio superiore ed il vassoio inferiore.
2. Trovare la vite per la regolazione della pompa dell'acqua e allentare il dado che la blocca.
3. Regolare la pressione della pompa dell'acqua al livello desiderato.
4. Ruotare in senso orario per aumentare la pressione e in senso antiorario per ridurre la pressione.

**ATTENZIONE:** La pressione della pompa dell'acqua deve essere regolata quando la macchina è in erogazione con caffè nel portafiltro.

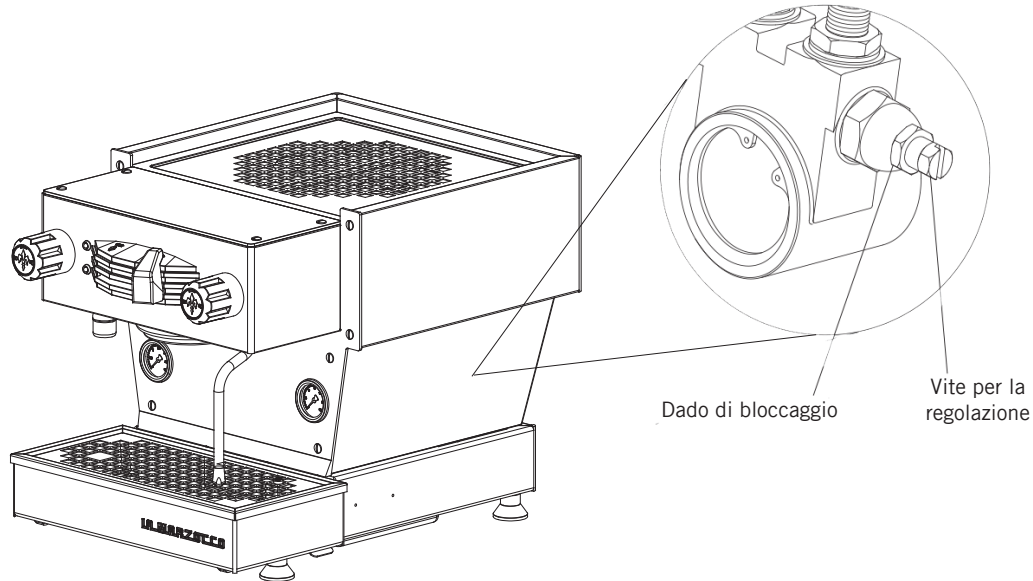


Figura 3 – Regolazione della Pressione della Pompa dell'Acqua

## 5. Funzionamento

### ▲ ATTENZIONE ▲

Le caldaie del caffè e del vapore contengono acqua a temperatura elevata. Una temperatura dell'acqua superiore a 125°F / 52°C può essere causa di gravi ustioni o di morte (gruppo caffè 200°F / 93,3°C - caldaia vapore 260°F / 127°C)

### ▲ ATTENZIONE ▲

Non utilizzare getti d'acqua per pulire la macchina. Non posizionare la macchina in luoghi nei quali vengono utilizzati getti d'acqua. Per le operazioni di pulizia seguire con attenzione queste istruzioni.

### ▲ ATTENZIONE ▲

Questa macchina è progettata solamente per la preparazione di caffè e bevande calde.

### 1. Installare il portafiltro.

Installare il portafiltro inserendolo nel gruppo e ruotare la maniglia da sinistra a destra. Una volta inserito correttamente il portafiltro, spostare la leva da destra a sinistra per avviare il flusso di acqua nel portafiltro.

È importante che il portafiltro raggiunga la temperatura adatta al funzionamento prima di inserire il caffè.

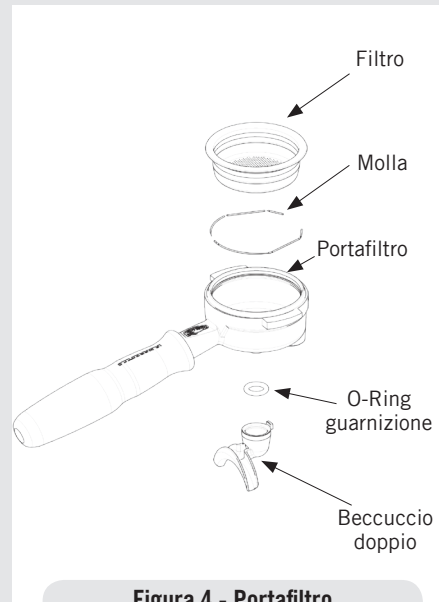


Figura 4 - Portafiltro

Far scorrere l'acqua attraverso il portafiltro vuoto per pochi secondi prima di iniziare il processo di erogazione per preriscaldare il portafiltro.

**ATTENZIONE:** è importante lasciare il portafiltro installato sulla macchina da caffè espresso quando non è in uso. Il portafiltro deve restare caldo poiché il processo di erogazione del caffè avvenga in modo corretto.

**2. Erogazione caffè.** È adesso possibile rimuovere il portafiltro per fare bevande a base di caffè. Mettere del caffè nel filtro utilizzando un filtro singolo o uno doppio. Premere verso il basso con il pressino in dotazione e posizionare il portafiltro sulla linea mini. Azionare la leva paddle indicata a (vedi Fig.1 pagina 8)

**N.B.:** alcuni consumatori ritengono sia importante far passare dell'acqua in uscita dal gruppo prima di installare il portafiltro per eliminare ogni residuo di caffè e altri residui dal gruppo.

Alcuni ripetono l'operazione dopo aver erogato ogni bevanda. Effettuare varie prove per trovare la procedura migliore per il vs. caffè. Ci sono vari metodi per l'erogazione dell'espresso. È possibile

trovare istruzioni sui vari metodi su siti internet, blog e forum. Alcune sono inoltre supervisionate da baristi professionisti in tutto il mondo.

### 3. Erogazione del vapore.

Al fine di far fuoriuscire l'eventuale acqua di condensa presente nell'erogatore, fare uscire SEMPRE un po' di vapore attivando la valvola prima di inserire l'erogatore nel bricco contenente il liquido da riscaldare. Immergere il tubo vapore nel liquido da riscaldare. Abbassare la leva della valvola del vapore per attivare il processo di riscaldamento.

La valvola del vapore ha un controllo del flusso variabile. La valvola del vapore si blocca solo nella posizione completamente aperta.

Il vapore permetterà il riscaldamento del liquido facendone innalzare la temperatura. Fare attenzione che il liquido non fuoriesca per evitare gravi ustioni.

Riscaldare il latte per cappuccino e altre bevande è molto facile, ma farlo nel modo giusto richiede degli accorgimenti. Effettuare vari tentativi per trovare il giusto metodo per montare il latte. È possibile inoltre trovare molte informazioni utili su internet.

**N.B.:** è importante utilizzare il liquido in quantità sufficiente all'interno del bricco. Se volete riscaldare piccole quantità di latte sarà quindi necessario utilizzare un bricco più piccolo. Se si vogliono riscaldare quantità maggiori di latte, utilizzare un bricco più grande.

Mettere piccole quantità di latte in un bricco troppo grosso potrebbe portare il liquido a schizzare fuori dal bricco. Un buon criterio da seguire è quello di riempire il bricco per metà.

**N.B.:** Per evitare che il liquido sia risucchiato all'interno della caldaia vapore si consiglia di spurgare il tubo del vapore dopo aver riscaldato qualsiasi liquido.

Ripulire il tubo aprendo la valvola del vapore per pochi secondi per permettere al vapore di fuoriuscire dall'estremità del tubo vapore.

### 4. Erogazione acqua calda.

Potete erogare acqua calda utilizzando il diffusore dell'acqua calda. Per produrre acqua calda ruotare la manopola di destra (vedi Fig.1 pagina 8).

Questa manopola regola la fuoriuscita di acqua calda.



Figura 5 - Manopola Acqua Calda

## 6. Caratteristiche Principali

**▲ WARNING ▲**  
**In caso di mancato rispetto delle istruzioni riportate sopra, il produttore non potrà essere ritenuto responsabile di eventuali danni a cose o persone.**

### 1. Erogazione di acqua calda.

E' possibile ottenere acqua calda dal diffusore dell'acqua calda sul lato destro della macchina. Questo è possibile ruotando la manopola di destra (vedi Fig.1 pagina 8).

### 2. Informazioni di carattere generale per la preparazione del caffè.

Il portafiltro deve restare caldo poiché si trova nella parte più bassa del gruppo, ed è parzialmente isolato dallo stesso grazie alla guarnizione di gomma che li separa. Per fare ciò lasciare il portafiltro inserito quando la macchina non è in uso. Il portafiltro può inoltre essere riscaldato premendo uno dei pulsanti per l'erogazione, il quale attiva il flusso di acqua calda attraverso il portafiltro, poi spegnendolo.

### 3. Macinatura del caffè.

La granulometria del caffè macinato è molto importante per la preparazione di un buon caffè, oltre alla qualità del caffè utilizzato. La macinazione ideale può essere determinata effettuando vari tentativi, utilizzando la quantità di caffè che utilizzereste normalmente per ogni tazza (si consigliano come minimo 6g). La migliore macinatura è quella che permette al caffè di fuoriuscire dal filtro né troppo lentamente, goccia a goccia, né troppo rapidamente. Un criterio generale è che una dose doppia dovrebbe far fuoriuscire approssimativamente 60ml di espresso in circa 25 secondi.

Questo tempo varia in base al variare della macinatura del chicco.

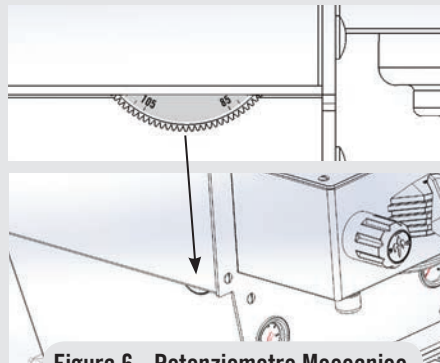


Figura 6 - Potenziometro Meccanico

### N.B.

Se la macchina non viene utilizzata per più di 8 ore, o comunque in seguito a lunghi periodi di inattività, per poterla utilizzare al massimo delle sue potenzialità è necessario eseguire, prima dell'erogazione delle bevande, alcuni cicli di pulizia secondo quanto indicato di seguito:

- Gruppi: con i portafiltri innestati nei gruppi, erogare acqua per almeno due minuti
- Prestando attenzione a non bruciarsi, azionare l'erogatore di vapore per almeno un minuto.
- Attivare la valvola dell'acqua calda per il tempo necessario all'erogazione di 1 litro di acqua.
- Se si utilizza una macchina con serbatoio d'acqua, cambiare l'acqua nel serbatoio ogni giorno.

Se si prevede di non utilizzare la macchina per un lungo periodo, si consiglia di seguire le seguenti indicazioni di sicurezza:

- Scollegare la macchina dalla rete idrica o interrompere il collegamento idrico servendosi del rubinetto della rete.
- Scollegare la macchina dalla rete elettrica.

## 7. Manutenzione Preventiva e Pulizia

### ▲ ATTENZIONE ▲

Non utilizzare getti d'acqua per pulire la macchina. Non posizionare la macchina in luoghi nei quali vengono utilizzati getti d'acqua.

### ▲ ATTENZIONE ▲

Non togliere mai il portafiltro quando il relativo gruppo è in fase di erogazione di liquidi caldi. La caldaia del caffè contiene acqua a temperatura elevata. La temperatura dell'acqua superiore a 125°F / 52°C può causare istantaneamente gravi ustioni o morte per scottature.

### ▲ ATTENZIONE ▲

La macchina non deve essere immersa o bagnata con troppa acqua per pulirla. Per le operazioni di pulizia seguire con attenzione queste istruzioni.

### ▲ ATTENZIONE ▲

La valvola di espansione è in grado di emettere acqua calda ad una temperatura fino a 200°F / 93°C. Per maneggiare questo componente è necessaria una protezione adeguata prima di poter procedere alla sua regolazione.

### ▲ ATTENZIONE ▲

Questa macchina è progettata solamente per la preparazione di caffè e bevande calde.

#### Pulizia (giornaliera)

##### 1. Pulizia della doccetta diffusione acqua.

Durante le operazioni di svuotamento (successive all'erogazione del caffè), piccole quantità di caffè potrebbero accumularsi e ostruire, anche in modo parziale, la doccetta diffusione acqua. Spegner la macchina e rimuovere la doccetta svitando la vite. Seguendo le istruzioni riportate sulla confezione di detergente per macchine da caffè, immergere gli elementi in una soluzione di

acqua e detergente.

Sciacquare con abbondante acqua pulita. Ricollocare ed erogare acqua calda dal gruppo per varie volte con la doccetta montata.

##### 2. Pulizia del circuito di erogazione.

Inserire il filtro cieco nel portafiltro, aggiungere la giusta quantità di prodotto pulente specifico per macchine espresso nel filtro (seguendo le istruzioni del produttore) e innestare il porta filtro nel gruppo che si desidera pulire.

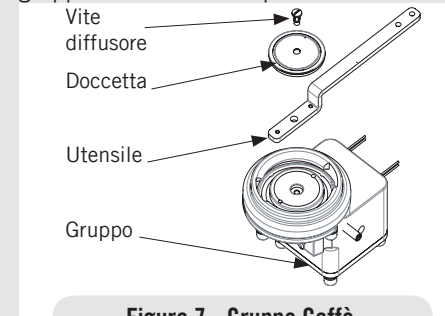


Figura 7 - Gruppo Caffè

- Premere il pulsante di erogazione per quel gruppo come se si stesse preparando una normale tazza di caffè. Interrompere l'erogazione di acqua dopo circa 15-20 secondi.
- Avviare e arrestare il gruppo per alcune



volte finché non verrà erogata acqua pulita e non più saponata alla rimozione del porta- filtro.

Non rimuovere il portafiltro dal gruppo durante l'erogazione dell'acqua.

- Risciacquare il gruppo utilizzando un filtro normale nel portafiltro facendo scorrere acqua calda per alcune volte.

### 3. Pulizia della carrozzeria della macchina.

Passare un panno morbido non abrasivo, nel senso della satinatura, se presente. Non usare alcol o solventi su parti dipinte, marchiate o in plastica perché non si danneggino. Pulire i pannelli laterali utilizzando un panno morbido. Pulire solo con un panno umido.

### 4. Pulizia dei diffusori dell'acqua calda e del vapore.

Il diffusore del vapore deve essere pulito subito dopo esser stato utilizzato con un panno umido e facendo fuoriuscire un piccolo getto di vapore affinché non si formino depositi all'interno del diffusore stesso, che potrebbero alterare il sapore delle bevande successive. Il diffusore dell'acqua calda deve essere pulito periodicamente con un panno umido. Se sono presenti residui di latte sul tubo vapore, immergerne la punta in

un contenitore di acqua calda. Dopo è possibile passare un panno sulla parte pulita. Ripetere il processo se i residui permangono.

**ATTENZIONE:** questa procedura di pulizia è prevista in casi di uso moderato della macchina (20-30) tazze al giorno. Se l'uso della macchina è inferiore, lo schema può essere variato di conseguenza.

### Pulizia (periodica)

**1. Svuotamento caldaie:** Sia il gruppo caffè che la caldaia vapore possono essere svuotate e riempite per ridurre le possibilità di depositi calcarei sulle pareti interne. Questo processo di drenaggio può inoltre essere utilizzato per rimuovere acqua avente un brutto odore o un brutto sapore.

**Scarico della caldaia vapore:** Spegnerne la macchina. Rimuovere il pannello posteriore. Individuare il rubinetto a sfera sul lato inferiore del lato sinistro. Sorreggere il rubinetto con un attrezzo e rimuovere il coperchio in ottone all'estremità del rubinetto. Spostare la macchina da caffè vicino ad uno scarico e inclinare la macchina da un lato indirizzando la valvola verso lo scarico.

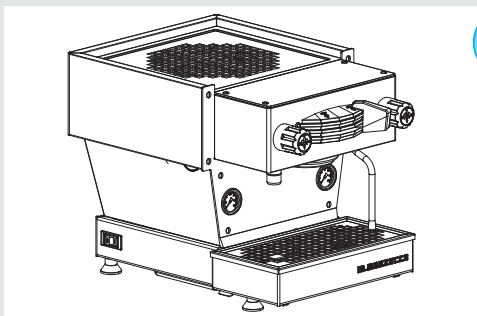
**Scarico del gruppo caffè:** Spegnerne la macchina. Utilizzando una protezione adeguata o uno strumento idoneo, allentare la valvola di espansione fino a che l'acqua non inizi a scorrere liberamente. Allora aprire il rubinetto a sfera sul lato sinistro.

**2. Pulizia del serbatoio di acqua:** Il serbatoio dell'acqua deve essere pulito periodicamente per evitare la formazione di alghe sulle pareti interne. Per prima cosa, rimuovere il serbatoio dalla macchina staccando il tubo di plastica trasparente. Svitare tutte le viti dal coperchio per separare le varie parti del serbatoio. Lavare ciascuna delle parti con acqua contenente un po' di detersivo. Tutti i componenti possono essere lavati in lavastoviglie.

## 8. Guida all'Installazione

---

- |   |         |  |         |
|---|---------|--|---------|
| 1. Rimozione dell'imballaggio della Macchina da Caffè Espresso linea mini | pag. 19 | 7. Regolazione della valvola di espansione           | pag. 23 |
| 2. Riempimento con acqua (riempimento iniziale)                           | pag. 19 | 8. Monitoraggio della pressione caldaia vapore       | pag. 24 |
| 3. Posizionamento bacinella di scarico                                    | pag. 20 | 9. Erogazione dell'espresso                          | pag. 25 |
| 4. Collegamento all'impianto elettrico                                    | pag. 20 | 10. Verifica della pressione di lavoro della caldaia | pag. 25 |
| 5. Accensione dell'interruttore principale                                | pag. 21 | 11. Temperatura gruppo caffè                         | pag. 26 |
| 6. Monitoraggio della pressione del gruppo caffè                          | pag. 22 | 12. Temperatura caldaia vapore                       | pag. 26 |



1

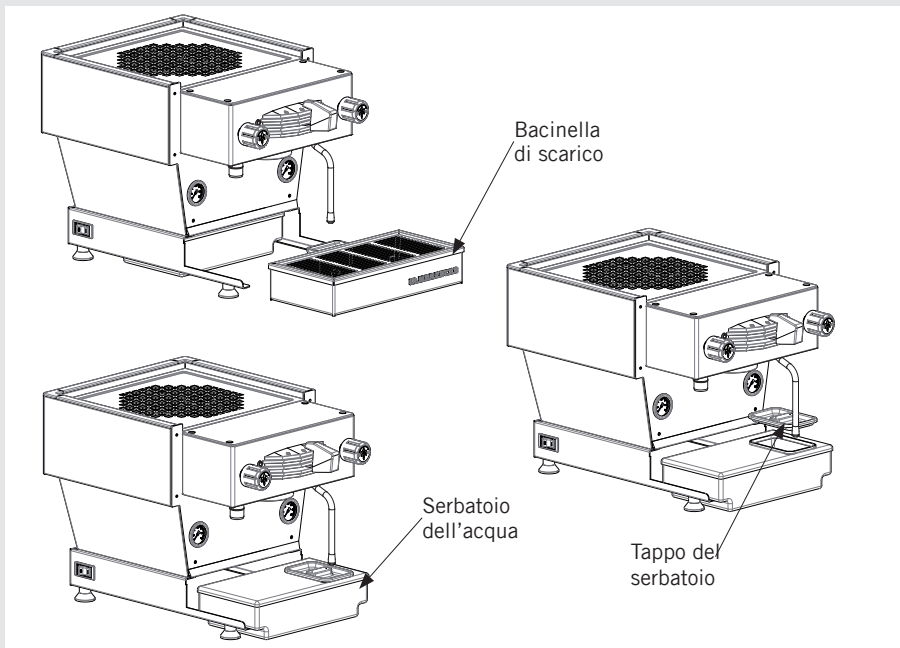
Rimuovere l'imballaggio della macchina da caffè espresso e collocarla su una superficie piana. Assicurarsi che gli accessori siano inclusi nella scatola. Verificare che non ci siano danni evidenti alla macchina.

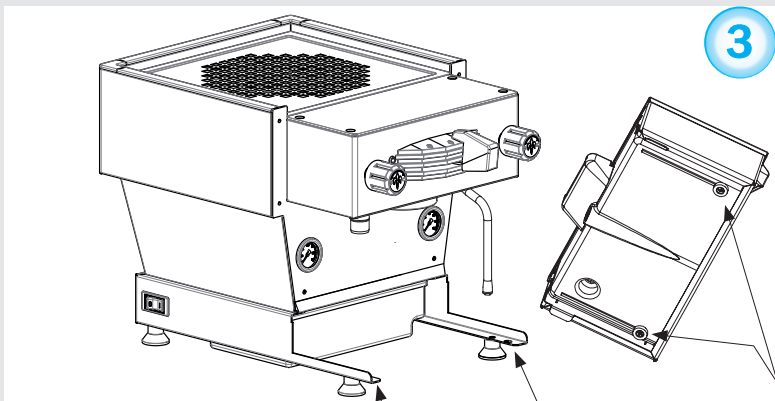
**ATTENZIONE**  
La macchina deve essere posta in posizione orizzontale su un banone ad almeno 90cm da terra.

2

Rimuovere/aprire il tappo del serbatoio e riempire il serbatoio con acqua depurata. Far scorrere il serbatoio nella posizione corretta e riporre la bacinella di scarico. Assicurarsi che la bacinella di scarico sia inserita correttamente. Il serbatoio dell'acqua deve essere in contatto con gli indicatori di livello sulla parte posteriore.

**ATTENZIONE:** la linea mini è configurata per funzionare con il serbatoio dell'acqua.





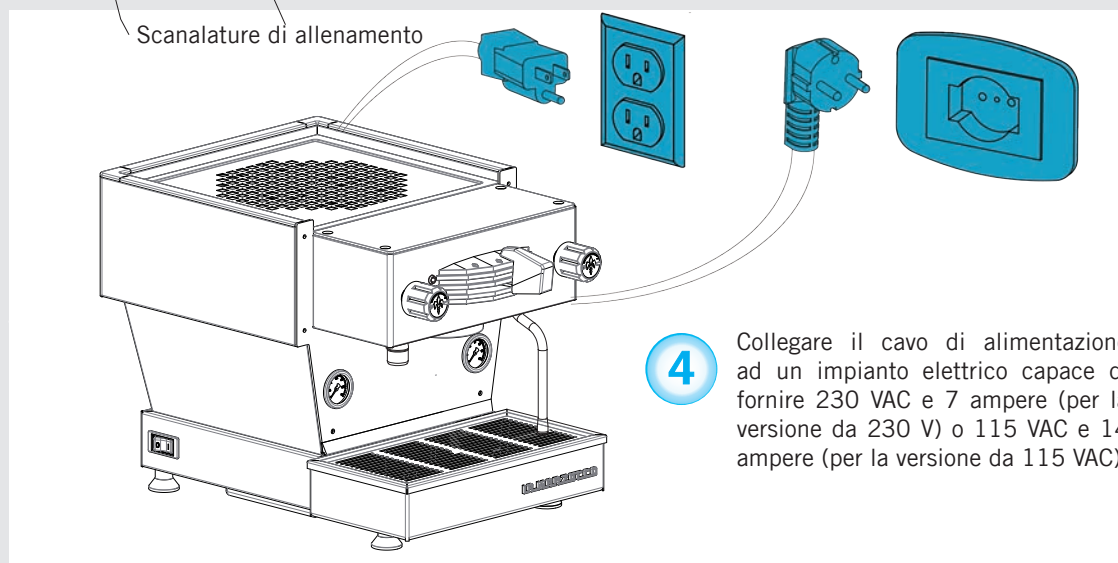
**3**

**NOTA BENE:**

La bacinella di scarico deve essere installata correttamente per un corretto funzionamento della macchina. La bacinella di scarico ha due magneti di allineamento che corrispondono a due sedi di allineamento sulla base della linea mini. Durante l'installazione della bacinella di scarico, assicurarsi che i due magneti siano allineati alle sedi. Quando la macchina per espresso è accesa ed il serbatoio dell'acqua è pieno la spia (blu) è accesa; se il serbatoio dell'acqua è vuoto la spia (blu) lampeggia.

magneti di allineamento

Scanalature di allineamento



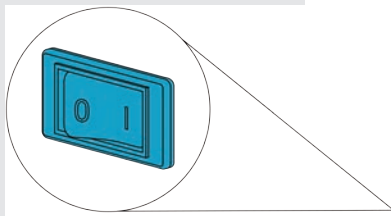
**4**

Collegare il cavo di alimentazione ad un impianto elettrico capace di fornire 230 VAC e 7 ampere (per la versione da 230 V) o 115 VAC e 14 ampere (per la versione da 115 VAC).



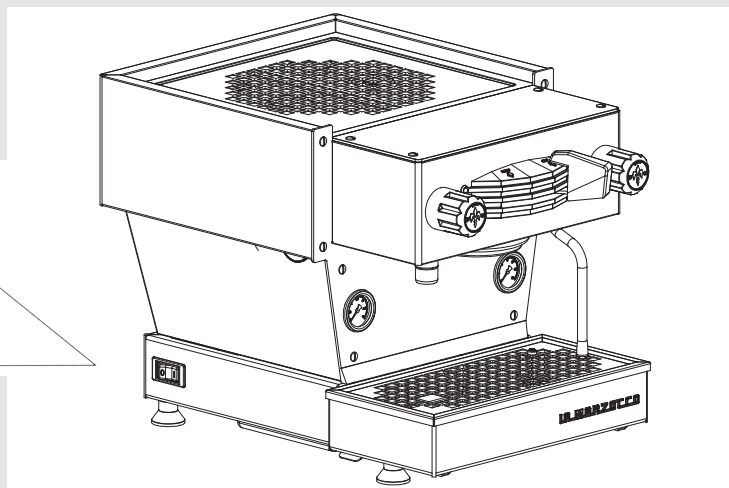
▲ **ATTENZIONE** ▲

La ditta declina ogni responsabilità civile e/o penale qualora l'allacciamento a terra non venga effettuato nel rispetto delle vigenti norme locali, nazionali, ed internazionali così come per l'errato allacciamento delle restanti parti elettriche.

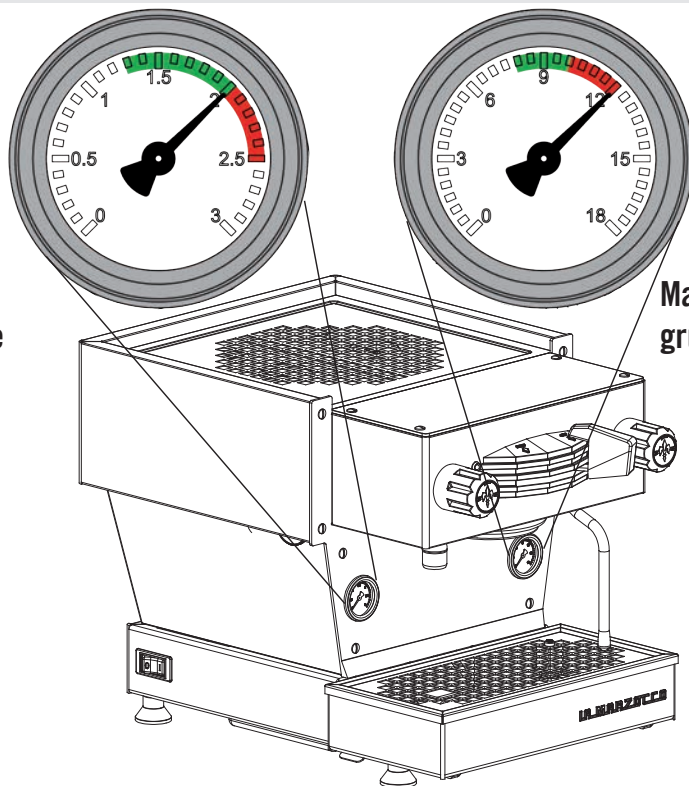


**5**

Accendere l'alimentazione utilizzando l'interruttore principale, il quale si trova nella parte posteriore sinistra della macchina.



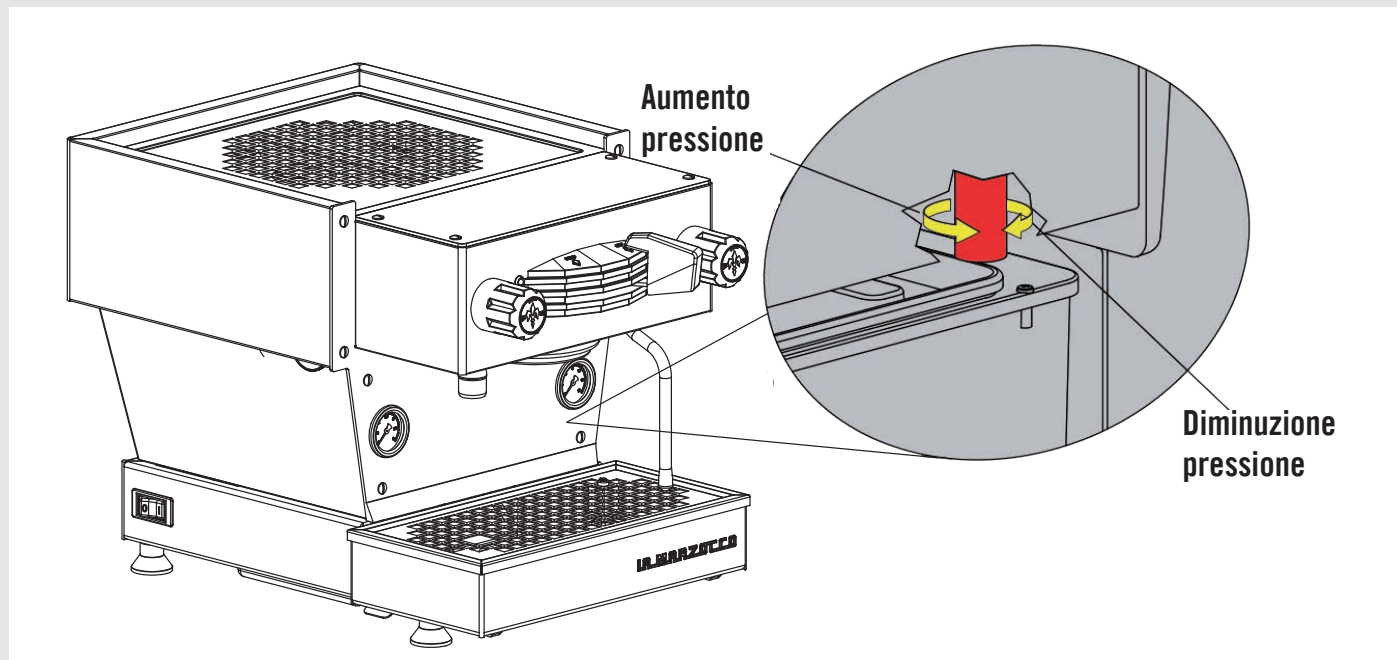
**Manometro  
caldaia vapore**



**Manometro  
gruppo caffè**

**6**

Sarà quindi necessario controllare la valvola di espansione. Quando il gruppo caffè si riscalda fino a raggiungere la temperatura adatta al funzionamento, la pressione del gruppo caffè si alza. C'è una valvola di espansione dietro il vassoio di scarico che permette a una piccola quantità di acqua di fuoriuscire durante questo processo per far sì che la pressione massima all'interno del gruppo caffè resti entro i 12 bar. Controllare il manometro del gruppo caffè durante la fase iniziale del processo. Si dovrebbe notare che la valvola raggiunge le 12 bar e quindi si ferma. Se la valvola non raggiunge i 12 bar o se la pressione sorpassa i 12 bar, sarà allora necessario regolare la valvola di espansione. Seguire attentamente il prossimo punto per regolare correttamente la valvola.

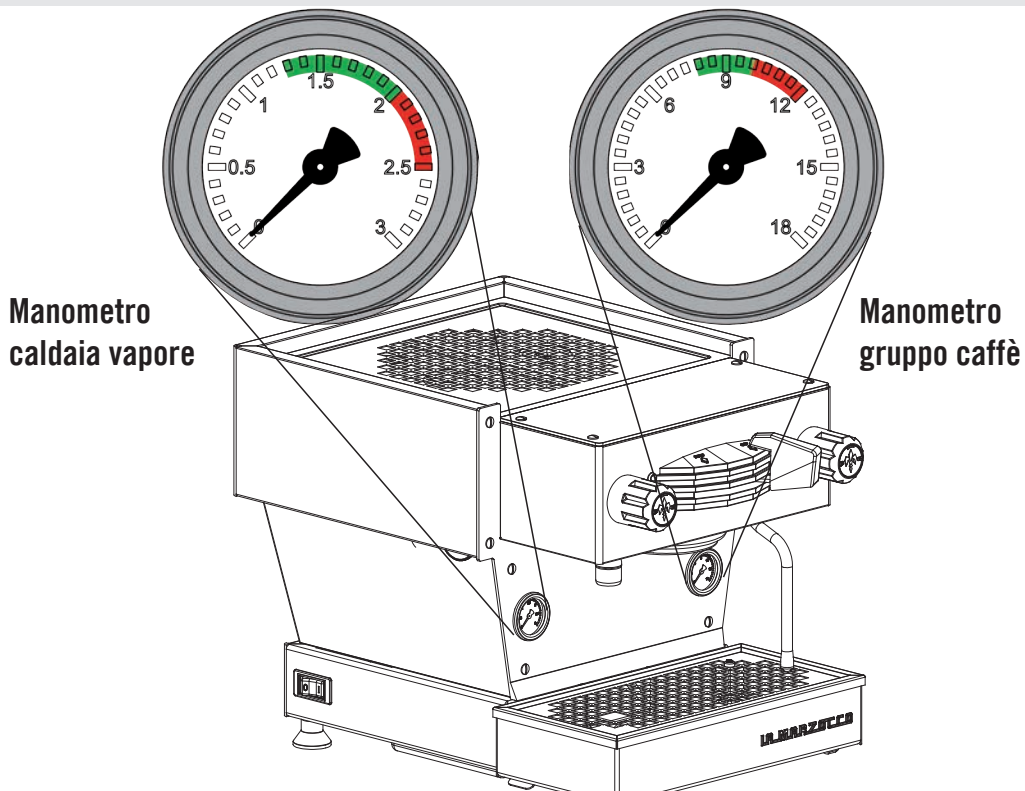


- 7** Seguire la seguente procedura se fosse necessario regolare la valvola di espansione. Per prima cosa rimuovere la bacinella di scarico per avere accesso alla valvola di espansione. Questa fuoriesce dal pannello di metallo, ha forma esagonale, è di color ottone e chiave da 18 mm. La temperatura della valvola è molto alta, utilizzare protezioni adeguate. Per regolare la valvola di espansione ruotare la valvola in senso orario per alzare la pressione e in senso anti orario per diminuirla. Potrebbe essere necessario utilizzare un attrezzo, come ad esempio un paio di pinze, per ruotare la valvola di espansione. Regolare con incrementi/decrementi di un quarto di giro o meno fino a che non si raggiunga la pressione desiderata. Riposizionare la bacinella di scarico dopo ogni operazione di regolazione per assicurarsi che la macchina funzioni correttamente.

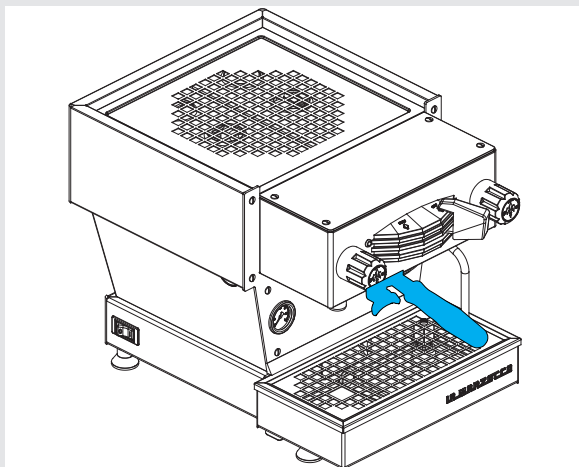
**ATTENZIONE**  
La valvola di espansione è in grado di emettere acqua calda ad una temperatura fino a 200°F / 93°C. Per maneggiare questo componente è necessaria una protezione adeguata prima di poter procedere alla sua regolazione.

8

È inoltre possibile monitorare il processo di riscaldamento della caldaia vapore osservando il manometro del suddetto. La caldaia vapore ha una pressione predefinita in fabbrica di 2.0 bar circa. Una volta che il manometro raggiunge questa pressione, il processo di riscaldamento si interrompe.







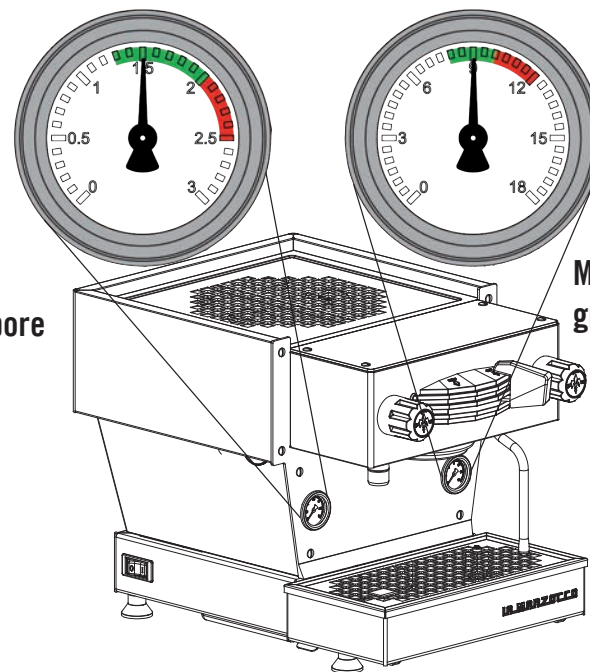
9

Quando la macchina è pronta, (spia rossa accesa) mettere il caffè nel portafiltro e attivare il processo di erogazione. Per ulteriori informazioni relative al funzionamento della macchina consultare il manuale d'uso.

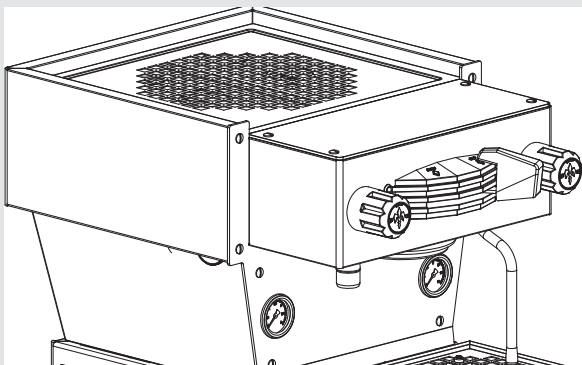
10

Durante l'erogazione, la pressione del gruppo caffè dovrebbe essere tra gli 8 e i 10 bar. La pressione della caldaia vapore dovrebbe essere impostata sui 2 bar ma la macchina può funzionare con qualsiasi settaggio tra 1.3 e 2 bar.

Manometro  
caldaia vapore



Manometro  
gruppo caffè



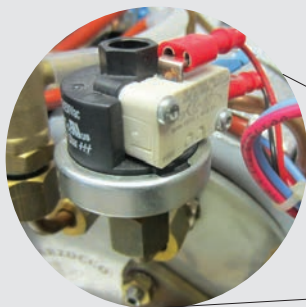
11

Questo parametro è impostato in fabbrica ad una temperatura nominale preimpostata.

La temperatura della caldaia viene misurata nel punto più critico della stessa dove la fluttuazione di temperatura è maggiore.

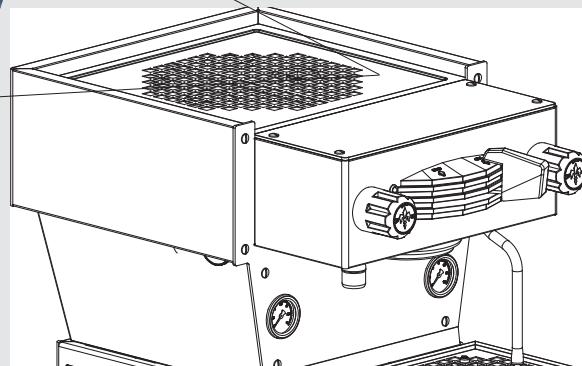
La temperatura dell'acqua presente all'interno della testa del gruppo viene mantenuta costante dalla massa del gruppo. Sebbene la temperatura della caldaia possa variare leggermente, quella dell'acqua all'interno del gruppo è costante.

Per calibrare correttamente la temperatura di ciascun espresso, è importante misurare la temperatura dell'acqua all'interno del gruppo servendosi di un dispositivo esterno per la misurazione della temperatura.

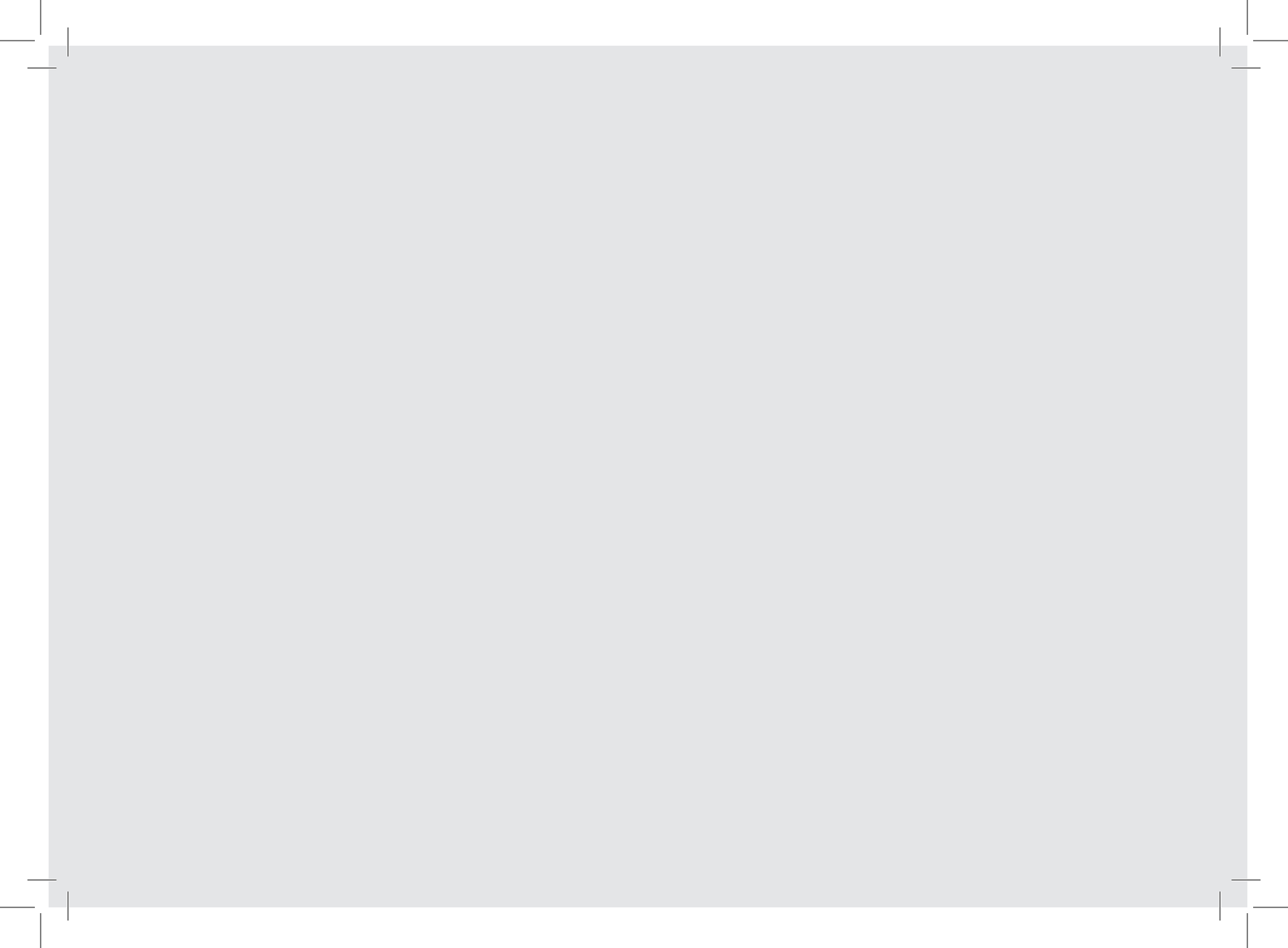


12

Per mezzo del pressostato è possibile regolare la pressione della caldaia del vapore.







# manuel

## linea mini

La linea mini de Marzocco est une machine à espresso artisanale et de qualité professionnelle pour la maison, qui reflète la conception classique et évocatrice dans une version miniature. La linea mini, avec son groupe en acier inoxydable pour le café et une bouilloire pour la vapeur et l'eau chaude, est conçue pour distribuer des doses de qualité avec du café fraîchement moulu, des capsules de café ou des capsules de thé ou d'autres boissons.



**la marzocco**

handmade in florence

# linea mini

Mode d'emploi V1.1 - 04/2015



## la marzocco

handmade in florence

## Chapitres

- |                                     |         |
|-------------------------------------|---------|
| 1. Clauses de Sécurité Importantes  | page 3  |
| 2. Informations Générales           | page 5  |
| 3. Description de la Machine        | page 8  |
| 4. Installation                     | page 9  |
| 5. Fonctionnement                   | page 13 |
| 6. Caractéristiques Principales     | page 15 |
| 7. Entretien Préventif et Nettoyage | page 16 |
| 8. Guide d'Installation             | page 18 |

La Marzocco S.r.l.

Via La Torre 14/H  
Località La Torre  
50038 Scarperia e San Piero  
(Florence) - ITALY

[www.lamarzocco.com](http://www.lamarzocco.com)  
[info@lamarzocco.com](mailto:info@lamarzocco.com)

T : +39 055 849 191  
F : +39 055 849 1990

FR

certifications disponibles :



**ATTENTION**  
**ENREGISTRER CES INSTRUCTIONS**

### CLAUSES DE SÉCURITÉ IMPORTANTES

Lorsque vous utilisez des appareils électriques, vous devez toujours observer des précautions de sécurité, qui incluent ce qui suit :

1. Lire toutes les instructions.
2. Ne pas toucher de surfaces chaudes. Utiliser des poignées ou des boutons.
3. Pour protéger les personnes des incendies, chocs électriques et blessures, ne pas immerger les cordons, prises dans l'eau ou un autre liquide.
4. Une étroite supervision est nécessaire en cas d'utilisation de l'appareil par des enfants ou près de ces derniers.
5. Débrancher de la prise secteur s'il n'est pas utilisé et avant de le nettoyer. Laisser refroidir l'appareil avant de mettre ou d'enlever des pièces, et avant de le nettoyer.
6. Ne pas faire fonctionner l'appareil avec un cordon ou une prise endommagée ou après que l'appareil ait mal fonctionné, ou ait été endommagée de quelque manière que ce soit. Retourner l'appareil à l'atelier de service le plus proche afin qu'il soit examiné, réparé ou réglé.
7. L'utilisation d'accessoires non recommandée par le fabricant de l'appareil peut entraîner un incendie, un choc électrique ou une blessure à la personne.
8. Ne pas utiliser à l'extérieur.
9. Ne pas laisser le cordon dépasser sur le côté d'une table ou d'un comptoir, ni toucher des surfaces chaudes.
10. Ne pas placer sur ou à côté d'un brûleur à gaz ou électrique chaud, ni dans un four chaud.

▲ ATTENTION ▲  
**ENREGISTRER CES INSTRUCTIONS**

## CLAUSES DE SÉCURITÉ IMPORTANTES

11. Toujours brancher l'appareil en premier avant de le raccorder à la prise secteur. Pour déconnecter, mettre tous les boutons sur « off » (arrêt), puis débrancher la fiche de la prise murale.
12. Ne pas utiliser l'appareil à des fins autres que celles pour lesquelles il a été conçu.
13. Conserver ces instructions
14. L'utilisation, le nettoyage et l'entretien de cette machine à café ne doivent pas être réalisés par des personnes (y compris les enfants de plus de 8 ans) inexpérimentées ou dont les capacités physiques, sensorielles ou mentales sont réduites, sauf si celles-ci sont sous la surveillance ou ont reçu les instructions d'utilisation appropriées de la personne responsable de leur sécurité et si elles comprennent les dangers.  
Les enfants doivent être surveillés pour s'assurer qu'ils ne jouent avec l'appareil.  
Conserver l'appareil et son cordon hors de la portée des enfants de moins de 8 ans.
15. La zone de service est limitée aux personnes ayant une connaissance et une expérience pratique de l'appareil, en particulier en ce qui concerne la sécurité et l'hygiène.



## 2. Informations Générales

**ATTENTION**

Le constructeur décline toute responsabilité en cas d'événements aboutissant à des poursuites en responsabilité civile si la mise à la terre n'a pas été effectuée conformément aux réglementations ou aux codes de l'électricité locaux, nationaux, et internationaux en vigueur, ou si d'autres pièces électriques ont été raccordées de manière incorrecte.

**ATTENTION**

Tension dangereuse débrancher de l'alimentation électrique avant de procéder à l'entretien.

**ATTENTION**

Cette machine doit être installée de façon à ce que le personnel technique puisse facilement y accéder pour l'entretien.

**ATTENTION**

Cet appareil n'est pas prévu pour être utilisé par des personnes (y compris les enfants) avec des capacités physiques, sensorielles ou mentales réduites, ou sans expérience et connaissance, à moins qu'elles ne soient surveillées ou aient reçu des instructions concernant l'utilisation de l'appareil par une personne responsable de leur sécurité.

**ATTENTION**

Afin de prévenir les fêlures ou les fuites: ne pas entreposer ou installer la machine à café dans des endroits où la température peut geler l'eau dans la chaudière ou dans le système hydraulique.

La machine à café espresso se compose principalement d'un groupe de distribution de l'eau chaude pour le café espresso et d'une bouilloire à vapeur qui peut fournir la vapeur et l'eau chaude pour les infusions.

Cet appareil est principalement destiné à être utilisé pour des applications d'électroménager et des applications semblables telles que:

- zones de cuisine du personnel dans des boutiques, bureaux et autres environnements de travail;
- maisons de campagne;
- par des clients d'hôtels, de motels et autres environnements de type résidentiel;
- environnements de bed & breakfast.

### À propos du manuel

1) Cette notice de fonctionnement fait partie intégrante et essentielle du produit et doit donc être fournies à tous les utilisateurs. Les utilisateurs sont priés de lire attentivement les indications et les mises en garde ci-jointes car elles fournissent des informations importantes sur la sécurité pendant l'installation, le fonctionnement et l'entretien.

Ce manuel doit être conservé dans un endroit sûr de façon à pouvoir être consulté tant par les utilisateurs inexperts que par ceux qui connaissent déjà le fonctionnement du produit.

### Déballer la machine

1) S'assurer que le produit soit intact en examinant l'emballage et en veillant à ce que celui-ci ne porte aucun signe d'endommagement qui aurait pu affecter la machine à l'intérieur.

2) Vérifier l'intégrité de la machine après avoir soigneusement enlevé l'emballage. L'emballage (boîtes, sacs en plastique, parties en mousse et autres) ne doit pas être laissé à la portée des enfants, en raison du danger potentiel qu'il représente, ni être dispersé dans l'environnement.

### Mesures de sécurité

1) Vérifier que les données reportées sur la plaquette signalétique du produit correspondent à celles de l'installation électrique à laquelle sera raccordée la machine.

Cet appareil doit être installé conformément aux codes de plomberie fédéraux, nationaux ou locaux en vigueur.

2) L'installation de la machine doit se faire conformément aux règlements électriques et hydrauliques locaux. L'installation doit en outre être effectuée selon les instructions du fabricant et doit être effectuée par du personnel technique agréé et qualifié.

3) Une installation incorrecte peut être cause de blessures/dommages aux personnes, animaux ou objets, pour lesquels le fabricant est exempt de toute responsabilité.

4) Il sera possible d'obtenir un fonctionnement électrique sûr de cet appareil seulement lorsqu'un raccordement correct au réseau électrique aura été effectué conformément aux codes et aux règlements de sécurité locaux, nationaux et internationaux et, de manière particulière, lorsque l'unité aura été mise à la terre. S'assurer que la mise à la terre a été effectuée car elle représente un élément de sécurité fondamental. Faire contrôler le branchement à du personnel qualifié.

5) S'assurer en outre que le système électrique ait une capacité suffisante à la puissance et à la consommation maximales

indiquées sur la machine à café espresso.

6) L'utilisation d'adaptateurs, de prises multiples et/ou de rallonges est déconseillée. Si l'on ne peut en éviter l'utilisation, s'assurer qu'ils soient conformes aux codes et aux règlements de sécurité locaux, nationaux et internationaux en veillant à ne pas dépasser les tensions, puissances et absorptions indiquées sur ces adaptateurs et ces rallonges.

7) Cet appareil doit être exclusivement utilisé pour accomplir les fonctions pour lesquelles il a été conçu et fabriqué. Toute autre application est inappropriée et dangereuse.

Le fabricant est exempt de toute responsabilité en cas de dommage dérivant d'un usage impropre et/ou irrationnel.

8) L'utilisation de tout appareil électrique prévoit l'observation de certaines règles fondamentales. En particulier :

- éviter de toucher l'appareil avec les mains ou les pieds mouillés ou humides
- ne pas utiliser l'appareil pieds-nus
- ne pas utiliser de rallonges dans la salle de bains ou les douches
- ne pas tirer sur le cordon d'alimentation pour débrancher l'appareil de la prise de

- courant
- ne pas exposer l'appareil aux agents atmosphériques
  - ne pas permettre aux enfants ou aux personnes inexpertes d'utiliser l'appareil

**9)** Avant d'effectuer toute opération d'entretien ou de nettoyage (qui ne soient pas des opérations de lavage du groupe), régler l'interrupteur sur "0" et débrancher la machine du réseau électrique en enlevant la fiche de la prise ou en désactivant le disjoncteur. Pour les opérations de nettoyage, suivre uniquement les instructions indiquées dans ce manuel.

**10)** Si la machine ne fonctionne pas correctement ou arrête de fonctionner, la débrancher du réseau électrique (comme

décrit au point précédent). Ne pas essayer de la réparer. Contacter un professionnel agréé et qualifié pour effectuer toute réparation. Toute réparation doit être effectuée par le fabricant ou par un centre agréé en utilisant que des pièces originales. Dans le cas contraire, le bon fonctionnement de la machine pourrait être compromis.

**11)** Afin d'éviter de dangereux problèmes de surchauffe, il est recommandé de ne pas enrouler ou plier entièrement le cordon d'alimentation.

**12)** Ne pas obstruer les grilles d'aspiration et de dissipation et ne pas couvrir le niveau chauffe-tasses avec des chiffons ou autres objets.

**13)** Le cordon d'alimentation de la machine ne doit pas être remplacé par les utilisateurs. Si le cordon d'alimentation est endommagé, éteindre la machine et la débrancher du réseau électrique en enlevant la fiche de la prise ou en désactivant le disjoncteur correspondant et fermer le circuit de l'eau ; pour remplacer le cordon d'alimentation, contacter seulement des professionnels qualifiés.

**14)** Ces instructions sont également disponibles dans un autre format sur un site Web.

### 3. Description de la Machine

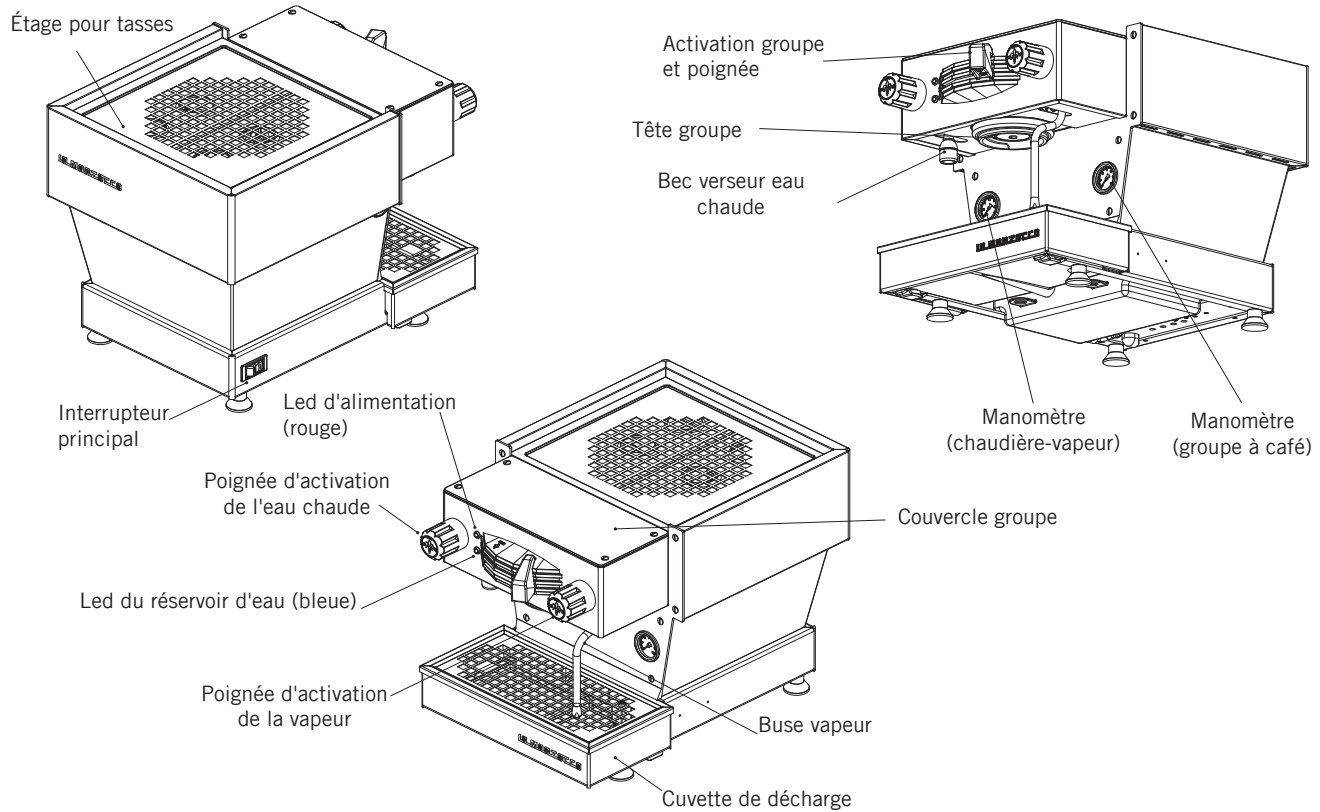


Figure 1 - Description de la Machine

## 4. Installation

**ATTENTION**  
La machine à café doit être placée en position horizontale sur un comptoir dont la hauteur depuis le sol soit supérieure à 90cm.

**ATTENTION**  
La valve d'expansion peut décharger de l'eau chauffée à 93°C. Une protection adéquate est nécessaire pour manipuler ce composant avant de procéder au réglage.

**ATTENTION**  
Cette machine n'est pas appropriée à un usage externe.

### Note :

- Température ambiante minimum : 5°C
- Température ambiante maximum : 32°C
- Le niveau de pression acoustique pondéré de la machine est inférieur à 70dBA.

### Installation de la machine à café espresso, linea mini

#### 1) Remplir le réservoir d'eau potable.

Après avoir enlevé l'emballage de la machine à café placée sur une surface résistante. Enlever la cuvette de décharge et faire s'écouler le réservoir de l'eau jusqu'à ce qu'il soit possible d'enlever le couvercle. Enlever le couvercle et remplir le réservoir avec de l'eau potable. Replacer le couvercle et faire glisser le réservoir de l'eau en position de travail et réinsérer la cuvette de décharge. De manière à brancher la machine au réseau de distribution d'eau selon les instructions indiquées dans le Guide d'Installation et conformément à toutes les normes de sécurité locales/nationales du lieu où la machine est installée.

Pour garantir un fonctionnement correct et sur de la machine et pour maintenir un rendement adéquat et une qualité élevée des boissons préparées, il est important que l'eau d'arrivée ait une dureté supérieure à 9° f (90 ppm, 5°d) et inférieure à 15°f (150ppm, 8,4°d), le pH devrait être compris entre 6,5 et 8,5 et la quantité de chlorure inférieure à 50mg/l. Le respect de ces valeurs permet un fonctionnement optimal de la machine.

Si ces paramètres ne sont pas présents, un dispositif de filtrage spécifique devrait être installé qui respectera toujours les normes locales et nationales sur l'eau potable.

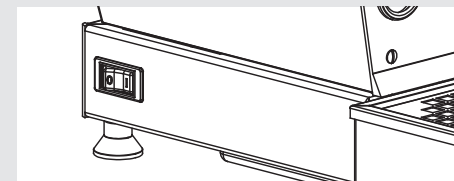
#### 2) Raccorder la machine à café espresso au réseau électrique.

Brancher la machine à café espresso à un circuit électrique qui ait les caractéristiques appropriées à celles reportées sur la plaque de la machine.

#### 3) Remplir les chaudières d'eau.

Pour remplir correctement les chaudières, effectuer les opérations suivantes:

**Chaudière à vapeur:** régler l'interrupteur principal sur "1", le système du niveau de la chaudière à vapeur automatique se mettra en marche activant l'électrovanne de remplissage automatique et la pompe à eau. Cette dernière remplira la chaudière à vapeur à un niveau prédéterminé et s'arrêtera quand il sera plein.



**ATTENTION : Il se pourrait qu'il soit nécessaire d'ajouter de l'eau dans le réservoir pendant ce procédé.**

**Groupe café:** L'eau s'écoule directement dans la chaudière café dès que la pompe à eau est activée. Lorsque la linea mini est allumée, la pompe à eau s'active permettant le remplissage des deux chaudières.

#### 4) Vérifier le remplissage des chaudières.

L'installation est à présent achevée et la machine à café espresso devrait atteindre les températures de fonctionnement.

#### Brassage après la première installation

Dès que les premières procédures d'installation sont terminées, avant de procéder au brassage du café, de l'eau chaude et de la vapeur, effectuer les opérations suivantes :

- Engager le porte-filtre en l'insérant dans la tête du groupe et tourner la poignée de la gauche vers la droite. Dès que le porte-filtre est correctement en place, vous pouvez déplacer le panneau vers la gauche pour activer l'écoulement de l'eau à travers le porte-filtre. Brasser l'eau à travers le groupe pendant au moins deux minutes.

- En veillant à ne pas se brûler, tourner chaque buse à vapeur pendant au moins 10

une minute.

- Tourner la valve de l'eau chaude pendant le temps qu'il faudra pour permettre de brasser au moins 1 litre d'eau.

#### 5) En attendant que la machine à café espresso se réchauffe et atteigne la température de fonctionnement.

Pendant le chauffage, il se pourrait que l'aiguille du manomètre relative au groupe café atteigne 12 bar. Ceci pourrait se vérifier chaque fois que l'élément de chauffe est en condition "on". Si la pression dépasse 12 bar, il sera nécessaire de régler la valve d'expansion afin que la pression ne dépasse jamais 12 bar.

Dans des conditions de fonctionnement optimales, la pression du groupe café peut se trouver à n'importe quel point entre 0-12 bar. Pendant les opérations de distribution, la pression devrait être d'environ 9 bar.

La machine est prête à distribuer l'eau quand la led d'alimentation (rouge) est sur ON.

Quand la machine chauffe, la led d'alimentation (rouge) clignote.

**ATTENTION: Lorsque la chaudière à vapeur atteint la température de fonctionnement, il est possible que l'on entende de l'air de la vapeur sortir de la chaudière. Il s'agit d'un**

bruit normal. Lorsque l'eau bout, l'air de la chaudière est remplacée par de la vapeur et sort par la soupape de décompression. Lorsque la chaudière se rapproche de la température de fonctionnement, la soupape de décompression se ferme et la vapeur n'arrive plus à sortir. Ce procédé permet à l'air dans la chaudière à vapeur de sortir et d'être remplacé par de la vapeur d'eau.

#### 6) Plaque de la machine:

Plaque CE de la machine



Plaque ETL de la machine



### 7) Réglage de la valve d'expansion.

La valve d'expansion est un composant qui limite la pression maximum à l'intérieur du groupe café. Le chauffage du groupe café fait en sorte que l'eau à l'intérieur augmente. Étant donné que le groupe est complètement saturée, l'expansion de l'eau porte donc à une augmentation de la pression à l'intérieur de la chaudière. Sans un dispositif de sécurité, l'augmentation de la pression pourrait causer une rupture de la chaudière. La pression à l'intérieur du groupe café ne devrait jamais dépasser 12 bar. La valve est très chaude et donc, en utilisant une protection adéquate, tourner la valve d'expansion dans le sens des aiguilles d'une montre pour augmenter la pression. Pour diminuer la pression, tourner la valve d'expansion dans le sens contraire des aiguilles d'une montre (Voir le diagramme qui suit).

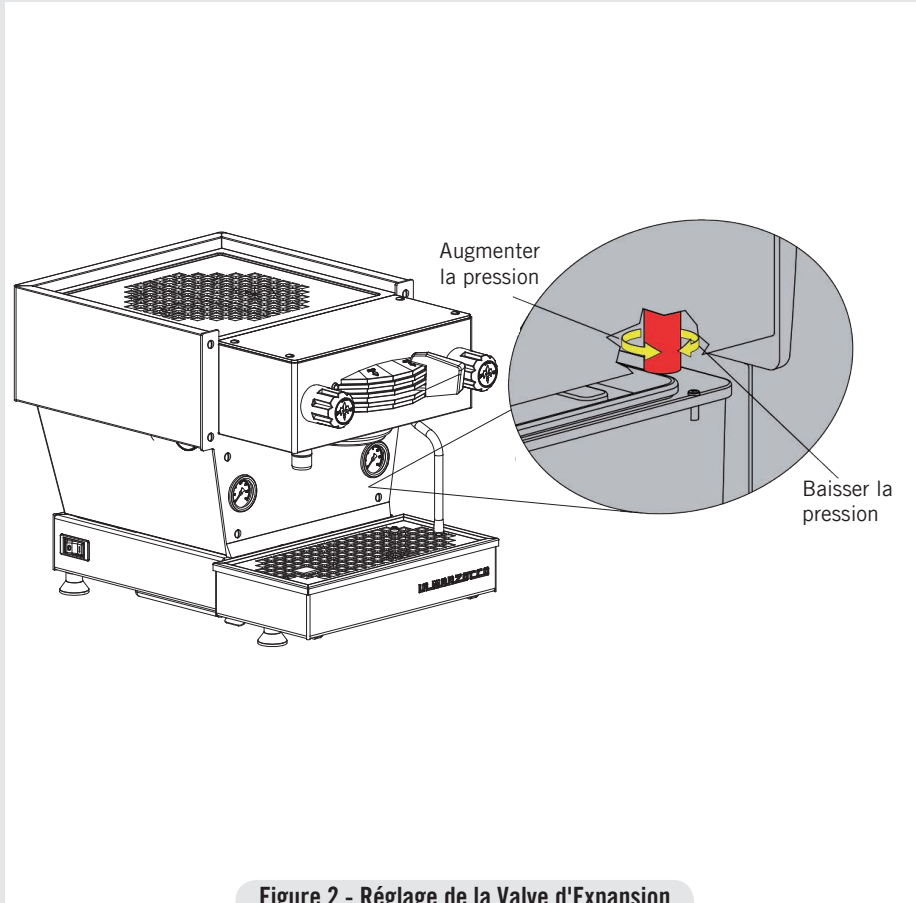


Figure 2 - Réglage de la Valve d'Expansion

### 8) Réglage de la pression de la pompe à eau

La pompe à eau est réglée en usine à une pression de 9 bar. S'il s'avère nécessaire de modifier la pression, recourir à la procédure suivante:

1. Enlever le plateau supérieur et le plateau inférieur.
2. Repérer la vis de réglage de la pompe à

eau et desserrer l'écrou qui la bloque.

3. Régler la pression de la pompe à eau au niveau désiré.
4. Tourner dans le sens des aiguilles d'une montre pour augmenter la pression et dans le sens contraire des aiguilles d'une montre pour la baisser.

**ATTENTION:** La pression de la pompe à eau doit être réglée lorsque la machine est en extraction avec du café dans le porte-filtre.

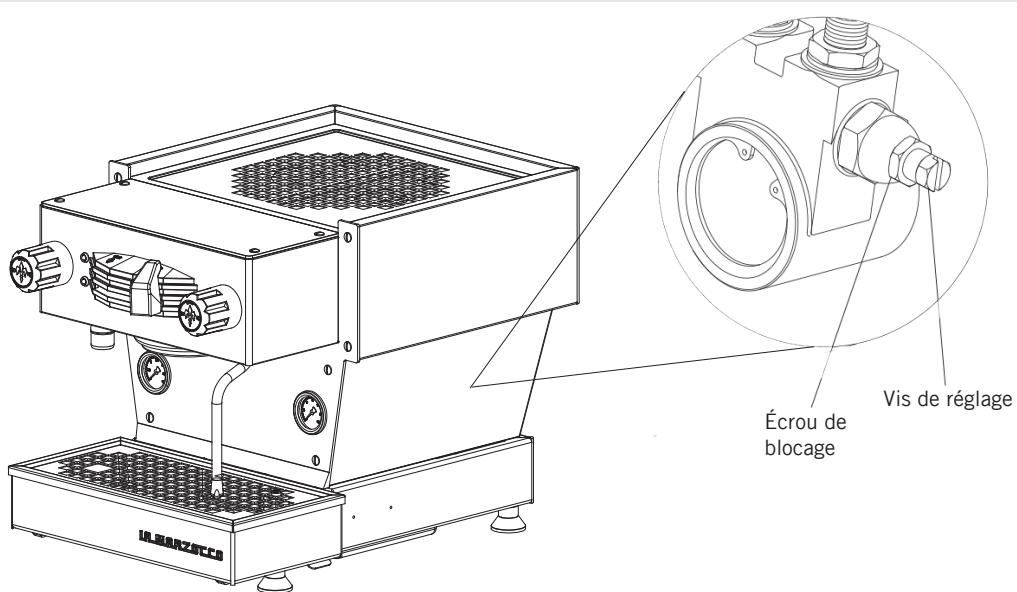


Figure 3 - Réglage de la Pression de la Pompe à Eau



## 5. Fonctionnement

### ATTENTION

Le groupe café et la chaudière vapeur contiennent de l'eau à une température élevée. Une température de l'eau supérieure à 52°C peut causer de graves brûlures instantanées ou la mort par ébullition (groupe café 93,3°C - chaudière vapeur 127°C)

### ATTENTION

La machine ne doit pas être plongée dans l'eau, ni éclaboussée afin de la nettoyer. Pour les opérations de nettoyage, prière de suivre très attentivement les instructions reportées ci-dessous.

### ATTENTION

Cette machine est conçue uniquement pour la préparation de café et de boissons chaudes.

#### 1. Installer les porte-filtre.

Installer le porte-filtre en l'insérant dans la tête du groupe et tourner la poignée de la gauche vers la droite. Dès que le porte-filtre est correctement en place, vous pouvez déplacer la poignée du panneau de droite à gauche pour activer l'écoulement de l'eau à travers le porte-filtre. Il est important que le porte-filtre atteigne la température appropriée au fonctionnement avant d'introduire le café.

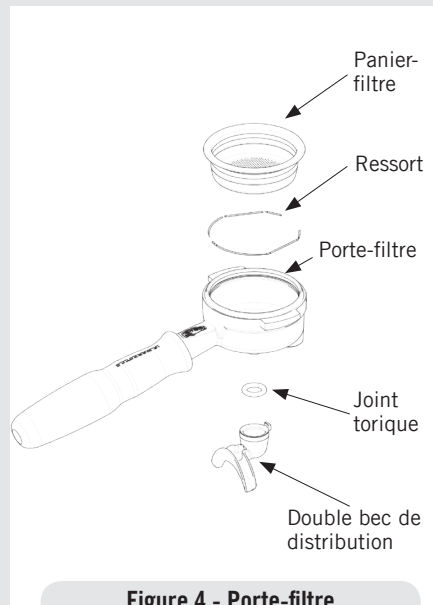


Figure 4 - Porte-filtre

Faire s'écouler l'eau à travers le porte-filtre vide pendant quelques secondes seulement avant de commencer le procédé de distribution pour préchauffer le porte-filtre.

**ATTENTION:** Il est important de laisser le porte-filtre installé dans la machine à café espresso lorsqu'il n'est pas utilisé. Le porte-filtre doit rester chaud afin que le procédé de distribution du café ait lieu de manière correcte.

**2. Distribution du café:** Il est à présent possible d'enlever le porte-filtre pour préparer les boissons à base de café. Mettre du café dans le porte-filtre en utilisant un filtre une dose ou deux doses. Presser le café moulu à l'aide du tasseur fourni et installer le porte-filtre sur la linea mini. Déplacer la poignée du panneau de commande de droite à gauche pour commencer la distribution (voir Fig. 1 page 8).

**ATTENTION:** Certains utilisateurs pensent qu'il est important de faire sortir de l'eau du groupe avant d'installer le porte-filtre pour éliminer tous les résidus de café et d'autres particules de la tête du groupe. Certains répètent l'opération après la

FR

distribution de chaque boisson pour la même raison. Effectuer différents essais afin de trouver la meilleure procédure de faire votre café. Il existe plusieurs méthodes pour la distribution du café espresso. Il est possible de trouver des instructions sur les différentes méthodes sur les sites internet, des blogs et des forums. Certaines sont même supervisées par des barmans professionnels du monde entier.

### 3. Distribution vapeur.

Afin de permettre à l'eau de condensation dans la buse d'être distribuée, TOUJOURS faire sortir un peu de vapeur en tournant la valve avant d'immerger la buse vapeur dans le pichet du liquide à réchauffer.

Immerger la buse vapeur dans le liquide à réchauffer. Abaisser le bouton de vapeur pour activer le processus de chauffage.

La soupape de la vapeur a un débit variable. La soupape de la vapeur ne se bloquera qu'en position complètement ouverte.

La vapeur transférera de la chaleur au liquide en faisant augmenter sa température. Veiller à ce que le liquide ne déborde pas afin d'éviter de graves brûlures.

Réchauffer le lait pour le cappuccino et d'autres boissons est très facile mais

pour le faire de façon correcte, il faut prendre quelques précautions. Effectuer différents essais jusqu'à trouver la juste méthode pour monter le lait. Il est en outre possible de trouver sur internet de nombreuses informations utiles concernant l'ébouillantage du lait.

**ATTENTION:** Il est important d'avoir un volume de liquide suffisant dans le pichet d'ébouillantage. Si vous voulez réchauffer de petites quantités de lait, il sera donc nécessaire d'utiliser un pichet plus petit. Si vous voulez réchauffer de plus grandes quantités de lait, il sera donc nécessaire d'utiliser un pichet plus grand.

Mettre une petite quantité de lait dans un pichet trop grand pourrait faire gicler le liquide hors du pichet. Un bon critère à suivre est de remplir le pichet à moitié.

**ATTENTION:** Pour éviter que le liquide soit aspiré à l'intérieur de la chaudière vapeur, il est conseillé de purger le dispositif de vapeur après avoir réchauffé tout liquide. Purger le dispositif en ouvrant la soupape de la vapeur pendant quelques secondes afin de permettre à la vapeur de sortir de l'extrémité de la buse vapeur.

### 4. Distribution d'eau chaude.

Vous pouvez distribuer de l'eau chaude en utilisant la buse à eau chaude. Pour distribuer de l'eau chaude tourner le bouton gauche (voir Fig.1 page 8).

Ce bouton règle la sortie de l'eau chaude.

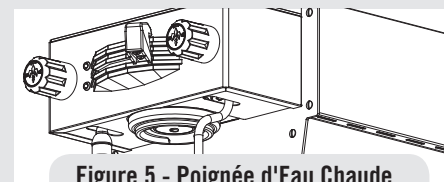


Figure 5 - Poignée d'Eau Chaude

**ATTENTION**  
Si les instructions mentionnées ci-dessus ne sont pas respectées, le fabricant ne peut être tenu responsable des dommages à personnes et choses.

### 1. Distribution d'eau chaude.

Il est possible d'obtenir de l'eau chaude en se servant de la Buse d'Eau Chaude sur le côté gauche de la machine. Cela est possible en tournant le bouton gauche (voir Fig.1 page 8).

### 2. Informations à caractère général pour la préparation du café.

Les porte-filtres doivent rester chauds puisqu'ils se trouvent dans la partie la plus basse du groupe et qu'ils sont partiellement isolés de celui-ci par la garniture en caoutchouc. Pour ce faire, laisser les porte-filtres insérés lorsque la machine n'est pas utilisée. Les porte-filtres peuvent en outre être réchauffés en pressant l'un des boutons pour la distribution qui active l'écoulement d'eau chaude à travers le porte-filtre et puis en l'éteignant.

### 3. Mouture du café.

La granulométrie du café, outre la qualité

du café utilisé, est extrêmement importante pour la préparation d'un bon café. La mouture idéale peut être déterminée en effectuant divers essais en utilisant la quantité de café que vous utiliseriez normalement pour chaque tasse (nous conseillons au moins 6 g). La meilleure mouture est celle qui permet au café de sortir du filtre ni trop lentement, goutte à goutte, ni trop rapidement. Un critère général est qu'un double dose devrait faire sortir approximativement 60 ml de café espresso en 25 secondes environ. Ce temps peut être réglé en fonction de la grosseur du grain.

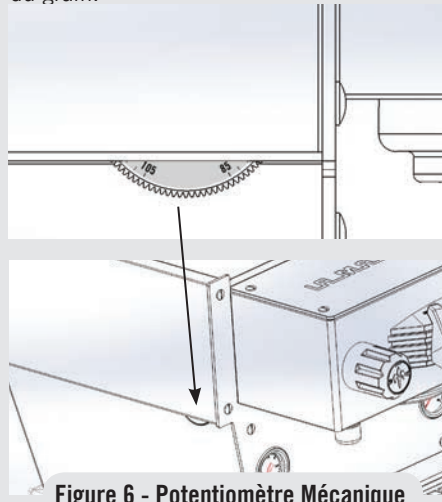


Figure 6 - Potentiomètre Mécanique

## 6. Caractéristiques Principales

### N.B.

Si la machine n'a pas été utilisée pendant plus de 8 heures ou, dans tous les cas, après de longues périodes d'arrêt, il est nécessaire, pour utiliser la machine à son potentiel maximum, d'effectuer certains cycles de nettoyage avant de distribuer les boissons comme indiqué ci-après :

- Groupes : avec les porte-filtres insérés dans les groupes, faire s'écouler l'eau à travers ceux-ci pendant au moins deux minutes
- En veillant à ne pas se brûler, tourner chaque buse à vapeur pendant au moins une minute.
- Tourner la valve de l'eau chaude pendant le temps qu'il faudra pour permettre de brasser 1 litre d'eau.
- En cas d'utilisation de la machine avec le réservoir à eau, vidanger l'eau dans le réservoir tous les jours.

Si la machine ne sera pas utilisée pendant de longues périodes de temps, il est conseillé de suivre les indications de sécurité suivantes :

- Débrancher la machine du réseau hydrique ou interrompre le raccordement de l'eau au moyen d'un bouchon.
- Débrancher la machine du réseau électrique.

FR

## 7. Entretien Préventif et Nettoyage

### ▲ ATTENTION ▲

Il ne faut pas utiliser de jets d'eau pour nettoyer la machine, ni la positionner là où des jets d'eau sont utilisés.

### ▲ ATTENTION ▲

Ne pas enlever le porte-filtre pendant que le groupe correspondant distribue des liquides chauds. Le groupe café contient de l'eau à une température élevée. Une température de l'eau supérieure à 52°C peut causer instantanément de graves brûlures ou la mort par ébouillantage.

### ▲ ATTENTION ▲

La machine ne doit pas être plongée dans l'eau, ni éclaboussée afin de la nettoyer. Pour les opérations de nettoyage, veuillez suivre les instructions suivantes très attentivement.

### ▲ ATTENTION ▲

La valve d'expansion peut décharger de l'eau chauffée à 93°C. Une protection adéquate est nécessaire pour manipuler ce composant avant de procéder au réglage.

### ▲ ATTENTION ▲

Cette machine est conçue uniquement pour la préparation de café et de boissons chaudes.

#### Nettoyage (Quotidien)

##### 1. Nettoyage de la douchette de distribution.

Pendant l'opération de vidange (successive à la distribution du café), de petites quantités de café pourraient s'accumuler et obstruer, même partiellement, la douchette de distribution. Éteindre la machine et retirer la douchette de distribution en dévissant la vis du diffuseur. Rincer dans le liquide détergent en suivant les instructions du fabricant du produit détergent. Rincer entièrement à l'eau claire. Installer et faire couler l'eau chaude plusieurs fois à travers la tête du groupe avec la douchette installée.

##### 2. Nettoyage du circuit de distribution.

Insérer le filtre aveugle dans le porte-filtre et mettre la quantité correcte de détergent pour machine espresso (en suivant les instructions du produit) dans le filtre, enclencher le porte-filtre dans le groupe que l'on veut nettoyer.

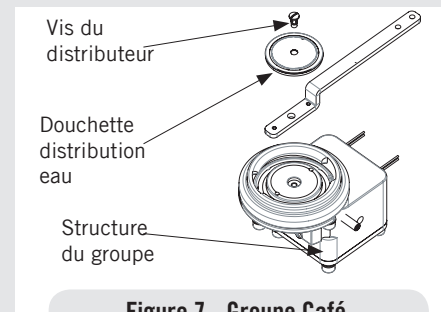


Figure 7 - Groupe Café

- Presser le bouton de distribution du groupe mentionné, comme si l'on voulait préparer une tasse de café normale. Interrompre l'écoulement d'eau après environ 15-20 secondes.
- Mettre en marche et arrêter le groupe plusieurs fois jusqu'à ce que l'on remarque que l'eau distribuée est claire au lieu d'être savonneuse lorsqu'on enlève le porte-filtre. Ne pas enlever le porte-filtre lorsque le groupe est, de fait, en train de distribuer de l'eau.
- Rincer le groupe en utilisant un filtre normal dans le porte-filtre, en faisant couler de l'eau chaude à travers celui-ci à plusieurs reprises.

### 3. Nettoyage du corps.

Passer un chiffon doux non abrasif sur les pièces en acier inoxydable en direction des parties en verres s'il y en a. Ne pas utiliser d'alcool ou de solvants sur les parties peintes, marquées ou en plastique afin de ne pas les endommager. Nettoyer les panneaux latéraux à l'aide d'un chiffon doux. Ne vaporiser aucun liquide sur le panneau de commande et sur l'afficheur. Nettoyer uniquement à l'aide d'un chiffon humide.

### 4. Nettoyage des buses à eau chaude et à vapeur.

Les buses à vapeur doivent être nettoyées tout de suite après avoir été utilisées avec un chiffon humide et en faisant sortir un petit jet de vapeur afin qu'aucun dépôt ne se forme à l'intérieur de la buse, ce qui pourrait altérer le goût des boissons suivantes à chauffer. Les buses d'eau chaude doivent être nettoyées périodiquement à l'aide d'un chiffon humide. Si des résidus de lait sont présents sur la buse vapeur, tremper la pointe dans un récipient d'eau chaude et il sera ensuite possible de passer un chiffon sur la partie propre. Répéter l'opération si les résidus persistent.

**ATTENTION:** Ce programme de nettoyage est prévu en cas d'utilisation modérée de la machine (20-300 tasses par jour). Si l'utilisation de la machine est inférieure, ce programme peut être adapté en conséquence.

### Nettoyage (Périodique)

**1. Vidange des chaudières.** Le groupe café et la chaudière vapeur peuvent être vidangées et remplies afin de réduire les possibilités de dépôts calcaires sur les parois internes. Cette opération de drainage peut en outre être utilisée pour enlever l'eau ayant une mauvaise odeur ou un mauvais goût.

**Vidange de la chaudière vapeur:** Éteindre la machine. Enlever l'ensemble du panneau arrière. Localiser le robinet à bille sur le côté inférieur droite de la machine. Soutenir le robinet à bille avec un outil et enlever le couvercle à l'extrémité du robinet. Déplacer la machine à café espresso près d'un écoulement et incliner la machine sur un côté en orientant la soupape de vidange vers l'écoulement.

**Vidange du groupe café:** Éteindre la machine. À l'aide d'une protection et d'un outil adéquats, desserrer la valve d'expansion jusqu'à ce que l'eau commence à couler

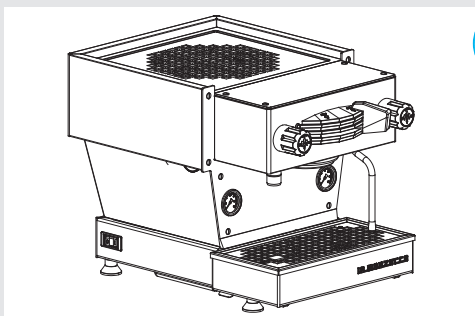
librement. Puis ouvrir le clapet à bille à gauche.

**2. Nettoyage du réservoir d'eau:** Le réservoir d'eau doit être nettoyé périodiquement pour s'assurer qu'il n'y ait pas de résidus sur les parois internes. Tout d'abord, ôter le réservoir d'eau de la machine. Débrancher le flexible de l'eau en plastique. Dévisser toutes les vis du couvercle pour séparer les pièces. Laver toutes les pièces avec de l'eau savonneuse chaude. Tous les composants peuvent être lavés au lave-vaisselle.

## 8. Guide d'Installation

---

1. Déballez la Machine Espresso linea mini	page 19	7. Régler la valve d'expansion	page 23
2. Remplir d'eau (remplissage initial)	page 19	8. Écran pression chaudière vapeur	page 24
3. Alignement	page 20	9. Distribution espresso	page 25
4. Brancher au réseau électrique	page 20	10. Vérifier fonctionnement pressions chaudière	page 25
5. Activer l'alimentation	page 21	11. Température chaudière café	page 26
6. Surveiller pression groupe café	page 22	12. Température chaudière vapeur	page 26



1

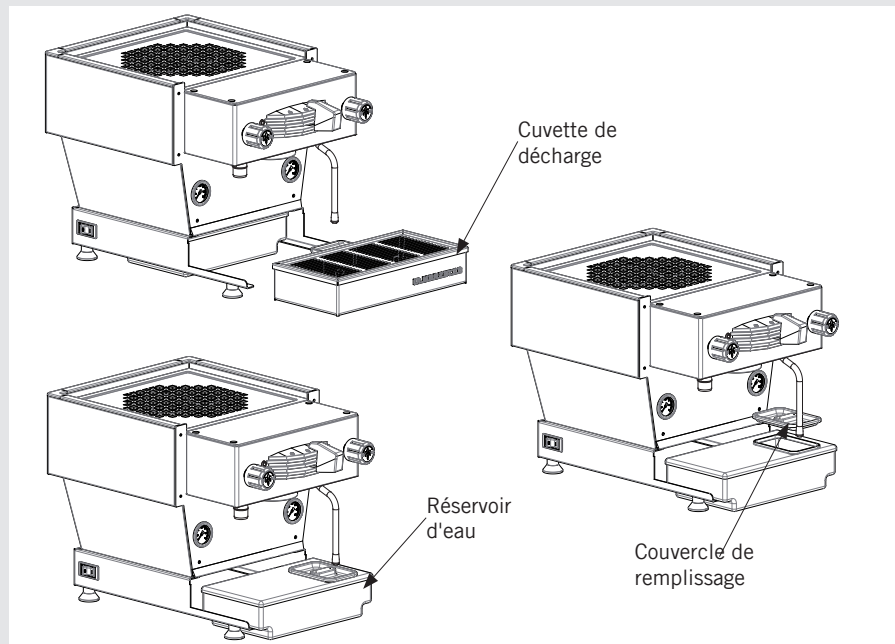
Déballer la machine espresso et la place sur une surface nivelée. S'assurer que tous les accessoires sont inclus dans l'envoi. Vérifier visuellement si la machine espresso est endommagée.

**ATTENTION**  
La machine à café doit être placée en position horizontale sur un comptoir dont la hauteur depuis le sol soit supérieure à 90cm.

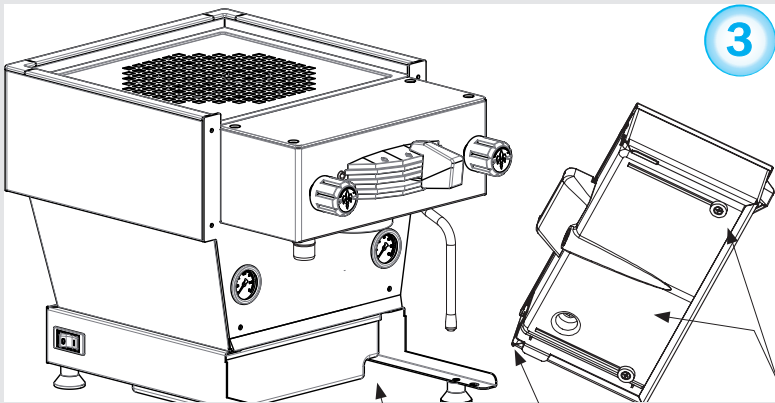
2

Enlever/Ouvrir le couvercle de remplissage et remplir le réservoir avec de l'eau filtrée. Glisser et remettre en place le réservoir et remplacer la cuvette de décharge. S'assurer que la cuvette de décharge est complètement insérée. Le réservoir d'eau doit être en contact avec les indicateurs de niveau à l'arrière.

**N.B.:** La linea mini est configurée pour fonctionner avec le réservoir d'eau.



FR



3

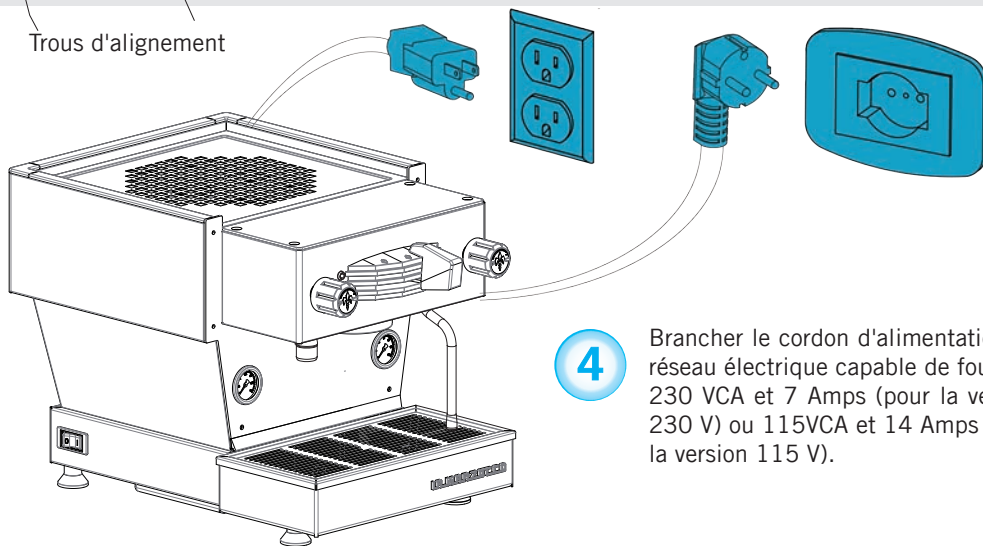
**REMARQUE IMPORTANTE :**

La cuvette de vidange doit être correctement installée pour que la machine puisse bien fonctionner. La cuvette de drainage est dotée de deux aimants qui correspondent aux deux rainures d'alignement à la base de la linea mini. Lors de l'installation de la cuvette de décharge, s'assurer que les aimants d'alignement soient insérées dans les rainures d'alignement. Il peut être nécessaire de pousser légèrement sur la partie avant de la cuvette de décharge pour obtenir un alignement correct.

Quand la machine est sur ON et que le réservoir d'eau est plein, la led du réservoir d'eau (bleue) est sur ON ; si le réservoir d'eau est vide, la led du réservoir d'eau (bleue) clignote.

Aimants et rainures d'alignement

Trous d'alignement



4

Brancher le cordon d'alimentation au réseau électrique capable de fournir : 230 VCA et 7 Amps (pour la version 230 V) ou 115VCA et 14 Amps (pour la version 115 V).

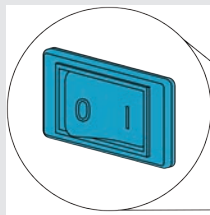




## ATTENTION

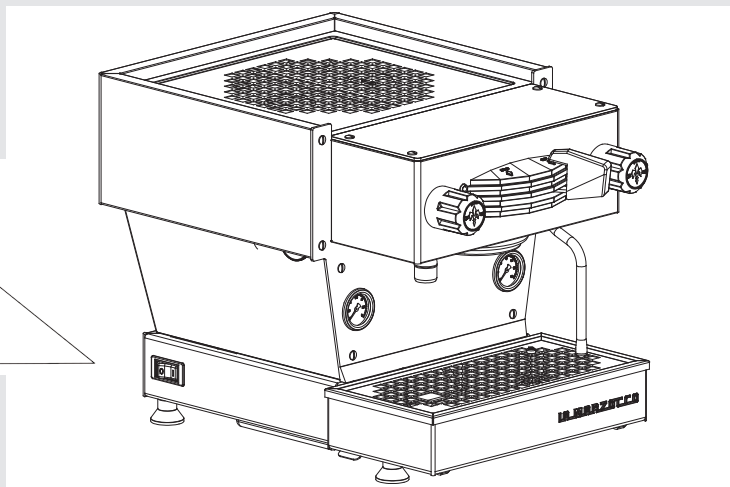


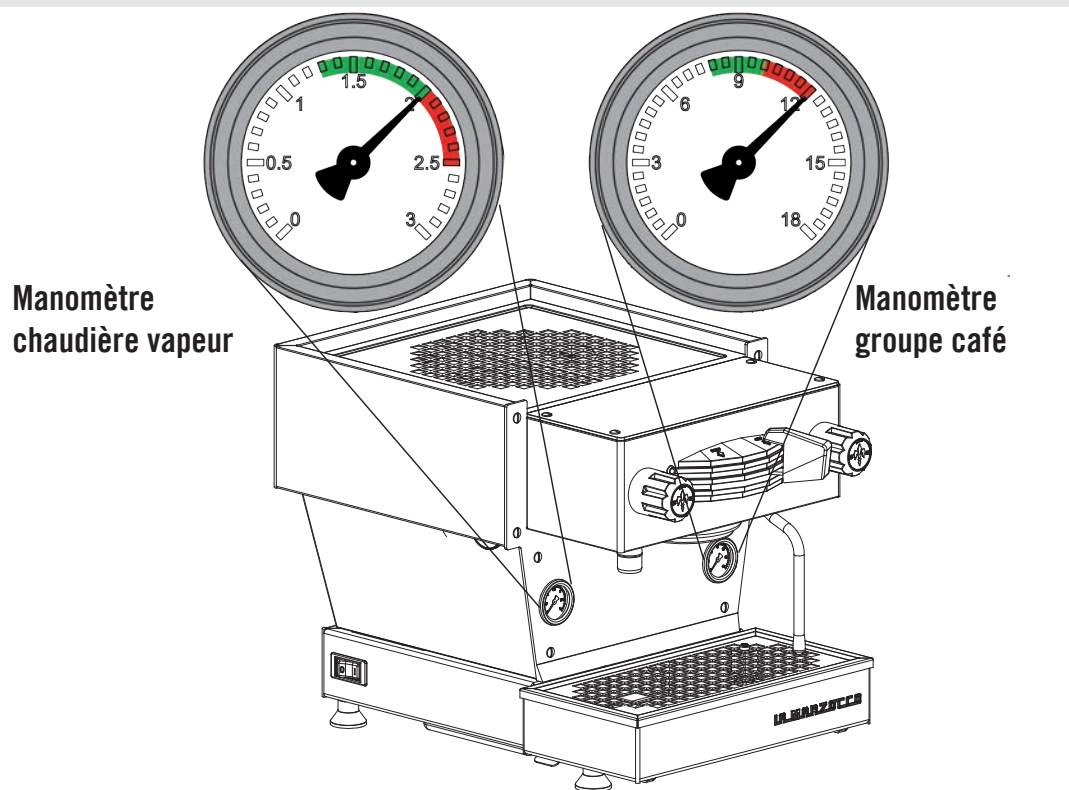
Le constructeur décline toute responsabilité en cas d'événements aboutissant à des poursuites en responsabilité civile si la mise à la terre n'a pas été effectuée conformément aux réglementations ou aux codes de l'électricité locaux, nationaux, et internationaux en vigueur, ou si d'autres pièces électriques ont été raccordées de manière incorrecte.



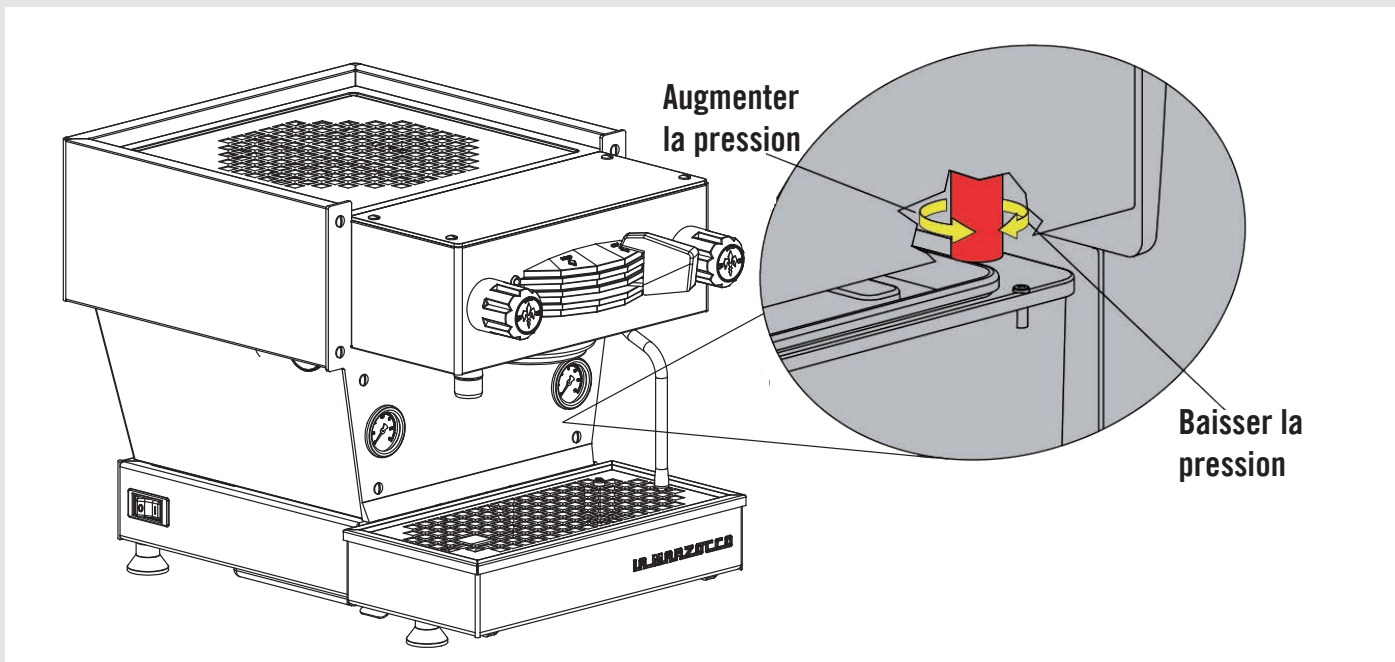
5

Activer l'alimentation électrique en appuyant sur l'interrupteur principal. L'interrupteur principal peut être localisé à l'arrière gauche de la machine.



**6**

Il sera ensuite nécessaire de vérifier la valve d'expansion. Le groupe café chauffant et atteignant la température de service, la pression augmentera dans le groupe café. Une soupape d'expansion est placée derrière le plateau de drainage qui permet à l'eau de sortir pendant cette opération afin de limiter la pression maximum dans le groupe café à 12 bars. Vérifier le manomètre du groupe café pendant le processus de chauffe. L'aiguille devrait s'approcher de 12 bar et s'arrêter. Si le manomètre n'atteint pas 12 bar ou s'il dépasse 12 bar, il faudra alors régler la soupape d'expansion. Veuillez suivre l'opération suivante afin de régler correctement la soupape d'expansion.



**7** Veuillez suivre cette procédure s'il était nécessaire de régler la soupape d'expansion. Retire d'abord la cuvette de décharge pour accéder à la soupape d'expansion. La soupape d'expansion dépasse de la tôle, a la forme d'un hexagone, est en cuivre et en CH18 (outil). La soupape sera brûlante et par conséquent, en utilisant une protection adéquate pour régler la soupape d'expansion, tourner la soupape dans le sens des aiguilles d'une montre pour augmenter la pression et dans le sens contraire pour la baisser. Il peut être nécessaire d'utiliser une clé pour tourner la soupape d'expansion d'1/4 de tour ou moins d'incréments jusqu'à ce que la pression désirée soit atteinte. Replacer la cuvette de décharge après chaque réglage pour assurer le fonctionnement correct de la machine.

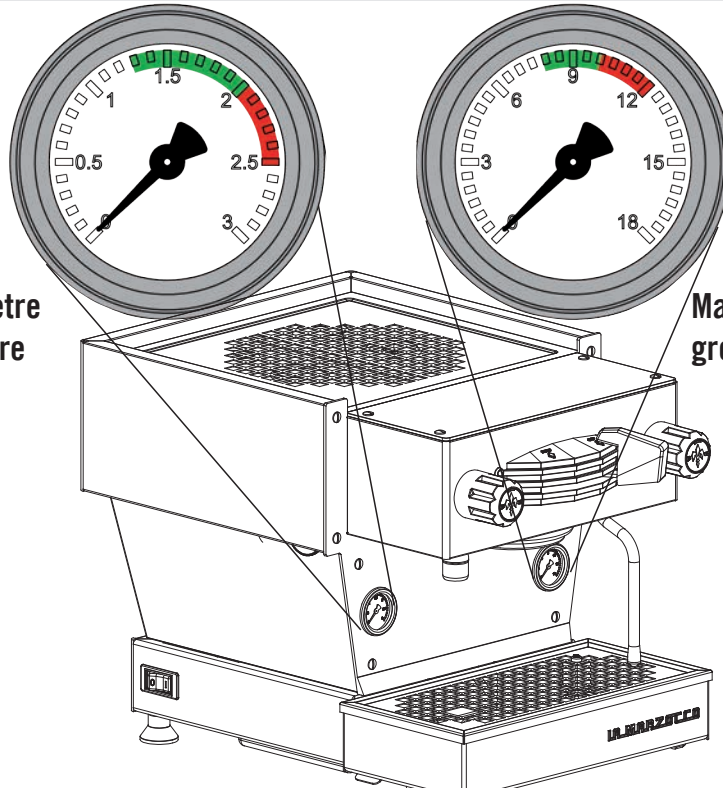
**ATTENTION**  
La valve d'expansion peut décharger de l'eau chauffée à 93°C. Une protection adéquate est nécessaire pour manipuler ce composant avant de procéder au réglage.

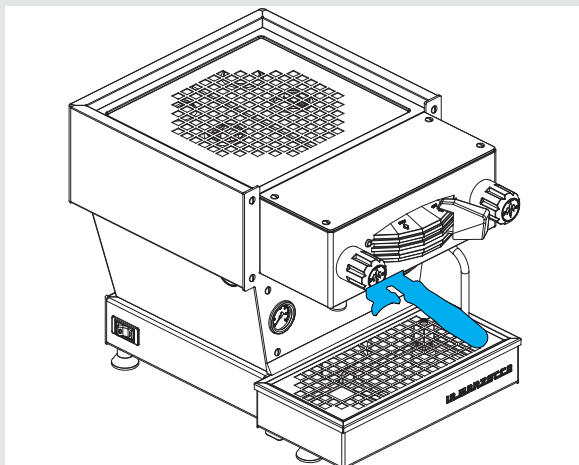
8

Il est également possible de contrôler le processus de chauffage de la chaudière en regardant le Manomètre de la Chaudière Vapeur. La chaudière vapeur est réglée en usine à une pression d'environ 2,0. Dès que le manomètre atteint ce point, la chauffe s'arrêtera.

**Manomètre  
chaudière  
vapeur**

**Manomètre  
groupe café**





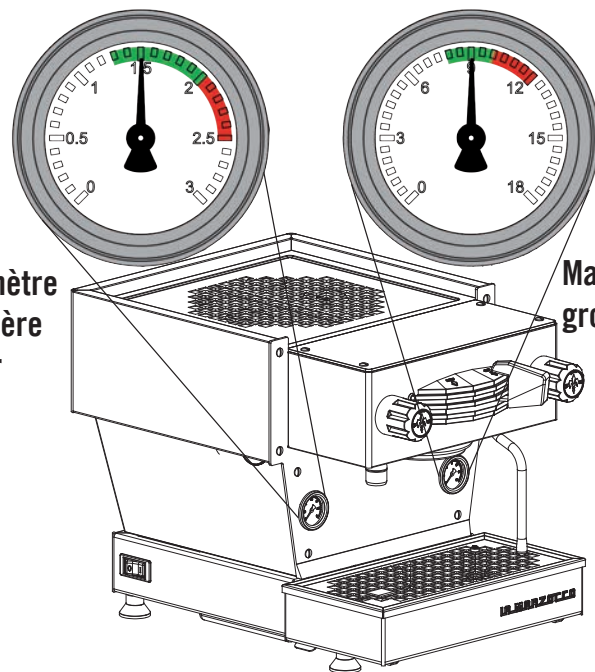
9

Quand la machine espresso est prête, (led ON rouge) mettre le café moulu dans le porte-filtre et activer la distribution. Pour plus d'informations sur l'utilisation de cette machine espresso, consulter le Manuel d'Emploi.

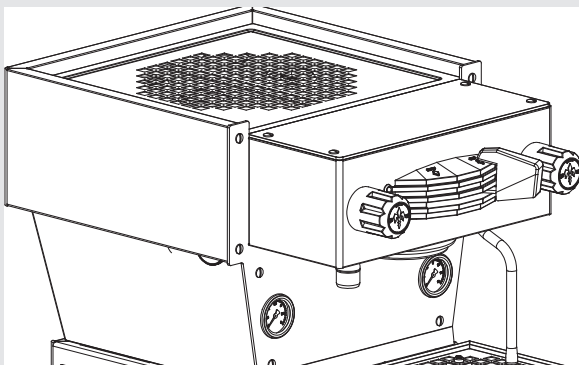
10

Pendant la distribution, la pression du groupe café devrait être située entre 8-10 bar. La pression de la chaudière vapeur devrait être réglée sur 2 bar mais peut fonctionner à n'importe quel réglage entre 1,3 bar et 2 bar.

Manomètre  
chaudière  
vapeur



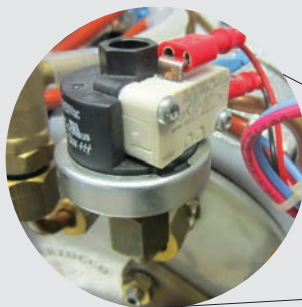
Manomètre  
groupe café



11

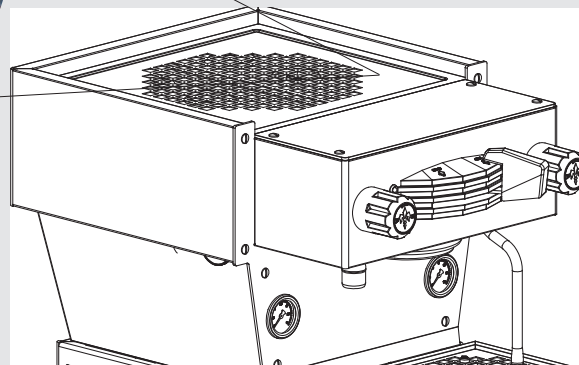
Ce paramètre est réglé en usine à la température nominale prééglée. La température de l'eau distribuée est mesurée au point le plus critique dans le groupe café où la fluctuation de la température est la plus grande.

La température de l'eau présente dans la tête du groupe est maintenue constante au moyen de la masse du moulage du groupe. Bien que la température de l'eau puisse varier très légèrement, la température de l'eau présente dans le groupe est constante. Pour bien calibrer la température de toute machine espresso, il est important de mesurer la température de l'eau présente dans le groupe au moyen d'un dispositif de mesure de la température extérieur.



12

Il est possible de régler la pression de la chaudière vapeur au moyen du commutateur de pression.



**FIR**





# Bedienungs- anleitung

## linea mini

La Marzocco's linea mini ist eine handgemachte Espressomaschine der Profiklasse für Zuhause, die das klassisch-ikonische Design in Miniaturformat reflektiert. Die linea mini verfügt über einen Edelstahlbereich für Kaffee und einen Boiler für Dampf und Heißwasser. Sie eignet sich zum Brühen frisch gemahlene Kaffees, zur Verwendung von Kaffeekapseln oder Pads sowie zur Zubereitung von Tee und anderen Heißgetränken.



**la marzocco**

handmade in florence

# linea mini

Betriebsanleitung V1.1 - 04/2015



## la marzocco

handmade in florence

DE

## Kapitel

- |                                 |       |
|---------------------------------|-------|
| 1. Wichtige Sicherheitshinweise | S. 3  |
| 2. Allgemeine Informationen     | S. 5  |
| 3. Beschreibung des Gerätes     | S. 8  |
| 4. Installation                 | S. 9  |
| 5. Betrieb                      | S. 13 |
| 6. Hauptfunktionen              | S. 15 |
| 7. Wartung und Reinigung        | S. 16 |
| 8. Installationsanleitung       | S. 18 |

La Marzocco S.r.l.

Via La Torre 14/H  
Località La Torre  
50038 Scarperia e San Piero  
(Florence) - ITALY

[www.lamarzocco.com](http://www.lamarzocco.com)  
[info@lamarzocco.com](mailto:info@lamarzocco.com)

Tel.: +39 055 849 191  
Fax: +39 055 849 1990

Verfügbare Zertifikate:



**▲ ACHTUNG ▲**  
**BEWAHREN SIE DIESE ANLEITUNG AUF**

### WICHTIGE SICHERHEITSHINWEISE

Bei der Verwendung elektrischer Geräte müssen stets grundsätzliche Sicherheitsmaßnahmen beachtet werden, darunter die folgenden:

1. Lesen Sie die Anleitung vollständig durch.
2. Berühren Sie keine heißen Oberflächen. Verwenden Sie Haltegriffe und -vorrichtungen.
3. Tauchen Sie Netzkabel, Netzstecker oder nicht in Wasser oder andere Flüssigkeiten ein, um Feuer, elektrische Schläge und Verletzungen zu vermeiden.
4. Wenn das Gerät von Kindern verwendet wird oder sich Kinder in der Nähe aufhalten, ist eine sorgfältige Beaufsichtigung erforderlich.
5. Trennen Sie den Gerätestecker von der Steckdose, wenn das Gerät nicht verwendet wird oder gereinigt werden soll. Warten Sie, bis das Gerät abgekühlt ist, bevor Sie Teile anbringen oder entfernen oder das Gerät reinigen.
6. Betreiben Sie niemals ein Gerät, dessen Netzkabel oder Netzstecker beschädigt ist oder das irgendwelche Fehlfunktionen oder Beschädigungen aufweist.
7. Bringen Sie das Gerät zur nächsten autorisierten Serviceeinrichtung, um es untersuchen, reparieren oder justieren zu lassen.
7. Die Verwendung von nicht durch den Hersteller empfohlenem Zubehör kann zu Bränden, elektrischen Schlägen oder Verletzungen führen.
8. Verwenden Sie das Gerät nicht im Freien.
9. Lassen Sie das Netzkabel nicht über Kanten von Tischen oder Theken laufen. Bringen Sie das Netzkabel nicht in Kontakt mit heißen Oberflächen.

**ACHTUNG**  
**BEWAHREN SIE DIESE ANLEITUNG AUF**

## WICHTIGE SICHERHEITSHINWEISE

10. Platzieren Sie das Gerät nicht auf oder in der Nähe von Gasflammen oder Heizplatten oder in heißen Öfen.
11. Verbinden Sie das Netzkabel stets zuerst mit dem Gerät und erst dann mit der Steckdose. Um das Gerät vom Stromnetz zu trennen, stellen Sie zunächst alle Bedienschalter auf "aus" und entfernen dann den Netzstecker aus der Steckdose.
12. Verwenden Sie das Gerät ausschließlich zum vorgesehenen Zweck.
13. Bewahren Sie diese Anleitung auf.
14. Die Verwendung, Reinigung und Wartung dieser Kaffeemaschine durch Personen (einschließlich Kinder ab 8 Jahren) mit eingeschränkten körperlichen, sensorischen oder geistigen Fähigkeiten oder Mangel an Erfahrung und Wissen ist möglich, sofern sie von einer Person beaufsichtigt werden, welche für ihre Sicherheit verantwortlich ist, und sofern sie die Gefahren verstehen.  
Kinder müssen beaufsichtigt werden, um auszuschließen, dass mit dem Gerät gespielt wird.  
Halten Sie das Gerät und das
- Netzkabel außerhalb der Reichweite von Kindern unter 8 Jahren.
15. Alle Reparaturarbeiten müssen von Personen ausgeführt werden, die über entsprechende Kenntnisse und praktische Erfahrungen mit dem Gerät verfügen, vor allem dann, wenn Sicherheit und Hygiene betroffen sind.

## 2. Allgemeine Informationen

**ACHTUNG**

Der Hersteller lehnt jede Verantwortung ab, wenn die Erdung nicht nach den geltenden lokalen, nationalen und internationalen Richtlinien erfolgte und die elektrischen Kabel oder andere elektrische Teile nicht korrekt angeschlossen wurden.

**ACHTUNG**

Dieses Gerät ist nicht bestimmt zur Nutzung von Personen (einschließlich Kindern) mit eingeschränkten körperlichen, sensorischen bzw. geistigen Fähigkeiten, mangelnder Erfahrung bzw. fehlendem Wissen, sofern diese nicht durch eine für ihre Sicherheit verantwortliche Person eine Beaufsichtigung bzw. Anweisung für die Nutzung erfahren haben.

**ACHTUNG**

Gefährliche Spannung. Vor der Wartung vom Stromnetz trennen.

**ACHTUNG**

Die Maschine muss so installiert werden, dass sie für qualifizierte Techniker für Wartungseingriffe leicht zugänglich ist.

**ACHTUNG**

Positionieren bzw. lagern Sie die Kaffeemaschine nicht an Orten, an denen das Wasser im Boiler oder im Hydrauliksystem gefrieren könnte, um Beschädigungen und Lecks zu vermeiden.

Espresso-Kaffeemaschine, die grundsätzlich aus einem Brühbereich für Espresso-Kaffee und einem Dampfboiler besteht, der Dampf und Heißwasser für Tee liefert.

Dieses Gerät ist für die Verwendung im Haushalt und in ähnlichen Umfeldern vorgesehen, beispielsweise:

- in Personalküchen in Geschäften, Büros und anderen Arbeitsumgebungen;
- in Bauernhäusern;
- durch Kunden in Hotels, Motels und anderen Unterkünften;
- in Bed-and-Breakfast-Umgebungen.

### Über diese Bedienungsanleitung

1) Diese Bedienungsanleitung ist ein wesentlicher und wichtiger Bestandteil des Produkts und muss den Benutzern ausgehändigt werden. Alle Benutzer müssen die beigefügten Warnungen und Vorsichtsmaßnahmen

sorgfältig durchlesen, da diese wichtige Informationen zur Sicherheit bei Installation, Betrieb und Wartung enthalten.

Diese Bedienungsanleitung muss an einem sicheren Ort verwahrt und sowohl neuen wie auch erfahrenen Benutzern zugänglich gemacht werden.

### Auspacken des Gerätes

1) Gewährleisten Sie den einwandfreien Zustand des Produktes durch eine Überprüfung der Verpackung. Achten Sie darauf, dass die Verpackung keine Beschädigungen aufweist, die sich auf den Zustand des Gerätes hätten auswirken können.

2) Überprüfen Sie den einwandfreien Zustand des Gerätes, nachdem Sie vorsichtig die Verpackung entfernt haben. Verpackungsmaterialien (Kartons, Plastiktüten, Schaumgummitteile usw.) dürfen wegen der von ihnen ausgehenden Gefahren nicht in die Hände von Kindern gelangen und müssen korrekt entsorgt werden.

### Sicherheitshinweise

1) Überprüfen Sie, ob die auf dem Kennschild angegebenen elektrischen Anschlusswerte mit denen des Stromnetzes übereinstimmen, an das das Gerät angeschlossen wird. Dieses Gerät muss entsprechend der anwendbaren regionalen, staatlichen oder lokalen Bestimmungen installiert werden.

2) Die Installation muss entsprechend der lokalen Gesetzen und Regelungen für den

Strom- und Wasseranschluss erfolgen. Die Installation muss auch den Anweisungen des Herstellers entsprechen und darf nur von qualifiziertem Fachpersonal ausgeführt werden.

3) Eine falsche Installation kann zu Verletzungen oder Schäden bei Menschen, Tieren oder Sachen führen, für die der Hersteller keine Haftung übernimmt.

4) Ein sicherer elektrischer Betrieb dieses Gerätes kann nur gewährleistet werden, wenn der Anschluss an das Stromnetz korrekt ausgeführt wird und im Besonderen hinsichtlich der Erdung den nationalen und internationalen Vorschriften und Sicherheitsbestimmungen entspricht. Stellen Sie sicher, dass die Erdung korrekt erfolgt ist, da sie eine grundlegende Voraussetzung für die Sicherheit darstellt. Stellen Sie sicher, dass diese Anschlüsse von Fachpersonal kontrolliert werden.

5) Stellen Sie weiterhin sicher, dass die auf dem Kennschild angegebene Leistungsaufnahme des Gerätes das elektrische Netz nicht überlastet.

6) Wir empfehlen Ihnen, keine Adapter, Mehrfach-Steckdosen oder Verlängerungskabel zu verwenden. Sollte sich ihre Verwendung nicht

umgehen lassen, muss gewährleistet werden, dass sie den lokalen, nationalen und internationalen Vorschriften und Sicherheitsbestimmungen entsprechen, wobei darauf zu achten ist, dass die auf diesen Adaptern und Verlängerungskabeln angegebenen Leistungs- und Stromwerte nicht überschritten werden.

7) Dieses Gerät darf ausschließlich für den Zweck, für den es entworfen und gebaut wurde, benutzt werden. Jede andere Verwendung ist unsachgemäß und gefährlich.

Der Hersteller kann nicht für Schäden durch einen unsachgemäßen und/oder Vernunftwidrigen Gebrauch haftbar gemacht werden.

8) Die Benutzung eines elektrischen Gerätes erfordert die Beachtung einiger grundsätzlicher Regeln. d.h. im Einzelnen:

- Berühren sie das Gerät nicht mit nassen oder feuchten Händen und Füßen
- Benutzen Sie das Gerät nicht barfuß
- Benutzen Sie keine Verlängerungskabel in Badezimmern oder Duschen
- Trennen Sie das Gerät nicht durch Ziehen am Kabel von der Steckdose
- Setzen Sie das Gerät keinen Witterungseinflüssen aus

- Lassen Sie das Gerät nicht von Kindern oder unerfahrenen Personen bedienen

**9)** Drehen Sie, bevor Wartungs- und/oder Reinigungsarbeiten an diesem Gerät durchgeführt werden (ausgenommen des Rückspülens der Brühgruppen), den Hauptschalter auf „0“ und unterbrechen Sie die Stromzufuhr durch Ziehen des Netzsteckers oder Deaktivieren des entsprechenden Trennschalters. Beachten Sie bei allen Reinigungsarbeiten ausschließlich den Anweisungen in dieser Bedienungsanleitung.

**10)** Unterbrechen Sie, falls das Gerät fehlerhaft oder gar nicht mehr arbeitet, die Stromzufuhr ( wie im vorhergehenden Punkt beschrieben). Versuchen Sie nicht, das Gerät zu reparieren. Wenden Sie

sich an zugelassenes Fachpersonal, um Reparaturen durchführen zu lassen. Alle Reparaturen dürfen unter ausschließlicher Verwendung von Original-Ersatzteilen vom Hersteller oder von einem zugelassenen Fachbetrieb durchgeführt werden. Die Nichtbeachtung dieser Vorschrift kann den sicheren Betrieb dieses Gerätes in Frage stellen.

**11)** Um gefährlichen Überhitzungsproblemen entgegenzuwirken, wird empfohlen, das Netzkabel vollständig zu entrollen.

**12)** Verstopfen Sie keine Lufteinlässe oder Luftauslässe und benutzen Sie insbesondere keine Geschirrtücher oder andere Gegenstände zum Abdecken der Tassenablage.

**13)** Das Netzkabel dieses Gerätes darf nicht vom Benutzer ersetzt werden. Schalten Sie im Falle einer Beschädigung des Netzkabels das Gerät aus und ziehen Sie den Netzstecker bzw. schalten Sie den entsprechenden Trennschalter aus, um das Gerät vom Stromnetz zu trennen. Schließen Sie zudem die Wasserversorgung. Lassen Sie das Netzkabel ausschließlich von zugelassenem Fachpersonal austauschen.

**14)** Diese Anleitungen sind auch in einem alternativen Format auf einer Website verfügbar.

### 3. Beschreibung des Gerätes

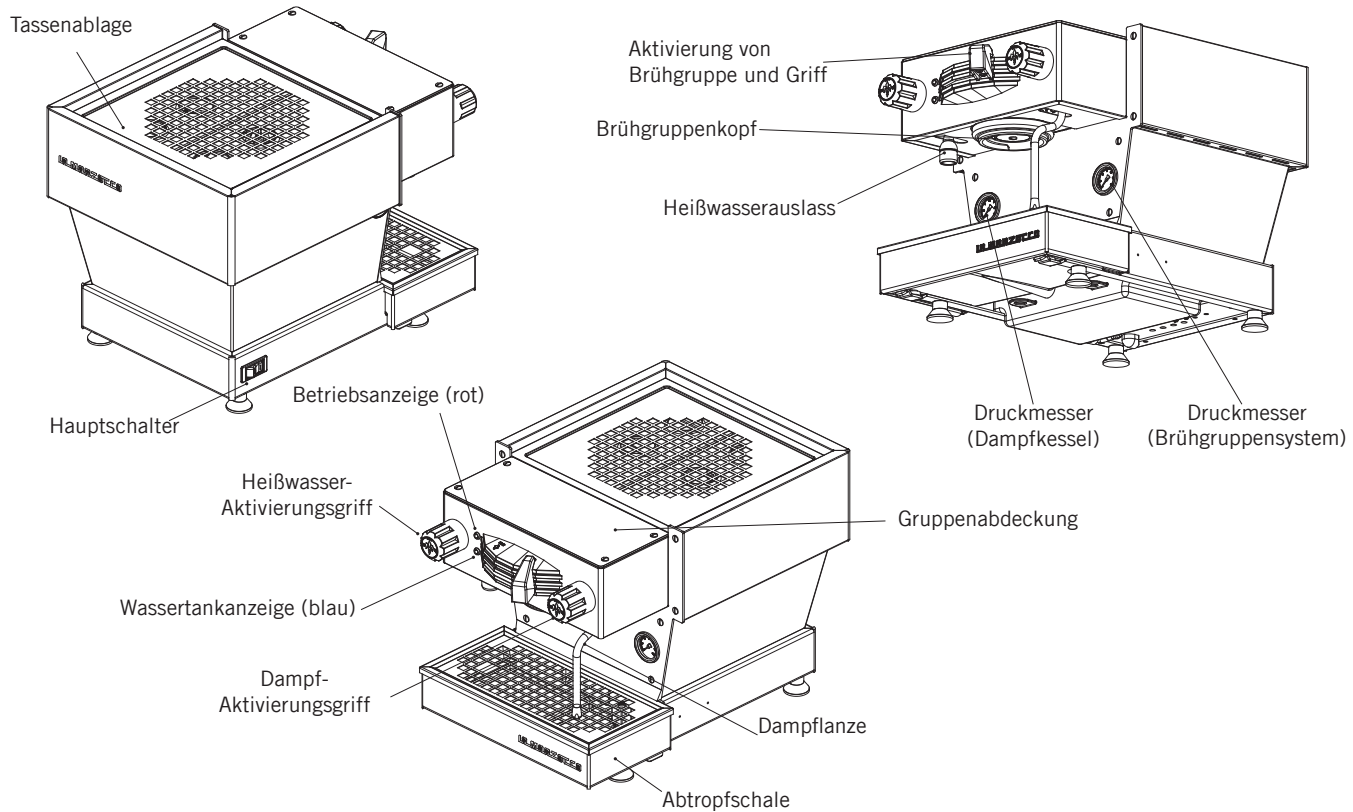


Abbildung 1 – Beschreibung des Gerätes



## 4. Installation

### ▲ ACHTUNG ▲

**Die Kaffeemaschine Waagrecht auf einer Theke aufstellen, die mindestens 90cm vom Boden entfernt ist.**

### ▲ ACHTUNG ▲

**Aus dem Expansionsventil kann heißes Wasser mit bis zu 93°C austreten. Beim Umgang mit diesen Bauteilen ist ein angemessener Schutz erforderlich, bevor Einstellungen vorgenommen werden.**

### ▲ ACHTUNG ▲

**Diese Maschine ist nicht für die Verwendung im Freien bestimmt.**

#### Hinweis:

- Minimale Raumtemperatur: **5°C**
- Maximale Raumtemperatur: **32°C**
- Der gewichtete Schalldruckpegel der Maschine liegt unter 70dBA.

#### Installation der espressomaschine linea mini

##### 1) Füllen des Wassertanks mit Wasser.

Sobald das Gerät ausgepackt, auf einem ebenen, harten Untergrund gestellt. Entfernen Sie die Abtropfschale und ziehen Sie den Wassertank heraus, bis der Tankdeckel zugänglich ist. Entfernen Sie den Tankdeckel und füllen Sie den Wassertank mit gefiltertem Wasser. Setzen Sie den Tankdeckel wieder auf und schieben Sie den Wassertank zurück in seine Arbeitsposition. Setzen Sie die Abtropfschale wieder ein. Gehen Sie zum Anschluss des Gerätes an die Wasserleitung entsprechend den Anweisungen in der Installationsanleitung sowie gemäß allen lokalen / nationalen Sicherheitsstandards am Installationsort des Gerätes vor.

Zur Gewährleistung eines richtigen und sicheren Gerätebetriebs sowie zur Aufrechterhaltung einer angemessenen Leistung und hohen Qualität der zubereiteten Getränke ist es wichtig, dass das zugeführte Wasser eine Härte von mehr als 9°f (90 ppm, 5°d) sowie weniger als 15°f (150 ppm, 8,4°F) hat. Der pH-Wert sollte zwischen 6,5 und 8,5 liegen und der Chlorgehalt unter 50 mg/l. Bei Einhaltung dieser Werte kann das Gerät mit höchster Effizienz arbeiten. Sollten diese Parameter nicht erfüllt sein, muss wiederum entsprechend der lokalen und

nationalen Standards zum Trinkwasser eine spezielle Filtervorrichtung installiert werden.

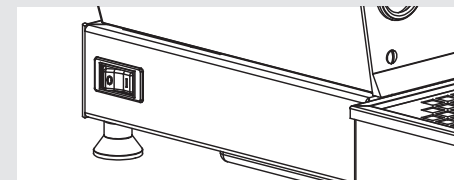
##### 2) Verbinden der espressomaschine mit dem Stromnetz.

Verbinden Sie die espressomaschine entsprechend der Aufschrift auf dem Kennschild des Gerätes mit dem Stromnetz.

##### 3) Füllen der Kessel mit Wasser.

Führen Sie die folgenden Schritte aus, um die Kessel zu füllen:

**Dampfkessel:** Stellen Sie den Hauptschalter auf Position „1“. Das automatische Befüllsystem für den Dampfkessel wird aktiviert und die Wasserpumpe sowie das Magnetventil zum automatischen Füllen des Kessels beginnen zu arbeiten. Der Dampfkessel wird bis zu einer voreingestellten Füllhöhe gefüllt. Dann schaltet sich die Pumpe automatisch ab.



**HINWEIS: Es kann nötig sein, den Wassertank währenddessen wieder aufzufüllen.**

**Brühgruppensystem:** Das Brühgruppensystem wird automatisch gefüllt, sobald die Pumpe aktiviert wird. Wenn die linea mini eingeschaltet wird, aktiviert die Elektronik die Pumpe, um beide Kessel zu füllen.

#### 4) Kontrolle des Füllens der Kessel.

Die Installation ist jetzt beendet und das Gerät sollte bis zur Betriebstemperatur aufheizen.

#### Brühen nach der ersten Installation

Sobald der Vorgang zur ersten Installation beendet ist und vor dem Zubereiten von Kaffee, heißem Wasser und Dampf führen Sie bitte folgende Schritte aus:

- Bringen Sie den Siebträger durch Einschieben in den Brühgruppenkopf und Drehen des Griffs von links nach rechts an. Sobald der Siebträger richtig angebracht wurde, können Sie das Paddel auf der linken Seite bewegen, um den Wasserfluss durch den Siebträger zu starten. Lassen Sie mindestens zwei Minuten lang kochendes Wasser durch die Brühgruppe laufen.

- Gehen Sie vorsichtig vor, um Verbrennungen zu vermeiden. Schalten Sie jede Dampfmaschine mindestens eine Minute ein.

- Schalten Sie das Heißwasserventil über die erforderliche Zeit ein, damit mindestens 1 Liter Wasser gebrüht wird.

#### 5) Warten auf das Aufheizen der Espressomaschine bis zur Betriebstemperatur.

Während dieser Wartezeit sollte der Druckmesser für das Brühgruppensystem höchstens 12 bar erreichen. Dies kann jederzeit geschehen, wenn sich die Heizelemente im Status „On“ befinden. Übersteigt der Druck 12 bar muss das Expansionsventil so eingestellt werden, dass der Druck niemals 12 bar überschreitet.

Unter normalen Betriebsbedingungen kann der Druckmesser für das Brühgruppensystem alle Werte zwischen 0 bar und 12 bar anzeigen. Während des Brühvorgangs sollte der Wert etwa 9 bar betragen.

Die Maschine ist bereit zum Kochen von Wasser, wenn die Betriebsanzeige (rot) leuchtet.

In der Aufwärmphase der Maschine blinkt die Betriebsanzeige (rot).

**HINWEIS: Während der Dampfmaschine die Betriebstemperatur erreicht, hören Sie unter Umständen, dass Luft und Dampf aus dem Kessel entweichen. Dies ist normal. Sobald das Wasser im Kessel zu kochen beginnt, wird die Luft durch Wasserdampf ersetzt und entweicht über das Entlüftungsventil. Wenn**

**der Dampfmaschine die Betriebstemperatur beinahe erreicht hat, schließt dieses Entlüftungsventil und der Dampf kann nicht länger entweichen. Dieser Prozess erlaubt es der Luft, aus dem Kessel zu entweichen und durch Wasserdampf ersetzt zu werden.**

#### 6) Maschinenplakette:

CE-Plakette



ETL-Plakette



### 7) Einstellen des Expansionsventils.

Das Expansionsventil ist ein Bauteil, das den maximalen Druck im Brühgruppensystem regelt. Durch Aufheizen des Brühgruppensystems kommt es zu einer Ausdehnung des Wassers. Da das Brühgruppensystem vollständig gefüllt ist, sorgt das sich ausdehnende Wasser für einen Druckanstieg im Kessel. Ohne eine Sicherheitsvorrichtung könnte der Druckanstieg eine Beschädigung des Kessels verursachen. Der Druck im Brühgruppensystem darf 12 bar niemals übersteigen. Drehen Sie das Expansionsventil im Uhrzeigersinn, um den Druck im Wasserkessel zu erhöhen. Drehen Sie es entgegen dem Uhrzeigersinn, um den Druck zu verringern (siehe in der folgenden Abbildung).

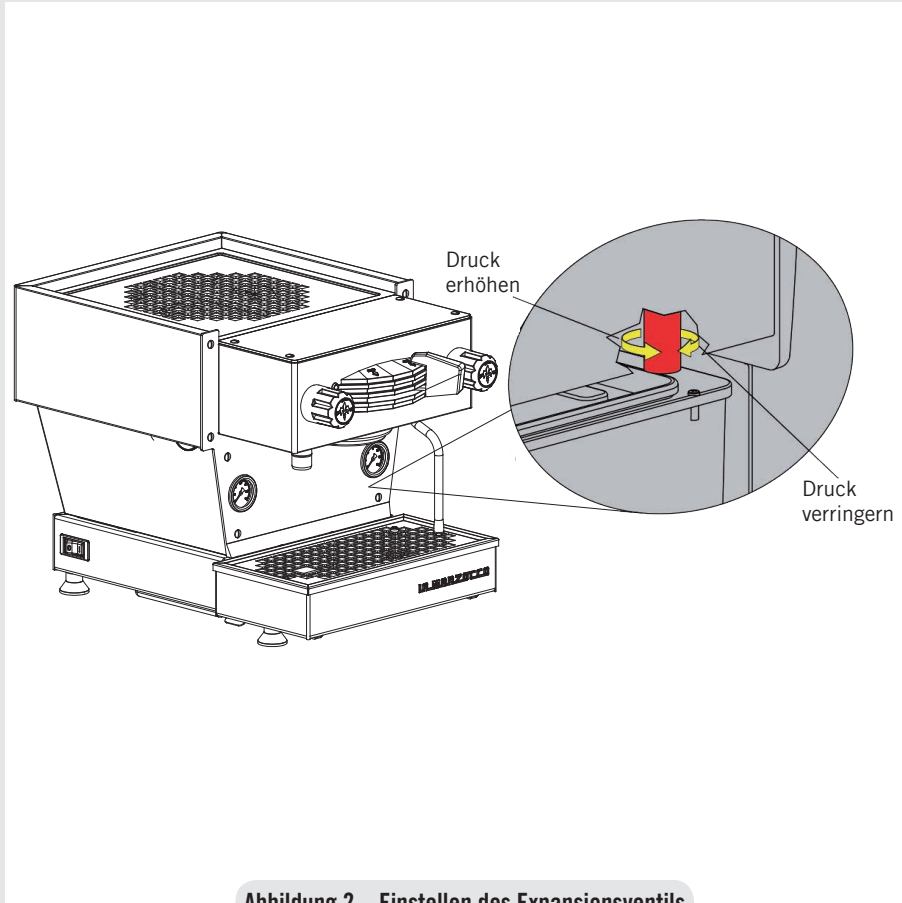


Abbildung 2 – Einstellen des Expansionsventils

### 8) Einstellen des Wasserpumpendrucks.

Die Wasserpumpe ist werksseitig auf einen Druck von 9 bar eingestellt. Falls es nötig sein sollte, diesen Wert zu verändern, folgen Sie bitte dieser Anleitung:

1. Entfernen Sie die obere und die untere Ablage.
2. Suchen Sie die Einstellschraube der Wasserpumpe und lösen Sie die Kontermutter.
3. Stellen Sie den Druck der Wasserpumpe auf den gewünschten Wert ein.
4. Drehen Sie im Uhrzeigersinn, um den Druck zu erhöhen, und gegen den Uhrzeigersinn, um den Druck zu verringern.

**HINWEIS:** Der Druck der Wasserpumpe sollte eingestellt werden, wenn das Gerät in Betrieb ist und sich gemahlener Kaffee im Siebträger befindet.

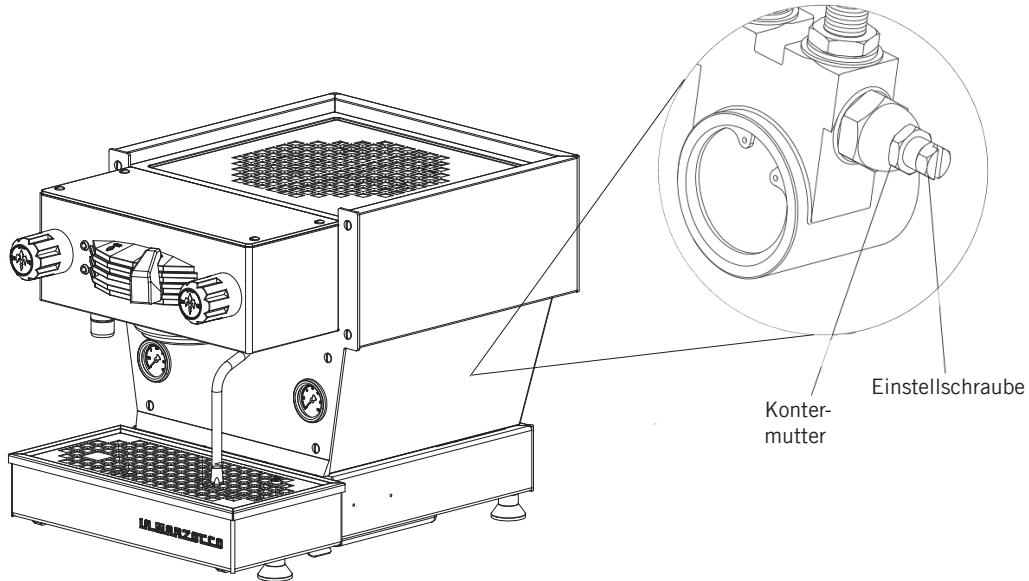


Abbildung 3 – Einstellen des Wasserpumpendrucks

**ACHTUNG**  
**Das Brühgruppensystem und der Dampfkessel enthalten sehr heißes Wasser. Eine Wassertemperatur von über 52°C kann zu schweren Verbrennungen oder zum Tod durch Verbrühung führen (Brühgruppensystem 93,3°C - Dampfkessel 127°C)**

**ACHTUNG**  
**Die Maschine zur Reinigung nicht in Wasser tauchen bzw. mit Wasser bespritzen. Für die Reinigungsvorgänge die nachfolgend aufgeführten Anleitungen aufmerksam lesen.**

**ACHTUNG**  
**Diese Maschine ist ausschließlich für die Zubereitung von Kaffee und Heißgetränken vorgesehen.**

### 1. Einsetzen der Siebträger.

Setzen Sie den Siebträger in den Brühgruppenkopf ein und drehen Sie ihn von links nach rechts. Sobald der Siebträger richtig angebracht wurde, können Sie den Paddelgriff von rechts nach links bewegen, um den Wasserfluss durch den Siebträger zu starten. Es ist wichtig, dass der Siebträger die Betriebstemperatur erreicht hat, bevor er mit Kaffee gefüllt wird.

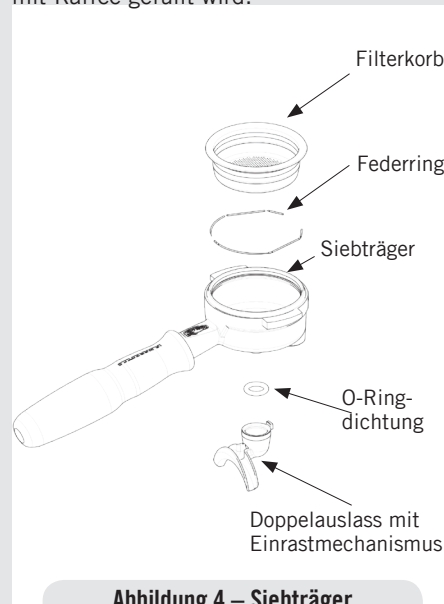


Abbildung 4 – Siebträger

Lassen Sie für einige Sekunden heißes Wasser durch den leeren Siebträger laufen, um ihn vorzuwärmen.

**HINWEIS:** Es ist wichtig, den Siebträger im Gerät eingespannt zu lassen, wenn er nicht benutzt wird. Der Siebträger muss für den Brühvorgang vorgewärmt sein, damit er richtig funktioniert.

**2. Brühen von Kaffee:** Jetzt können Sie den Siebträger entfernen, um ein Kaffeegetränk zuzubereiten. Füllen Sie den Siebträger mit dem Einzel- oder Doppelsieb mit gemahlenem Kaffee. Pressen Sie den gemahlene Kaffee mit dem mitgelieferten Stopfer und setzen Sie den Siebträger in die linea mini ein. Um den Brühvorgang zu starten, bewegen Sie den Griff von rechts nach links (siehe Abb.1 Seite 8).

**HINWEIS:** Einige Benutzer sind der Überzeugung, dass es vor dem Einspannen des Siebträgers nötig ist, etwas Wasser durch die Brühgruppe fließen zu lassen, um eventuelle Kaffeerückstände und andere Partikel von der Brühgruppe abzuspielen. Andere spülen aus dem gleichen Grund nach jedem Brühvorgang. Bitte erproben Sie die für Sie beste Vorgehensweise. Es gibt viele Techniken, um Espresso zu brühen. Sie können die Beschreibung

vieler Techniken auf Webseiten, in Blogs sowie Foren finden. Einige werden auch von professionellen Betreiber von Kaffee-Bars weltweit erstellt.

### 3. Dampfzange.

Damit das gesamte kondensierte Wasser in der Dampfzange abgegeben werden kann, müssen Sie IMMER etwas Dampf durch Einschalten des Ventils ablassen, bevor Sie die Dampfzange in den Behälter mit der zu erhitzenden Flüssigkeit einführen.

Tauchen Sie die Dampfzange in die zu erhitzende Flüssigkeit. Drehen Sie den Dampfnebel, um den Aufschäumvorgang zu starten.

Das Dampfventil weist eine variable Ausströmsteuerung auf. Das Dampfventil arretiert nur in der vollständig geöffneten Position.

Der Dampf überträgt die Wärme auf die Flüssigkeit, wodurch deren Temperatur steigt. Achten Sie darauf, dass die Flüssigkeit nicht überläuft, um schwere Verbrennungen zu vermeiden.

Milch für Cappuccino und andere Getränke aufzuschäumen ist sehr leicht, erfordert aber einige Übung. Bitte probieren Sie verschiedene Techniken aus, um die für Sie beste Methode zum Aufschäumen der Milch zu finden. Im Internet finden Sie viele Diskussionen über das richtige Aufschäumen von Milch.

14

**HINWEIS:** Es ist wichtig, eine ausreichende Menge an Flüssigkeit im Milchkännchen zu haben. Wenn Sie also eine kleine Menge Milch aufschäumen wollen, sollten Sie auch ein kleines Milchkännchen benutzen. Wenn Sie größere Mengen aufschäumen wollen, sollten Sie ein größeres Milchkännchen benutzen.

Bei zu wenig Milch im Milchkännchen kann es passieren, dass die Milch aus dem Kännchen "herausspritzt". Als gute Regel sollte ein etwa zur Hälfte gefülltes Milchkännchen verwendet werden.

**HINWEIS:** Um zu verhindern, dass Flüssigkeiten in den Dampfkessel gezogen werden, sollten Sie das Dampfsystem nach jedem Erhitzen von Flüssigkeiten kurz durchspülen.

Reinigen Sie das System, indem Sie das Dampfventil für einige Sekunden öffnen, um Dampf in die Umgebung entweichen zu lassen

### 4. Ausgabe von heißem Wasser.

Sie können heißes Wasser über den Heißwasserauslass beziehen. Um heißes Wasser auszugeben, drehen Sie die linke Taste (siehe Abb.1 Seite 8).

Diese Taste aktiviert die Bereitstellung von heißem Wasser.



Abbildung 5 - Heißwassergriff

**ACHTUNG**  
Wenn die oben genannten Anweisungen nicht befolgt werden, kann der Hersteller nicht für Personen- und Sachschäden verantwortlich gemacht werden.

### 1. Ausgabe von heißem Wasser.

Heißes Wasser kann aus der Heißwasserlanze links am Gerät bezogen werden. Dies wird durch Drehen des linken Knopfs erreicht (s. Seite 8, Abb.1).

### 2. Allgemeine Hinweise zur Kaffeezubereitung.

Die Siebträger müssen vorgewärmt sein, weil sie sich einerseits am tiefsten Punkt der Brühgruppe befinden und andererseits von dieser durch die Siebträgerdichtung aus Gummi teilweise isoliert sind. Am einfachsten kann dies erreicht werden, indem die Siebträger im Gerät auch wenn man das Gerät im Moment nicht benutzt. Die Siebträger können aber auch vorgewärmt werden, indem man durch Drücken einer Bezugstaste heißes Wasser durch die Siebträger laufen lässt.

### 3. Mahlen von Kaffee.

Der Mahlgrad des Kaffeemehls ist ebenso wie die verwendete Kaffeemischung für die

Zubereitung eines guten Espresso äußerst wichtig. Der ideale Mahlgrad kann Zubereitung mehrerer Kaffees mit der üblicherweise verwendeten Menge an gemahlenem Kaffee bestimmt werden (wir empfehlen mindestens 6g). Der beste Mahlgrad ist erreicht, wenn der Kaffee nicht zu langsam, d.h. tropfenweise, und nicht zu schnell aus dem Auslass fließt. Als Richtwert sollten bei einer doppelten Menge etwa 60ml Espresso in etwa 25 Sekunden ausfließen. Die Brühdauer kann durch Variieren des Mahlgrades eingestellt werden.

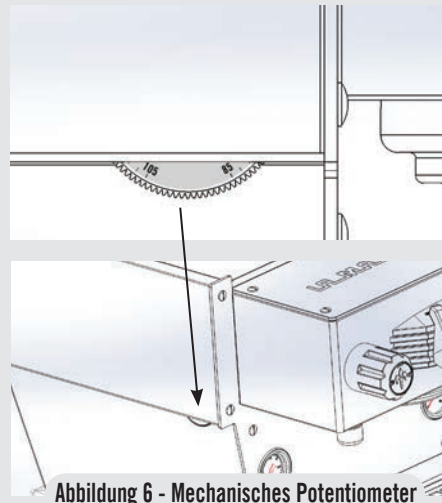


Abbildung 6 - Mechanisches Potentiometer

### N.B.

Wurde das Gerät über mehr als 8 Stunden nicht benutzt, bzw. in jedem Falle nach einem langen Leerlauf, ist es notwendig, damit das Gerät bei voller Leistung benutzt werden kann, vor dem Zubereiten von Getränken wie folgt einige Reinigungszyklen auszuführen:

- Brühgruppen: Lassen Sie bei in den Brühgruppen eingesetzten Siebträgern mindestens für 2 Minuten Wasser durch jeden dieser laufen.
- Gehen Sie vorsichtig vor, um Verbrennungen zu vermeiden. Schalten Sie jede Dampfzange mindestens eine Minute ein.
- Schalten Sie das Heißwasserventil so lange ein, wie notwendig ist, um 1 Liter Wasser auszugeben.
- Bei Verwendung des Gerätes mit Wasserbehälter muss das Wasser darin täglich gewechselt werden.

Wird das Gerät über einen langen Zeitraum nicht verwendet, sollten diese Sicherheitshinweise beachtet werden:

- Trennen Sie das Gerät vom Wassernetz oder unterbrechen Sie die Wasserzufuhr über einen Absperrhahn.
- Trennen Sie das Gerät vom Stromnetz.

## 7. Wartung und Reinigung

### ▲ ACHTUNG ▲

Es dürfen keine Wasserstrahlen zur Reinigung der Maschine verwendet werden, ebenfalls sollte Sie nicht in Umgebungen aufgestellt werden, in denen Wasserstrahlen verwendet werden.

### ▲ ACHTUNG ▲

Entfernen Sie den Siebträger während des Brühvorgangs nicht. Das Brühgruppensystem enthält sehr heißes Wasser. Eine Wassertemperatur über 52°C kann schwere Verbrennungen oder sogar den Tod verursachen.

### ▲ ACHTUNG ▲

Die Maschine zur Reinigung nicht in Wasser tauchen bzw. mit Wasser bespritzen. Beachten Sie zur Reinigung bitte genau die Anweisungen.

### ▲ ACHTUNG ▲

Aus dem Expansionsventil kann heißes Wasser mit bis zu 93°C austreten. Beim Umgang mit diesen Bauteilen ist ein angemessener Schutz erforderlich, bevor Einstellungen vorgenommen werden.

### ▲ ACHTUNG ▲

Diese Maschine ist ausschließlich für die Zubereitung von Kaffee und Heißgetränken vorgesehen.

#### Tägliche Reinigung

##### 1. Reinigung des Verteilersiebs.

Durch die Entleerung (nach dem Kaffeebrühen) können sich kleine Mengen von gemahlenem Kaffee ansammeln und das Verteilersieb ganz oder teilweise verstopfen. Schalten Sie das Gerät aus und entfernen Sie das Verteilersieb durch Lösen der Verteilerschraube. Weichen Sie es gemäß der Anweisungen des Reinigungsmittelherstellers in einer Flüssigkeit mit Kaffeefettlöser ein. Spülen Sie alle Teile mit sauberen Wasser ab. Montieren Sie das Verteilersieb wieder und spülen Sie den Brühgruppenkopf mehrmals bei eingebautem Sieb.

##### 2. Reinigung des Brühsystems.

Setzen Sie das Blindsieb in einen der mitgelieferten Siebträger ein. Geben Sie die richtige Menge Kaffeefettlöser für Espressomaschinen (gemäß den Angaben des Herstellers) in den Filter und setzen Sie den Siebträger in die zu reinigende Brühgruppe ein.

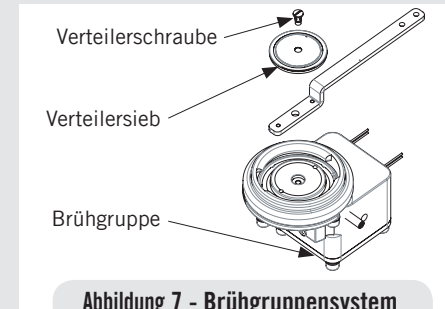


Abbildung 7 - Brühgruppensystem

- Drücken Sie die Brühtaste für die genannten Gruppen, als wenn Sie eine normale Tasse Kaffee zubereiten würden. Drehen Sie das Wasser nach ca. 15-20 Sekunden zu.
- Starten und stoppen Sie die Gruppe mehrmals, bis Sie sehen, dass klares Wasser anstatt Seifenwasser ausläuft, wenn Sie den Siebträger entfernen. Entfernen Sie nicht den Siebträger, wenn die Gruppe Wasser erhitzt.
- Spülen Sie die Gruppe mit einem normalen Sieb im Siebträger, indem Sie mehrmals heißes Wasser durchlaufen lassen.



### 3. Reinigung des Gehäuses.

Wischen Sie alle Edelstahl-Oberflächen mit einem weichen, nicht scheuernden Tuch in Richtung der eventuell vorhandenen Bürstung ab. Verwenden Sie, um Beschädigungen zu vermeiden, keinen Alkohol oder Lösungsmittel o.ä. auf lackierten oder bedruckten bzw. auf Kunststoffteilen. Reinigen Sie die Seitenblenden mit einem weichen Tuch. Sprühen Sie keine Flüssigkeiten auf die Tastatur oder das Display. Reinigen Sie diese mit einem feuchten, weichen Tuch.

### 4. Reinigung der Dampfpflanze und des Heißwasserauslasses.

Die Dampfdüsen müssen sofort nach Gebrauch mit einem feuchten Tuch von außen gereinigt werden. Außerdem muss durch einen Dampfstoß ein kurzes Öffnen des Dampfventils hervorgerufen werden, um Ablagerungen im Innern der Düsen zu vermeiden, die den Geschmack der zu erhaltenden Getränke beeinträchtigen könnten. Die Heißwasserdüsen müssen regelmäßig mit einem feuchten Tuch gereinigt werden. Tauchen Sie, wenn Milchrückstände auf der Dampfpflanze verbleiben, deren Spitze in ein Gefäß mit heißem Wasser und wischen Sie dann die Spitze sauber. Wiederholen Sie diesen

Vorgang, bis keine Rückstände mehr vorhanden sind.

**HINWEIS:** Dieser Reinigungsplan bezieht sich auf moderaten bis durchschnittlichen Gebrauch (20-300 Tassen täglich) des Gerätes. Wird das Gerät seltener benutzt, kann der Reinigungsplan entsprechend angepasst werden.

#### Regelmäßige Reinigung

**1. Ablassen der Kessel:** Sowohl das Brühgruppensystem wie auch der Dampfkessel können abgelassen und wieder gefüllt werden, um die Gefahr von mineralischen Ablagerungen an den Kesselwänden zu verringern. Mit diesem Vorgang kann auch Wasser entfernt werden, das einen schlechten Geruch oder Geschmack hat.

**Ablassen des Dampfkessels:** Schalten Sie das Gerät aus. Entfernen Sie die hintere Blende. Suchen Sie das Kugelventil auf der unteren rechten Seite des Gerätes. Halten Sie das Kugelventil mit einem Werkzeug fest und entfernen Sie die Messing-Verschlusskappe am Ventil. Bringen Sie das Gerät in die Nähe eines Abflusses und kippen Sie es an einer Ecke, so dass das Kugelventil in Richtung des Abflusses zeigt.

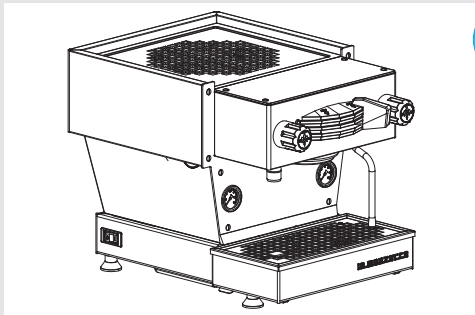
**Ablassen des Brühgruppensystems:** Schalten Sie das Gerät aus. Lösen Sie unter Einsatz einer angemessenen Schutzvorrichtung oder eines geeigneten Werkzeuges das Expansionsventil, bis das Wasser frei aus dem Gerät fließt. Öffnen Sie dann das Kugelventil auf der linken Seite.

**2. Reinigung des Wasserbehälters:** Der Wasserbehälter muss regelmäßig gereinigt werden, um eine Algenbildung an den Innenseiten des Behälters zu verhindern. Entfernen Sie zur Reinigung zunächst den Wasserbehälter vom Gerät. Lösen Sie den durchsichtigen Schlauch der Wasserzufuhr. Entfernen Sie alle Schrauben, um die Teile zu zerlegen. Reinigen Sie die Teile in warmem Seifenwasser. Alle Teile sind spülmaschinengeeignet.

## 8. Installationsanleitung

---

- |  |       |  |       |
|--|-------|--|-------|
| 1. Auspacken der<br>Espressomaschine linea mini  | S. 19 | 7. Einstellen des Expansionsventils        | S. 23 |
| 2. Füllen mit Wasser (Erstbefüllung)             | S. 19 | 8. Überwachen des Drucks im Dampfkessel    | S. 24 |
| 3. Montage der Abtropfschale                     | S. 20 | 9. Brühen eines Espresso                   | S. 25 |
| 4. Anschluss der Stromversorgung                 | S. 20 | 10. Kontrolle des Betriebsdrucks im Kessel | S. 25 |
| 5. Einschalten der Stromversorgung               | S. 21 | 11. Temperatur des Wasserkessels           | S. 26 |
| 6. Überwachen des Drucks<br>im Brühgruppensystem | S. 22 | 12. Temperatur des Dampfkessels            | S. 26 |



1

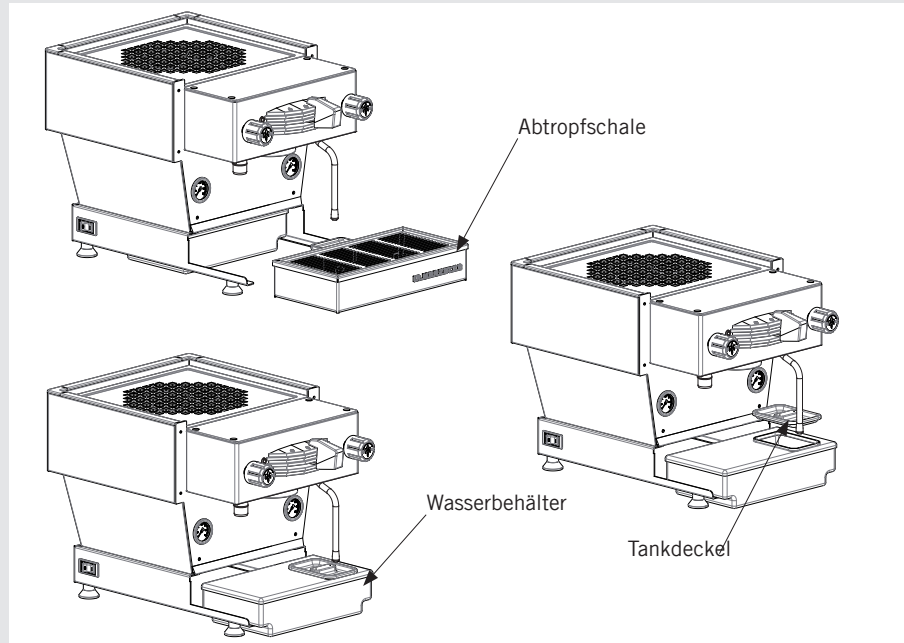
Packen Sie die Espressomaschine aus und stellen Sie sie auf einer ebenen Fläche auf. Kontrollieren Sie, ob alles Zubehör vorhanden ist. Kontrollieren Sie die Espressomaschine auf eventuelle sichtbare Schäden.

**ACHTUNG**  
 Die Kaffeemaschine Waagrecht auf einer Theke aufstellen, die mindestens 90cm vom Boden entfernt ist.

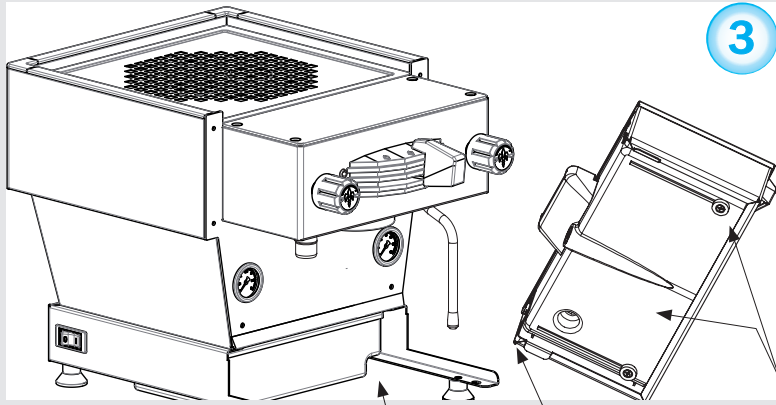
2

Entfernen/Öffnen Sie den Tankdeckel und füllen Sie den Wasserbehälter mit gefiltertem Wasser. Schieben Sie den Wasserbehälter zurück in seine Position und montieren Sie die Abtropfschale. Stellen Sie sicher, dass die Abtropfschale korrekt montiert ist. Der Wasserbehälter muss mit den Messfühlern auf der Rückseite des Gerätes Kontakt haben.

**HINWEIS:** Das Gerät linea mini ist auf einen Betrieb mit Wasserbehälter ausgelegt.



DE



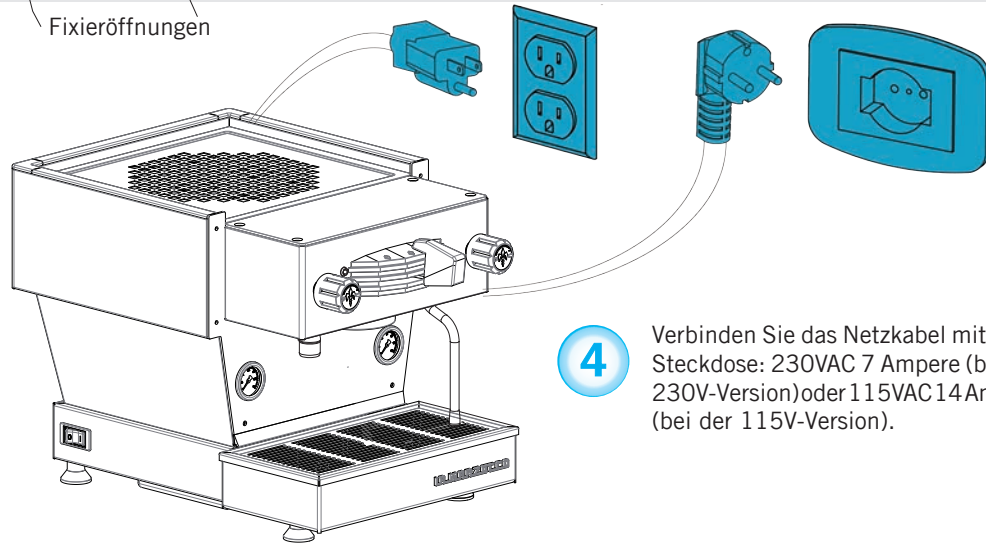
### 3 WICHTIGER HINWEIS:

Die Abtropfschale muss korrekt montiert sein, damit das Gerät funktioniert. Die Abtropfschale hat zwei Magneten, die in die Magnetaufnahmen am Rahmen der linea mini greifen. Bei der Montage der Abtropfschale ist darauf zu achten, dass diese Magneten richtig in den Magnetaufnahmen sitzen. Dazu kann es nötig sein, die Abtropfschale mit sanftem Druck in ihre richtige Position zu bringen.

Wenn die Maschine eingeschaltet und der Wassertank voll ist, leuchtet die Wassertankanzeige (blau). Wenn der Wassertank leer ist, blinkt die Wassertankanzeige (blau).

Fixiermagnete und Magnetaufnahmen

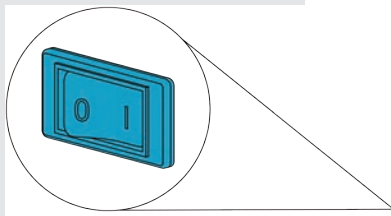
Fixieröffnungen



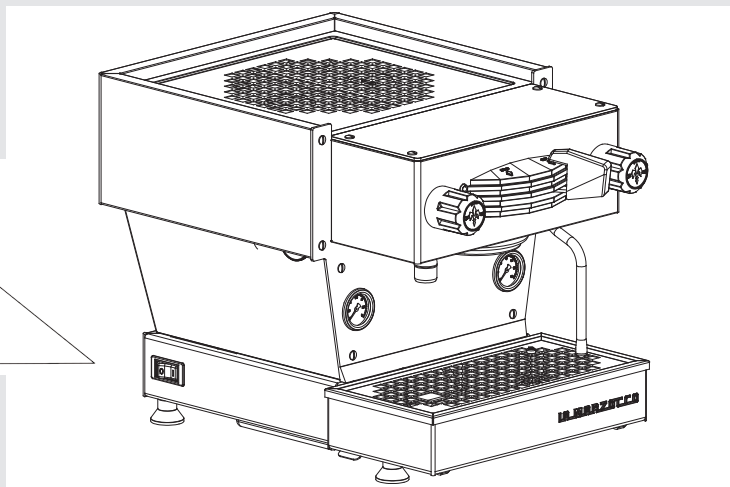
### 4

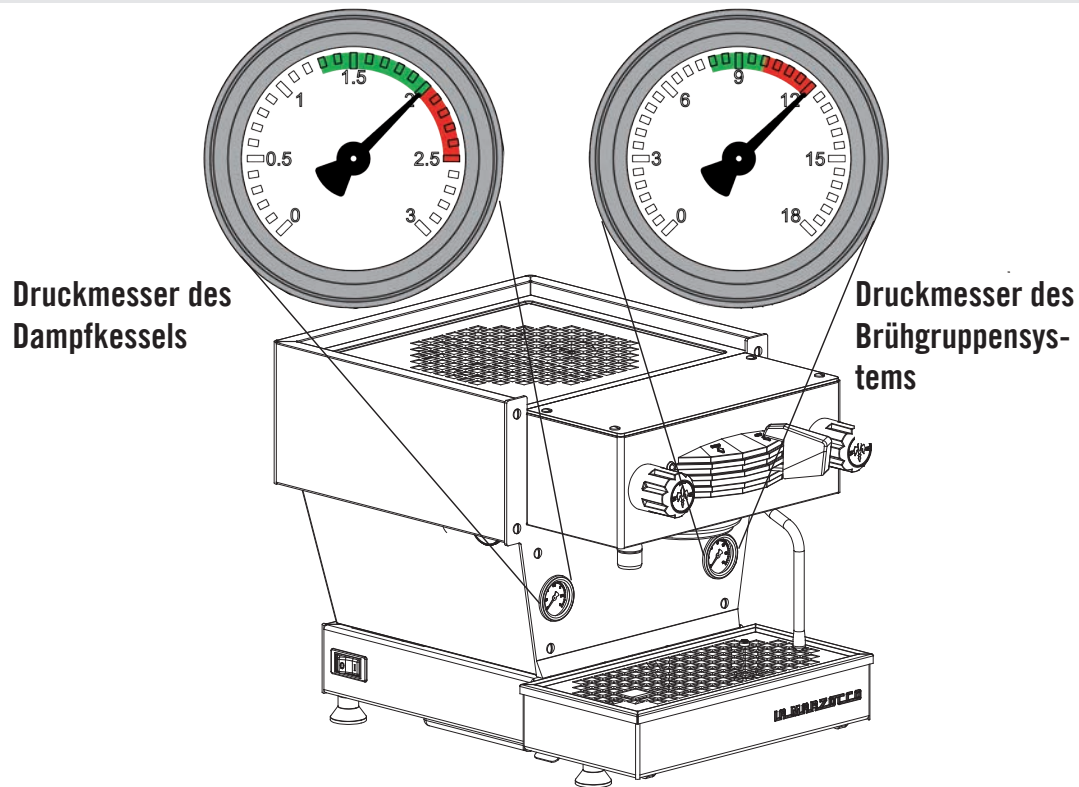
Verbinden Sie das Netzkabel mit einer Steckdose: 230VAC 7 Ampere (bei der 230V-Version) oder 115VAC 14 Ampere (bei der 115V-Version).

**▲ ACHTUNG ▲**  
Der Hersteller lehnt jede Verantwortung ab, wenn die Erdung nicht nach den geltenden lokalen, nationalen und internationalen Richtlinien erfolgte und die elektrischen Kabel oder andere elektrische Teile nicht korrekt angeschlossen wurden.

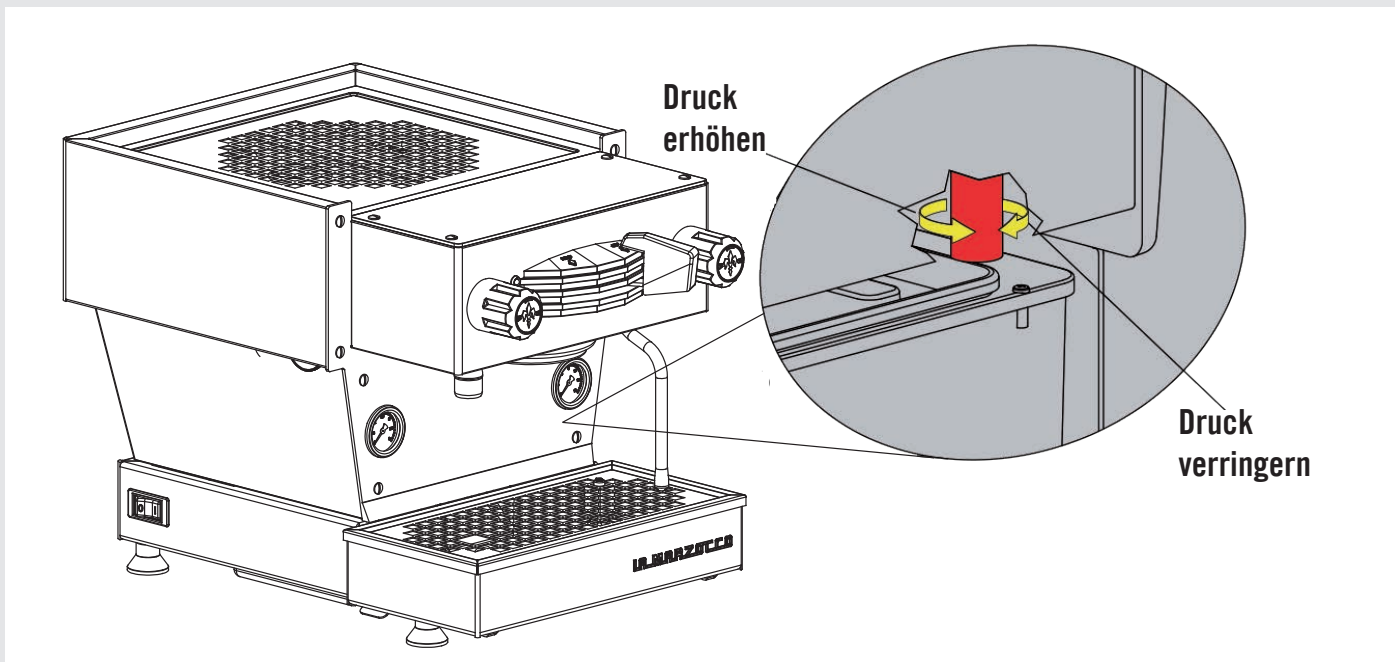


- 5** Schalten Sie die Stromversorgung durch Drücken des Hauptschalters ein. Der Hauptschalter befindet sich links auf der Rückseite des Gerätes.



**6**

Als nächstes muss das Expansionsventil kontrolliert werden. Wenn das Brühgruppensystem auf Betriebstemperatur gebracht wird, steigt der Druck im Brühgruppensystem. Hinter der Abtropfschale befindet sich ein Expansionsventil, das während dieses Vorgangs eine geringe Menge Wasser aus dem Kessel entweichen lässt, um den maximalen Brühgruppensystemsdruck auf 12 bar zu begrenzen. Überwachen Sie bitte den Druckmesser für das Brühgruppensystem während des ersten Aufheizvorgangs. Sie sollten sehen, dass der Druck bis 12 bar ansteigt und dann konstant bleibt. Sollte der Druckmesser 12 bar nicht erreichen oder mehr als 12 bar anzeigen, ist es nötig, das Expansionsventil einzustellen. Bitte führen Sie den nächsten Schritt aus, um das Expansionsventil einzustellen.

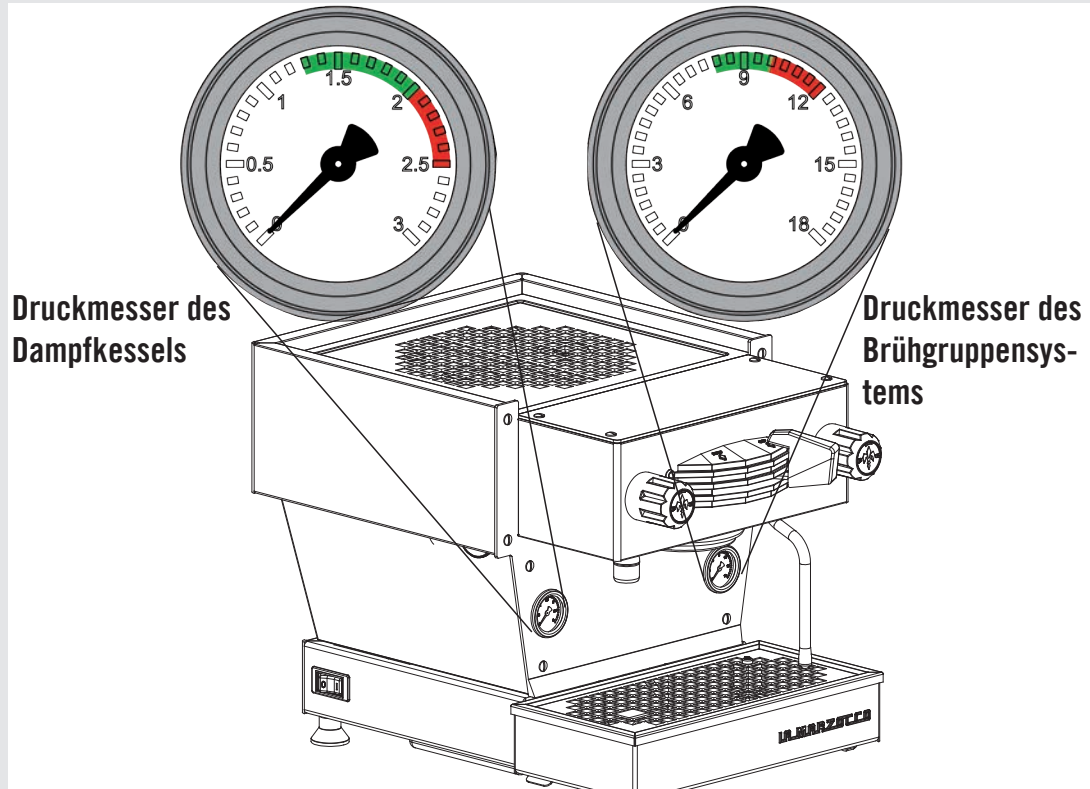


**7** Bitte folgen Sie diesen Anweisungen, um das Expansionsventil einzustellen. Entfernen Sie zuerst die Abtropfschale, um an das Expansionsventil zu gelangen. Das Expansionsventil ragt aus dem Metallgehäuse heraus, ist sechseckig, messingfarben und CH18 (Werkzeug). Drehen Sie das Expansionsventil zum Einstellen im Uhrzeigersinn, um den Druck zu erhöhen, bzw. gegen den Uhrzeigersinn, um den Druck zu verringern. Eventuell ist ein Schraubenschlüssel erforderlich, um das Expansionsventil drehen zu können. Drehen Sie das Expansionsventil in  $\frac{1}{4}$ -Umdrehungen oder weniger, bis der gewünschte Druck erreicht ist. Montieren Sie die Abtropfschale nach jeder Einstellung, um eine korrekte Funktionsweise des Gerätes zu gewährleisten.

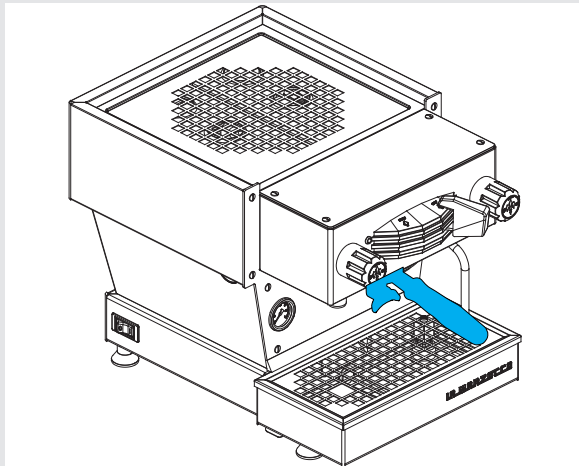
**▲ ACHTUNG ▲**  
**Aus dem Expansionsventil kann heißes Wasser mit bis zu 93°C austreten. Beim Umgang mit diesen Bauteilen ist ein angemessener Schutz erforderlich, bevor Einstellungen vorgenommen werden.**

8

Überwachen Sie auch den Heizvorgang des Dampfkessels auf dessen Druckschreiber. Der Dampfkesseldruck wird werkseitig auf etwa 2 bar eingestellt. Sobald der Druckschreiber 2 bar erreicht, endet der Heizvorgang.







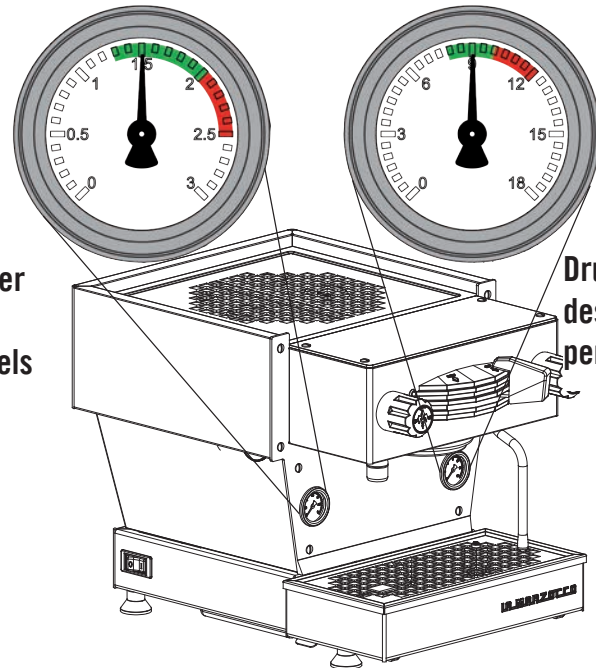
9

Füllen Sie, sobald die Espressomaschine betriebsbereit ist, (rote LED eingeschaltet) den Siebträger mit gemahlenem Kaffee und starten Sie den Brühvorgang. Weitergehende Informationen zum Betrieb dieser Espressomaschine finden Sie im Handbuch des Eigentümers.

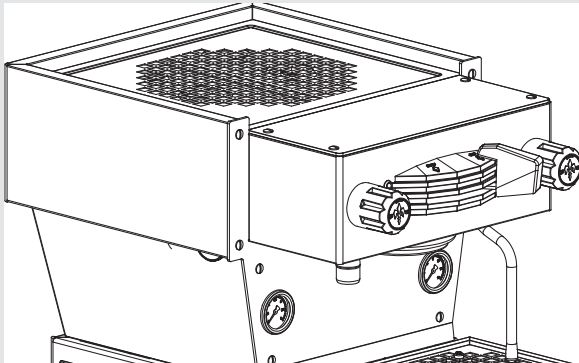
10

Während des Brühvorgangs sollte der Druck im Brühgruppensystem zwischen 8 und 10 bar betragen. Der Dampfkesseldruck sollte 2 bar betragen, ist aber zwischen 1,3 bar und 2 bar betriebsbereit.

Druckmesser  
des  
Dampfkessels



Druckmesser  
des Brühgrup-  
pensystems



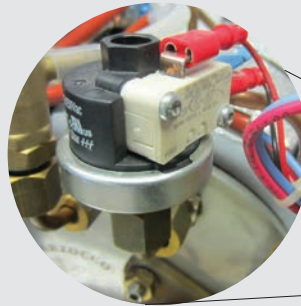
11

Dieser Parameter wird werkseitig auf eine Nenntemperatur voreingestellt.

Die Kesseltemperatur wird am kritischsten Punkt gemessen, wo die Temperaturschwankungen am größten sind.

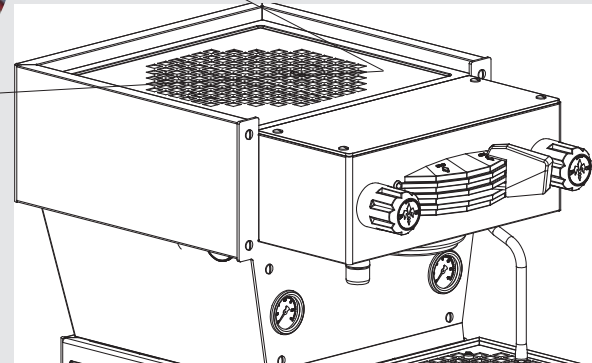
Die Temperatur des aus dem Brühgruppenkopf ausströmenden Wassers wird durch die Masse des Gehäuses konstant gehalten. Auch wenn die Wassertemperatur geringfügig schwankt, ist dadurch die Temperatur des an der Brühgruppe ausströmenden Wassers konstant.

Um die Temperatur einer Espressomaschine genau einstellen zu können, ist es nötig, die Temperatur des an der Brühgruppe ausströmenden Wassers mit einem externen Thermometer zu messen.

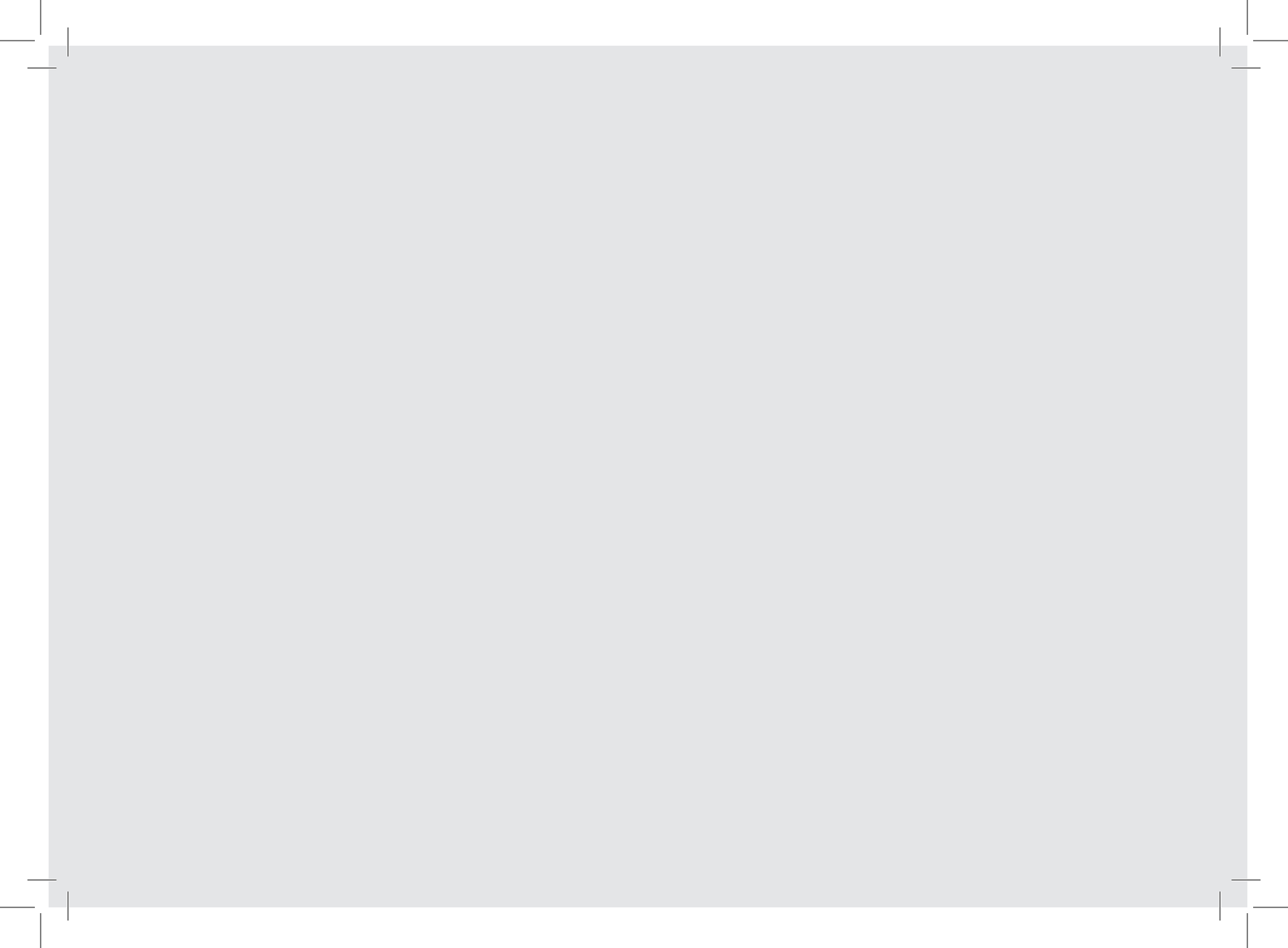


12

Es ist möglich, den Druck im Dampfkessel durch einen Druckschalter zu regeln.



DE



# manual

## linea mini

La línea mini de Marzocco es una máquina espresso de calidad profesional para el hogar hecha a mano, que refleja el diseño clásico e icónico en una versión en miniatura. La línea mini, con su grupo de acero inoxidable para café y una caldera de vapor y agua caliente, está diseñada para preparar un chorro de calidad con café recién molido, café en cápsulas o vainas, así como té u otras bebidas calientes.



**la marzocco**

handmade in florence



# linea mini

Manual de Operaciones V1.1 - 04/2015



**la marzocco**

handmade in florence

## Capítulos

- |  |         |
|--|---------|
| 1. Precauciones Importantes            | pág. 3  |
| 2. Información General                 | pág. 5  |
| 3. Descripción de la Máquina           | pág. 8  |
| 4. Instalación                         | pág. 9  |
| 5. Funcionamiento                      | pág. 13 |
| 6. Características Principales         | pág. 15 |
| 7. Mantenimiento Preventivo y Limpieza | pág. 16 |
| 8. Guía de Instalación                 | pág. 18 |

La Marzocco S.r.l.

Via La Torre 14/H  
Localidad La Torre  
50038 Scarperia e San Piero  
(Florence) - ITALY

[www.lamarzocco.com](http://www.lamarzocco.com)  
[info@lamarzocco.com](mailto:info@lamarzocco.com)

T: +39 055 849 191  
F: +39 055 849 1990

certificaciones disponibles:



**ADVERTENCIA**  
**CONSERVAR ESTAS INSTRUCCIONES**

### PRECAUCIONES IMPORTANTES

Cuando se usan aparatos eléctricos, deben seguirse unas medidas de seguridad básicas, incluidas las siguientes:

1. Leer todas las instrucciones.
2. No tocar superficies calientes. Utilizar las manijas o perillas.
3. Para proteger contra el fuego, descargas eléctricas y lesiones a personas, no sumergir el cable, enchufes o en agua u otro líquido.
4. Se requiere una estricta supervisión cuando cualquier aparato sea utilizado por niños o cerca de ellos.
5. Desconectar de la toma de corriente cuando no esté en uso y antes de limpiarlo. Dejar que se enfríe antes de poner o quitar piezas y antes de limpiar el aparato.
6. No utilizar ningún aparato con un cable o enchufe dañado o después de un funcionamiento defectuoso del aparato, o en caso de que se haya dañado de alguna manera. Devolver el aparato al centro de servicio autorizado más cercano para su revisión, reparación o ajuste.
7. El uso de accesorios no recomendados por el fabricante del aparato puede provocar incendios, descargas eléctricas o lesiones a las personas.
8. No utilizar el aparato al aire libre.
9. No dejar que el cable cuelgue sobre el borde de una mesa o mostrador, ni que toque superficies calientes.
10. No colocar sobre o cerca de una hornilla de gas o eléctrica, ni en un horno caliente.
11. Conectar siempre el enchufe

▲ **ADVERTENCIA** ▲  
**CONSERVAR ESTAS INSTRUCCIONES**

## PRECAUCIONES IMPORTANTES

al aparato en primer lugar y, luego, conectar el enchufe a la toma de la pared. Para desconectar el aparato, colocar el control en la posición "off" y, a continuación, quitar el enchufe de la toma de pared.

12. No utilizar el aparato para un uso diferente de aquel para el que fue diseñado.
13. Conservar estas instrucciones.
14. El uso, limpieza y mantenimiento de esta máquina de café pueden

llevarlos a cabo personas (incluidos niños de más de 8 años de edad) con capacidades físicas, sensoriales o mentales reducidas, o con falta de experiencia y conocimiento, siempre y cuando estén bajo la supervisión de una persona responsable de su seguridad y si entienden los peligros.

Los niños deben estar bajo supervisión para asegurar que no jueguen con el aparato.

Mantener el aparato y el

cable fuera del alcance de los niños menores de 8 años de edad.

15. El zona de servicio está restringida a personas con conocimiento y experiencia práctica con el aparato, en particular a lo que respecta a la seguridad y la higiene.



## 2. Información General



**El fabricante declina toda responsabilidad en caso de producirse un evento que resulte en acciones legales por responsabilidad cuando no se haya completado la conexión a tierra según las reglamentaciones locales, nacionales e internacionales, y los códigos de electricidad vigentes, o si otras partes eléctricas no se han conectado correctamente.**

**Esta máquina no debe ser usada por personas (incluidos niños) con capacidades físicas, sensoriales o mentales reducidas, o con falta de experiencia y conocimiento, excepto bajo supervisión o si han sido capacitadas en el uso de la misma por una persona responsable de su seguridad.**

**Voltaje peligroso desconectar de la fuente de alimentación antes de realizar alguna tarea.**

**La máquina se debe instalar de forma tal que el personal calificado pueda acceder a ella fácilmente para realizar tareas de manutención.**

**Para evitar rajaduras o fugas: no almacenar ni instalar la máquina de café en lugares donde la temperatura puede congelar el agua de la caldera o del sistema hidráulico.**

La máquina espresso está compuesta esencialmente por un grupo de preparación de agua caliente para café espresso y una caldera de vapor que suministra vapor y agua caliente para infusiones.

Este aparato está diseñado para su uso en aplicaciones domésticas y similares, tales como:

- áreas de cocina para el personal en tiendas, oficinas y otros entornos de trabajo;
- casas rurales
- por los clientes en hoteles, moteles y otros entornos de tipo residencial;
- Entornos de tipo Bed & breakfast

### Acerca de este manual

1) Esta guía operativa es una parte integral y esencial del producto y debe ser provista a los usuarios. Se solicita a los usuarios que lean detenidamente las advertencias y precauciones incluidas en la guía, puesto que brindan información valiosa sobre la seguridad durante la instalación, el funcionamiento y el mantenimiento de la máquina.

Este manual debe guardarse en un lugar seguro y debe estar disponible para consulta por parte de usuarios nuevos y también usuarios experimentados.

## Retirar la máquina del embalaje

1) Asegúrese de la integridad del producto inspeccionando el embalaje y asegurándose de que no presente daños que podrían haber afectado la máquina.

2) Verifique la integridad de la máquina después de haberla retirado del embalaje. El embalaje (cajas, bolsas plásticas, piezas de espuma, etc.) debe dejarse fuera del alcance de los niños porque presentan un daño potencial. No desechar en el ambiente.

## Instrucciones de seguridad

1) Verificar que los datos de la placa de características técnicas correspondan a las del suministro eléctrico al cual se conectará la máquina.

La instalación de este equipo debe guardar conformidad con todos los códigos aplicables federales, estatales o locales de instalación de tuberías.

2) La instalación se debe realizar según los códigos y las reglamentaciones locales sobre electricidad e instalación de tuberías. La instalación también debe guardar conformidad con las instrucciones del fabricante y debe ser realizada por personal cualificado y autorizado.

3) Una instalación incorrecta puede causar lesiones/daños a personas animales u objetos, de los cuales el fabricante no será responsable.

4) La garantía del funcionamiento eléctrico de este dispositivo se obtiene solamente cuando la conexión a la red eléctrica se ha realizado correctamente según todos los códigos y las reglamentaciones de seguridad locales, nacionales e internacionales, y en modo particular, realizando la instalación de la toma de tierra de la unidad. Asegúrese de que la instalación a tierra se haya realizado en forma correcta porque representa un requerimiento fundamental de seguridad. Asegúrese de que personal cualificado verifique esta conexión.

5) Además, deberá controlar que la resistencia de la instalación eléctrica sea apta para la potencia máxima absorbida indicada en la máquina de café espresso .

6) Se desaconseja la utilización de adaptadores, enchufes múltiples y/o alargadores. En caso de que no se pueda evitar su utilización, asegúrese de que cumplan con los códigos de electricidad y las reglamentaciones de seguridad

locales, nacionales e internacionales, teniendo cuidado de no superar los límites de resistencia y potencia que aparecen en dichos adaptadores o alargadores.

7) Esta máquina debe utilizarse únicamente para las funciones para las cuales ha sido diseñada y realizada. Cualquier otra utilización se considera impropia y peligrosa.

El fabricante no será responsable de eventuales daños causados por usos incorrectos y/o irracionales.

8) El uso de cualquier dispositivo eléctrico comporta la consideración de algunas reglas fundamentales. En particular:

- no tocar el aparato con las manos y los pies mojados o húmedos
- no usar el aparato con los pies descalzos
- no utilizar alargadores en habitaciones destinadas a baño o ducha
- no tirar del cable de alimentación para desenchufar el aparato de la red eléctrica
- no dejar exponer el aparato a agentes atmosféricos
- no permitir que niños o personas no capacitadas usen este dispositivo

**9)** Antes de llevar a cabo cualquier tarea de mantenimiento y/o limpieza (que no sea la auto limpieza del grupo), ponga en posición “0” el interruptor general ubicado en la máquina y desconecte el aparato de la red de alimentación eléctrica desenchufando el cable o desconectando el disyuntor. Para realizar las operaciones de limpieza, límitese a las instrucciones indicadas en este manual.

**10)** En caso de funcionamiento defectuoso de la máquina o si deja de funcionar, desconéctela de la red eléctrica (como se describe en el párrafo anterior). No intente repararla. Diríjase al personal cualificado profesionalmente y autorizado para realizar cualquier reparación. Sólo

el fabricante o un centro autorizado que utilice exclusivamente piezas de repuesto originales reparará el producto. El incumplimiento de las normas indicadas más arriba podría comprometer la seguridad del funcionamiento de la máquina.

**11)** Para evitar problemas de recalentamientos peligrosos, se recomienda desenrollar todo el cable de alimentación.

**12)** No obstruya las rejillas de aspiración o de disipación y, en particular, no cubra con trapos o cualquier otra cosa la bandeja para calentar las tazas.

**13)** El cable de alimentación de la máquina no debe ser sustituido por el usuario. Si el cable de alimentación se daña, apague la máquina y desconéctela de la red eléctrica desenchufando el cable de alimentación o desconectando el disyuntor, y cierre el suministro de agua. Para sustituir el cable de alimentación, comuníquese exclusivamente con profesionales cualificados.

**14)** Estas instrucciones también están disponibles en un formato alternativo en una página web.

### 3. Descripción de la Máquina

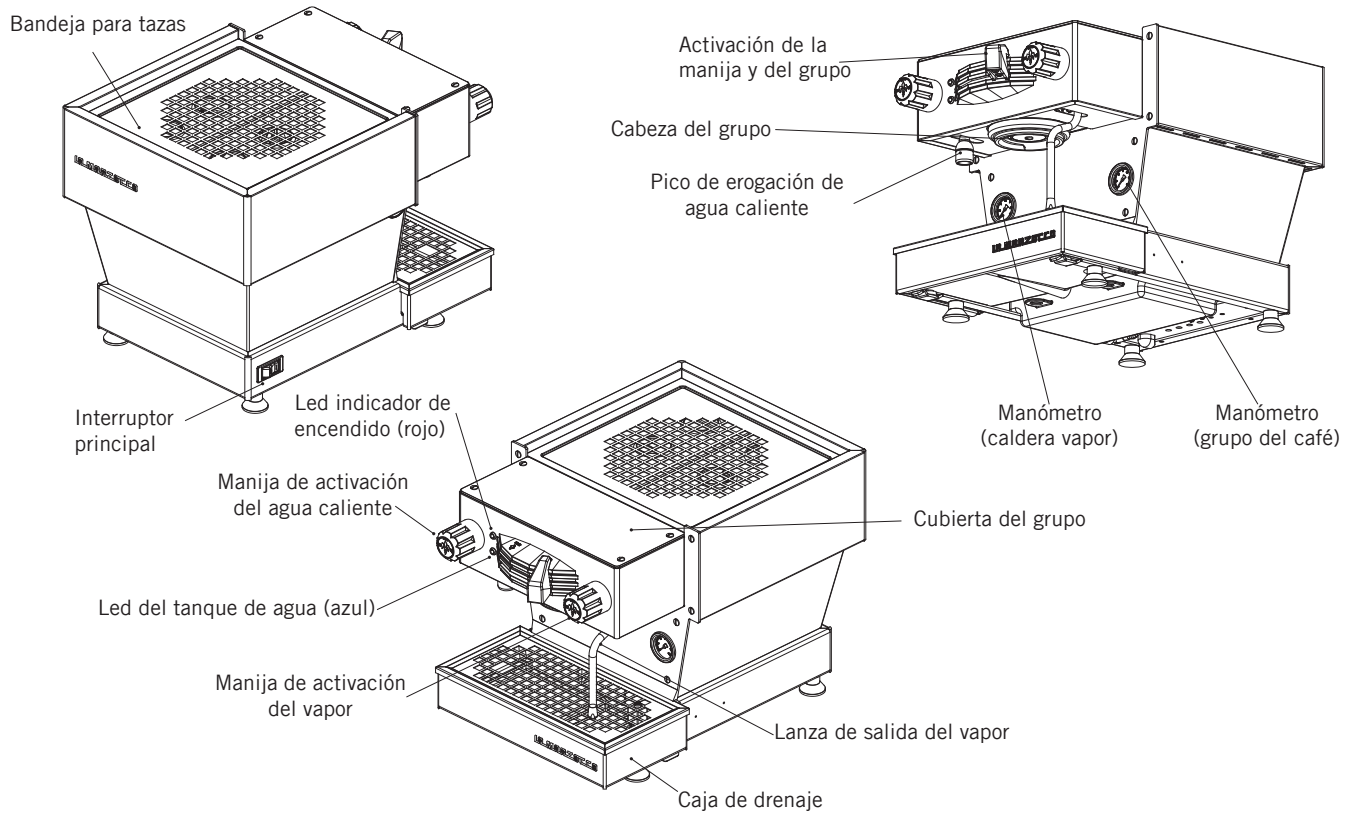


Figura 1 - Descripción de la Máquina

## 4. Instalación

▲ ▲  
**La máquina de café se debe colocar en posición horizontal sobre una barra que esté a más de 90 cm del piso.**

▲ ▲  
**La válvula de expansión puede descargar agua caliente con una temperatura de hasta 93 °C. Es necesario usar una protección adecuada para manejar este componente antes de ajustarlo.**

▲ ▲  
**Esta máquina no es apta para uso en exteriores.**

### Nota:

- Temperatura ambiente mínima: **5°C**
- Temperatura ambiente máxima: **32°C**
- El nivel de presión acústica ponderado de la máquina es inferior a 70dBA.

### Instalación de la máquina espresso, línea mini

#### 1) Llene recipiente para el agua con agua potable.

Una vez que la máquina espresso ha sido extraída del embalaje, colocada sobre una superficie dura. Extraiga la bandeja de drenaje y deslice dicho recipiente hasta que la tapa para llenado sea accesible. Extraiga la tapa y llene el recipiente con agua potable. Vuelva a colocar la tapa y deslice el recipiente para el agua hasta que quede en la posición de funcionamiento. Vuelva a colocar la bandeja de drenaje en su lugar. Para conectar la máquina a la red hidráulica, siga las indicaciones de la Guía de Instalación, y actúe de conformidad con las normas de seguridad locales/nacionales del lugar adonde se instalará la máquina. Para garantizar el funcionamiento correcto y seguro de la máquina, mantener un nivel de rendimiento adecuado y obtener infusiones de alta calidad, es importante que el agua de entrada tenga una dureza mayor que 9°f (90ppm, 5°d) y menor que 15°f (150ppm, 8,4°d), el pH debe ser de 6,5 a 8,5 y la cantidad de cloruros debe ser inferior a 50mg/l. Si se respetan estos valores, la máquina puede funcionar con la eficiencia máxima. Si estos parámetros

no están presentes, se deberá instalar un dispositivo específico de filtrado, siempre de conformidad con las normas nacionales y locales vigentes respecto del agua potable.

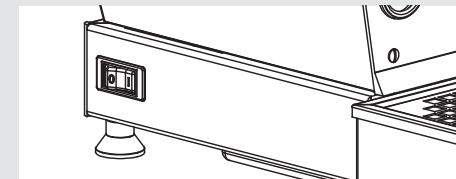
#### 2) Conexión de la máquina espresso al suministro eléctrico.

Conecte la máquina espresso a una red de suministro eléctrico cuyas características coincidan con las indicadas en la placa de serie de la máquina.

#### 3) Llenado de las calderas con agua.

Complete los siguientes pasos para llenar correctamente los tanques de las calderas:

**Caldera de vapor:** Gire el interruptor principal a la posición "1". Se encenderá el sistema automático de nivel de la caldera de vapor, y activará la válvula solenoide de auto llenado y la bomba de agua. Ésta llenará la caldera de vapor hasta un nivel predeterminado y se detendrá cuando esté llena.



**NOTA:** puede ser necesario volver a llenar el recipiente para el agua durante este proceso.

**Grupo del café:** El agua fluye directamente dentro del grupo del café cuando se activa la bomba de agua. Cuando se enciende la línea mini, el sistema electrónico activa la bomba de agua para llenar las dos calderas.

#### 4) Verificación del Llenado de las calderas.

La instalación ahora está completa y la máquina espresso debería estar calentando a las temperaturas de operación.

#### Preparación del café después de la primera instalación

Una vez finalizados los procedimientos de la primera instalación, antes de preparar café, usar el agua caliente y el vapor, siga estos pasos:

- Enganche el porta-filtro insertándolo en la cabeza del grupo y gire la manija de izquierda a derecha. Una vez que el portafiltro está insertado correctamente, usted puede mover la manija del lado izquierdo para que el agua comience a fluir a través del portafiltro. Deje pasar el agua a través del grupo durante dos minutos como mínimo.

- Tenga cuidado para evitar quemaduras. Abra cada lanza de salida del vapor 10

durante un minuto como mínimo.

- Abra la válvula de agua caliente durante el tiempo necesario para permitir que salga como mínimo 1 litro de agua para la preparación del café.

#### 5) Esperar que la máquina espresso Llegue a la temperatura operativa.

Durante este tiempo, el puntero del manómetro del grupo del café puede llegar hasta 12 bar. Esto puede suceder cada vez que el elemento de calentamiento están en "on". Si la presión excede 12 bar, entonces será necesario ajustar la válvula de expansión de forma tal que la presión nunca supere 12 bar.

En condiciones normales de funcionamiento, el manómetro del grupo del café puede marcar entre 0 y 12 bar. Al preparar el café, la presión debe ser aproximadamente 9 bar.

La máquina está lista para la preparación de agua cuando el led indicador de encendido (rojo) está en ON.

Cuando la máquina se está calentando, el led indicador de encendido (rojo) parpadea.

**NOTA:** cuando la caldera de vapor alcanza la temperatura operativa, se puede escuchar el ruido del aire y el vapor que salen de la

caldera. Esto es normal. Cuando el agua hierve, el aire de la caldera es reemplazado por vapor y sale a través del interruptor de vacío. A medida que la caldera se acerca a la temperatura operativa, el interruptor de vacío se cierra y el vapor ya no puede salir. Este proceso permite la entrada de aire en la caldera para que el vapor salga y sea sustituido por vapor de agua.

#### 6) Placa de la máquina:

Placa CE de la máquina



Placa ETL de la máquina



### 7) Ajuste de la válvula de expansión.

La válvula de expansión es un componente que limita la presión máxima en el grupo del café. Al calentar el grupo del café, el agua que contiene se expande. Debido a que el grupo del café está completamente saturado, el agua expandida provoca un aumento de presión dentro de la caldera. Sin un dispositivo de seguridad, el aumento de presión podría causar una ruptura en la caldera. La presión del grupo del café no debe exceder jamás 12 bar. La válvula está caliente, por lo tanto, usando una protección adecuada, gire la válvula de expansión hacia la derecha para aumentar la presión. Para disminuir la presión, gire la válvula de expansión hacia la izquierda (vea el siguiente diagrama).

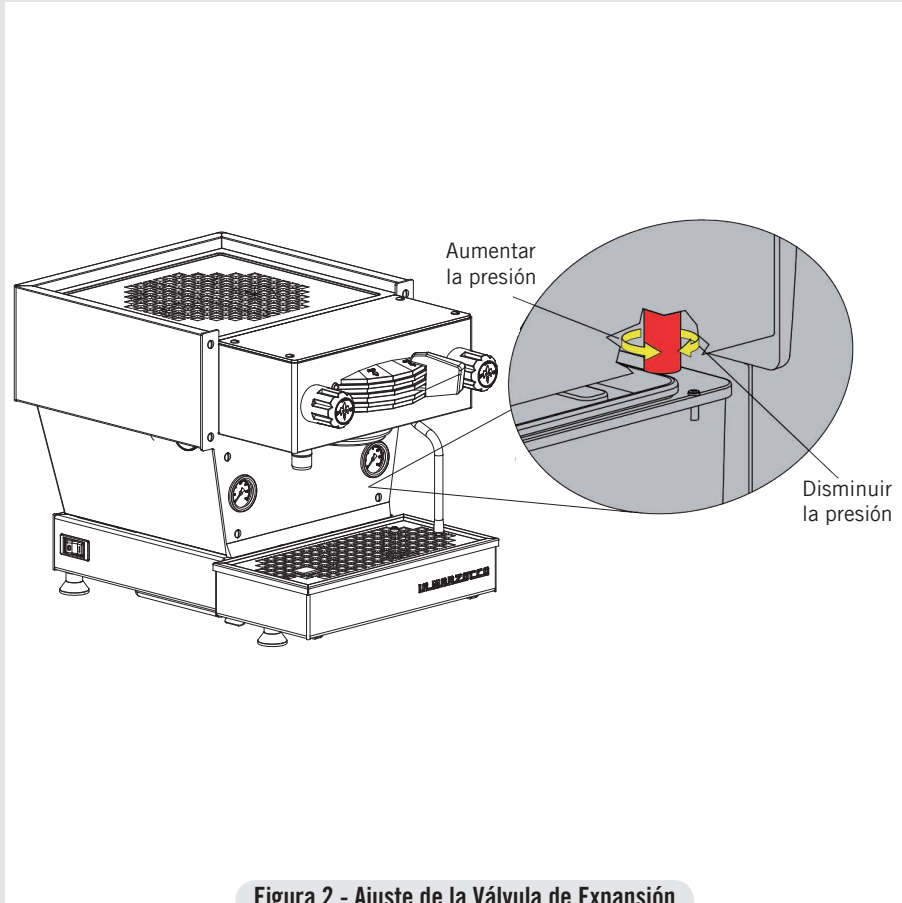


Figura 2 - Ajuste de la Válvula de Expansión

### 8) Ajuste de la presión de la bomba de agua.

La bomba de agua está configurada en fábrica a 9 bar de presión. Si es necesario cambiar la presión, utilice el siguiente procedimiento:

1. Retirar la bandeja superior y la bandeja inferior.
2. Ubique el tornillo de ajuste de la

bomba de agua y afloje la contratuerca.

3. Ajuste la presión de la bomba de agua al nivel deseado.
4. Gire hacia la derecha para aumentar la presión y hacia la izquierda para reducirla.

**NOTA:** La presión de la bomba de agua debe ajustarse cuando la máquina está en funcionamiento y hay café en el porta-filtro.

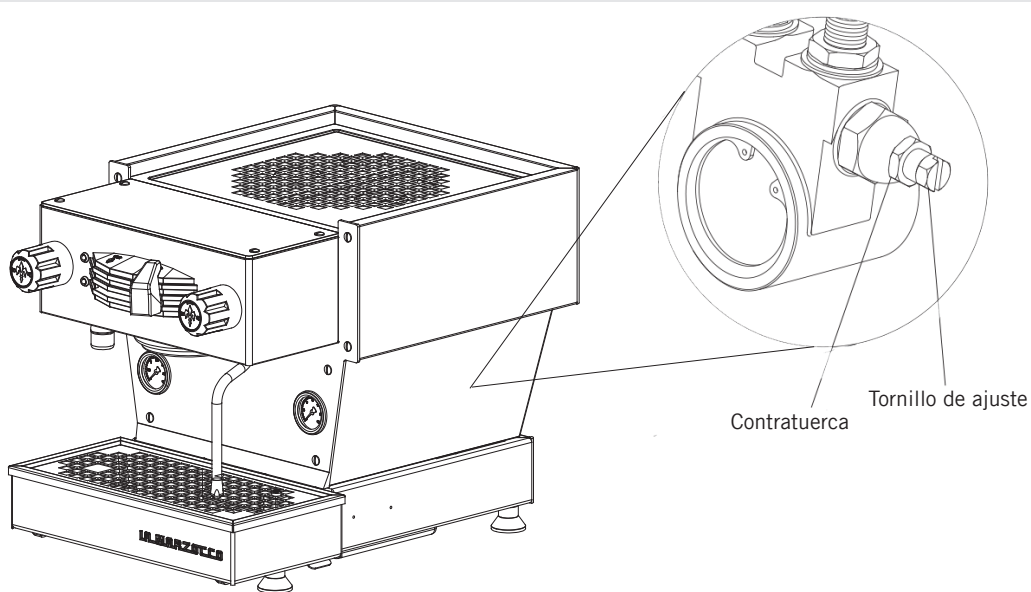


Figura 3 - Ajuste de la Presión de la Bomba de Agua



## 5. Funcionamiento

**El grupo del café y la caldera de vapor contienen agua a alta temperatura. La temperatura del agua superior a 52°C puede causar quemaduras graves o la muerte por escaldaduras. (Grupo del café 93,3°C- Caldera de vapor 127°C)**

**No sumergir la máquina en agua y evitar salpicaduras de agua durante la limpieza. Para las operaciones de limpieza, seguir cuidadosamente las instrucciones que se listan a continuación.**

**Esta máquina está diseñada únicamente para preparar café y bebidas calientes.**

### 1. Instalación del porta-filtro.

Instale el porta-filtro insertándolo en la cabeza del grupo y gire la manija de izquierda a derecha. Una vez que el portafiltro está insertado correctamente, usted puede mover la manija de derecha a izquierda para que el agua comience a fluir a través del portafiltro. Es importante que el porta-filtro esté a la temperatura operativa antes de llenarlo con café.

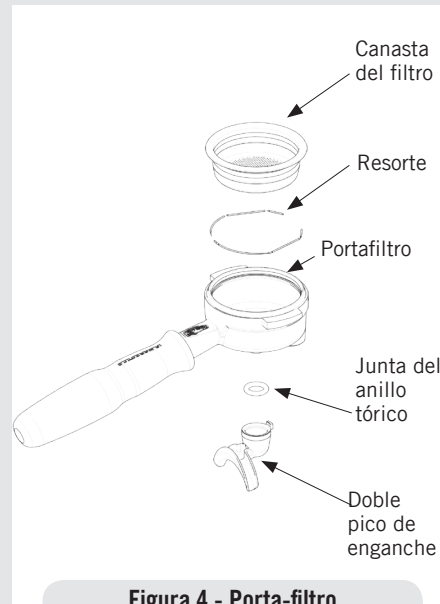


Figura 4 - Porta-filtro

Haga pasar el agua caliente a través del porta-filtro vacío durante unos segundos antes del proceso de preparación del café para pre-calentarlo.

**NOTA:** Es importante dejar el porta-filtro instalado en la máquina espresso cuando no está en uso. El porta-filtro debe permanecer caliente para que la preparación del café funcione correctamente.

**2. Preparación del café.** Ahora es posible retirar el porta-filtro para preparar un café. Coloque una cantidad de café molido en la canasta del porta-filtro usando la canasta única o la doble. Presione sobre el café molido con el pisón provisto y enganche el porta-filtro en la línea mini. Mueva la manija de derecha a izquierda para comenzar la preparación (ver Fig.1 página 8).

**NOTA:** Algunos usuarios piensan que es importante dejar que el agua pase a través de la cabeza del grupo antes de instalar el porta-filtro para limpiar restos de aceites de café y partículas de la cabeza del grupo. Otros también dejan pasar el agua después de hacer el café por el mismo motivo. Pruebe para decidir cuál es el

mejor procedimiento para usted. Existen muchas técnicas para preparar café espresso. Puede encontrar instrucciones para las diversas técnicas en los sitios web, blogs y foros. Algunos están incluso supervisados por baristas profesionales de todo el mundo.

### 3. Erogación del vapor.

Para permitir que el agua condensada en la lanza sea liberada, descargue SIEMPRE un poco de vapor encendiendo la válvula antes de insertar la lanza de salida del vapor en la jarra del líquido que se ha de calentar.

Sumerja la lanza de salida del vapor en el líquido que se va a calentar. Gire la llave para erogación del vapor para activar el proceso de salida del vapor.

La válvula de vapor posee un control de flujo variable. La válvula de vapor bloquea sólo cuando está completamente abierta. El vapor transferirá el calor al líquido y elevará la temperatura. Tenga cuidado de que el líquido no desborde para evitar quemaduras graves.

Echar vapor a la leche para preparar capuchinos y otras bebidas es muy fácil, pero para hacerlo bien se requiere cierta

habilidad. Experimente con las diversas técnicas para encontrar el mejor método para su caso. Puede encontrar muchos artículos sobre el tratamiento de la leche con vapor en Internet.

**NOTA:** Es importante tener un volumen suficiente de líquido en la jarra a la que se le echará vapor. Por lo tanto, si desea echar vapor a pequeñas cantidades de leche, deberá usar una jarra pequeña. Si desea echar vapor a cantidades mayores de leche, deberá usar una jarra más grande. Si se usa poca leche en una jarra, la leche puede "salir expulsada" de la jarra. Una buena regla es llenar la jarra con el líquido sólo hasta la mitad.

**NOTA:** Para evitar que el líquido caliente sea aspirado dentro de la caldera de vapor, se recomienda purgar el sistema de vapor después de calentar cualquier líquido. Purgar el sistema abriendo la válvula de vapor durante unos segundos para permitir que el vapor salga a la atmósfera desde el extremo de la lanza de salida del vapor.

### 4. Erogación de agua caliente.

Usted puede erogar agua caliente utilizando la boquilla pertinente. Para erogar agua caliente, girar la perilla izquierda (ver Fig.1 página 8).

Esta perilla controla la salida de agua caliente.



Figura 5 - Manija de Agua Caliente

**Si no se cumplen las instrucciones mencionadas anteriormente, el fabricante no será responsable de eventuales lesiones a personas o daños a cosas.**

### 1. Erogación de agua caliente.

El agua caliente puede ser erogada desde la lanza de agua caliente ubicada en el lado izquierdo de la máquina. Esto se realiza girando la perilla izquierda (ver Fig.1 página 8).

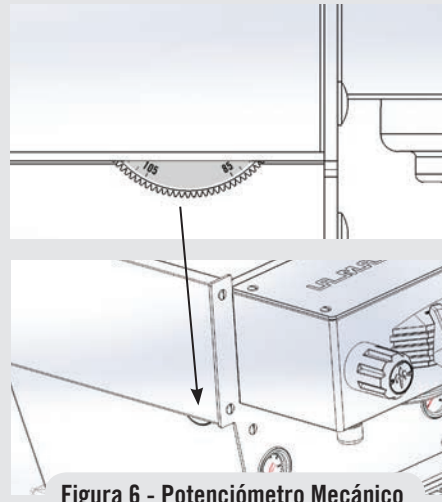
### 2. Notas generales para la preparación del café.

Los porta-filtros deben permanecer calientes porque están en la posición más baja del grupo y están parcialmente aislados de éste por la junta de goma que los separa. Esto se puede lograr dejando los porta-filtros instalados en la máquina cuando no está en uso. Los porta-filtros también se pueden calentar activamente pulsando uno de los botones para preparar café para que pase agua caliente a través del porta-filtro y luego cerrando el flujo de agua.

### 3. Molido del café.

El tamaño de los gránulos es extremadamente importante para preparar una buena taza de

café, además del tipo de mezcla de café usada. El molido ideal se puede determinar haciendo varios cafés utilizando la cantidad de café molido que usaría normalmente para cada taza (recomendamos como mínimo 6g). El mejor molido es el que permite que el café fluya de los picos del porta-filtro en forma demasiado lenta, gota a gota, ni demasiado rápida. Una regla general es que una doble dosis debe erogar alrededor de 60mL de fluido de espresso en aproximadamente 25 segundos. Este tiempo se puede ajustar variando el grosor del molido.



**Figura 6 - Potenciómetro Mecánico**

## 6. Características Principales

### NOTA

Para usar la máquina en todo su potencial cuando no ha sido utilizada durante más de 8 horas o, de todos modos, después de no usarse durante períodos prolongados, es necesario realizar algunos ciclos de limpieza antes de preparar infusiones, como se indica a continuación:

- Grupos: con el porta-filtro enganchado en los grupos, haga pasar agua caliente a través de cada uno durante dos minutos como mínimo
- Tenga cuidado para evitar quemaduras. Abra cada lanza de salida del vapor durante un minuto como mínimo.
- Abra la válvula de agua caliente durante el tiempo necesario para permitir que salga 1 litro de agua para la preparación del café.
- Si utiliza la máquina con un recipiente para el agua, cambie el agua del recipiente diariamente.

Si la máquina no se va a utilizar durante períodos prolongados, se aconseja seguir las siguientes indicaciones de seguridad:

- Desconecte la máquina de la red de suministro de agua o interrumpa la conexión del agua con el grifo de cierre de la red.
- Desconecte la máquina de la red de suministro eléctrico.

## 7. Mantenimiento Preventivo y Limpieza

⚠ No usar chorros de agua para limpiar la máquina ni colocarla donde se usan chorros de agua.

⚠ No extraiga el porta-filtros mientras el grupo relativo está preparando bebidas calientes. El grupo del café contiene agua a temperatura elevada. Las temperaturas del agua superiores a 52°C pueden causar quemaduras graves instantáneamente o la muerte por escaldaduras.

⚠ No sumergir la máquina en agua y evitar salpicaduras de agua durante la limpieza. Para las operaciones de limpieza, seguir cuidadosamente las instrucciones que se listan a continuación.

⚠ La válvula de expansión puede descargar agua caliente con una temperatura de hasta 93 °C. Es necesario usar una protección adecuada para manejar este componente antes de ajustarlo.

⚠ Esta máquina está diseñada únicamente para preparar café y bebidas calientes.

### Limpieza (diaria)

#### 1. Limpieza de la pantalla difusora.

Durante la descarga (que sigue a la preparación del café), pequeños restos de café pueden acumularse lentamente y obstruir, incluso parcialmente, la pantalla difusora. Apague la máquina y extraiga la pantalla difusora destornillando el tornillo del difusor. Sumerja en líquido con detergente en polvo siguiendo las instrucciones del fabricante del detergente. Enjuague a fondo con agua limpia. Instale y haga correr agua caliente a través de la cabeza del grupo varias veces con la pantalla instalada.

#### 2. Limpieza del sistema de preparación del café.

Inserte el filtro ciego en el porta-filtro,

coloque la cantidad correcta de producto de limpieza de máquinas de café espresso (siguiendo las instrucciones del producto) en el filtro y enganche el porta-filtro en el grupo que desea limpiar.

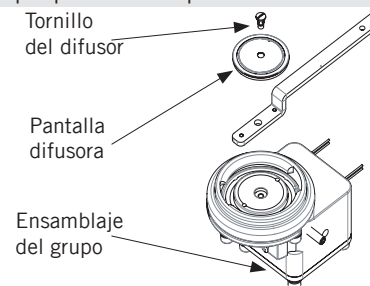


Figura 7 - Grupo del Café

- Presione el botón de hacer café que corresponde a dicho grupo, como si estuviese haciendo una taza común de café. Detenga la salida de agua durante 15-20 segundos.
- Arranque y detenga el grupo varias veces hasta que vea que el agua que sale es limpia y no jabonosa cuando extrae el porta-filtro. No extraiga el porta-filtro cuando el grupo está procesando el agua.
- Enjuague el grupo usando un filtro normal en el porta-filtro haciendo correr agua caliente a través de él varias veces.

### 3. Limpieza del cuerpo de la máquina.

Repase las superficies de acero inoxidable con un paño suave, no abrasivo, en la dirección de las marcas acristaladas, si las hubiese. No use alcohol ni solventes sobre las partes pintadas, impresas o de plástico para evitar dañarlas. Limpie los paneles laterales con un paño suave. No vaporice el panel de mandos ni el visor con ningún líquido. Limpie sólo con un paño suave y limpio.

### 4. Limpieza de las boquillas de agua caliente y vapor.

Las boquillas de vapor deben limpiarse inmediatamente después del uso con un paño húmedo y produciendo una salida de vapor breve para evitar la formación de depósitos dentro de ellas, los cuales pueden alterar el sabor de las demás infusiones a calentar. Las boquillas de agua caliente deben limpiarse periódicamente con un paño húmedo. Si hay residuos de leche en la lanza de salida del vapor, sumerja la punta en un recipiente con agua caliente, luego repase la punta limpia. Si quedan residuos, repita el proceso.

**NOTA:** Este plan de limpieza está basado en un uso moderado de un promedio de 20 a 300 tazas diarias. Si el uso de la máquina es menor que moderado, este plan se debe ajustar consecuentemente.

### Limpieza (periódica)

**1. Drenaje de las Calderas.** Tanto el grupo del café como la de vapor deben drenarse y volver a llenarse para reducir la posibilidad de acumulación de depósitos minerales en las paredes interiores de las superficies interiores. Además, este proceso de drenaje se puede emplear para eliminar el agua que tiene mal olor y sabor.

**Drenaje de la Caldera de Vapor:** Apague la máquina. Extraiga el panel trasero. Localice la válvula de bola en el lado inferior derecho de la máquina. Sostenga la válvula de bola con una herramienta y extraiga la tapa de bronce del extremo de la válvula. Acerque la máquina espresso a un drenaje de agua de desecho e incline la máquina sobre un ángulo para apuntar la válvula dentro del drenaje.

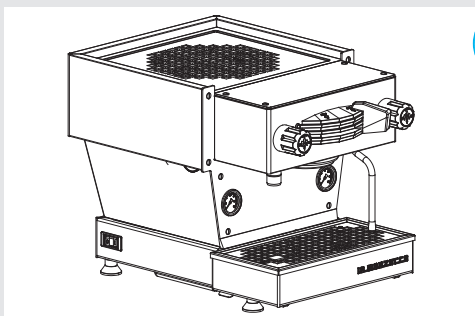
**Drenaje del Grupo del Café:** Apague la máquina. Usando una protección adecuada o una herramienta apropiada, afloje la válvula de expansión hasta que el agua comience a fluir libremente. Luego, abra la válvula de bola en el lado izquierdo.

**2. Limpieza del recipiente para el agua.** El recipiente para el agua debe limpiarse periódicamente para asegurar que no se formen algas dentro de las superficies. Para limpiarlo, primero extraiga el recipiente para el agua de la máquina. Desconecte el tubo plástico transparente de entrada de agua. Destornille todos los tornillos de la cubierta para separar las partes. Lave todas las partes con agua jabonosa. Todas las partes se pueden lavar en el lavavajillas.

## 8. Guía de Instalación

---

- |   |         |   |         |
|---|---------|---|---------|
| 1. Desembalaje de la Máquina Espresso línea mini  | pág. 19 | 7. Ajuste de la válvula de expansión                                | pág. 23 |
| 2. Llenado con agua (llenado inicial)             | pág. 19 | 8. Control de la presión de la caldera de vapor                     | pág. 24 |
| 3. Alineación de la caja de drenaje               | pág. 20 | 9 . Preparación del café espresso                                   | pág. 25 |
| 4. Conexión a la red de suministro eléctrico      | pág. 20 | 10. Verificación de las presiones de funcionamiento de las calderas | pág. 25 |
| 5. Encendido del interruptor principal de energía | pág. 21 | 11. Temperatura de la Caldera del Café                              | pág. 26 |
| 6. Control de la presión del grupo del café       | pág. 22 | 12. Temperatura de la Caldera del Vapor                             | pág. 26 |



1

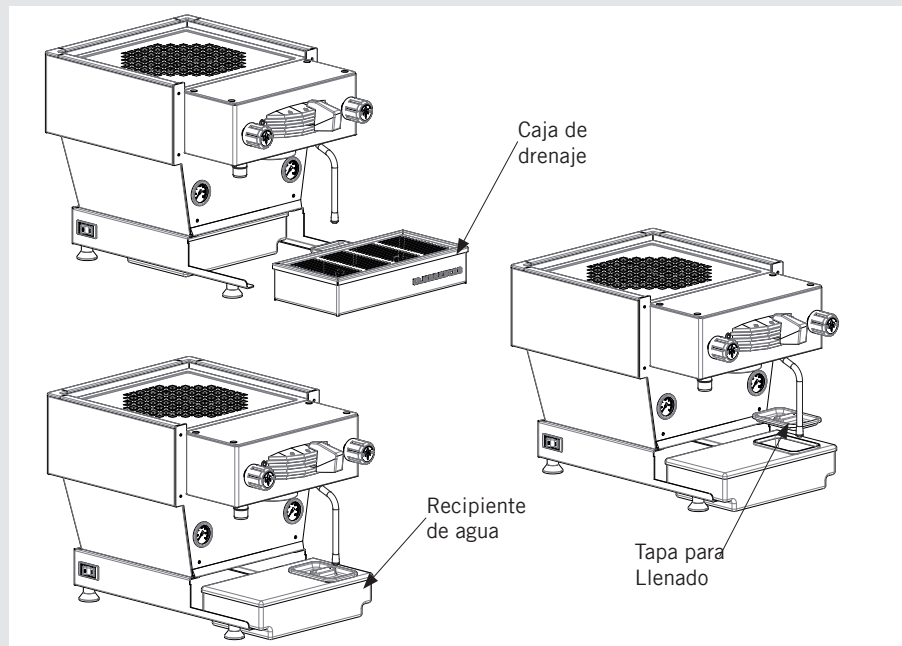
Desembale la máquina espresso y colóquela en una superficie nivelada. Asegúrese de que todos los accesorios se hayan incluido en el envío. Verifique si existe algún daño visible en la máquina espresso.

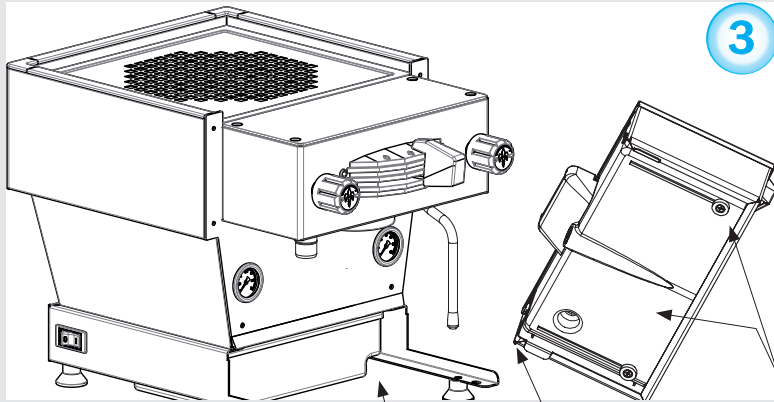
▲ ▲  
**La máquina de café se debe colocar en posición horizontal sobre una barra que esté a más de 90 cm del piso.**

2

Extraiga/abra la tapa y llene el recipiente con agua filtrada. Deslice el recipiente para colocarlo en su posición y vuelva a colocar la caja de drenaje. Asegúrese de que la caja de drenaje quede totalmente insertada. El recipiente para el agua debe hacer contacto con los indicadores de nivel ubicados en el lado posterior.

**NOTA:** la línea mini está configurada para funcionar con el recipiente para el agua.





3

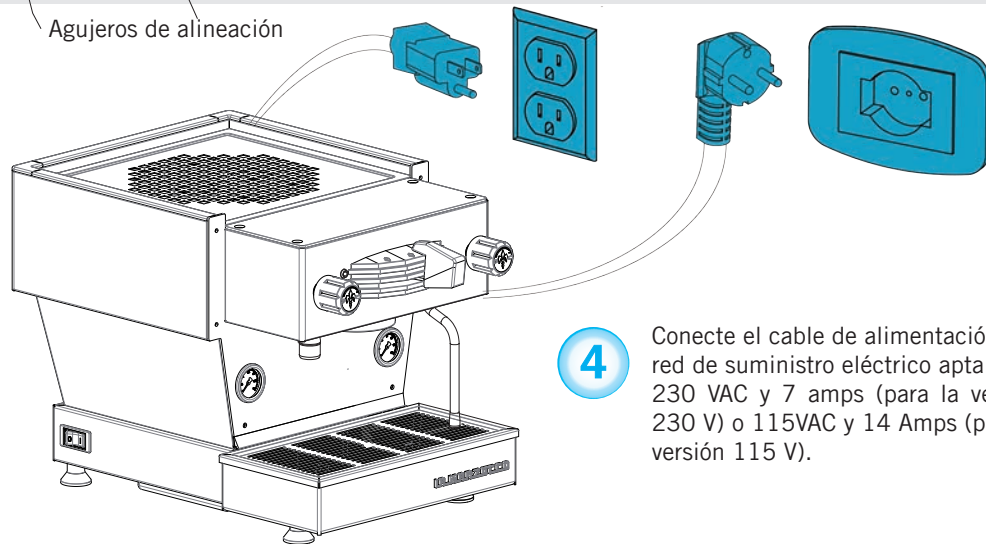
**NOTA IMPORTANTE:**

La caja de drenaje debe estar correctamente instalada para que la máquina funcione adecuadamente. La caja de drenaje tiene dos imanes que se acoplan con dos ranuras de alineación en la base de la línea mini. Al instalar la caja de drenaje, asegúrese de que los imanes de alineación se inserten en las ranuras de alineación. Puede ser necesario empujar levemente la parte frontal de la caja de drenaje al fin de lograr una alineación correcta.

Cuando la máquina está en ON y el tanque de agua está lleno, el led del recipiente para el agua (azul) está en ON; si el tanque de agua está vacío, el led del recipiente para el agua (azul) parpadea.

Ranuras e imanes de alineación

Agujeros de alineación

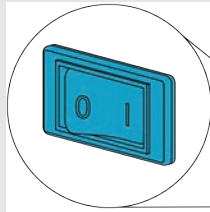


4

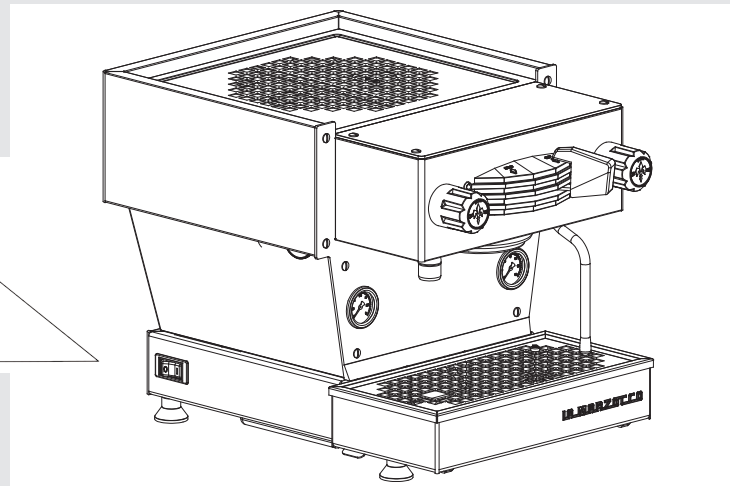
Conecte el cable de alimentación a la red de suministro eléctrico apta para: 230 VAC y 7 amps (para la versión 230 V) o 115VAC y 14 Amps (para la versión 115 V).

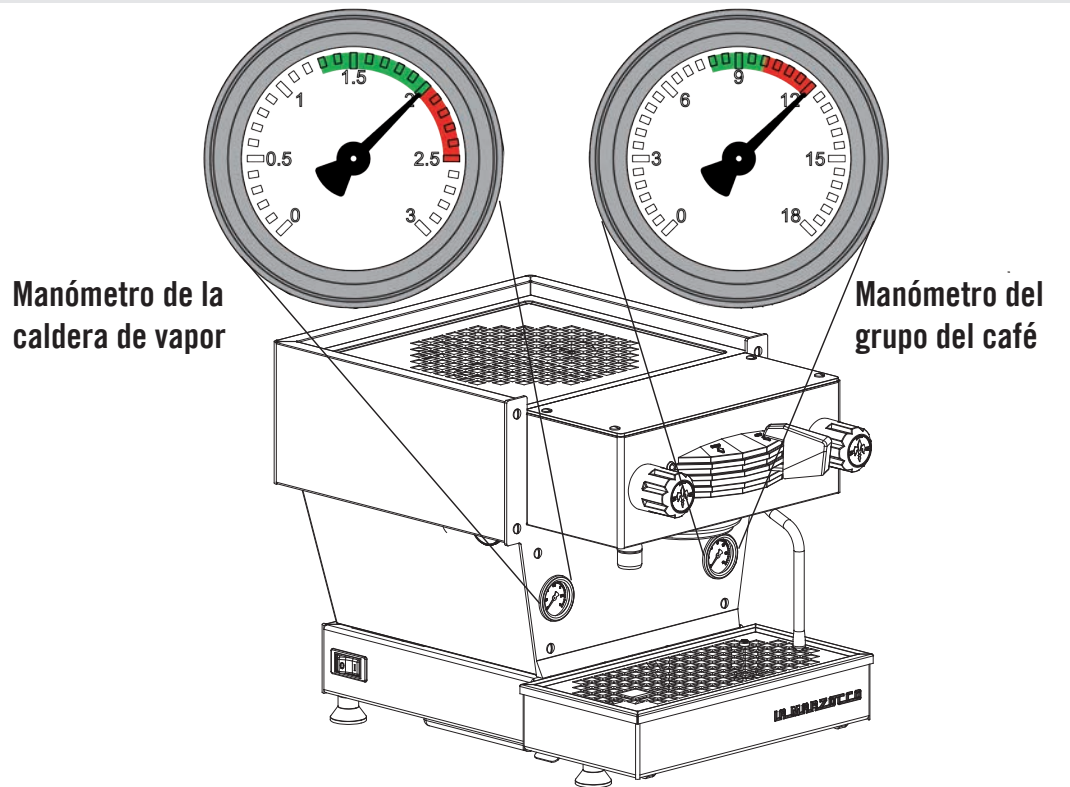


El fabricante declina toda responsabilidad en caso de producirse un evento que resulte en acciones legales por responsabilidad cuando no se haya completado la conexión a tierra según las reglamentaciones locales, nacionales e internacionales, y los códigos de electricidad vigentes, o si otras partes eléctricas no se han conectado correctamente.

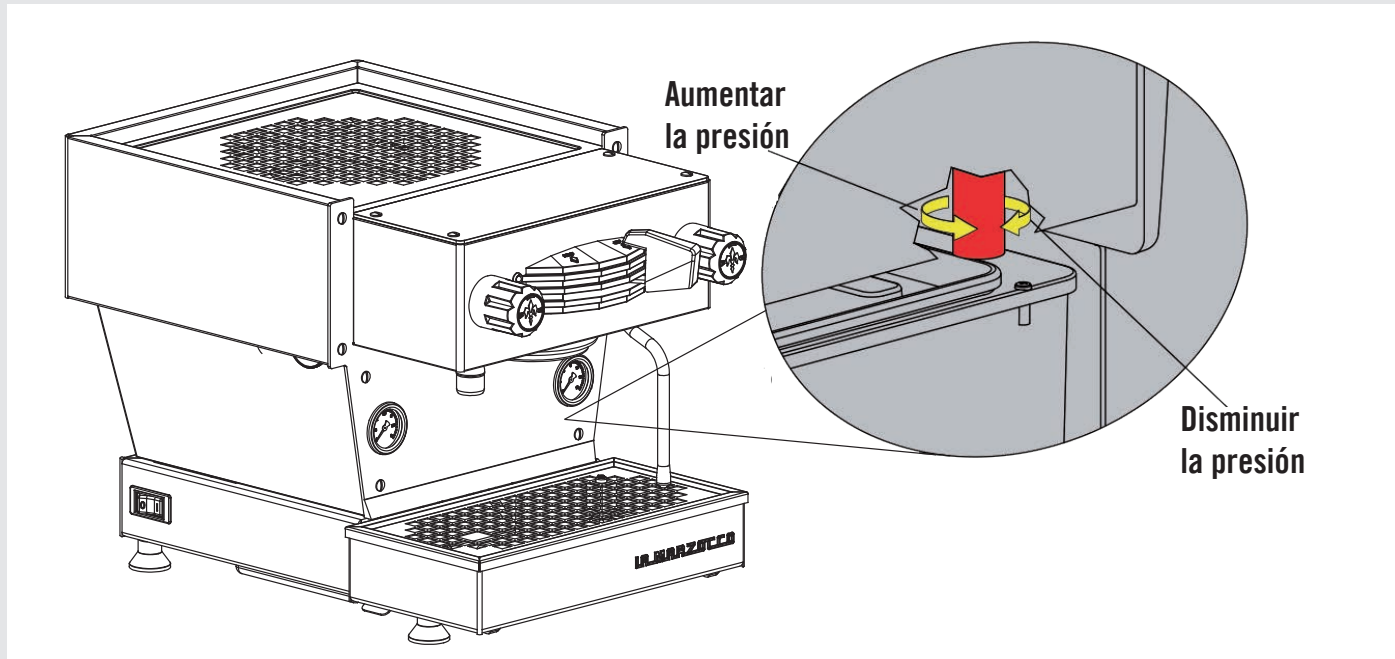


- 5** Encienda la máquina pulsando el interruptor principal. El interruptor principal está ubicado en la parte trasera izquierda de la máquina.



**6**

Luego será necesario verificar la válvula de expansión. A medida que el grupo del café se calienta a la temperatura operativa, la presión del grupo aumenta. Hay una válvula de expansión detrás de la bandeja de drenaje que permite que salga un poco de agua durante este proceso para limitar la presión máxima del grupo del café a 12 bar. Controle el manómetro del grupo de café durante el proceso de calentamiento inicial. Deberá ver que el manómetro llega a 12 bar y se detiene. Si el manómetro no llega a 12 bar o si excede esta medida, será necesario ajustar la válvula de expansión. Realice el siguiente paso para ajustar la válvula de expansión correctamente.

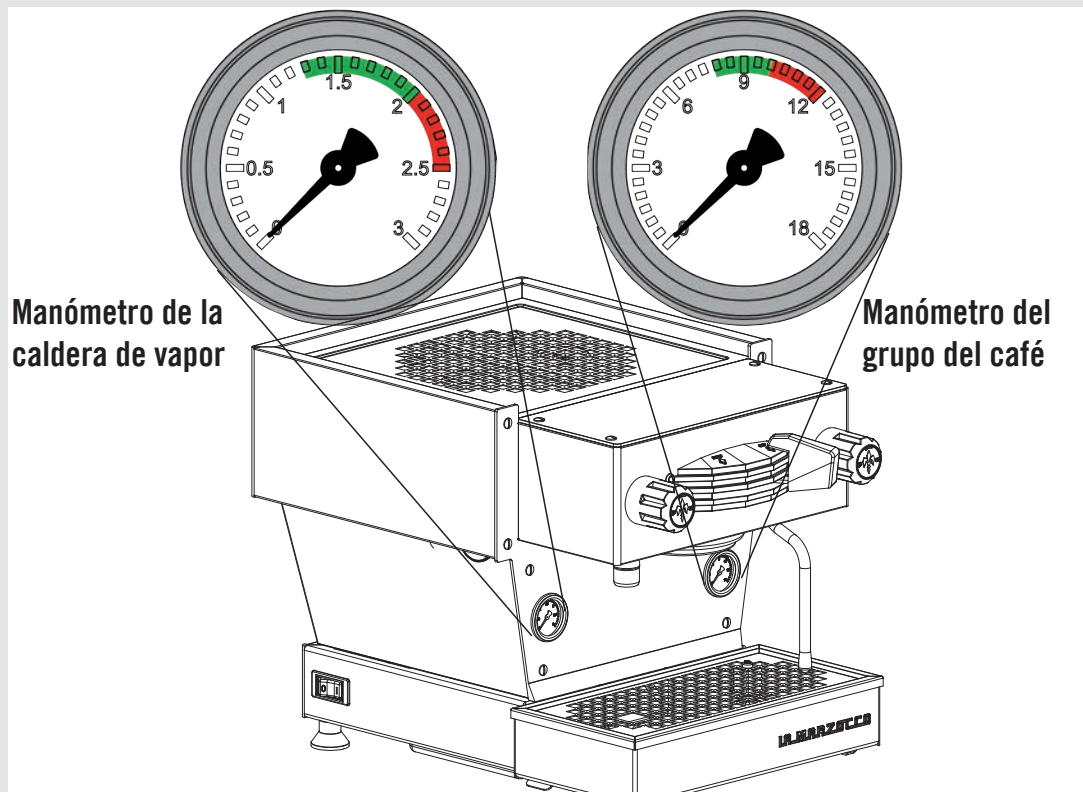


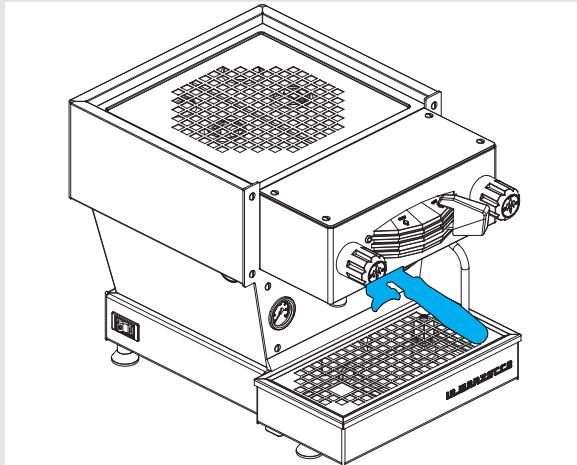
- 7** Siga este procedimiento si es necesario ajustar la válvula de expansión. Primero extraiga la caja de drenaje para acceder a la válvula de expansión. La válvula de expansión sobresale a través de la lámina de metal, tiene forma de hexágono, es de color bronce y CH18 (herramienta). La válvula estará caliente, por lo tanto, usando una protección adecuada, para ajustar la válvula de expansión gírela hacia la derecha para subir la presión y hacia la izquierda para reducir la presión. Es posible que sea necesario utilizar una llave para girar la válvula de expansión en incrementos de 1/4 de vuelta o inferiores hasta lograr la presión deseada. Vuelva a colocar la caja de drenaje después de cada ajuste para asegurar que la máquina funcione correctamente.

**▲ La válvula de expansión puede descargar agua caliente con una temperatura de hasta 93 °C. Es necesario usar una protección adecuada para manejar este componente antes de ajustarlo. ▲**

8

También puede controlar el progreso de calentamiento de la caldera de vapor observando el manómetro de dicha caldera. La caldera de vapor se configura en fábrica a aproximadamente 2,0 bar de presión. Una vez que el manómetro llegue a este punto, el calentamiento se detendrá.





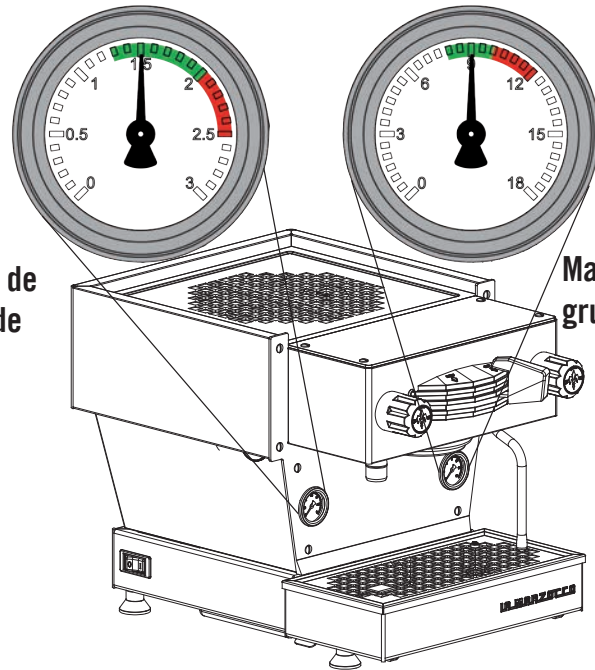
9

Cuando la máquina espresso esté lista (led rojo ON), coloque el café en el portafiltro y active el proceso de preparación. Para obtener más información sobre el uso de esta máquina espresso, consulte el Manual del Propietario.

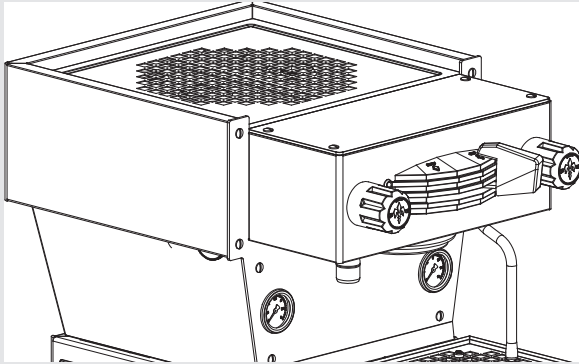
10

Cuando prepara el café, la presión del grupo del café debe estar entre 8 y 10 bar. La presión de la caldera de vapor debe estar definida en 2 bar pero puede funcionar en cualquier medida entre 1,3 bar y 2 bar.

Manómetro de la caldera de vapor



Manómetro del grupo del café



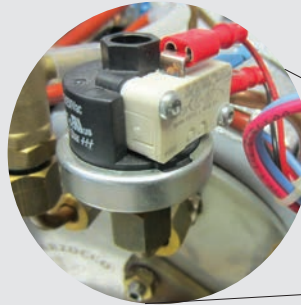
11

Este parámetro se define en fábrica con una temperatura nominal prefijada.

La temperatura de preparación del agua se mide en el punto más crítico del grupo de café donde la fluctuación de la temperatura es mayor.

La temperatura del agua que sale de la cabeza del grupo se mantiene constante por medio de la masa de la fundición del grupo. Aunque la temperatura del agua puede variar ligeramente, la temperatura del agua que sale del grupo es constante.

Para calibrar correctamente la temperatura de cualquier máquina espresso, es importante medir la temperatura del agua que sale del grupo por medio de un dispositivo externo de medición de temperatura.



12

Es posible regular la presión de la caldera de vapor mediante el presostato.

