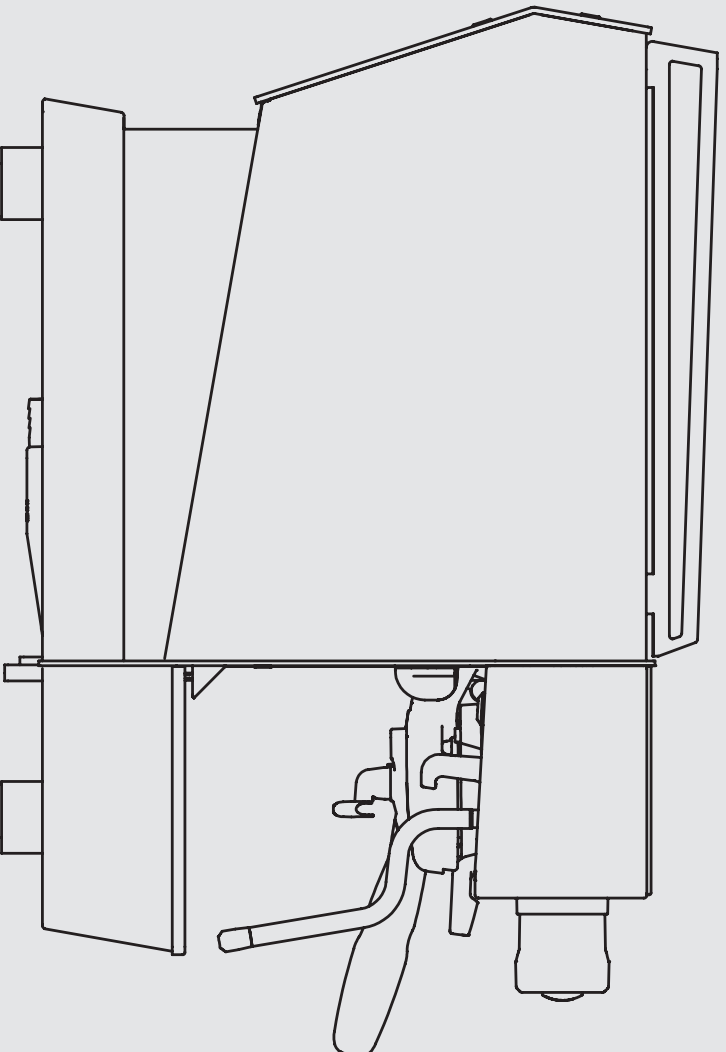


parts catalog

Kb90







la marzocco
handmade in florence

INDEX

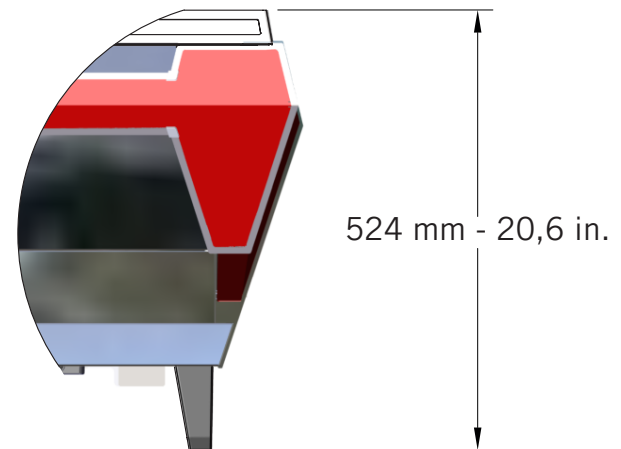
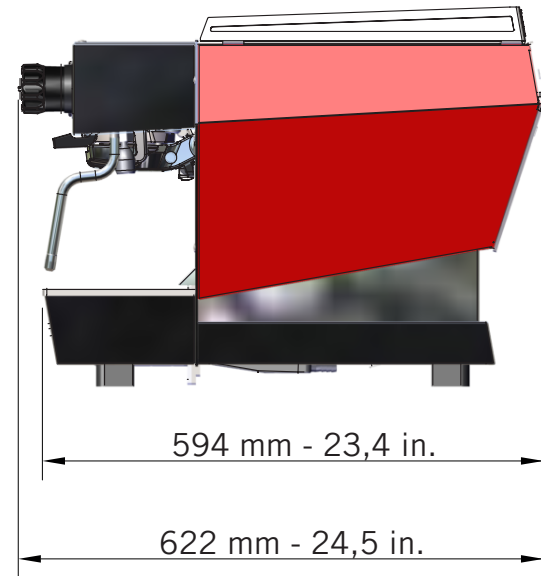
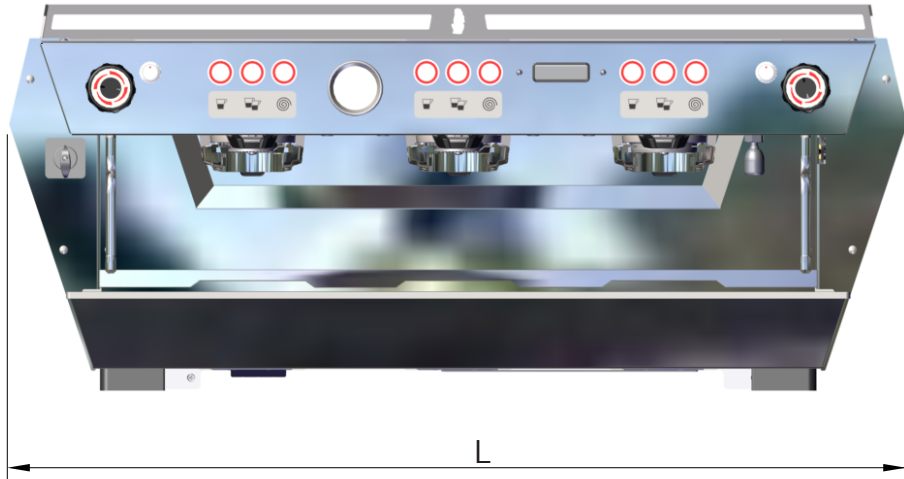
		Pag.	Ver.
Specifications	Caratteristiche Tecniche	4	1.2
Body Panel Assembly	Carrozzeria	6	1.2
Control Panel Assembly	Pannello di Controllo	10	1.2
Steam and Hot Water Wands Assembly	Lancia Vapore e Acqua Calda	14	1.2
Hydraulic Assembly	Impianto Idraulico	18	1.2
Autoclean and Autopurge Assembly	Autopulizia e Autospurgo	24	1.2
Fittings and Valves	Raccordi e Valvole	26	1.2
Coffee Boiler	Caldaia Caffè	28	1.2
Straight In	Straight In	32	1.2
Steam Boiler	Caldaia Vapore	36	1.2
Scale Version	Versione con Bilance	38	1.2
Cupwarmer Heating Elements	Resistenze Scaldatazze	44	1.2
Heating Elements	Resistenze Elettriche	46	1.2
Electrical Box	Scatola Elettronica	49	1.2
Electrical System and Pump	Impianto Elettrico e Pompa	52	1.2
Portafilter Assembly	Portafiltri	53	1.2
Hose and Accessories	Tubi e Accessori	57	1.2



la marzocco

handmade in florence

SPECIFICATIONS





la marzocco

handmade in florence

SPECIFICATIONS

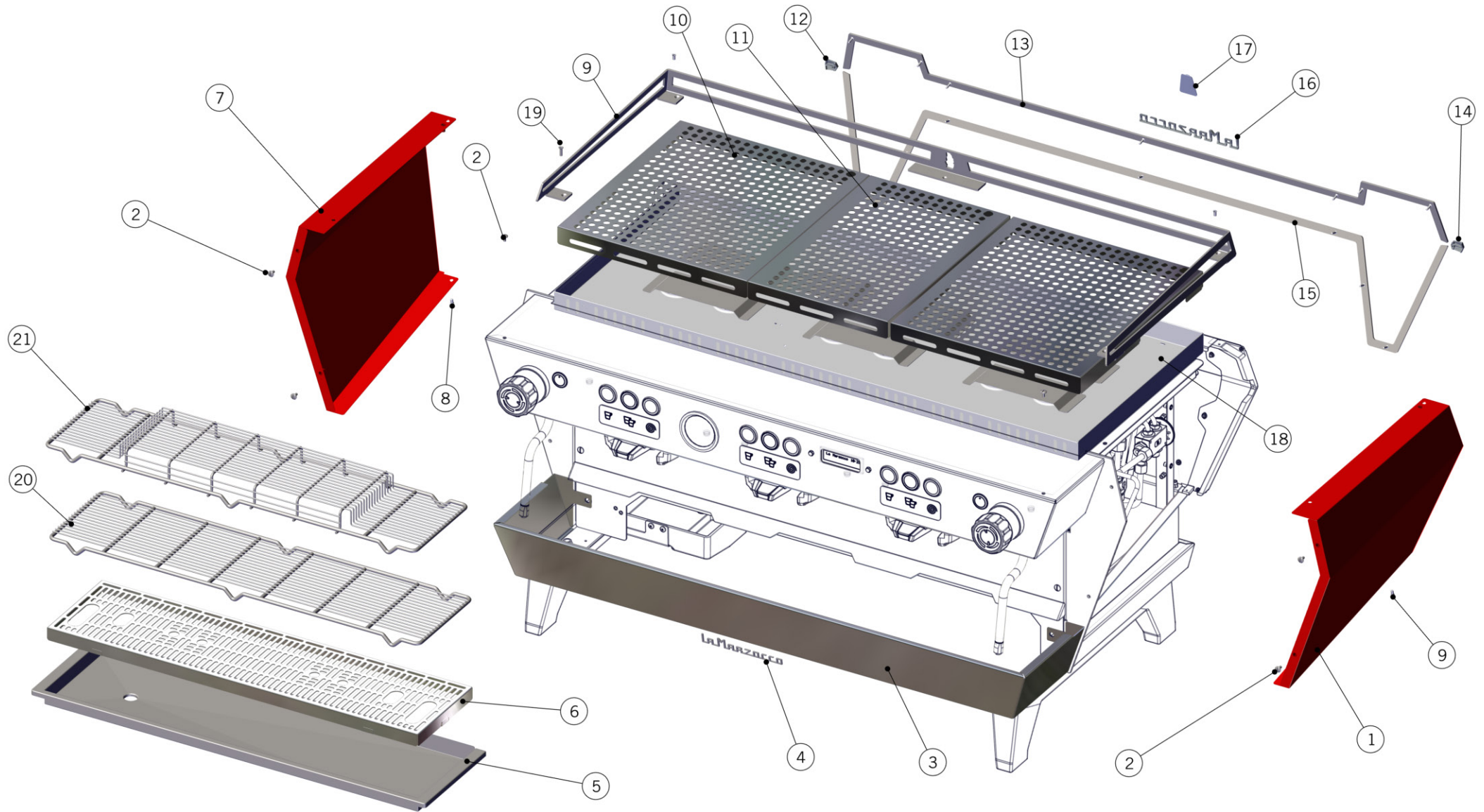
Caratteristiche Tecniche	L	mm	810	1050	1290
		in	32	41,4	50,8
	Machine weight	Kg	72 (±5)	88 (±5)	122 (±5)
		lb	156 (±11)	194 (±11)	269 (±11)
	Electrical Voltage	VAC	200VAC Single/Three Phase	200VAC Single/Three Phase	200VAC Single/Three Phase
			220VAC Single/Three Phase	220VAC Single/Three Phase	220VAC Single/Three Phase
			380VAC Three Phase	380VAC Three Phase	380VAC Three Phase
	Coffee Boiler Wattage	W	2 x 800	3 x 800	4 x 800
	Steam Boiler Wattage	W	3000	4000	4350
	Water Pump	W	300	300	
	Cupwarmer	W	280	420	560
	Total Wattage	W	5666	7783	9170
	Required Available Amperage	A	24,6 (21-24 for ETL)	33,8 (29-33 for ETL)	39,9 (36-41 for ETL)
	Coffee Boiler Capacity	liters	2 x 1,3	3 x 1,3	4 x 1,3
	Steam Boiler Capacity	liters	7,0	11,0	15,0
Total Capacity	liters	9,6	14,9	20,2	
Machine configuration			2GR	3GR	4GR



la marzocco

handmade in florence

BODY PANEL ASSEMBLY





la marzocco

handmade in florence

BODY PANEL ASSEMBLY

Carrozzeria

1	C.1.422.DX	SIDE RIGHT KB90 STANDARD RED	FIANCO DESTRO KB90 ROSSO STANDARD
2	I.1.099	SCREW M4X10 MUSHROOM SLOTTED HEAD S/S	VITE M4X10 TPB A TAGLIO INOX
3	C.1.426.2	COVER TRAY DRAIN KB90 2GR	COPERTURA BACINELLA KB90 2GR
	C.1.426.3	COVER TRAY DRAIN KB90 3GR	COPERTURA BACINELLA KB90 3GR
	C.1.426.4	COVER TRAY DRAIN KB90 4GR	COPERTURA BACINELLA KB90 4GR
4	D.4.034.01	LOGO LA MARZOCCO FRONT KB90	LOGO LA MARZOCCO FRONTALE KB90
5	C.1.424.2	TRAY DRAIN KB90 2GR	BACINELLA DI SCARICO KB90 2GR
	C.1.424.3	TRAY DRAIN KB90 3GR	BACINELLA DI SCARICO KB90 3GR
	C.1.424.4	TRAY DRAIN KB90 4GR	BACINELLA DI SCARICO KB90 4GR
6	C.1.427.2	GRID DRAIN KB90 2GR	GRIGLIA SCARICO KB90 2GR
	C.1.427.3	GRID DRAIN KB90 3GR	GRIGLIA SCARICO KB90 3GR
	C.1.427.4	GRID DRAIN KB90 4GR	GRIGLIA SCARICO KB90 4GR
7	C.1.422.SX	SIDE LEFT KB90 STANDARD RED	FIANCO SINISTRO KB90 ROSSO STANDARD
8	I.1.088	SCREW M4X8 SLOTTED COUNTERSUNK S/S REDUC	VITE M4X8 TS A TAGLIO INOX TESTA RIDOTTA
9	C.1.419.2	RAILING CUPS KB90 2GR	CORNICE TAZZE KB90 2GR
	C.1.419.3	RAILING CUPS KB90 3GR	CORNICE TAZZE KB90 3GR
	C.1.419.4	RAILING CUPS KB90 4GR	CORNICE TAZZE KB90 4GR
10	C.1.164	GRID CUPWARMER 323MM LINEA PB	GRIGLIA SCALDATAZZE 323MM LINEA PB
11	C.1.165	GRID CUPWARMER 239MM LINEA PB	GRIGLIA SCALDATAZZE 239MM LINEA PB
12	C.7.001	PLATE FRAME KB90 LFT	PLACCHETTA CORNICE KB90 SX
13	C.1.420.2	TOP FRAME KB90 2GR W/PEM	CORNICE SUPERIORE KB90 2GR C/PEM
	C.1.420.3	TOP FRAME KB90 3GR W/PEM	CORNICE SUPERIORE KB90 3GR C/PEM
	C.1.420.4	TOP FRAME KB90 4GR W/PEM	CORNICE SUPERIORE KB90 4GR C/PEM
14	C.7.000	PLATE FRAME KB90 RGT	PLACCHETTA CORNICE KB90 DX
15	C.1.421.2	BOTTOM FRAME KB90 2GR W/PEM	CORNICE INFERIORE KB90 2GR C/PEM
	C.1.421.3	BOTTOM FRAME KB90 3GR W/PEM	CORNICE INFERIORE KB90 3GR C/PEM
	C.1.421.4	BOTTOM FRAME KB90 4GR W/PEM	CORNICE INFERIORE KB90 4GR C/PEM
16	D.3.021	LOGO LA MARZOCCO KB90	LOGO LA MARZOCCO KB90
17	D.3.022	LION KB90 LOGO	LOGO LEONE KB90
18	C.1.146.2.01	TRAY CUPWARMER LINEA PB 2GR	VASSOIO SCALDATAZZE LINEA PB 2GR
	C.1.146.3.01	TRAY CUPWARMER LINEA PB 3GR	VASSOIO SCALDATAZZE LINEA PB 3GR
	C.1.146.4.01	TRAY CUPWARMER LINEA PB 4GR	VASSOIO SCALDATAZZE LINEA PB 4GR
19	I.1.093	SCREW M4X14 PHILLIPS COUNTERSUNK S/S A2	VITE M4X14 TS A CROCE INOX A2
20	C.1.454.2	WIRE GRID KB90 2GR	GRIGLIA A FILO KB90 2GR
	C.1.454.3	WIRE GRID KB90 3GR	GRIGLIA A FILO KB90 3GR
	C.1.454.4	WIRE GRID KB90 4GR	GRIGLIA A FILO KB90 4GR
21	C.1.453.2	WIRE GRID W/STAND KB90 2GR	GRIGLIA A FILO C/RIALZO KB90 2GR
	C.1.453.3	WIRE GRID W/STAND KB90 3GR	GRIGLIA A FILO C/RIALZO KB90 3GR
	C.1.453.4	WIRE GRID W/STAND KB90 4GR	GRIGLIA A FILO C/RIALZO KB90 4GR
Item	Part number/Codice	Description	Descrizione



la marzocco

handmade in florence

BODY PANEL ASSEMBLY

Carrozzeria

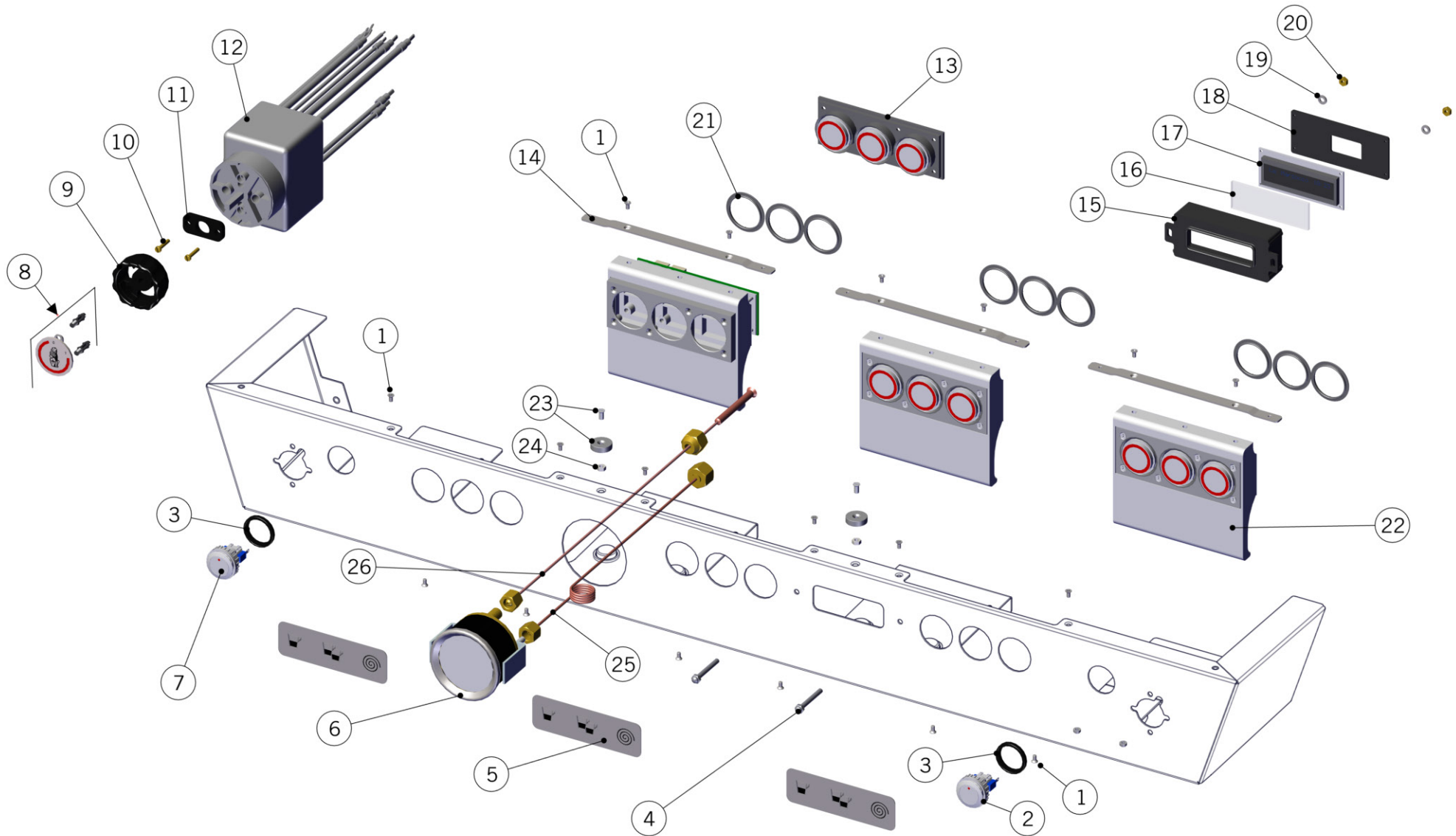
1	C.1.415.DX	FRONT RIGHT PANEL KB90	FRONTALE DESTRO KB90
2	C.1.436.2	BASE KB90 2 GROUPS	BASE KB90 2 GRUPPI
	C.1.436.3	BASE KB90 3 GROUPS	BASE KB90 3 GRUPPI
	C.1.436.4	BASE KB90 4 GROUPS	BASE KB90 4 GRUPPI
3	C.1.438.2	PANEL FRONT KB90 2GR	PANNELLO FRONTALE KB90 2GR
	C.1.438.3	PANEL FRONT KB90 3GR	PANNELLO FRONTALE KB90 3GR
	C.1.438.4	PANEL FRONT KB90 4GR	PANNELLO FRONTALE KB90 4GR
4	I.1.099	SCREW M4X10 MUSHROOM SLOTTED HEAD S/S	VITE M4X10 TPB A TAGLIO INOX
5	C.1.416.2	PANEL SWITCH KB90 2GR	PANNELLO INTERRUTTORI KB90 2GR
	C.1.416.3	PANEL SWITCH KB90 3GR	PANNELLO INTERRUTTORI KB90 3GR
	C.1.416.4	PANEL SWITCH KB90 4GR	PANNELLO INTERRUTTORI KB90 4GR
	C.1.417.2	PANEL SWITCH KB90 2GR W/CUPWARMER	PANNELLO INTERRUTTORI KB90 2GR C/SCALD.
	C.1.417.3	PANEL SWITCH KB90 3GR W/CUPWARMER	PANNELLO INTERRUTTORI KB90 3GR C/SCALD.
	C.1.417.4	PANEL SWITCH KB90 4GR W/CUPWARMER	PANNELLO INTERRUTTORI KB90 4GR C/SCALD.
6	C.1.415.SX	FRONT LEFT PANEL KB90	FRONTALE SINISTRO KB90
7	C.1.180	BRACKET TERMINAL BLOCK LINEA PB	STAFFA MORSETTIERA LINEA PB
8	C.2.049.SX	SIDE STRUCTURAL LFT KB90	FIANCO STRUTTURALE SX KB90
9	C.2.049.DX	SIDE STRUCTURAL RGT KB90	FIANCO STRUTTURALE DX KB90
10	C.1.423.2	PANEL BACK KB90 2GR STANDARD RED	PANNELLO POSTERIORE KB90 2GR ROSSO STD
	C.1.423.3	PANEL BACK KB90 3GR STANDARD RED	PANNELLO POSTERIORE KB90 3GR ROSSO STD
	C.1.423.4	PANEL BACK KB90 4GR STANDARD RED	PANNELLO POSTERIORE KB90 4GR ROSSO STD
11	VITE3X8	SCREW M3X8 PHILLIPS ROUND-PAN S/S A2	VITE M3X8 TCB A CROCE INOX A2
12	RONDELLA4X9	WASHER 4X9X0,8 BRASS	RONDELLA 4X9X0,8 OTTONE
13	RONDINOXGS/3	WASHER 3X6X0,5 S/S A2	RONDELLA 3X6X0,5 INOX A2
14	DADOINOXM3	NUT M3 H2 WR5,5 S/S A2	DADO M3 H2 CH5,5 INOX A2
15	CL001.01	RUBBER FOOT LEFT/RIGHT	ZOCCOLINO IN GOMMA DX/SX
16	I.1.090	SCREW M10X20 SOCKET CAP S/S A2	VITE M10X20 TC A BRUGOLA INOX
17	F.1.005	PVC FOOT SUPPORTS DM.21 GB5	SUPPORTI PIEDINI PVC DM.21 GB5
18	F.2.026	RUBBER FOOT	PIEDINO UNIVERSALE
19	I.1.073	SCREW M10X25 SOCKET CAP S/S A2	VITE M10X25 TC A BRUGOLA INOX A2
20	C.3.007	HIGH LEG LINEA PB	GAMBA ALTA LINEA PB
21	C.3.007.R	HIGH LEGS LINEA PB COMPLETE SET	SET GAMBE ALTE LINEA PB COMPLETE
22	C.1.418.2	COVER GROUPS KB90 2GR	COPERTURA GRUPPI KB90 2GR
	C.1.418.3	COVER GROUPS KB90 3GR	COPERTURA GRUPPI KB90 3GR
	C.1.418.4	COVER GROUPS KB90 4GR	COPERTURA GRUPPI KB90 4GR
Item	Part number/Codice	Description	Descrizione



la marzocco

handmade in florence

CONTROL PANEL ASSEMBLY





la marzocco

handmade in florence

CONTROL PANEL ASSEMBLY

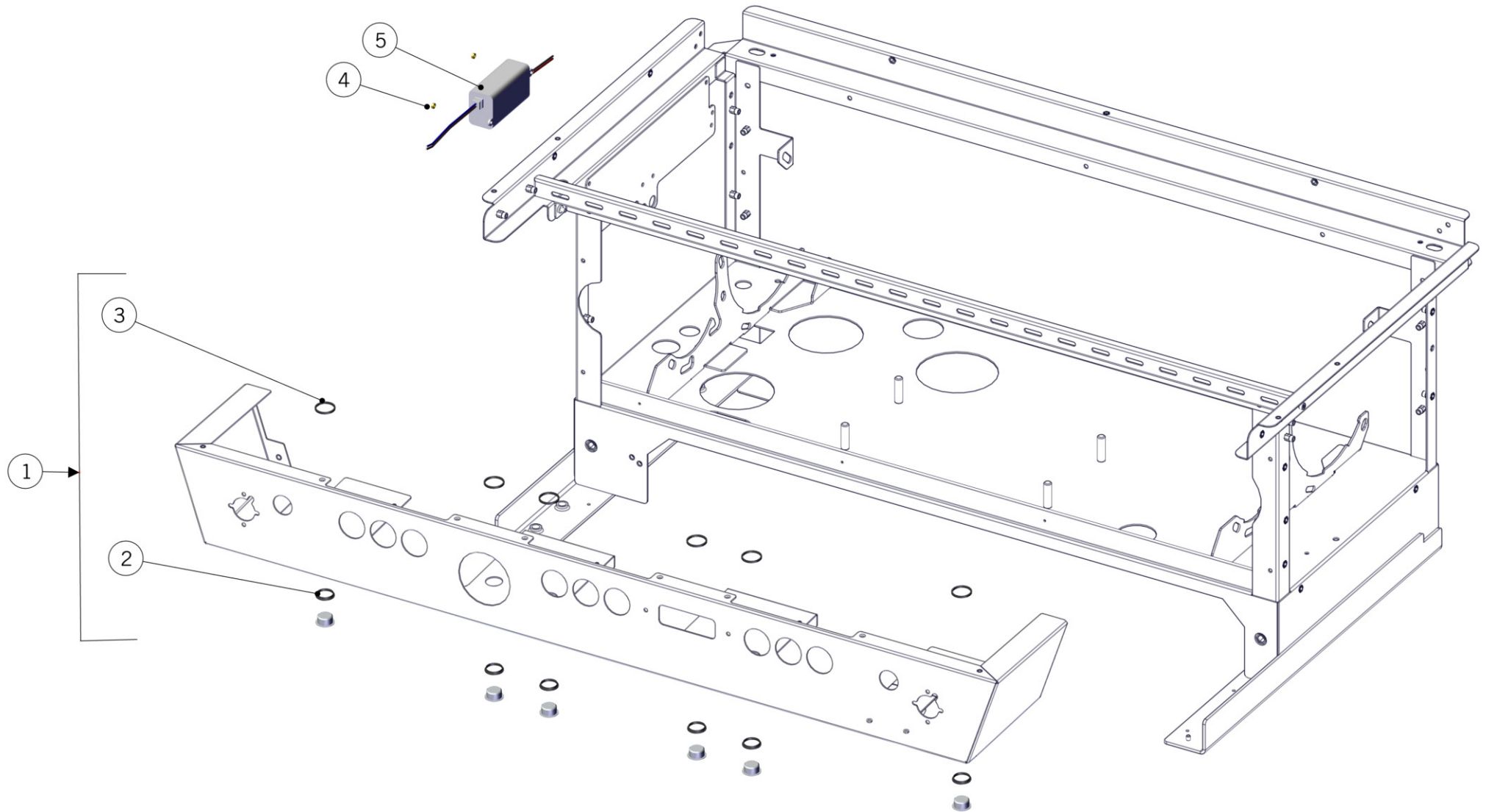
Pannello di Controllo

1	I.1.060	SCREW M3X6 PHILLIPS COUNTERSUNK S/S A2	VITE M3X6 TS A CROCE INOX A2
2	E.2.051.R	SWITCH HOT WATER W/WHITE LED WITH RISER	TASTO TE' C/LED BIANCO CON BOCCOLA
3	F.1.132	SPACER BUTTON HOT WATER	DISTANZIALE TASTO ACQUA CALDA
4	I.2.001.01	KEYPAD SCREW	VITI FISSAGGIO PULSANTIERA C/ESAGONO
5	D.4.007	COFFEE DOSES LABEL	TARGHETTA DOSI CAFFE'
6	E.3.010	PRESSURE GAUGE 0-3 0-18 RED W/LION	MANOMETRO 0-3 0-18 ROSSO C/LEONE
7	E.2.052.R	SWITCH CUPWARMER W/WHITE LED WITH RISER	TASTO SCALDAT. C/LED BIANCO CON BOCCOLA
8	D.4.033.R	COVER SWITCH KB90 W/SPACERS	COPERTURA INTER. KB90 C/DISTANZIALI
9	F.1.139	HANDLE SWITCH KB90	MANOPOLA INTERRUTTORE KB90
10	VITE3X16	SCREW M3X16 CHEESE BRASS	VITE M3X16 TC A TAGLIO OTTONE
11	F.1.130	SPACER SWITCH KB90	DISTANZIALE INTERRUTTORE KB90
12	E.2.049	BIPOLAR SWITCH 32A W/CABLES W/FASTON	INTERRUTTORE BIPOLARE 32A+CAVI C/FASTON
	E.2.050.01	TRIPOLAR SWITCH 17A W/CABLES W/FASTON	INTERRUTTORE TRIPOLARE 17A+CAVI C/FASTON
	E.2.067	TRIPOLAR SWITCH 32A W/CABLES W/FASTON	INTERRUTTORE TRIPOLARE 32A+CAVI C/FASTON
13	E.2.072	MEMBRANE KEYPAD W/BUTTONS FOR E.2.038	MEMBRANA C/TASTI PER PULSANITERA E.2.038
14	C.1.432	BRACKET KEYPAD KB90	STAFFA PULSANTIERA KB90
15	F.1.040.01	LINEA PB DISPLAY FRONT COVER	SCATOLA DISPLAY LINEA PB
16	F.1.042	LINEA PB DISPLAY PROTECTION GLASS	VETRINO SCATOLA DISPLAY LINEA PB
17	E.1.024	DISPLAY OLED RED LINEA PB	DISPLAY OLED ROSSO LINEA PB
18	F.1.041	LINEA PB DISPLAY BACK COVER	COPERCHIO RETRO SCATOLA DISPLAY LINEA PB
19	ROND_DENT_4	TOOTH LOCK WASHER 4X8X1 GALVANIZED	ROND.DENTATA 4X8X1 ZINCATA
20	DADO4M	NUT M4 H3 WR7 BRASS	DADO M4 H3 CH7 OTTONE
21	F.1.048	LINEA PB PUSH BUTTON WAY	BOCCOLINA X PULSANTIERE LINEA PB
22	E.2.038	KEYPAD 3 BUTTONS RED LINEA PB	PULSANTIERA 3 TASTI ROSSA LINEA PB
23	F.9.004.R	MAGNET KIT	KIT MAGNETE PER RICAMBI
24	DADO4M	NUT M4 H3 WR7 BRASS	DADO M4 H3 CH7 OTTONE
25	TL11/234	TUBE PRESSURE GAUGE - COFFEE B. 2-3-4GR	TUBO MANOMETRO - C.CAFFE 2-3-4GR
26	TL10	TUBE PRESSURE GAUGE - STEAM BOILER	TUBO MANOMETRO - CALDAIA VAPORE
Item	Part number/Codice	Description	Descrizione



la marzocco
handmade in florence

CONTROL PANEL ASSEMBLY





la marzocco

handmade in florence

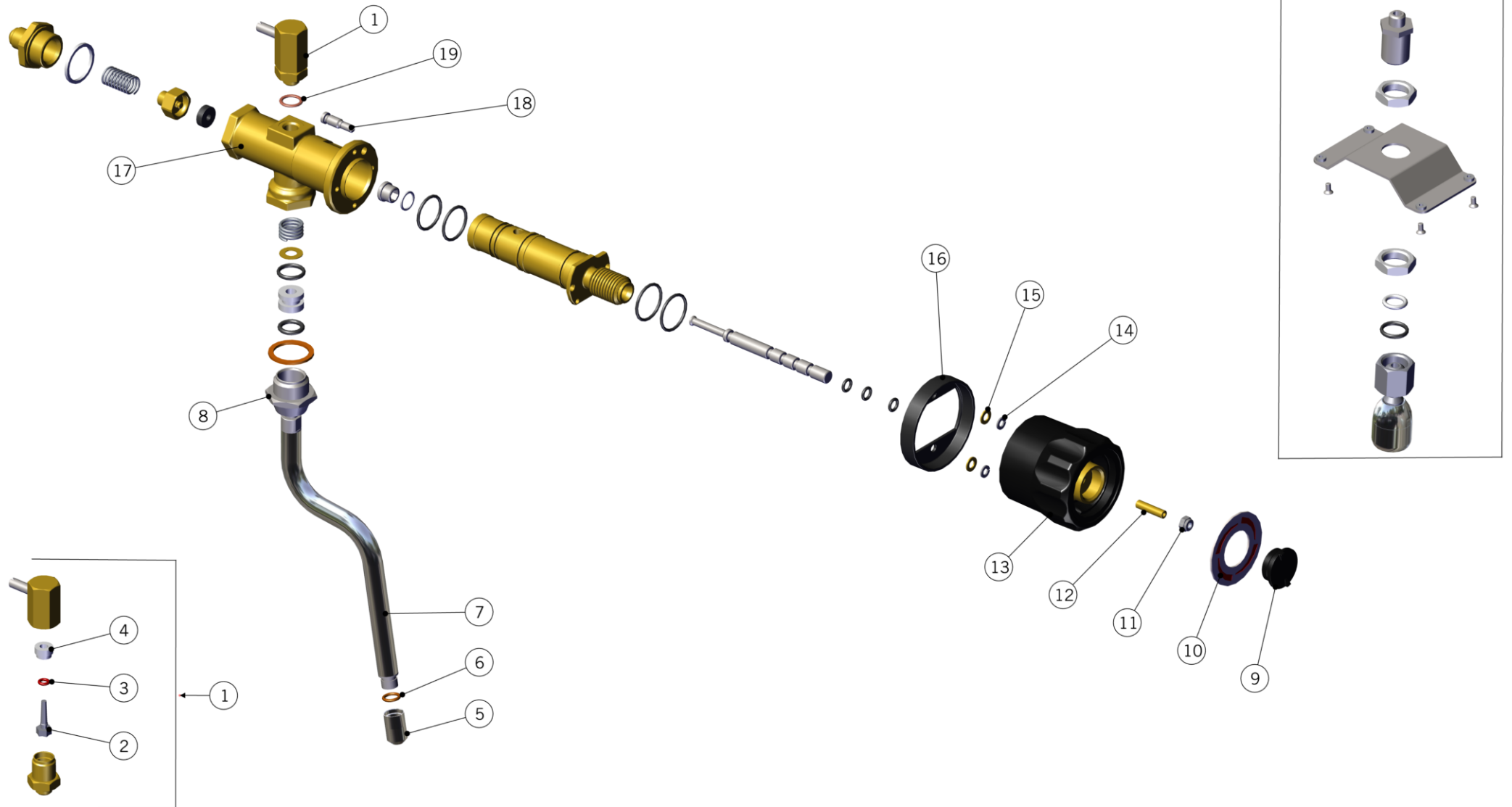
CONTROL PANEL ASSEMBLY

Pannello di Controllo	1	E.4.023.02.R	WHITE LED 16MM W/CONNECTOR + KIT WASHER	LED 16MM BIANCO C/CONNETTORE + KIT ROND.
	2	F.1.049	SPACER LED LIGHT	BOCCOLA LUCI LED
	3	F.1.050	WASHER LED LIGHT	RONDELLA LUCI LED
	4	DADO3M	NUT M3 H3 WR5,5 BRASS	DADO M3 H3 CH5,5 OTTONE
	5	E.4.024.01.R	KIT BARISTA LIGHTS POWER SUPPLY W/WIRING	KIT ALIMENTATORE LUCI BARISTA C/CAVI
	Item	Part number/Codice	Description	



la marzocco
handmade in florence

STEAM AND HOT WATER ASSEMBLY





la marzocco

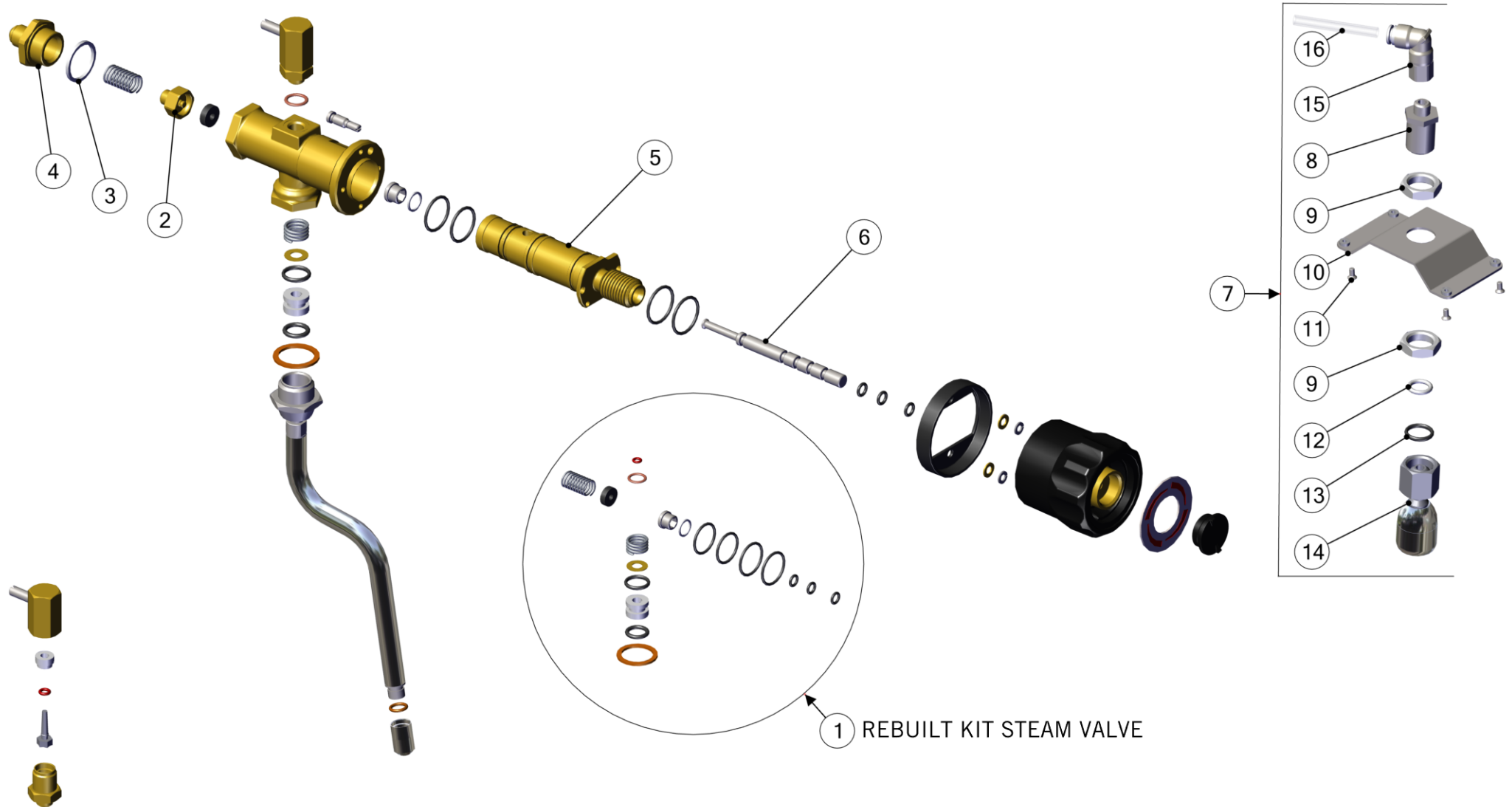
handmade in florence

STEAM AND HOT WATER ASSEMBLY

Lancia - Rubinetto Vapore

1	L192.02	ANTI-SUCTION VALVE RP	VALVOLA ANTI-DEPRESSIONE X RUBINETTO RP
2	B.2.013.01	ANTI-SUCTION VALVE SHAFT TREATED	ALBERINO V. ANTIRISUCCHIO TRATTATA
3	F.2.019	O-RING 1,78X3,68 SILICONE 70 SH	O-RING 1,78X3,68 SILICONE 70 SH
4	B.3.001	PTFE ANTI-SUCTION VALVE SEAL	PASTIGLIA TEFLON X VALV. ANTI
5	A.5.050	STEAM TIP PRO TOUCH D1,5	SPRUZZATORE VAPORE PRO TOUCH D1,5
6	H.1.027	O-RING 1,78X7,65 VITON 70 SH	O-RING 1,78X7,65 VITON 70 SH
7	T.2.013	STEAM WAND S SHAPE PRO TOUCH	LANCIA VAPORE FORMA AD S PRO TOUCH
8	A.5.121	CONNECTOR G1/2 INOX	RACCORDO G1/2 ES27L23 INOX ATT.LAN.
9	F.1.140	CAP KNOB STEAM KB90	TAPPO MANOPOLA VAPORE KB90
10	D.4.032	STEAM VALVE KNOB COVER KB90	PLACCHETTA MANOPOLA VAPORE KB90
11	I.3.016	SELF LOCK NUT M5 H5 WR8 GALVANIZED	DADO AUTOBLOCCANTE M5 H5 CH8 ZINCATO
12	I.4.005	SOCKET GRUB SCREW M5X20 BRASS DIN913	GRANO M5X20 A BRUGOLA OTTONE DIN913
13	F.1.128	STEAM VALVE KNOB KB90	MANOPOLA RUBINETTO VAPORE KB90
14	ROND_GROWER4	ZINC-COATED GROWER WASHER M4	RONDELLA GROWER M4 ZINCATA
15	RONDELLA4X9	WASHER 4X9X0,8 BRASS	RONDELLA 4X9X0,8 OTTONE
16	F.1.129	STEAM VALVE KNOB HANDLE COVER KB90	COPERTURA MANOPOLA RUBINETTO VAPORE KB90
17	A.2.119	STEAM VALVE BODY FRONTALLY DISMISSABLE	CORPO RUBINETTO SMONT. FRONTALM.
18	I.1.135	SCREW BLOCK STEAM V. WITH FRONT ACCESS	VITE BLOCCO RUB.V. SMONTABILE FRONT.
19	B.1.001.TR	SPECIAL WASHER 10X14X1,6 COPPER	RONDELLA SPECIALE 10X14X1,6 RAME
Item	Part number/Codice	Description	Descrizione

STEAM AND HOT WATER ASSEMBLY





la marzocco

handmade in florence

STEAM AND HOT WATER ASSEMBLY

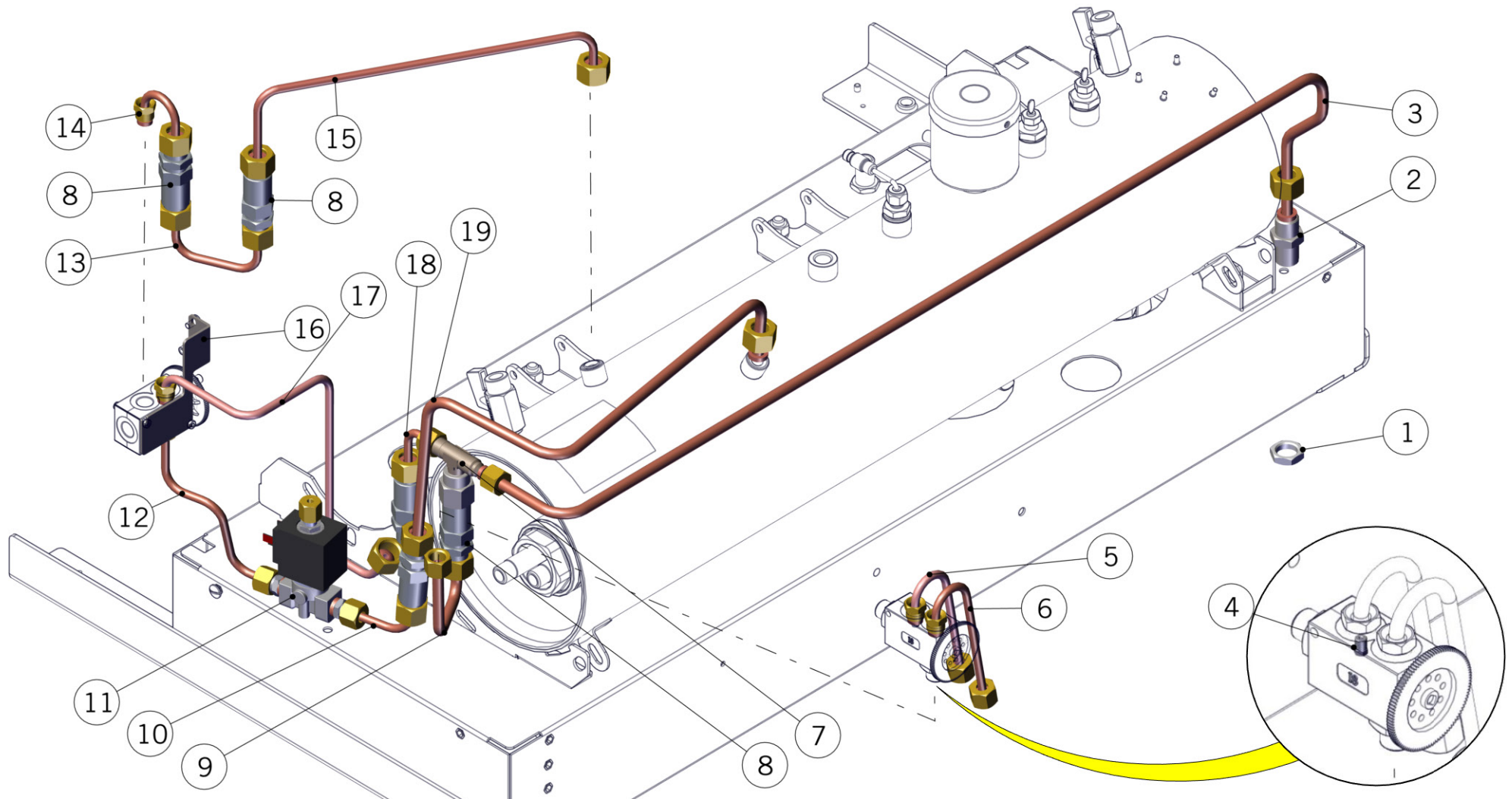
Lancia - Rubinetto Vapore

1	1206	REBUILT KIT STEAM VALVE KB90	KIT MANUTENZIONE RUBINETTO VAPORE KB90
2	A.2.117	VALVE E16 H15 KB90 STEAM VALVE	VALVOLA PORTA-GUAR.E16 H15 RUV.PL
3	A.7.016	GASKET PTFE 25X21,2X2	GUARNIZIONE PTFE 25X21,2X2
4	A.2.116	REAR TUBE CONNECTOR KB90 VALVE	RACCORDO INGR.RUB.ES27 L30 RUV.PLUS
5	A.2.118	INSERT CONNECTOR D37	RACCORDO INSERTO D37 L113,3 RUV.PL.
6	A.5.120	STEAM VALVE S/S LEVER KB90	ASTA INOX316L D8 L104
7	SA285	KB90 HOT WATER BREAK-DRAIN ASSEMBLY	ROMPIGETTO ACQUA CALDA KB90
8	L053/2.01	FITTING G3/8M-G1/8M H31,5 TR.	RACCORDO G3/8M-G1/8M H31,5 TR.
9	L183/1.01	NUT G3/8 H6 CH21 BRASS TREATED	DADO G3/8 H6 CH21 OTTONE TRATTATO
10	C.1.159	BRACKET HOT WATER LINEA PB	STAFFA ACQUA CALDA LINEA PB
11	I.1.060	SCREW M3X6 PHILLIPS COUNTERSUNK S/S A2	VITE M3X6 TS A CROCE INOX A2
12	L169/A1	PTFE GASKET 10x2,5	GUARNIZIONE TEFLON FA 112
13	H.1.003	O-RING 2,62X13,11 FKM 70 SH	O-RING 2,62X13,11 FKM 70 SH
14	L160.02	HOT WATER WAND S/S G3/8F W/DIFFUSER	LANCIA TE INOX G3/8F C/DIFFUSORE
15	A.7.015	FITTING PUSH-IN 90° 6-G1/8F PPSU	RACCORDO RAPIDO 90° 6-G1/8F PPSU
16	T.3.007	PFA TUBE 6mm - 4mm	TUBO PFA 6mm - 4mm
Item	Part number/Codice	Description	Descrizione



la marzocco
handmade in florence

HYDRAULIC ASSEMBLY



**la marzocco**

handmade in florence

HYDRAULIC ASSEMBLY

Impianto Idraulico

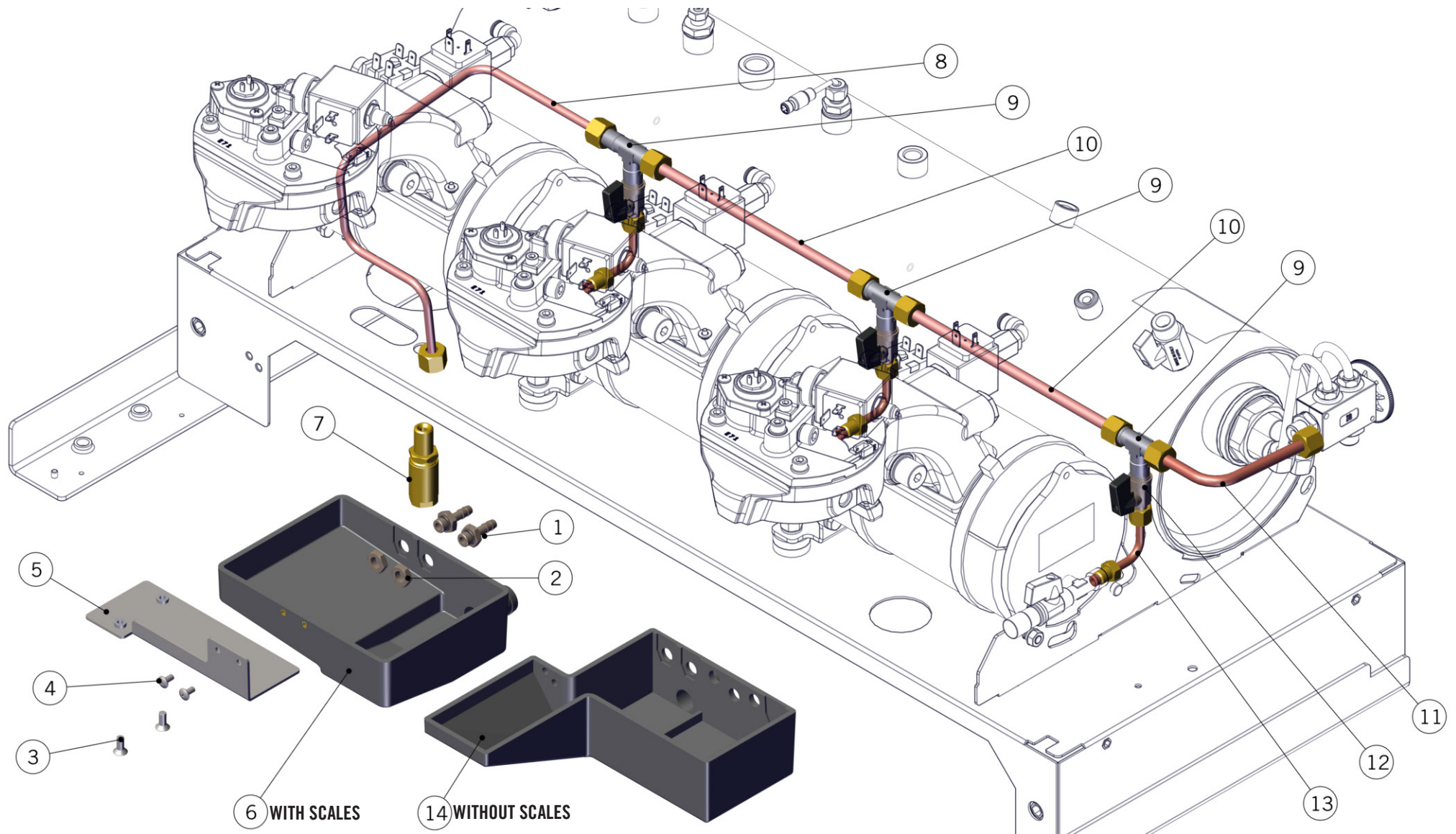
1	L183/1.01	NUT G3/8 H6 CH21 BRASS TREATED	DADO G3/8 H6 CH21 OTTONE TRATTATO
2	A.5.020	NIPPLE G3/8M-G3/8M WR21 H38 BRASS TR.	NIPPLIO G3/8M-G3/8M CH21 H38 OTT. TR.
3	T.1.091.2	TUBE WATER IN. - CHECK V. LINEA PB 2GR	TUBO INGR. ACQUA-V.RITEGNO LINEA PB 2GR
	T.1.091.3	TUBE WATER IN. - CHECK V. LINEA PB 3GR	TUBO INGR. ACQUA-V.RITEGNO LINEA PB 3GR
4	B.2.011.01	GICLEUR 1,5 M5 CH5 BRASS TREATED	GICLEUR 1,5 M5 CH5 OTTONE TRATTATO
5	T.1.106	TUBE MIXING VALVE - PRE-HEATER STRADA	TUBO V.MISC. - PRERISC. STRADA
6	T.1.107	TUBE PRE-HEATER - MIXING VALVE STRADA	TUBO PRERISC. - V. MISC. STRADA
7	A.2.002.01	TEE FITTING R1/4M WR13 BRASS TREATED	RACCORDO A T R1/4M CH13 OTTONE TRATT.
8	L032/P.01	CHECK VALVE G3/8M TREATED	VALVOLA DI RITEGNO G3/8M TRATTATA
9	T.1.104	TUBE CHECK V. - COFFEE MIXING V. STRADA	TUBO V.RITEGNO - V.MISC. CAFFE' STRADA
10	T.1.117	TUBE AUTOFILL SOLENOID V. - CHECK VALVE	TUBO EV. RIEMP. - VALVOLA DI RITEGNO
11	L100/E.02	SOLENOID VALVE 3 WAY 220/240V	ELETTROVALVOLA 3 VIE 220/240V
	L100/E200.01	SOLENOID VALVE 3 WAY 200V	ELETTROVALVOLA 3 VIE 200V
12	T.1.254	TUBE TEA MIX V. - AUTOFILL SOLENOID V.KB	TUBO V. MISC. ACQUA CALDA - EV RIEMP.KB
13	T.1.086	TUBE S.B. CHECK V. - TEA MIX V. CHECK V.	TUBO V.RITEGNO C.V.-V.RITEGNO V.MISC.TE'
14	T.1.093	TUBE CHECK V. - TEA MIX V. LINEA PB	TUBO V.RITEGNO - V.MISC. TE' LINEA PB
15	T.1.252	TUBE STEAM B. - HOT WATER CHECK VALVE	TUBO C.VAPORE - V.RITEGNO ACQUA CALDA
16	C.1.431	BRACKET MIXING VALVE KB90	STAFFA VALVOLA DI MISCELAZIONE KB90
17	T.1.082	TUBE CHECK VALVE - MIXING VALVE LINEA PB	TUBO V.RITEGNO - V.MISCELAZIONE LINEA PB
18	T.1.005	TUBE CHECK VALVE - TEE FITTING GB5	TUBO VALVOLA DI RITEGNO - T GB5
19	T.1.084	TUBE CHECK VALVE - STEAM BOILER INLET	TUBO V.RITEGNO - INGRESSO C.VAPORE
Item	Part number/Codice	Description	Descrizione



la marzocco

handmade in florence

HYDRAULIC ASSEMBLY



6 WITH SCALES

14 WITHOUT SCALES



la marzocco

handmade in florence

HYDRAULIC ASSEMBLY

Impianto Idraulico

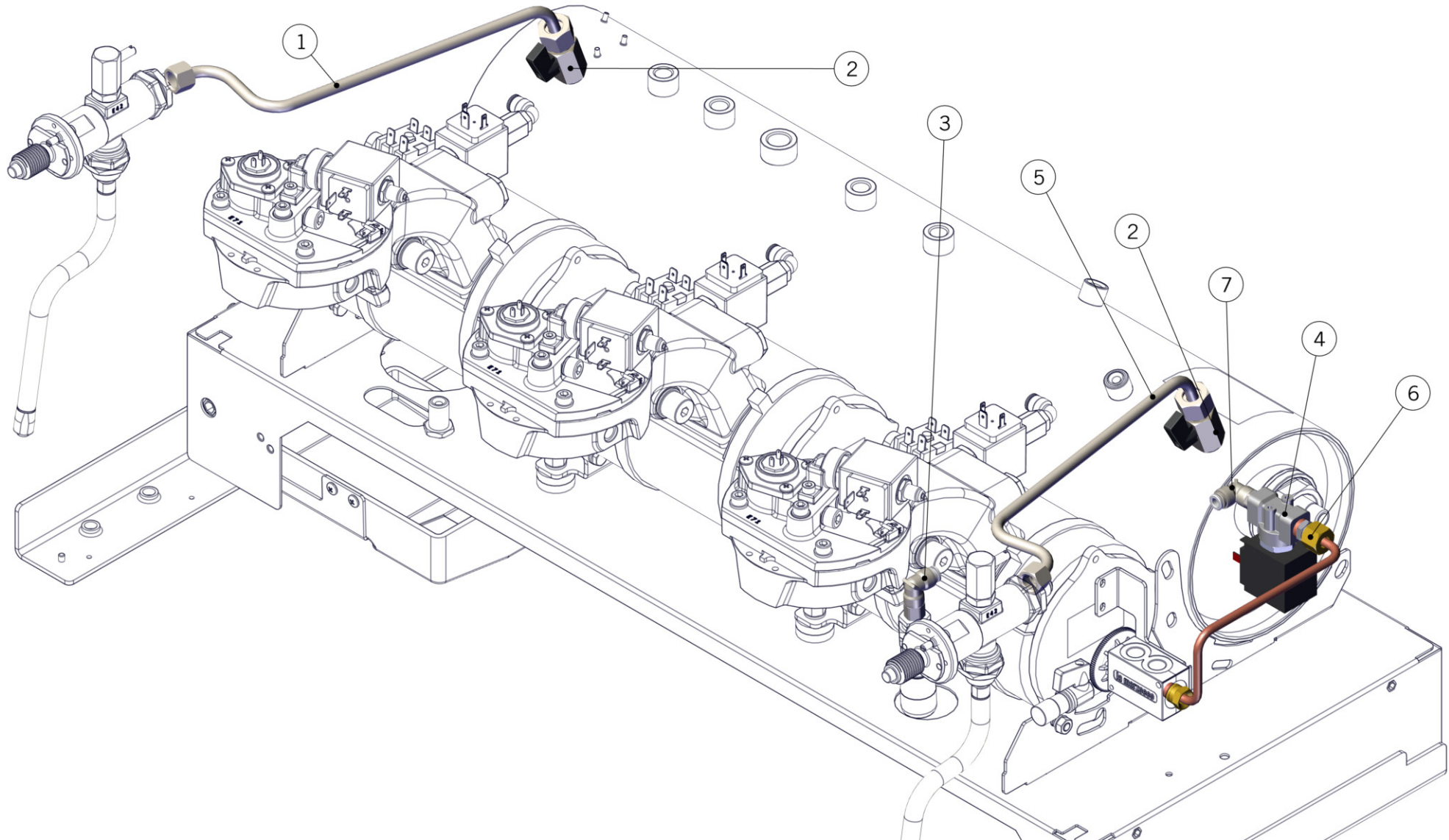
1	L292	GS/3 TUBE FITTING	PORTAGOMMA GS/3
2	L292/R	NUT G1/8 H4,5 WR14 BRASS NICKEL PLATED	DADO G1/8 H4,5 CH14 OT.NICH.(PORTAGOMMA)
3	I.1.044	SCREW M5X12 SOCKET COUNTERSUNK S/S A2	VITE M5X12 TS A BRUGOLA INOX A2
4	I.1.006	SCREW M4X8 PHILLIPS BUTTON HEAD S/S A2	VITE M4X8 TPB A CROCE INOX A2
5	C.1.430	BRACKET DRAIN BOX FB90	STAFFA POZZETTO DI SCARICO KB90
6	F.1.135	DRAIN BOX KB90 W/SCALES	POZZETTO DI SCARICO KB90 C/BILANCE
7	L140_C	COMPLETE EXPANSION VALVE	VALVOLA ESPANSIONE COMPLETA
8	T.1.174	TUBE EXP.V. LINEA PB MULTIPLE B./SCALES	TUBO V.ESP. LINEA PB BILANCE C.SINGOLE
9	A.2.115	TEE FITTING G1/4M G1/8M WR13 BRASS TR.	RACCORDO A T G1/4M G1/8M CH13 OTTONE TR.
10	T.1.113	TUBE COFFEE B. CONNECTION STRADA MP	TUBO COLLEGAMENTO C.CAFFE' STRADA MP
11	T.1.080	TUBE MIX V. - COFFEE B. TEE LINEA PB	TUBO V. MISC. - T C.CAFFE' LINEA PB
12	B.2.016.01	BALL VALVE G1/8F-R1/8M BRASS TREATED	RUBINETTO A SFERA G1/8F-R1/8M OTTONE TR.
13	T.1.257	TUBE VALVE 1/8" - T FITTING	TUBO RUBINETTO 1/8" - RACCORDO A T
14	F.1.056	LINEA PB W/SCALES DRAIN BOX	POZZETTO DI SCARICO LINEA PB BILANCE
Item	Part number/Codice	Description	Descrizione



la marzocco

handmade in florence

HYDRAULIC ASSEMBLY





la marzocco

handmade in florence

HYDRAULIC ASSEMBLY

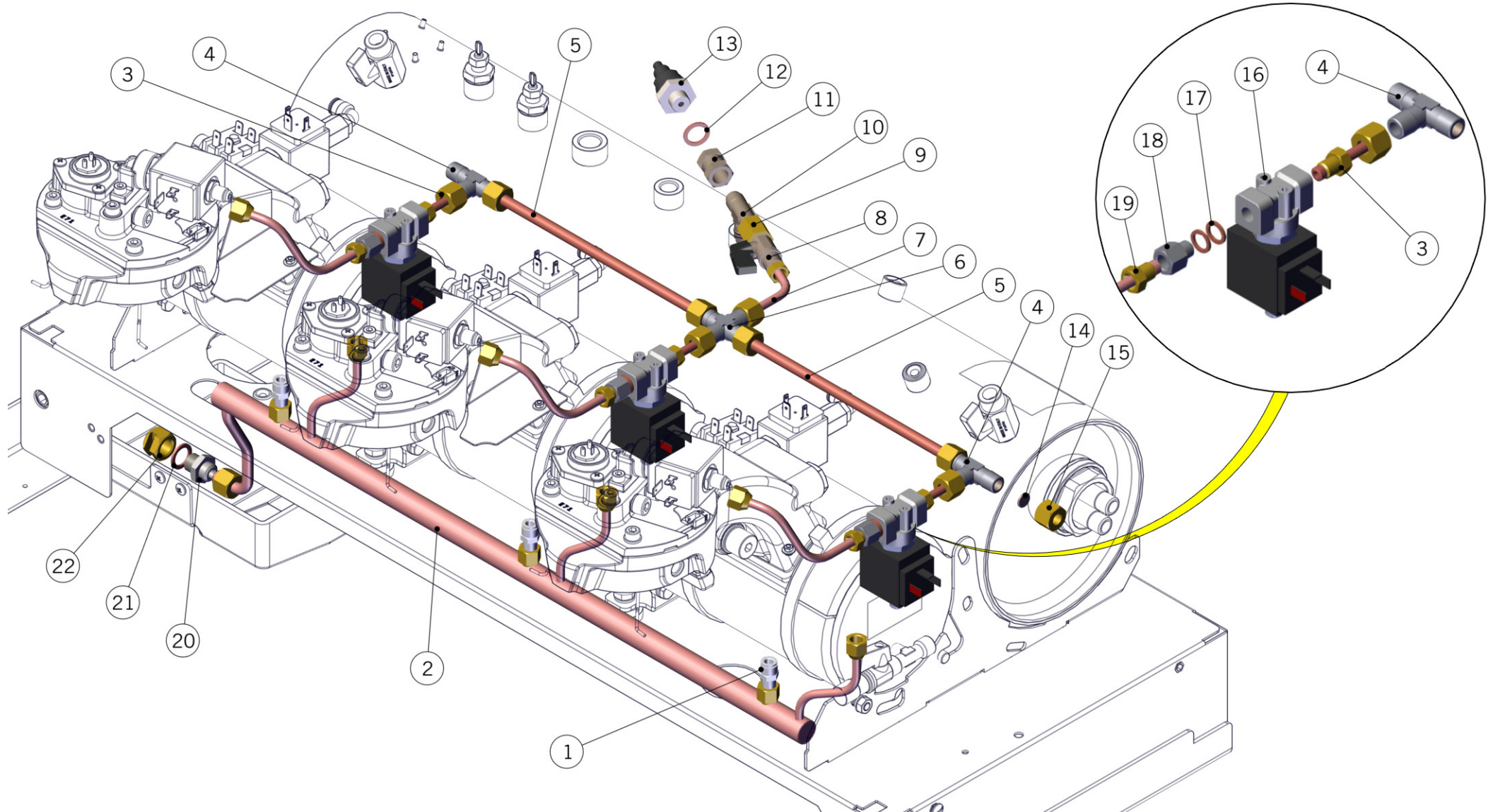
Impianto Idraulico	1	T.1.155.01	TUBE BALL V. S.B. - LEFT STEAM VALVE TR.	TUBO RUB.SFERA C.V.-RUB. VAP. SX TRATT.
	2	L164.02	BALL VALVE G3/8M-G3/8F BRASS TREATED	RUBINETTO A SFERA G3/8M-G3/8F OTTONE TR.
	3	A.7.015	FITTING PUSH-IN 90° 6-G1/8F PPSU	RACCORDO RAPIDO 90° 6-G1/8F PPSU
	4	L053.02	SOLENOID VALVE 2 WAY 220/240V	ELETTROVALVOLA 2 VIE 220/240V
		L053/200.01	SOLENOID VALVE 2 WAY 200V	ELETTROVALVOLA 2 VIE 200V
	5	T.1.156.01	TUBE BALL V. S.B.-RIGHT STEAM VALVE TR.	TUBO RUB.SFERA C.V.-RUB. VAP. DX TRATT.
	6	T.1.255	TUBE TEA MIX V.-TEA SOLENOID V. INLET KB	TUBO V.MISC. TE - INGR. EV TE KB
7	A.7.013	FITTING PUSH-IN 90° 6-G1/8M PPSU	RACCORDO RAPIDO 90° 6-G1/8M PPSU	
Item	Part number/Codice		Description	Descrizione



la marzocco

handmade in florence

AUTOCLEAN and AUTOPURGE ASSEMBLY





la marzocco

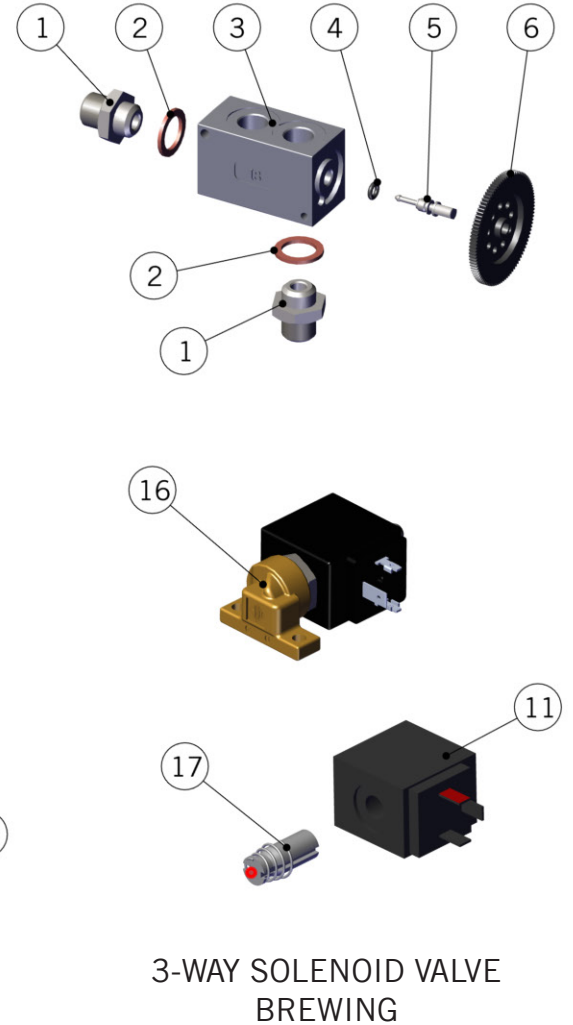
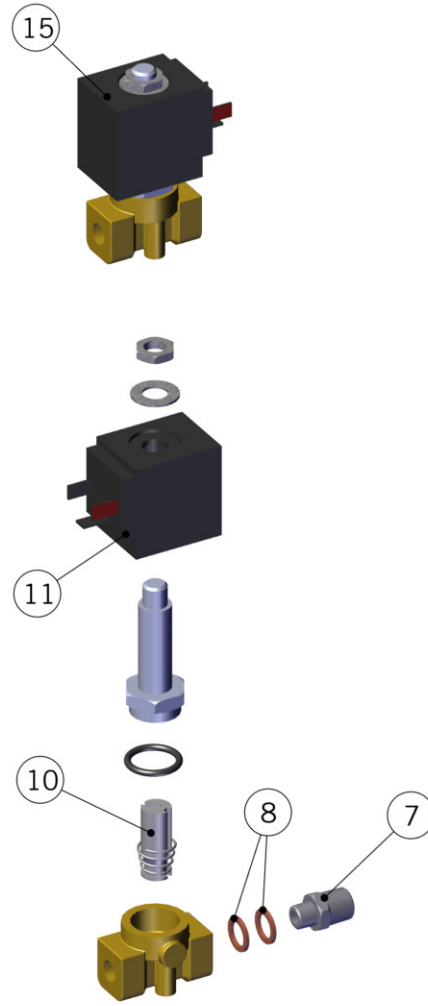
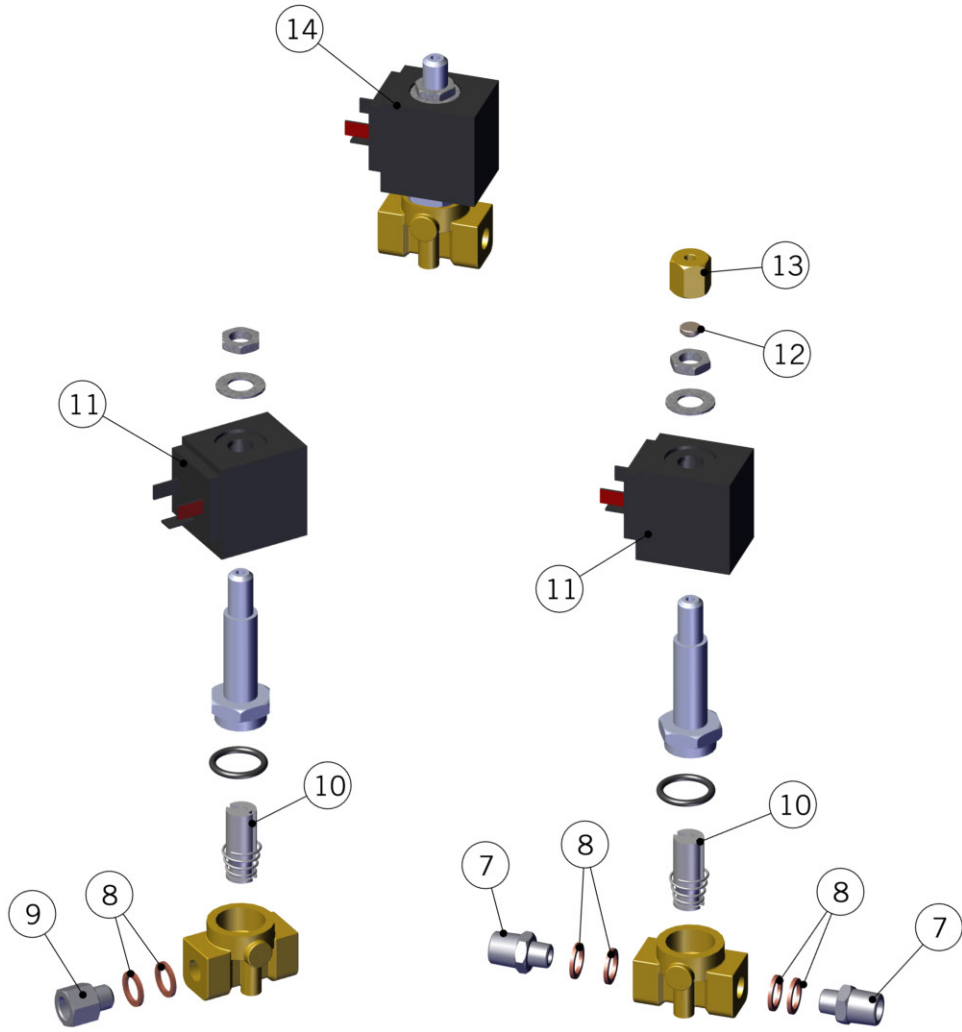
handmade in florence

AUTOCLEAN and AUTOPURGE ASSEMBLY

Impianto Idraulico

1	A.2.105	FITTING PUSH-IN 6-R1/8 BRASS TREATED	RACCORDO RAPIDO 6-R1/8 OTTONE TR.
2	T.1.238.01	TUBE DRAIN KB90 2GR	TUBO DI SCARICO KB90 2GR
	T.1.239.01	TUBE DRAIN KB90 3GR	TUBO DI SCARICO KB90 3GR
	T.1.272	TUBE DRAIN KB90 4GR	TUBO DI SCARICO KB90 4GR
3	T.1.002	SOLENOID VALVE T TUBE	TUBO T - EV RIEMP.
4	A.2.120	TEE FITTING G1/4M WR13 BRASS TREATED	RACCORDO A T G1/4M CH13 OTTONE TRATT.
5	T.1.113	TUBE COFFEE B. CONNECTION STRADA MP	TUBO COLLEGAMENTO C.CAFFE' STRADA MP
6	A.2.111	CROSS FITTING G1/4M WR13 BRASS TREATED	RACC. CROCE G1/4M CH13 4 CARTELLE OT.TR.
7	T.1.253	TUBE S.B. BALL VALVE -CROSS FITTING S.V.	TUBO C.V. RUB.SFERA - CROCIERA EV
8	B.2.016.01	BALL VALVE G1/8F-R1/8M BRASS TREATED	RUBINETTO A SFERA G1/8F-R1/8M OTTONE TR.
9	A.1.019	FITTING G1/4F-G1/8F WR17 BRASS	RACCORDO G1/4F-G1/8F CH17 OTTONE
10	L128.01	TEE FITTING G1/4M WR13 BRASS TREATED	RACCORDO A T G1/4M CH13 OTTONE TRATTATO
11	A.2.003.01	FITTING G1/4F-G1/4F WR17 BRASS TREATED	RACCORDO G1/4F-G1/4F CH17 OTTONE TRATT.
12	L100/1A	WASHER 13,5X19X1,5 COPPER	RONDELLA 13,5X19X1,5 RAME
13	B.2.029	VALVE VACUUM BREAKER SMA G1/4 S/S	VALVOLA ANTIDEPRESSIONE SMA G1/4 INOX
14	L137/4	FERRULE BLIND 11X3 TREATED	GHIANDINA CIECA 11X3 TRATTATO
15	L130/4	FITTING G1/4F H13,5 WR17 BRASS	RACCORDO G1/4F H13,5 CH17 OTTONE
16	L100/E.02	SOLENOID VALVE 3 WAY 220/240V	ELETTROVALVOLA 3 VIE 220/240V
	L100/E200.01	SOLENOID VALVE 3 WAY 200V	ELETTROVALVOLA 3 VIE 200V
17	L100/D	WASHER 10X14X1,5 COPPER	RONDELLA 10X14X1,5 RAME
18	L100/C.01	FITTING G1/8F - G1/8M WR14 BRASS TREATED	RACCORDO G1/8F - G1/8M CH14 OTTONE TR.
19	T.1.256	TUBE STEAM AUTO CLEANING	TUBO VAPORE AUTO CLEANING
20	A.5.019	NIPPLE G1/4M-G1/4M WR19 H21.5 BRASS TR.	NIPPLO G1/4M-G1/4M CH19 H21.5 OTT. TR.
21	L100/1A	WASHER 13,5X19X1,5 COPPER	RONDELLA 13,5X19X1,5 RAME
22	L037/3R	BREAK-DRAIN FOR SOLENOID VALVE	ROMPIGETTO ES.19 MM.
Item	Part number/Codice	Description	Descrizione

FITTINGS AND VALVES



3-WAY SOLENOID VALVE
AUTOCLEAN

3-WAY SOLENOID VALVE
AUTOFILL

3-WAY SOLENOID VALVE
HOT WATER

3-WAY SOLENOID VALVE
BREWING



la marzocco

handmade in florence

FITTINGS AND VALVES

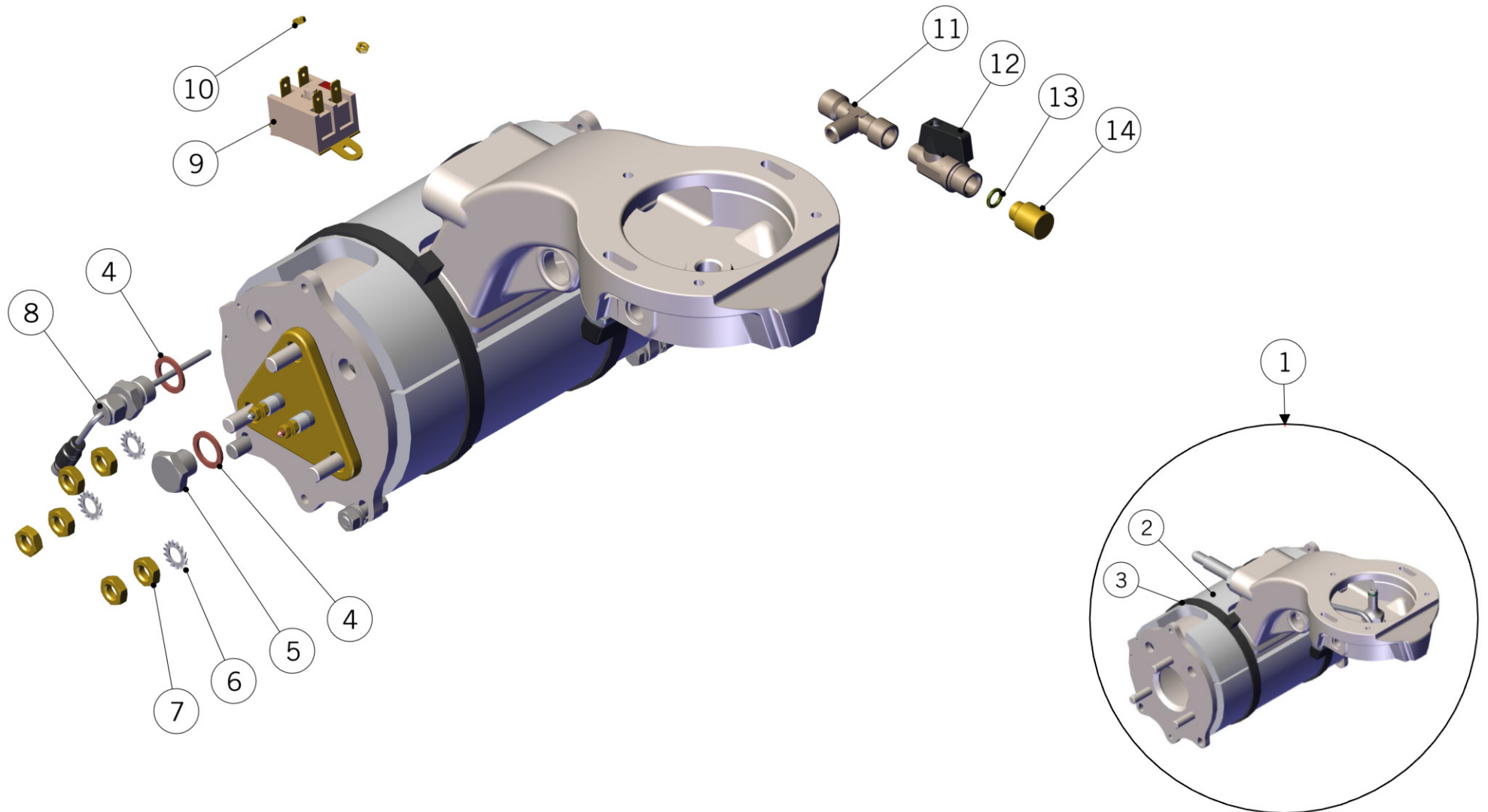
Raccordi e Valvole

1	A.5.019	NIPPLE G1/4M-G1/4M WR19 H21.5 BRASS TR.	NIPPLIO G1/4M-G1/4M CH19 H21.5 OTT. TR.
2	L100/1A	WASHER 13,5X19X1,5 COPPER	RONDELLA 13,5X19X1,5 RAME
3	B.2.007.01	MIXING VALVE BODY TREATED	CORPO VALVOLA MISCELATRICE TRATTATA
4	H.1.007	O-RING 1.78X2.9 FKM 74 SH	O-RING 1.78X2.9 FKM 74 SH
5	F.3.008	THERMOSTATIC VALVE PIN	SPINA X VALV. TERMOSTATICA
6	F.1.016	THERMOSTATIC VALVE ADJUSTMENT KNOB	GHIERA REGOLAZIONE VALVOLA TERMOSTATICA
7	L053/1.01	NIPPLE R1/8M-R1/4M WR14 BRASS TR.	NIPPLIO R1/8M-R1/4M CH14 OTTONE TR.
8	L100/D	WASHER 10X14X1,5 COPPER	RONDELLA 10X14X1,5 RAME
9	L100/C.01	FITTING G1/8F - G1/8M WR14 BRASS TREATED	RACCORDO G1/8F - G1/8M CH14 OTTONE TR.
10	L100/H	3-WAY SOLENOID VALVE VITON PLUNGER	NUCLEO MOBILE X EV.3 VIE VITON
11	L100/G.01	SV COIL 220-240V 8W UL CSA VDE	BOBINA EV 220-240V 8W UL CSA VDE
	L100/G200	SOLENOID COIL 200V	BOBINA PER ELETTROVALVOLA 200V
12	L134/4	FERRULE BLIND 8X4 TREATED	GHIANDINA CIECA 8X4 TRATTATO
13	L134	FITTING G1/8F H14 WR14 D4 BRASS	RACCORDO G1/8F H14 CH14 D4 OTTONE
14	L100/E.02	SOLENOID VALVE 3 WAY 220/240V	ELETTROVALVOLA 3 VIE 220/240V
	L100/E200.01	SOLENOID VALVE 3 WAY 200V	ELETTROVALVOLA 3 VIE 200V
15	L053.02	SOLENOID VALVE 2 WAY 220/240V	ELETTROVALVOLA 2 VIE 220/240V
	L053/200.01	SOLENOID VALVE 2 WAY 200V	ELETTROVALVOLA 2 VIE 200V
16	B.2.004.02	SOLENOID VALVE 3 WAY 90° 220/240V	ELETTROVALVOLA 3 VIE A 90° 220/240V
17	B.2.004.P	SOLENOID VALVE PLUNGER (RUBY)	NUCLEO PER Elett. VALVOLA RUBINO
Item	Part number/Codice	Description	Descrizione



la marzocco
handmade in florence

COFFEE BOILER ASSEMBLY





la marzocco

handmade in florence

COFFEE BOILER ASSEMBLY

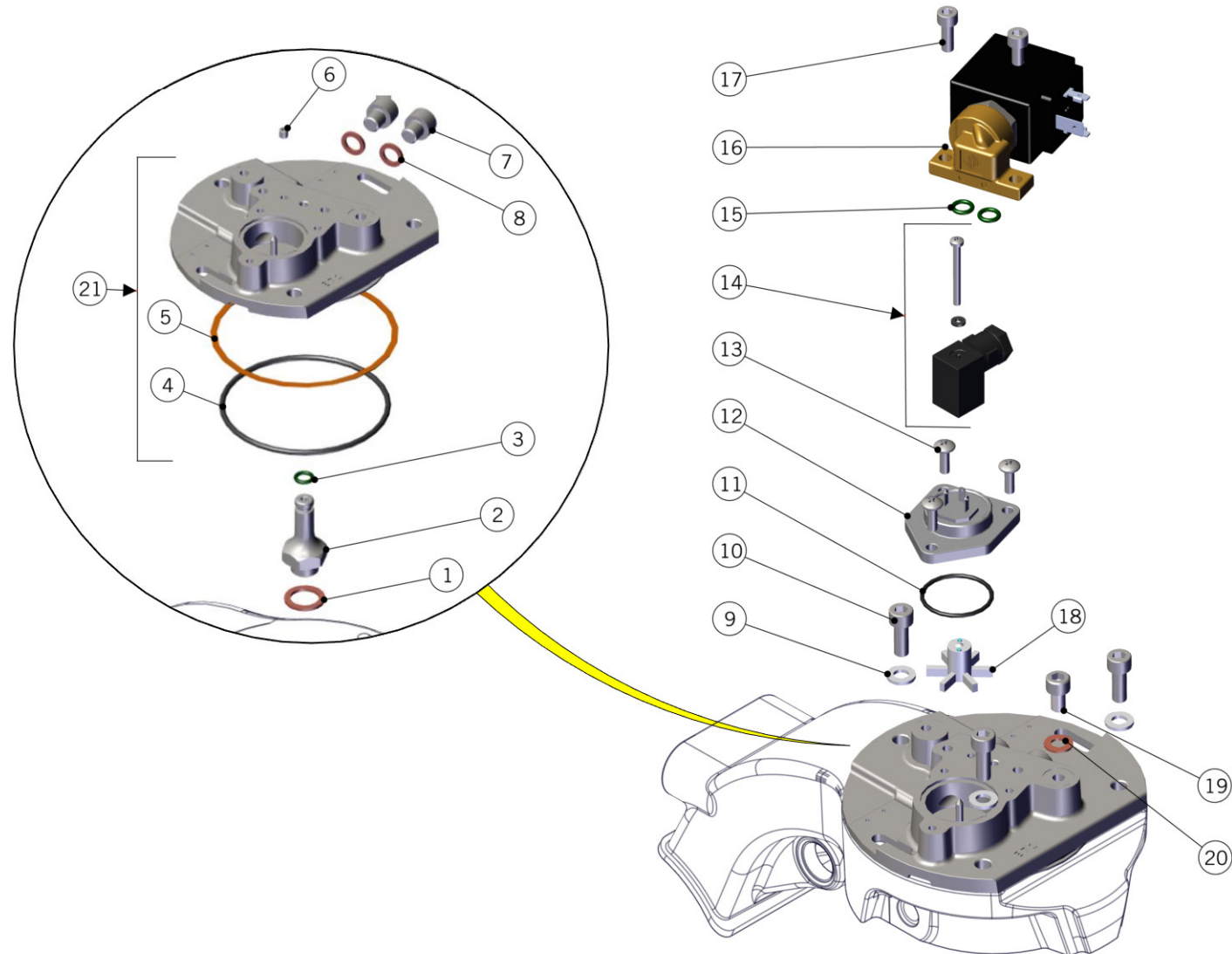
Caldaia Caffè

1	L.1.012.R	STRAIGHT-IN COFFEE BOILER	CALDAIA CAFFE' STRAIGHT-IN
2	F.7.015	INSULATION PANEL COFFEE BOILER LEVA 1GR	ISOLANTE CALDAIA CAFFE' LEVA 1GR
3	A.5.016.01	PLASTIC FASTENER 750X7.5	FASCETTA NERA 750x7.5 NYLON
4	L100/1A	WASHER 13,5X19X1,5 COPPER	RONDELLA 13,5X19X1,5 RAME
5	A.5.022	CAP G1/4 H15,5 WR19 S/S	TAPPO G1/4 H15,5 CH19 INOX
6	ROND_DENT_8	TOOTH LOCK WASHER 8X14,7X2 S/S A2	ROND.DENTATA 8,5X14,7X2 INOX A2
7	I.1.025	NUT M8 H5 WR13 BRASS	DADO BASSO M8 H5 CH13 (UNI5589) OTTONE
8	E.1.005	TEMPERATURE PROBE PT1000 100MM	SONDA TEMPERATURA PT1000 100MM
9	L276/B	SAFETY THERMOSTAT 2P 130C 250V	TERMOSTATO BIPOL. 130C 250V
10	DADO3M	NUT M3 H3 WR5,5 BRASS	DADO M3 H3 CH5,5 OTTONE
11	A.2.012.01	TEE FITTING G1/8M-G1/8F WR10 BRASS TR.	RACCORDO A T G1/8M-G1/8F-G1/8F CH10 TR.
12	B.2.016.01	BALL VALVE G1/8F-R1/8M BRASS TREATED	RUBINETTO A SFERA G1/8F-R1/8M OTTONE TR.
13	L171/2	O-RING 1,78X6,75 FKM 70 SH	O-RING 1,78X6,75 FKM 70 SH
14	A.1.021	CAP G1/8 H19 D14 BRASS	TAPPO G1/8 H19 D14 OTTONE
Item	Part number/Codice	Description	Descrizione



la marzocco
handmade in florence

COFFEE GROUP ASSEMBLY- GROUP CAP





la marzocco

handmade in florence

COFFEE GROUP ASSEMBLY- GROUP CAP

Caldaia Caffè

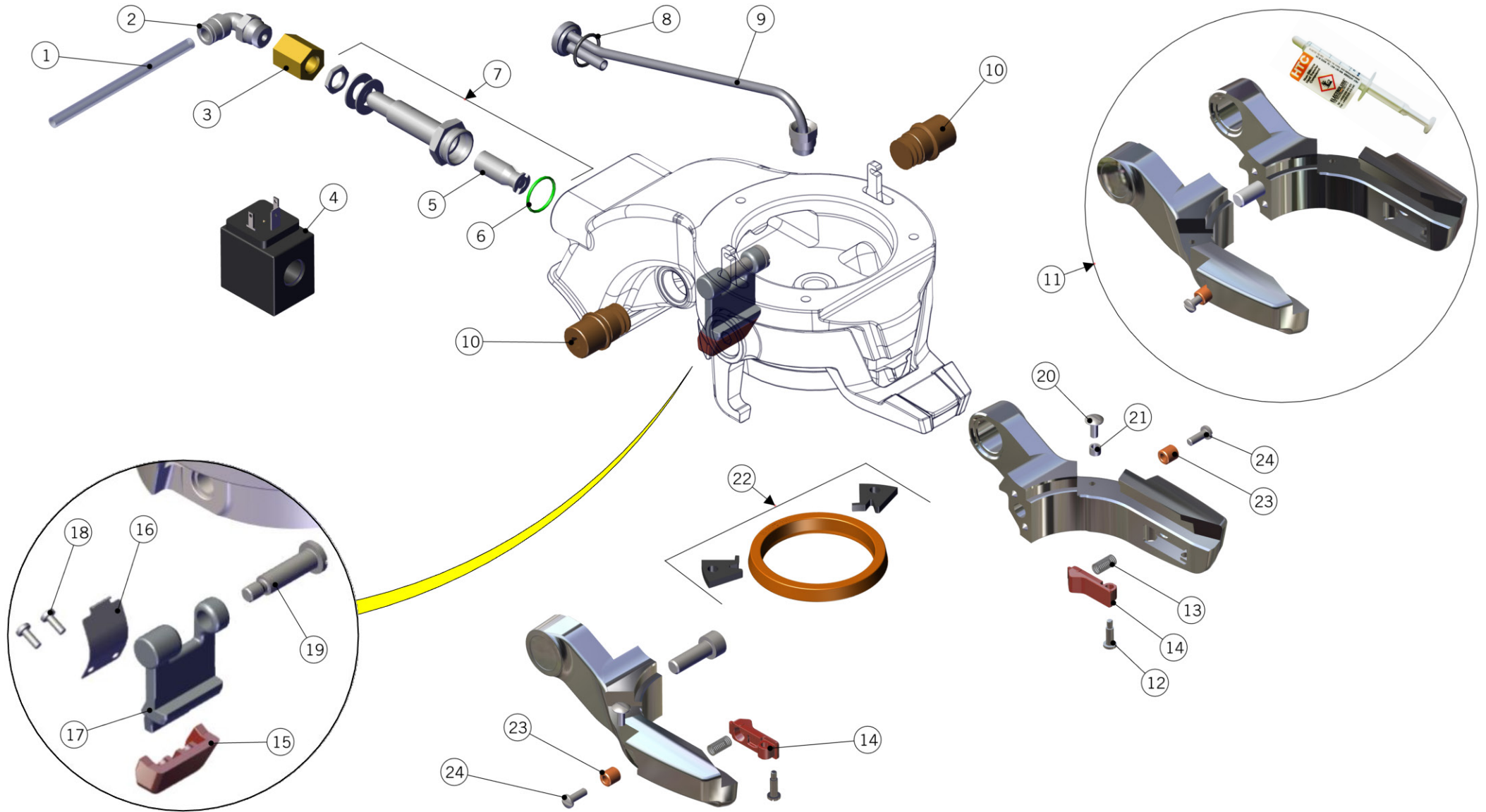
1	L100/1A	WASHER 13,5X19X1,5 COPPER	RONDELLA 13,5X19X1,5 RAME
2	A.2.009.01	S/S GROUP ADAPTER	CANOTTO EROGAZIONE INOX
3	H.1.006	O-RING 1,78x6,07 VITON	O-RING 1,78x6,07 VITON
4	L103/A	O-RING 2,62X75,87 VITON 70 ShA FDA	O-RING 2,62X75,87 VITON 70 ShA FDA
5	L103/B	FIBER GASKET 87X81X0,5	GUARNIZ. PIANA 87X81X0.5 NOVUS
6	F.3.032.01	GICLEUR 0,6 M4 CH2 RUBY + S/S	GICLEUR 0,6 M4 CH2 RUBINO + INOX
	F.3.033.01	GICLEUR 0,7 M4 CH2 RUBY + S/S	GICLEUR 0,7 M4 CH2 RUBINO + INOX
	F.3.034.01	GICLEUR 0,8 M4 CH2 RUBY + S/S	GICLEUR 0,8 M4 CH2 RUBINO + INOX
7	I.1.019.01	SCREW M8X8 SOCKET CAP S/S A2	VITE M8X8 TC A BRUGOLA INOX A2
8	I.4.002	WASHER 8,3X12X1,5 COPPER	RONDELLA 8,3X12X1,5 RAME
9	RONDELLA6X12	WASHER 6,4X12X1,5 S/S A2	RONDELLA 6,4X12X1,5 INOX A2
10	I.1.124	SCREW M6X16 SOCKET CAP S/S A2	VITE M6X16 TC A BRUGOLA INOX A2
11	LAD070/S1	FLOW METER O-RING	GUARN.OR 8-2112 V.X CONT.VOL.
12	LAD070/GC.R	KIT FLOWMETER HEAD	KIT TESTA CONT. VOLUM. FLUSS.
13	CL22/V	SCREW M4X12 PHILLIPS BUTTON HEAD S/S A2	VITE M4X12 TPB A CROCE INOX A2
14	LAD070/CGC	CONNECTORS FLOWMETER KIT	CONNETTORE CONT VOL. KIT FLUSSOMETRO
15	H.1.006	O-RING 1,78x6,07 VITON	O-RING 1,78x6,07 VITON
16	B.2.004.02	SOLENOID VALVE 3 WAY 90° 220/240V	ELETTRIVALVOLA 3 VIE A 90° 220/240V
17	I.1.005	SCREW M5X10 SOCKET CAP S/S A2	VITE M5X10 TC A BRUGOLA INOX A2
18	LAD070/V	FLOW METER IMPELLER	GIRANTE X CONTATORE VOLUMET.
19	L120/2	SCREW M6X10 SOCKET CAP S/S A2	VITE M6X10 TC A BRUGOLA INOX A2
20	L120/2A	WASHER 6,3X12X1 COPPER	RONDELLA 6,3X12X1 RAME
21	SA297	GROUP CAP ASSEMBLY KB90	COPERCHIO GRUPPI KB90
Item	Part number/Codice	Description	Descrizione



la marzocco

handmade in florence

COFFEE GROUP ASSEMBLY- STRAIGHT IN





la marzocco

handmade in florence

COFFEE GROUP ASSEMBLY- STRAIGHT IN

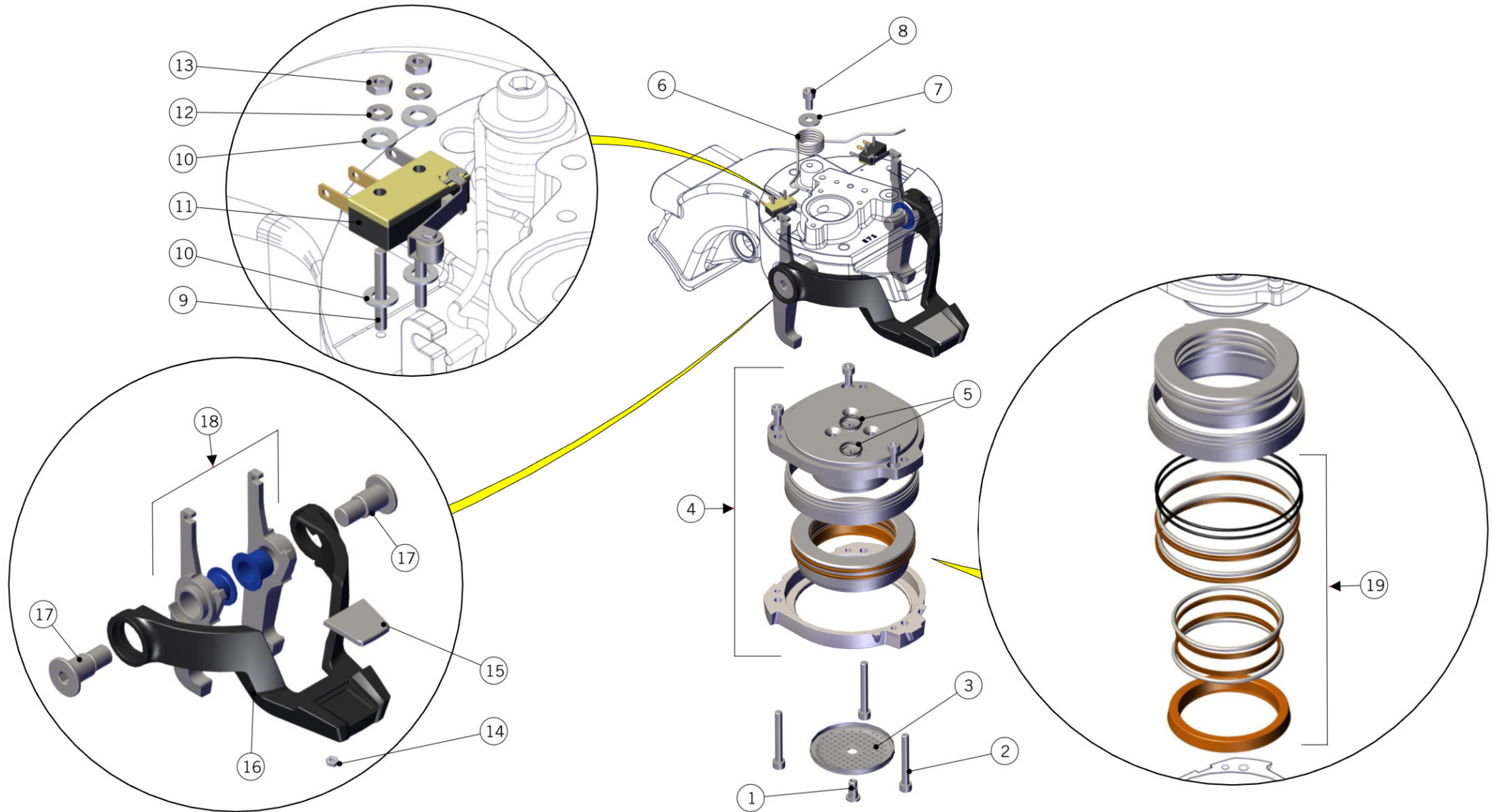
Straight in

1	T.3.006	PTFE TUBE 6x4mm	TUBETTO PTFE 6*4mm
2	A.2.103	FITTING PUSH-IN 90° 6-R1/4M BRASS TR.	RACCORDO RAPIDO 90° 6-R1/4M OTTONE TR.
3	A.1.019	FITTING G1/4F-G1/8F WR17 BRASS	RACCORDO G1/4F-G1/8F CH17 OTTONE
4	L100/G.01	SV COIL 220-240V 8W UL CSA VDE	BOBINA EV 220-240V 8W UL CSA VDE
	L100/G200	SOLENOID COIL 200V	BOBINA PER ELETTROVALVOLA 200V
5	L100/H	3-WAY SOLENOID VALVE VITON PLUNGER	NUCLEO MOBILE X EV.3 VIE VITON
6	H.1.022	O-RING 1,78X15,60 VITON 70 SH	O-RING 1,78X15,60 VITON 70 SH
7	B.2.006.02	SOLENOID VALVE 3 WAY NO COIL	ELETTROVALVOLA 3 VIE SENZA BOBINA
8	H.1.009	O-RING 1,78X15,60 VITON 75 SH	O-RING 1,78X15,60 VITON 75 SH
9	T.1.094	TUBE PISTON STRAIGHT-IN	TUBO PISTONE STRAIGHT-IN
10	A.1.028	AXLE ROTATION HOLDER PORTAFILTER	ASSE ROTAZIONE SUPPORTO PORTAFILTRO
11	1203	KIT FOR HOLDER PORTAFILTER STRAIGHT-IN	KIT SUPPORTO PORTAFILTRO STRAIGHT-IN
12	I.1.127	SCREW SHOULDER M3x10 - DIN 923	VITE A COLLETTO M3x10 - DIN 923
13	F.3.102	SPRING LEVER CLICKER	MOLLA LEVETTA DI SCATTO
14	F.1.104.01	LEVER CLICKER HOLDER PORTAFILTER RAL3001	LEVETTA DI SCATTO SUPPORTO PF RAL3001
15	F.1.103.01	KNOB CLEANING RELEASE RAL3001	LEVETTA DI RILASCIO PER PULIZIA RAL3001
16	F.3.101	SPRING RELOCATION LEVER	MOLLA DI RIPOSIZIONAMENTO LEVETTA
17	F.8.011.01	LEVER CLEANING RELEASE	LEVA DI RILASCIO PULIZIA
18	VITE3X8	SCREW M3X8 PHILLIPS ROUND-PAN S/S A2	VITE M3X8 TCB A CROCE INOX A2
19	I.1.126	SCREW SHOULDER M6x25 - DIN 923	VITE A COLLETTO M6x25 - DIN 923
20	I.1.099	SCREW M4X10 MUSHROOM SLOTTED HEAD S/S	VITE M4X10 TPB A TAGLIO INOX
21	F.3.109	SPACER FOR ANTI-SHOCK GROMMER	DISTANZIALE PER GOMMINO ANTIURTO
22	1207	GROUP GASKET & ANTI-SHOCK STRAIGHT-IN	GUARNIZ. SOTTOC. E ANTIURTO STRAIGHT-IN
23	F.8.016	BUSH 8X8X4,2 BRONZE	BOCCOLA 8X8X4,2 BRONZO
24	I.1.154	SCREW M4X12 BUSH LOCKING	VITE M4X12 SERRAGGIO BOCCOLA
Item	Part number/Codice	Description	Descrizione



la marzocco
handmade in florence

COFFEE GROUP ASSEMBLY- STRAIGHT IN





la marzocco

handmade in florence

COFFEE GROUP ASSEMBLY- STRAIGHT IN

Straight in

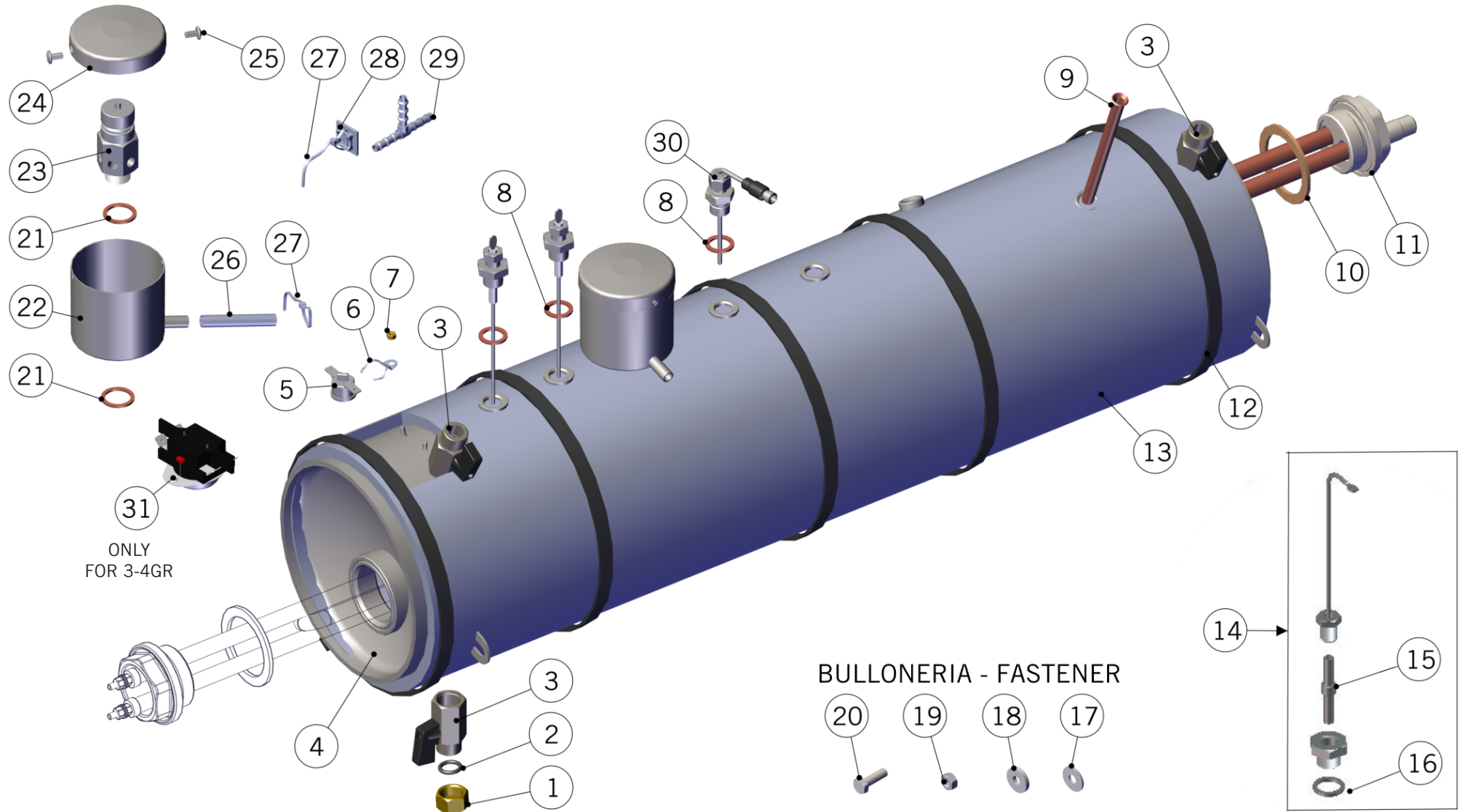
1	A.5.110	DIFFUSER SCREW M6 Ø10 S/S	VITE DIFFUSORE M6 Ø10 INOX
2	I.1.007	SCREW M5X40 SOCKET CAP S/S A2	VITE M5X40 TC A BRUGOLA INOX A2
3	A.5.095	COFFEE SHOWER SCREEN W/LOGO H3.8	DOCCETTA RINFORZATA C/LOGO H3.8
4	SA292	PISTON ASSEMBLY KB90	ASSIEME PISTONE KB90
5	H.1.028	O-RING 1,78X12,42 EPDM 70 SH	O-RING 1,78X12,42 EPDM 70 SH
6	F.3.105.01	SPRING TORSIONAL FOR ARMS	MOLLA TORSIONALE PER BRACCETTI
7	L165/9	WASHER 6,5X18X1,5 GALVANIZED	RONDELLA 6,5X18X1,5 ZINCATA
8	I.1.005	SCREW M5X10 SOCKET CAP S/S A2	VITE M5X10 TC A BRUGOLA INOX A2
9	F.3.114	PIN FOR MICROSWITCH STRAIGHT-IN	PERNO PER MICROSWITCH STRAIGHT-IN
10	RONDINOXGS/3	WASHER 3X6X0,5 S/S A2	RONDELLA 3X6X0,5 INOX A2
11	E.2.070	MICROSWITCH STRAIGHT-IN 150°C	MICROINTERRUTTORE STRAIGHT-IN 150°C
12	I.1.137	SPLIT WASHER M2 S/S A2	ROND.SPACCATA M2 INOX A2
13	I.1.111	NUT M2 H1,6 WR4 S/S	DADO M2 H1,6 CH4 INOX
14	DADOINOXM3	NUT M3 H2 WR5,5 S/S A2	DADO M3 H2 CH5,5 INOX A2
15	F.3.107.01	COVER BRACKET STRAIGHT-IN LINEA	COVER LEVA STRAIGHT-IN LINEA
16	F.1.112.01	BRACKET LOCK LINEA STRAIGHT-IN	LEVETTA DI BLOCCO LINEA STRAIGHT-IN
17	F.3.100	SCREW PIN M10x13 H28,5 S/S	VITE PERNO M10x13 H28,5 INOX
18	1204	KIT FOR ARM CLICKER STRAIGHT-IN	KIT BRACCETTO STRAIGHT-IN
19	1205	REBUILD KIT FOR STRAIGHT-IN SEALING	KIT MANUTENZIONE GUARN.GRUPPO STRAGHT-IN
Item	Part number/Codice	Description	Descrizione



la marzocco

handmade in florence

STEAM BOILER





la marzocco

handmade in florence

STEAM BOILER

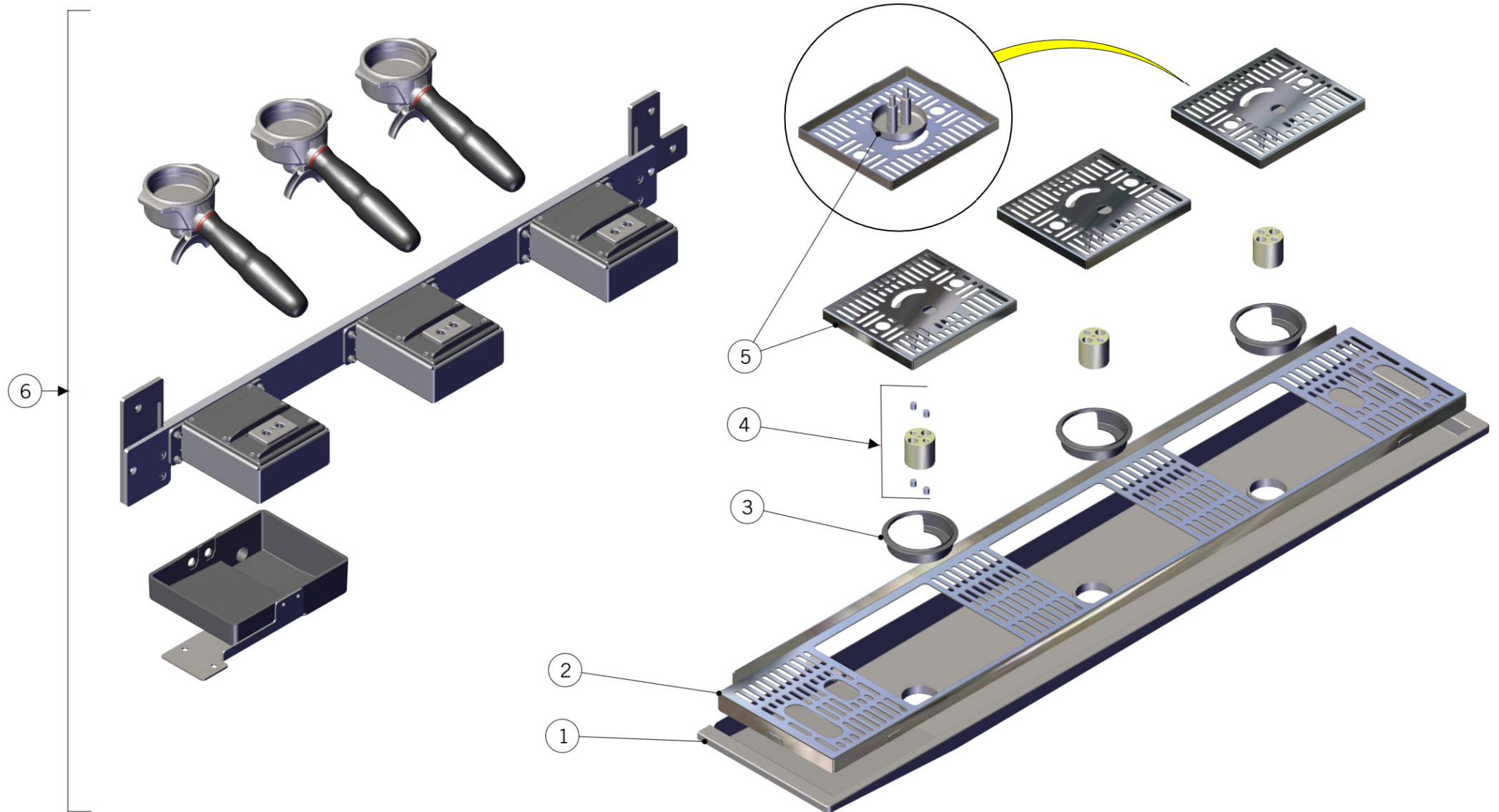
Caldaia Vapore

1	L030	CAP NUT G3/8 H11 WR19 BRASS	DADO CIECO CILINDRICO G3/8 H11 WR19 OTT.
2	H.1.004	O-RING 2,62x10,77 EPDM 85 SH	O-RING 2,62x10,77 EPDM 85 SH
3	L164.02	BALL VALVE G3/8M-G3/8F BRASS TREATED	RUBINETTO A SFERA G3/8M-G3/8F OTTONE TR.
4	L154/2VGB5.R	STEAM BOILER CONCAVE SIDE 2GR W/PREH.	CALDAIA VAPORE FOND.CURVI C/PRERISC. 2GR
	L154/3VGB5.R	STEAM BOILER CONCAVE SIDE 3GR W/PREH.	CALDAIA VAPORE FOND.CURVI C/PRERISC. 3GR
5	L276.01	KLIXON TRIP FREE 130° THERMOSTAT	TERMOSTATO KLIXON TRIP FREE TEMP 130°
6	L276.01S	L276.01 BRACKET	STAFFA SINGOLA A CLIP X L276.01
7	DADO3M	NUT M3 H3 WR6 BRASS	DADO M3 H3 CH6 OTTONE
8	L100/1A	WASHER 13,5X19X1,5 COPPER	RONDELLA 13,5X19X1,5 RAME
9	TL07/G.01	HOT WATER SUCTION PIPE TREATED	TUBO PESCAGGIO ACQUA C.VAPORE TRATTATO
10	LR360	1-1/4 HEATER ELEMENT GASKET	GUARNIZIONE PIANA DM.55X42X2
11	T.1.015.02	PREHEATER 2GR L384 MM WITH Y JOINT	PRERISCALDATORE 2GR L 384 mm CON Y
	T.1.019.02	PREHEATER 3-4GR L584 MM WITH Y JOINT	PRERISCALDATORE 3-4GR L 584 MM CON Y
12	A.5.016.01	PLASTIC FASTENER 750X7.5	FASCETTA NERA 750x7.5 NYLON
13	F.7.012	INSULATION PANEL 2GR LINEA PB STEAM B.	ISOLANTE C. VAPORE LINEA PB 2GR
	F.7.010	INSULATION PANEL 3GR GB5 STEAM B.	ISOLANTE C. VAPORE GB5 3GR
14	LA052	WATER LEVEL PROBE	SONDA LIVELLO TL10/B 140MM.
15	LA052/1	TEFLON INSULATOR PROBE	ISOLATORE IN TEFLON X SONDA
16	LA052/A	AUTOFILL PROBE GASKET	GUARNIZIONE SONDA LIVELLO
17	L165/9	WASHER 6,5X18X1,5 GALVANIZED	RONDELLA 6,5X18X1,5 ZINCATA
18	I.1.043	WASHER 6,5x18x3	RONDELLA 6.5x18x3 zing M_RO
19	I.1.049	NUT M6 H5 WR10 S/S A2	DADO M6 H5 CH10 INOX A2
20	I.1.058	SCREW M6X20 HEX HEAD S/S	VITE M6X20 TE INOX
21	L180/1	WASHER 22X17X1,5 COPPER	RONDELLA 17X22X1,5 RAME
22	F.1.018.01	CUP SAFETY VALVE W/DRAIN TUBE	BICCHIERE VALVOLA SICUREZZA C/TUBO
23	B.2.024	SAFETY VALVE G3/8 1,8 BAR TEA	VALVOLA DI SICUREZZA G3/8 1,8 BAR TEA
24	F.1.019	SAFETY VALVE PROTECTION CUP COVER	COPERCHIO BICCHIERE VALV. SICUREZZA
25	I.1.006	SCREW M4X8 PHILLIPS BUTTON HEAD S/S A2	VITE M4X8 TPB A CROCE INOX A2
26	T.4.001	ANTISUCTION VALVE SILICONE TUBE	TUBO SILICONE 5X8 V. ANTIRISUCCHIO
27	L338/L100.01	PLASTIC FASTENER 100X2.5	FASCETTA FERMAFILO 98X2.5
28	5.V010	FASTENER ADHESIVE SUPPORT	INCOLLINO
29	A.7.001.01	T FITTING FOR SILICONE TUBE	PORTAGOMMA A T PER TUBO SILICONE
30	E.1.005	TEMPERATURE PROBE PT1000 100MM	SONDA TEMPERATURA PT1000 100MM
31	E.5.005	SAFETY THERMOSTAT 2P TRIP FREE 130C 600V	TERMOSTATO BIPOL. TRIP FREE 130C 600V
Item	Part number/Codice	Description	Descrizione



la marzocco
handmade in florence

SCALES ASSEMBLY - SCALES VERSION





la marzocco

handmade in florence

SCALES ASSEMBLY - SCALES VERSION

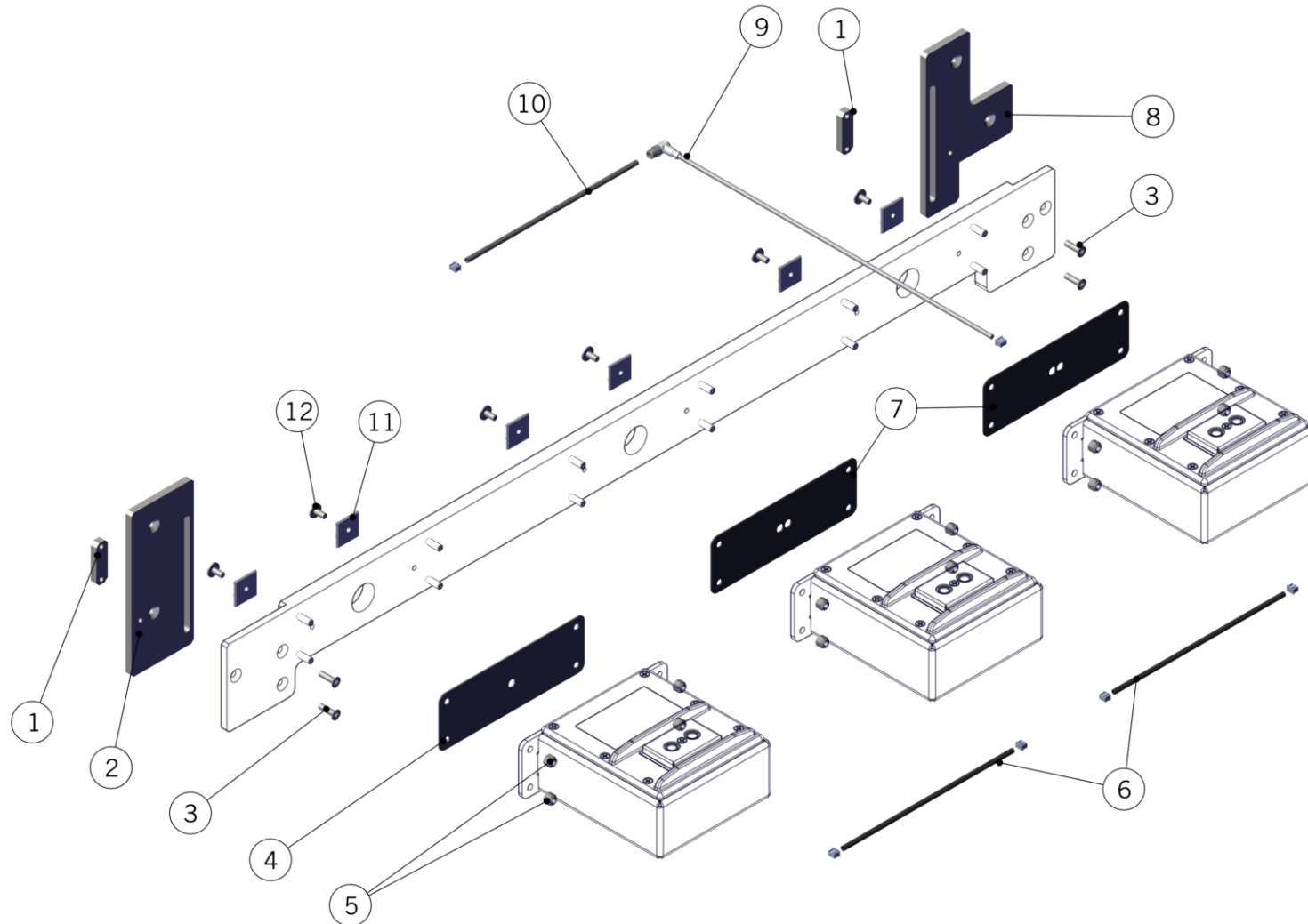
Balance	1	C.1.425.2	TRAY DRAIN KB90 2GR W/SCALES	BACINELLA DI SCARICO KB90 2GR C/BILANCE
		C.1.425.3	TRAY DRAIN KB90 3GR W/SCALES	BACINELLA DI SCARICO KB90 3GR C/BILANCE
		C.1.425.4	TRAY DRAIN KB90 4GR W/SCALES	BACINELLA DI SCARICO KB90 4GR C/BILANCE
	2	C.1.428.2	GRID DRAIN KB90 2GR W/SCALES	GRIGLIA SCARICO KB90 2GR C/BILANCE
		C.1.428.3	GRID DRAIN KB90 3GR W/SCALES	GRIGLIA SCARICO KB90 3GR C/BILANCE
		C.1.428.4	GRID DRAIN KB90 4GR W/SCALES	GRIGLIA SCARICO KB90 4GR C/BILANCE
	3	F.1.089	PROTECT.WATER TRAY DRAIN STRADA W/SCALES	PROTEZ. ACQUA BACINELLA STRADA C/BILANCE
	4	F.1.084.R	ASSEMBLED SUPPORT WITH MAGNETS	SUPPORTO ASSEMBLATO CON MAGNETI
	5	C.1.278.R	GRID SCALE COMPLETE	GRIGLIA BILANCIA COMPLETA
	6	952-2	RETROFIT KIT SCALES KB 2GR	KIT RETROFIT BILANCE KB 2GR
952-3		RETROFIT KIT SCALES KB 3GR	KIT RETROFIT BILANCE KB 3GR	
Item	Part number/Codice	Description		Descrizione



la marzocco

handmade in florence

SCALES ASSEMBLY - SCALES VERSION





la marzocco

handmade in florence

SCALES ASSEMBLY - SCALES VERSION

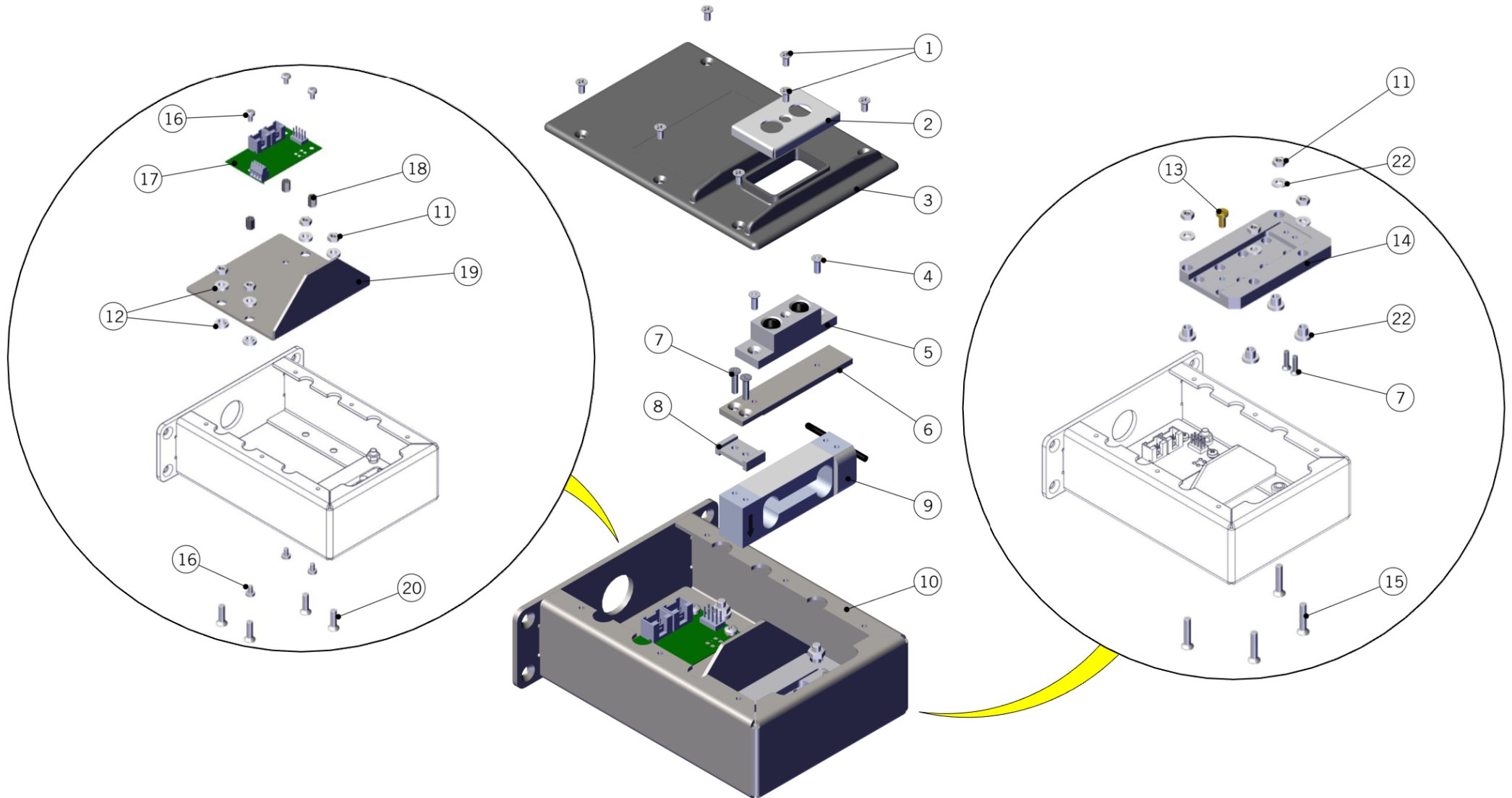
Balance	1	F.3.058	PLATE SCROLLING BEAM SCALES	PIASTRINA SCORRIMENTO TRAVERSA BILANCE
	2	C.1.435.SX	BRACKET LEFT SCALES KB90	STAFFA SINISTRA BILANCE KB90
	3	I.1.093	SCREW M4X14 PHILLIPS COUNTERSUNK S/S A2	VITE M4X14 TS A CROCE INOX A2
	4	F.2.038	SCALE GASKET 1	GUARNIZIONE BILANCIA 1
	5	DADO4AUTOBL	SELF LOCK NUT M4 H5,5 WR7 GALVANIZED	DADO AUTOBL. M4 H5,5 CH7 ZINCATO
	6	E.4.124	CABLE LOW TENSION C.A.	CAVO BASSA TENSIONE C.A.
	7	F.2.039	SCALE GASKET 2	GUARNIZIONE BILANCIA 2
	8	C.1.435.DX	BRACKET RIGHT SCALES KB90	STAFFA DESTRA BILANCE KB90
	9	E.4.125	CABLE LOW TENSION C.A. W/CONN. IP67 MALE	CAVO BASSA T. C.A. C/CONN. IP67 MASCHIO
	10	E.4.123	CABLE LOW T. C.A. W/CONN. IP67 FEMALE	CAVO BASSA T. C.A. C/CONN. IP67 FEMMINA
	11	5.V010	FASTENER ADHESIVE SUPPORT	INCOLLINO
	12	I.1.099	SCREW M4X10 MUSHROOM SLOTTED HEAD S/S	VITE M4X10 TPB A TAGLIO INOX
	Item	Part number/Codice		Description



la marzocco

handmade in florence

SCALES ASSEMBLY - SCALES VERSION





la marzocco

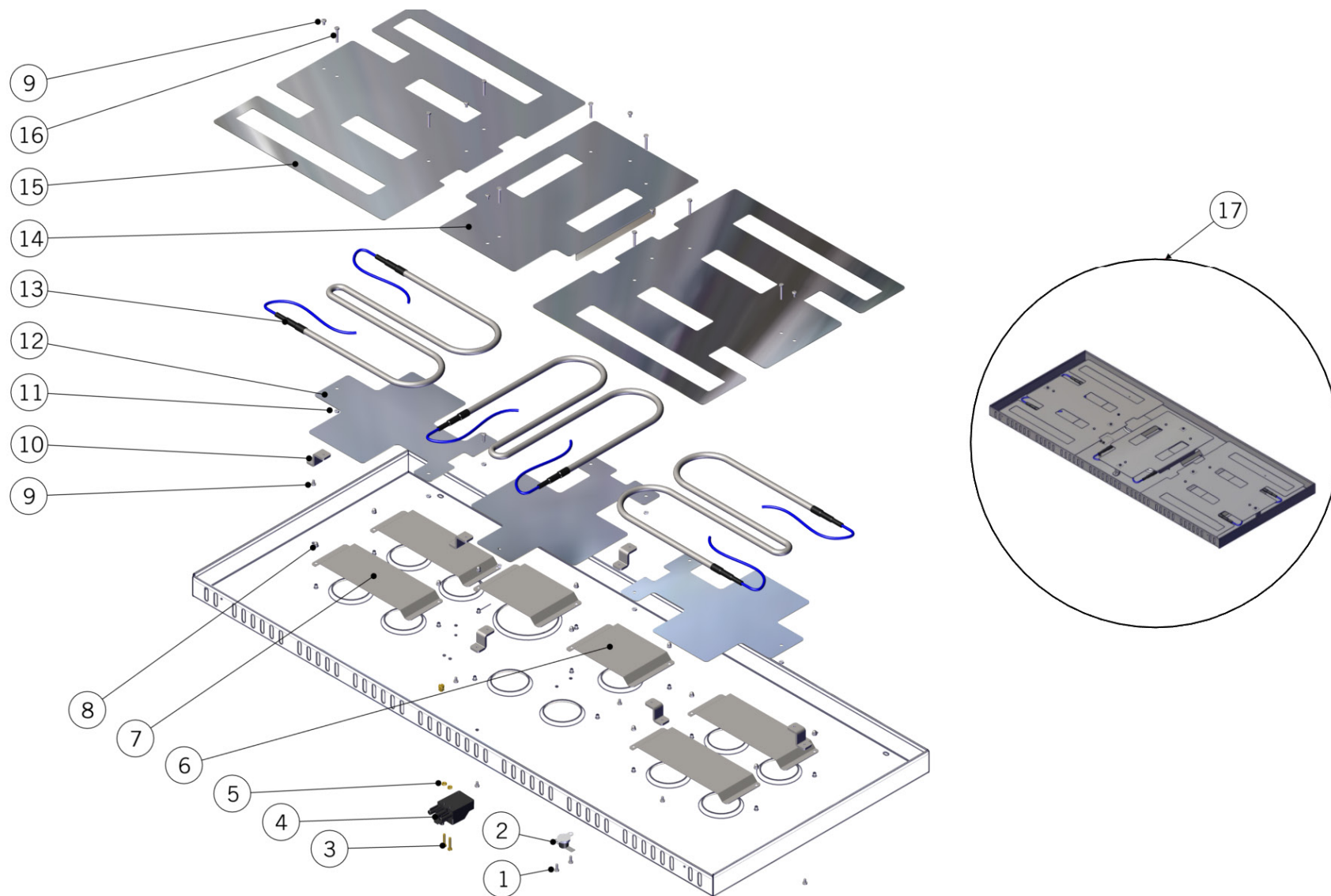
handmade in florence

SCALES ASSEMBLY - SCALES VERSION

Bilancia

1	I.1.060	SCREW M3X6 PHILLIPS COUNTERSUNK S/S A2	VITE M3X6 TS A CROCE INOX A2
2	F.3.057	PROTECTION LOAD CELL	PROTEZIONE CELLA DI CARICO
3	F.1.127	COVER SCALE KB90	COPERCHIO BILANCIA KB90
4	I.1.004	SCREW M3X8 SOCKET COUNTERSUNK S/S A2	VITE M3X8 TS A BRUGOLA INOX A2
5	F.6.006.R	LOAD CELL MOUNTING BRACKET W/ BUSHINGS	INNESTO GRIGLIA BILANCIA CON BOCCOLE
6	F.3.055	CANTILEVER FOR SOCKET	SUPPORTO INNESTO
7	I.1.045	SCREW M3X12 PHILLIPS COUNTERSUNK S/S A2	VITE M3X12 TS A CROCE INOX A2
8	I.8.001	SPACER SQUARE 20X12X5 ALUMINUM	DISTANZIALE QUADRO 20X12X5 ALLUMINIO
9	E.1.030.R	LOAD CELL KIT	KIT CELLA DI CARICO
10	C.1.434	SCALE BOX LINEA	SCATOLA BILANCIA LINEA
11	DADOINOXM4	NUT M4 H3 WR7 S/S A2	DADO M4 H3 CH7 INOX A2
12	RONDELLA4X9	WASHER 4X9X0,8 BRASS	RONDELLA 4X9X0,8 OTTONE
13	VITE4X8	SCREW M4X8 CHEESE BRASS	VITE M4X8 TC A TAGLIO OTTONE
14	F.6.005	LOAD CELL SUPPORT	SUPPORTO CELLA DI CARICO
15	I.1.076	SCREW M4X20 PHILLIPS COUNTERSUNK S/S A2	VITE M4X20 TS A CROCE INOX A2
16	I.1.054	SCREW M3X5 PHILLIPS ROUND PAN S/S A2	VITE M3X5 TCB A CROCE INOX A2
17	E.1.031.01	LOAD CELL ELECTRONIC BOARD	SCHEDA ELETTRONICA CELLE DI CARICO
18	I.6.012	STANDOFF HEX THREADED	DISTANZIALE ESAGONALE FILETTATO
19	F.3.108	BASE SCALE BOARD LINEA	BASE SCHEDA BILANCIA LINEA
20	I.1.093	SCREW M4X14 PHILLIPS COUNTERSUNK S/S A2	VITE M4X14 TS A CROCE INOX A2
21	I.6.013	WASHER M4 PLASTIC	RONDELLA M4 PLASTICA
22	F.1.117	INSERT WITH SHOULDER M4x7	BOCCOLA CON SPALLAMENTO M4x7
Item	Part number/Codice	Description	Descrizione

CUPWARMER HEATING ELEMENTS





la marzocco

handmade in florence

CUPWARMER HEATING ELEMENTS

Scaldatazze

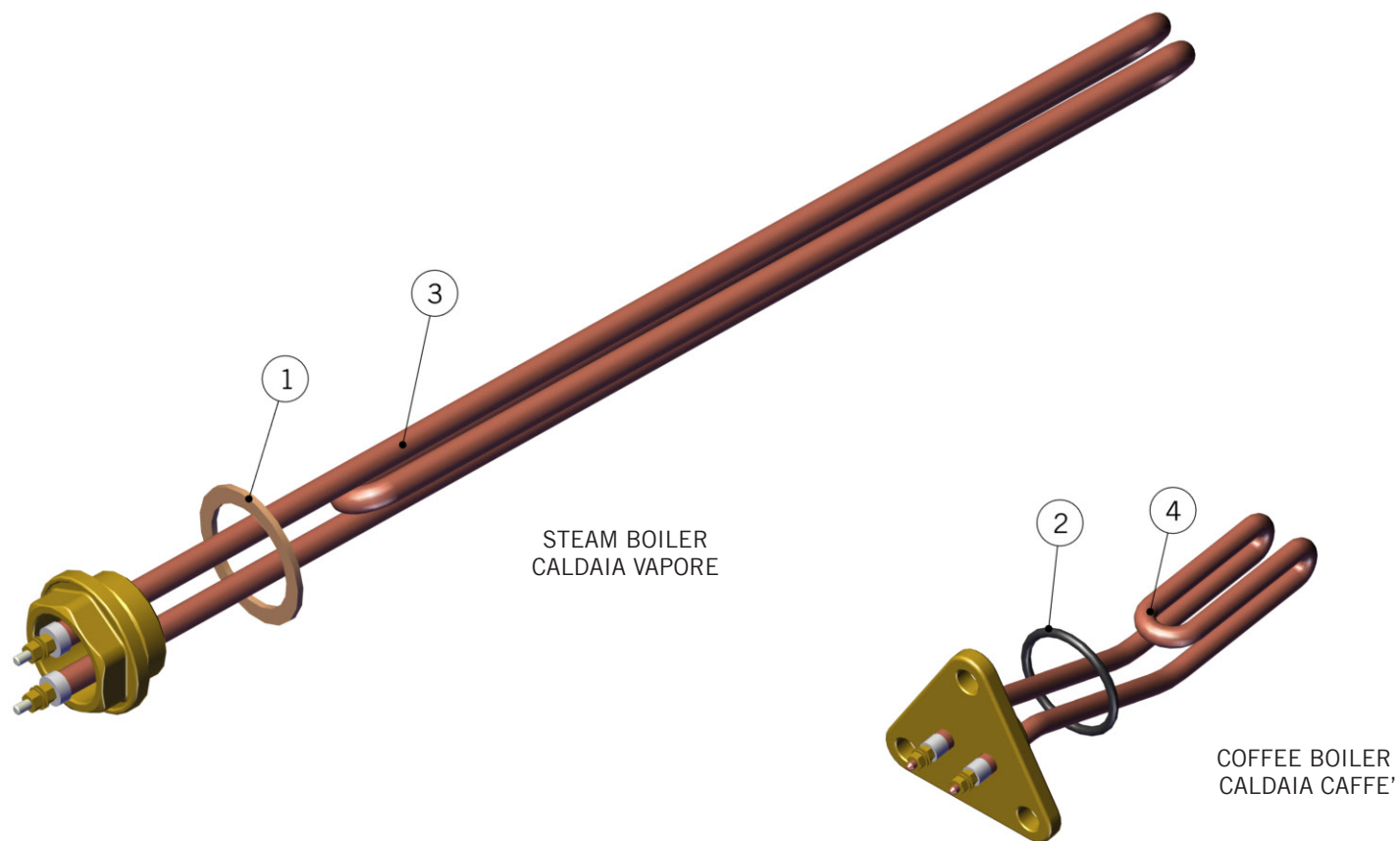
1	VITE3X8	SCREW M3X8 PHILLIPS ROUND-PAN S/S A2	VITE M3X8 TCB A CROCE INOX A2
2	L265	SAFETY THERMOSTAT 1P 90C 250V	TERMOSTATO UNIPOL. 90C 250V
3	VITE3X16	SCREW M3X16 CHEESE BRASS	VITE M3X16 TC A TAGLIO OTTONE
4	L265/M_UL	UL MALE CONNECTOR	CONNETTORE MASCHIO UL
5	DADO3M	NUT M3 H3 WR5,5 BRASS	DADO M3 H3 CH5,5 OTTONE
6	C.1.030.02	PROTECTION CUPWARMER HOLE 116MM	PROTEZIONE FORO SCALDATAZZE 116MM
7	C.1.100.01	PROTECTION CUPWARMER HOLE 170 MM	PROTEZIONE FORO SCALDATAZZE 170 MM
8	I.1.108	CAP NUT M3 H6,5 CH5,5 S/S	DADO C/CALOTTA M3 H6,5 CH5,5 INOX
9	I.1.054	SCREW M3X5 PHILLIPS ROUND PAN S/S A2	VITE M3X5 TCB A CROCE INOX A2
10	C.1.283	BRACKET HEAT-CONDUCTING PLATE CUPWARMER	STAFFA PIASTRA CONDUTTIVA SCALDATAZZE
11	DADOINOXM3	NUT M3 H2 WR5,5 S/S A2	DADO M3 H2 CH5,5 INOX A2
12	C.1.282	PLATE SLOT RESISTANCE	PIASTRA ALLOGGIO RESISTENZA
13	E.6.014	CUPWARMER HEATING ELEMENT 140W 220V	RES. SCALDATAZZE 140W 220V
14	C.1.286	PLATE CONDUCTIVE CUPWARMER 185MM	PIASTRA CONDUTTIVA SCALDATAZZE 185MM
15	C.1.285	PLATE CONDUCTIVE CUPWARMER	PIASTRA CONDUTTIVA SCALDATAZZE
16	I.1.055	SCREW M3X20 HEX HEAD S/S A2	VITE M3X20 TE INOX A2
17	SA170/2	CUPWARMER MULTI PLATES PB/KB 2GR	SCALDATAZZE MULTI PIASTRE PB/KB 2GR
	SA170/3	CUPWARMER MULTI PLATES PB/KB 3GR	SCALDATAZZE MULTI PIASTRE PB/KB 3GR
Item	Part number/Codice	Description	Descrizione



la marzocco

handmade in florence

HEATING ELEMENTS





la marzocco

handmade in florence

HEATING ELEMENTS

Resistenze Elettriche

2 GROUPS / 2 GRUPPI	1	LR360	1-1/4 HEATER ELEMENT GASKET	GUARNIZIONE PIANA DM.55X42X2	
	2	F.2.014.01	O-RING 3,53X37,69 FKM 70 SH GREEN	O-RING 3,53X37,69 FKM 70 SH VERDE	
	3			STEAM BOILER HEATING ELEMENTS	RESISTENZE PER CALDAIA VAPORE
			LR342/220B.03	HEATING ELEMENT W2000 V220 CM29 1-1/4 RP	RES. EL. W2000 V220 CM29 1-1/4 RP
			LR350/380B.03	HEATING ELEMENT W2000 V380 CM29 1-1/4 RP	RES. EL. W2000 V380 CM29 1-1/4 RP
			LR358/200B.03	HEATING ELEMENT W2000 V200 CM29 1-1/4 RP	RES. EL. W2000 V200 CM29 1-1/4 RP
			LR357/200B.03	HEATING ELEMENT W3000 V200 CM39 1-1/4 RP	RES. EL. W3000 V200 CM39 1-1/4 RP
			LR357/220B.03	HEATING ELEMENT W3000 V220 CM39 1-1/4 RP	RES. EL. W3000 V220 CM39 1-1/4 RP
			LR357/380B.03	HEATING ELEMENT W3000 V380 CM39 1-1/4 RP	RES. EL. W3000 V380 CM39 1-1/4 RP
		E.6.017	HEATING ELEMENT W3000 V240 CM39 1-1/4 RP	RES. EL. W3000 V240 CM39 1-1/4 RP	
	4			COFFEE BOILER HEATING ELEMENTS	RESISTENZE PER CALDAIA CAFFE'
			E.6.004.02	HEATING ELEMENT W800 V220 TRIANG.FL. RP	RES. EL. W800 V220 FL. TRIANG. RP
			E.6.006.02	HEATING ELEMENT W500 V200 TRIANG.FL. RP	RES. EL. W500 V200 FL. TRIANG. RP
	Item	Part number/Codice	Description	Descrizione	



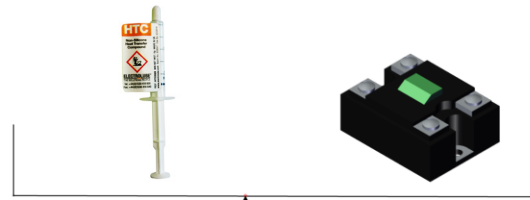
la marzocco

handmade in florence

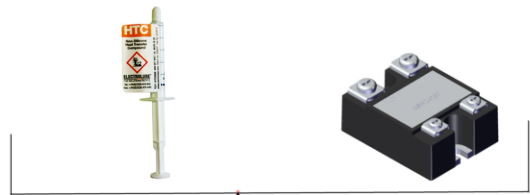
HEATING ELEMENTS

Resistenze Elettriche		1	LR360	1-1/4 HEATER ELEMENT GASKET	GUARNIZIONE PIANA DM.55X42X2	
		2	F.2.014.01	O-RING 3,53X37,69 FKM 70 SH GREEN	O-RING 3,53X37,69 FKM 70 SH VERDE	
3 GROUPS / 3 GRUPPI	3	STEAM BOILER HEATING ELEMENTS			RESISTENZE PER CALDAIA VAPORE	
		E.6.019	HEAT.ELEM W3000 V220 CM50 1-1/4 4POLE TR	RES. EL. W3000 V220 CM50 1-1/4 4 POLI TR		
		E.6.021	HEAT.ELEM W3000 V380 CM50 1-1/4 4POLE TR	RES. EL. W3000 V380 CM50 1-1/4 4 POLI TR		
		E.6.027	HEAT.ELEM W3000 V200 CM50 1-1/4 4POLE TR	RES. EL. W3000 V200 CM50 1-1/4 4 POLI TR		
		E.6.023	HEAT.ELEM W4000 V200 CM50 1-1/4 4POLE TR	RES. EL. W4000 V200 CM50 1-1/4 4 POLI TR		
		E.6.009.02	HEAT.ELEM W4000 V220 CM50 1-1/4 4POLE TR	RES. EL. W4000 V220 CM50 1-1/4 4 POLI TR		
		E.6.008.02	HEAT.ELEM W4000 V380 CM50 1-1/4 4POLE TR	RES. EL. W4000 V380 CM50 1-1/4 4 POLI TR		
	4	COFFEE BOILER HEATING ELEMENTS			RESISTENZE PER CALDAIA CAFFE'	
		E.6.004.02	HEATING ELEMENT W800 V220 TRIANG.FL. RP	RES. EL. W800 V220 FL. TRIANG. RP		
		E.6.006.02	HEATING ELEMENT W500 V200 TRIANG.FL. RP	RES. EL. W500 V200 FL. TRIANG. RP		
	4 GROUPS / 3 GRUPPI	3	STEAM BOILER HEATING ELEMENTS			RESISTENZE PER CALDAIA VAPORE
			E.6.039	HEAT.ELEM W4350 V220 CM50 1-1/4 4POLE TR	RES. EL. W4350 V220 CM50 1-1/4 4 POLI TR	
		E.6.030	HEAT.ELEM W5000 V380 CM65 1-1/4 4POLE TR	RES. EL. W5000 V380 CM65 1-1/4 4 POLI TR		
4		COFFEE BOILER HEATING ELEMENTS			RESISTENZE PER CALDAIA CAFFE'	
		E.6.004.02	HEATING ELEMENT W800 V220 TRIANG.FL. RP	RES. EL. W800 V220 FL. TRIANG. RP		
E.6.006.02	HEATING ELEMENT W500 V200 TRIANG.FL. RP	RES. EL. W500 V200 FL. TRIANG. RP				
Item	Part number/Codice	Description		Descrizione		

ELECTRICAL SYSTEM

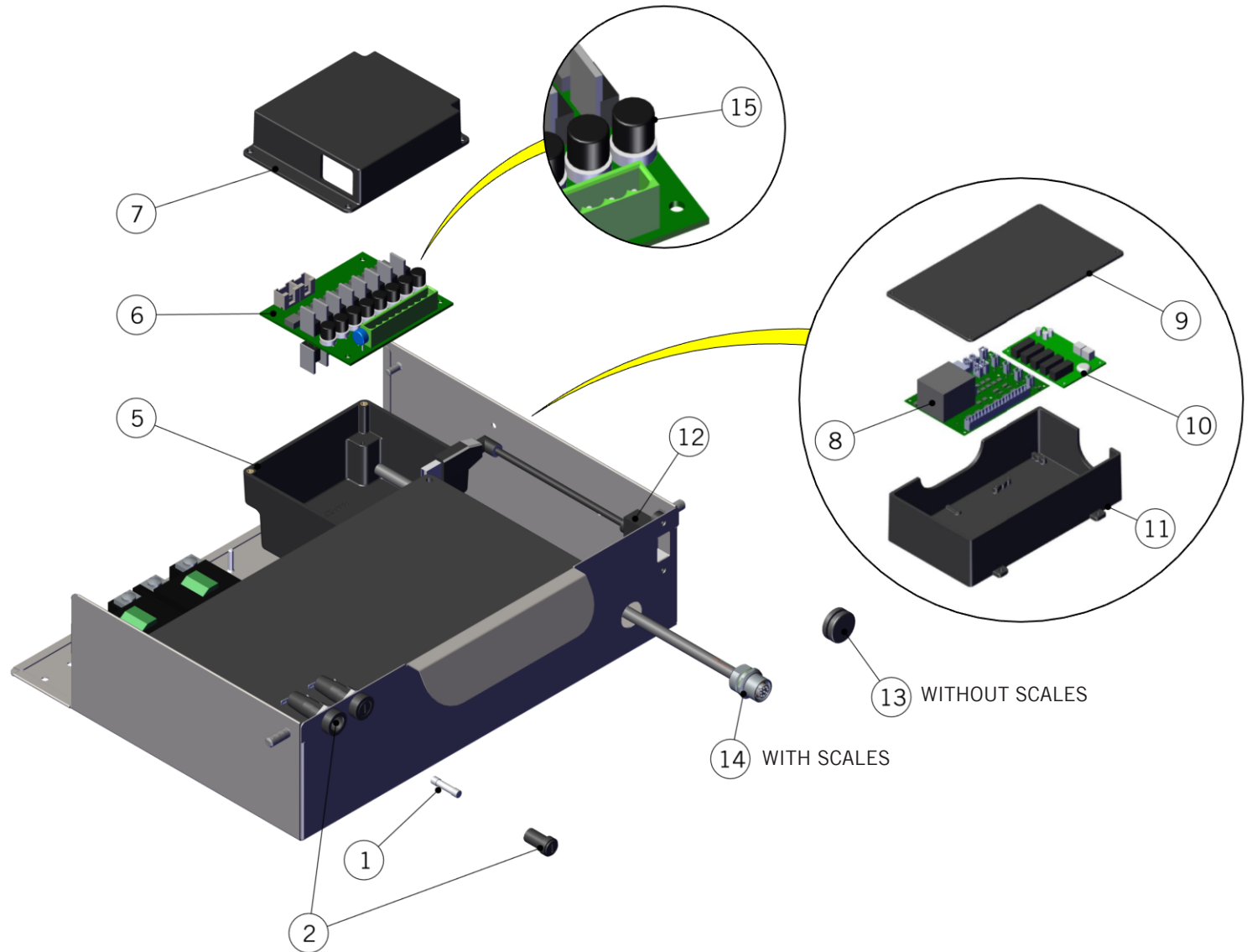


4 FOR 3-4GR



3 FOR 2GR

16
COMPLETE LOW VOLTAGE
WIRE HARNESS





la marzocco

handmade in florence

ELECTRICAL SYSTEM

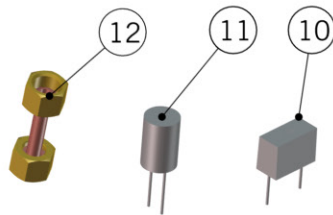
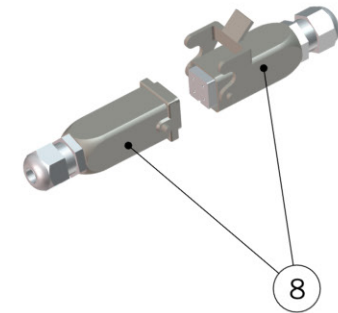
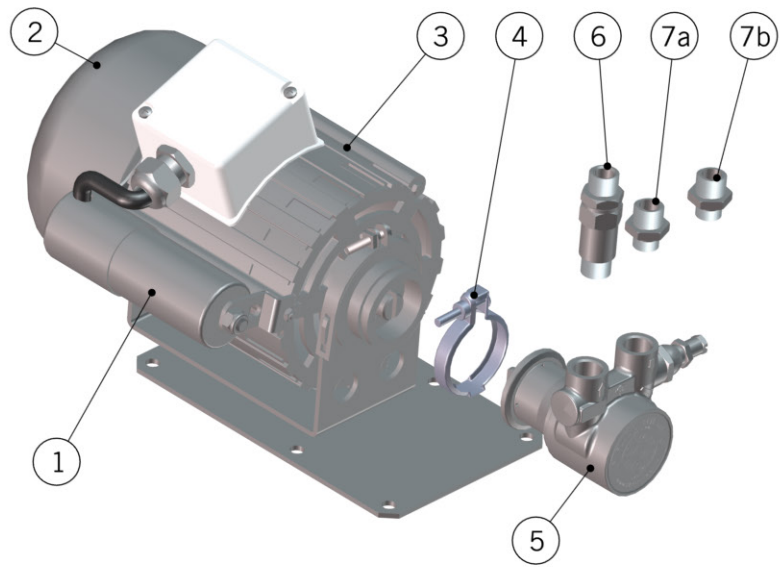
Sactola Elettronica

1	E.2.073	FUSE 3,15 A TIME-DELAY	FUSIBILE 3,15 A RITARDATO
2	E.2.004	UL FUSE HOLDER	PORTAFUSIBILE UL
3	E.4.010.01.R	SSR 25A 240V W/THERMAL COMPOUND	RELE' 25A 240V C/PASTA TERMICA
4	E.4.177.R	SSR DUAL 25A 240V W/THERMAL COMPOUND	RELE DUAL 25A 240V C/PASTA TERMICA
	E.4.197.R	SSR DUAL 50A 380V W/THERMAL COMPOUND	RELE DUAL 50A 380V C/PASTA TERMICA
5	F.1.133	BOX SOLENOID BOARD	SCATOLA SOLENOID BOARD
6	E.1.052	SOLENOID BOARD	SCHEDA FUSIBILI ELETTROVALVOLE
7	F.1.134	COVER BOX SOLENOID BOARD	COPERCHIO SCATOLA SOLENOID BOARD
8	E.1.023.03	UNIVERSAL BOARD	SCHEDA UNIVERSAL
9	F.1.044	LINEA PB ELECTRONIC BOARD BOX COVER	COPERCHIO SCATOLA SCHEDA ELETTRONICA LIN
10	E.1.025.02	LINEA PB BOARD	SCHEDA LINEA PB
11	F.1.043	LINEA PB ELECTRONIC BOARD BOX	SCATOLA SCHEDA ELETTRONICA LINEA PB
12	E.2.040	USB CABLE LINEA PB / STRADA EP	PROLUNGA USB PER LINEA PB / STRADA EP
13	F.2.040	GROMMET BLIND 11-16X1,5 TPE	PASSACAVO CIECO 11-16X1,5 TPE
14	E.4.123	CABLE LOW T. C.A. W/CONN. IP67 FEMALE	CAVO BASSA T. C.A. C/CONN. IP67 FEMMINA
15	E.2.071	FUSE 0.125A 250V	FUSIBILE 250V, 0.125 A
16	E.4.194	WIRING HARNESS KB90 2AV LOW VOLTAGE	CABLAGGIO KB90 2AV BASSA TENSIONE
	E.4.196	WIRING HARNESS KB90 3AV LOW VOLTAGE	CABLAGGIO KB90 3AV BASSA TENSIONE
Item	Part number/Codice	Description	Descrizione



la marzocco
handmade in florence

ELECTRICAL SYSTEM AND PUMP





la marzocco

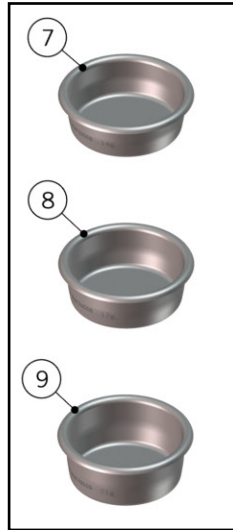
handmade in florence

ELECTRICAL SYSTEM AND PUMP

Impianto Elettrico e Pompa	1	L290/CUL	10microF CAPACITOR (L290/8UL MOTOR)	CONDENSATORE 10MF X MOTORE
	2	F.6.004	FAN COVER - PUMP MOTOR UL	COPRIVENTOLA ZINCATO X MOTORE L290/8UL
	3	L290/8UL	UL MOTOR V.220-240 50/60 HZ	MOTORE CARENATO CHIUSO
	4	L290/C	PUMP CLAMP	FASCETTA PER POMPA
	5	L290/1.01	PUMP 150 LT/H	CORPO POMPANTE 150 L/H
		L290/2.01	PUMP 200 LT/H	CORPO POMPANTE 200 L/H
	6	L032/P.01	CHECK VALVE G3/8M TREATED	VALVOLA DI RITEGNO G3/8M TRATTATA
	7a	L305/N.01	NIPPLE G3/8M-G3/8M WR20 H31 BRASS TR.	NIPPLO G3/8M-G3/8M CH20 H31 OTTONE TR.
	7b	L306/G.01	NIPPLE G3/8-3/8 COMPRESSION BRASS TR.	NIPPLO G3/8-3/8 COMPRESSION OTTONE TR.
	8	E.4.044	PUMP CABLE W/RAPID WATERPROOF CONNECTOR	CAVO POMPA C/CONNETTORE RAPIDO IP67
	9	E.2.040	USB CABLE LINEA PB / STRADA EP	PROLUNGA USB PER LINEA PB / STRADA EP
	10	L206	FILTER EMC	FILTRO EMC
	11	E.2.030	2x22nF+0,1microF FILTER	FILTRO 2x22nF+0.1microF
12	T.1.056	TUBE PUMP DOUBLE CHECK VALVE COREA	TUBO DOPPIA V.RITEGNO POMPA COREA	
Item	Part number/Codice		Description	Descrizione

PORTAFILTER ASSEMBLY

RIDGELESS FILTER BASKETS



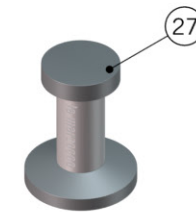
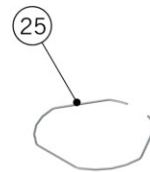
FILTER BASKETS SPECIFICALLY DESIGNED FOR FOR LA MARZOCCO SWIFT GRINDER



STANDARD VERSION FILTER BASKETS



X FILTER BASKETS - TESTED & CERTIFIED





la marzocco

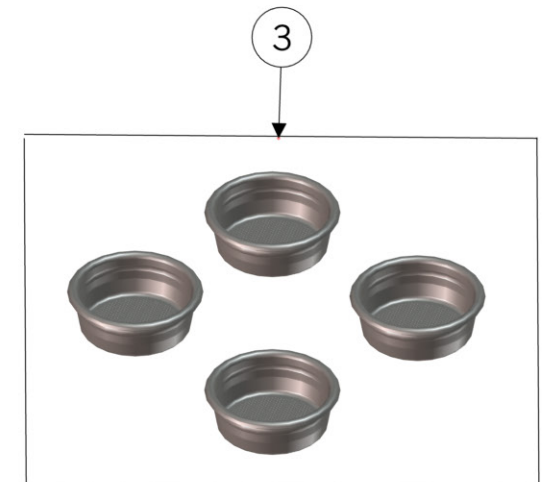
handmade in florence

PORTAFILTER ASSEMBLY

Portafiltri

1	A.5.114	PORTAFILTER STRAIGHT-IN DOUBLE SPOUT	PORTAFILTRO STRAIGHT-IN BECC.DOPPIO
2	A.5.113	PORTAFILTER STRAIGHT-IN SINGLE SPOUT	PORTAFILTRO STRAIGHT-IN BECC.SINGOLO
3	A.5.014.01	DOUBLE SPOUT S/S	BECCUCCIO DOPPIO INOX
4	A.5.013.01	SINGLE SPOUT S/S	BECCUCCIO SINGOLO INOX
5	H.1.017	O-RING 3,53X9,12 EPDM 70 SH	O-RING 3,53X9,12 EPDM 70 SH
	H.1.017.02	O-RING 3,37X9,12 EPDM	O-RING 3,37X9,21 EPDM
6	A.5.124	PORTAFILTER NAKED STRAIGHT-IN	PORTAFILTRO NUDO STRAIGH-IN
7	F.3.080	FILTER 14 GR RIDGELESS	FILTRO 14 GR SENZA BORDATURA
8	F.3.079	FILTER 17 GR RIDGELESS	FILTRO 17 GR SENZA BORDATURA
9	F.3.081	FILTER 21 GR RIDGELESS	FILTRO 21 GR SENZA BORDATURA
10	L115/A	FILTER 1 CUP	FILTRO A 1 TAZZA
11	L115/A/S	SINGLE FILTER	FILTRO A 1 TAZZA SINGOLO\DOPPIO
12	5.128	19mm SWIFT FILTER BASKET	FILTRO SWIFT 19mm
13	5.127	22mm SWIFT FILTER BASKET	FILTRO SWIFT 22mm
14	5.133	TRIPLE SWIFT FILTER BASKET	FILTRO SWIFT TRIPLO
15	F.3.029.GR	FILTER 7 GR STANDARD	FILTRO 7 GR STANDARD
16	F.3.053	FILTER 7 GR STANDARD ITALY	FILTRO 7 GR STANDARD ITALIA
17	F.3.028.01	FILTER 14 GR STANDARD	FILTRO 14 GR STANDARD
18	F.3.027.01	FILTER 17 GR STANDARD	FILTRO 17 GR STANDARD
19	F.3.026.01	FILTER 21 GR STANDARD	FILTRO 21 GR STANDARD
20	F.3.054.X	FILTER 7 GR X ITALIA	FILTRO 7 GR X ITALIA
21	F.3.029.X	FILTER 7 GR X	FILTRO 7 GR X
22	F.3.028.X	FILTER 14 GR X	FILTRO 14 GR X
23	F.3.027.X	FILTER 17 GR X	FILTRO 17 GR X
24	F.3.026.X	FILTER 21 GR X	FILTRO 21 GR X
25	L113	SPRING D WIRE1,1 S/S FILTER LOCK	MOLLA DFILO1,1 INOX FERMAFILTRO
26	L115/C	BLIND FILTER	FILTRO CIECO X LAVAGGIO
27	F.3.045	S/S-ALUMINUM SINGLE-DOUBLE TAMPER	PRESSINO INOX-ALLUMINIO SINGOLO-DOPPIO
28	F.3.031.01	ANODIZED DOUBLE TAMPER S/S US VERSION	PRESSINO DOPPIO VERSIONE US ANODIZZATO
Item	Part number/Codice	Description	Descrizione

SCALES VERSION - PORTAFILTER ASSEMBLY





la marzocco
handmade in florence

SCALES VERSION - PORTAFILTER ASSEMBLY

Portafiltri	Item	Part number/Codice	Description	Descrizione
	1	1200	2 PRECISION STRAIGHT-IN PORTAFILTER KIT	KIT 2 PORTAFILTRI STRAIGHT-IN PRECISIONE
	2	1201	3 PRECISION STRAIGHT-IN PORTAFILTER KIT	KIT 3 PORTAFILTRI STRAIGHT-IN PRECISIONE
	3	932	4x 17g S/S PRECISION FILTER BASKET KIT	KIT 4 FILTRI 17G PESATI



la marzocco

handmade in florence

HOSE AND ACCESSORIES

Tubi e Accessori

1	L305/050.01	BRAIDED HOSE CM.50 3/8 F	TUBO FLESSIBIL INOX 3/8F CM.50	
	L305/120.01	BRAIDED HOSE CM.120 3/8 F	TUBO FLESSIB INOX 3/8F CM.120	
	L305/210.01	BRAIDED HOSE CM.210 3/8F	TUBO FLESSIB INOX 3/8F CM.210	
	L306/050	BRAIDED HOSE 3/8 COMPR. WR17 50CM NSF	TUBO FLEX 3/8 COMPR. CH17 50CM NSF	
	L306/120	BRAIDED HOSE 3/8 COMPR. WR17 120CM NSF	TUBO FLEX 3/8 COMPR. CH17 120CM NSF	
	L306/210	BRAIDED HOSE G3/8F WR20 210CM NSF	TUBO FLEX G3/8F CH20 210CM NSF	
	L306/210/C	BRAIDED HOSE G3/8F WR20 210CM NSF CURVED	TUBO FLEX G3/8F CH20 210CM NSF C/CURV.	
	T.5.003	BRAIDED HOSE 3/8 COMPR. WR17 210CM NSF	TUBO FLEX 3/8 COMPR. CH17 210CM NSF	
	2	L308	CLEAR ARMOURED DRAIN HOSE	TUBO PU AIR SCARICO ACQUA DIA 20
	3	L312	HOSE CLAMP	FASCETTA SERRATUBO 16/25 H.8
	4	V067	LA MARZOCCO PURO CAFF POWDER	POLVERE LA MARZOCCO PURO CAFF
	5	F.9.000.01	MULTIPLE PARAMETER TEST KIT	KIT PER ANALISI DELL'ACQUA
	6	F.9.003	DIGITAL TDS METER	TDS METER DIGITALE
7	F.1.065	HTC THERMAL COMPOUND SYRINGE 2ML	SIRINGA GRASSO TERMICO HTC 2ML	
8	941	WATER TEST KIT	KIT MISURAZIONE ACQUA	
9	UT008	GASKET PICK	ESTRATTORE PER GUARNIZIONI	
10	F.3.050	LOAD 100g TO CALIBRATE SCALES	PESO 100g CALIBRAZIONE BILANCE	
11	UT023	TOOL FOR SEALING CALIBRATION	DIMA DI CALIBRAZIONE ANELLI DI TENUTA	
12	UT024	TOOL FOR PISTON ASSEMBLY	UTENSILE PER MONTAGGIO PISTONE	
13	UT025	TEMPLATE STRAIGHT IN ASSEMBLY	DIMA MONTAGGIO STRAIGHT-IN	
Item	Part number/Codice	Description	Descrizione	

LA MARZOCCO SRL
Via La Torre, 14/H
Localita' La Torre
50038 Scarperia e San Piero
(Florence) - ITALY
T. +39 055 849 191
F. +39 055 849 1990
info@lamarzocco.com
www.lamarzocco.com