

Including: DV, MV, Pourover, APS/TC/TS, Twins & Single CW

Supersedes Illustrated Parts Catalogs: 10716.####; 10789.####; 10790.0000;
10834.0000; 10895.0000; 33175.0000; 35279.0000



ILLUSTRATED PARTS CATALOG

Designs, materials, weights, specifications, and dimensions for equipment or replacement parts are subject to change without notice.

Bunn-O-Matic Corporation

Post Office Box 3227, Springfield, Illinois 62708-3227

Phone (217) 529-6601 | Fax (217) 529-6644

Technical Support Phone (800) 420-2866

BUNN-O-MATIC COMMERCIAL PRODUCT WARRANTY

Bunn-O-Matic Corp. ("BUNN") warrants equipment manufactured by it as follows:

- 1) Airpots, thermal carafes, decanters, GPR servers, iced tea/coffee dispensers, MCR/MCP/MCA single cup brewers, thermal servers and ThermoFresh® servers (mechanical and digital) 1 year parts and 1 year labor.
- 2) All other equipment - 2 years parts and 1 year labor plus added warranties as specified below:
 - a) Electronic circuit and/or control boards - parts and labor for 3 years.
 - b) Compressors on refrigeration equipment - 5 years parts and 1 year labor.
 - c) Grinding burrs on coffee grinding equipment for 4 years or 40,000 pounds of coffee, whichever comes first.

These warranty periods run from the date of installation BUNN warrants that the equipment manufactured by it will be commercially free of defects in material and workmanship existing at the time of manufacture and appearing within the applicable warranty period. This warranty does not apply to any equipment, component or part that was not manufactured by BUNN or that, in BUNN's judgment, has been affected by misuse, neglect, alteration, improper installation or operation, improper maintenance or repair, non periodic cleaning and descaling, equipment failures related to poor water quality, damage or casualty. In addition, the warranty does not apply to replacement of items subject to normal use including but not limited to user replaceable parts such as seals and gaskets. This warranty is conditioned on the Buyer 1) giving BUNN prompt notice of any claim to be made under this warranty by telephone at (217) 529-6601 or by writing to Post Office Box 3227, Springfield, Illinois 62708-3227; 2) if requested by BUNN, shipping the defective equipment prepaid to an authorized BUNN service location; and 3) receiving prior authorization from BUNN that the defective equipment is under warranty.

THE FOREGOING WARRANTY IS EXCLUSIVE AND IS IN LIEU OF ANY OTHER WARRANTY, WRITTEN OR ORAL, EXPRESS OR IMPLIED, INCLUDING, BUT NOT LIMITED TO, ANY IMPLIED WARRANTY OF EITHER MERCHANTABILITY OR FITNESS FOR A PARTICULAR PURPOSE. The agents, dealers or employees of BUNN are not authorized to make modifications to this warranty or to make additional warranties that are binding on BUNN. Accordingly, statements by such individuals, whether oral or written, do not constitute warranties and should not be relied upon.

If BUNN determines in its sole discretion that the equipment does not conform to the warranty, BUNN, at its exclusive option while the equipment is under warranty, shall either 1) provide at no charge replacement parts and/or labor (during the applicable parts and labor warranty periods specified above) to repair the defective components, provided that this repair is done by a BUNN Authorized Service Representative; or 2) shall replace the equipment or refund the purchase price for the equipment.

THE BUYER'S REMEDY AGAINST BUNN FOR THE BREACH OF ANY OBLIGATION ARISING OUT OF THE SALE OF THIS EQUIPMENT, WHETHER DERIVED FROM WARRANTY OR OTHERWISE, SHALL BE LIMITED, AT BUNN'S SOLE OPTION AS SPECIFIED HEREIN, TO REPAIR, REPLACEMENT OR REFUND.

In no event shall BUNN be liable for any other damage or loss, including, but not limited to, lost profits, lost sales, loss of use of equipment, claims of Buyer's customers, cost of capital, cost of down time, cost of substitute equipment, facilities or services, or any other special, incidental or consequential damages.

392, A Partner You Can Count On, Air Infusion, AutoPOD, AXIOM, BrewLOGIC, BrewMETER, Brew Better Not Bitter, BrewWISE, BrewWIZARD, BUNN Espresso, BUNN Family Gourmet, BUNN Gourmet, BUNN Pour-O-Matic, BUNN, BUNN with the stylized red line, BUNNlink, Bunn-O-Matic, Bunn-O-Matic, BUNNserve, BUNNSERVE with the stylized wrench design, Cool Froth, DBC, Dr. Brew stylized Dr. design, Dual, Easy Pour, EasyClear, EasyGard, FlavorGard, Gourmet Ice, Gourmet Juice, High Intensity, iMIX, Infusion Series, Intellisteam, My Café, Phase Brew, PowerLogic, Quality Beverage Equipment Worldwide, Respect Earth, Respect Earth with the stylized leaf and coffee cherry design, Safety-Fresh, savemycoffee.com, Scale-Pro, Silver Series, Single, Smart Funnel, Smart Hopper, SmartWAVE, Soft Heat, SplashGard, The Mark of Quality in Beverage Equipment Worldwide, ThermoFresh, Titan, trifecta, TRIFECTA (stylized logo), Velocity Brew, Air Brew, Beverage Bar Creator, Beverage Profit Calculator, Brew better, not bitter., Build-A-Drink, BUNNSource, Coffee At Its Best, Cyclonic Heating System, Daypart, Digital Brewer Control, Element, Milk Texturing Fusion, Nothing Brews Like a BUNN, Picture Prompted Cleaning, Pouring Profits, Signature Series, Sure Tamp, Tea At Its Best, The Horizontal Red Line, Ultra are either trademarks or registered trademarks of Bunn-O-Matic Corporation. The commercial trifecta® brewer housing configuration is a trademark of Bunn-O-Matic Corporation.

TABLE OF CONTENTS

TOP COVERS	4
HOOD ASSEMBLIES	8
TRUNKS.....	10
BASES.....	16
TANK AND COMPONENTS	20
FILL BASIN	24
MANIFOLDS-LATER TWINS.....	26
STRAINER/FLOW CONTROLS-EARLY TWINS.....	28
MANIFOLDS-LATER SINGLES.....	30
STRAINER/FLOW CONTROLS-SECOND STYLE SINGLES.....	32
STRAINER/FLOW CONTROLS-FIRST STYLE SINGLES.....	34
FILL SOLENOIDS	36
FAUCET	38
WARMER ASSEMBLIES.....	40
ELECTRICAL AND OPERATING CONTROLS	42
FUNNELS	52
NUMERICAL INDEX	54

EXPLANATION OF CODES

- 15** - All components in machine are rated for 120 Volts ac, (15 Amps).
- 20** - All components in machine are rated for 120 Volts ac, (20 Amps).
- 35** (120/240V) - Tank heater rated for 240 volts ac, all other components rated for 120 volts ac (20 Amps).
- DV** - Dual Voltage. 2 tank heaters with toggle switch.
- MV** - Multi Voltage. 2 tank heaters with terminal block. (Replaced by DV).
- A** - All components in machine are rated for 240 volts ac.
- B** - All components are rated for either 100 volts ac, or 200 volts ac.
- C** - Canadian models only.
- CE** - All components are rated for 230 volts ac for use in Europe.
- TWIN** - 2 brewers in 1 chassis.
- APS** - Airpot Server (No warmers).
- TC** - Thermal Carafe (No warmers).
- TS** - Thermal Server (No warmers).

Fraction	Decimal	Fraction	Decimal
1/16	0.063	9/16	0.563
1/8	0.125	5/8	0.625
3/16	0.188	11/16	0.688
1/4	0.250	3/4	0.750
5/16	0.313	13/16	0.813
3/8	0.375	7/8	0.875
7/16	0.438	15/16	0.938
1/2	0.500	1	1.000

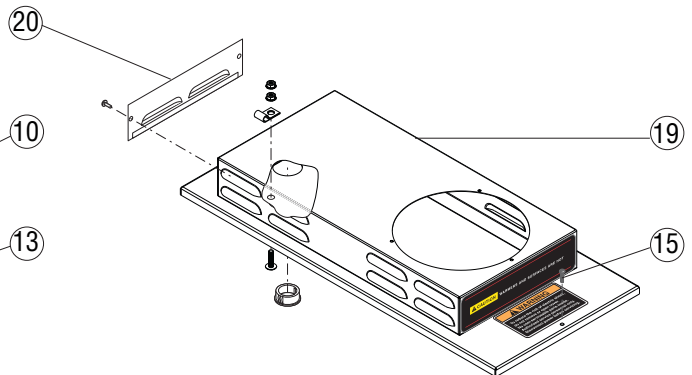
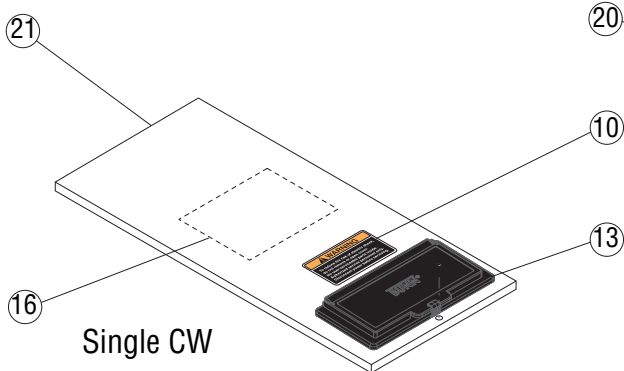
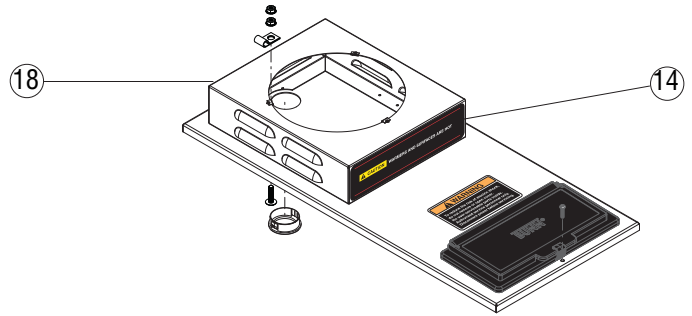
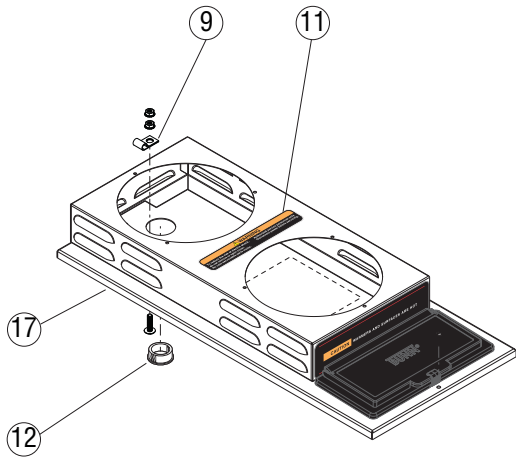
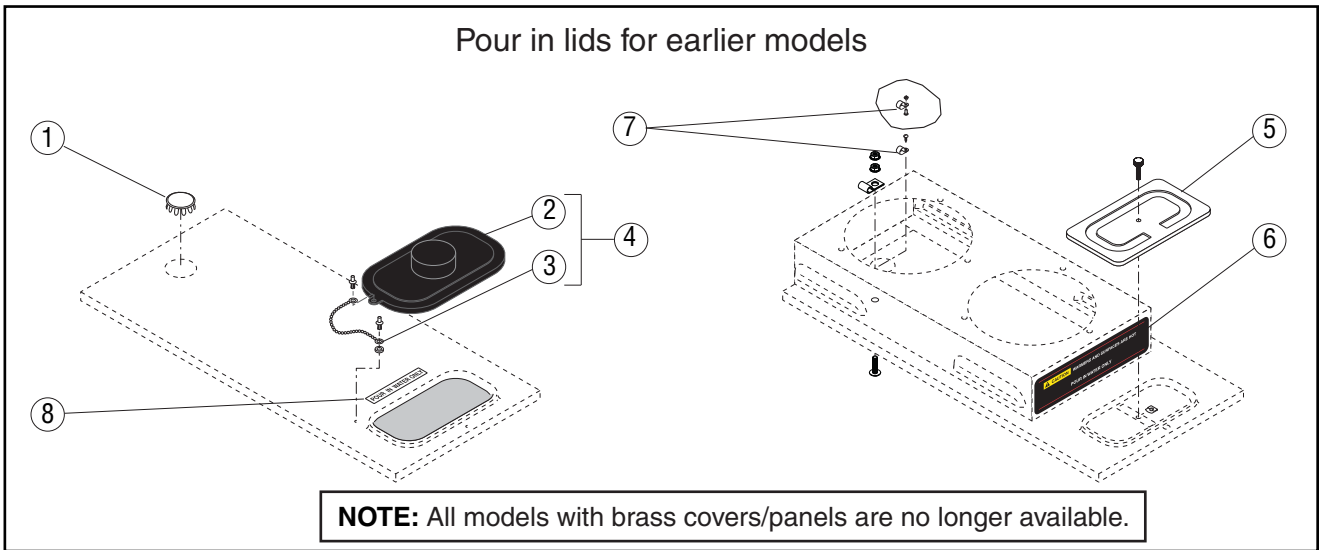
TIPS: _____



To **Search/Find** content in this document, use "**Ctrl+F**" (PC)



To **Search/Find** content in this document, use "**Command+F**" (Mac)



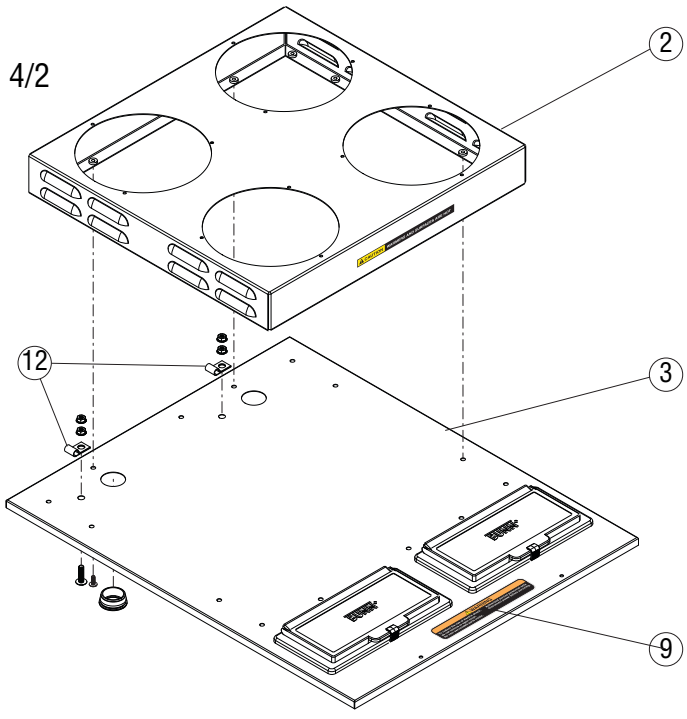
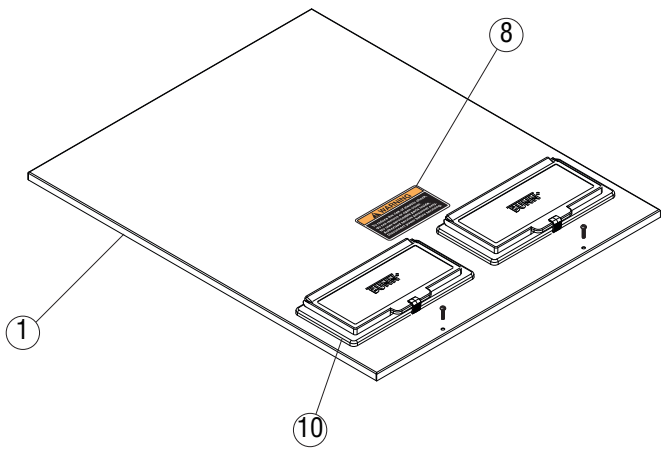
TOP COVER ASSEMBLIES-SINGLES

ITEM	PART NO.	QTY.		DESCRIPTION	
		TWIN	SINGLE		
1	02999.0000	-	1	Plug, SST 1.19" Dia.	
2	13110.0000	-	1	Lid	
3	12978.0000	-	1	Chain Assembly	
4	12981.0001	-	1	Lid/Chain Kit (Includes # 2-3)	
5	02722.0000	2	1	Lid, Pour-in SST	
	02722.0001	2	1	Lid, Pour-in BLK	
	01319.0000	2	1	SST thumbscrew # 8-32 x .75"	
	01319.0000	2	1	BLK thumbscrew # 8-32 x .75"	
	00912.0000	2	1	Fastener, "J" Type # 8-32	
6	02763.0000	-	1	Decal, Caution-Warmers and Surfaces are Hot - Pour in Water Only	
7	04831.0000	1	1	Clamp	
	01315.0000	1	1	Screw, Truss Head #8-32 x .375"	} First Style
	00908.0000	1	1	Nut #8-32	
	02332.0002	1	1	Screw, Hex-crimptite #6-32 X .375"	} Second Style
8	00833.0000	-	1	Decal, Pour in Water Only	
9	41760.0000	2	1	Clip, Cable - SST	} Later Models
	01326.0007	2	1	Screw, TRH SLTD 10-32x.75LG	
	00971.0000	4	2	Nut, Keps #10-32 Zinc Pl	
10	37881.0000	1	1	Decal, No User Serviceable Parts	
11	37881.0002	-	1	Decal, No User Serviceable Parts	
12	01592.0000	2	1	Bushing, Snap 1" Dia.	
	01592.0001	1	1	Bushing, Snap 1.188" Dia.	
13	38498.1000	2	1	Flip Lid Assembly w/Clip	
14	02765.0000	1	-	Decal, Caution-Warmers are Hot	
15	01303.0000	2	1	Screw, SST Panhead #4-40 x .5"	
	01303.0002	2	1	Screw, BLK Panhead #4-40 x .5"	
	00916.0000	2	1	Fastener, "J" Type # 4-40	
16	28180.0000	-	1	Decal, Multi Volt Heater Terminal Block Wiring Diagram	
17	38496.1002	-	1	Top Cover Assy. 2 Warmer SST (Includes # 11-14)	
	40085.1000*	-	1	Top Cover Assy. 2 Warmer BLK (OBS)	
18	38496.1000	-	1	Top Cover Assy. 1 Warmer Rear SST (Includes # 11-14)	
19	25633.0002	-	1	Top Cover Assy. 1 Warmer Front SST (Includes # 10, 12, 14)	
20	02732.0000	-	1	Panel, Rear SST	
	01315.0000	-	1	Screw, Truss Head #8-32 x .375"	
21	38503.1000	-	1	Top Cover Assy. No Warmer SST (Includes # 10, 13)	
	38504.1000	-	1	Top Cover Assy. No Warmer BLK (Includes # 10, 13)	

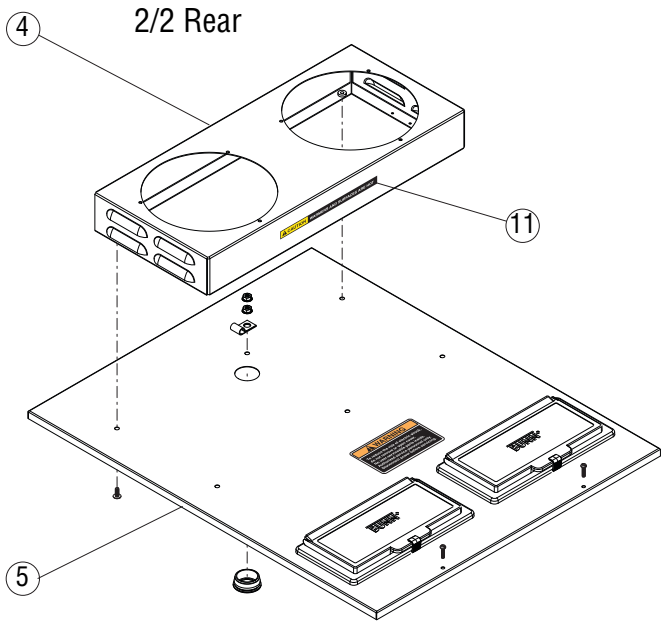


NOTE: All covers/housings include flip lids &/or decals as required.

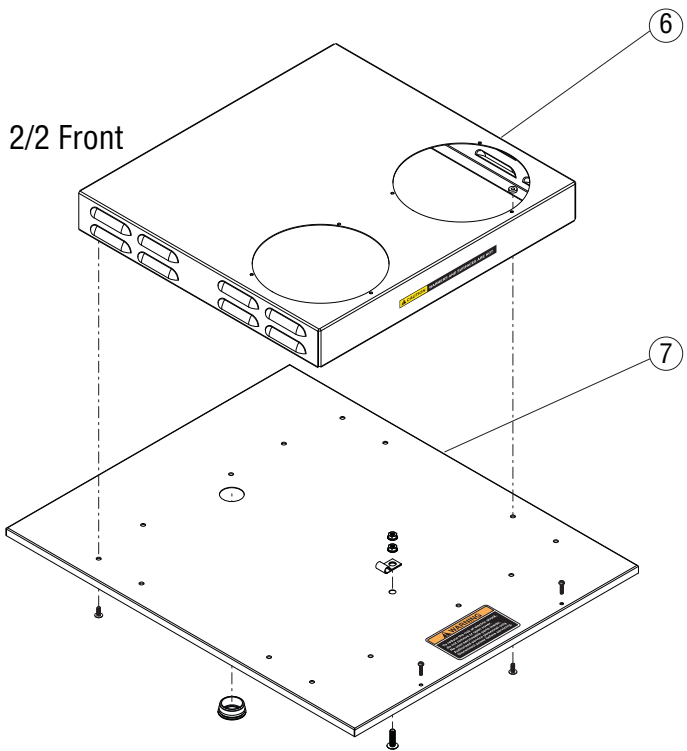
APS/TC & 0/6



2/2 Rear



2/2 Front



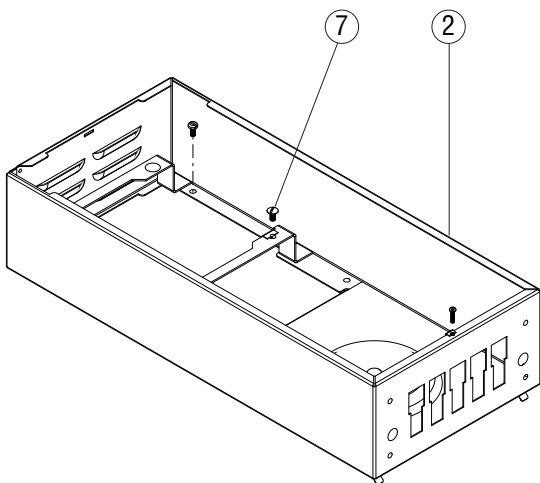
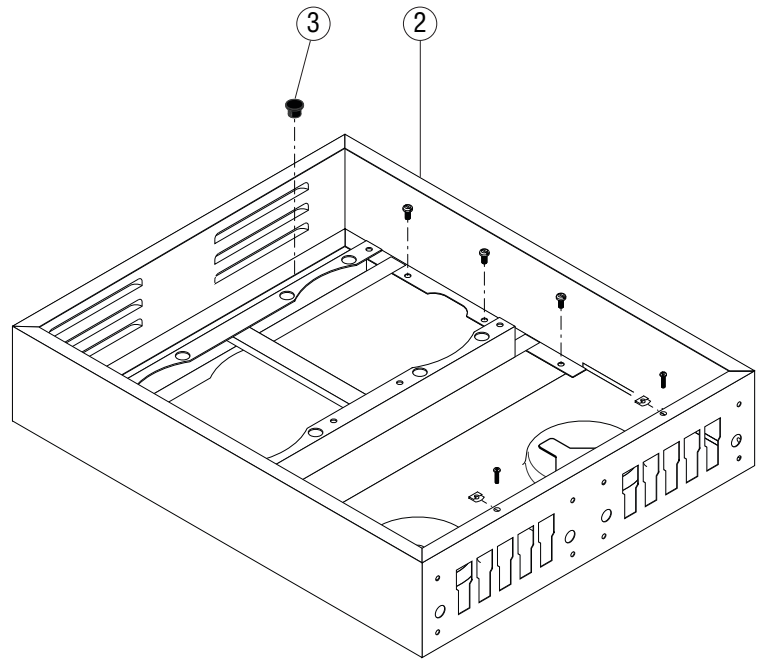
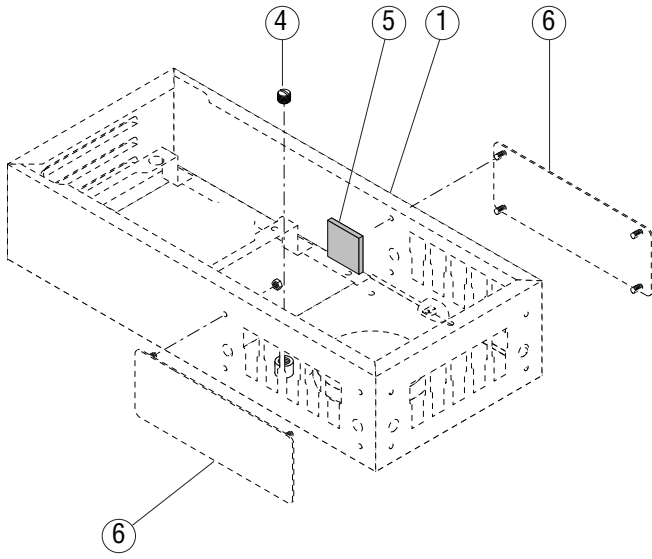
TOP COVER ASSEMBLIES-TWINS

ITEM	PART NO.	QTY.	QTY.	DESCRIPTION
		TWIN	SINGLE	
1	38707.1000	1	-	Cover Assembly SST No Warmers (Incl # 8, 10)
	38707.1003	1	-	Cover Assembly BLK No Warmers (Incl # 8, 10)
2	24254.0001	1	-	Housing Assembly, SST 4/2 (Incl # 11)
	01347.0000	10	-	Screw, Truss Head #6-32 x .375"
3	38707.1001	1	-	Cover Assembly SST 4/2 (Incl # 9, 10)
4	24254.0000	1	-	Housing Assembly, SST 2/2 Rear (Incl # 11)
	01347.0000	6	-	Screw, Truss Head #6-32 x .375"
5	38707.1002	1	-	Cover Assembly SST 2/2 Rear (Incl # 8, 10)
6	24254.0002	1	-	Housing Assembly, SST 2/2 Front (Incl # 11)
	01347.0000	10	-	Screw, Truss Head #6-32 x .375"
7	25864.0000	1	-	Cover Assembly SST 2/2 Front (Incl # 8)
8	37881.0000	1	1	Decal, No User Serviceable Parts
9	37881.0002	1	1	Decal, No User Serviceable Parts
10	38498.1000	2	1	Flip Lid Assembly w/Clip
11	12364.0000	1	-	Decal, Caution-Warmers Are Hot
12	41760.0000	2	1	Clip, Cable - SST
	01326.0007	2	1	Screw, TRH SLTD 10-32x.75LG
	00971.0000	4	2	Nut, Keps #10-32 Zinc Pl



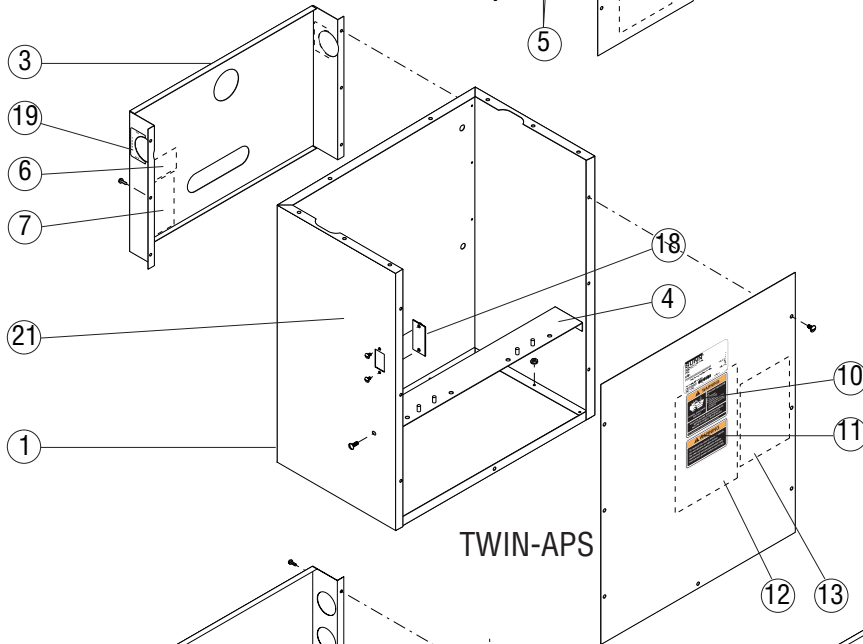
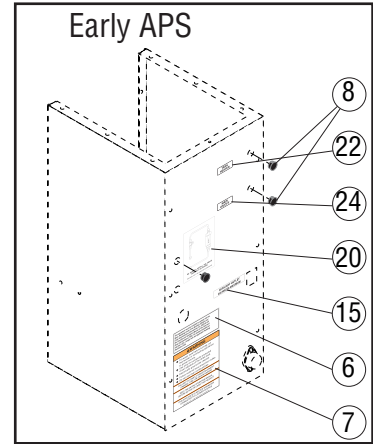
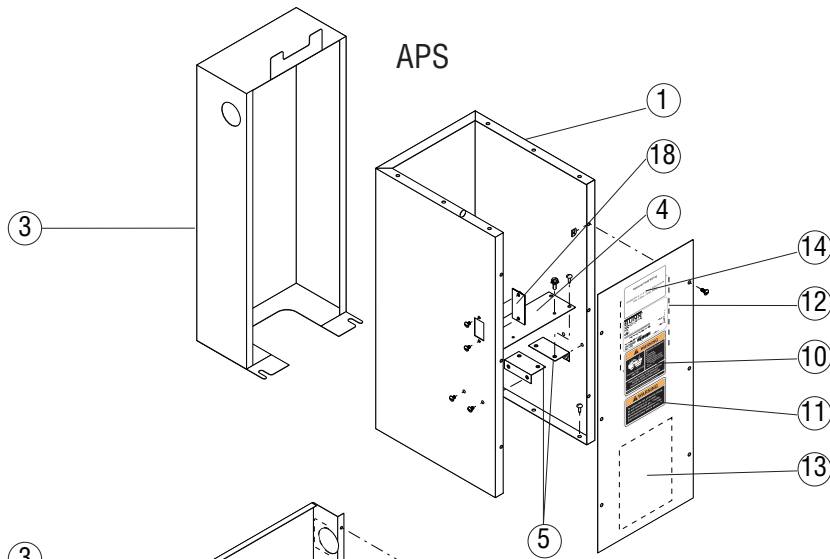
HOOD ASSEMBLIES

C/CT/CWTF
Series

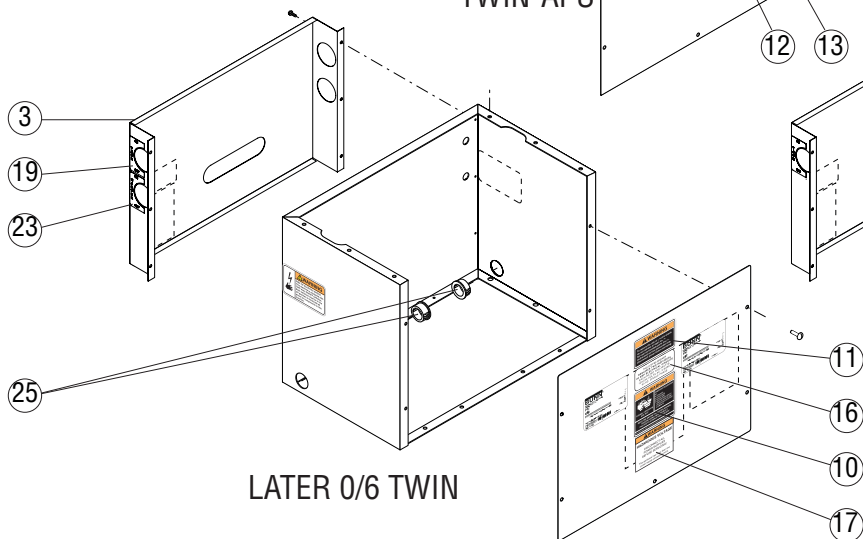
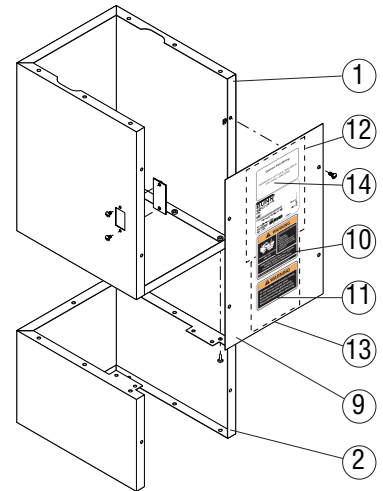


HOOD ASSEMBLIES

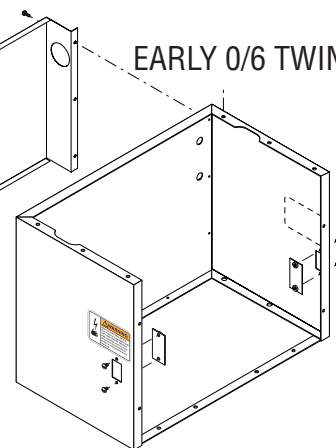
ITEM	PART NO.	QTY.		DESCRIPTION
		TWIN	SINGLE	
1	13350.0008*	-	1	Housing, Hood SST (Early Style No Longer Available, Order # 2) Screw #8-32 x .375" (Hood to Trunk)
	02308.0000	-	6	
2	13350.0006	-	1	Housing, Hood SST (7.125" Narrow Funnel) CWTF, Single CW
	13350.0016	-	1	Housing, Hood BLK (7.125" Narrow Funnel)
	13350.0011	-	1	Housing, Hood SST (7.625" Wide Funnel)
	23232.0000 *	1	-	Housing, Hood SST (7.125" Narrow Funnel)
	23232.0002 *	1	-	Housing, Hood BLK (7.125" Narrow Funnel)
	23232.0004	1	-	Housing, Hood BLK (7.625" Wide Funnel)
	23232.0005	1	-	Housing, Hood SST (7.625" Wide Funnel)
	02308.0000	6	6	Screw #8-32 x .375" PNHD (Hood to Trunk)
	01303.0000	2	1	Screw #4-40 x .50" PNHD (Cover to Hood)
	00916.0000	2	1	Clip J-Type #4-40
3	00669.0003	1	-	Plug BLK Nylon .438" Dia. (Brewers without Faucet)
4	00462.0001	-	1	Plug, Slotted Head .125" NPT (Early Models with Vent Tube)
5	03263.0002	-	1	Sponge Pad w/Adhesive (First Type with Top Mount Thermostat)
6	12683.0000*	-	2	Cover, Blank (No Longer Available)
	12683.0002*	-	1	Cover, w/Faucet Hole (No Longer Available)
	02371.0000*	-	8	Nut, Thumb #6-32 (No Longer Available)
	00973.0000	-	8	Nut, Keps #6-32 (Later Models)
7	01315.0000	4	2	Screw #8-32 x .375" TRSHD (Tank Mount) Clip, J-Type #8-32
	00912.0000	4	2	



Standard & TC



EARLY 0/6 TWIN

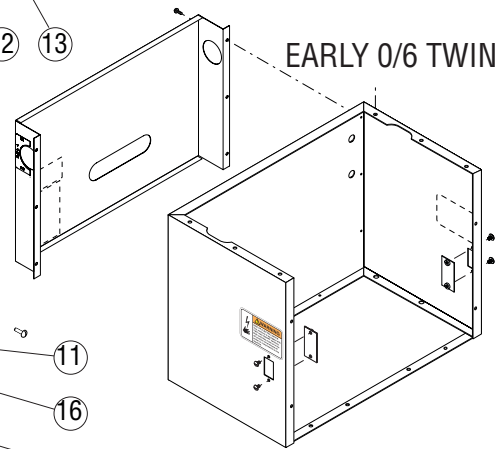
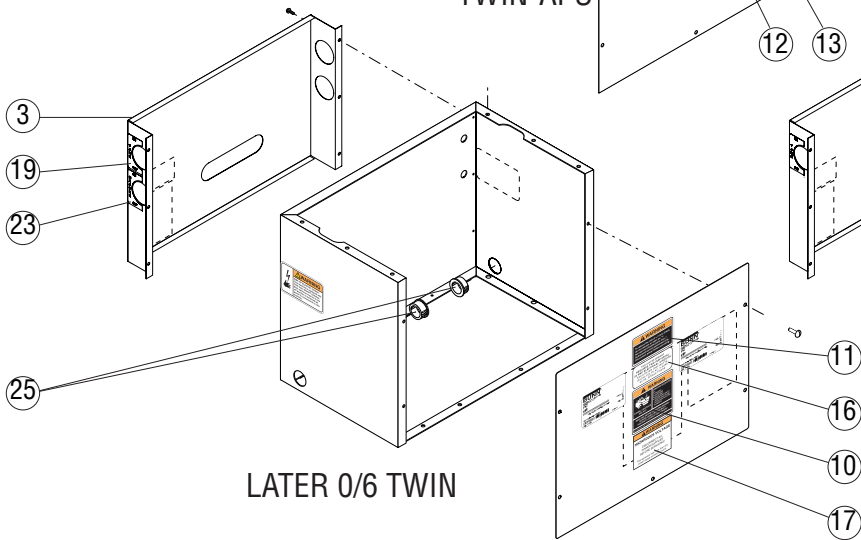
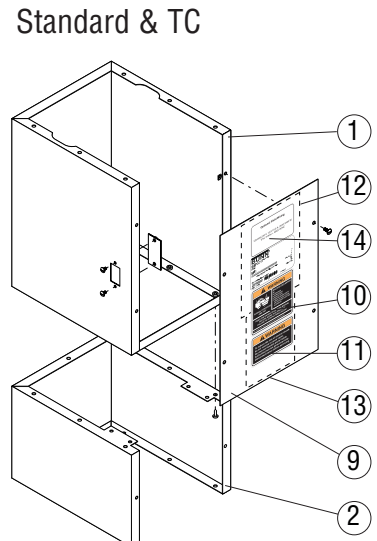
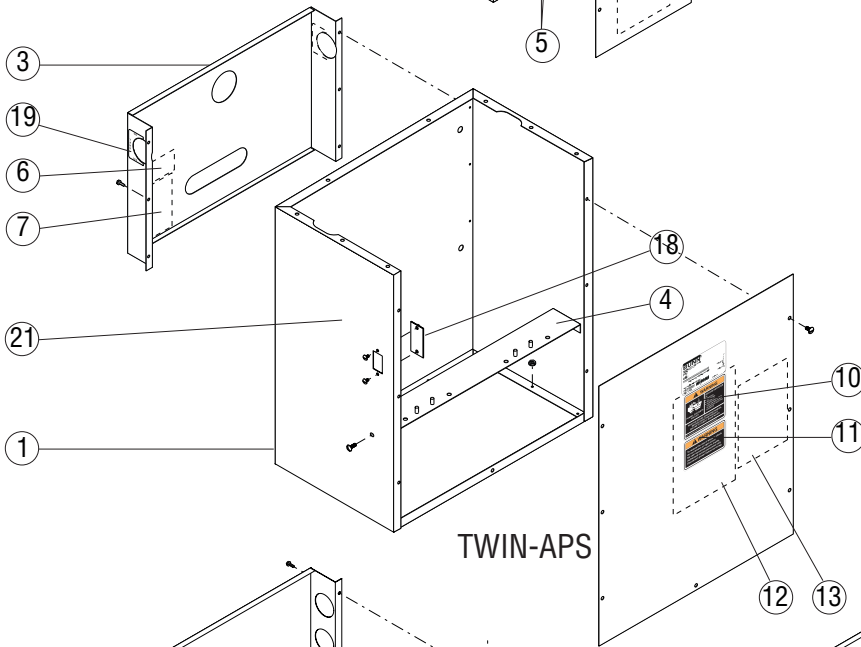
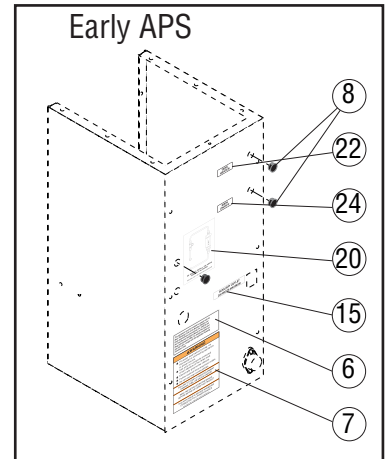
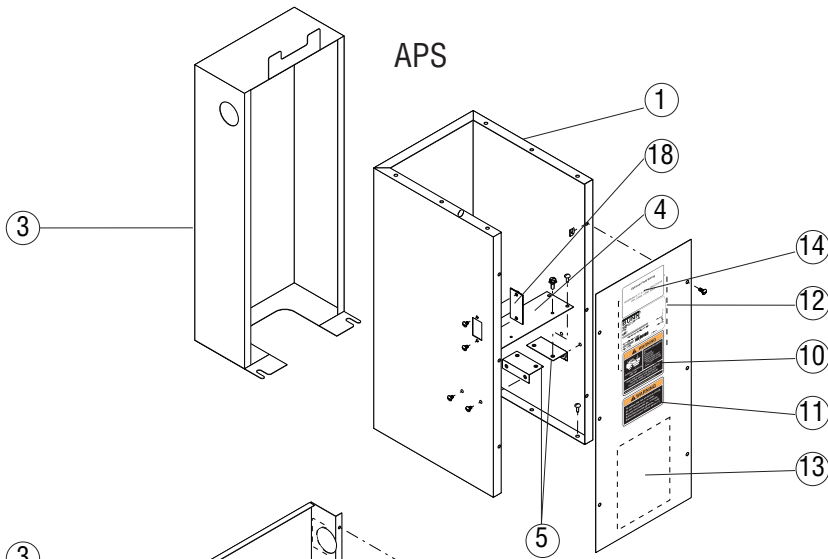


NOTE: All models with receptacle and/or fuse (MV) are no longer available

TRUNKS

ITEM	PART NO.	QTY. TWIN	QTY. SINGLE	DESCRIPTION	
1	34061.1006	-	1	Trunk, SST, 11.69" Standard	<div style="border: 1px solid black; padding: 5px; margin-bottom: 5px;"> <p style="text-align: right;">No Master ON/OFF Switch</p> </div> <div style="border: 1px solid black; padding: 5px;"> <p>NOTE: All trunks include decals 00656.0000 & 00831.0000 except 0/6 with 2 cords.</p> </div>
	34061.1000	-	1	Trunk, BLK, 11.69" Standard	
	25352.0007	-	1	Trunk, SST, 12.39" TC	
	34208.1002	-	1	Trunk, SST, 18.15" APS	
	23320.1004	-	1	Trunk, BLK, 18.15" APS	
	34061.0013	-	1	Trunk, BLK, 22.16" TS	
	34061.1004	-	1	Trunk, SST, 22.16" TS	
	26285.0000	1	-	Trunk, SST, TWIN APS	
	26285.0001	1	-	Trunk, BLK, TWIN APS	
	26285.0002	1	-	Trunk, SST, TWIN TC	
	23294.0000	1	-	Trunk, SST, 0/6, 4/2, 2/2 TWINS with 1 Power Cord	
	23294.0002	1	-	Trunk, BLK, 0/6, 4/2, 2/2 TWINS with 1 Power Cord	
	23294.0001*	1	-	Trunk, SST, 0/6 TWINS (with 2 Power Cords Only) (DISCONTINUED)	
	2	34061.1022	-	1	
34061.1035		-	1	Trunk, SST, 11.69" Standard (Right Mounted Switch)	
34061.1023		-	1	Trunk, BLK, 11.69" Standard	
34061.1025		-	1	Trunk, SST, 12.39" TC	
34061.1003		-	1	Trunk, SST, 16.69" Single CW	
34208.1011		-	1	Trunk, SST, 18.15" APS	
23320.1012		-	1	Trunk, BLK, 18.15" APS	
34061.0026		-	1	Trunk, BLK, 22.16" TS	
26285.0006		1	-	Trunk, SST, TWIN APS	
26285.0008		1	-	Trunk, BLK, TWIN APS	
26285.0007		1	-	Trunk, SST, TWIN TC	
23294.0011		1	-	Trunk, SST, 0/6, 4/2, 2/2 TWINS w/1 Power Cord	
23294.0008		1	-	Trunk, SST, 0/6 TWINS (with 2 Power Cords) (2 Switches)	
23294.1015		1	-	Trunk, SST, 0/6 TWINS (with 1 Power Cord Only) (New Style with Bushings)	
3	41402.1000	-	1	Trunk, SST, 11.69" Standard	<div style="border: 1px solid black; padding: 5px;"> <p style="text-align: right;">With Rear Mounted Master ON/OFF Toggle Switch</p> </div>
	41402.1001	-	1	Trunk, BLK, 11.69" Standard	
	41402.1003	-	1	Trunk, SST, 12.39" TC	
	41402.1008	-	1	Trunk, SST, 16.69" Single CW	
	41417.1000	-	1	Trunk, SST, 18.15" APS (120V)	
	41417.1001	-	1	Trunk, SST, 18.15" APS (230V CE)	
	41417.1002	-	1	Trunk, BLK, 18.15" APS (Domestic)	
	23294.1010	1	-	Trunk, SST, 0/6 TWINS (Includes # 21) (with 2 Cords) (4 Switches)	
	02308.0000	12	9	Screw, PNHD #8-32 x .375" (Trunk to Base)	
	00970.0000	8	-	Nut, Keps #8-32 (Trunk to Base) (TWIN - APS Only)	
00988.0000	7	6	Fastener, (Tinnerman) "U" Type #6-32		
4	22748.0000	-	1	Extension, SST, 6.5"	
	22748.0001	-	1	Extension, SST, 10.5"	
	22748.0002	-	1	Extension, BLK, 10.5"	
3	28233.0000	-	1	Optional Utility Cover (Fits 18.15" APS Trunks Only)	
	23270.0000	1	-	Utility Cover with Decals (All Short Twins) (Includes # 6,7,19)	
	41426.1000	1	-	Utility Cover with Decals (0/6 Twins with 2 cords) (Includes # 6,7,19, 23)	
02332.0002	6	-	Screw, Hex-Crimptite #6 x .38"		
4	26287.0000	1	-	Bracket, Support (APS Only)	
	22733.0000	-	1	Bracket, Support (APS Only)	
	02308.0000	2	4	Screw #8-32 x .375"	

Continued on next page



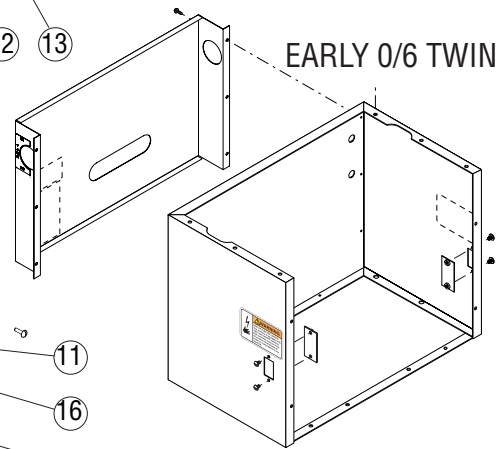
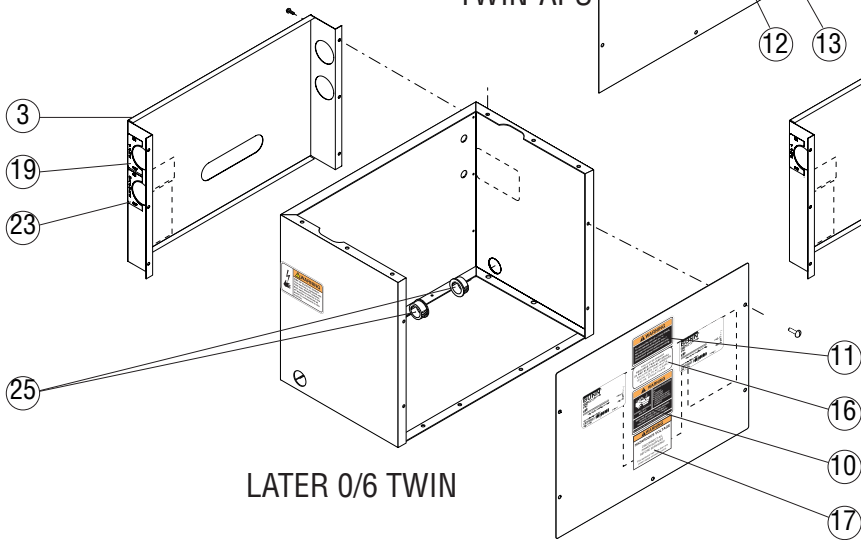
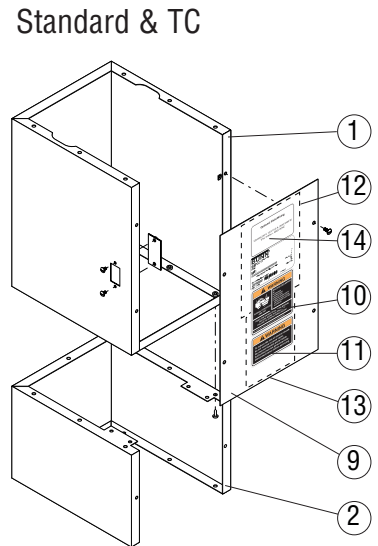
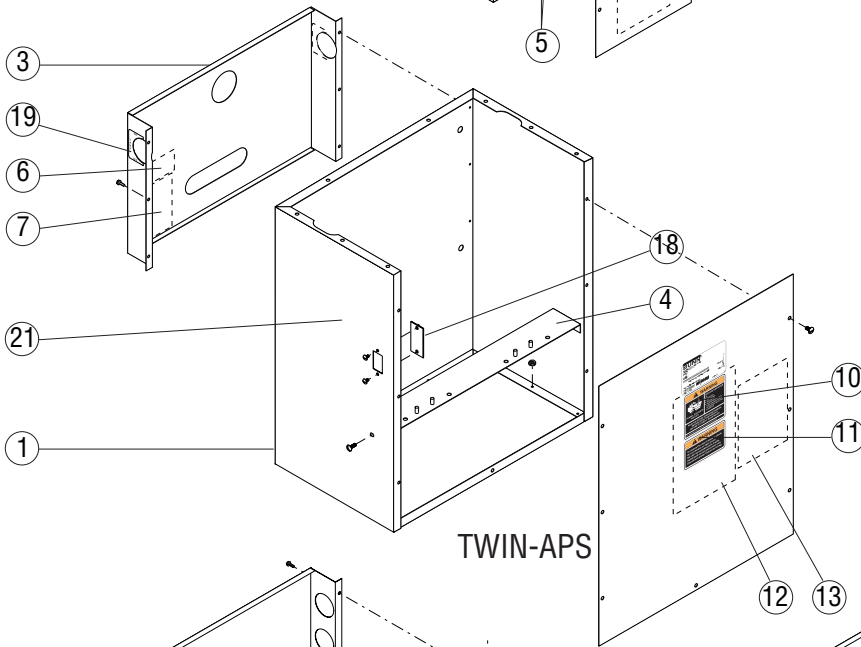
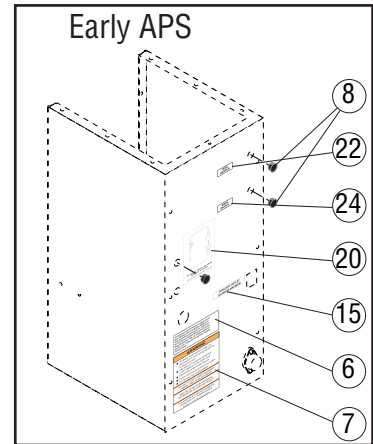
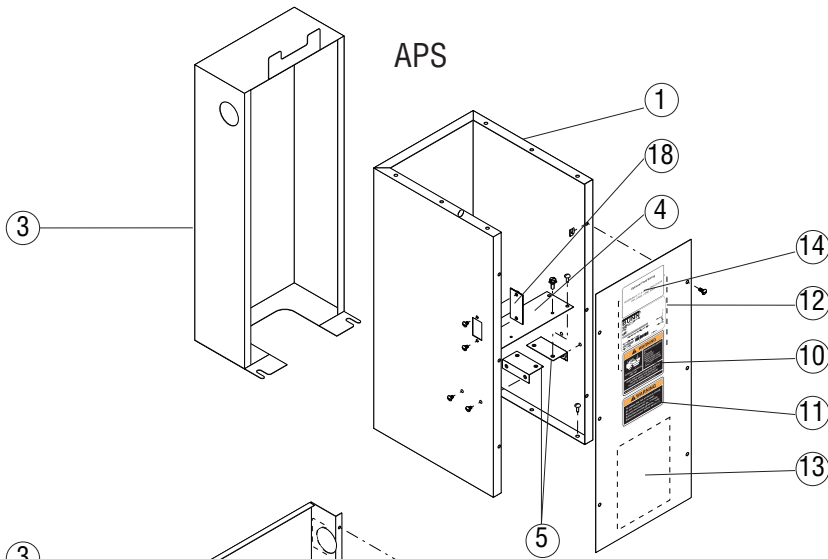
NOTE: All models with receptacle and/or fuse (MV) are no longer available

TRUNKS

ITEM	PART NO.	QTY. TWIN	QTY. SINGLE	DESCRIPTION
5	27929.0000	-	2	Bracket, (APS Only)
	02308.0000	-	4	Screw #8-32 x .375"
6	00656.0001	1	1	Decal, Compliance To Plumbing Code
7	00831.0000	1	1	Decal, Warning-Electrical
8	00669.0003	-	2	Plug
9	11408.1002	-	1	Panel, SST, 11.625" Standard (Includes # 10-11)
	11408.1005	-	1	Panel, BLK, 11.625" Standard (Includes # 10-11)
	11408.1006	-	1	Panel, SST, 12.375" TC (Includes # 10-11)
	22730.1007	-	1	Panel, SST, 15.63" Single CW (Includes # 10-11)
	22730.1002	-	1	Panel, SST, 18.125" APS (Includes # 10-11)
	22730.1005	-	1	Panel, BLK, 18.125" APS (Includes # 10-11)
	22730.1003	-	1	Panel, SST, 22.125" TS (Includes # 10-11)
	22730.1009	-	1	Panel, BLK, 22.125" TS (Includes # 10-11)
	01382.0000	-	4-6	Screw, SST #6-32 x .375"
	01382.0002	-	4-6	Screw, BLK #6-32 x .375"
	26283.1000	1	-	Panel, SST, TWIN APS (Includes # 10-11)
	26283.1001	1	-	Panel, BLK, TWIN APS (Includes # 10-11)
	23267.1000	1	-	Panel, SST, All Other TWINS w/One Power Cord (Includes # 10-11)
	24249.0003	1	-	Panel, SST, All 0/6 TWINS w/Two Power Cords (Includes # 10-12,16,17)
	23267.1001	1	-	Panel, BLK, All Other TWINS (Includes # 10-11)
	01315.0000	5-7	-	Screw, SST #8-32 x .375"
	01315.0005	5-7	-	Screw, BLK #8-32 x .375"
	10	00658.0000	1	1
11	37881.0000	1	1	Decal, No User Serviceable Parts
12	10836.0000	-	1	Schematic, C, CWT, CWTF-15, 20, 35, 120V, 120/208-240V
	10836.0005	-	1	Schematic, C, CWT, CWTF-MV
	10836.0009	-	1	Schematic, C, CWT, CWTF-DV
	10836.0010	-	1	Schematic, APS/TC/TS-DV
	10836.0011	-	1	Schematic, Single CW
	10693.0000	-	1	Schematic, APS/TC/TS-12, 20, 35 (Mechanical Thermostat)
	10693.0001	-	1	Schematic, APS/TC/TS-12, 20, 35 (Electronic Thermostat)
	10693.0002	-	1	Schematic, APS/TC/TS-MV
	10867.0000	1	-	Schematic, 2/2,4/2 Twins with Optional Recovery Booster
	27693.0000	1	-	Schematic, 0/6 Twins (Mechanical Thermostat, Fresh Timer & Booster)
	10847.0000	1	-	Schematic, 0/6 Twins with Two Power Cords
	10736.0000	1	-	Schematic, All Other Twins
	13	32540.0000	1	1
14	28181.0000	-	1	Decal, Optional Field Wiring (3 Warmer) (MV Only)
	28181.0001	-	1	Decal, Optional Field Wiring (1 Warmer) (MV Only)
	28181.0002	-	1	Decal, Optional Field Wiring (APS-MV Only)
	34955.0000	-	1	Decal, Optional Field Wiring (TC/APS-DV Only)
	34955.0001	-	1	Decal, Optional Field Wiring (1 Warmer) (DV Only)
	34955.0002	-	1	Decal, Optional Field Wiring (2 Warmer) (DV Only)
	34955.0003	-	1	Decal, Optional Field Wiring (3 Warmer) (DV Only)
15	02822.0000	-	1	Decal, 200 Watts Maximum
16	12183.0002	1	-	Decal, 20 amp Electrical Circuit (Brewers with 2 Power Cords Only)

NOTE: All front panels include decals 00658.0000 & 37881.0000

Continued on next page



NOTE: All models with receptacle and/or fuse (MV) are no longer available

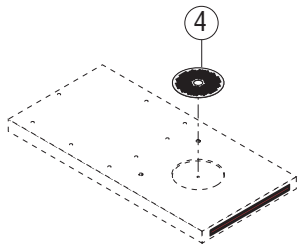
TRUNKS

ITEM	PART NO.	QTY. TWIN	QTY. SINGLE	DESCRIPTION
17	12104.0000	1	-	Decal, Warning-Power Supply (Brewers with 2 Power Cords Only)
18	38820.0000	1	1	Plate, Switch Cover (Models without Power Switch)
	01308.0002	2	2	Screw SST #6-32 x .25"
	01308.0003	2	2	Screw BLK #6-32 x .25"
19	24213.0000	1	-	Decal, Tank Heater (Includes Left & Right Decals)
20	10165.0000	-	1	Decal, Strainer/Flow Control (without Needle Valve)
	10447.0000	-	1	Decal, Strainer/Flow Control (with Needle Valve)
	24540.0000	-	1	Decal, Strainer/Flow Control 2nd Type (Center Tap & Needle Valve)
	26225.0000	-	1	Decal, Strainer/Flow Control 3rd type (One Piece Strainer/Flow Control)
21	40124.0000	(2)	-	Decal, Warning-ON/OFF Switch x 2 (0/6 Twins with 2 Power Cords Only)
22	39806.0000	-	1	Decal, Tank Heater
23	41427.0000	2	-	Decal, Master ON/OFF (Includes Left & Right Decals)
24	41405.0000	-	1	Decal, Master ON/OFF
25	01592.0000	2	-	Bushing

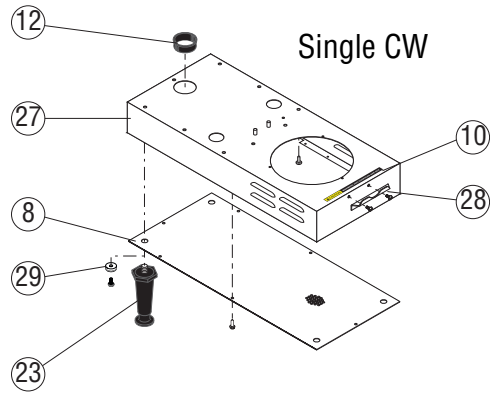
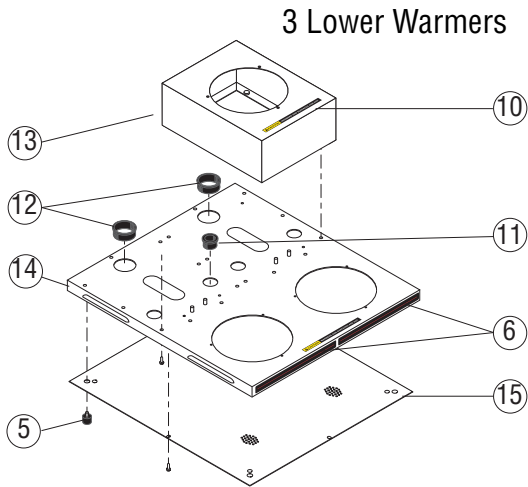
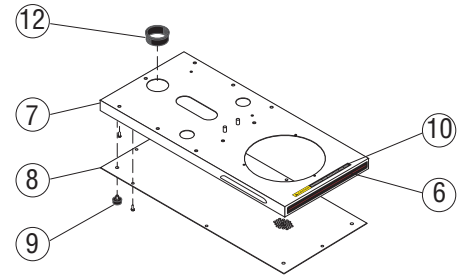
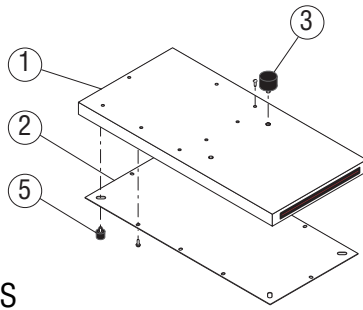


BASES

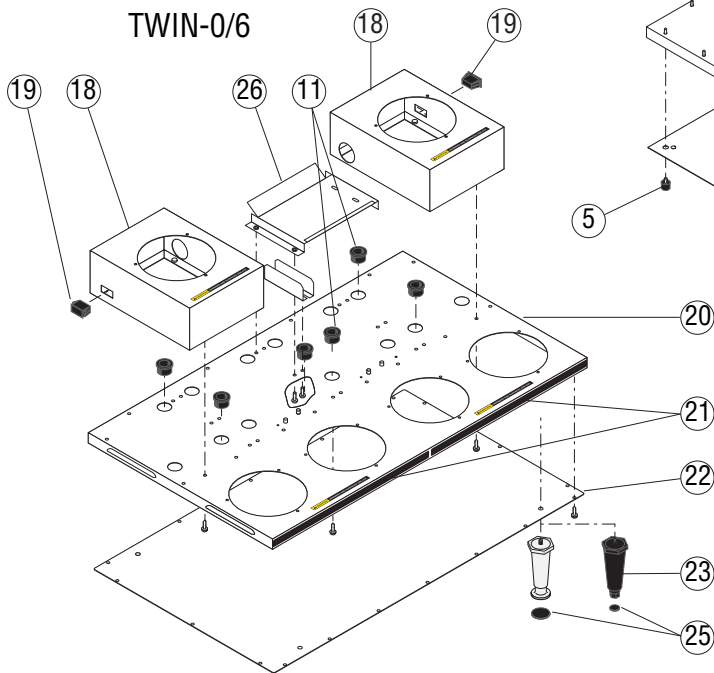
C/CT/CWTF
Series



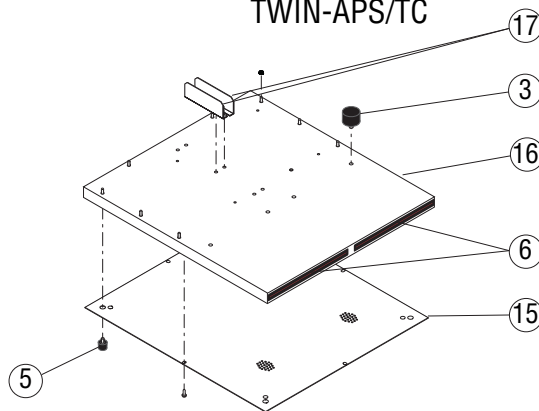
APS/TC/TS



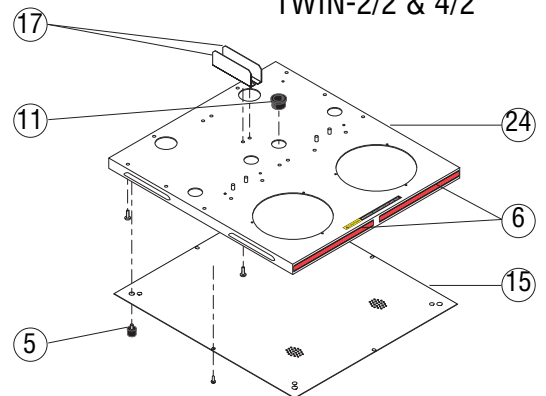
TWIN-0/6



TWIN-APS/TC



TWIN-2/2 & 4/2



BASES

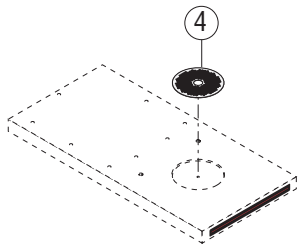
ITEM	PART NO.	QTY. TWIN	QTY. SINGLE	DESCRIPTION
1	23321.0000	-	1	Base W/decals, Sst (Includes Item 6) Aps
	23321.0001	-	1	Base W/decals, Sst (Includes Item 6) Ts
	23321.0002	-	1	Base W/decals, Sst (Includes Item 6) Aps (Ce)
	23321.0003	-	1	Base W/decals, Sst (Includes Item 6) Ts (Ce)
	23321.0004	-	1	Base W/decals, Blk (Includes Item 6) Aps
2	22999.0000	-	1	Plate, Base APS/TC/TS
	02332.0002	-	8	Screw, Hex-crimptite #6-32 X .375"
3	00754.0001	4	2	Locator
4	22740.0000	-	1	Drip Shield, (Early Models Only)
5	25137.0001	-	4	Foot .75od X .48ht X .25thd
	24600.0000	-	-	Set Of 4 Feet
6	22306.0000	2	1	Decal, Red Decorative Stripe
7	25351.0000	-	1	Base, 1 Warmer W/decals, Sst (Includes Items 6 & 10)
	25351.0001	-	1	Base, 1 Warmer W/decals, Sst (Includes Items 6 & 10) (Ce)
	25351.0002*	-	1	Base, 1 Warmer W/decals, Blk (Includes Items 6 & 10)
8	24805.0000	-	1	Plate, Base 1 Warmer
	24805.0002	-	1	Plate, Base 1 Warmer (Single CW)
	02332.0002	-	6	Screw, Hex-crimptite #6-32 X .375"
9	25137.0000	-	4	Foot .75od X .25ht X .25thd
	35712.0000	-	-	Set Of 4 Feet
10	12364.0000	#	#	Decal, Caution-warmers/surfaces Are Hot (Refer To Illustration For Qty.)
11	01592.0000	#	#	Bushing, Snap 1" (Refer To Illustration For Qty.)
12	01593.0000	#	#	Bushing, Snap 1.5" (Refer To Illustration For Qty.)
13	25658.0000	-	1	Housing, Side Warmer Sst (Includes Item 10)
	25658.0002	-	1	Housing, Side Warmer Blk (Includes Item 10)
	02308.0000	-	7	Screw, #8-32 X .375"
14	25657.0000	-	1	Base, 3 Warmers W/decals, Sst (Includes Items 6 & 10)
	25657.0001	-	1	Base, 3 Warmers W/decals, Sst (Includes Items 6 & 10) Ce
	25657.0002	-	1	Base, 3 Warmers W/decals, Blk (Includes Items 6 & 10)
15	12667.0001	-	1	Plate, Base 3 Warmers
16	26413.0000	1	-	Base W/decals, Sst (Includes Item 6) Twin-aps
	26413.0001	1	-	Base W/decals, Blk (Includes Item 6) Twin-aps
17	26953.0000	2	-	Guard, Wiring
	02308.0000	4	-	Screw, #8-32 X .375"
18	23698.1002	1	-	Housing, Side Warmer Sst Right(Includes Item 10) w/o Switch Cut Out
	23698.1003	1	-	Housing, Side Warmer Sst Left (Includes Item 10) w/o Switch Cut Out
	23698.1004	1	-	Housing, Side Warmer Sst Right (Includes Item 10) w/Switch Cut Out
	23698.1005	1	-	Housing, Side Warmer Sst Left (Includes Item 10) w/Switch Cut Out
	02308.0000	14	-	Screw, #8-32 X .375"
19	12921.0000	2	-	Switch Blank

Continued on next page

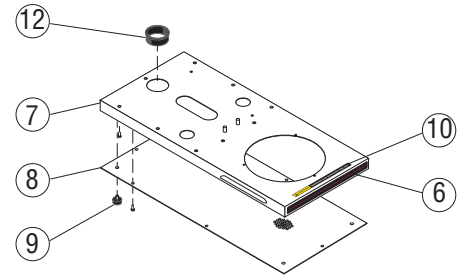
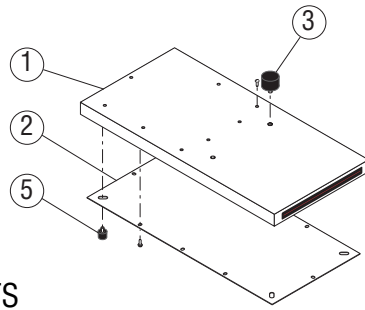


BASES

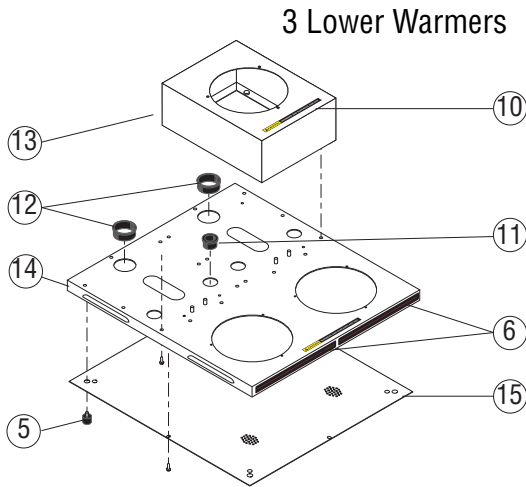
C/CT/CWTF Series



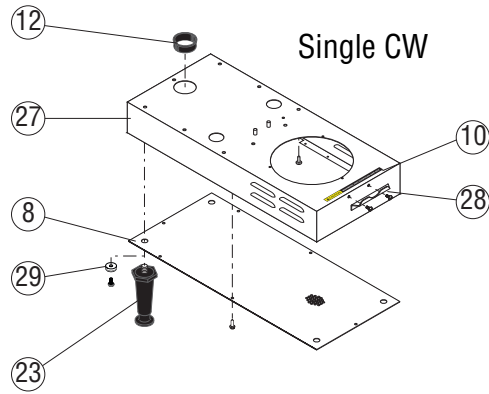
APS/TC/TS



1 Lower Warmer

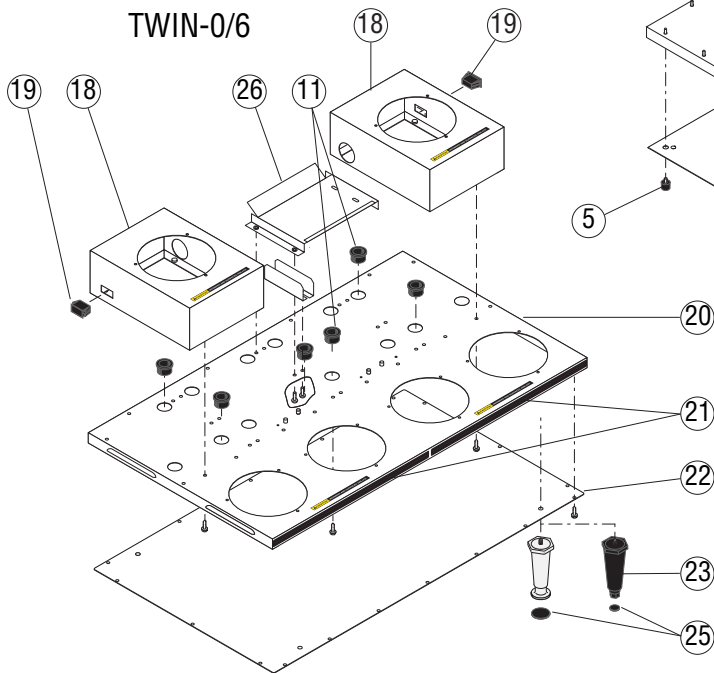


3 Lower Warmers

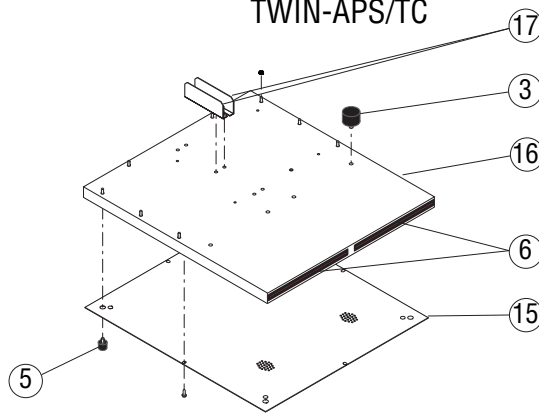


Single CW

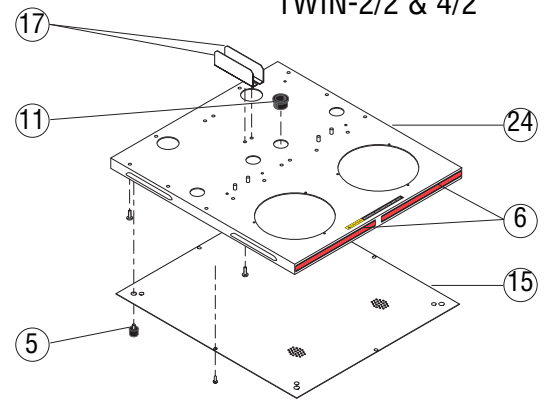
TWIN-0/6



TWIN-APS/TC

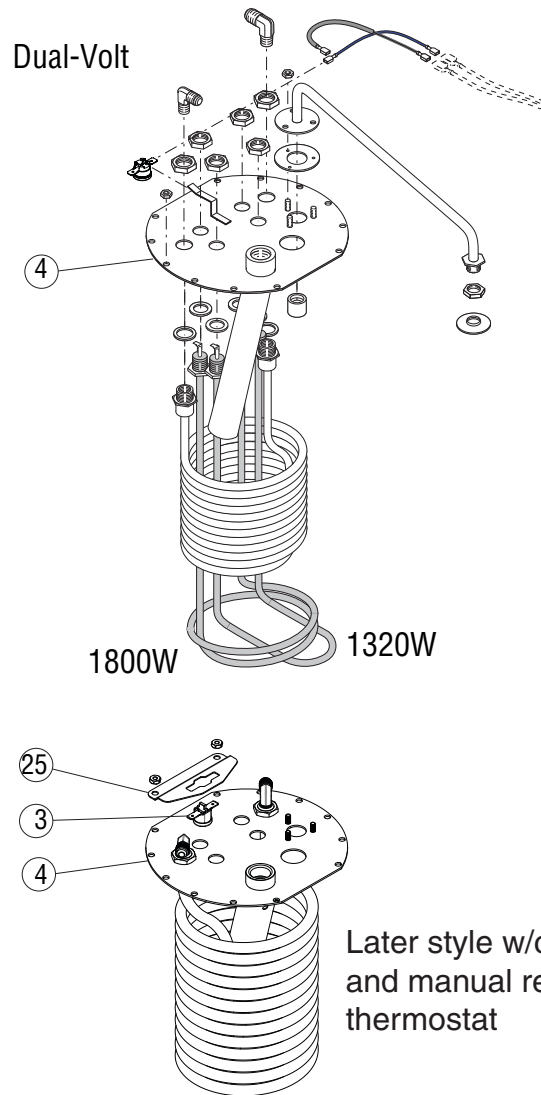
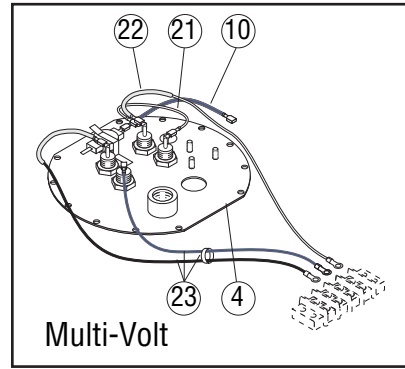
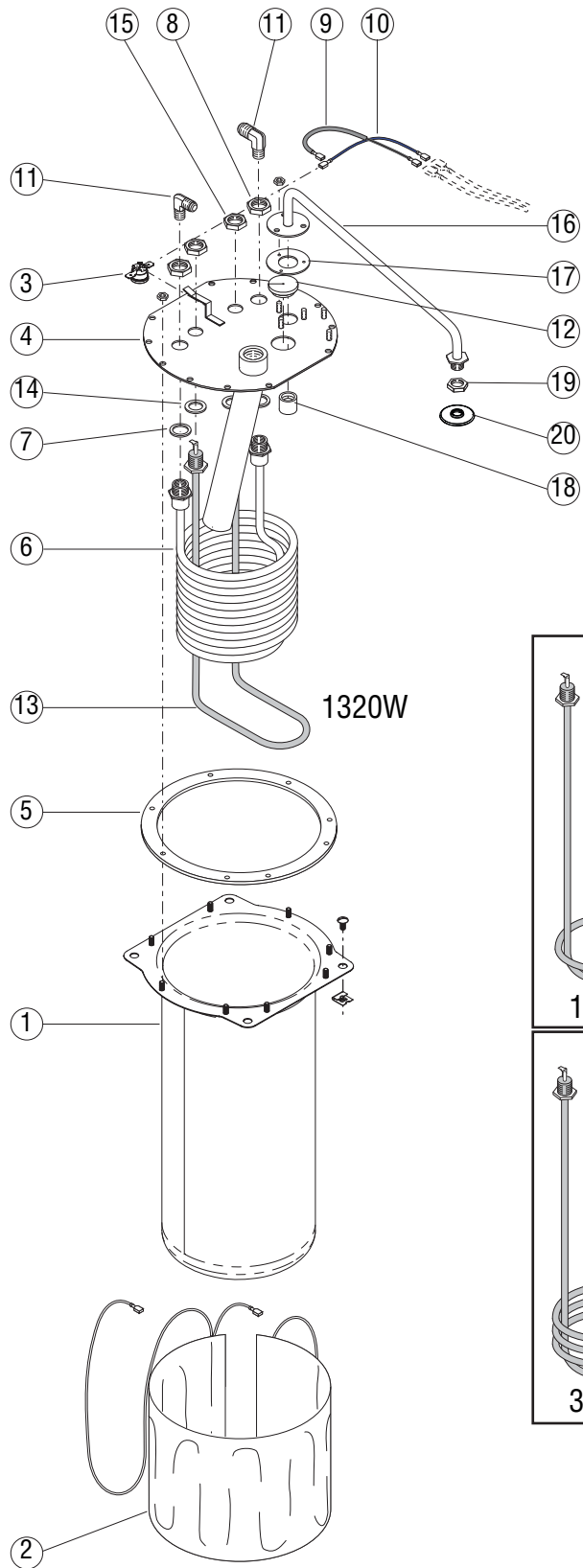


TWIN-2/2 & 4/2



BASES

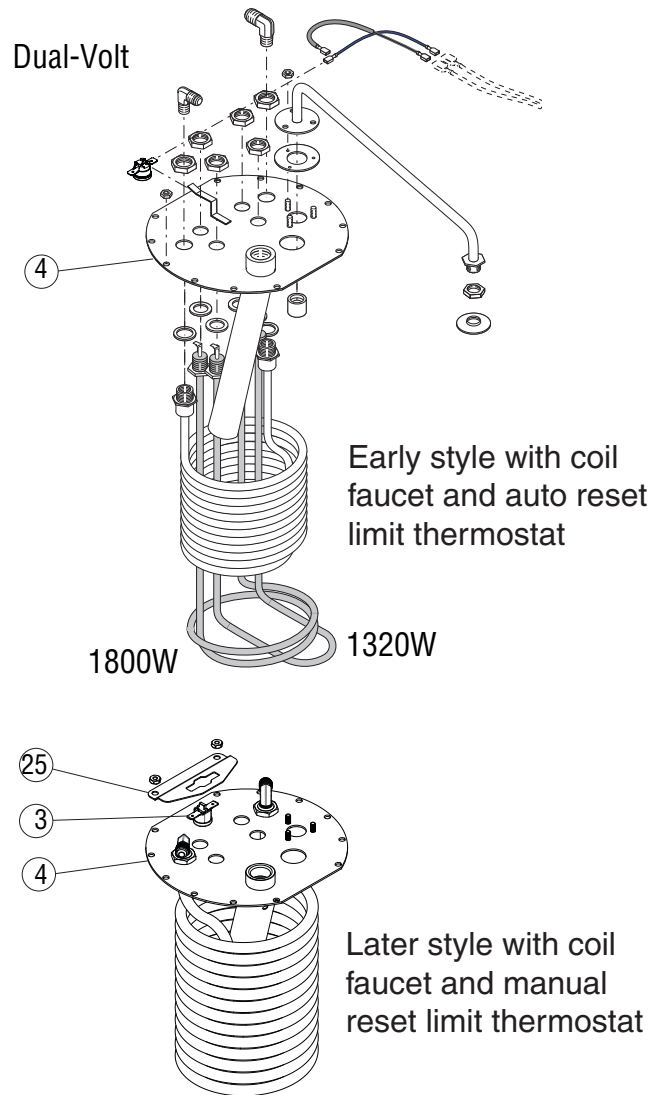
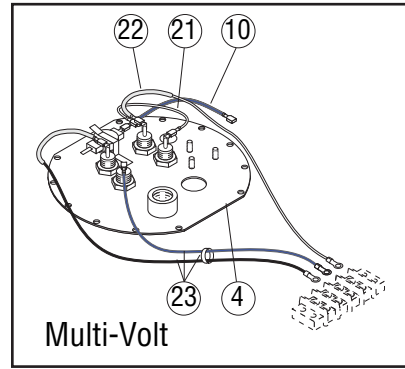
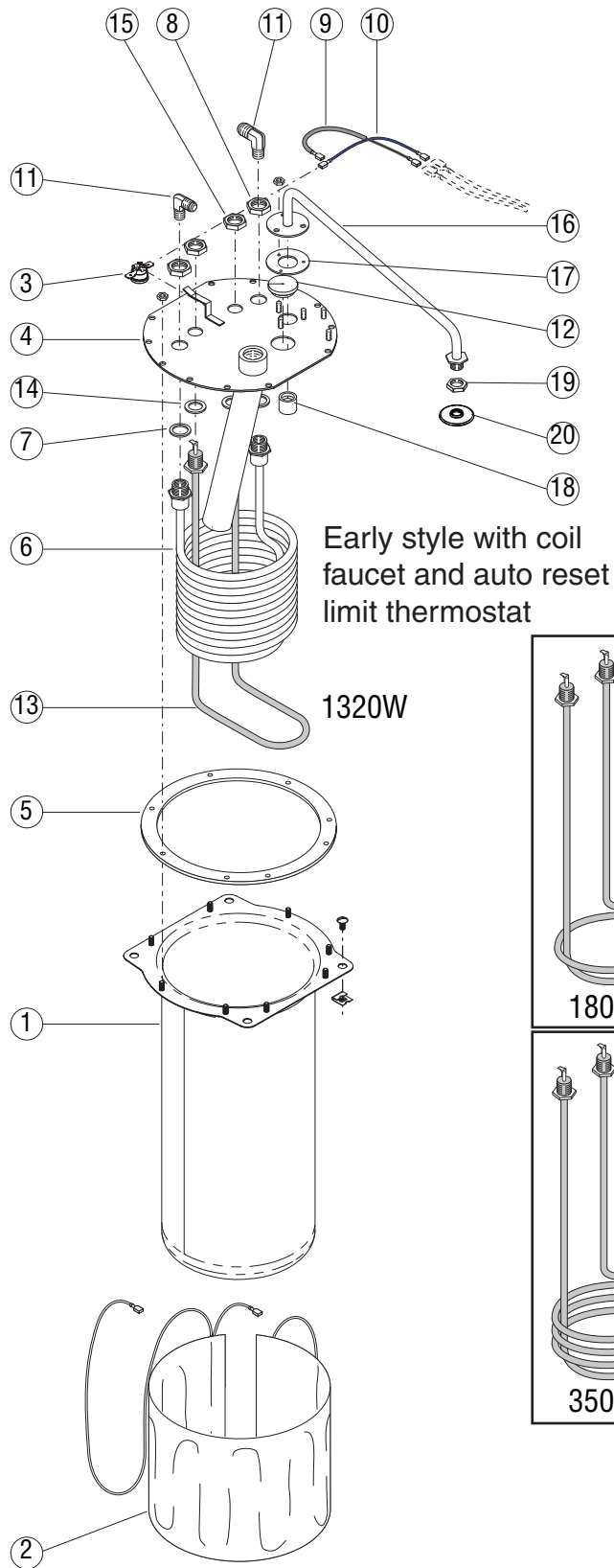
ITEM	PART NO.	QTY.		DESCRIPTION
		TWIN	SINGLE	
20	24253.0001	1	-	Base W/decals, Sst (Includes # 10 & 21) Twin 0/6
	24253.0002	1	-	Base W/decals, Blk (Includes # 10 & 21) Twin 0/6
	02308.0000	12	-	Screw, #8-32 X .375"
21	24230.0000	2	-	Decal, Red Decorative Stripe (Twins Only)
22	23329.0000	1	-	Plate, Base, Twin 0/6
	02332.0002	18	-	Screw, Hex-crimptite #6-32 X .375"
23	00511.1000	1 Set	-	Legs, 4" Adjustable, Satin Nickel, .25"-20 (Includes # 25)
	13255.0005	1 Set	-	Legs, 4" Adjustable, Black Plastic, .25"-20 (Includes # 25)
	26528.0001	-	4	Legs, 4" Adjustable, Black Plastic, .25"-20 (Single CW)
24	24253.0000	1	-	Base with decals, Sst (Includes Items 6 & 10) Twin 2/2 & 4/2
	24253.0003	1	-	Base with decals, Blk (Includes Items 6 & 10) Twin 2/2 & 4/2
	02308.0000	12	-	Screw, #8-32 X .375"
25	03996.0000	4	-	Pad, 1.25"
	03993.0000	4	-	Pad, .70"
26	27623.0000	1	-	Guard, Wiring - Right (Brewers with 2 Power Cords Only)
	02308.0000	2	-	Screw, #8-32 X .375"
27	34065.1001	-	1	Base with decals, Sst (Includes # 10 & 28) Single CW
28	21104.0003	-	1	Server Stop (Single CW Only)
	01347.0000	-	2	Screw, Truss Head #6-32 x .375"
29	11435.0000	-	4	Foot
	02308.0000	-	4	Screw, #8-32 X .375"
	22568.0000	-	-	Kit, Foot (Set of 4 with screws) For early singles only.



TANK AND COMPONENTS

ITEM	PART NO.	QTY. TWIN	QTY. SINGLE	DESCRIPTION	
1	04118.0000	2	1	Tank	
	20201.3000	-	1	Tank (Single CW, 1 gallon models only, will not fit standard CW)	
	01315.0000	4	2	Screw #8-32 x .375" TRSHD	
	00912.0000	4	2	Clip, J-Type #8-32	
2	04260.0000	2	1	Blanket Warmer 50W, 120V	
	01927.0000	2	1	Blanket Warmer 50W, 220V	
3	29329.1000	2	1	Thermostat, Limit (Auto)	
	50291.0000	1	1	Thermostat, Limit (Manual) with coil faucet only	
4	25158.0000	1	1	Tank Lid (1 HTR, No Faucet)	
	25158.1001	1	1	Tank Lid (1 HTR, with Faucet) (Includes # 3 & 25)	
	25158.0002	-	1	Tank Lid (1 HTR, No Faucet)	
	25158.1004	-	1	Tank Lid (DV/MV, with Faucet)(Includes # 3 & 25)	
	00908.0000	16	8	Nut, Hex #8-32	
5	04221.0000	2	1	Gasket, Tank Lid	
6	12689.1000	1	1	Coil Assy, Faucet (Includes # 7)	
7	12688.0000	2	2	Gasket, Water Coil	
8	12687.0000	2	2	Nut, Hex Brass .562"-24 (Water Coil)	
9	20211.0100	1	1	Thermal Cut Off (TCO) (Thermostat to Heater) with Faucet	
	23769.0000	1	1	Lead, Electrical BLK (Thermostat to Heater) without Faucet	
10	23768.0000	2	1	Lead, Electrical BLU (Thermostat to Limit)	
11	00400.0001	4	2	Elbow, Male .250" Flare x .125" MPT	
12	-----	-	-	(See Electrical Section)	
13	03070.1001	-	1	Tank Heater, 1500W 120V (Single CW-15, 1 gallon model only Will not fit standard CW)	Includes # 14
	04236.1000	-	1	Tank Heater, 1320W 120V (CWTF-15)	
	04636.1000	-	1	Tank Heater, 1800W 120V (CWTF-20 & MV/DV)	
	01925.1000	-	1	Tank Heater, 1850W 220V (CWTF-20)	
	04637.1000	2	1	Tank Heater, 3500W 240V (CWTF-35 & Twins)	
	20201.0750	-	1	Tank Heater, 3500W 240V (Single CW-35, 1 gallon model only Will not fit standard CW)	
	20941.1000	-	1	Tank Heater, 3500W 200V (CWTFB-35)	
	23929.1000	2	-	Tank Heater, 1600W 200V (CWTFB-2/2 Twin)	
	24217.1000	2	-	Tank Heater, 1800W 230V (CWTF-2/2 Twin)	
	23930.1000	2	-	Tank Heater, 3000W 240V (Twins-GE)	
14	00943.0000	4	2	Gasket, Tank Heater	
15	00942.0000	4	2	Nut, Brass .5"-20 (Tank Heater)	
16	11431.0002	2	1	Sprayhead Tube Kit (Includes 3 mounting nuts below & # 17 & 18)	
	00908.0000	6	3	Nut, Hex #8-32	
17	05515.0000	2	1	Gasket, Sprayhead tube	
18	05518.0000	2	1	Hub, Syphon	

Continued on next page



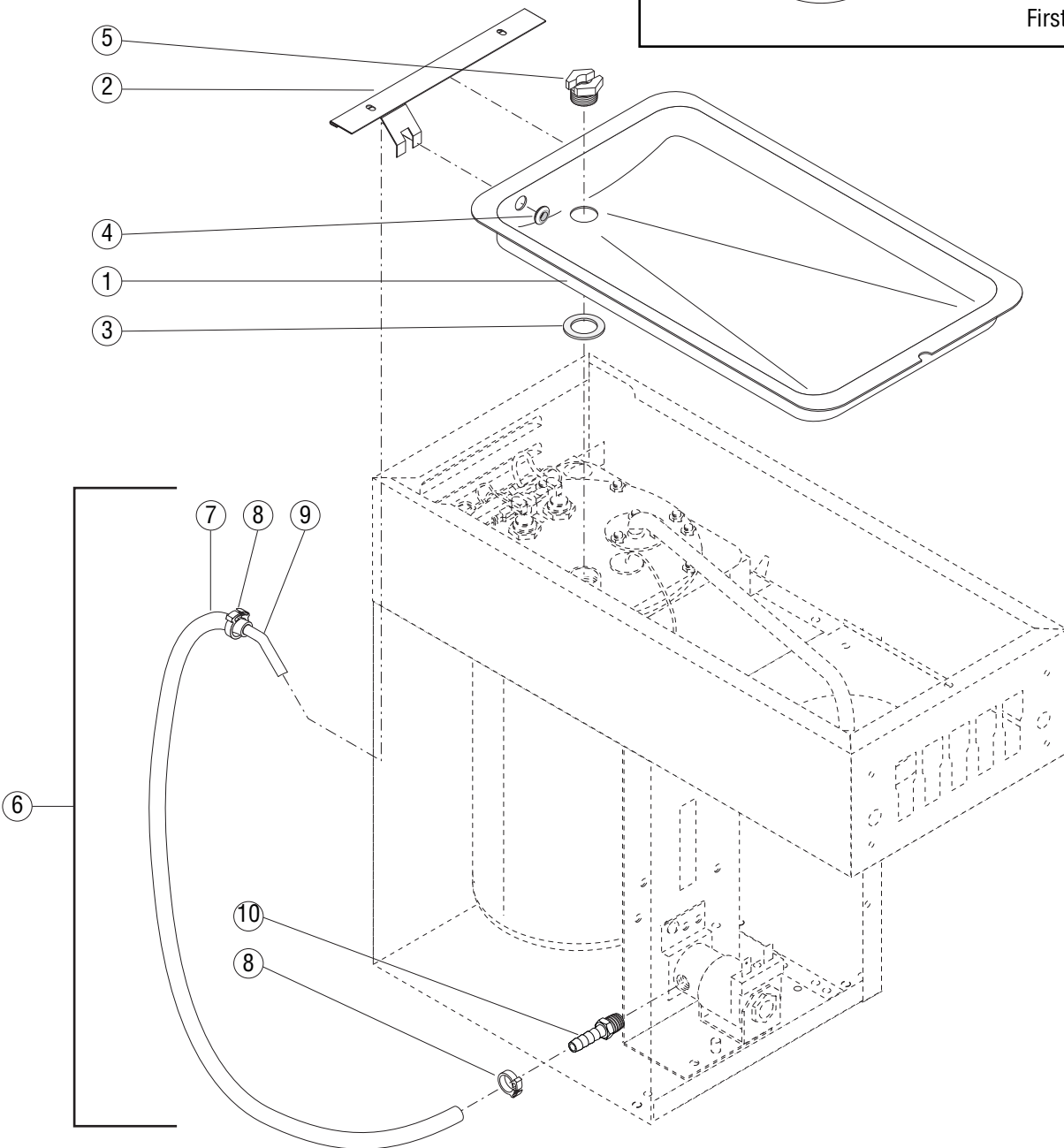
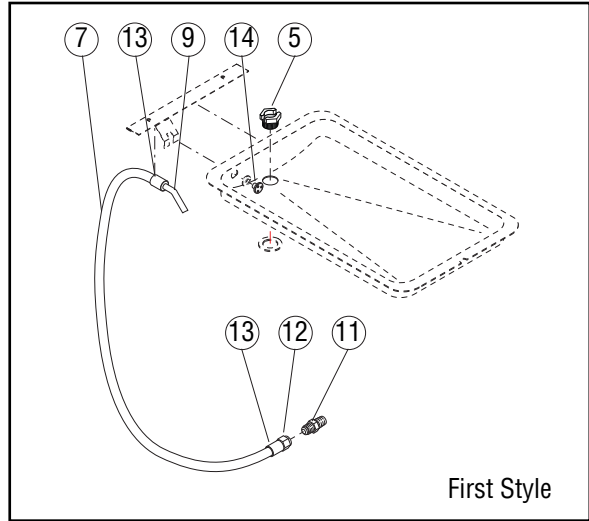
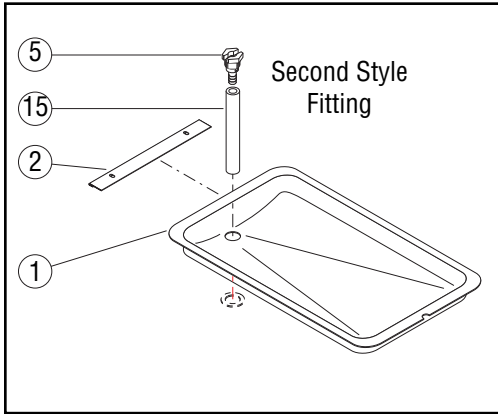
TANK AND COMPONENTS

ITEM	PART NO.	QTY. TWIN	QTY. SINGLE	DESCRIPTION
19	01075.0000	2	1	Nut, Hex .438"-20, Sprayhead tube
20	01082.0000	2	1	Sprayhead, 6-Hole (6-.078 Standard)
	01082.0004	2	1	Sprayhead, 5-Hole (5-.070 Optional)
	01082.0005	2	1	Sprayhead, 5-Hole (5-.057 Optional)
	01082.0007	2	1	Sprayhead, 1-Hole (1-.182 Pouch-Pack Funnel)
21	28242.0000	-	1	Lead, Electrical WHI (Tank Heater Jumper)
22	28173.0000	-	1	Thermal Cut Off (Tank Heater to Upper Terminal Block)
23	28174.0000	-	1	Thermal Cut Off Harness (Tank Heater to Upper Terminal Block)
24	28226.1000	-	1	Tank Heater, 1320W 120V (MV/DV Only)
25	51753.0002	1	1	Bracket, Thermostat Retainer (New style coil faucet only)
The Following Items Are Not Illustrated				} Includes # 1 & 2
26	22918.0000	-	1	
	22918.0001	-	1	TCO 291°C Male - Female (CE)
27	04776.0000	-	1	TCO 128°C Male - Female (CE)
	20211.0100	-	1	TCO 167°C Female - Female BLK (CE)
28	04119.0000	1	1	Tank with Blanket Warmer, 120V
	04133.0000	1	1	Tank with Blanket Warmer, 220V
29	25319.1000	-	1	Tank Assy, 1320W 120V (Includes # 1-5,9,10,13-18) without Faucet
	25319.1001	-	1	Tank Assy, 1800W 120V (Includes # 1-5,9,10,13-18) without Faucet
	25319.1002	1	1	Tank Assy, 3500W 120/240V (Includes # 1-5,9,10,13-18) without Faucet
	25319.1010	1	-	Tank Assy, 3000W 120/240V (Includes # 1-5,9,10,13-18) without Faucet
	-----	-	1	Tank Assy, 1850W 220V (Includes # 1-5,9,10,13-18) without Faucet
	-----	1	1	Tank Assy, 3500W 240V (Includes # 1-5,9,13-18) without Faucet
	25320.1000	-	1	Tank Assy, 1320W 120V (Includes # 1-11,13-18) with Faucet
	25320.1001	-	1	Tank Assy, 1800W 120V (Includes # 1-11,13-18) with Faucet
	25320.1002	1	1	Tank Assy, 3500W 240V (Includes # 1-11,13-18) with Faucet
	25320.1007	1	1	Tank Assy, 3000W 120/240V (Includes # 1-11,13-18) with Faucet
	25320.1012	-	1	Tank Assy, 3500W 240V (Includes # 1-11,13-18) with Faucet
	25320.1017	-	1	Tank Assy, 1320/1800W DV (Includes # 1-11,13-18, 24-25) with Faucet



FILL BASIN AND LINES

C/CT/CWTF
Series



FILL BASIN AND LINES

ITEM	PART NO.	QTY. TWIN	QTY. SINGLE	DESCRIPTION
1	04270.0002	2	1	Fill Basin (Automatics)
	04270.0000	-	1	Fill Basin (Pour Overs)
2	27514.0000	2	1	Plate, Splash Guard (Automatics and Early Model Pour Overs)
	11424.0000	-	1	Plate, Splash Guard (Late Model Pour Overs)
3	01201.0000	2	1	Gasket, Tank Inlet
4	12928.0000	2	1	Grommet, Pour-In Basin (Automatics and Early Model Pour Overs)
5	01200.0000	2	1	Fitting, Tank Inlet .562" Opening (First Style)
	32063.0000*	2	1	Fitting, Tank Inlet .312" Opening (Second Style) (Obsolete)
	01212.0000	2	1	Fitting, Tank Inlet .382" Opening (Third Style)
	01212.0001*	2	1	Fitting, Tank Inlet Tapered Opening (Obsolete)
6	12914.0002	2	1	Tube Assy. Fill 21.5" Second Style (Includes # 4, 7-10)
7	11707.0003*	2	1	Tube, .25" Dia. x 21.5" (Order # 16)
8	12422.0000	4	2	Clamp, SNP - 6
9	12913.0000	2	1	Tube
10	22397.0001	2	1	Fitting, .25" Barb x .125" MPT (Late Models)
11	00402.0001	2	1	Fitting, .25" Flare x .125" MPT (Early Models)
12	00425.1000	2	1	Fitting, Swivel Nut
13	00419.0000	4	2	Ferrule, Crimp Type .25"
14	01426.0000*	-	1	Weld Pin, .25" Dia. (Early Model Pour Overs Only)
15	28526.0021*	2	1	Tube, .313" Dia. x 4.0" (Order 17)

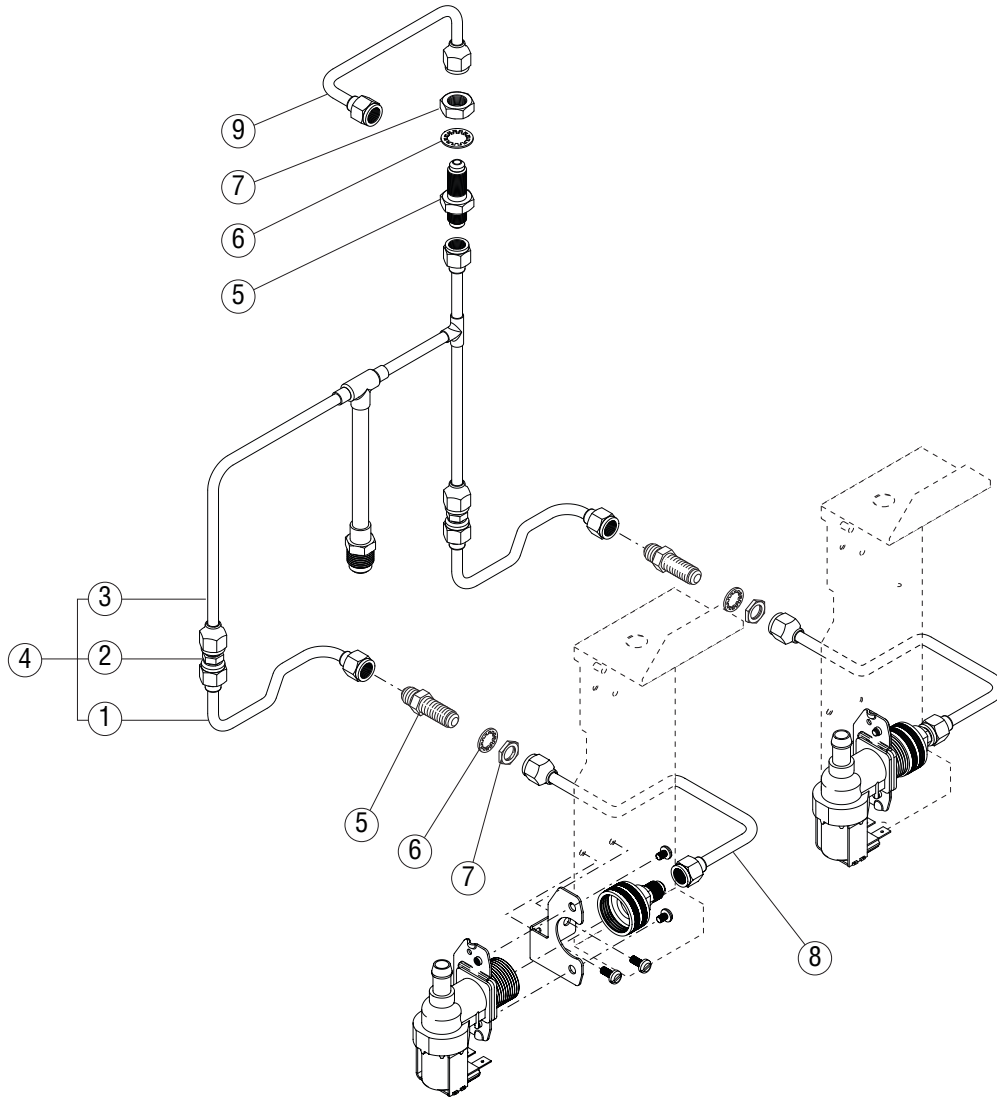
The Following Items Are Not Illustrated

16	11707.1000	-	-	Tube, .25" Dia. x 12"
	11707.1001	-	-	Tube, .25" Dia. x 36"
	11707.1002	-	-	Tube, .25" Dia. x 120"
17	28526.1000	-	-	Tube, .313" Dia. x 12"
	28526.1001	-	-	Tube, .313" Dia. x 36"
	28526.1002	-	-	Tube, .313" Dia. x 60"
	28526.1003	-	-	Tube, .313" Dia. x 120"



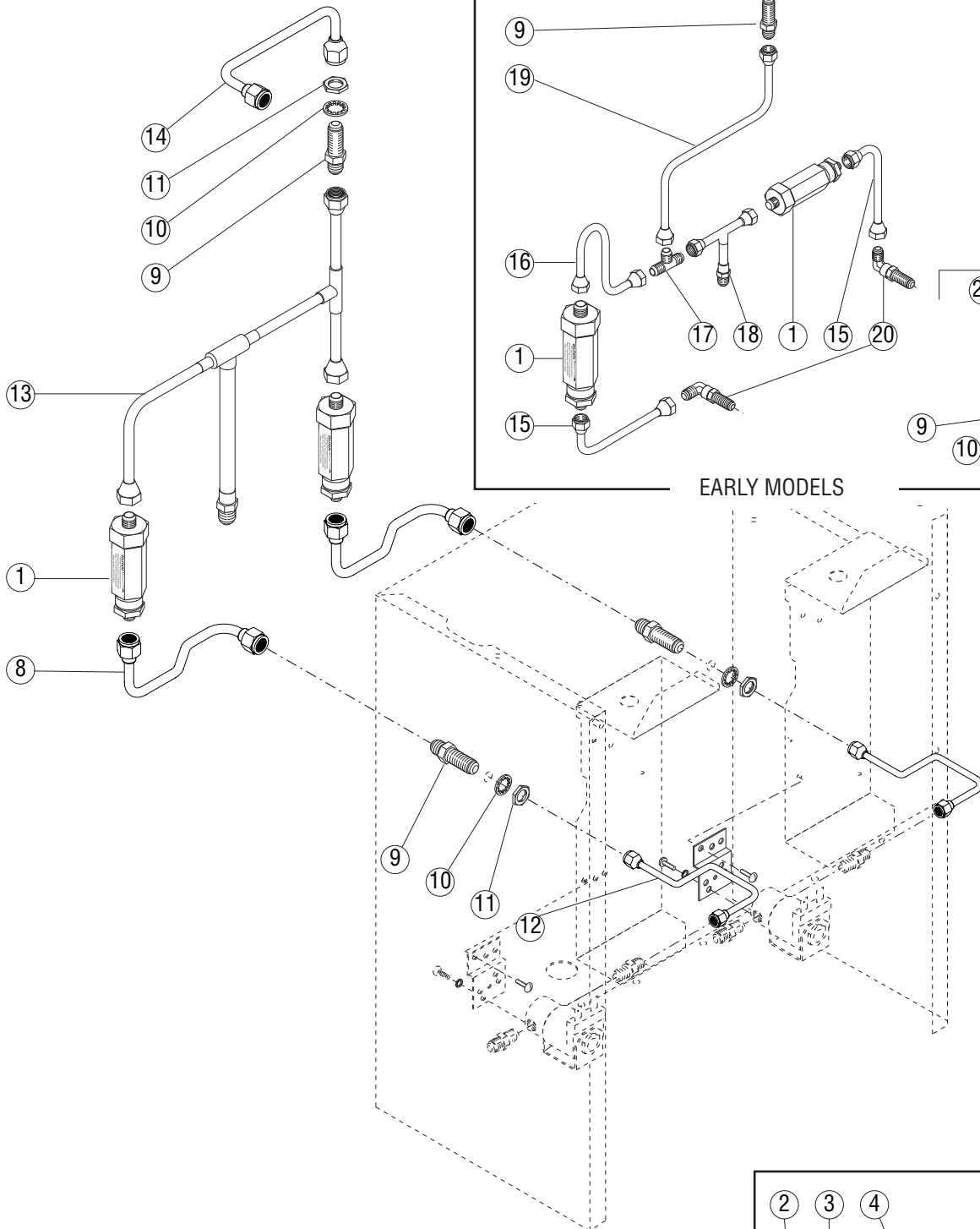
MANIFOLD AND LINES - LATER TWINS

C/CT/CWTF
Series



MANIFOLD AND LINES - LATER TWINS

ITEM	PART NO.	QTY. TWIN	QTY. SINGLE	DESCRIPTION
1	33643.0000	2	-	Tube, Manifold to Bulkhead
2	00436.0001	2	-	Union, Tn PI-.250 Flare Male
3	41268.0000*	1	-	Tube Assy, Manifold (Not available, order item 4)
4	41267.0000	1	-	Tube Assy, Manifold (Late Models)
5	00459.0000	3	-	Fitting, Bulkhead .250" Flare
6	01532.0000	3	-	Lockwasher, Internal Tooth .438" I.D.
7	00463.0000	3	-	Nut, Hex .438"-20
8	41281.0000	2	-	Tube, Bulkhead to Solenoid
9	23413.0000	1	-	Tube Assy, Bulkhead to Coil (Faucet)



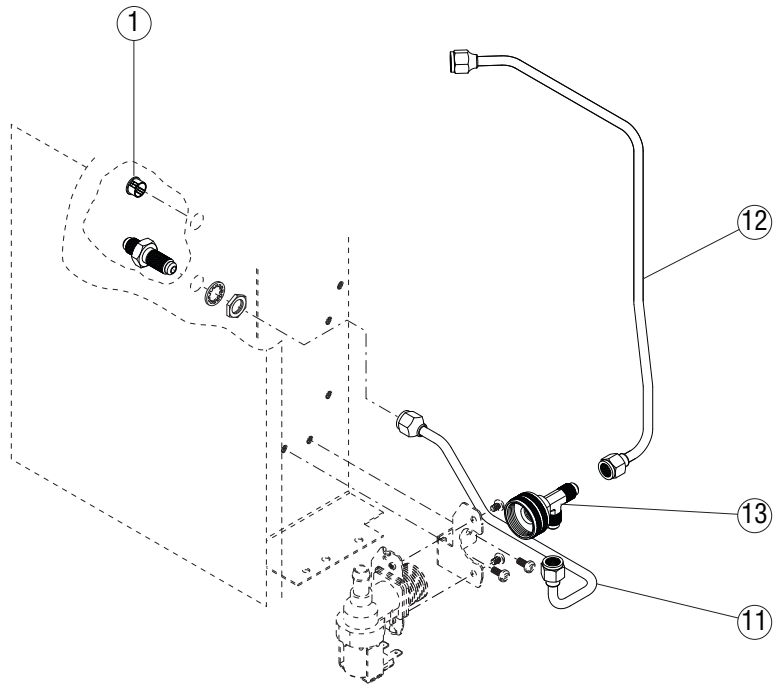
EARLY MODELS

STRAINER/FLOW CONTROL AND LINES - EARLY TWINS

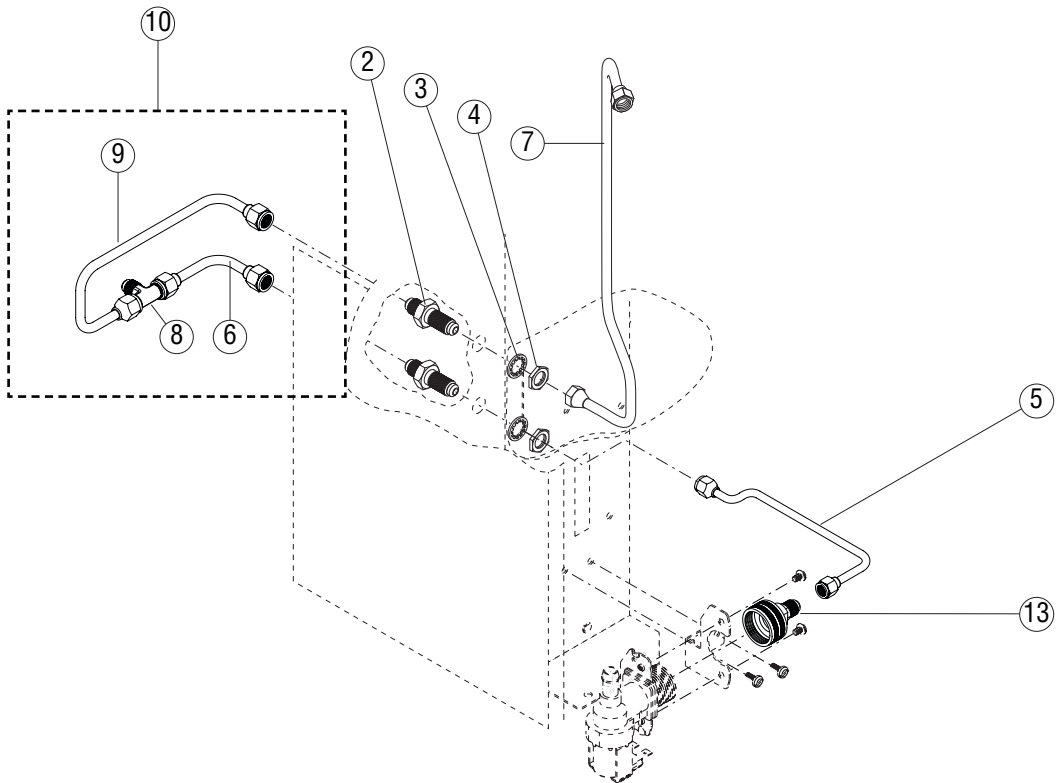
ITEM	PART NO.	QTY. TWIN	QTY. SINGLE	DESCRIPTION
1	22300.0222	2	1	Strainer/Flow Control Assy .222 GPM (Includes # 2 - 7)
2	22249.0000	2	1	Cap
3	23721.0000	2	1	Screen
4	22312.0000*	2	1	Housing (Order # 1)
5	20526.1222	2	1	Flow Washer/Gasket Set, .222 GPM (Includes # 6)
6	01155.0000	2	1	Gasket
7	01154.0000	2	1	Fitting, Flow Control Outlet
8	33643.0000	2	-	Tube, Strainer/Flow Control to Bulkhead (Late Models)
9	00459.0000	3	1	Fitting, Bulkhead .250" Flare
10	01532.0000	3	1	Lockwasher, Internal Tooth .438" I.D.
11	00463.0000	3	1	Nut, Hex .438"-20
12	41281.0000	2	-	Tube, Bulkhead to Solenoid
13	33637.0000	1	-	Tube Assy, Manifold (Late Models)
14	23413.0000	1	-	Tube Assy, Bulkhead to Coil (Late Models)
15	21814.0011	2	-	Tube Assy, Strainer/Flow Control to Bulkhead Fittings (Early Models)
16	26318.0000	1	-	Tube Assy, Tee to Left Strainer/Flow Control (Early Models)
17	20577.0001	1	-	Tee .25" Flare (Early Models)
18	24220.0000	1	-	Tube Assy (Early Models)
19	26301.0000	1	-	Tube Assy, Tee to Bulkhead (Early Models)
20	23924.0000	2	-	Fitting Assy, 90° Bulkhead .250" Flare (Early Models)
21	23925.0000	2	-	Elbow, 90° Tube .25"OD to .25" Fem Flare
22	24684.0000	2	-	Gasket, .25" Flare (Copper)



3rd STYLE

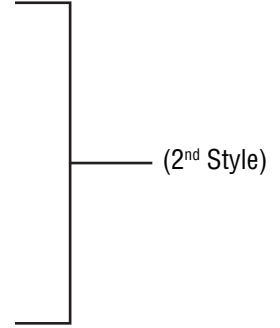


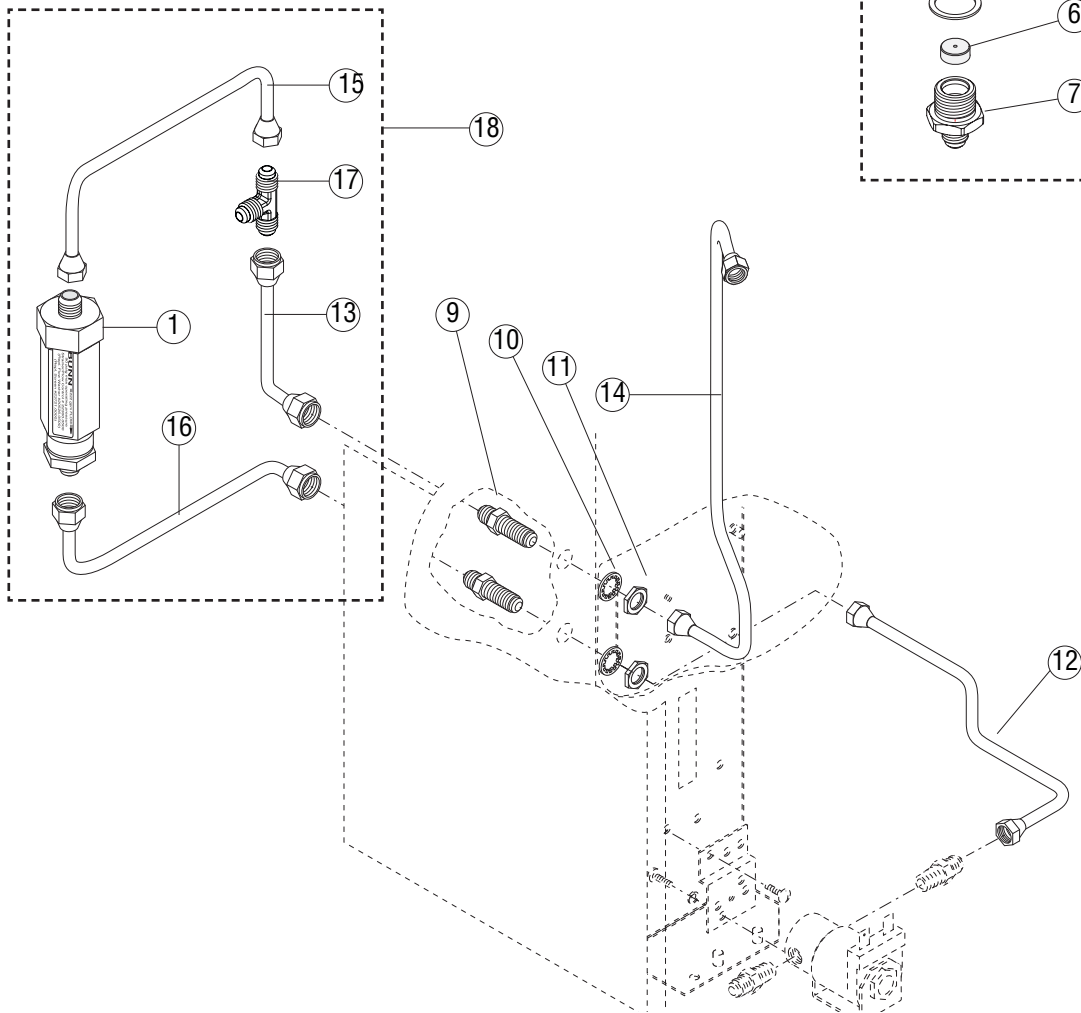
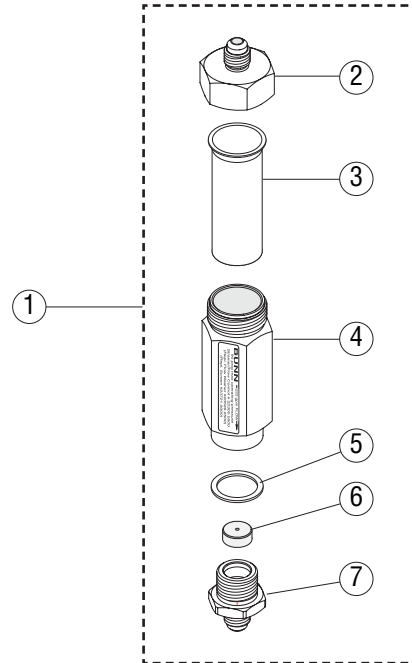
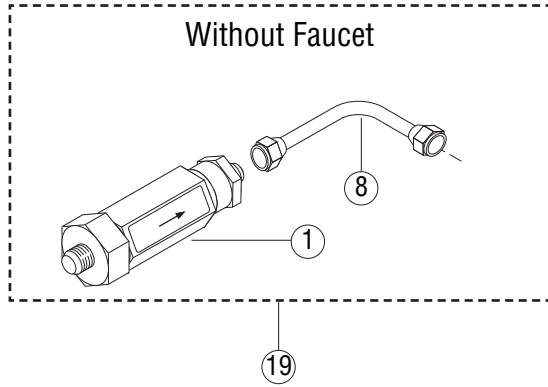
2nd STYLE



MANIFOLD ASSEMBLIES - LATER SINGLES

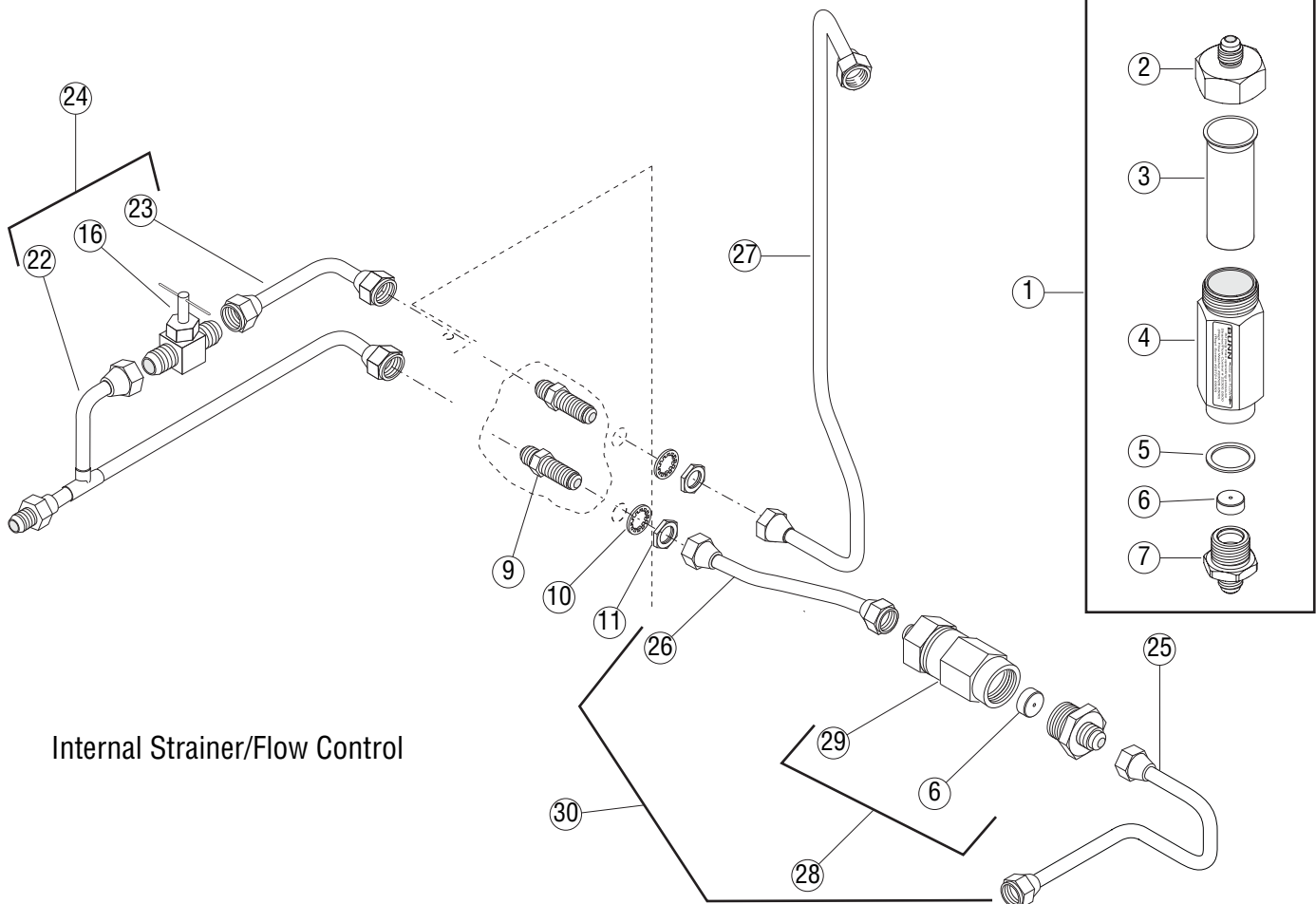
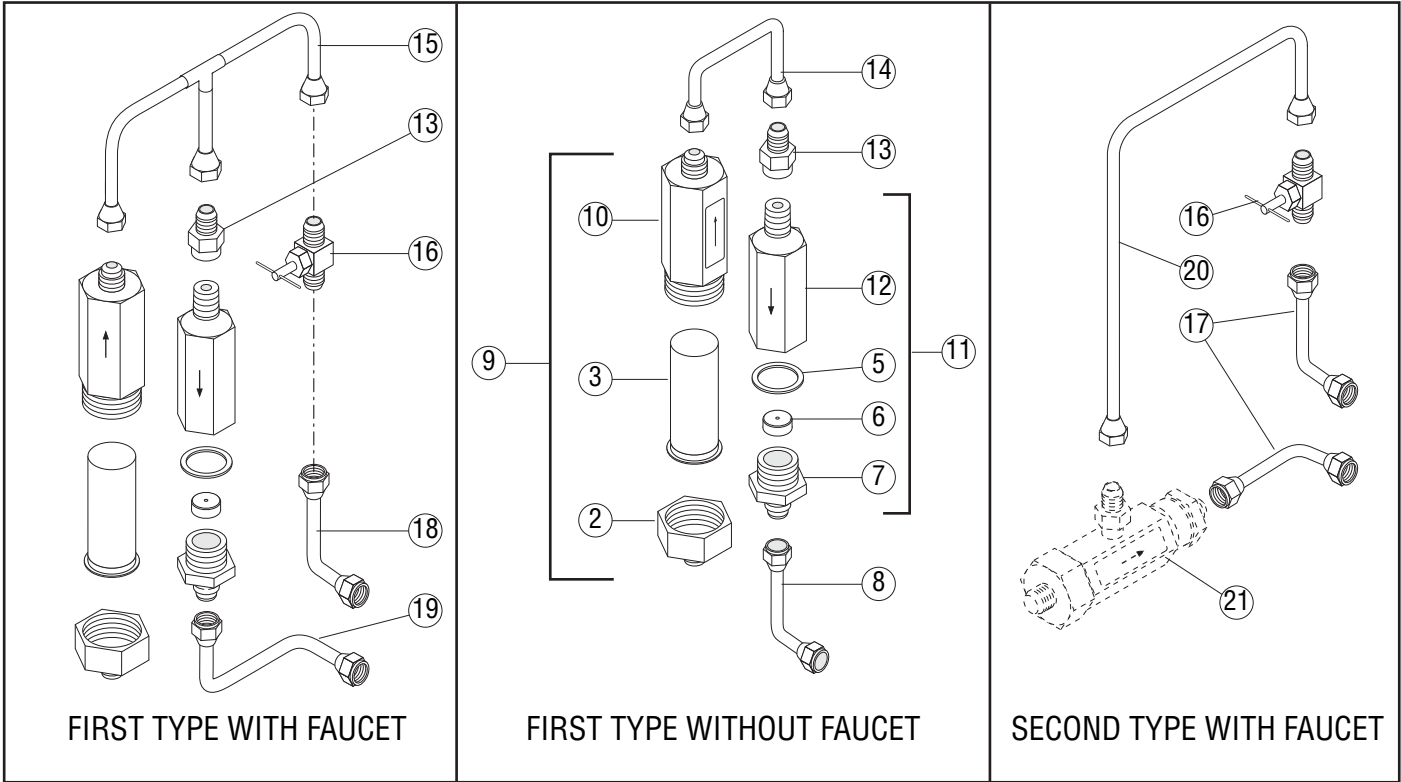
ITEM	PART NO.	QTY. TWIN	QTY. SINGLE	DESCRIPTION
1	00669.0003	-	1	Plug, Hole-Nylon Blk .43 Hole Dia
2	00459.0001	-	1	Fitting, Bulkhead .250" Flare (1 Additional used on 2 nd Style)
3	01532.0000	-	1	Lockwasher, Internal Tooth .438" I.D. (1 Additional used on 2 nd Style)
4	00463.0000	-	1	Nut, Hex .438"-20 (1 Additional used on 2 nd Style)
5	41252.0000	-	1	Tube, Bulkhead to Solenoid
6	21814.0016	-	1	Tube
7	20690.0000	-	1	Tube Assy, Bulkhead to Coil
8	20577.0001	-	1	Tee .25" Flare
9	41257.0000	-	1	Tube Assy,
10	41254.0000	-	1	Tube Assy,
11	41252.0001	-	1	Tube Assy, Bulkhead To Tee (3 rd Style)
12	20690.0003	-	1	Tube Assy, Tee To Tank Coil (3 rd Style)
13	37297.1002	-	1	Fitting, 1/4" Flare X 3/4" Feathered (2 nd Style)
	37297.1005	-	1	Tee, .125 Mpt X .75 Hose (3 rd Style)





STRAINER/FLOW CONTROL - SECOND STYLE SINGLES

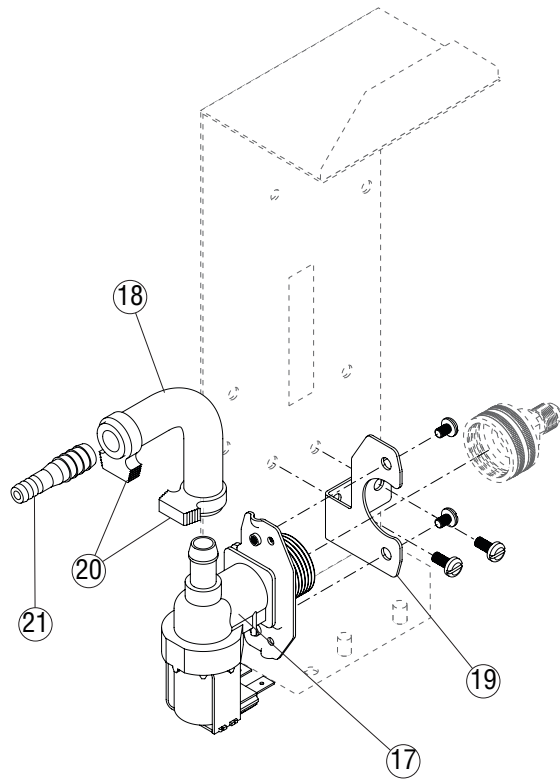
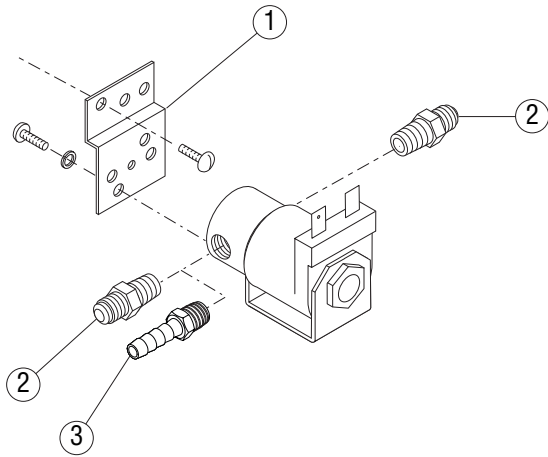
ITEM	PART NO.	QTY.		DESCRIPTION
		TWIN	SINGLE	
1	22300.0222	2	1	Strainer/Flow Control Assy .222 GPM (Includes # 2 - 7)
2	22249.0000	2	1	Cap
3	23721.0000	2	1	Screen
4	22312.0000*	2	1	Housing (Order # 1)
5	01155.0000	2	1	Gasket
6	20526.1222	2	1	Flow Washer/Gasket Set, .222 GPM (Includes # 5)
7	01154.0000	2	1	Fitting, Flow Control Outlet
8	00310.0000	-	1	Tube, Strainer/Flow Control to Bulkhead
9	00459.0000	3	1	Fitting, Bulkhead .250" Flare
10	01532.0000	3	1	Lockwasher, Internal Tooth .438" I.D.
11	00463.0000	3	1	Nut, Hex .438"-20
12	41252.0000	-	1	Tube, Bulkhead to Solenoid
13	21814.0016	1	-	Tube
14	20690.0000	-	1	Tube Assy, Bulkhead to Coil
15	26216.0000	-	1	Tube Assy,
16	26217.0000	-	1	Tube Assy
17	20577.0001	1	-	Tee .25" Flare
18	24394.0222	1	-	Manifold Assy (With Faucet)
19	24356.0222	1	-	Manifold Assy (Without Faucet)



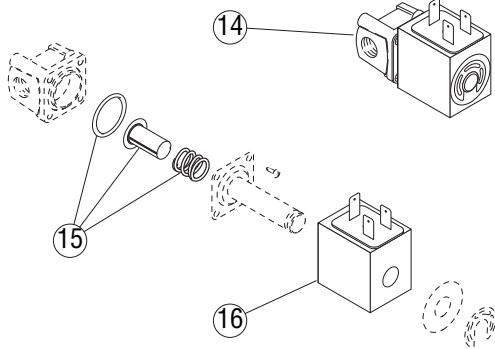
P3917

STRAINER/FLOW CONTROL - FIRST STYLE SINGLES

ITEM	PART NO.	QTY.	QTY.	DESCRIPTION
		TWIN	SINGLE	
1	22300.0222	2	1	Strainer/Flow Control Assy. .222 GPM (Includes # 2 - 7)
2	22249.0000	2	1	Cap
3	23721.0000	2	1	Screen
4	22312.0000*	2	1	Housing (Order # 1)
5	01155.0000	2	1	Gasket
6	20526.1222	2	1	Flow Washer/Gasket Set, .222 GPM (Includes # 5)
7	01154.0000	2	1	Fitting, Flow Control Outlet
8	00310.0000	-	1	Tube Assy. Strainer/Flow Control to Bulkhead
9	23820.1000	-	1	Strainer Assy. .250" Flare (Includes # 2,3,10)
10	23819.0000*	-	1	Housing (Order # 9)
11	20528.1222	-	1	Flow Control Assy. .222 GPM (Includes # 5,6,7,12)
12	20527.0001*	-	1	Housing (Order # 11)
13	00445.0001	-	1	Connector, .250" Flare x .125" FPT
14	04572.0000	-	1	Tube Assy.
15	12909.0000	-	1	Tube Assy. Manifold
16	00484.0001	-	1	Needle Valve, .25" Flare
17	21812.0002	-	2	Tube Assy.
18	00310.0002	-	1	Tube Assy.
19	12908.0000	-	1	Tube Assy.
20	24393.0000	-	1	Tube Assy.
21	22312.0001*	-	1	Strainer/Flow Control Assy. NOT AVAILABLE (Refer to # 24394.0222)
22	20785.0000	-	1	Tube Assy. Manifold
23	21812.1006	-	1	Tube Assy.
24	20784.0000	-	1	Manifold/ Needle Valve Assy.
25	20786.1000	-	1	Tube Assy.
26	20782.1000	-	1	Tube Assy.
27	20690.0000	-	1	Tube Assy, Bulkhead to Coil
28	01148.0001	-	1	Strainer/Flow Control Assy. .222 GPM
29	01148.0000	-	1	Strainer/Flow Control Assy. .175 GPM
30	20783.0000	-	1	Strainer/Flow Control Assy. .222 GPM (Includes # 25,26,28)

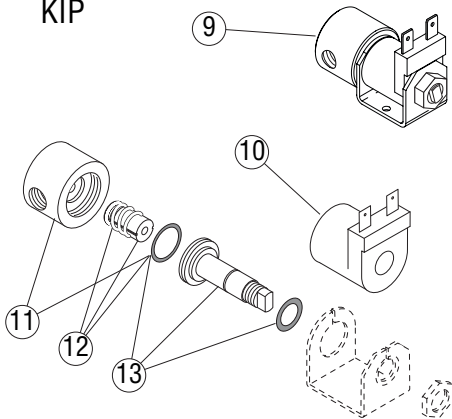


ASCO

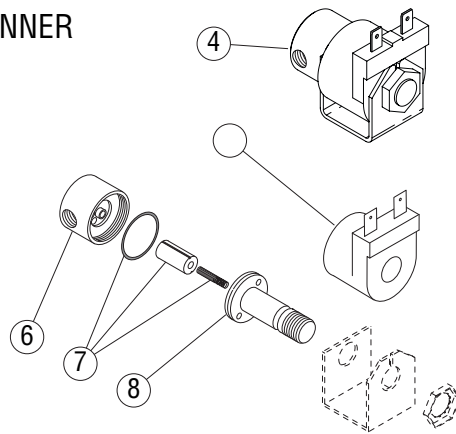


ELTEK

KIP

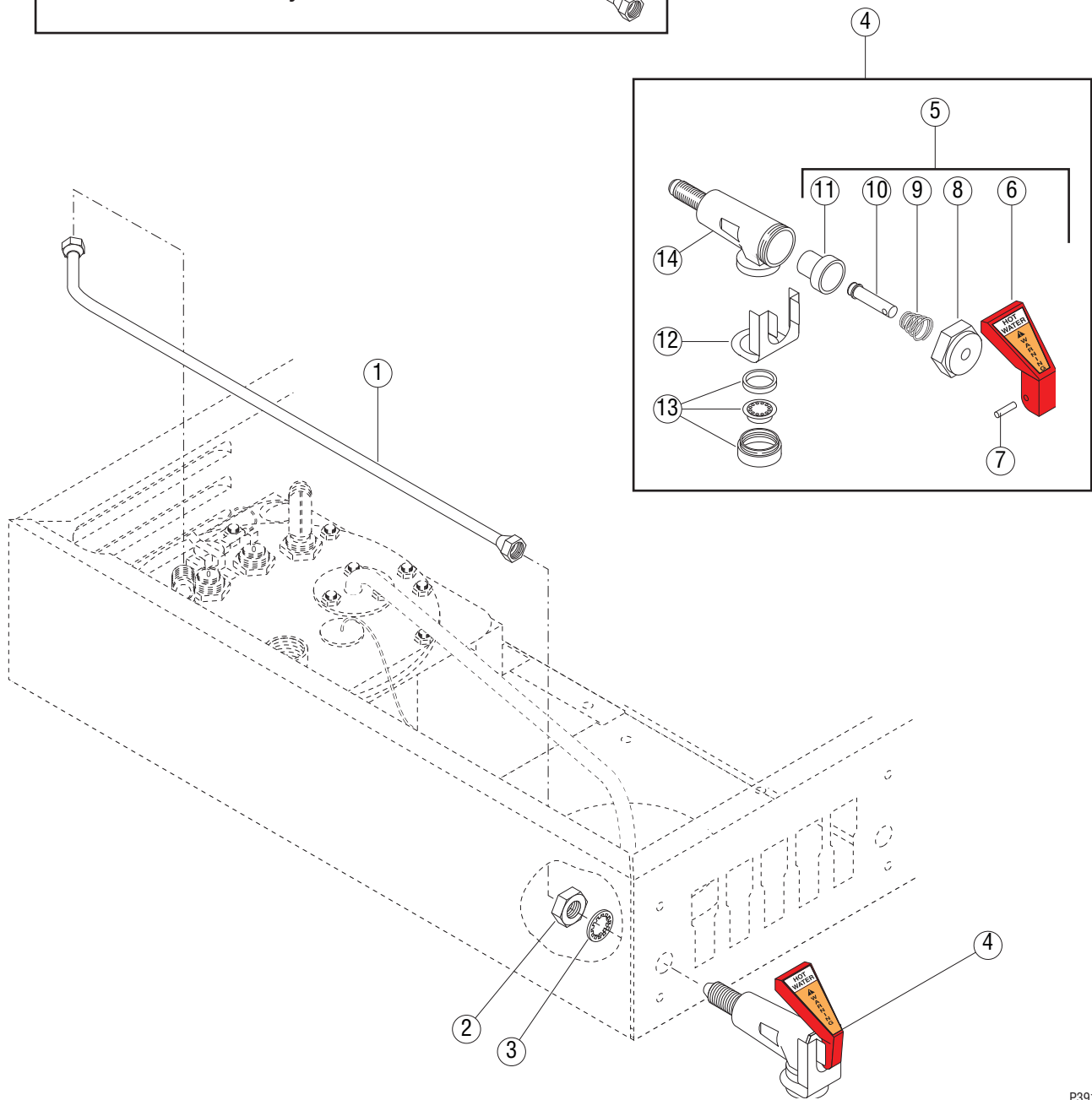
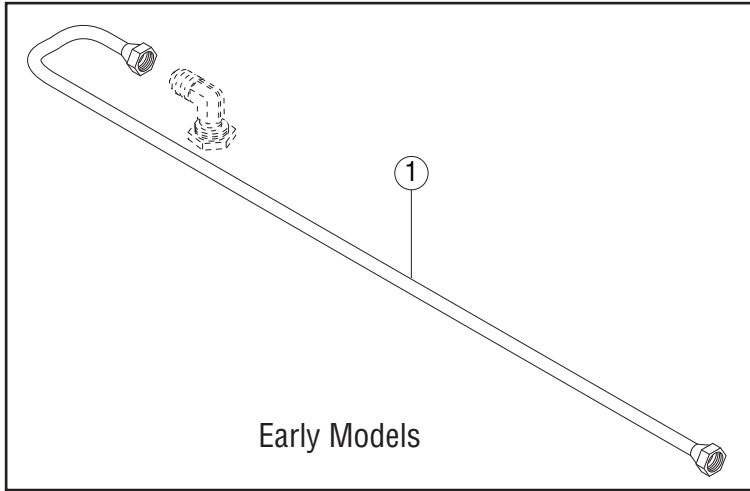


SKINNER



FILL SOLENOIDS

ITEM	PART NO.	QTY.		DESCRIPTION
		TWIN	SINGLE	
1	07441.0000	2	1	Bracket, Solenoid Mounting
	02308.0000	4	2	Screw, #8-32 X .375" (Bracket - Bracket)
	01327.0000	4	2	Screw, Pan Head #10-32 x .375" (Bracket - Solenoid)
	01502.0000	4	2	Lockwasher, Split #10 (Bracket - Solenoid)
2	00402.0001	2	1	Connector, Male .25" Flare x .125" MPT (2 Used On Early Models)
3	22397.0001	2	1	Fitting, .25" Barb x .125" MPT (Current Models)
4	01085.0000	2	1	Solenoid Valve, 120V - 1.48" Dia Coil
	01975.0000	2	1	Solenoid Valve, 240V - 1.48" Dia Coil
	21180.0000	2	1	Solenoid Valve, 200V - 1.48" Dia Coil
5	01100.0000	2	1	Coil - 240V
	01101.0000	2	1	Coil - 120V
	21181.0000	2	1	Coil - 200V
6	01079.0000	2	1	Base
7	01111.0000	2	1	Repair Kit
8	01116.0000	-	1	Guide
9	01085.0002	2	1	Solenoid Valve, 120V - 1.0" Dia Coil
10	28480.0000	2	1	Coil - 120V
11	28479.0000	1	1	Solenoid Valve Base Kit - 1" Dia Coil (Includes O-ring)
12	01111.0002	1	1	Repair Kit - 1" Dia Coil (Includes Plunger, Spring and O-ring)
13	28481.0000	1	1	Guide Kit - 1" Dia Coil (Includes Washer & O-ring)
14	28005.0000	2	1	Solenoid Valve, 240V
15	28021.0000	2	1	Repair Kit
16	28020.0000	2	1	Coil - 240V
17	42025.0000	2	1	Kit, Universal Replacement Solenoid, 120V
	42025.0001	2	1	Kit, Universal Replacement Solenoid, 230V
	41255.0002	-	1	Solenoid Valve 200V
	41255.0003	-	1	Solenoid Valve 100V
	32283.0000	4	2	Screw, Sst Sltd Pnh M4 X 6MM
	41935.0000	2	1	Kit, Solenoid Retrofit, 120V (Includes 17 - 22)
	41935.0001	2	1	Kit, Solenoid Retrofit, 230V (Includes 17 - 22)
	46884.0000	2	1	Strainer
18	20976.0006*	2	1	Tube, Silicone .38ID x .62OD x 4.50 (Order # 22)
19	41256.0000	2	1	Bracket
	02308.0000	4	2	Screw, #8-32 X .375" (Bracket - Bracket)
20	12422.0001	4	2	Clamp, SNP - 10
21	26443.0001	2	1	Reducer, SST Hose Barb .38X.25
The Following Items Are Not Illustrated				
22	20976.1000	-	-	Tube, .375" ID x 12" (Use as required)
	20976.1001	-	-	Tube, .375" ID x 36" (Use as required)
	20976.1002	-	-	Tube, .375" ID x 120" (Use as required)



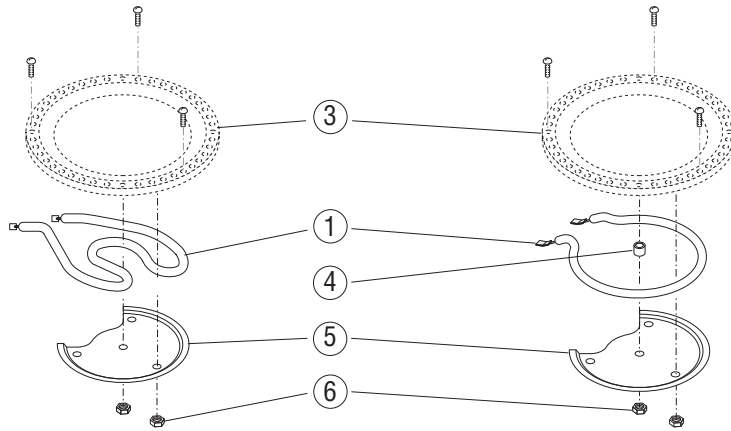
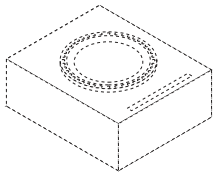
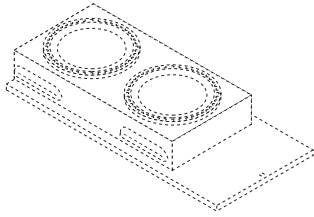
FAUCET AND TUBING

ITEM	PART NO.	QTY.	QTY.	DESCRIPTION
		TWIN	SINGLE	
1	20691.0001	1	1	Tube Assembly, Coil to Faucet (Early Models)
	20691.0000	1	1	Tube Assembly, Coil to Faucet (Late Models)
2	00463.0000	1	1	Faucet Jam Nut
3	01532.0000	1	1	Lockwasher, Internal Tooth .438" I.D.
4	12915.0000	1	1	Faucet, Hot Water (Includes items 5 thru 14)
5	13061.0000	1	1	Faucet Handle/Stem Assembly (Includes items 6 thru 11)
6	13053.0000	1	1	Faucet Handle Kit (Includes item 7)
7	02858.0000	1	1	Pin, Spring .125" Dia x .50"
8	13060.0000	1	1	Faucet Bonnet Nut
9	13055.0000	1	1	Faucet Spring
10	13054.0000	1	1	Faucet Stem
11	13056.0000	1	1	Faucet Seat Cup
12	13057.0000	1	1	Faucet Safety Clip
13	13058.0000	1	1	Kit, Faucet Aerator
14	35129.0000	1	1	Body, Faucet (Not available. Order item 4)



UPPER & SIDE HOUSING WARMERS

(A)

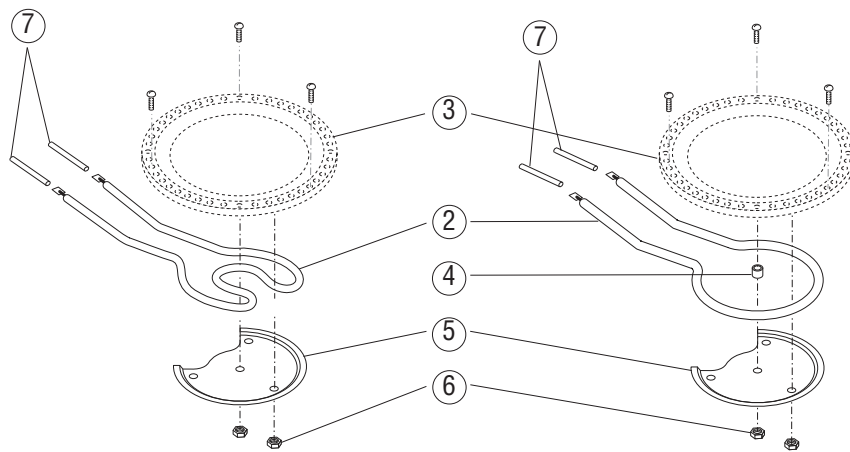
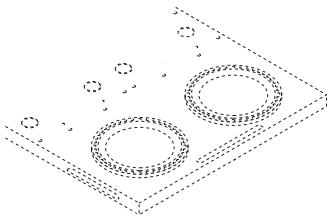
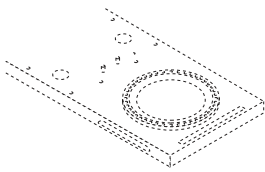


'A' & 'B' MODELS ONLY

120V & 120/240V MODELS ONLY

BASE WARMERS

(B)



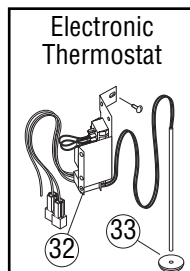
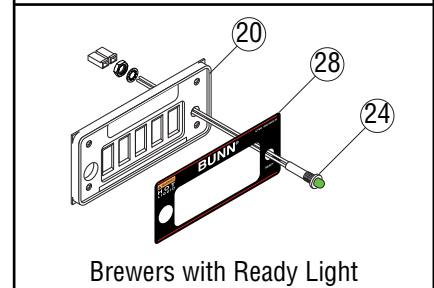
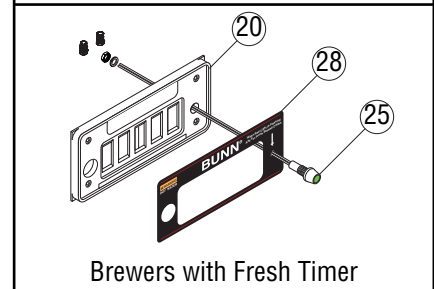
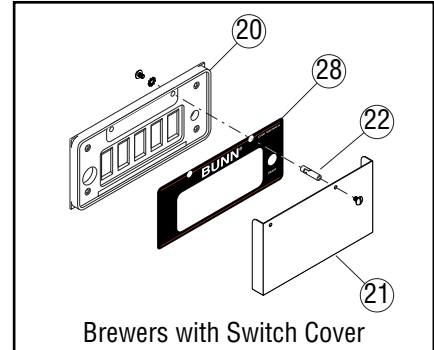
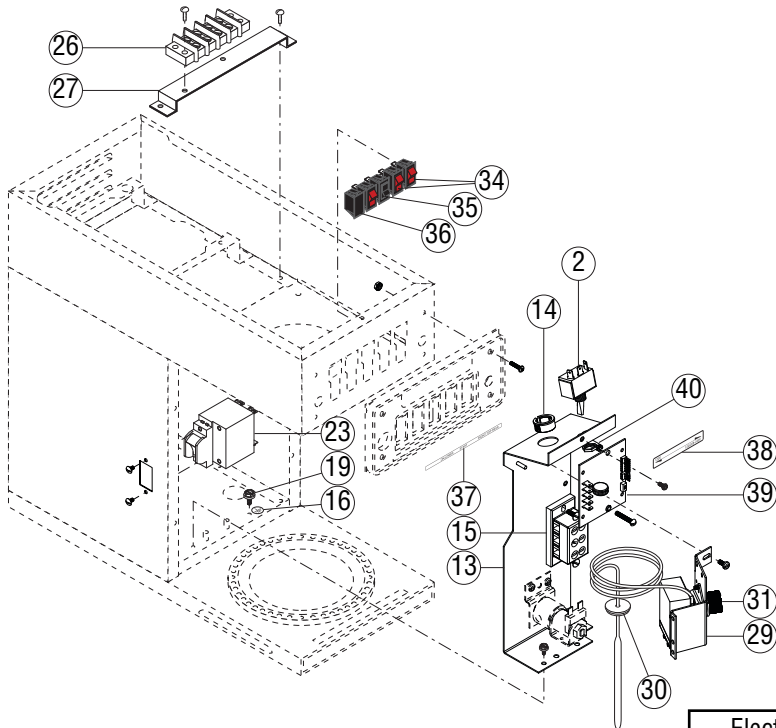
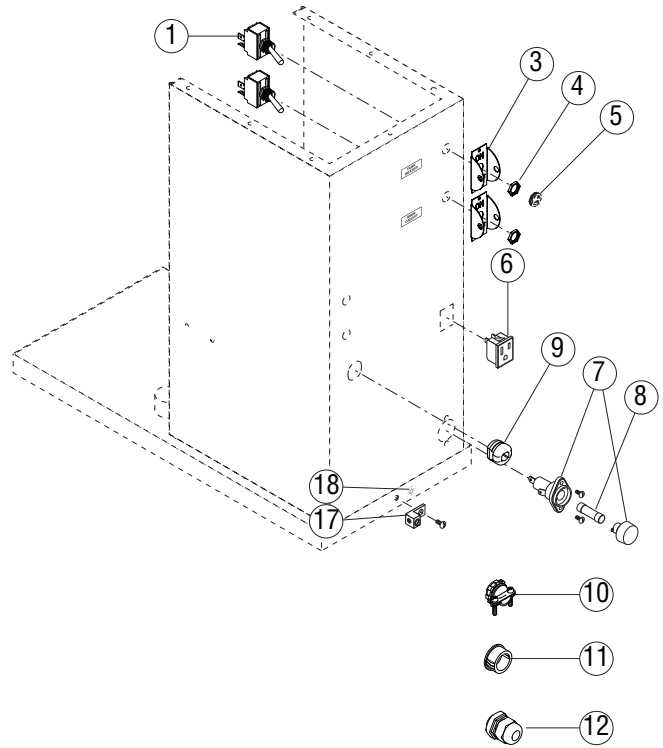
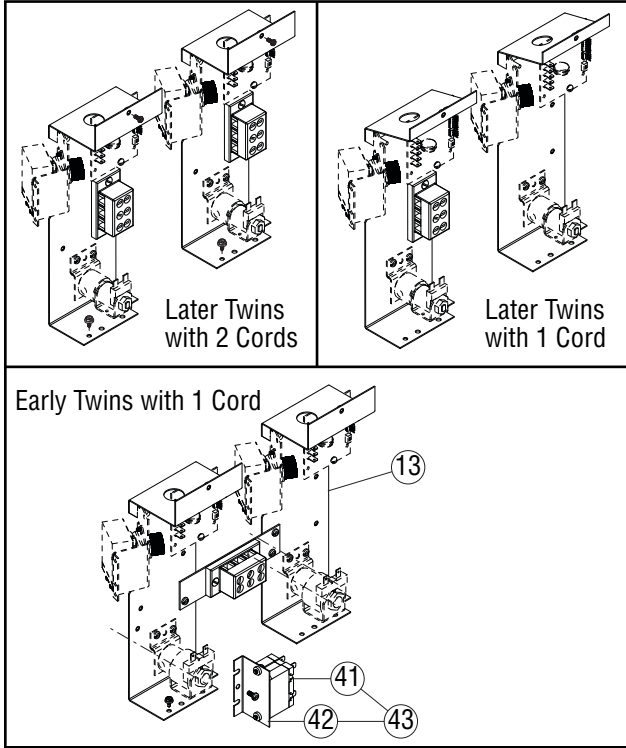
'A' & 'B' MODELS ONLY

120V & 120/240V MODELS ONLY

WARMER ASSEMBLIES

ITEM	PART NO.	QTY. TWIN	QTY. SINGLE	DESCRIPTION	
A	03652.0000	1		Warmer Assembly 120V, Top & Side Warmers (Includes items 1, & 3 - 6)	
	11440.0009	1		Warmer Assembly 220V, Top & Side Warmers (Includes items 1, 3, 5, & 6)	
	11440.0011	1		Warmer Assembly 200V, Top & Side Warmers (Includes items 1, 3, 5, & 6)	
	01303.0000	3		Screw, Pan Head - SST #4-40 x .5"	
	00916.0000	3		Fastener, J-Type #4-40	
	1	01227.0000	1		Warmer Element 120V Top & Side Warmers
		01951.0000	1		Warmer Element 220V Top & Side Warmers ("A" Models)
		01951.0001	1		Warmer Element 200V Top & Side Warmers ("B" Models)
	B	11440.0005	1		Warmer Assembly 120V, Base Warmers (Includes items 2-7) (Single CW)
11440.0008		1		Warmer Assembly 220V, Base Warmers (Includes items 2, 3, 5, & 6)	
11440.0010		1		Warmer Assembly 200V, Base Warmers (Includes items 2, 3, 5, & 6)	
01303.0000		3		Screw, Pan Head - SST #4-40 x .5"	
00916.0000		3		Fastener, J-Type #4-40	
2		11442.0000	1		Warmer Element 120V Base Warmers (Single CW)
		11438.0000	1		Warmer Element 220V Base Warmers ("A" Models)
		11438.0001	1		Warmer Element 200V Base Warmers ("B" Models)
3		03656.0000	1		Warmer Dish, Blk 45 Hole
4	13042.0001	1		Spacer, (120V Models Only)	
5	05212.0000	1		Plate, Element Retaining	
6	00970.0000	2		Nut, Keps #8-32	
7	04828.0001*	2		Tube, Silicone .25" Dia x 1.875" LG. (Order Item 8)	
The Following Items Are Not Illustrated					
8	04828.1001	-		Tube, Silicone .25" Dia. x 24" LG (Use as required)	
9	24785.0002	1		Galley Kit, "C" Series, 3 Warmers	
10	21016.0011	1		Ground Wire, 15.0" LG.- Lower Warmer to Ground Screw	
11	21016.0012	1		Ground Wire, 10.0" LG.- Upper Warmer to Upper Warmer	
12	21016.0027	1		Ground Wire, 26.0" LG.- Lower Warmer to Ground Screw	

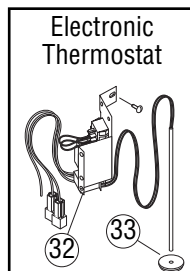
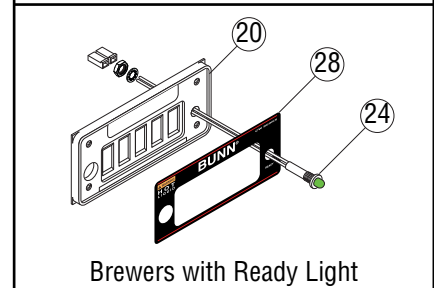
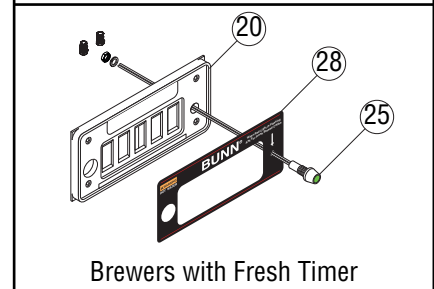
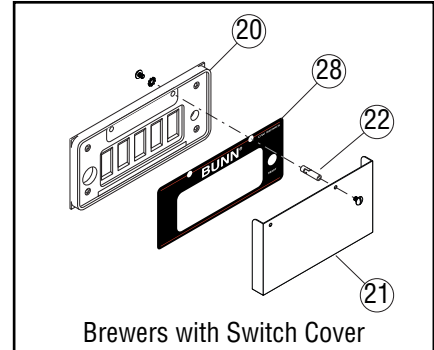
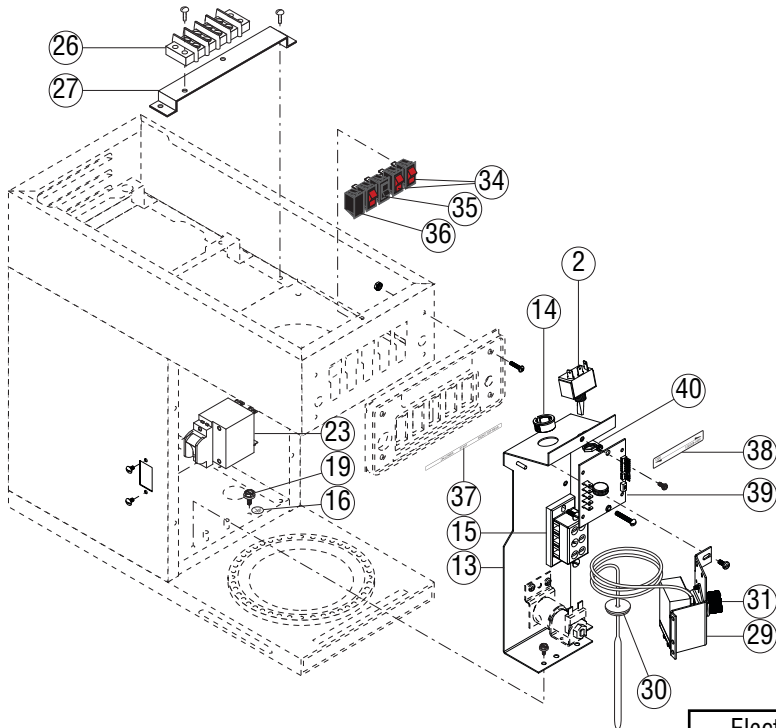
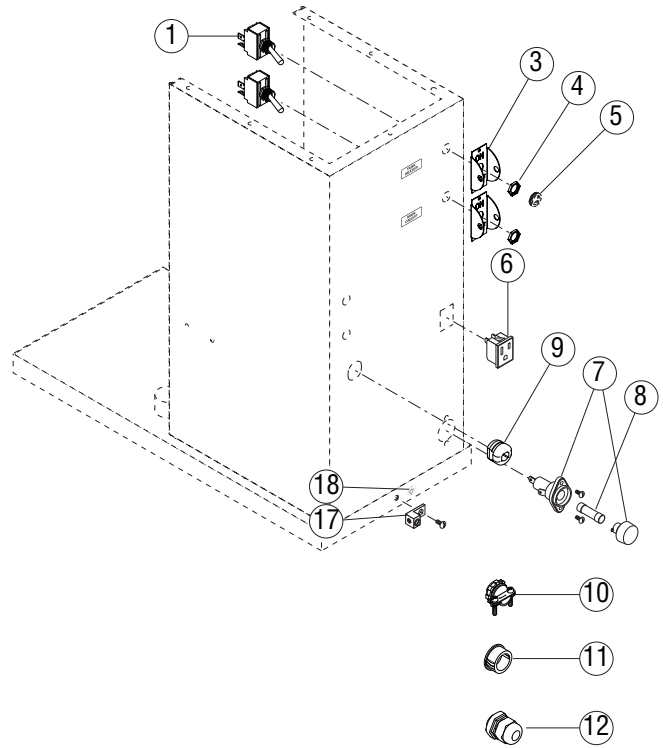
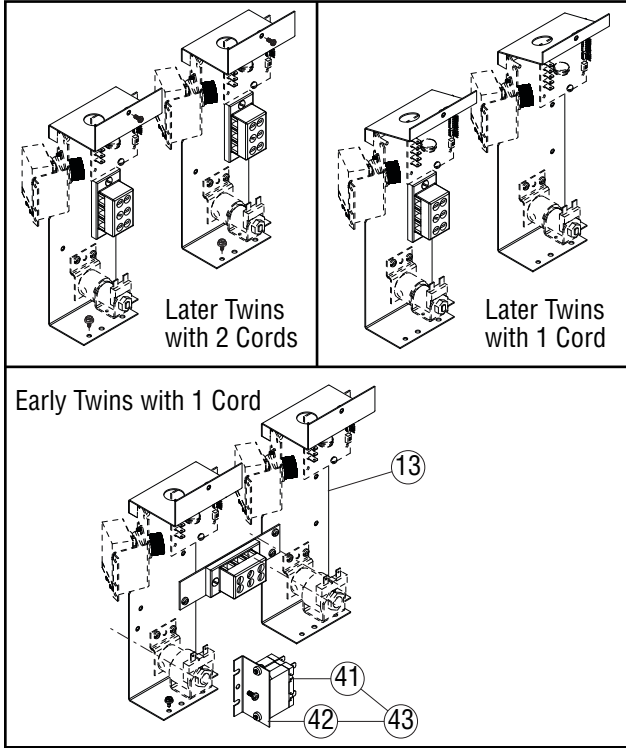
NOTE: All warmers listed above are rated @ 100 watts



ELECTRICAL AND OPERATING CONTROLS

ITEM	PART NO.	QTY.		DESCRIPTION
		TWIN	SINGLE	
1	28004.0000	-	2	Toggle Switch, (DPST) (Includes Hex Nut) (A Models)
	40763.0002	-	2	Toggle Switch, (DPST) (Includes Hex Nut) (4 Used on 0/6 Twin with 2 Cords)
2	23522.1001	-	1	Toggle Switch, (Dual Volt, SPDT) (Includes Hex Nut)
3	25102.0000	-	1	Bracket, Switch Guard (ON/OFF)
	25102.0001	-	1	Bracket, Switch Guard (I/O)
4	23696.0000	2	1	Hex Nut (2 Used on DV)
5	23697.0000	2	1	Plastic Face Nut
6	03628.0000	-	1	Receptacle, Grounded
7	28176.0000	-	1	Fuse Holder
	02308.0000	-	2	Screw, Pan Head #8-32 x .375"
8	22012.0002	-	1	Fuse, 20 amp
9	01686.0000	-	1	Bushing, Strain Relief (15A Models only)
10	01685.0000	-	1	Bushing, Strain Relief (20/35 & MV/DV Models)
11	01592.0000	1	-	Bushing, Strain Relief (2 Used on 2 Cord TWIN's)
12	05746.1000	1	1	Bushing, Strain Relief (A Models)
13	12698.0005	2	1	Bracket, Component Mounting (All Models Except 2 Cord Twins)
	12698.0004	2	-	Bracket, Component Mounting (2 Cord Twins Only)
	12698.0003	-	-	Bracket, Component Mounting (Single CW Only)
	02308.0000	2	1	Screw, Pan Head #8-32 x .375"
	02332.0001	2	1	Screw, Hex CrimpTite #6-32 x .25"
14	00606.0000	2	1	Bushing .875 Dia.
15	01106.0000	-	1	Terminal Block, 2-pole 120V (Black-White)
	01106.0001	-	1	Terminal Block, 2-pole 240V (Black-Red)
	01106.0003	-	1	Terminal Block, 2-pole 230V (Brown-Blue) (CE)
	07038.0000	3	1	Terminal Block, 3-pole 120/240V (Black-White-Red)
	01317.0000	4	2	Screw #8-32 x .5"
16	00824.0002	1	1	Decal, Ground (One Additional with 2 Cords)
17	27705.0000	-	1	Terminal Lug (CE)
	01327.0000	-	1	Screw, PNH 10-32 x .375"
18	00824.0001	1	1	Decal, Equipotentiality (CE Only)
19	02337.0001	2	1	Ground Screw, Hex Head #10 x .375" (Self Tap)
	01309.0000	2	1	Ground Screw, Pan Head #10-32 x .5" (Square Washer)
20	13352.0008	2	1	Control Panel
	13352.0011	2	1	Control Panel (with Switch Cover)
	02301.0000	8	4	Screw, Phillips Pan Head #6-32 x .625"
	00973.0000	8	4	Nut, KEPS #6-32
21	27429.0000	2	1	Switch Cover (Brass)
	27429.0002	2	1	Switch Cover (SST)
	01308.0000	4	2	Screw, SST Truss Head #6-32 x .25" (Brass Screw No Longer Available)
22	12148.0000	2	1	Spacer, Hinged
	01308.0000	4	2	Screw, SST Truss Head #6-32 x .25"
	01510.0000	4	2	Lockwasher, #6 External Tooth
23	38894.0001	1	1	Switch, On/Off (One Additional with Power Cord Twins)
	01308.0002	2	2	Screw, TRH #6-32 x .25"

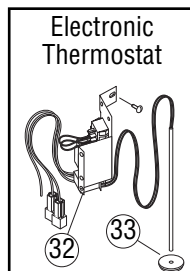
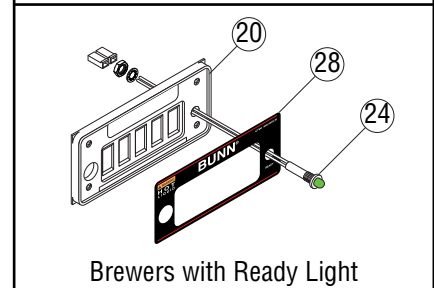
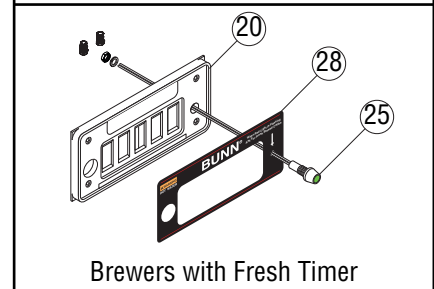
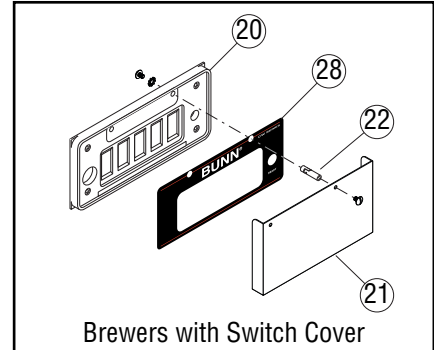
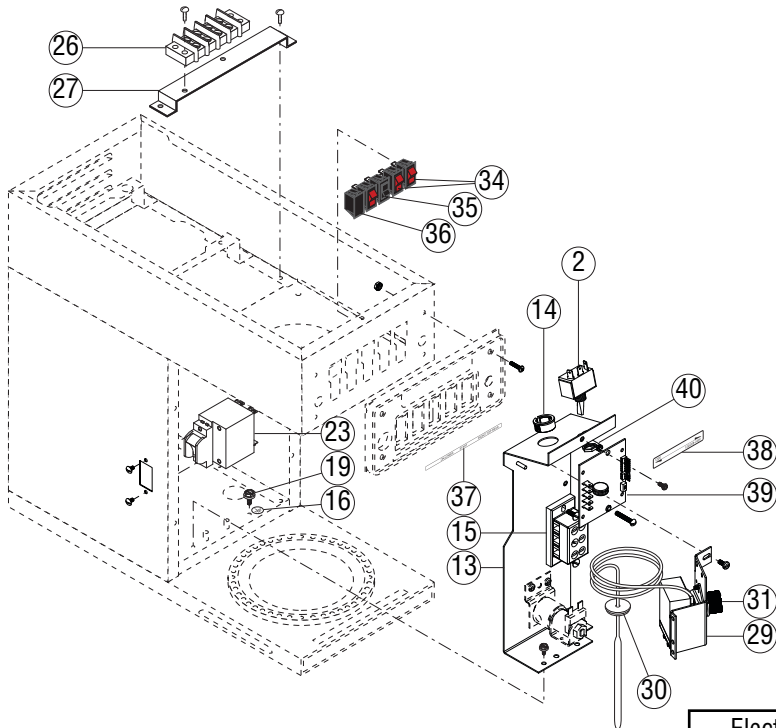
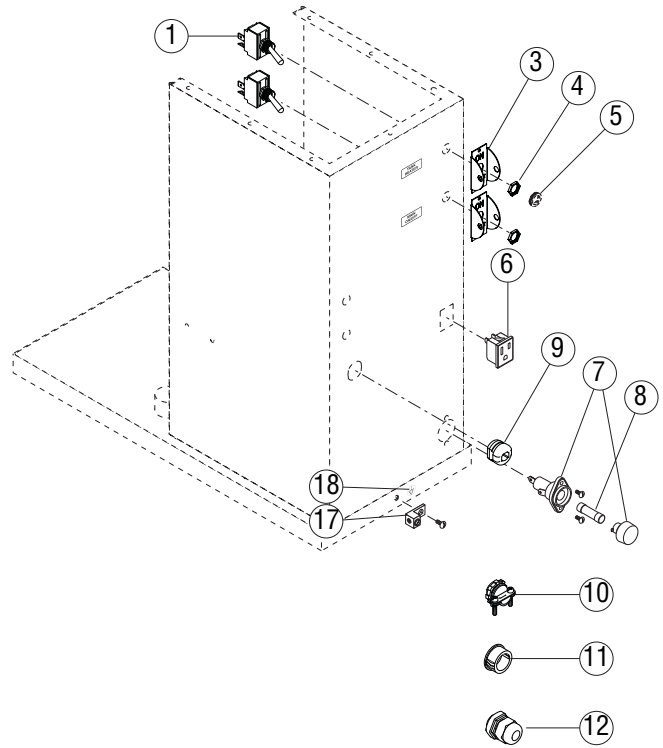
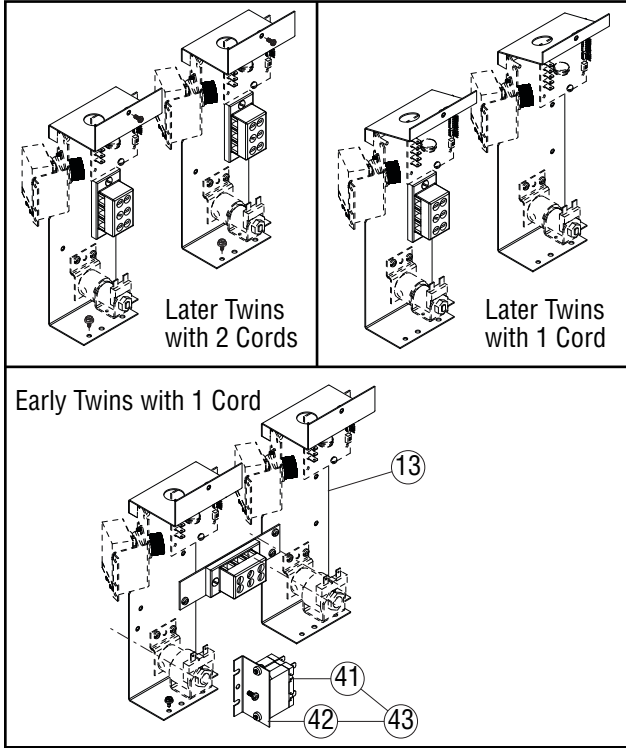
Continued on next page



ELECTRICAL AND OPERATING CONTROLS

ITEM	PART NO.	QTY.	QTY.	DESCRIPTION
		TWIN	SINGLE	
24	47575.1000	2	1	Ready Light, 120V Green LED (Includes Hardware as Shown)
	47575.1001	2	1	Ready Light, 240V Green LED (Includes Hardware as Shown)
	04243.0000	4	2	Terminal Housing, Plastic
25	12517.0003	2	1	LED, Fresh Timer (Includes Hardware as Shown)
	25292.0000	2	1	Lock Washer, M6
	34130.0000	2	1	Nut, M6
	03851.0000	4	2	Wire Nut
26	28177.0000	-	1	Terminal Block
	01317.0004	-	2	Screw, Truss Head #8-32 x .625"
27	28179.0000	-	1	Bracket, Term. Block Mounting
28	22289.0000	2	1	Decal, Control Panel (No Faucet, No Light)
	22289.0001	1	1	Decal, Control Panel (No Faucet, with Ready Light)
	22289.0002	-	1	Decal, Control Panel (With Faucet, No Light)
	22289.0003	1	1	Decal, Control Panel (With Faucet, with Ready Light)
	22289.0005	1	-	Decal, Control Panel (No Faucet, with Fresh LED)
	22289.0006	1	1	Decal, Control Panel (With Faucet, with Fresh LED)
	22289.0012	1	-	Decal, Control Panel (No Faucet, with Ready Light & Switch Cover)
	22289.0013	1	1	Decal, Control Panel (With Faucet, with Ready Light & Switch Cover)
29	04314.0001	2	1	Mechanical Thermostat Kit, with Leads (Includes Knob & Grommet)
	28319.0000	2	1	Mechanical Thermostat Kit, without Leads (Includes Knob & Grommet)
	02308.0000	2	1	Screw, Pan Head #8-32 x .375"
	20762.0000	4	2	Terminal Screws, Brass #8-32 x .25"
30	07073.1000	2	1	Kit, Grommet, Thermostat (Includes 1ea, early/new style)
31	00720.0000	2	1	Knob
32	26527.1000	2	1	Electronic Thermostat Kit, 120V (Includes Grommet)
33	12570.0000	2	1	Grommet, Electronic Thermostat
34	12920.0000	#	#	Warmer Switch, 120V
	12920.0002	#	#	Warmer Switch, 240V
	27727.0001	#	#	Warmer Switch, 230V (A Models)
	20637.0000	-	1	½ Batch Switch (Single CW Only)
35	01063.0000	2	1	Start Switch, Momentary
	27904.0001	2	1	Start Switch, Momentary (A Models)
36	12921.0000	#	#	Switch Blank
	27691.0002	-	1	Ready Light (A Models Only)
37	22295.0000	-	1	Decal, Pour In (No Warmers)
	22295.0001	-	1	Decal, Pour In (One Top Warmer)
	22295.0002	-	1	Decal, Pour In (Three Lower Warmers)
	22295.0003	-	1	Decal, Pour In (One Top, Three Lower Warmers)
	22295.0004	2	1	Decal, Automatic (One Lower Warmer)
	22295.0005	2	1	Decal, Automatic (One Lower, One Top Warmer)
	22295.0006	2	1	Decal, Automatic (Three Lower Warmers)
	22295.0007	-	1	Decal, Automatic (One Top, Three Lower Warmers)
	22295.0010	2	1	Decal, Automatic (One Lower, Two Top Warmers)
	22295.0011	2	1	Decal, Automatic (No Warmers) APS, TC, TS
	22295.0012	-	1	Decal, Pour In (One Lower, Two Top Warmers)
	28010.0000	-	1	Decal, Automatic (One Lower Warmer) (CE Only)
	28010.0001	-	1	Decal, Automatic (One Lower, One Top Warmer) (CE Only)
	28010.0002	-	1	Decal, Automatic (Three Lower Warmers) (CE Only)
	28010.0003	-	1	Decal, Automatic (One Lower, Two Top Warmers) (CE Only)
	28010.0004	-	1	Decal, Automatic (No Warmers) APS, TC (CE Only)
	28010.0005	-	1	Decal, Pour In (No Warmers) (CE Only)
20603.0001	-	1	Decal, Switches 1 Gal. - ½ Batch (Single CW Only)	

Continued on next page



ELECTRICAL AND OPERATING CONTROLS

ITEM	PART NO.	QTY.	QTY.	DESCRIPTION
		TWIN	SINGLE	
38	34056.0000	-	1	Decal, Dual Volt
39	32400.0000	2	1	Digital Timer Kit, 120V
	32400.0001	2	1	Digital Timer Kit, 240V
	01320.0000	2	1	Screw, Round Head #8-32 x 1.0" (Late Models)
40	32530.0001	2	1	Spacer
41	37711.0000	2	1	Relay, 120V
	37711.0001	2	1	Relay, 240V
	02308.0000	4	2	Screw, Pan Head #8-32 x .375"
42	36256.0000	2	1	Bracket
	02308.0000	2	1	Screw, Pan Head #8-32 x .375"
43	38326.0000	2	1	Kit, Recovery Booster Relay with Hardware 120V
	38326.0001	2	1	Kit, Recovery Booster Relay with Hardware 240V

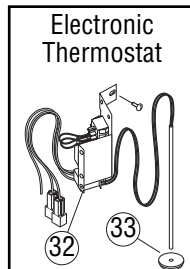
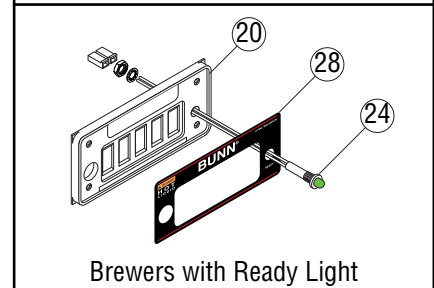
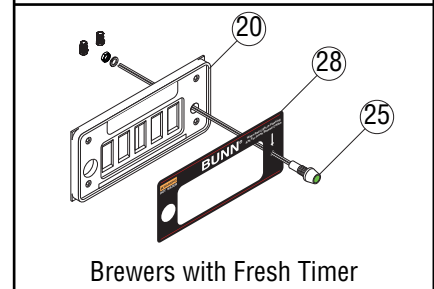
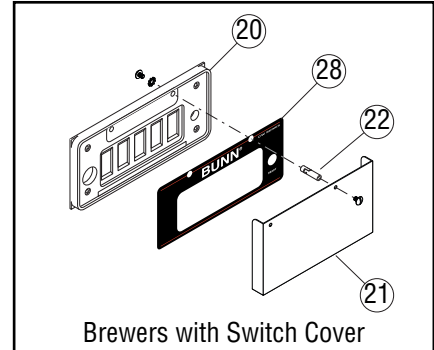
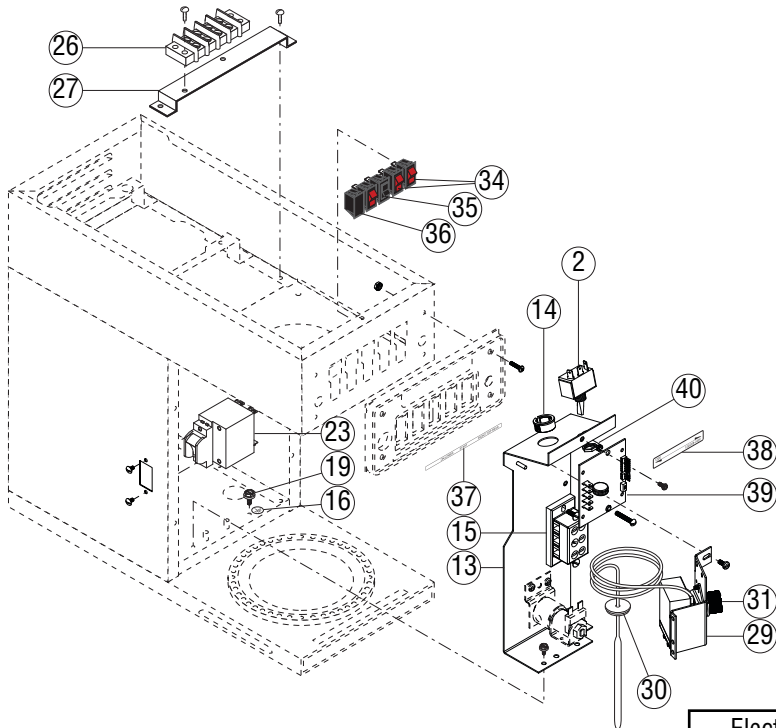
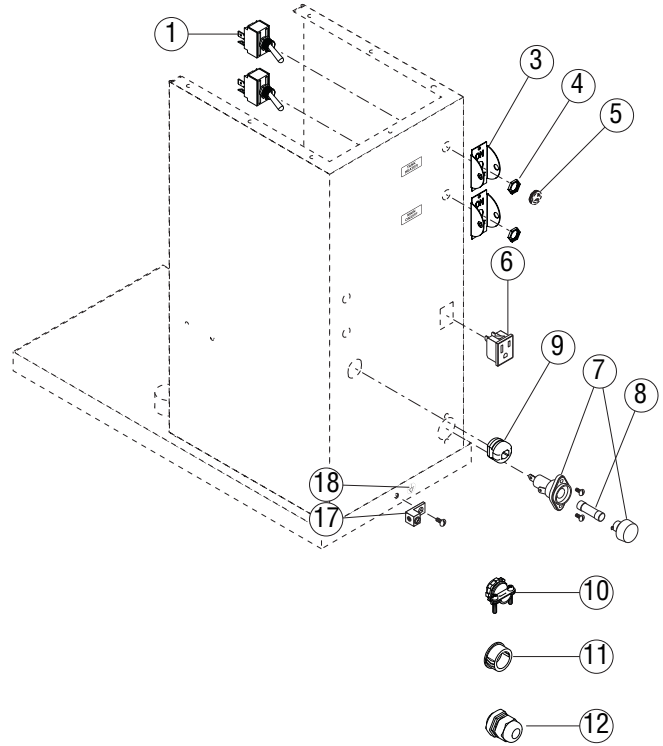
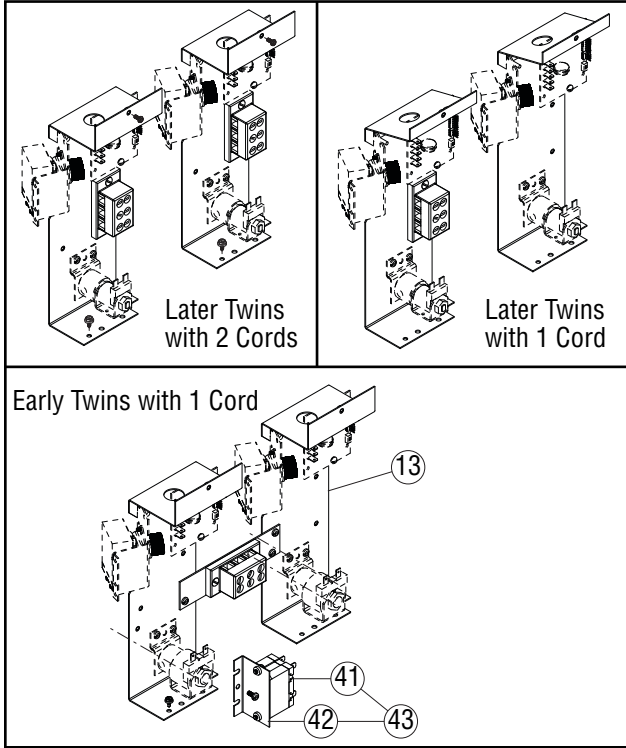
The Following Items Are Not Illustrated

44	01719.1000	-	1	Power Cord, 120V 15A (Model 15 Only)
	23799.0001	-	1	Power Cord, 120V 20A (Model 20 Only)
	28111.0007	-	1	Power Cord, 230V 13A Plug (UK) CWA-APS
	27728.0011	-	1	Power Cord, 230V 16A (CE Only) CWTF35A No Plug
	32832.0000	1	-	Power Cord, 230V (CE Only) CWTF A Twin-APS No Plug
	33529.0002	-	1	Power Cord, 230V 10A Euro Plug (CE Only) CWA/CWTF A-APS

Models without Master ON/OFF Switch

45	12985.0000	2	1	Wiring Harness, Thermostat to Ready Light (CWTF & Single CW)
	12985.0003	2	1	Wiring Harness, Thermostat to Ready Light (A Models)
46	25347.0000	2	1	Wiring Harness, Thermostat to Tank
47	29445.1000	2	1	Wiring Harness, Digital Timer Adaptor (Early Models)
48	27018.0000	2	1	Wiring Harness, Thermostat to Relay
	25907.0000	2	1	Lead Assembly, Black (Relay to Solenoid)
	25907.0001	2	1	Lead Assembly, White (Relay to Solenoid)
49	21002.1120	-	1	Lead Assembly, Blue (T. Stat. to Upper Term. Block) MV Models
50	28175.0000	-	1	Wiring Harness, (T. Stat. to Upper Term. Block) MV Models
51	24204.0000	1	-	Wiring Harness, Left Side Wrmr to 3 Pin Connector (Early 0/6 Twin) 120V
	24204.0001	1	-	Wiring Harness, Right Side Wrmr to 3 Pin Connector (Early 0/6 Twin) 240V
	23268.0000	1	-	Wiring Harness, Center Wrmrs to 3 Pin Connector (Early 0/6 Twin) 120V
	23268.0001	1	-	Wiring Harness, Center Wrmrs to 3 Pin Connector (Early 0/6 Twin) 240V
52	25326.0000	-	1	Wiring Harness, One Top Wrmr (Switches to 3 Pin Connector) 120V
	25326.0001	-	1	Wiring Harness, One Top Wrmr (Switches to 3 Pin Connector) 240V
53	23331.0002	-	1	Wiring Harness, Main APS/TC/TSR 240V & CE
54	23953.0000	1	-	Wiring Harness, Main 0/6 Twin 120/240V
55	23989.0000	1	-	Wiring Harness, Main 4/2, 2/2, 0/2 Twin-APS 120/240V
	23989.0001	1	-	Wiring Harness, Main 4/2 - 2/2 Twin 200V
56	23990.0000	1	-	Wiring Harness, Main 4/2, 2/2, Twin 230V (3 Phase)
	23990.0001	1	-	Wiring Harness, Main 2/2 Twin 240V & CE
57	25328.0001	-	1	Wiring Harness, Main (3 Warmers) 240V

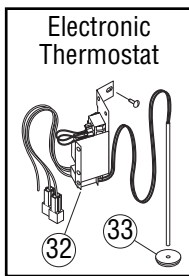
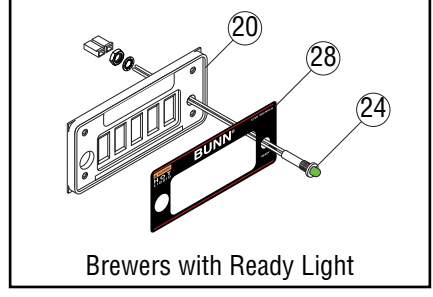
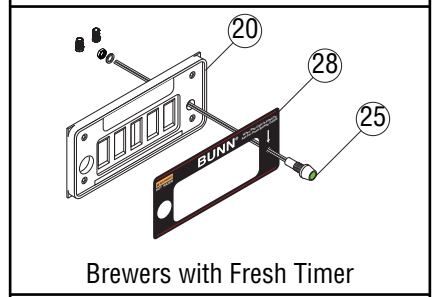
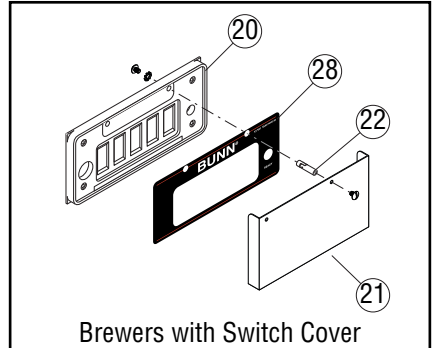
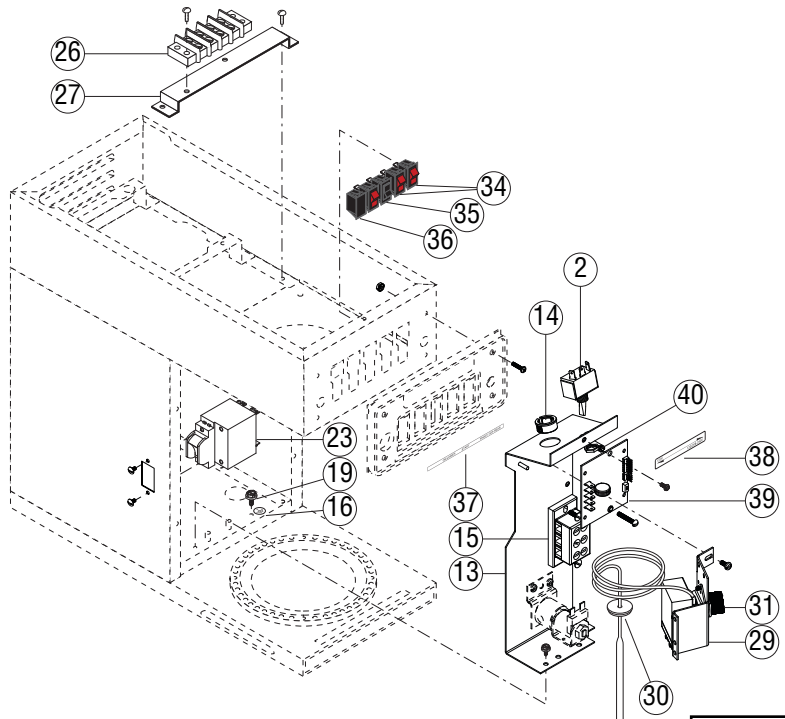
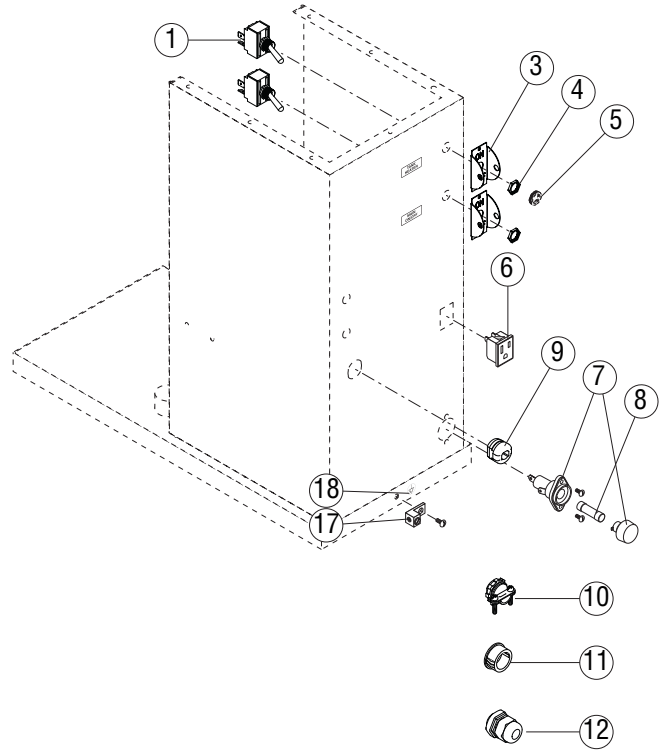
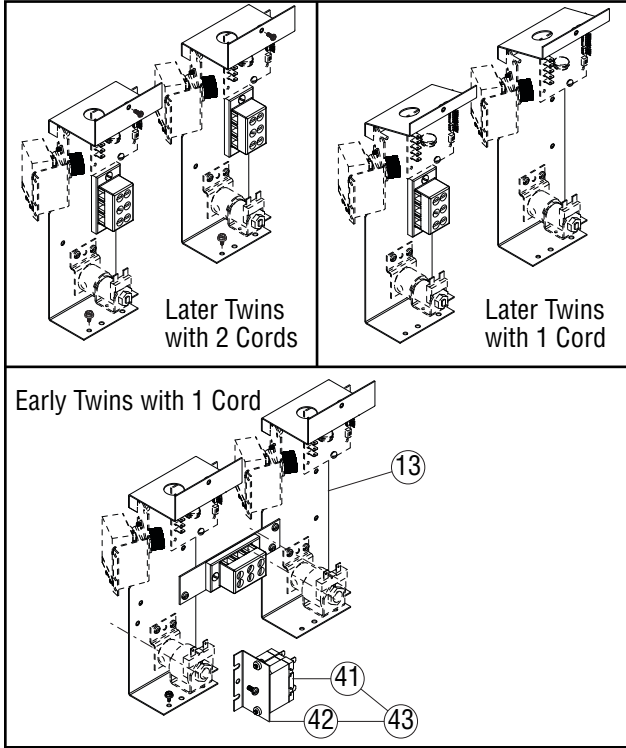
Continued on next page



ELECTRICAL AND OPERATING CONTROLS

ITEM	PART NO.	QTY.		DESCRIPTION
		TWIN	SINGLE	
58	25329.0000	-	1	Wiring Harness, Main (3L/NoUp) & (1L/2Up) 120/240V
	25329.0001	-	1	Wiring Harness, Main (1L/2Up) No Heater Switch 120/240V
	25329.0002	-	1	Wiring Harness, Main APS/TC 120/240V
59	27946.0000	-	1	Wiring Harness, Main (2 Warmers) 240V
60	28051.0000	-	1	Wiring Harness, Main APS/TC 240V & CE (Not available, order 41390.0033)
61	33985.0000	-	1	Wiring Harness, Main (3 Warmers) 120V & Single CW-15
62	34005.0000	-	1	Wiring Harness, Main APS/TC (Pour In Only) 120V
63	34023.0000	-	1	Wiring Harness, Main (Single CW-15) 120/240V
	34023.0002	-	1	Wiring Harness, Main (4 Warmers) 120/240V
64	34023.0008	1	-	Wiring Harness, Main Twin-APS (CE) 230V
65	34026.0002	-	1	Wiring Harness, Main APS-DV
	34026.0003	-	1	Wiring Harness, Main APS 120/240V
66	34111.0000	-	1	Wiring Harness, Main (MV Models)
67	34981.0001	-	1	Wiring Harness, Main APS/TC 120V
68	34602.0000	-	1	Wiring Harness, Selector Switch (Single CW Only)
Models with ON/OFF Rocker Switch				
69	23331.0009	-	1	Wiring Harness, Main APS/TS 120V
70	23953.0003	1	-	Wiring Harness, Main 0/6 Twin 120/240V
71	23989.0004	1	-	Wiring Harness, Main Twin-APS 120/240V
	23989.0005	1	-	Wiring Harness, Main 2/2 Twin 120/240V
	23989.0006	1	-	Wiring Harness, Main 4/2 Twin 120/240V
72	28051.0001	-	1	Wiring Harness, Main APS/TC 240V
73	38920.0000	-	1	Wiring Harness, Switch to Terminal Block 240V
	38920.0010	(1)	-	Wiring Harness, Switch to Terminal Block 240V (1 Per Power Cord)
	38920.0004	-	1	Wiring Harness, Switch to Terminal Block 120V
74	34023.0004	2	-	Wiring Harness, Main 0/6 Twin (2 Power Cords)
75	34023.0005	-	1	Wiring Harness, Main (3 Lower Warmers) 120/240V
76	34023.0006	-	1	Wiring Harness, Main (1 Lower, 2 Top Warmers) 120/240V & Sngl CW-35
77	34023.0007	-	1	Wiring Harness, Main (1 Top, 3 Lower Warmers) 120/240V
Models with ON/OFF Toggle Switch				
78	41390.0009	-	1	WIRING HARN, Main CWTF -35 3 lwr
79	41390.0010	-	1	WIRING HARN, Main CWTF -20 3 lwr
80	41390.0011	-	1	WIRING HARN, Main CWTF -35 1 lwr/2 upr & SINGLE CWTF35 1 lwr
81	41390.0012	-	1	WIRING HARN, Main CWTF -35 3 lwr left
82	41390.0014	-	1	WIRING HARN, Main CWTF-20 1 lwr/2 upr
83	41390.0015	-	1	WIRING HARN, Main CWTF-35 TC
84	41390.0016	-	1	WIRING HARN, Main CWTF-20 TC/APS

Continued on next page

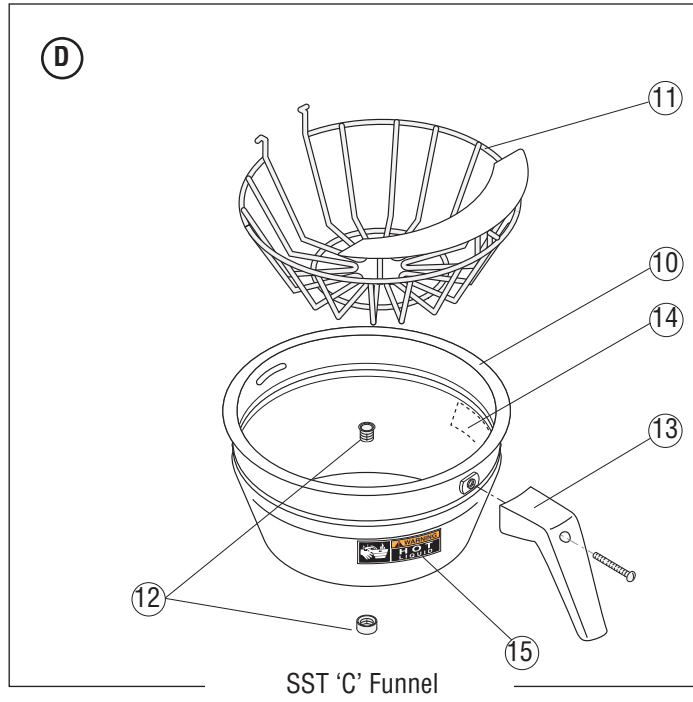
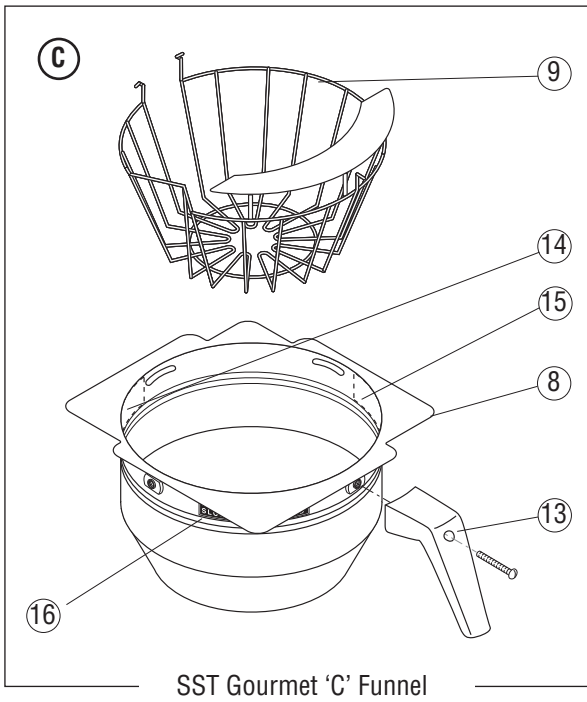
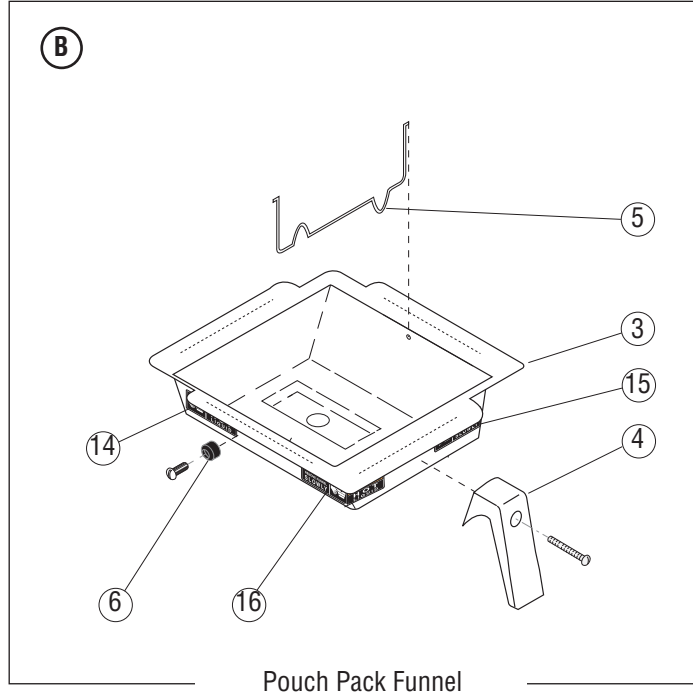
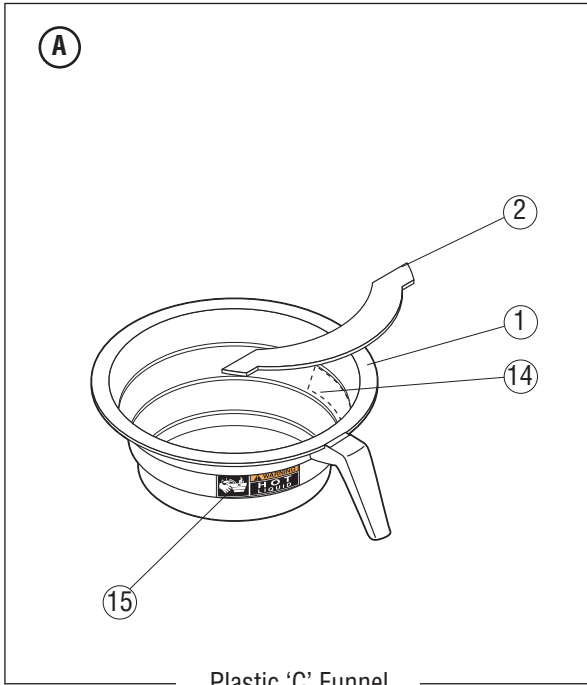


ELECTRICAL AND OPERATING CONTROLS

ITEM	PART NO.	QTY.	QTY.	DESCRIPTION
		TWIN	SINGLE	
85	41390.0017	-	1	WIRING HARN, Main CWTF-DV 1 lwr/2 upr
86	41390.0018	-	1	WIRING HARN, Main CWTF-DV 3 lwr
87	41390.0019	-	1	WIRING HARN, Main CWTF-DV 1 lwr
88	41390.0020	-	1	WIRING HARN, Main CWTF-35 TS/APS
89	41390.0021	-	1	WIRING HARN, Main CWTF-20 TS/APS
90	41390.0033	-	1	WIRING HARN, Main CWTF - APS 230v CE
91	41390.0023	-	1	WIRING HARN, Main CW-20 APS
92	41390.0024	-	1	WIRING HARN, Main CWTF -DV TC/APS
93	41390.0028	-	1	WIRING HARN, Main CWTF35A 230V 3LOWER/1UPPER
94	34023.0009	2	-	Wiring Harness, Main 0/6 Twin (2 Power Cords)
95	40081.0003	2	-	Wiring Harness, Switch to Term Block 0/6 Twin (2 Power Cords)

Harnesses from Upper Warmers to the 3 pin connector

96	02812.0001	-	1	WIRING HARN, Standard 2 Wmr, 2 Switches 120V
	12922.0002	-	1	WIRING HARN, Standard 2 Wmr, 2 Switches 240V
	25348.0003	-	1	WIRING HARN, 2 Wmr, 1 Switch 120V (CK Only)
97	25348.0000	-	1	WIRING HARN, 1 Wmr, (Rear) 2 Switches 120V
	25348.0001	-	1	WIRING HARN, 1 Wmr, (Rear) 2 Switches 240V
	25348.0002	-	1	WIRING HARN, 1 Wmr, (Front) 2 Switches 120V
98	23950.0000	1	-	WIRING HARN, 2 Wmr, (Rear) 2 Switches 120V (2/2 Twin Only)
	23950.0001	1	-	WIRING HARN, 2 Wmr, (Rear) 2 Switches 240V (2/2 Twin Only)
	23950.0002	1	-	WIRING HARN, 2 Wmr, (Front) 2 Switches 120V (2/2 Twin Only)
99	23949.0000	1	-	WIRING HARN, 4 Wmr, 4 Switches 120V (4/2 Twin Only)
	23949.0001	1	-	WIRING HARN, 4 Wmr, 4 Switches 240V (4/2 Twin Only)



FUNNELS

ITEM	PART NO.	QTY. TWIN	QTY. SINGLE	DESCRIPTION
A	20583.0002	-	1	Funnel Assy, Smoke Plastic (Includes items 2, 14, & 15)
	20583.0003	-	1	Funnel Assy, Black Plastic (Includes items 2, 14, & 15)
	20583.0006	-	1	Funnel Assy, Orange Plastic (Includes items 2, 14, & 15)
	1 33119.0000*	-	1	Funnel Body, Black Plastic (Order item A)
	1 33127.0000*	-	1	Funnel Body, Orange Plastic (Order item A)
2	32964.0000	-	1	Splashgard, Black Plastic
B	29151.0000	2	1	Funnel Assy, Pouch Pack Blk Handle (Includes items 3-6 & 14-16)
	29151.0001	2	1	Funnel Assy, Pouch Pack Orn Handle (Includes items 3-6 & 14-16)
	04274.0010	2	1	Funnel Assy, Pouch Pack Brown Plastic (Includes item 16)
	04274.0012	2	1	Funnel Assy, Pouch Pack Black Plastic (Includes item 16)
	3 29150.0000*	2	1	Funnel Body, Pouch Pack 'C Series' SST (Order item B)
	4 29152.1000	2	1	Handle Kit, Pouch Pack, Black (Includes mounting screw below)
	29152.1001	2	1	Handle Kit, Pouch Pack, Orange (Includes mounting screw below)
	01331.0002	2	1	Screw, Round Head 10-32 x 1.5"
	5 29845.0000	2	1	Insert, Pouch Pack Funnel
	6 35302.0000	2	1	Keeper, Insert
	01331.0000	2	1	Screw, Round Head 10-32 x .5"
C	34559.0000	-	1	Funnel Assy, Gourmet SST (Includes items 8, 9, & 13-16)
	8 34558.0000*	2	1	Funnel Body, Gourmet SST (Order item C)
	9 34546.0000	2	1	Filter Basket, Gourmet 'C'
D	20216.0000	-	1	Funnel Assy, 7.12" SST Blk Handle (Includes items 10, 11 & 13-16)
	20216.0001	-	1	Funnel Assy, 7.12" SST Orn Handle (Includes items 10, 11 & 13-16)
	20217.0000	2	-	Funnel Assy, 7.62" SST Blk Handle (Includes items 10, 11 & 13-16)
	20217.0001	2	-	Funnel Assy, 7.62" SST Orn Handle (Includes items 10, 11 & 13-16)
	10 28553.0000	-	1	Funnel Body, with Decals, 7.12" SST (Includes items 14 & 15)
	28554.0000	2	1	Funnel Body, with Decals, 7.62" SST (Includes items 14 & 15)
	11 33088.0000	-	1	Filter Basket, 7.12" SST
	33090.0000	2	1	Filter Basket, 7.62" SST
	12 01031.0000	2	1	Funnel Tip Kit
	13 20244.1000	2	1	Handle Kit, Black (Includes mounting screw below)
	20244.1001	2	1	Handle Kit, Orange (Includes mounting screw below)
	01331.0002	2	1	Screw, Round Head 10-32 x 1.5"
14 03408.0002	2	1	Decal, Warning - Remove Funnel	
15 03409.0002	2	1	Decal, Warning - Hot Liquid	
16 28694.0000	2	1	Decal, Warning - Hot Liquid/Remove Funnel	

NOTE: D does not include tip kit

NUMERICAL INDEX

PART NO.	PAGE NO.	PART NO.	PAGE NO.	PART NO.	PAGE NO.	PART NO.	PAGE NO.
00310.0000.....	33,35	01148.0001.....	35	02722.0000.....	5	10836.0010.....	13
00310.0002.....	35	01154.0000.....	29,33,35	02722.0001.....	5	10836.0011.....	13
00400.0001.....	21	01155.0000.....	29,33,35	02732.0000.....	5	10847.0000.....	13
00402.0001.....	25,37	01200.0000.....	25	02763.0000.....	5	10867.0000.....	13
00419.0000.....	25	01201.0000.....	25	02765.0000.....	5	11408.1002.....	13
00425.1000.....	25	01212.0000.....	25	02812.0001.....	51	11408.1005.....	13
00436.0001.....	27	01212.0001.....	25	02822.0000.....	13	11408.1006.....	13
00445.0001.....	35	01227.0000.....	41	02858.0000.....	39	11424.0000.....	25
00459.0000.....	27,29,33	01303.0000.....	5,9,41	02999.0000.....	5	11431.0002.....	21
00459.0001.....	31	01303.0002.....	5	03070.1001.....	21	11435.0000.....	19
00462.0001.....	9	01308.0000.....	43	03263.0002.....	9	11438.0000.....	41
00463.0000.....	27,29,39	01308.0002.....	15,43	03408.0002.....	53	11438.0001.....	41
00463.0000.....	31,33	01308.0003.....	15	03409.0002.....	53	11440.0005.....	41
00484.0001.....	35	01309.0000.....	43	03628.0000.....	43	11440.0008.....	41
00511.1000.....	19	01315.0000.....	5,9	03652.0000.....	41	11440.0009.....	41
00606.0000.....	43	01315.0000.....	13,21	03656.0000.....	41	11440.0010.....	41
00656.0001.....	13	01315.0005.....	13	03851.0000.....	45	11440.0011.....	41
00658.0000.....	13	01317.0000.....	43	03993.0000.....	19	11442.0000.....	41
00669.0003.....	9,13,31	01317.0004.....	45	03996.0000.....	19	11707.0003.....	25
00720.0000.....	45	01319.0000.....	5	04118.0000.....	21	11707.1000.....	25
00754.0001.....	17	01320.0000.....	47	04119.0000.....	23	11707.1001.....	25
00824.0001.....	43	01326.0007.....	5,7	04133.0000.....	23	11707.1002.....	25
00824.0002.....	43	01327.0000.....	37	04221.0000.....	21	12104.0000.....	15
00831.0000.....	13	01327.0000.....	43	04236.1000.....	21	12148.0000.....	43
00833.0000.....	5	01331.0000.....	53	04243.0000.....	45	12183.0002.....	13
00908.0000.....	5,21	01331.0002.....	53	04260.0000.....	21	12364.0000.....	17
00912.0000.....	5,9,21	01347.0000.....	7,19	04270.0000.....	25	12364.0000.....	7
00916.0000.....	5,9,41	01382.0000.....	13	04270.0002.....	25	12422.0000.....	25
00942.0000.....	21	01382.0002.....	13	04274.0010.....	53	12422.0001.....	37
00943.0000.....	21	01426.0000.....	25	04274.0012.....	53	12517.0003.....	45
00970.0000.....	11,41	01502.0000.....	37	04314.0001.....	45	12570.0000.....	45
00971.0000.....	5,7	01510.0000.....	43	04572.0000.....	35	12667.0001.....	17
00973.0000.....	43	01532.0000.....	27,29,31	04636.1000.....	21	12683.0000.....	9
00973.0000.....	9	01532.0000.....	33,39	04637.1000.....	21	12683.0002.....	9
00988.0000.....	11	01592.0000.....	5,15,17,43	04776.0000.....	23	12687.0000.....	21
01031.0000.....	53	01592.0001.....	5	04828.0001.....	41	12688.0000.....	21
01063.0000.....	45	01593.0000.....	17	04828.1001.....	41	12689.1000.....	21
01075.0000.....	21	01685.0000.....	43	04831.0000.....	5	12698.0003.....	43
01079.0000.....	37	01686.0000.....	43	05212.0000.....	41	12698.0004.....	43
01082.0000.....	23	01719.1000.....	47	05515.0000.....	21	12698.0005.....	43
01082.0004.....	23	01925.1000.....	21	05518.0000.....	21	12908.0000.....	35
01082.0005.....	23	01927.0000.....	21	05746.1000.....	43	12909.0000.....	35
01082.0007.....	23	01951.0000.....	41	07038.0000.....	43	12913.0000.....	25
01085.0000.....	37	01951.0001.....	41	07073.1000.....	45	12914.0002.....	25
01085.0002.....	37	01975.0000.....	37	07441.0000.....	37	12915.0000.....	39
01100.0000.....	37	02301.0000.....	43	10165.0000.....	15	12920.0000.....	45
01101.0000.....	37	02308.0000.....	9,11,13	10447.0000.....	15	12920.0002.....	45
01106.0000.....	43	02308.0000.....	17,19,37	10693.0000.....	13	12921.0000.....	17,45
01106.0001.....	43	02308.0000.....	43,45,47	10693.0001.....	13	12922.0002.....	51
01106.0003.....	43	02332.0001.....	43	10693.0002.....	13	12928.0000.....	25
01111.0000.....	37	02332.0002.....	5,11	10736.0000.....	13	12978.0000.....	5
01111.0002.....	37	02332.0002.....	17,19	10836.0000.....	13	12981.0001.....	5
01116.0000.....	37	02337.0001.....	43	10836.0005.....	13	12985.0000.....	47
01148.0000.....	35	02371.0000.....	9	10836.0009.....	13	12985.0003.....	47

NUMERICAL INDEX

PART NO.	PAGE NO.	PART NO.	PAGE NO.	PART NO.	PAGE NO.	PART NO.	PAGE NO.
13042.0001.....	41	21104.0003.....	19	23268.0001.....	47	24217.1000.....	21
13053.0000.....	39	21180.0000.....	37	23270.0000.....	11	24220.0000.....	29
13054.0000.....	39	21181.0000.....	37	23294.0000.....	11	24230.0000.....	19
13055.0000.....	39	21812.0002.....	35	23294.0001.....	11	24249.0003.....	13
13056.0000.....	39	21812.1006.....	35	23294.0002.....	11	24253.0000.....	19
13057.0000.....	39	21814.0011.....	29	23294.0008.....	11	24253.0001.....	19
13058.0000.....	39	21814.0016.....	31,33	23294.0011.....	11	24253.0002.....	19
13060.0000.....	39	22012.0002.....	43	23294.1010.....	11	24253.0003.....	19
13061.0000.....	39	22249.0000.....	29,33,35	23294.1015.....	11	24254.0000.....	7
13110.0000.....	5	22289.0000.....	45	23320.1004.....	11	24254.0001.....	7
13255.0005.....	19	22289.0001.....	45	23320.1012.....	11	24254.0002.....	7
13350.0006.....	9	22289.0002.....	45	23321.0000.....	17	24356.0222.....	33
13350.0008.....	9	22289.0003.....	45	23321.0001.....	17	24393.0000.....	35
13350.0011.....	9	22289.0005.....	45	23321.0002.....	17	24394.0222.....	33
13350.0016.....	9	22289.0006.....	45	23321.0003.....	17	24540.0000.....	15
13352.0008.....	43	22289.0012.....	45	23321.0004.....	17	24600.0000.....	17
13352.0011.....	43	22289.0013.....	45	23329.0000.....	19	24684.0000.....	29
20201.0750.....	21	22295.0000.....	45	23331.0002.....	47	24785.0002.....	41
20201.3000.....	21	22295.0001.....	45	23331.0009.....	49	24805.0000.....	17
20211.0100.....	21,23	22295.0002.....	45	23413.0000.....	27,29	24805.0002.....	17
20216.0000.....	53	22295.0003.....	45	23522.1001.....	43	25102.0000.....	43
20216.0001.....	53	22295.0004.....	45	23696.0000.....	43	25102.0001.....	43
20217.0000.....	53	22295.0005.....	45	23697.0000.....	43	25137.0000.....	17
20217.0001.....	53	22295.0006.....	45	23698.1002.....	17	25137.0001.....	17
20244.1000.....	53	22295.0007.....	45	23698.1003.....	17	25158.0000.....	21
20244.1001.....	53	22295.0010.....	45	23698.1004.....	17	25158.0002.....	21
20526.1222.....	29,33,35	22295.0011.....	45	23698.1005.....	17	25158.1001.....	21
20527.0001.....	35	22295.0012.....	45	23721.0000.....	29,33,35	25158.1004.....	21
20528.1222.....	35	22300.0222.....	29,33,35	23768.0000.....	21	25292.0000.....	45
20577.0001.....	29,31,33	22306.0000.....	17	23769.0000.....	21	25319.1000.....	23
20583.0002.....	53	22312.0000.....	29,33,35	23799.0001.....	47	25319.1001.....	23
20583.0003.....	53	22312.0001.....	35	23819.0000.....	35	25319.1002.....	23
20583.0006.....	53	22397.0001.....	25,37	23820.1000.....	35	25319.1010.....	23
20603.0001.....	45	22568.0000.....	19	23924.0000.....	29	25320.1000.....	23
20637.0000.....	45	22730.1002.....	13	23925.0000.....	29	25320.1001.....	23
20690.0000.....	31,33,35	22730.1003.....	13	23929.1000.....	21	25320.1002.....	23
20690.0003.....	31	22730.1005.....	13	23930.1000.....	21	25320.1007.....	23
20691.0000.....	39	22730.1007.....	13	23949.0000.....	51	25320.1012.....	23
20691.0001.....	39	22730.1009.....	13	23949.0001.....	51	25320.1017.....	23
20762.0000.....	45	22733.0000.....	11	23950.0000.....	51	25326.0000.....	47
20782.1000.....	35	22740.0000.....	17	23950.0001.....	51	25326.0001.....	47
20783.0000.....	35	22748.0000.....	11	23950.0002.....	51	25328.0001.....	47
20784.0000.....	35	22748.0001.....	11	23953.0000.....	47	25329.0000.....	49
20785.0000.....	35	22748.0002.....	11	23953.0003.....	49	25329.0001.....	49
20786.1000.....	35	22918.0000.....	23	23989.0000.....	47	25329.0002.....	49
20941.1000.....	21	22918.0001.....	23	23989.0001.....	47	25347.0000.....	47
20976.0006.....	37	22999.0000.....	17	23989.0004.....	49	25348.0000.....	51
20976.1000.....	37	23232.0000.....	9	23989.0005.....	49	25348.0001.....	51
20976.1001.....	37	23232.0002.....	9	23989.0006.....	49	25348.0002.....	51
20976.1002.....	37	23232.0004.....	9	23990.0000.....	47	25348.0003.....	51
21002.1120.....	47	23232.0005.....	9	23990.0001.....	47	25351.0000.....	17
21016.0011.....	41	23267.1000.....	13	24204.0000.....	47	25351.0001.....	17
21016.0012.....	41	23267.1001.....	13	24204.0001.....	47	25351.0002.....	17
21016.0027.....	41	23268.0000.....	47	24213.0000.....	15	25352.0007.....	11

NUMERICAL INDEX

PART NO.	PAGE NO.	PART NO.	PAGE NO.	PART NO.	PAGE NO.	PART NO.	PAGE NO.
25633.0002.....	5	28111.0007.....	47	34023.0002.....	49	38707.1002.....	7
25657.0000.....	17	28173.0000.....	23	34023.0004.....	49	38707.1003.....	7
25657.0001.....	17	28174.0000.....	23	34023.0005.....	49	38820.0000.....	15
25657.0002.....	17	28175.0000.....	47	34023.0006.....	49	38894.0001.....	43
25658.0000.....	17	28176.0000.....	43	34023.0007.....	49	38920.0000.....	49
25658.0002.....	17	28177.0000.....	45	34023.0008.....	49	38920.0004.....	49
25864.0000.....	7	28179.0000.....	45	34023.0009.....	51	38920.0010.....	49
25907.0000.....	47	28180.0000.....	5	34026.0002.....	49	39806.0000.....	15
25907.0001.....	47	28181.0000.....	13	34026.0003.....	49	40081.0003.....	51
26216.0000.....	33	28181.0001.....	13	34056.0000.....	47	40085.1000.....	5
26217.0000.....	33	28181.0002.....	13	34061.0013.....	11	40124.0000.....	15
26225.0000.....	15	28226.1000.....	23	34061.0026.....	11	40763.0002.....	43
26283.1000.....	13	28233.0000.....	11	34061.1000.....	11	41252.0000.....	31,33
26283.1001.....	13	28242.0000.....	23	34061.1003.....	11	41252.0001.....	31
26285.0000.....	11	28319.0000.....	45	34061.1004.....	11	41254.0000.....	31
26285.0001.....	11	28479.0000.....	37	34061.1006.....	11	41255.0002.....	37
26285.0002.....	11	28480.0000.....	37	34061.1022.....	11	41255.0003.....	37
26285.0006.....	11	28481.0000.....	37	34061.1023.....	11	41256.0000.....	37
26285.0007.....	11	28526.0021.....	25	34061.1025.....	11	41257.0000.....	31
26285.0008.....	11	28526.1000.....	25	34061.1035.....	11	41267.0000.....	27
26287.0000.....	11	28526.1001.....	25	34065.1001.....	19	41268.0000.....	27
26301.0000.....	29	28526.1002.....	25	34111.0000.....	49	41281.0000.....	27,29
26318.0000.....	29	28526.1003.....	25	34130.0000.....	45	41390.0009.....	49
26413.0000.....	17	28553.0000.....	53	34208.1002.....	11	41390.0010.....	49
26413.0001.....	17	28554.0000.....	53	34208.1011.....	11	41390.0011.....	49
26443.0001.....	37	28694.0000.....	53	34546.0000.....	53	41390.0012.....	49
26527.1000.....	45	29150.0000.....	53	34558.0000.....	53	41390.0014.....	49
26528.0001.....	19	29151.0000.....	53	34559.0000.....	53	41390.0015.....	49
26953.0000.....	17	29151.0001.....	53	34559.0001.....	53	41390.0016.....	49
27018.0000.....	47	29152.1000.....	53	34602.0000.....	49	41390.0017.....	51
27429.0000.....	43	29152.1001.....	53	34955.0000.....	13	41390.0018.....	51
27429.0002.....	43	29329.1000.....	21	34955.0001.....	13	41390.0019.....	51
27514.0000.....	25	29351.0001.....	53	34955.0002.....	13	41390.0020.....	51
27623.0000.....	19	29445.1000.....	47	34955.0003.....	13	41390.0021.....	51
27691.0002.....	45	29845.0000.....	53	34981.0001.....	49	41390.0023.....	51
27693.0000.....	13	32063.0000.....	25	35129.0000.....	39	41390.0024.....	51
27705.0000.....	43	32283.0000.....	37	35302.0000.....	53	41390.0028.....	51
27727.0001.....	45	32400.0000.....	47	35712.0000.....	17	41390.0033.....	51
27728.0011.....	47	32400.0001.....	47	36256.0000.....	47	41402.1000.....	11
27904.0001.....	45	32530.0001.....	47	37297.1002.....	31	41402.1001.....	11
27929.0000.....	13	32540.0000.....	13	37297.1005.....	31	41402.1003.....	11
27946.0000.....	49	32832.0000.....	47	37711.0000.....	47	41402.1008.....	11
28004.0000.....	43	32964.0000.....	53	37711.0001.....	47	41405.0000.....	15
28005.0000.....	37	32966.0000.....	53	37881.0000.....	5,7,13	41417.1000.....	11
28010.0000.....	45	33088.0000.....	53	37881.0002.....	5,7	41417.1001.....	11
28010.0001.....	45	33090.0000.....	53	38326.0000.....	47	41417.1002.....	11
28010.0002.....	45	33119.0000.....	53	38326.0001.....	47	41426.1000.....	11
28010.0003.....	45	33127.0000.....	53	38496.1000.....	5	41427.0000.....	15
28010.0004.....	45	33529.0002.....	47	38496.1002.....	5	41760.0000.....	5,7
28010.0005.....	45	33637.0000.....	29	38498.1000.....	5,7	41935.0000.....	37
28020.0000.....	37	33643.0000.....	27,29	38503.1000.....	5	41935.0001.....	37
28021.0000.....	37	33985.0000.....	49	38504.1000.....	5	42025.0000.....	37
28051.0000.....	49	34005.0000.....	49	38707.1000.....	7	42025.0001.....	37
28051.0001.....	49	34023.0000.....	49	38707.1001.....	7	46884.0000.....	37

NUMERICAL INDEX

PART NO.	PAGE NO.	PART NO.	PAGE NO.	PART NO.	PAGE NO.	PART NO.	PAGE NO.
47575.1000.....	45						
47575.1001.....	45						
50291.0000.....	21						
51753.0002.....	23						