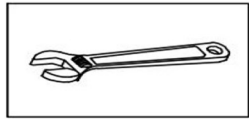
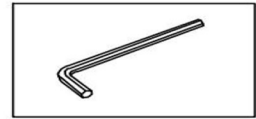


# Wooden Dressing Table Set Installation

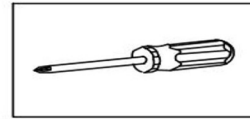
Tools You Will Need: Tools You May Need



Adjustable wrench



Hexagon wrench



Philips Screwdriver

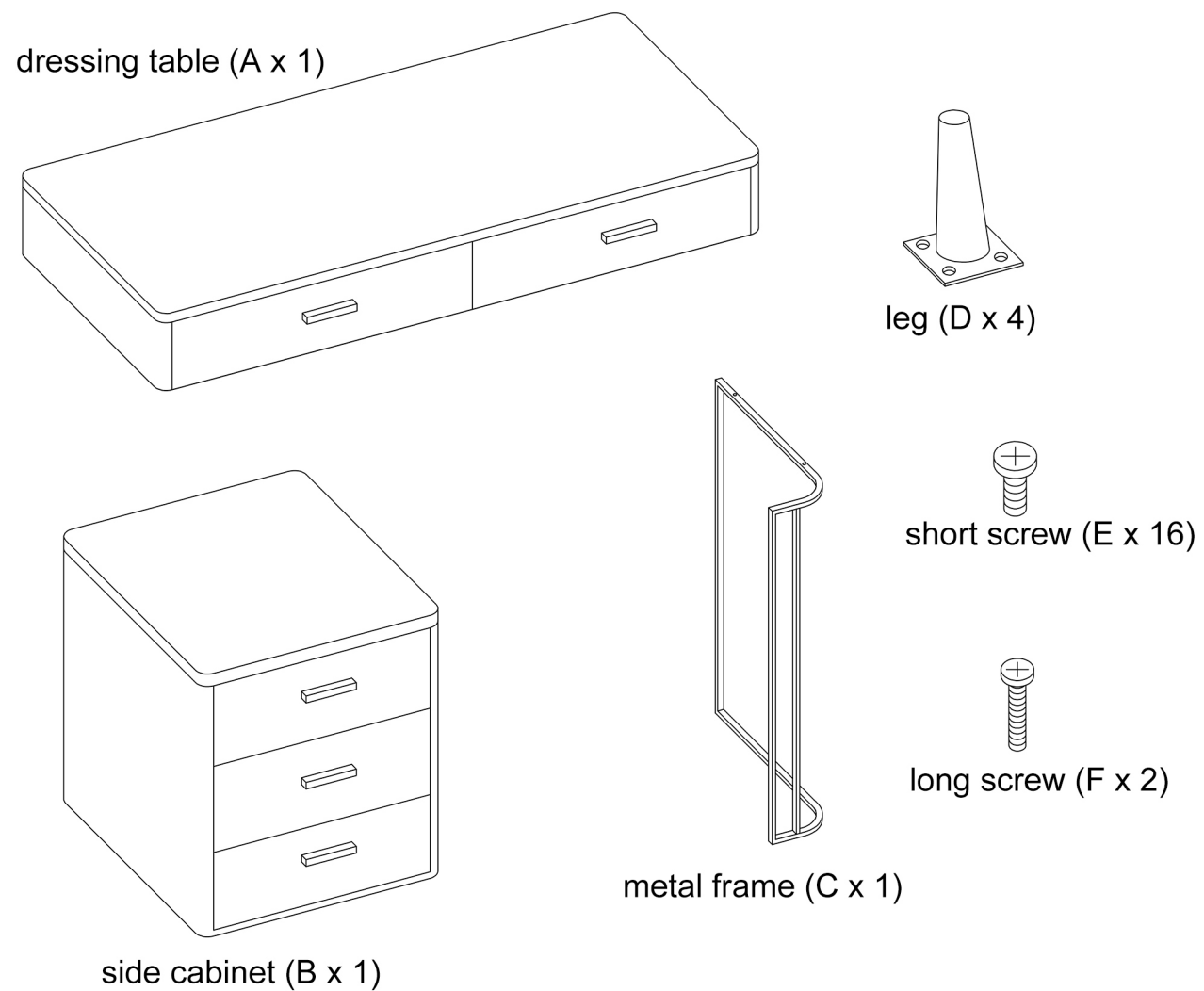
## Before the Installation

1. Do not throw away packing materials until assembly is complete for small parts may come loose inside the carton during shipment. If parts are missing, please contact us.
2. Assemble this item on a soft surface, such as carpet to protect the finish.
3. Proper assembly of this item requires 2 people.
4. Periodically check to ensure that all connections are tight.
5. It is recommended that installation of the product be done by a qualified licensed furniture assembler.

## Care and Cleaning

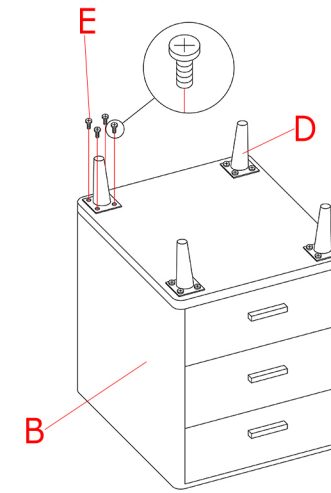
1. To protect the finish, avoid use chemicals and household cleaners.
2. All hot serving dishes should be placed on a pad.
3. Any liquid spilled onto the top should be cleaned up immediately with a damp cloth.

## Parts List

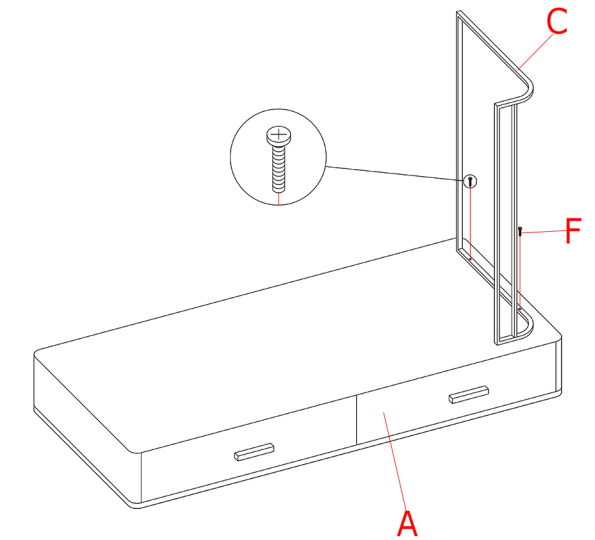


**Note:** Do not fully tighten all bolts until all parts are in place. Failure to follow these instructions may cause the bolt to misalign during assembly.

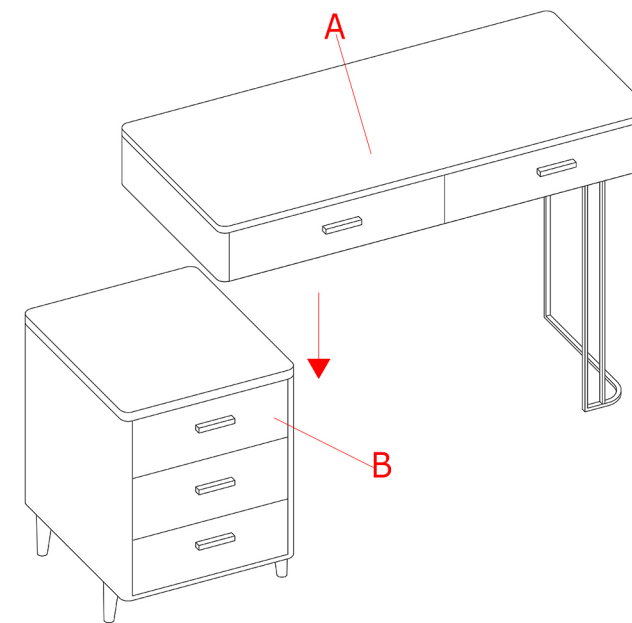
## Installation Guide



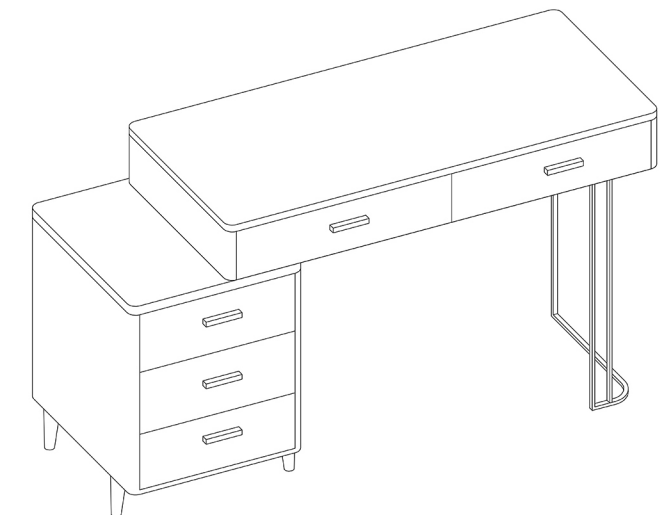
1. Put the side cabinet(B) upside down. Align the holes on the legs(D) to those on the cabinet and fix them with short screws(E).



2. Put the dressing table(A) upside down. Align the holes on the metal frame(C) to those on the dressing table and fix them with long screws(F).



3. Stand the dressing table(A) and side cabinet(B) and put one end of the table on the cabinet.



4. The finished picture.