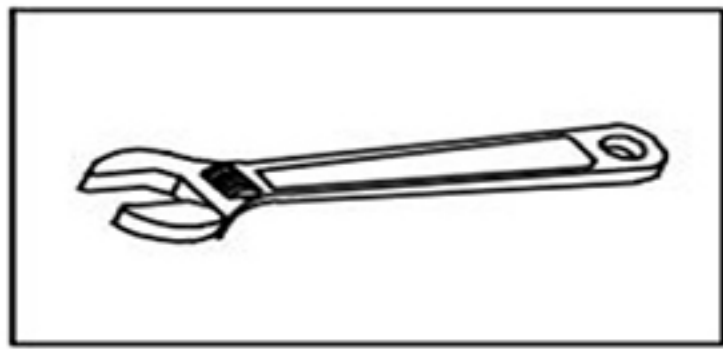
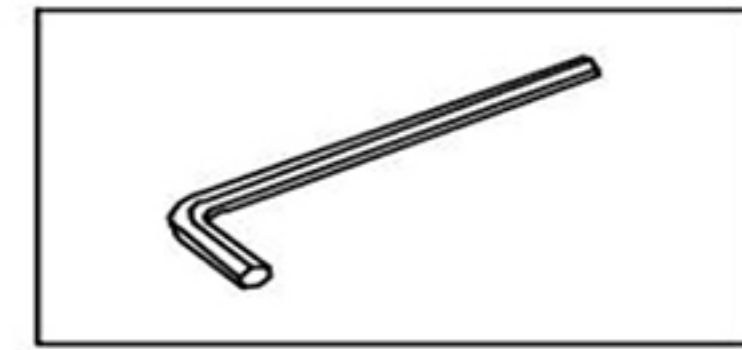


Shower System Installation

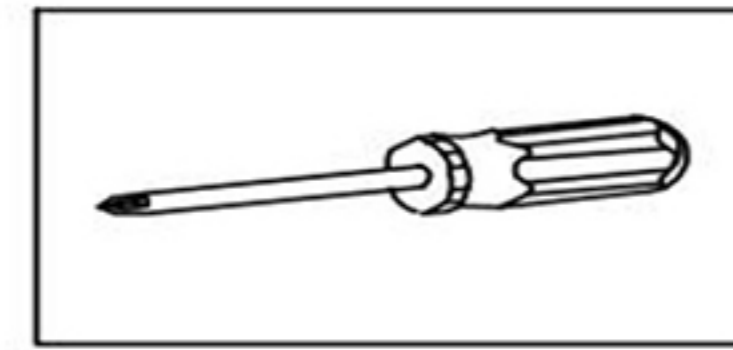
INSTALLATION MANUAL Tools You Will Need:



Adjustable wrench



Hexagon wrench



Phillips Screwdriver

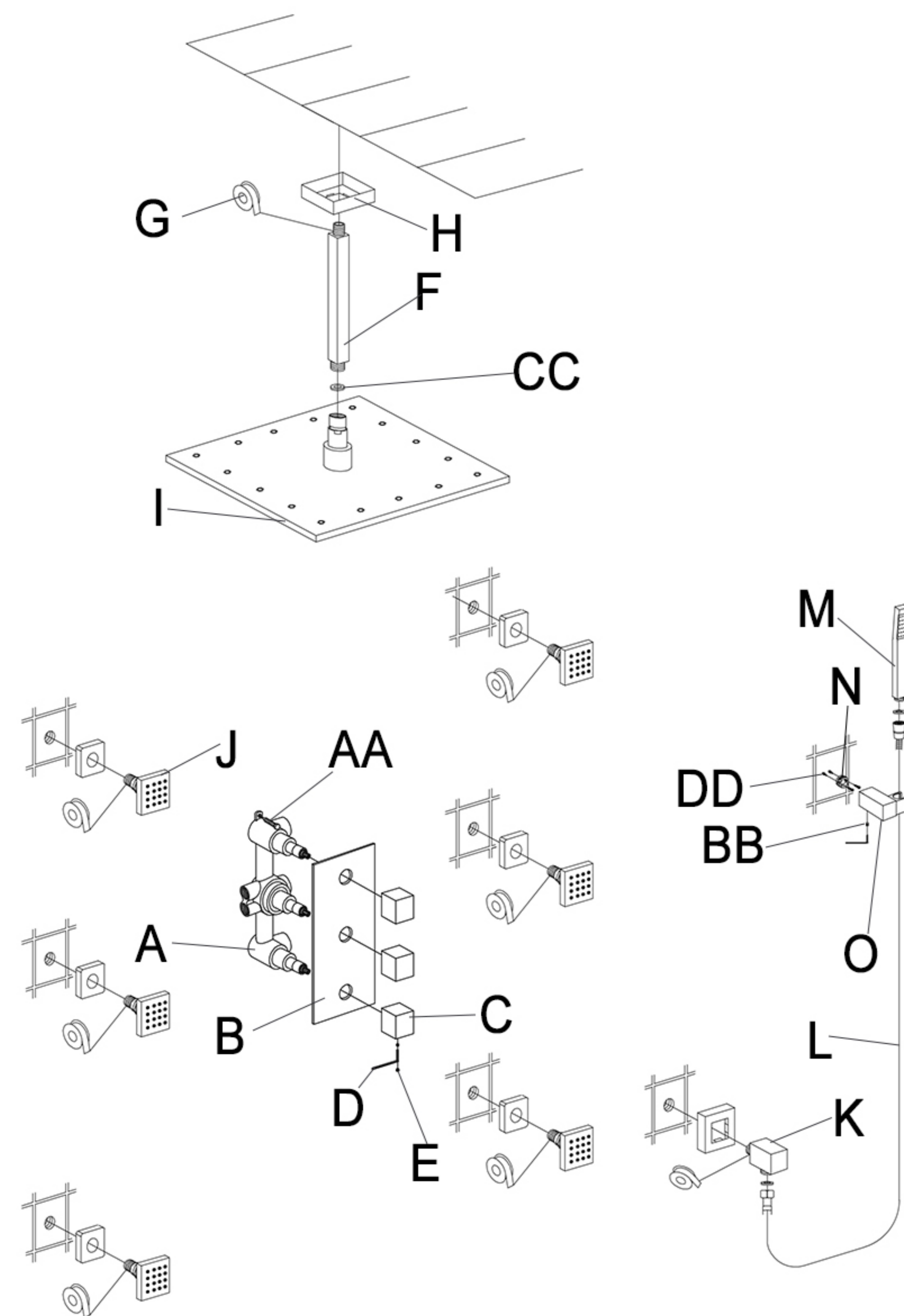
Before the Installation

1. Check the package and confirm all parts are included. If any part is missing or damaged, please contact us.
2. Do not disassemble the main body, as it has been installed & commissioned correctly & precisely before leaving the factory.
3. Shut off the main water supply prior to beginning installation.
4. Do flush the water supply lines to remove any dirt and debris before installation (**IMPORTANT**).
5. Make sure to connect the hot/cold inlet pipe correctly. If standing in front, connect hot water pipe to the left and cold water pipe to the right.
6. After the installation, check for leaks and make sure every joint is safely sealed.

Cleaning and Maintenance

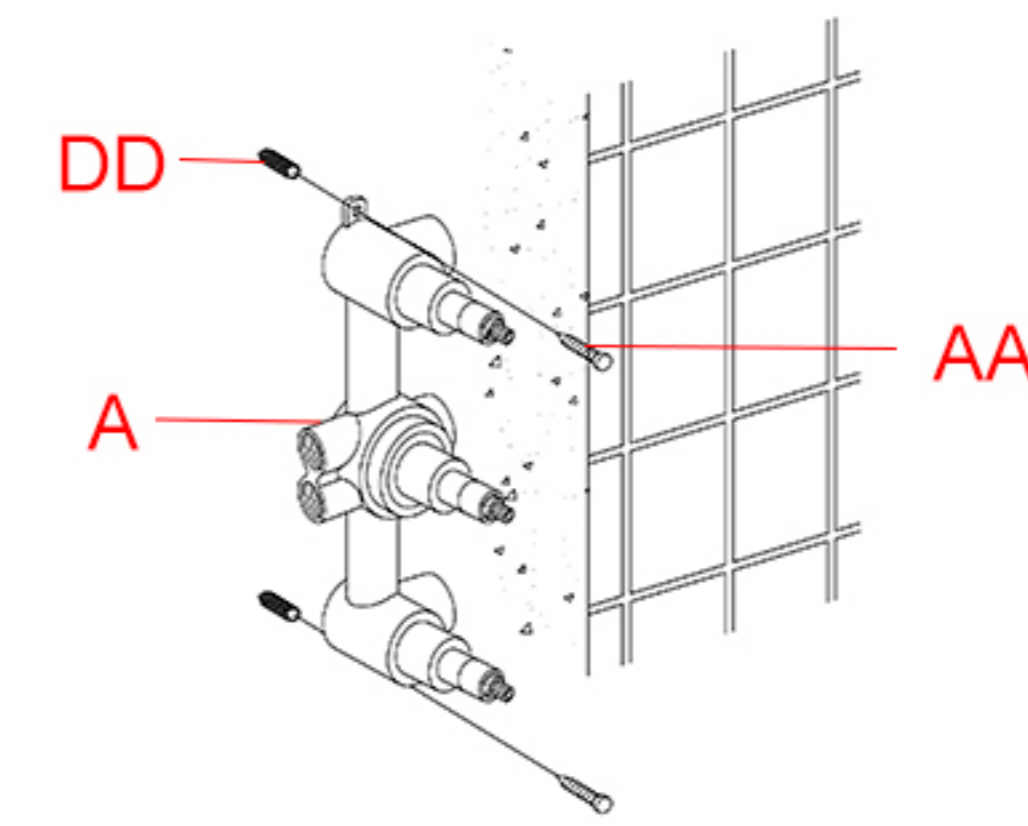
1. Rinse with clean water and dry with a soft cloth.
2. Do not use any detergent, acid, polisher, abrasives, or harsh cleaners.
3. Do not use cloth with a coarse surface.

Parts List

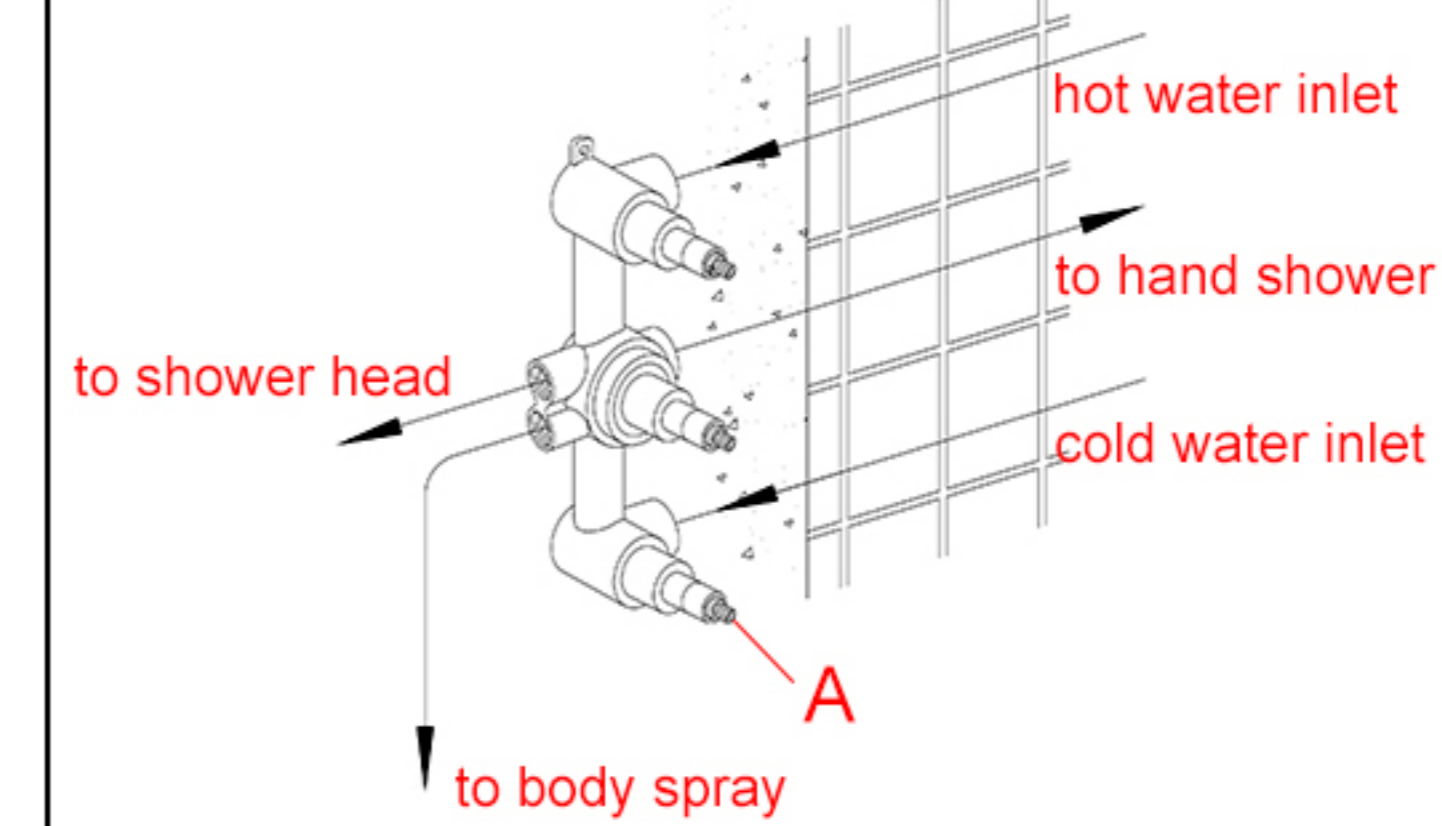


Part	Name	Quantity
A	shower valve	1
B	escutcheon	1
C	handle	3
D	Allen key	1
E	indication button	3
F	shower arm	1
G	Telfon tape	1
H	cover plate	8
I	shower head	1
J	body spray	6
K	supply elbow	1
L	shower hose	1
M	handshower	1
N	wall bracket	1
O	handshower holder	1
AA	screw	4
BB	set screw	4
CC	rubber washer	3
DD	anchor	4

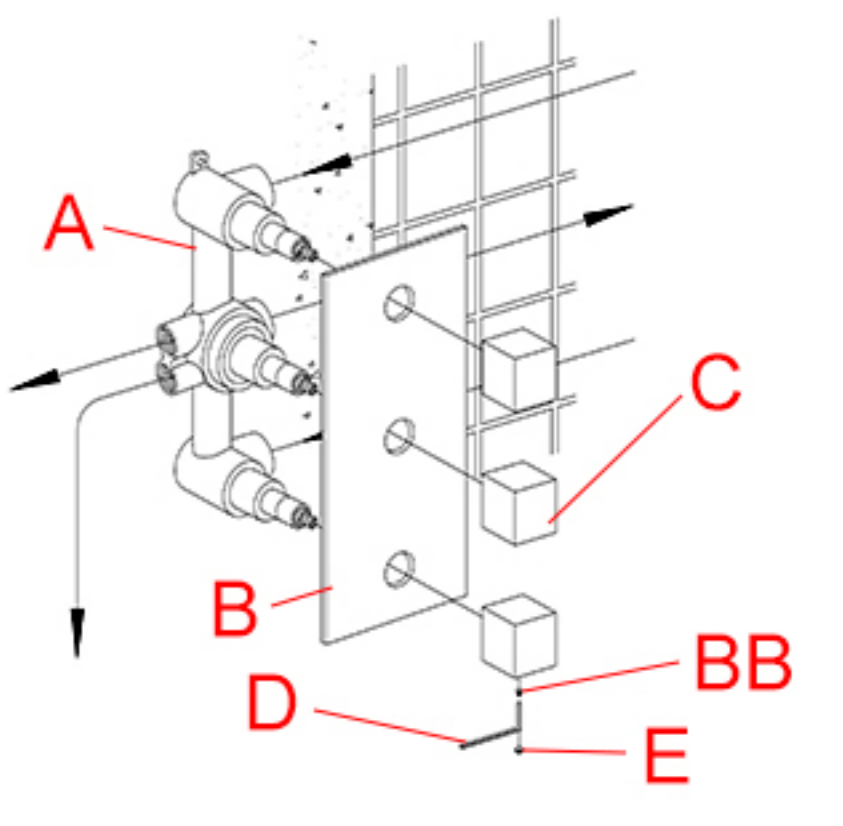
Installation Guide



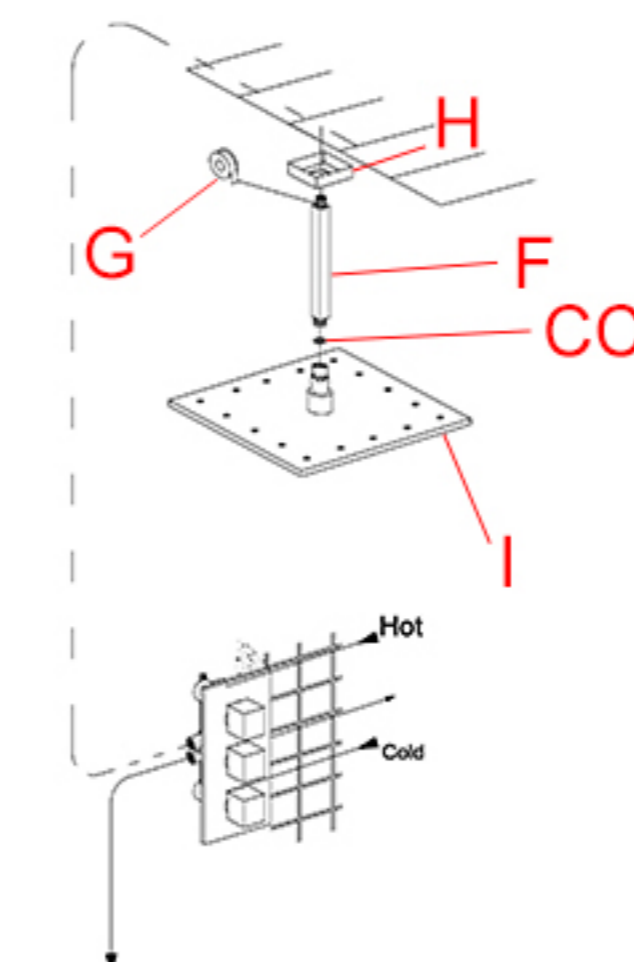
1. Fix the shower valve (A) into the wall with screws (AA). Use a level to ensure that the valve is straight and level.



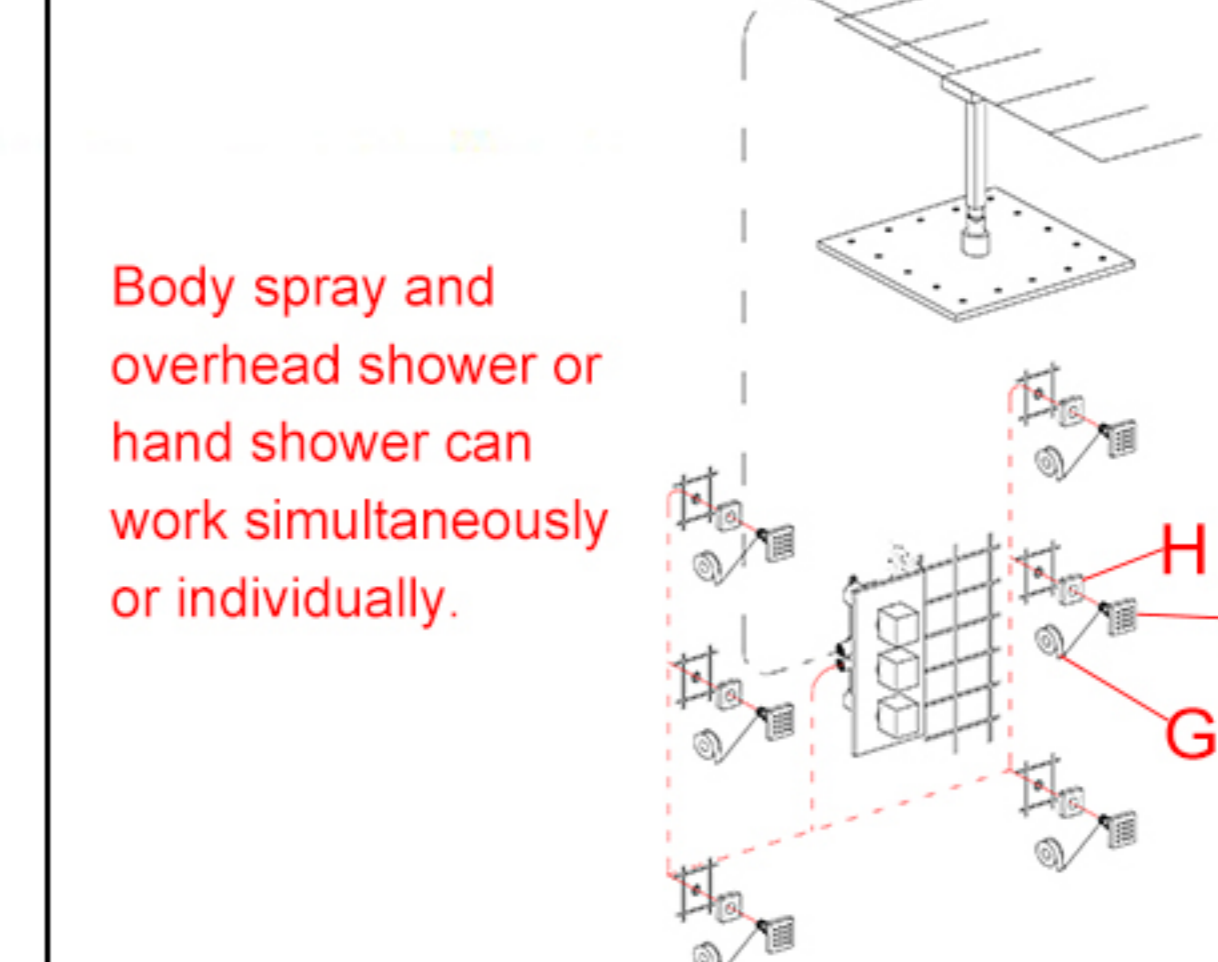
2. Wrap Teflon tape around the pipe threads. Connect hot and cold water supply lines and the all-in wall pipes (not Included) as desired to the shower valve (A). Turn on the water supply and open the cartridge to check for leaks. Then, put on the protective cover.



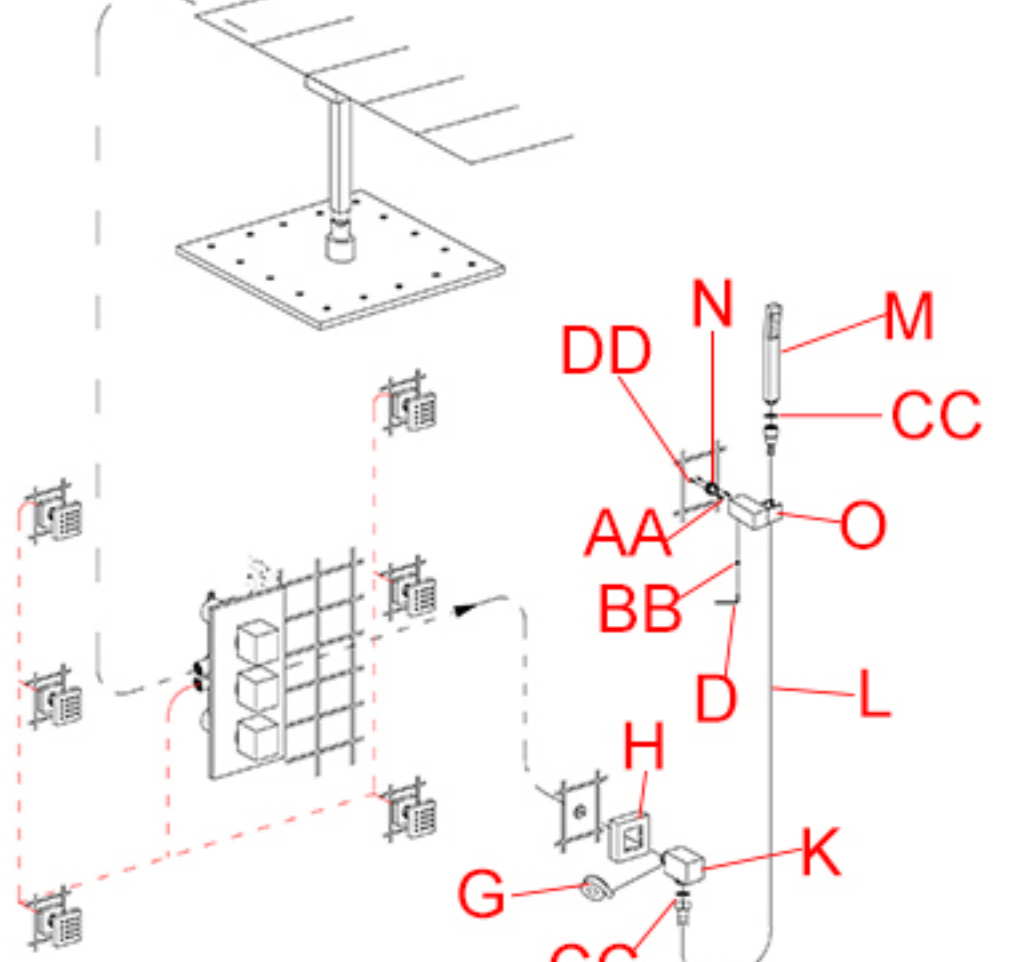
3. Remove the protective cover when the finished wall is completed and install the escutcheon (B) onto the valve (A) and press it against the finished wall. Then, install the handles (C), tighten set screw (BB) with Allen key (D) and put on the indication button (E).



4. Turn the water on for 1 minute to flush any debris. Wrap shower arm (F) threads with Teflon tape (G). Install the shower arm (F) into shower outlet through cover plate (H). Add a rubber washer (CC) and attach shower head (I) to shower arm (F).



5. Attach the cover plate (H) to the body spray (J). Then apply Teflon tape (G) to the threaded tail pipe of the body spray (J) and screw the body spray (J) into body spray outlet. (**Notice:** A pressure-balancing loop (not included) must always be used with body sprays to allow for equal supply of water to each spray.)



6. Wrap the threaded end of supply elbow (K) with Teflon tape (G). Fix the cover plate (H) onto the supply elbow (K) and install it into the handshower outlet. Place rubber washers (CC) in both ends of the shower hose (L). Connect shower hose (L) to the supply elbow (K) and the handshower (M). Install the wall bracket (N) to the wall with screws (AA). Attach the handshower holder (O) to the wall bracket (N) and tighten set screw (BB) with Allen key (D). Place the handshower (M).

Troubleshooting

Problem	Possible Cause	Corrective Action
Water does not shut off completely.	1. O-ring is not seated correctly or worn. 2. Cartridge may be defective.	1. Reseat or replace O-ring. 2. Replace cartridge.
Leaks at waterline connection.	1. Worn or broken washer. 2. Faucet body may be defective.	1. Replace washer. 2. Replace faucet (contact us for the replacement).
Leaks from handle.	1. Cartridge may come loose. 2. Cartridge may be defective.	1. Reseat cartridge tight. 2. Replace cartridge.
Leaks at hose connection.	1. Hose connection is loose.	1. Tighten hose. 2. Replace hose.
Leaks at shower valve connection.	1. Connection may come loose or not sealed completely. 2. Defective shower valve inlet or outlet connector.	1. Check connections. 2. Replace valve body.
Diverter knob does not work.	1. Diverter cartridge may be defective.	1. Replace cartridge.
LED light does not Light or noisy LED showerhead.	1. Defective LED generator.	1. Replace LED spray head (for kitchen faucet). 2. Replace LED threaded pipe (for separate faucet spout). 3. Replace LED generator (for others).
Low flow.	1. Check for water pressure problems. 2. Aerator may be dirty or clogged.	1. Clean or replace the aerator. 2. Remove waterflow restrictor if available. 3. Install booster or pump (if applicable).