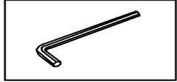


# Shower System Installation

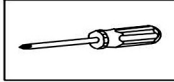
## INSTALLATION MANUAL Tools You Will Need:



Adjustable wrench



Hexagon wrench



Phillips Screwdriver

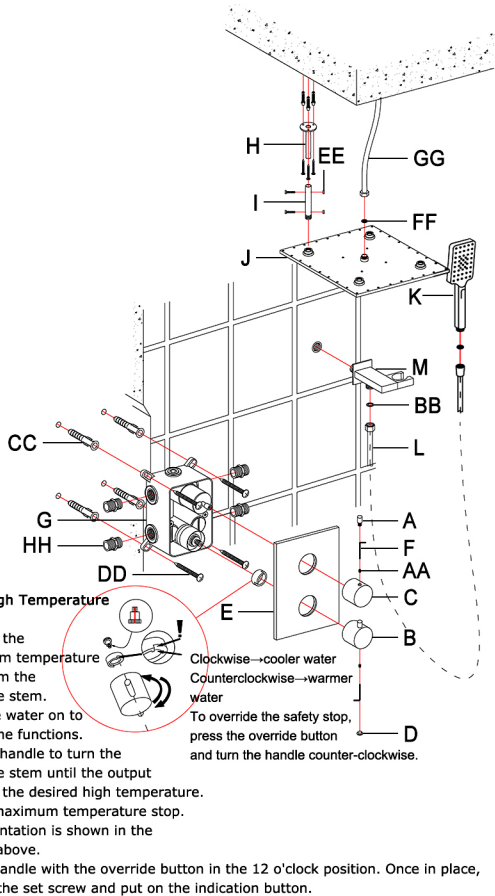
## Before the Installation

1. Check the package and confirm all parts are included. If any part is missing or damaged, please contact us.
2. Do not disassemble the main body, as it has been installed & commissioned correctly & precisely before leaving the factory.
3. Shut off the main water supply prior to beginning installation.
4. Do flush the water supply lines to remove any dirt and debris before installation (**IMPORTANT**).
5. Make sure to connect the hot/cold inlet pipe correctly. If standing in front, connect hot water pipe to the left and cold water pipe to the right.
6. After the installation, check for leaks and make sure every joint is safely sealed.

## Cleaning and Maintenance

1. Rinse with clean water and dry with a soft cloth.
2. Do not use any detergent, acid, polisher, abrasives, or harsh cleaners.
3. Do not use cloth with a coarse surface.

## Parts List



Part	Name	Quantity
A	little rod	1
B	diverter knob	1
C	handle	1
D	indication button	1
E	escutcheon	1
F	Allen key	1
G	shower valve	1
H	mounting bar	1
I	shower bar	1
J	shower head	1
K	hand shower	1
L	hand shower hose	1
M	wall supply holder	1
AA	set screws	2
BB	rubber washer	2
CC	anchor	7
DD	screw	9
EE	nut	2
FF	screen washer	1
GG	shower hose	not included
HH	NPT connectors	4

## Installation Guide

1. Mark the positions and drill holes to suit the anchors (CC). Install the anchors (CC) and fix the shower valve (G) into the wall with screws (DD). Use a level to ensure that the valve (G) is straight and level. (**Important:** Flush the water supply to remove any dirt and debris before installing the valve body.)
2. Wrap Teflon tape around the pipe threads and connect hot and cold water supply lines and in-wall pipes (not included) as desired to the valve (G). Turn on the water supply and open the cartridge to check for leakage. Then put on the protective cover (not included) and finish the wall surrounding the shower. (**Note:** Test the water pressure after the pipe connections have been made and before the finished wall material is installed.)
3. Remove the protective cover when the finished wall is completed. Then, install the escutcheon (E) and press it against the finished wall. Install the diverter knob (B) and handle (C) and tighten set screw (AA) with Allen key (F). Then screw the little rod (A) and indication button (D) into the handle (C) and diverter knob (B) respectively.

4. Mark the fixing positions and drill holes to suit the anchors (CC). Install the anchors (CC) and fix the mounting bar (H) to the ceiling with screws (DD). Screw the shower bar (I) into the shower head (J) tightly. Attach the shower bar (I) to the mounting bar (H) and fix screws (DD) and nuts (EE) to lock shower bar (I) with mounting bar (H) at the desired height. Add the screen washer (FF). Screw shower hose (GG, not included) to the water inlet on the shower head (J) and then to the water outlet in the ceiling.
5. Screw the wall supply holder (M) into the handshower outlet. Add rubber washer (BB) at both ends of the hand shower hose (L). Connect hand shower hose (L) to the wall supply holder (M) and hand shower (K). Then, place the hand shower (K) into the wall supply holder (M).

## Troubleshooting

Problem	Possible Cause	Corrective Action
Water does not shut off completely.	1. O-ring is not seated correctly or worn. 2. Cartridge may be defective.	1. Reseat or replace O-ring. 2. Replace cartridge.
Leaks at waterline connection.	1. Worn or broken washer. 2. Faucet body may be defective.	1. Replace washer. 2. Replace faucet (contact us for the replacement).
Leaks from handle.	1. Cartridge may come loose. 2. Cartridge may be defective.	1. Reseat cartridge tight. 2. Replace cartridge.
Leaks at hose connection.	1. Hose connection is loose.	1. Tighten hose. 2. Replace hose.
Leaks at shower valve connection.	1. Connection may come loose or not sealed completely. 2. Defective shower valve inlet or outlet connector.	1. Check connections. 2. Replace valve body.
Diverter knob does not work.	1. Diverter cartridge may be defective.	1. Replace cartridge.
LED light does not Light or noisy LED showerhead.	1. Defective LED generator.	1. Replace LED spray head (for kitchen faucet). 2. Replace LED threaded pipe (for separate faucet spout). 3. Replace LED generator (for others).
Low flow.	1. Check for water pressure problems. 2. Aerator may be dirty or clogged.	1. Clean or replace the aerator. 2. Remove waterflow restrictor if available. 3. Install booster or pump (if applicable).