

## Sideboard Installation

### INSTALLATION MANUAL Tools You Will Need:



Adjustable wrench



Hexagon wrench



Phillips Screwdriver

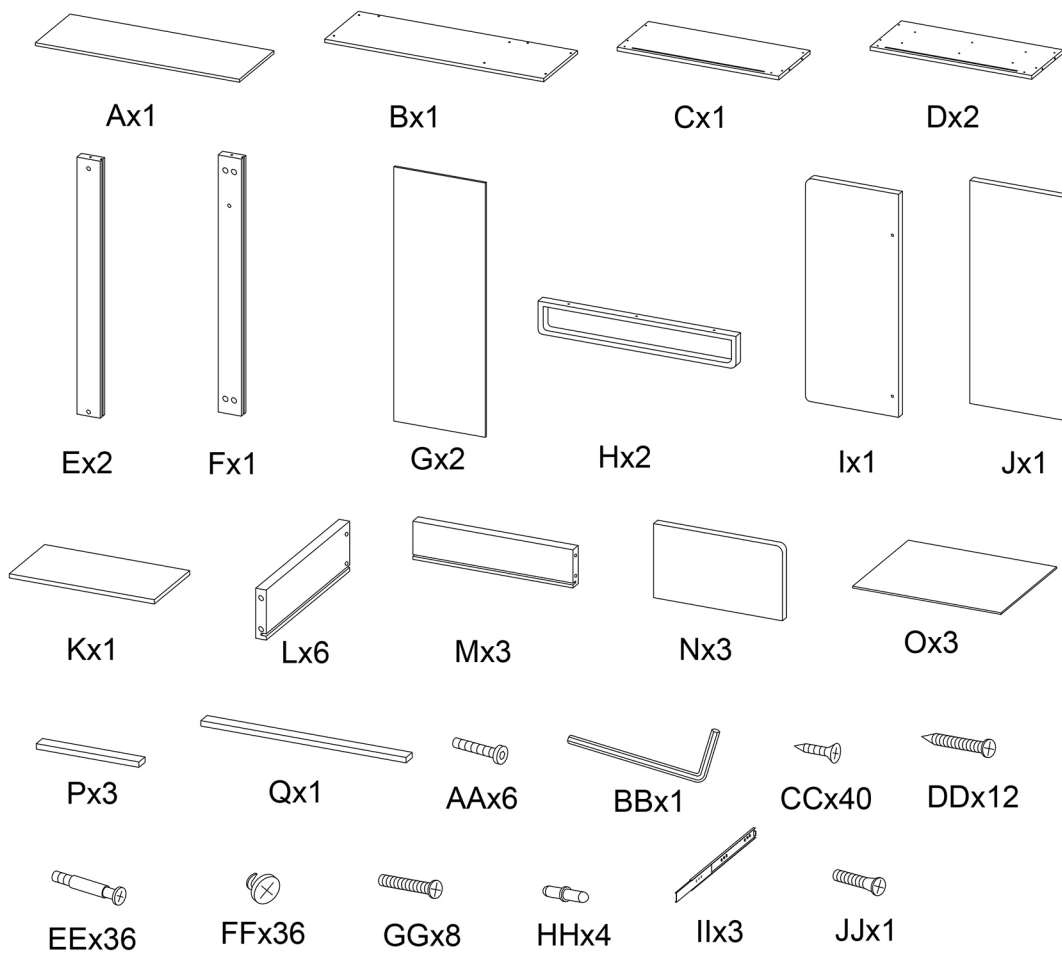
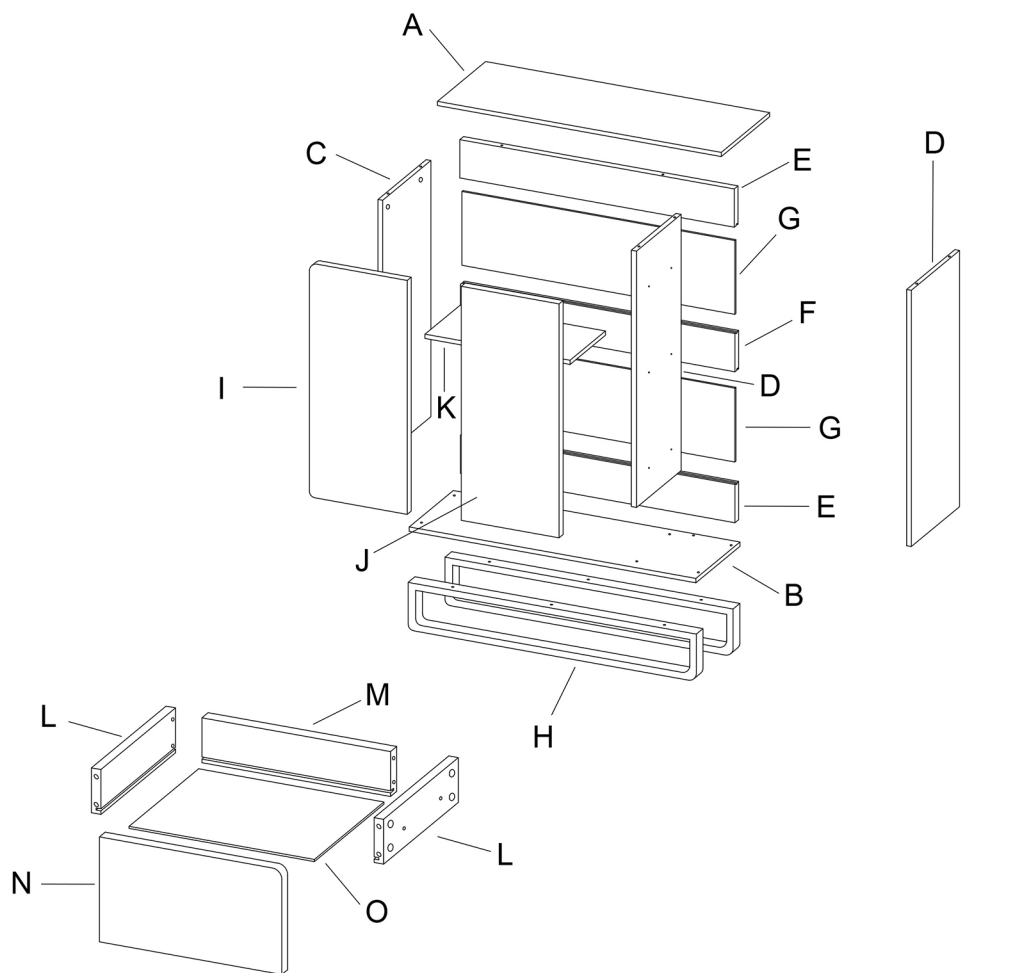
### Before the Installation

1. Do not throw away packing materials until assembly is complete for small parts may come loose inside the carton during shipment. If parts are missing, please contact us.
2. Assemble this item on a soft surface, such as carpet to protect the finish.
3. Proper assembly of this item requires 2 people.
4. Periodically check to ensure that all connections are tight.
5. It is recommended that installation of the product be done by a qualified licensed plumber.

### Care and Cleaning

1. To protect the finish, avoid use chemicals and household cleaners.
2. All hot serving dishes should be placed on a pad.
3. Any liquid spilled onto the top should be cleaned up immediately with a damp cloth.

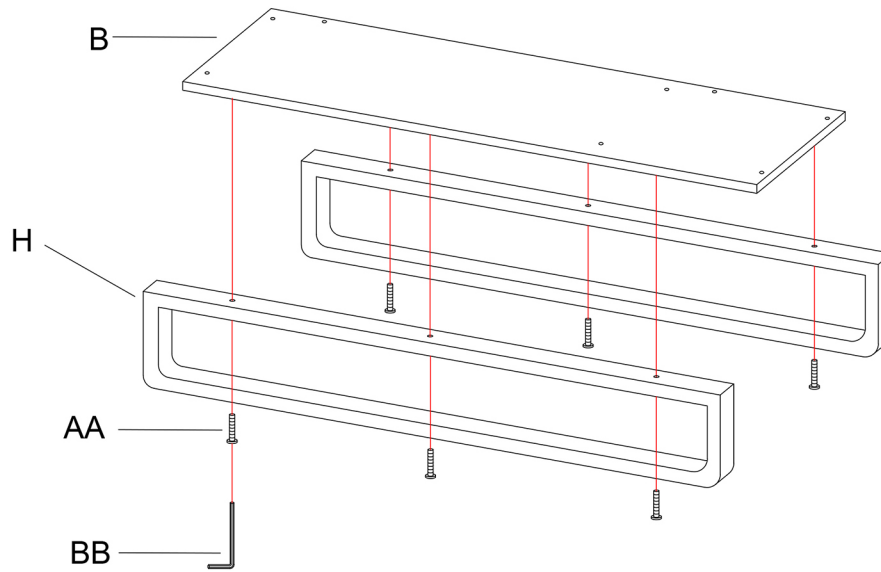
# Parts List



# Step 1

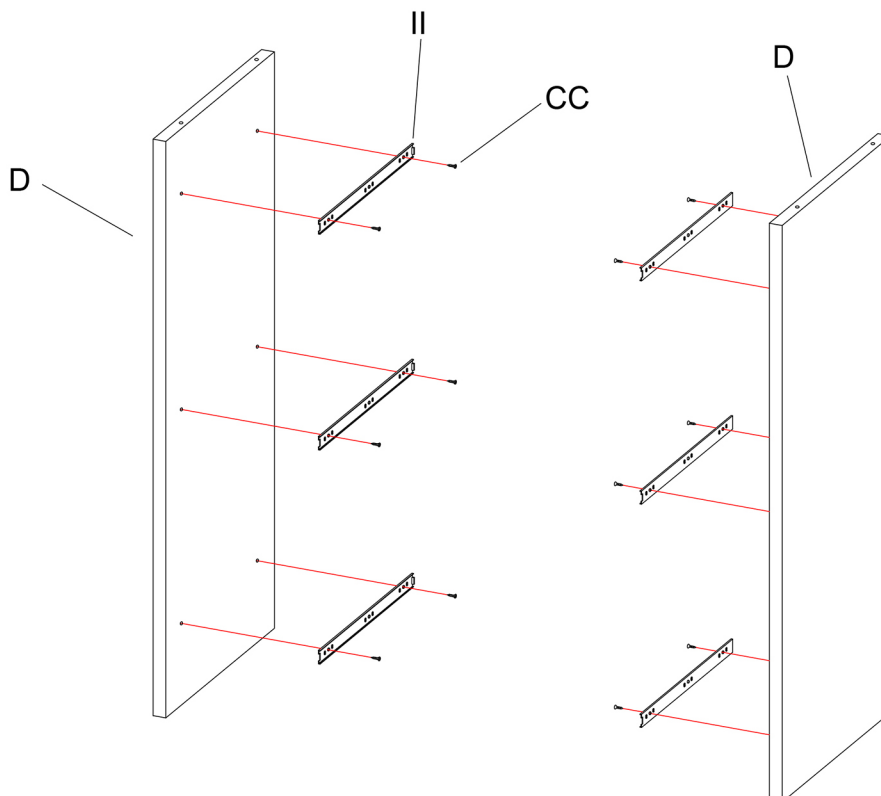
AA  x6

BB  x1



# Step 2

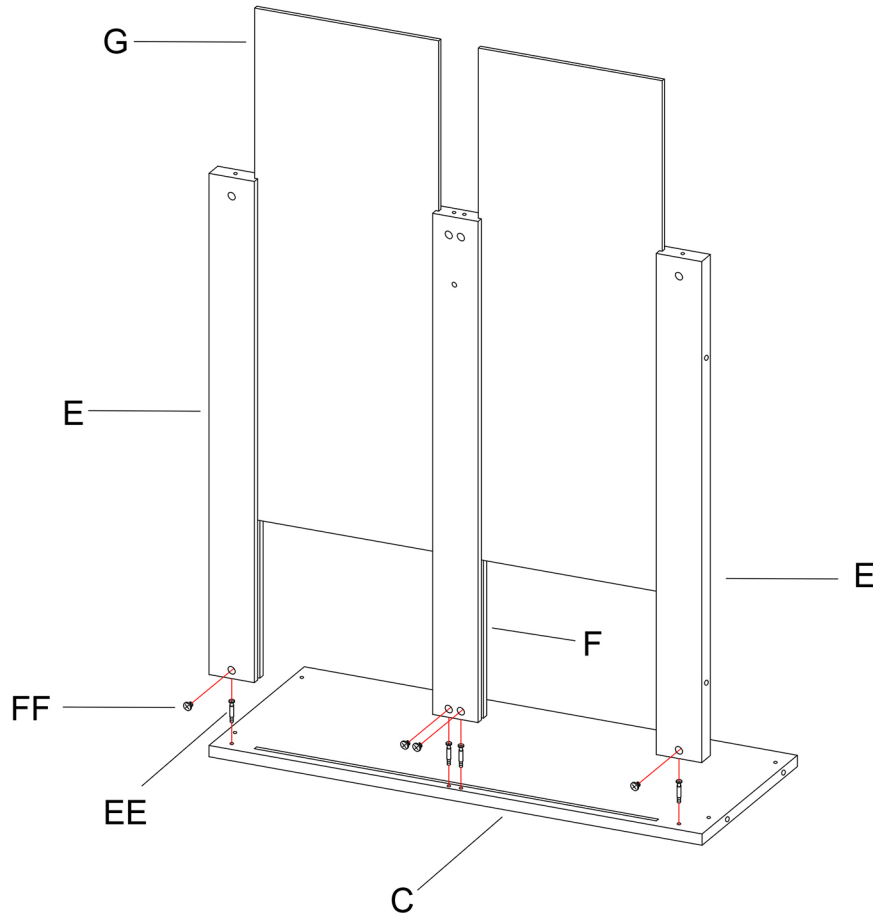
CC  x12



# Step 3

EE  x4

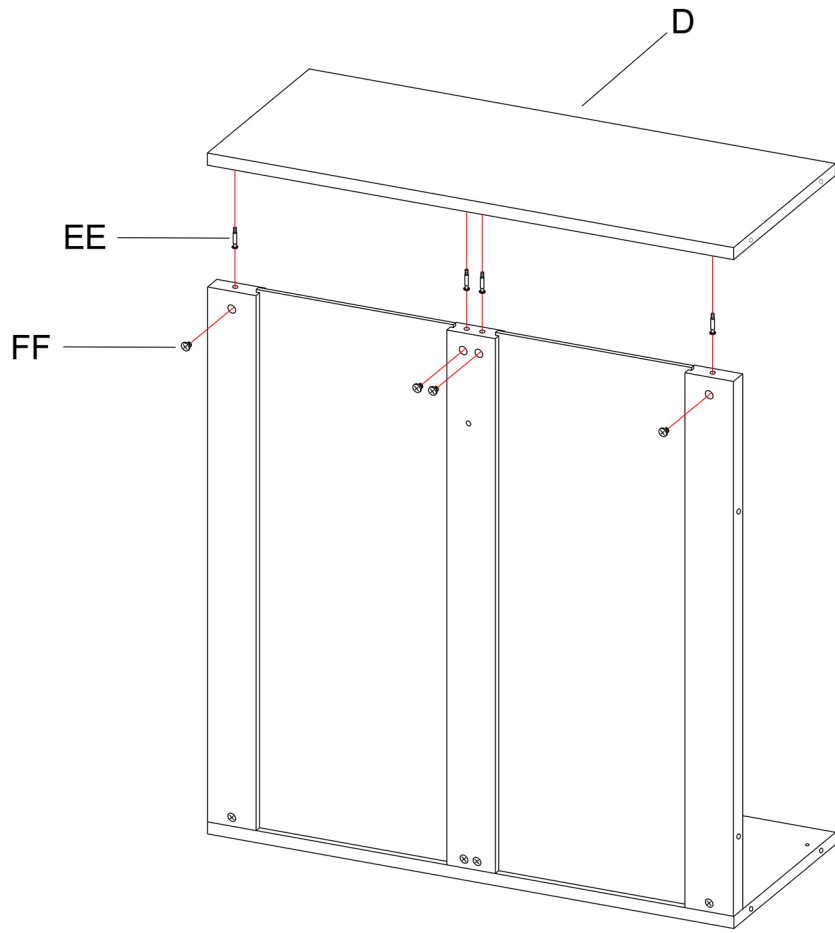
FF  x4



# Step 4

EE  x4

FF  x4

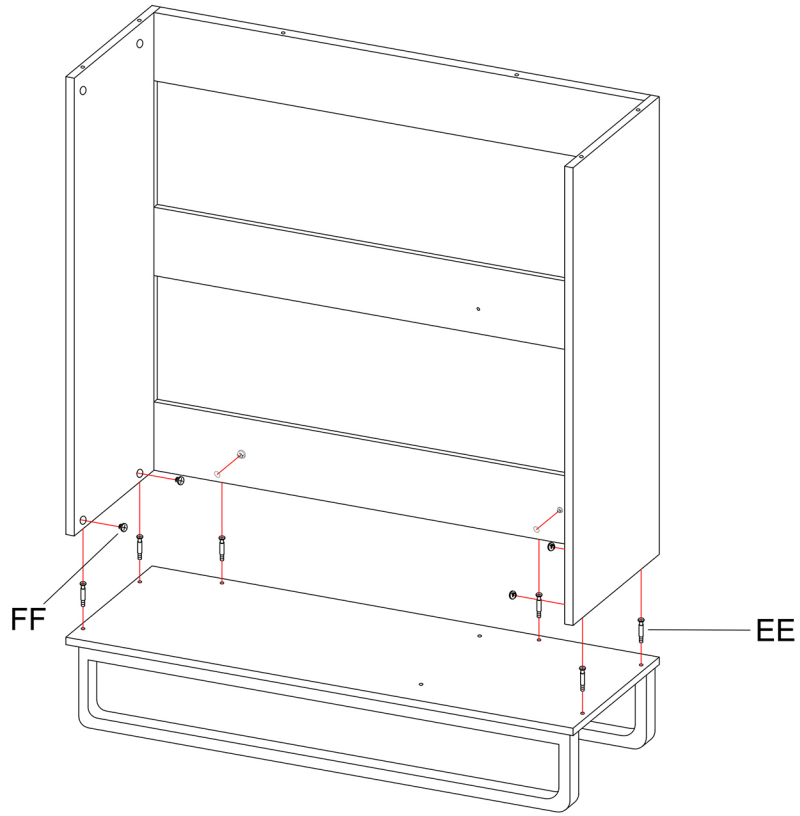




# Step 5

EE  x6

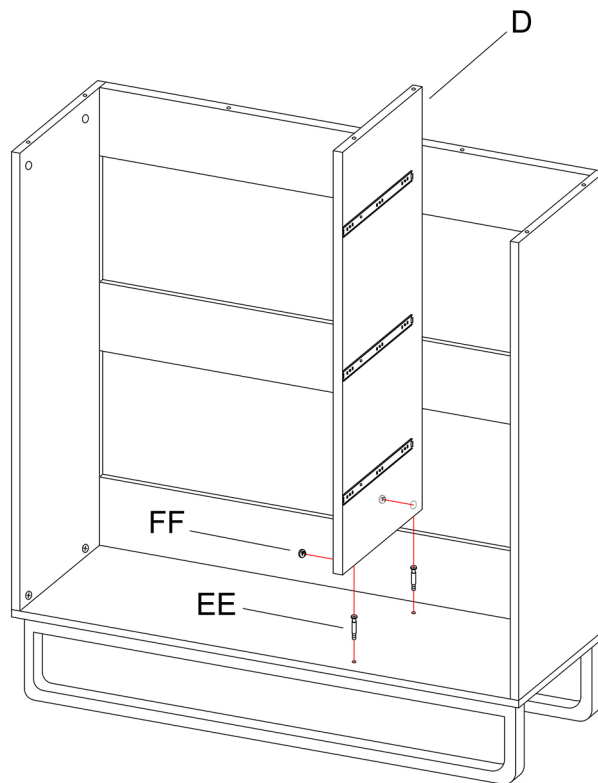
FF  x6



# Step 6

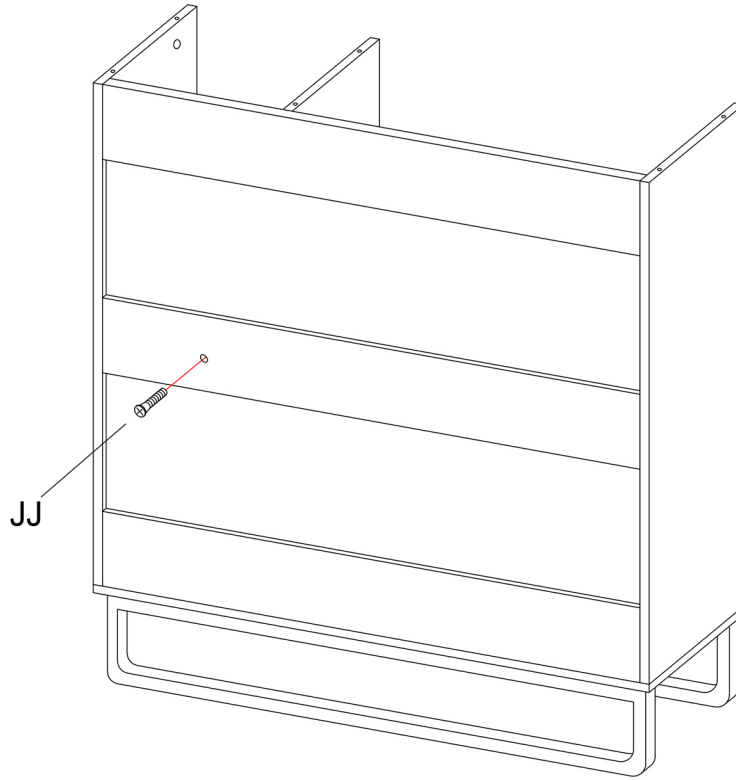
EE  x2

FF  x2



# Step 7

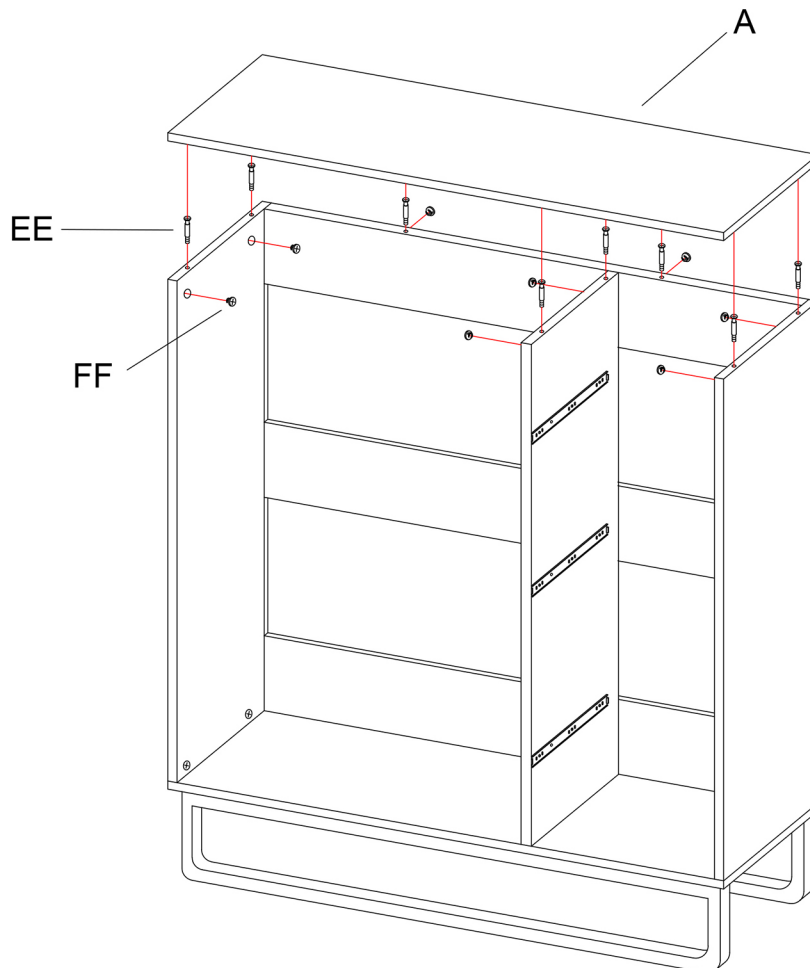
JJ  x1



# Step 8

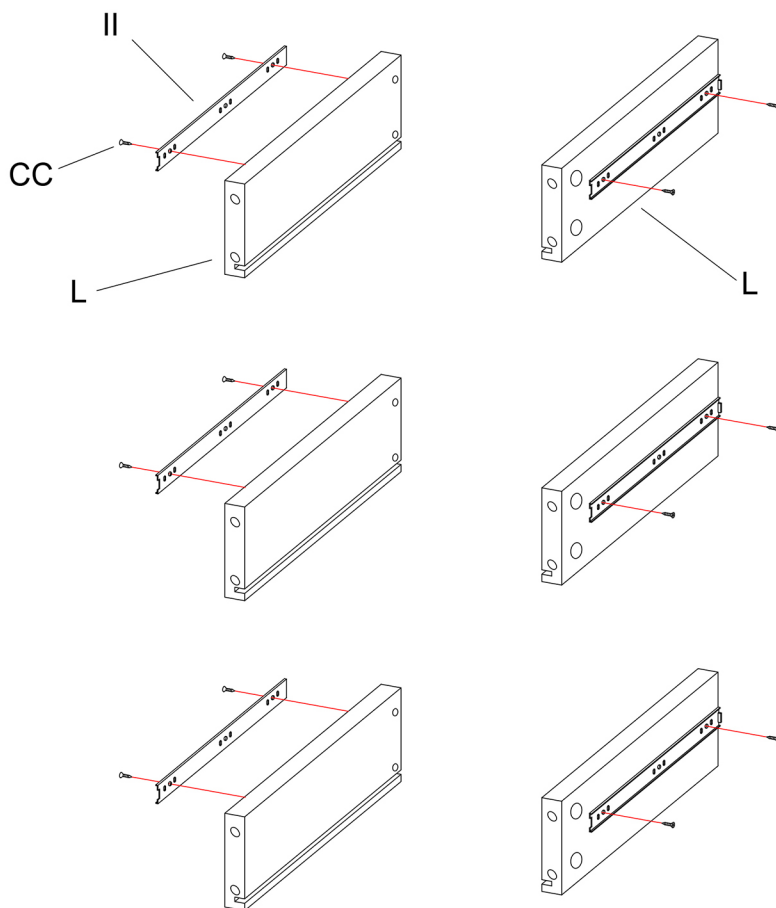
EE  x8

FF  x8



# Step 9

CC  x12



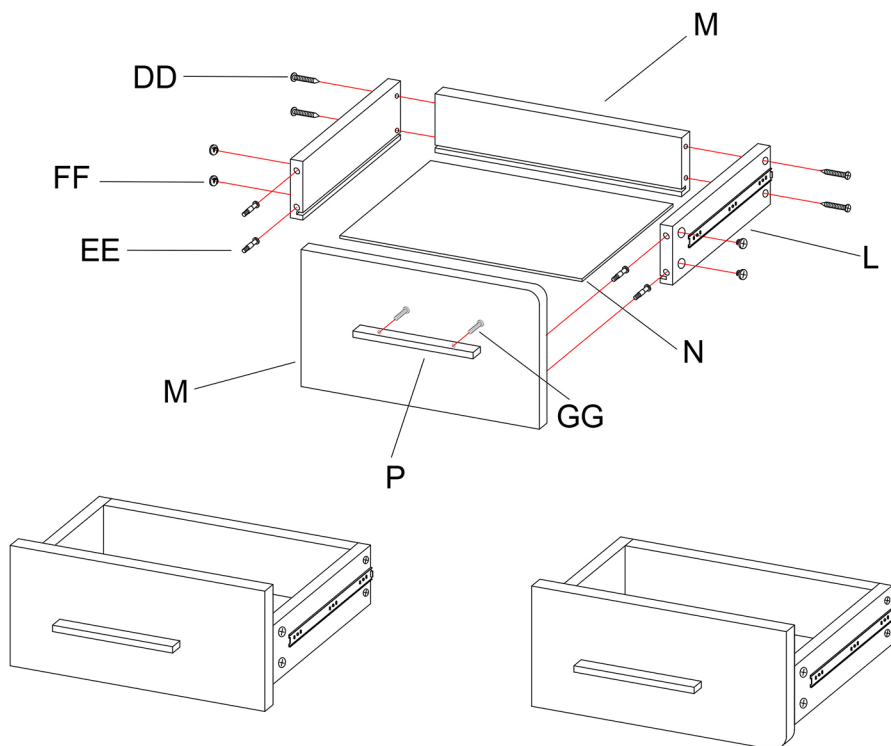
# Step 10

DD  x12

EE  x12

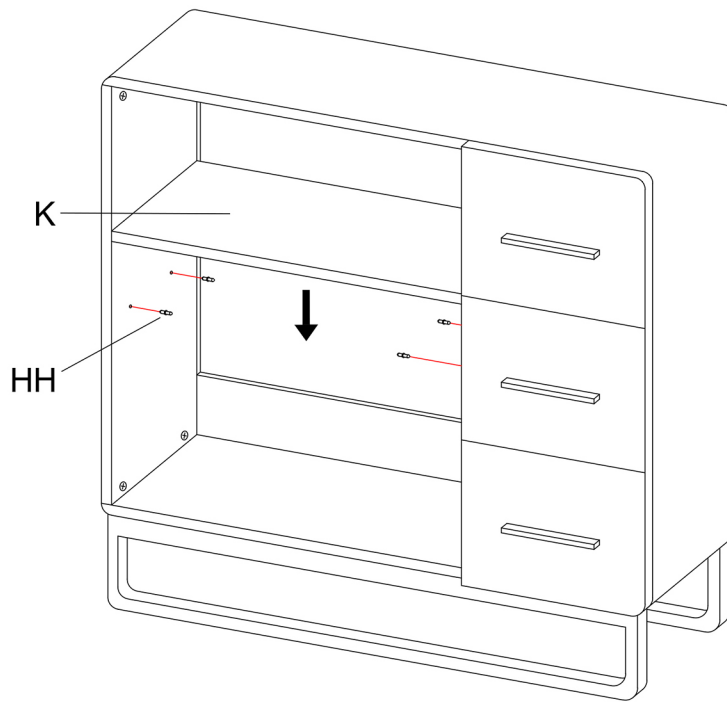
FF  x12

GG  x6



# Step 11

HH  x4



# Step 12

CC  x16

GG  x2

