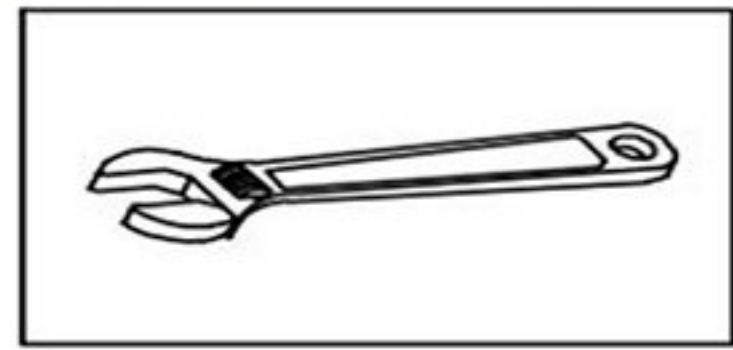
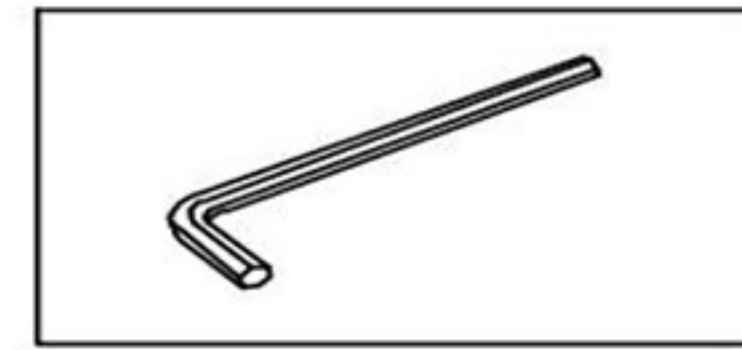


Split Bathtub Faucet Installation

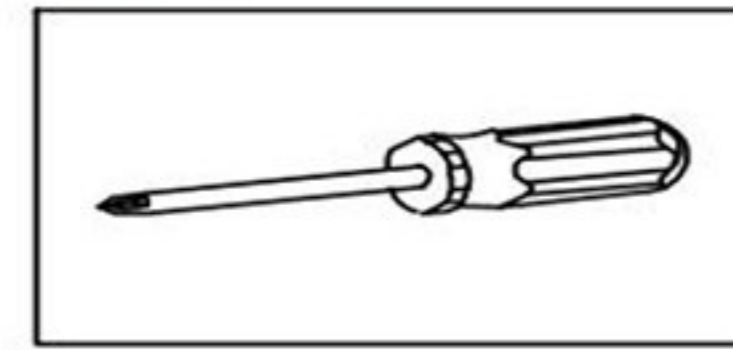
INSTALLATION MANUAL Tools You Will Need:



Adjustable Wrench



Hexagon wrench



Philips Screwdriver

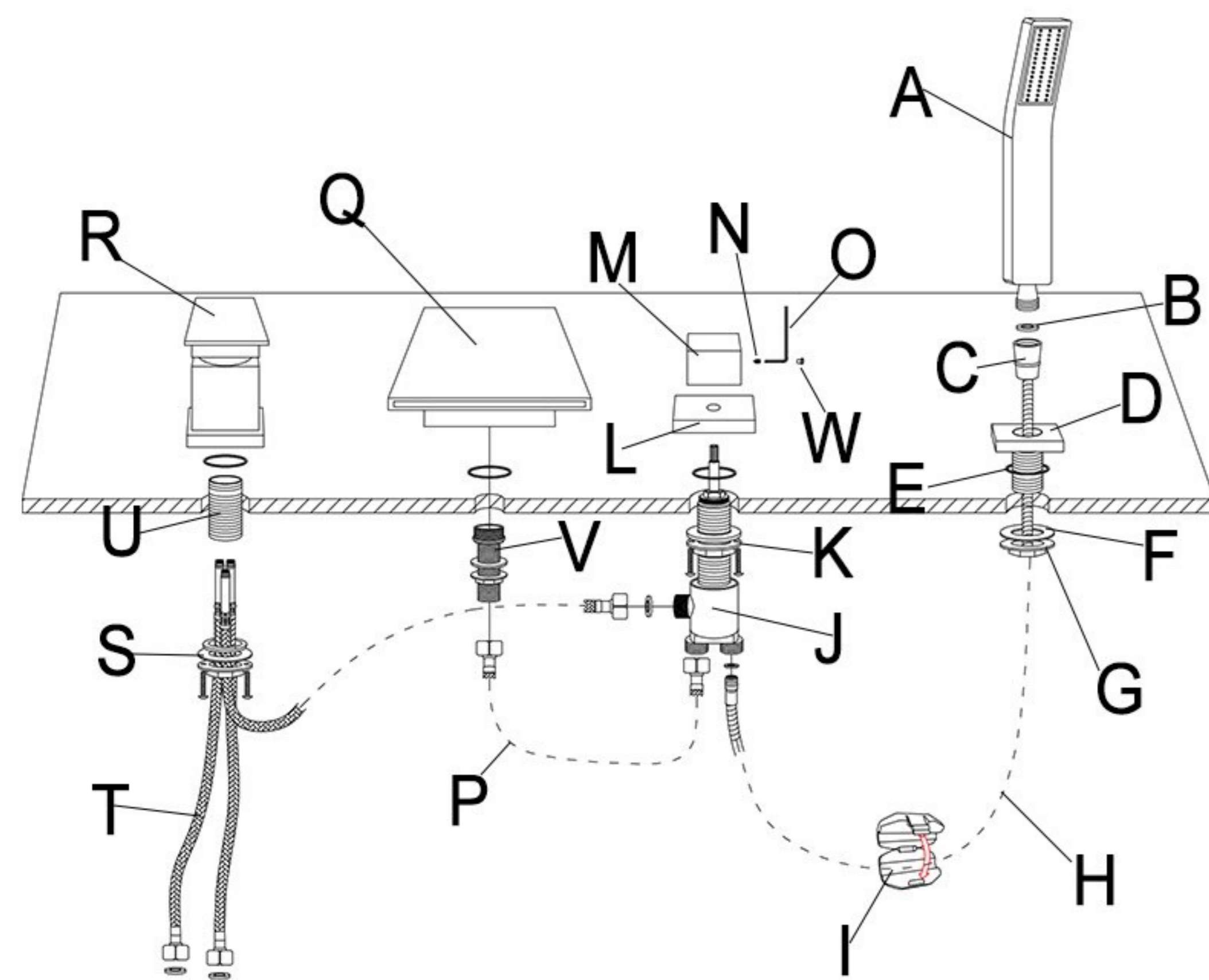
Before the Installation

1. Check the package and confirm all parts are included. If any part is missing or damaged, please contact us.
2. Do not disassemble the main body, as it has been installed & commissioned correctly & precisely before leaving the factory.
3. Shut off the main water supply prior to beginning installation.
4. Do flush the water supply lines to remove any dirt and debris before installation (**IMPORTANT**).
5. Make sure to connect the hot/cold inlet pipe correctly. If standing in front, connect hot water pipe to the left and cold water pipe to the right.
6. After the installation, check for leaks and make sure every joint is safely sealed.

Cleaning and Maintenance

1. Rinse with clean water and dry with a soft cloth.
2. Do not use any detergent, acid, polisher, abrasives, or harsh cleaners.
3. Do not use cloth with a coarse surface.

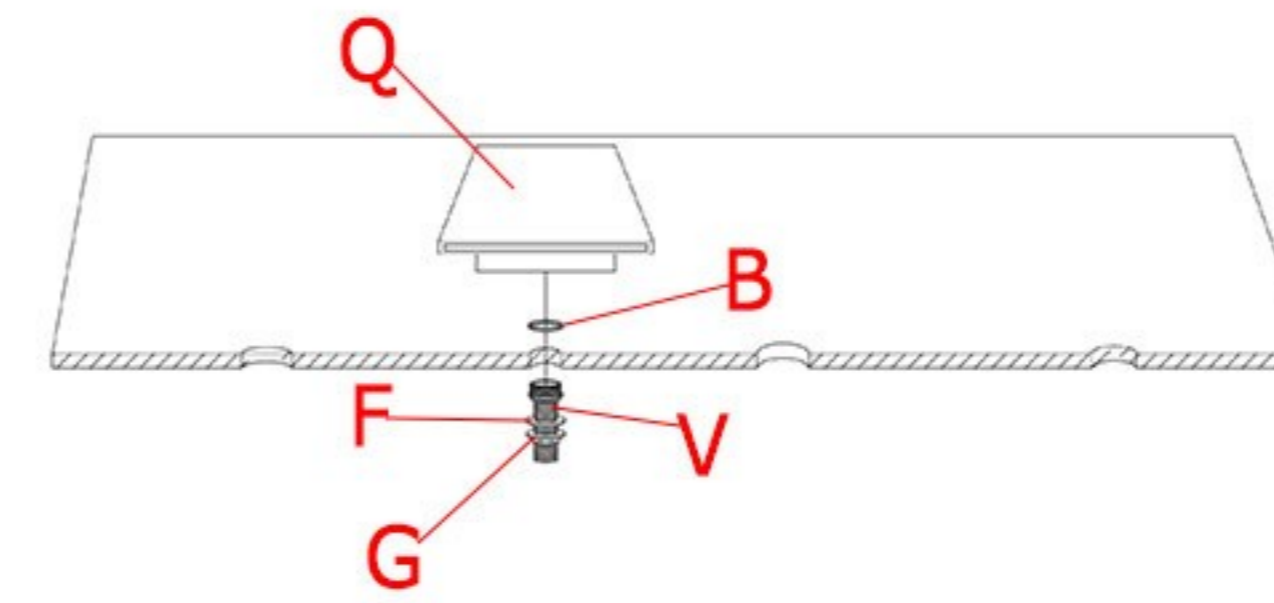
Parts List



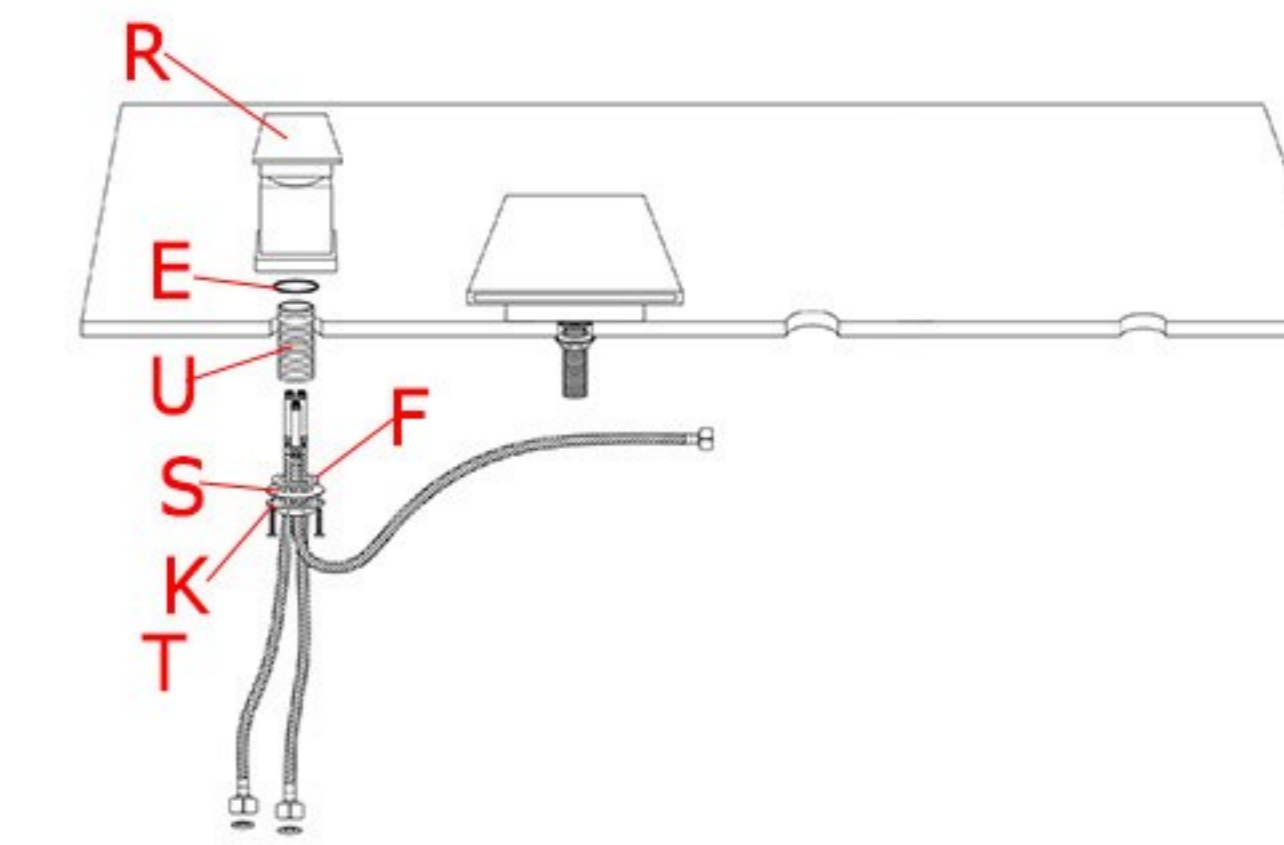
Part	Name	Quantity
A	hand shower	1
B	spacer	5
C	hose	1
D	escutcheon	1
E	O-ring	4
F	rubber washer	4
G	small mounting nut	2
I	weight ball	1
J	diverter valve	1
K	big mounting nut	2
L	cover plate	1
M	diverter button	1
N	set screw	1
O	Allen key	1
P	double ended pipe	1
Q	spout	1

Part	Name	Quantity
R	handle	1
S	metal washer	1
T	cold / hot waterline	3
U	big threaded pipe	2
V	small threaded pipe	1
W	indication button	1

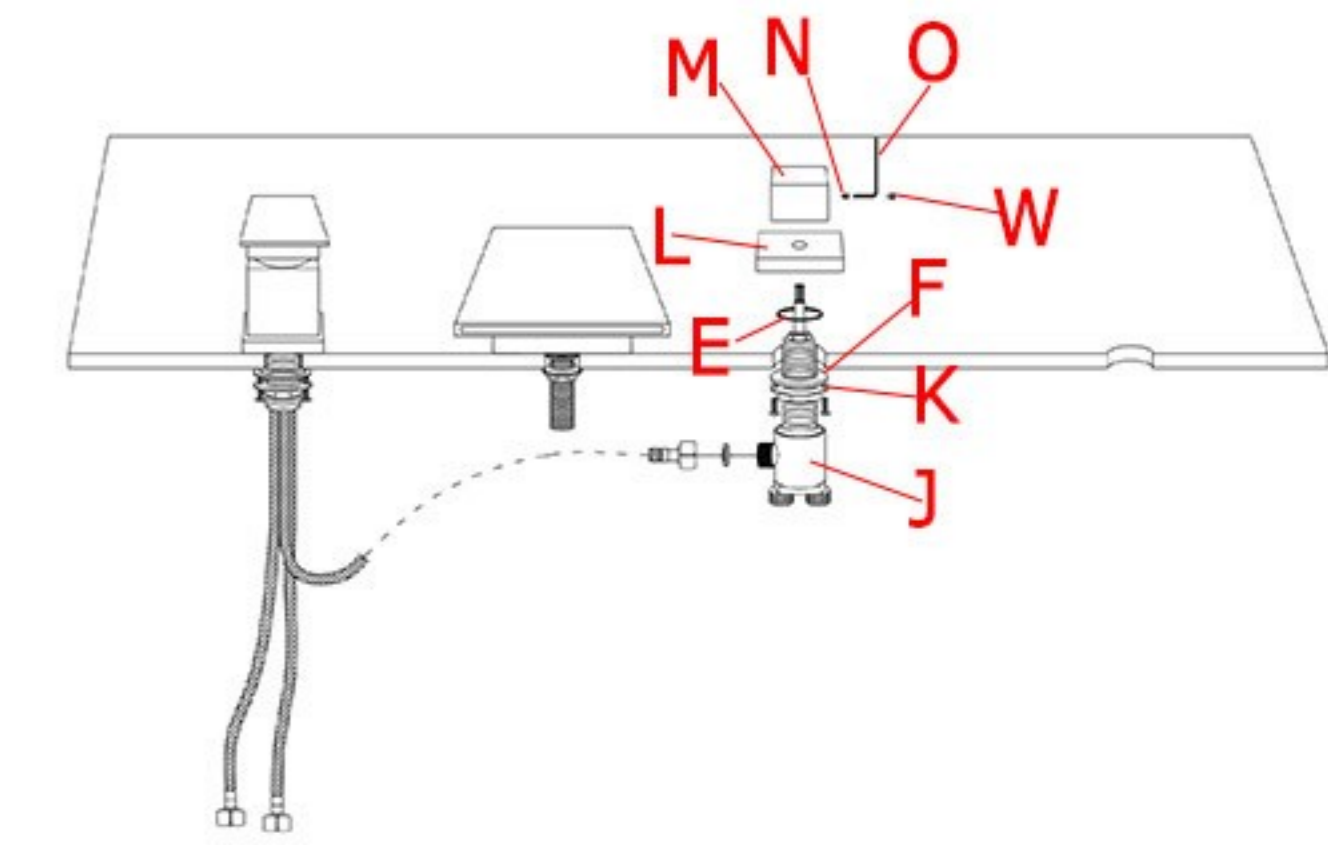
Installation Guide



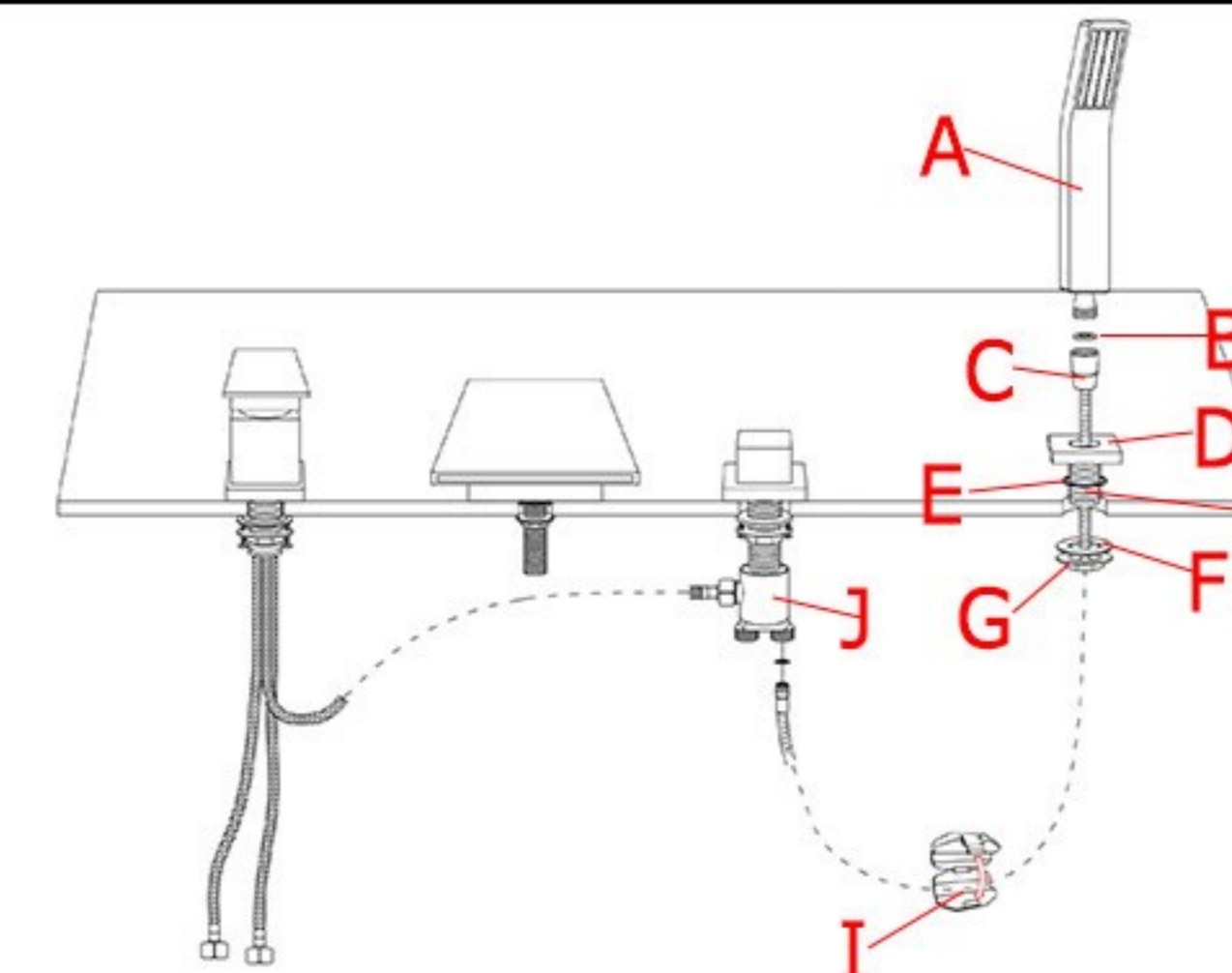
1. Remove the rubber washer (F) and small mounting nut (G) from the small threaded pipe (V). Insert the pipe into pre-drilled hole on the countertop. Put the spacer (B) into the small threaded pipe and screw the spout (Q) onto the pipe. Make sure the spout level and straight, and then secure the rubber washer and small mounting nut back to the pipe.



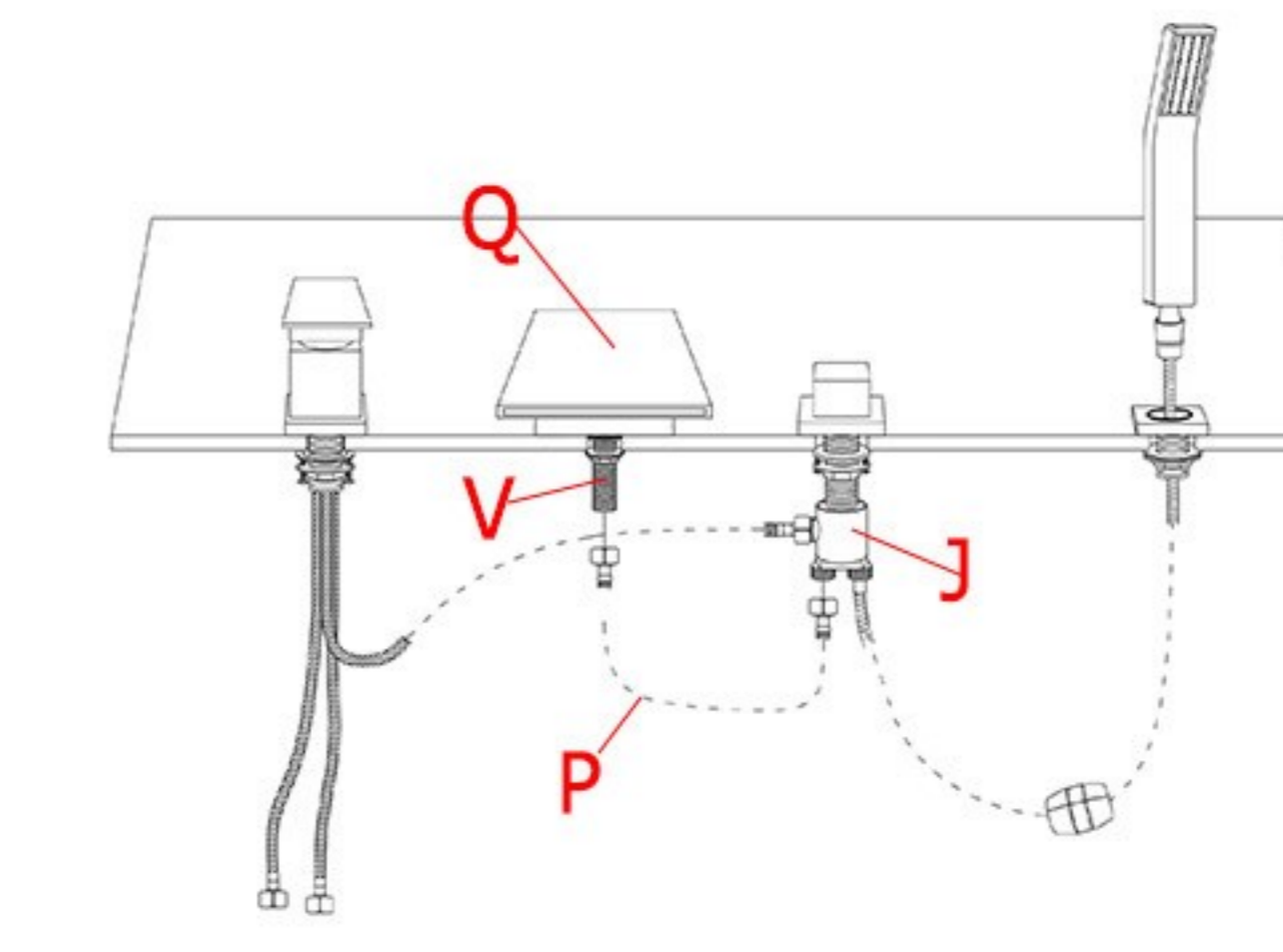
2. Remove O-ring (E), rubber washer (F), metal washer (S) and big mounting nut (K) from the threaded pipe (U) of the handle (R). Fit the O-ring to the groove bottom of the handle and screw the pipe into the handle. Fix the cold and hot waterlines (T) through the pipe to the handle. Insert the handle and waterlines into the pre-drilled hole on the countertop. Make sure the handle level and straight, and then secure the rubber washer, metal washer and big mounting nut back to the pipe.



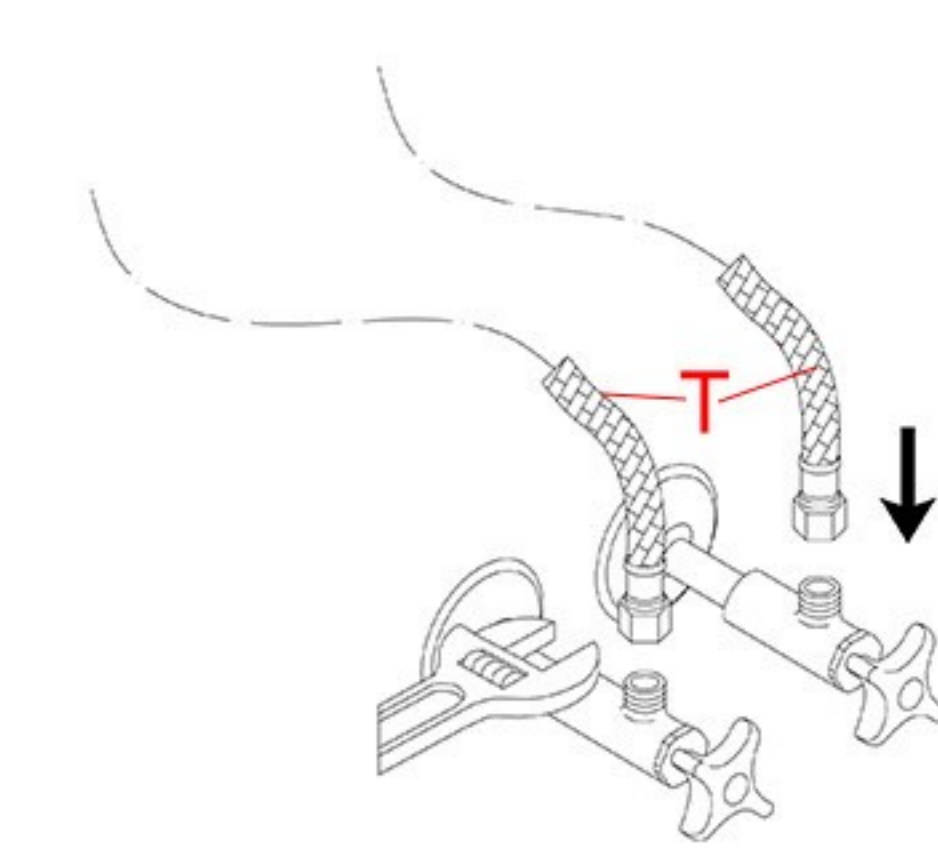
3. Insert the diverter valve (J) through the pre-drilled hole from underneath on the countertop. Put an O-ring (E) and the cover plate (L) to the valve in turn. Attach the diverter button (M) and fix it to the valve by screwing the set screw (N) with the Allen key (O), and then insert the indication button (W). Tighten the rubber washer (F) and big mounting nut (K) to fix the valve. Connect one hot waterline (T) to the diverter valve.



4. Insert the big threaded pipe (U) into the hole on the countertop. Put an O-ring (E) on the pipe and screw the escutcheon (D) to the pipe. Feed the hose (C) through the pipe and tighten rubber washer (F) and small mounting nut (G) to fix the pipe. Insert a spacer (B) to one end of the hose and connect the end to the hand shower (A). Attach a spacer to the other end and connect it with the valve (J). Install the weight ball (I) to the hose.



5. Connect the double ended pipe (P) to the threaded pipes (V) of the spout (Q) and the diverter valve (J).



6. Connect the hot and cold waterlines (T) to the water supply elbows (not included).

Troubleshooting

Problem	Possible Cause	Corrective Action
Water does not shut off completely.	1. O-ring is not seated correctly or worn. 2. Cartridge may be defective.	1. Reseat or replace O-ring. 2. Replace cartridge.
Leaks at waterline connection.	1. Worn or broken washer. 2. Faucet body may be defective.	1. Replace washer. 2. Replace faucet (contact us for the replacement).
Leaks from handle.	1. Cartridge may come loose. 2. Cartridge may be defective.	1. Reseat cartridge tight. 2. Replace cartridge.
Leaks at hose connection.	1. Hose connection is loose.	1. Tighten hose. 2. Replace hose.
Leaks at shower valve connection.	1. Connection may come loose or not sealed completely. 2. Defective shower valve inlet or outlet connector.	1. Check connections. 2. Replace valve body.
Diverter knob does not work.	1. Diverter cartridge may be defective.	1. Replace cartridge.
LED light does not Light or noisy LED showerhead.	1. Defective LED generator.	1. Replace LED spray head (for kitchen faucet). 2. Replace LED threaded pipe (for separate faucet spout). 3. Replace LED generator (for others).
Low flow.	1. Check for water pressure problems. 2. Aerator may be dirty or clogged.	1. Clean or replace the aerator. 2. Remove waterflow restrictor if available. 3. Install booster or pump (if applicable).