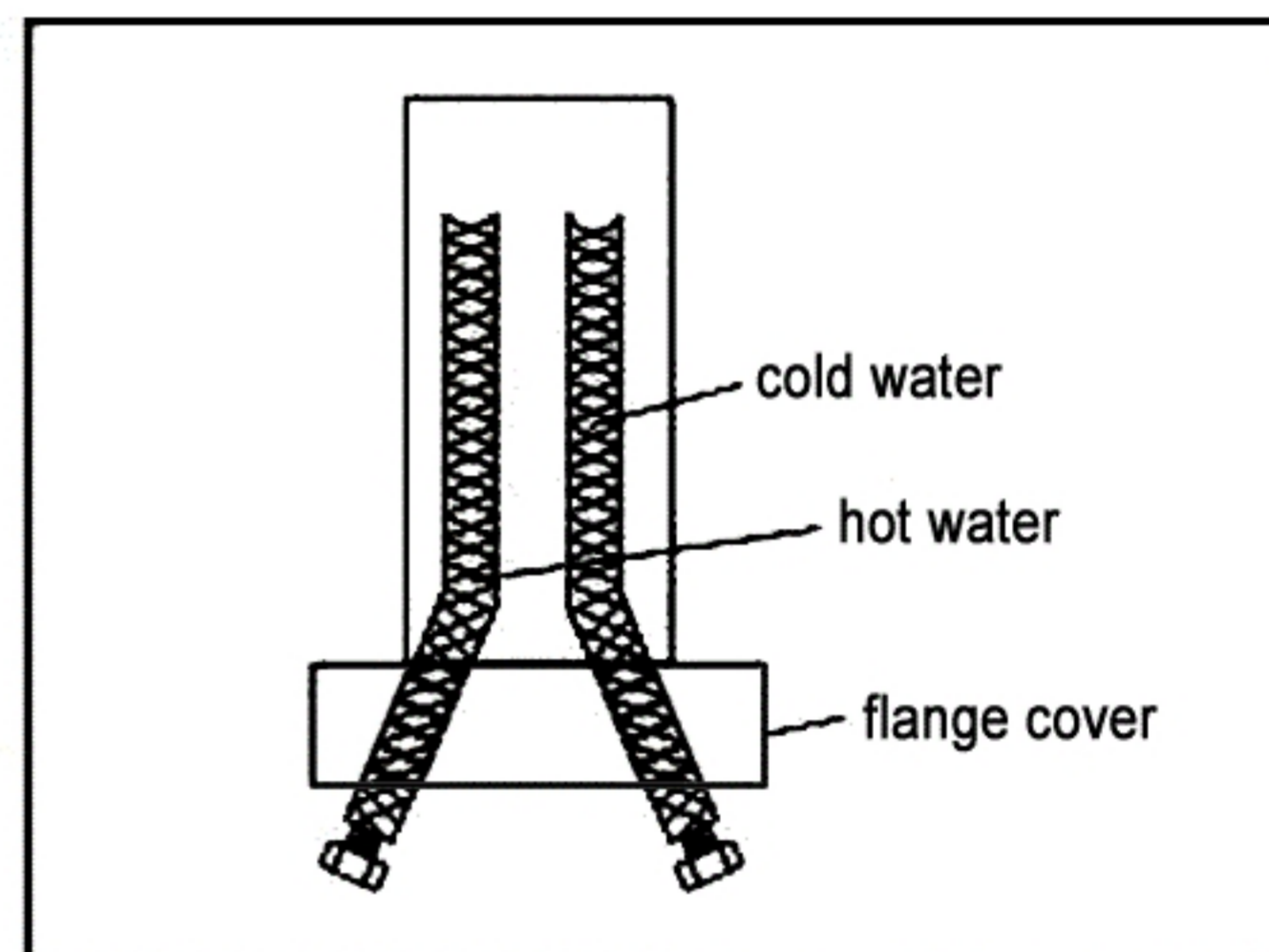
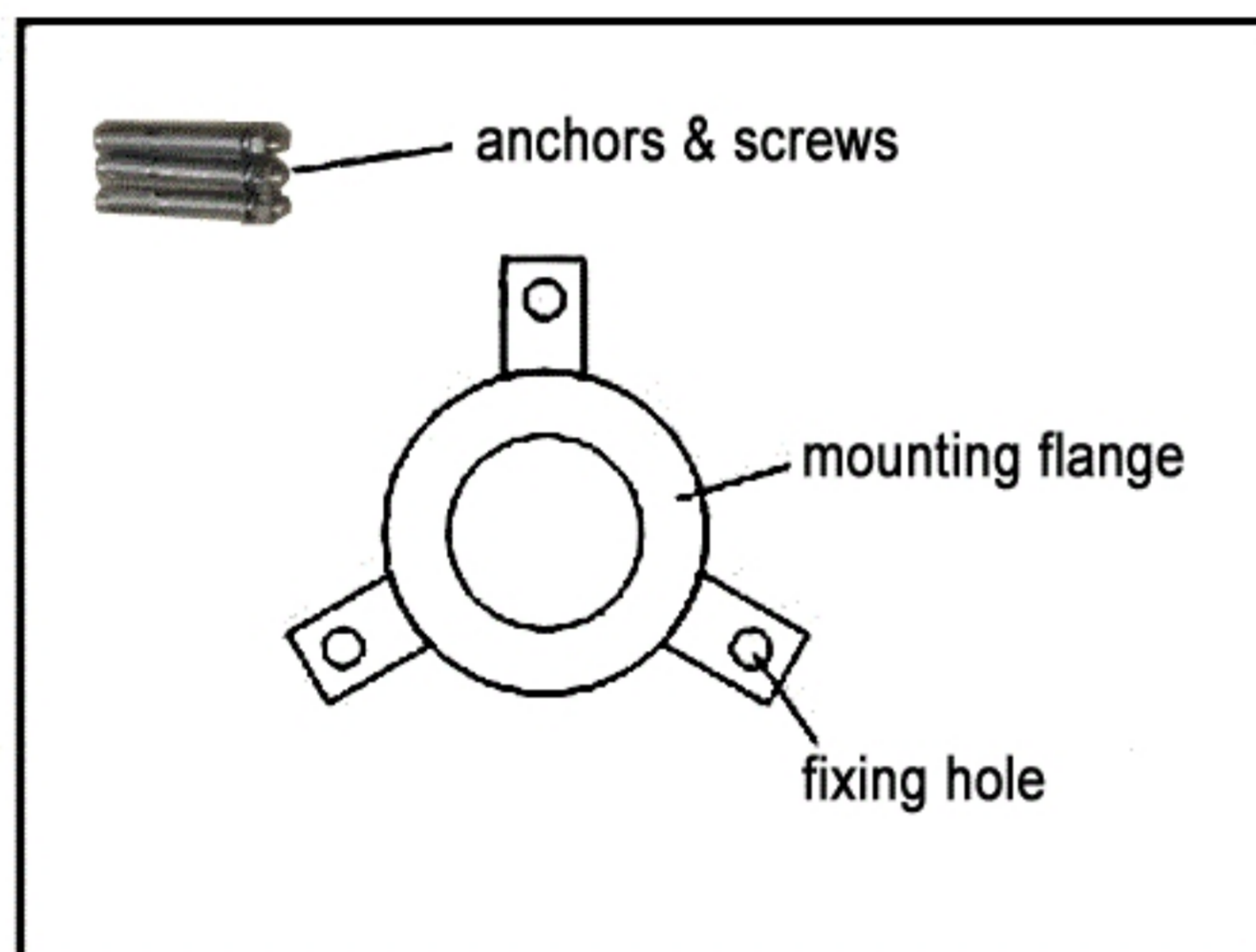
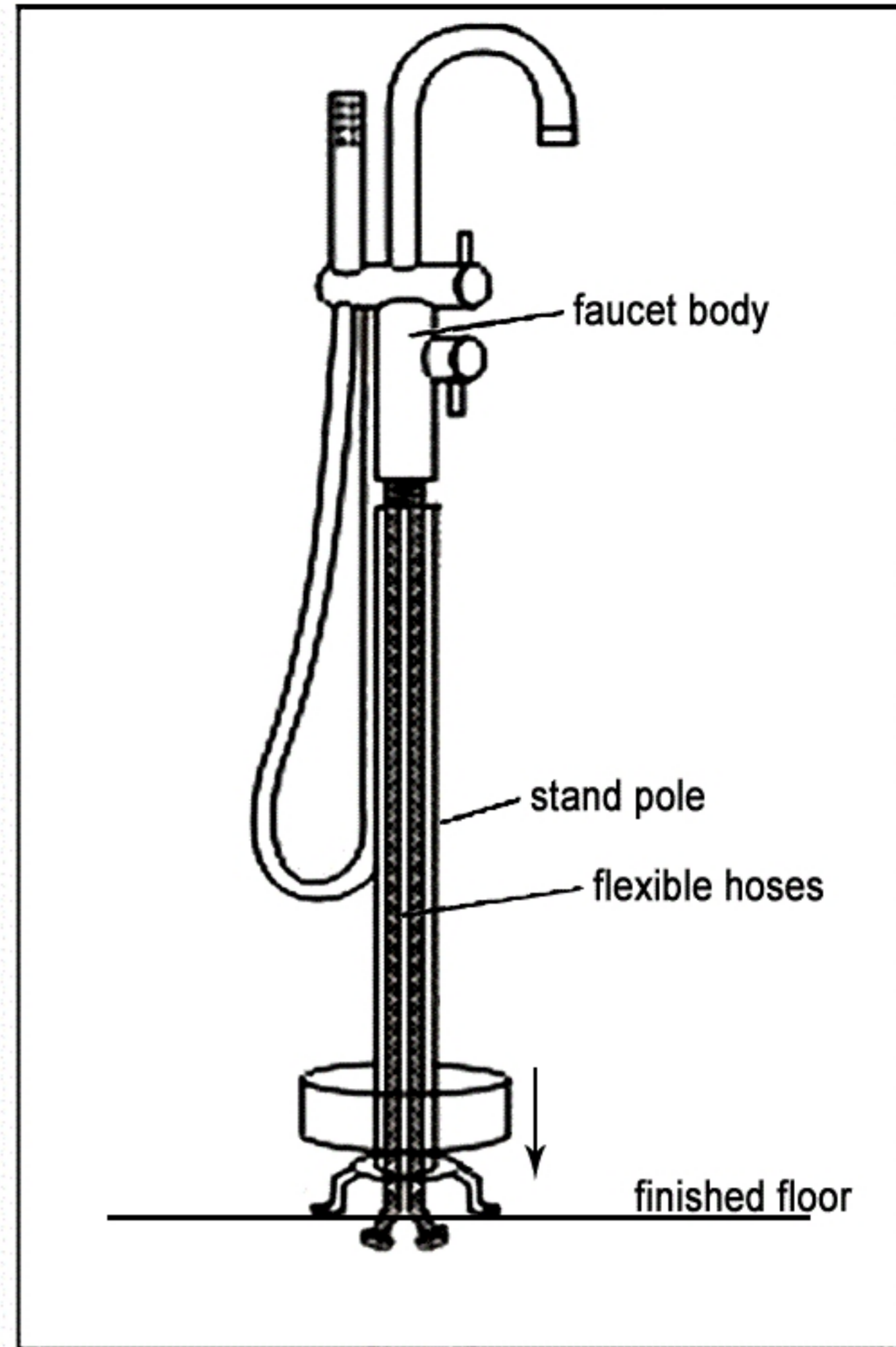
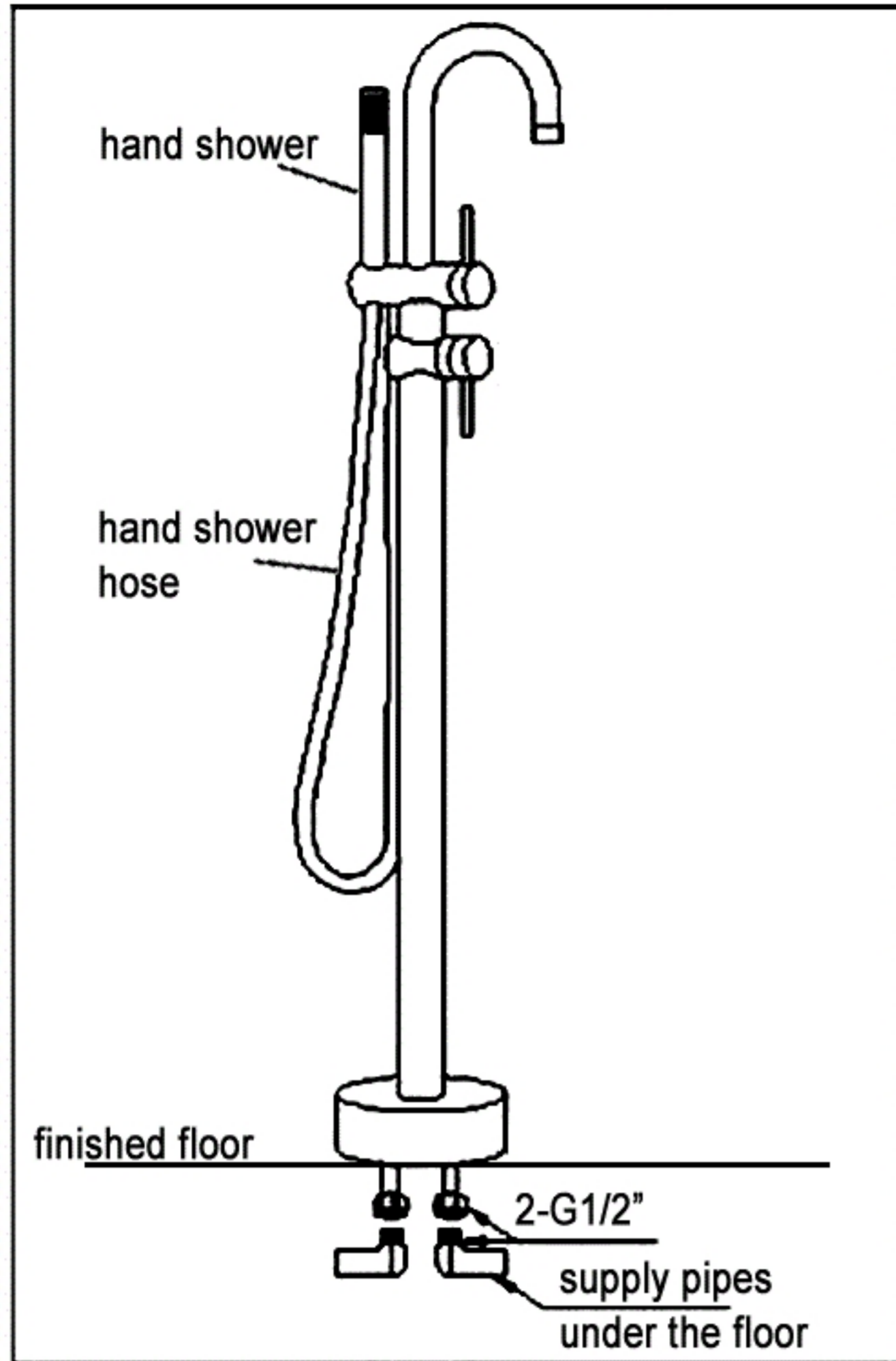


Freestanding Tub Faucet Installation Instructions



Notes:

1. This instruction is typical faucet installation method as the reference guide, may differ from your actual product. The installation steps are still applicable.
2. To avoid the faucet from jamming, DO flush the pipe work thoroughly before installation.
3. It is recommended that installation of the product be done by a professional plumber.

Installation Steps:

1. Insert the flange cover onto the stand pole.
2. Screw the mounting flange into the stand pole.
3. Insert the flexible hose through the stand pole and then screw the hose into the inlet hole of faucet body.
4. Connect another flexible hose to faucet body in the same way.
- 5-1. Insert the stand pole into the faucet body and tighten the two fixing screws with alley key.
- 5-2. Screw the stand pole into the faucet body with hand tightly.
6. Connect the flexible hoses to the water supplies in the floor. Use the anchors and screws to fix the mounting flange flush with the top of the finished floor.
7. Push flange cover flush against the finished floor.