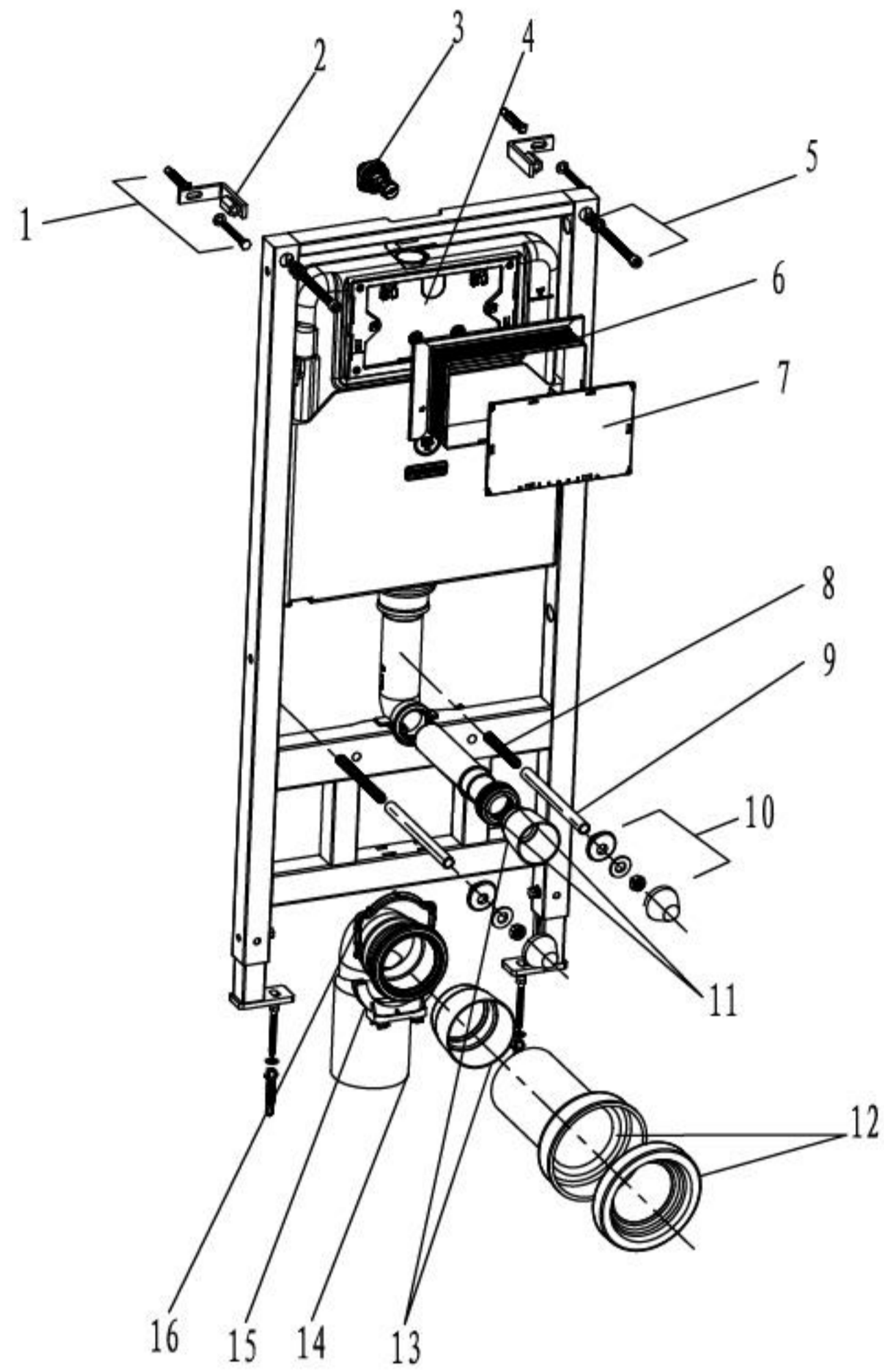


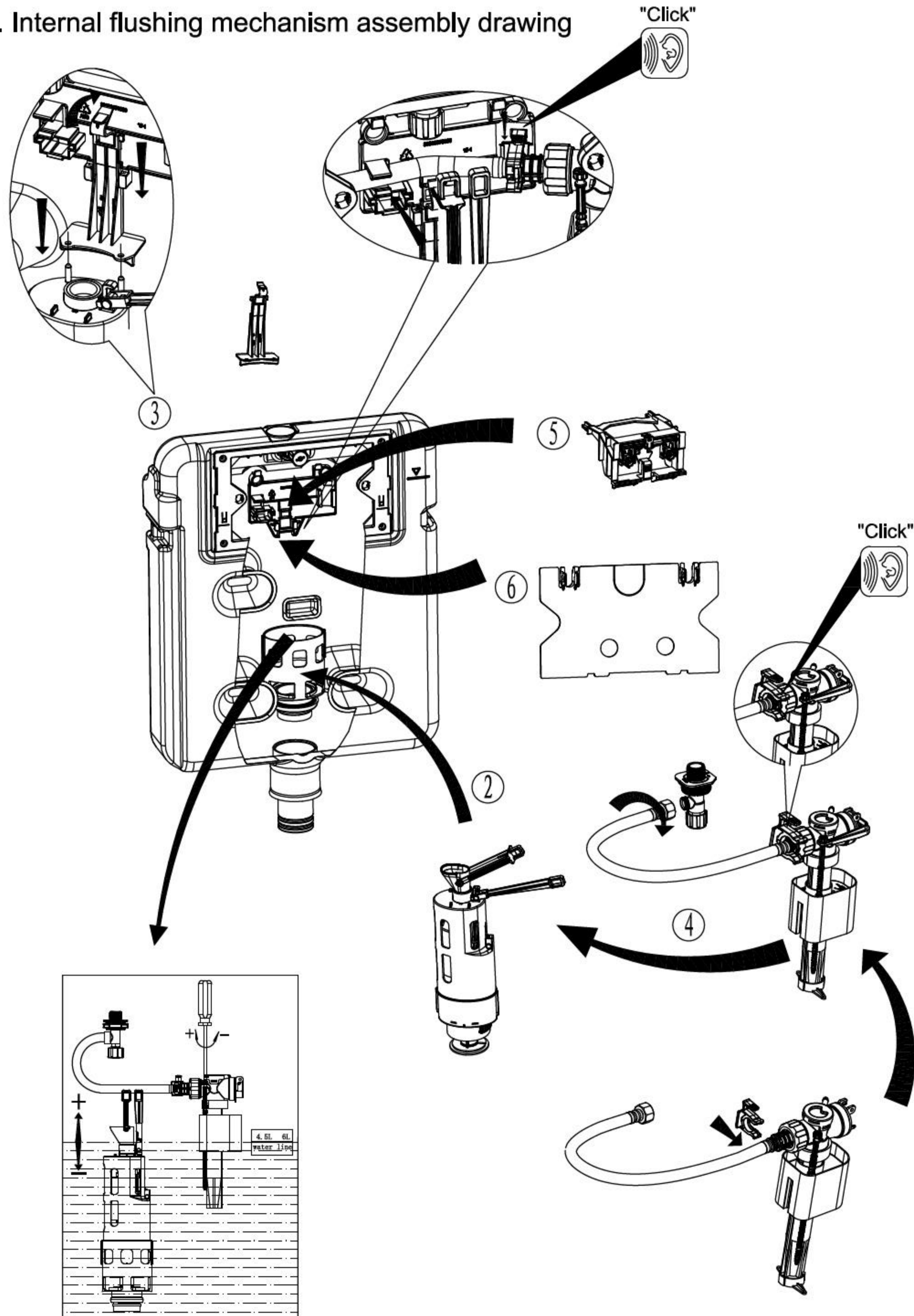
— Frame-structure —  
— Concealed Cistern —  
— Installation Manual —



**List of main installation accessories**

NO.	Description	Qty	Function
1	Expansion screw	4	Mounting of frame and wall bracket
2	Wall bracket	2	Fixation of frame
3	Angle valve	1	Fill valve inlet and shut-off
4	Cistern cover	1	Airproof tank and mounting of locking bracket
5	Socket head screw	2	Mounting of frame and locking into wall bracket
6	Plastic holder	1	To reserve space for installation of actuator at wall building
7	Plastic holder cover	1	To prevent dust and impurities into tank at wall building
8	Connecting screw	2	To mount ceramic bowl
9	Protective cover	2	To protect connecting screw at wall building
10	Ceramic bowl fixing accessories	2	To mount ceramic bowl
11	Straight tube	1	To joint cistern into ceramic bowl
12	Connecting pipe	1	(cutting in accordance with wall thickness)
13	Piping stopper	2	To reserve space for straight tube and connecting pipe
14	Draining syphon	1	To discharge liquid and solid waste from ceramic bowl.
15	Draining syphon holder	1	To mount draining syphon
16	Mounting bracket	1	

### 11. Internal flushing mechanism assembly drawing



### Important instruction:

1. Please adhere to the following installation instructions. We shall not be responsible for failures and loss that are contributed to improper installation.
2. Please confirm the fixation location of frame prior to installation and obtain the finished floor surface. Draw FFL on installation wall and follow it as baseline from ZERO (0) level.
3. The instructions have been composed based in the latest product specifications. We reserve the right to make modifications to the packaging and specifications without providing prior notification.

### NOTES:

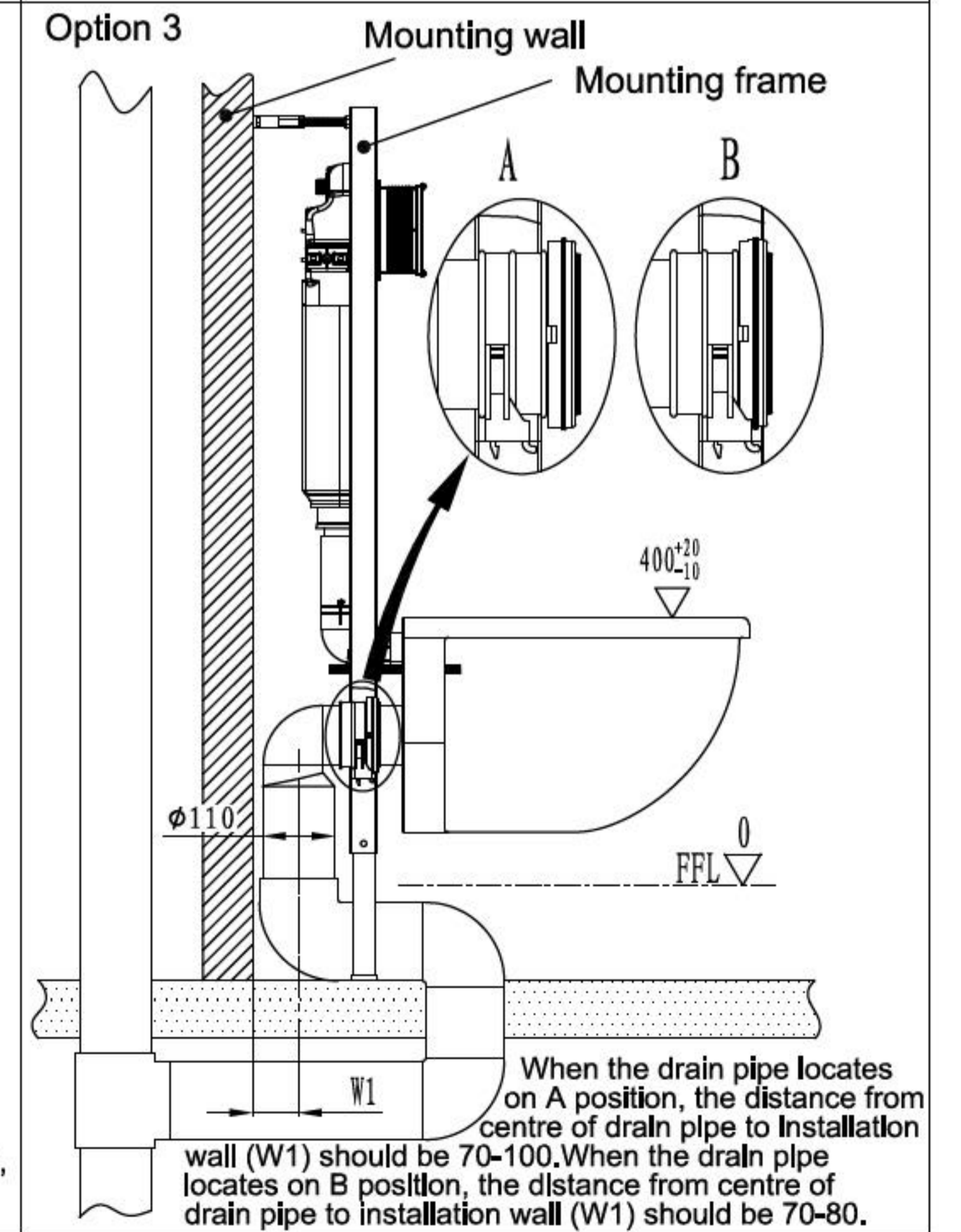
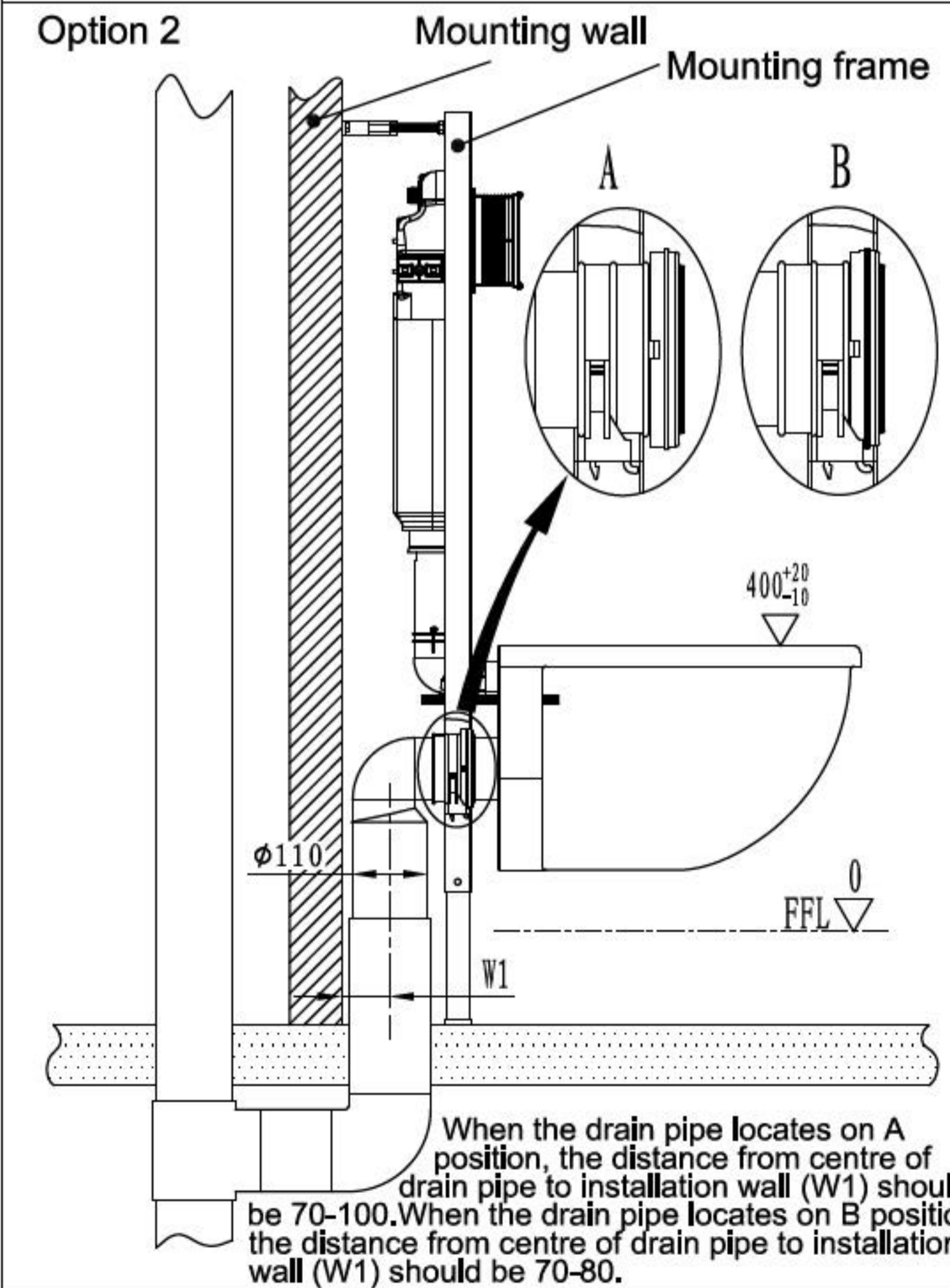
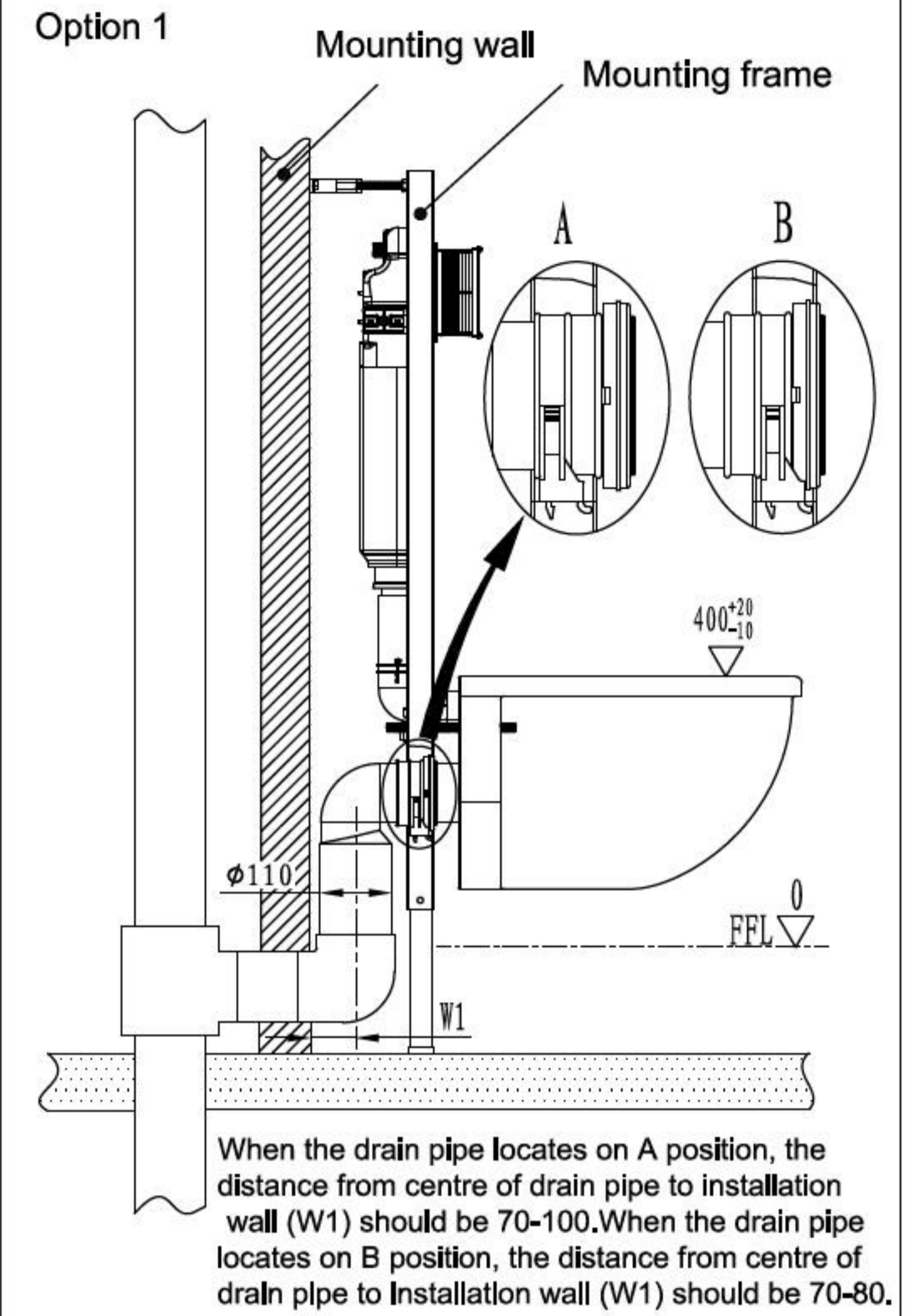
1. Mount before bricks building.
2. All size unit in MM.
3. Follow the material product, should there is an unconformity with drawing.

### Finished Floor.

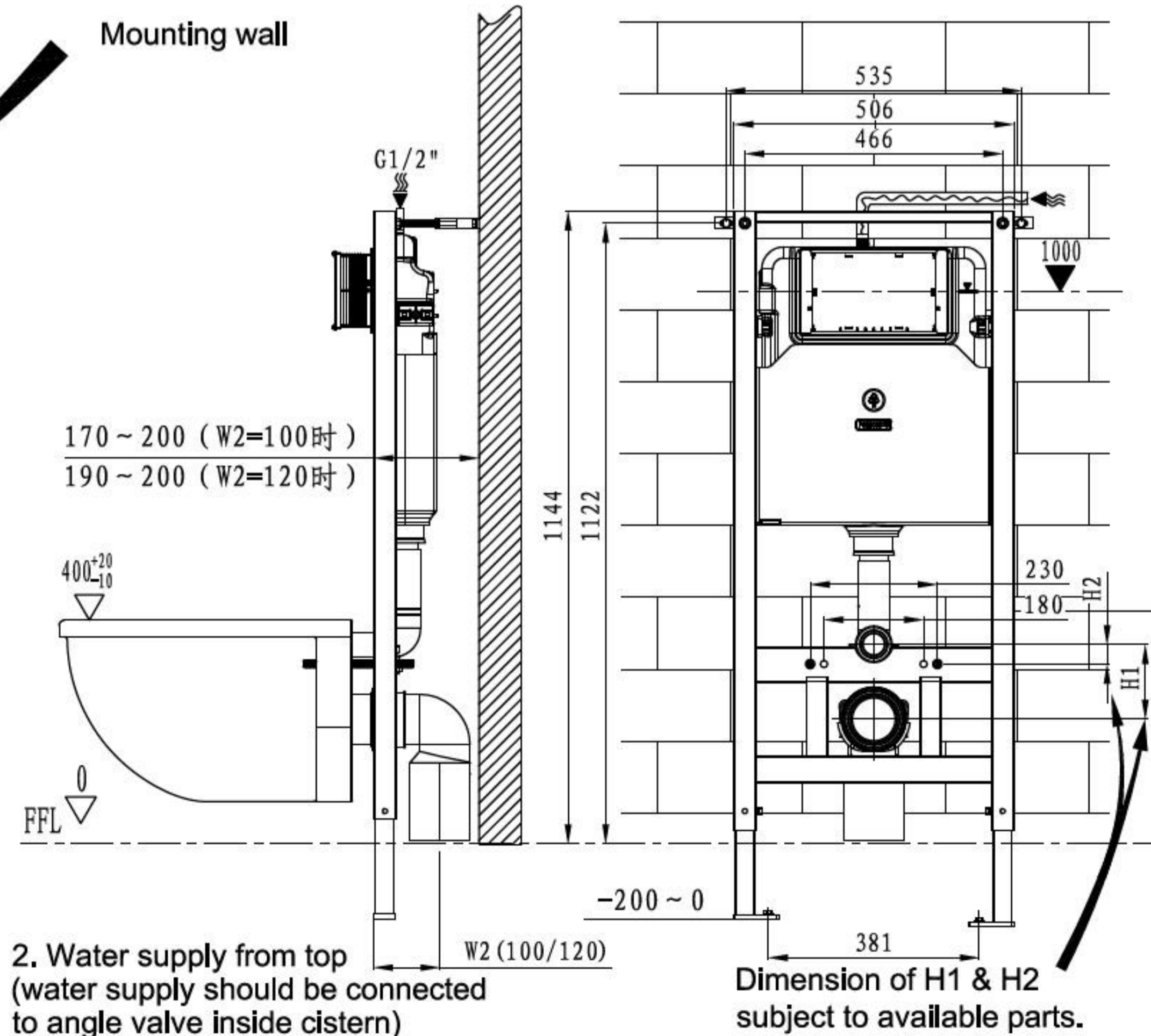
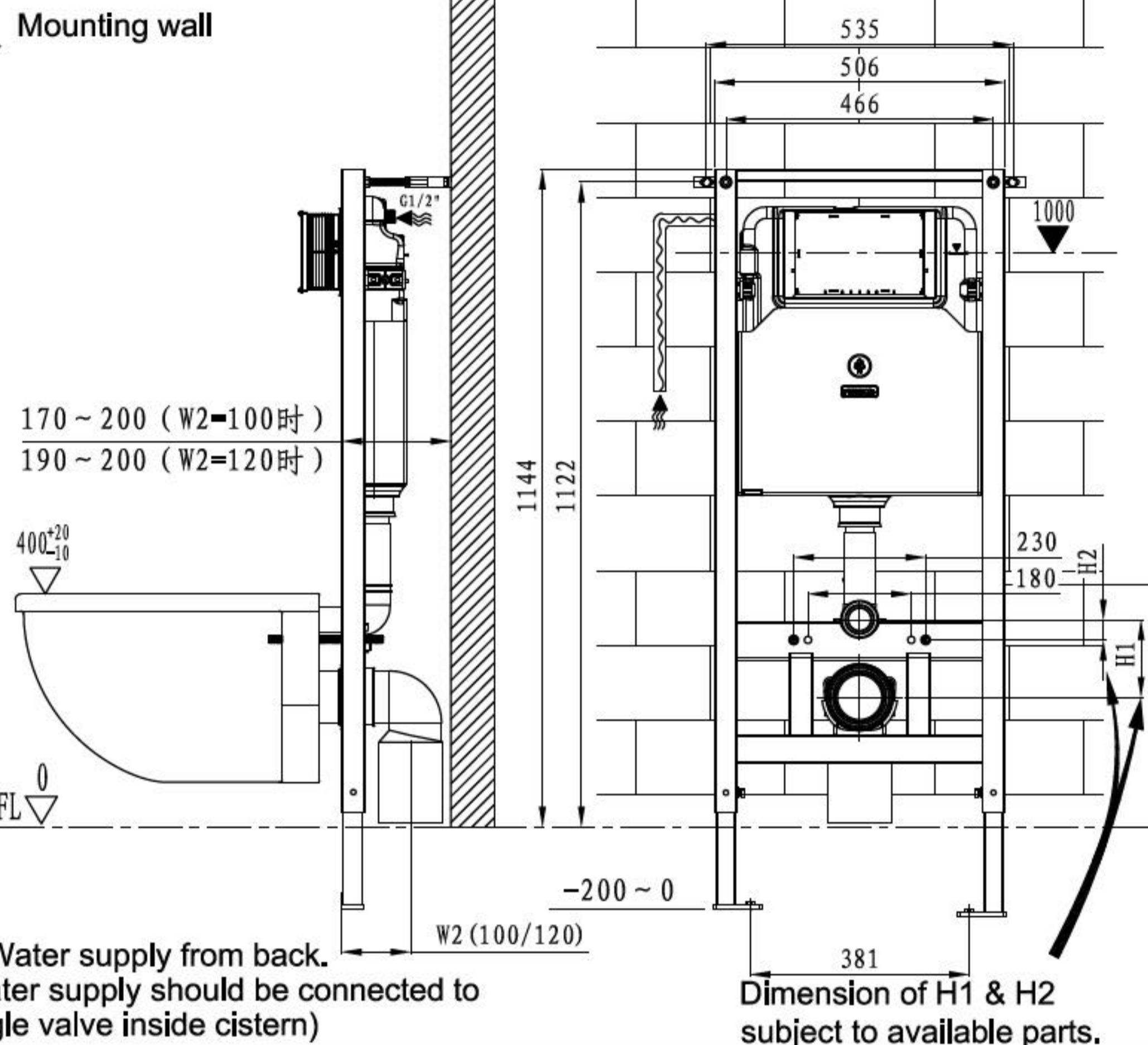
⚠ FFL  $\nabla$  = FINISHED FLOOR

### 1. Drainage System Layout

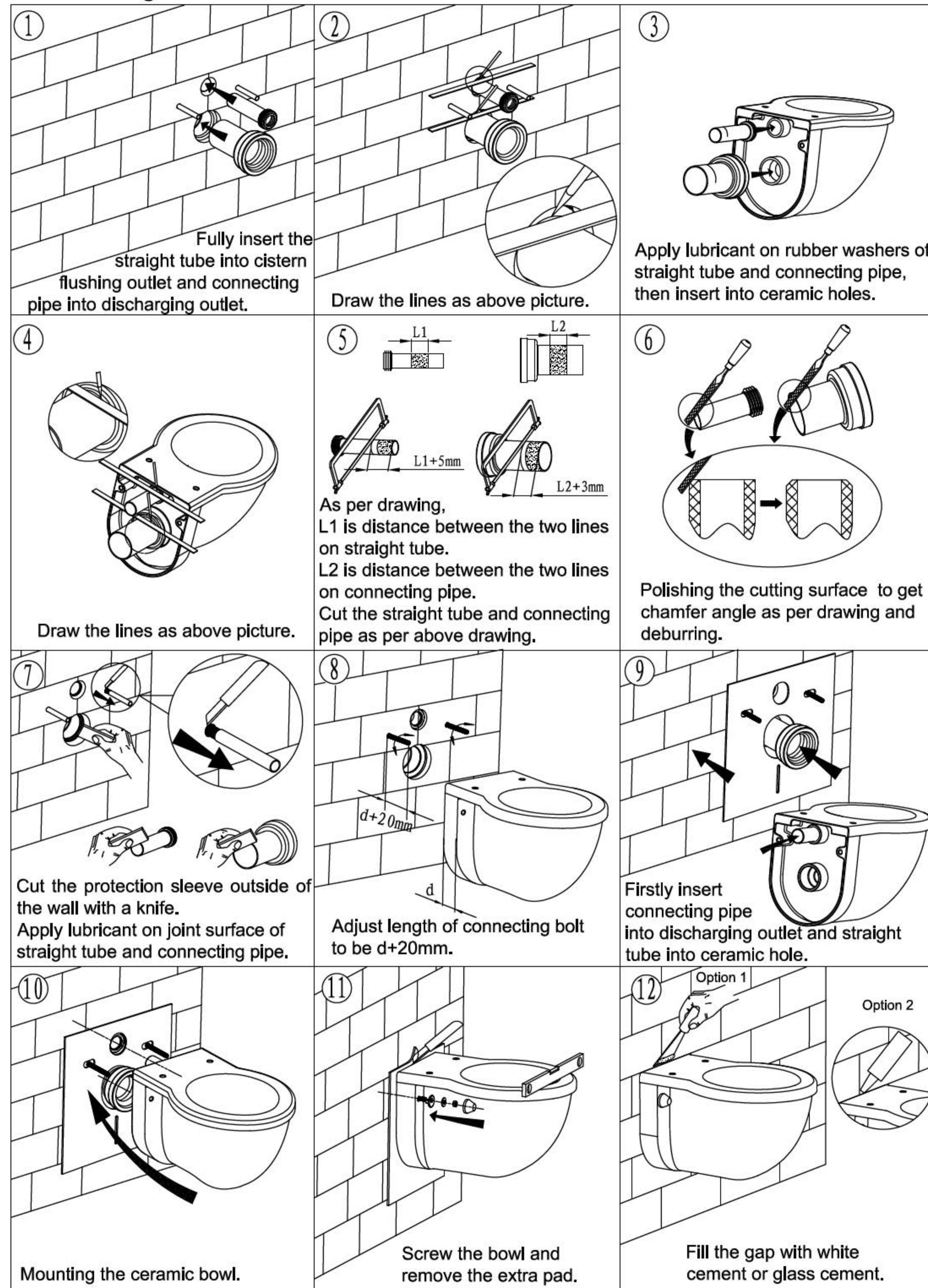
Drawing 1 to 3 are three different installation systems for drain pipe. Customer should confirm whichever installation system according to drainage outlet position. If drainage outlet does not fall within the three systems, customer should follow one of three drainage system layout to correspond installation of our concealed cistern.



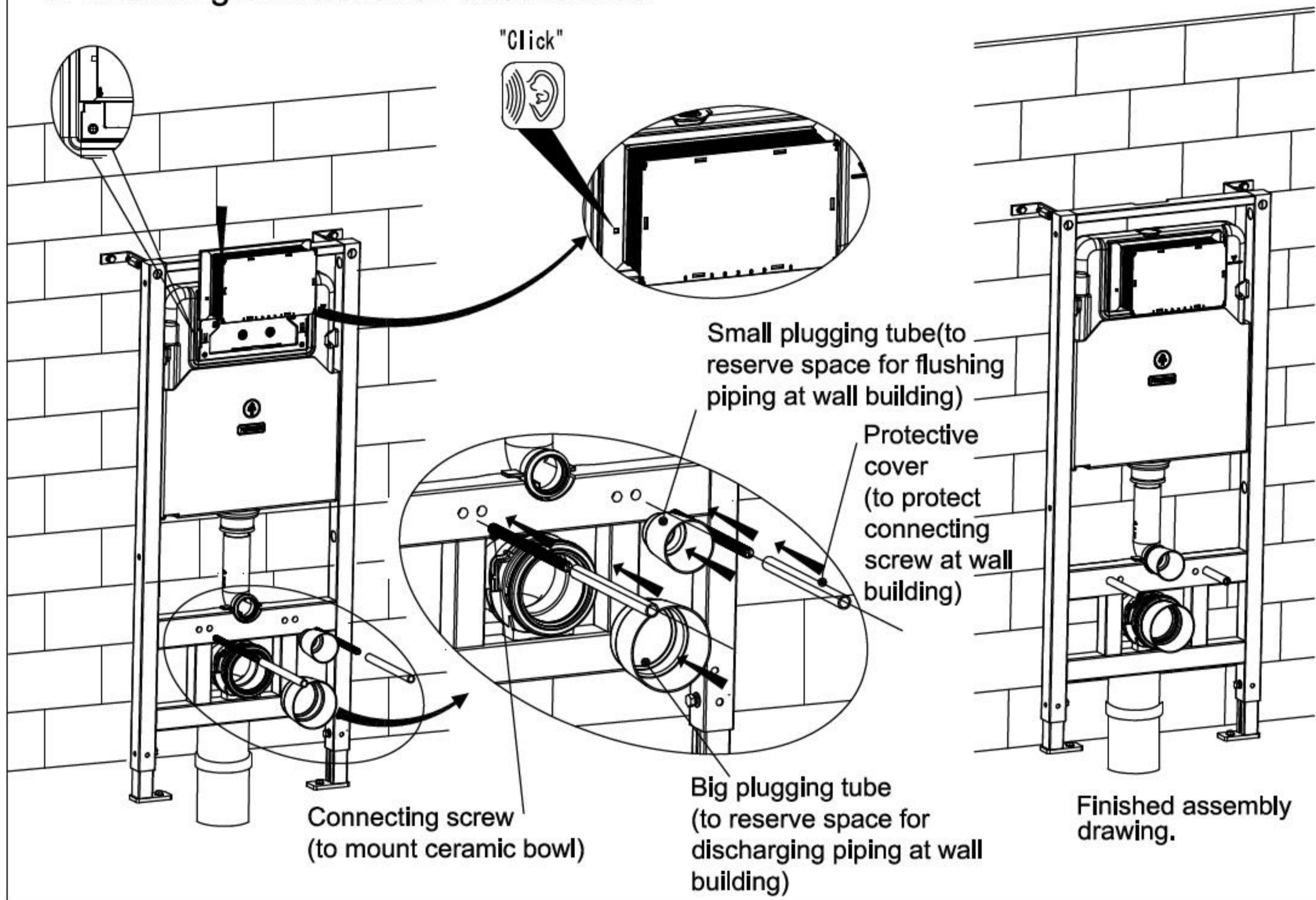
## 2. General dimension and water supply drawing



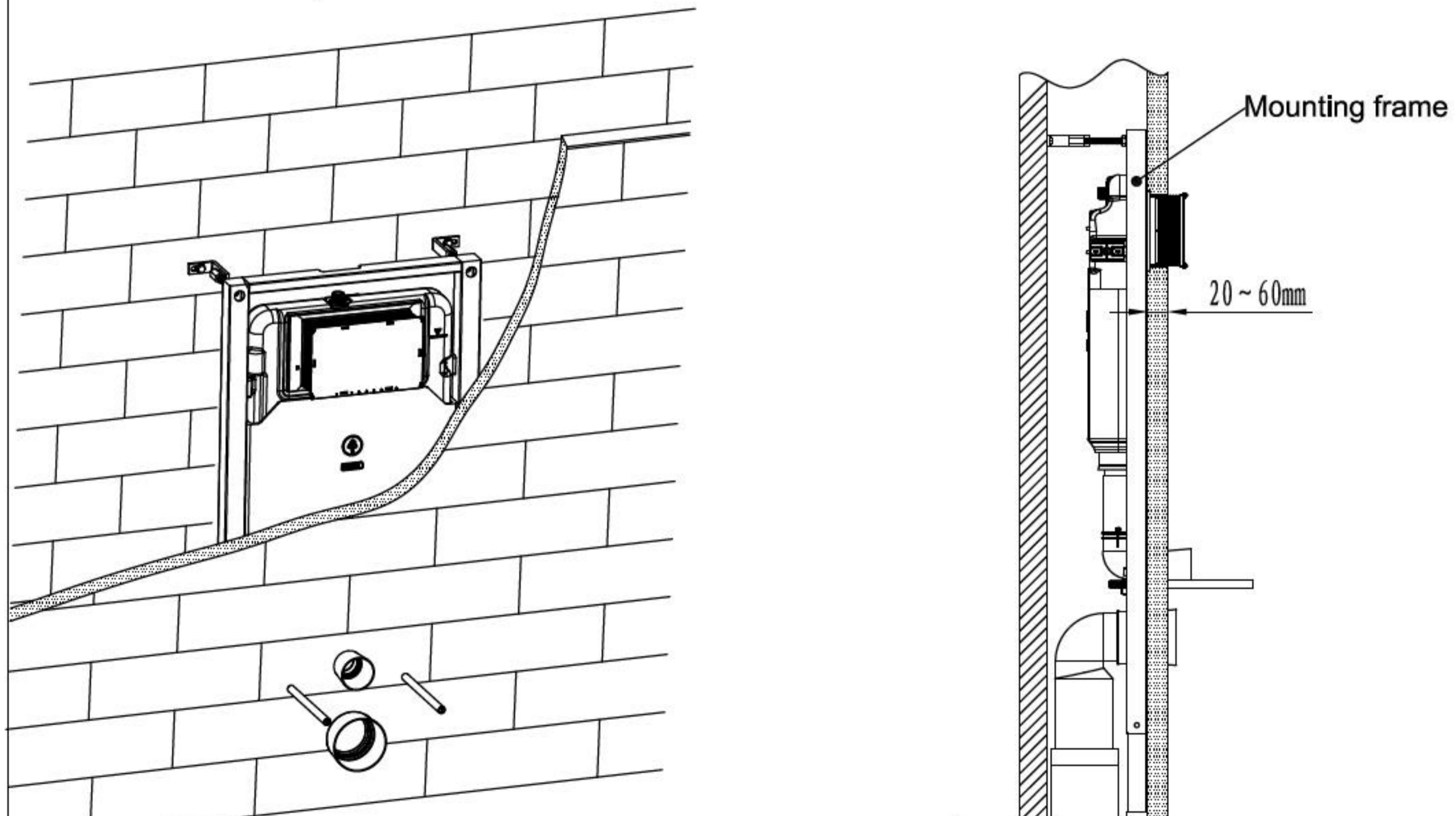
## 10. Mounting of ceramic bowl



### 8. Mounting of installation accessories

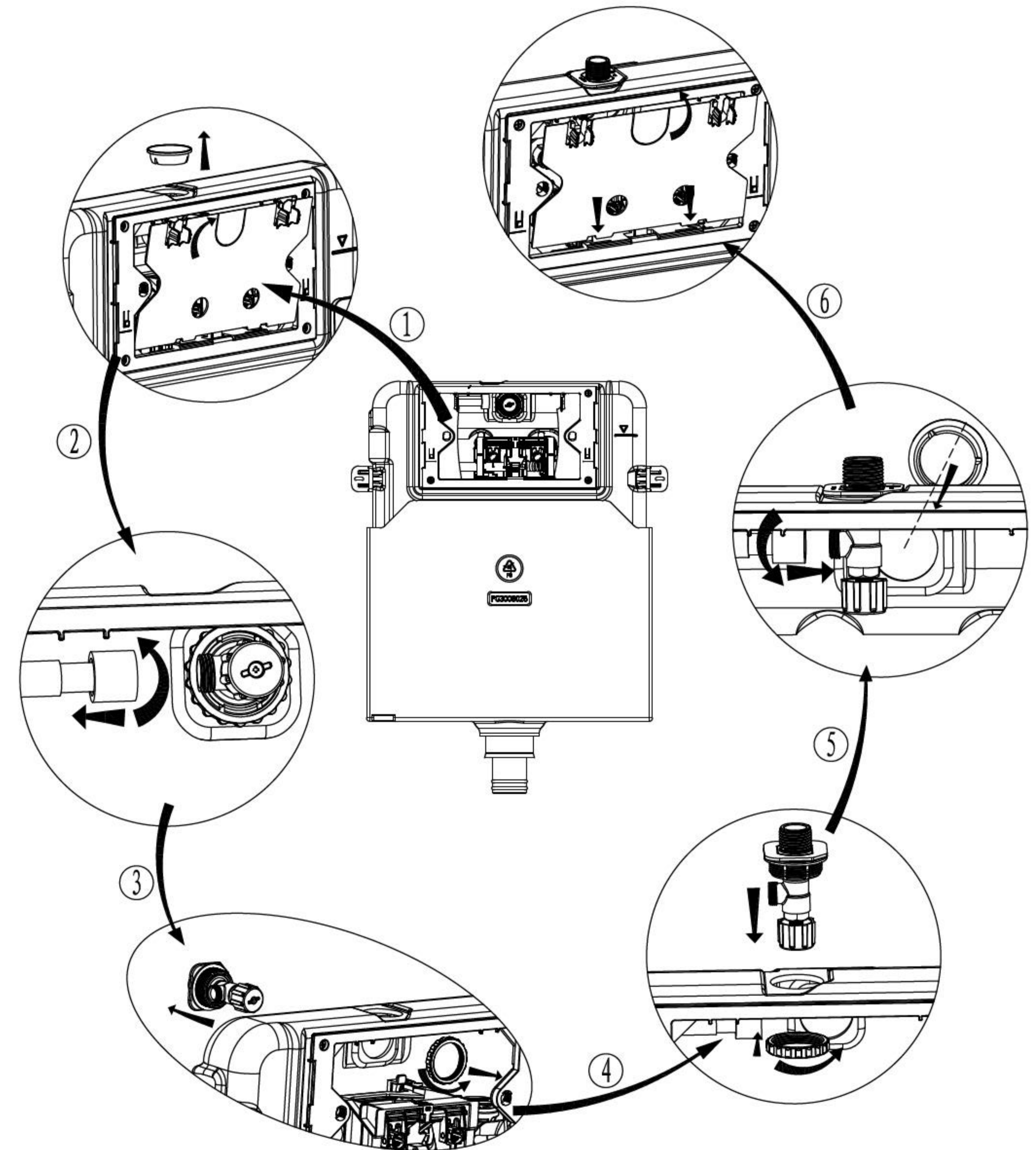


### 9. Wall thickness range 20~60mm (from frame outside surface to finished wall)

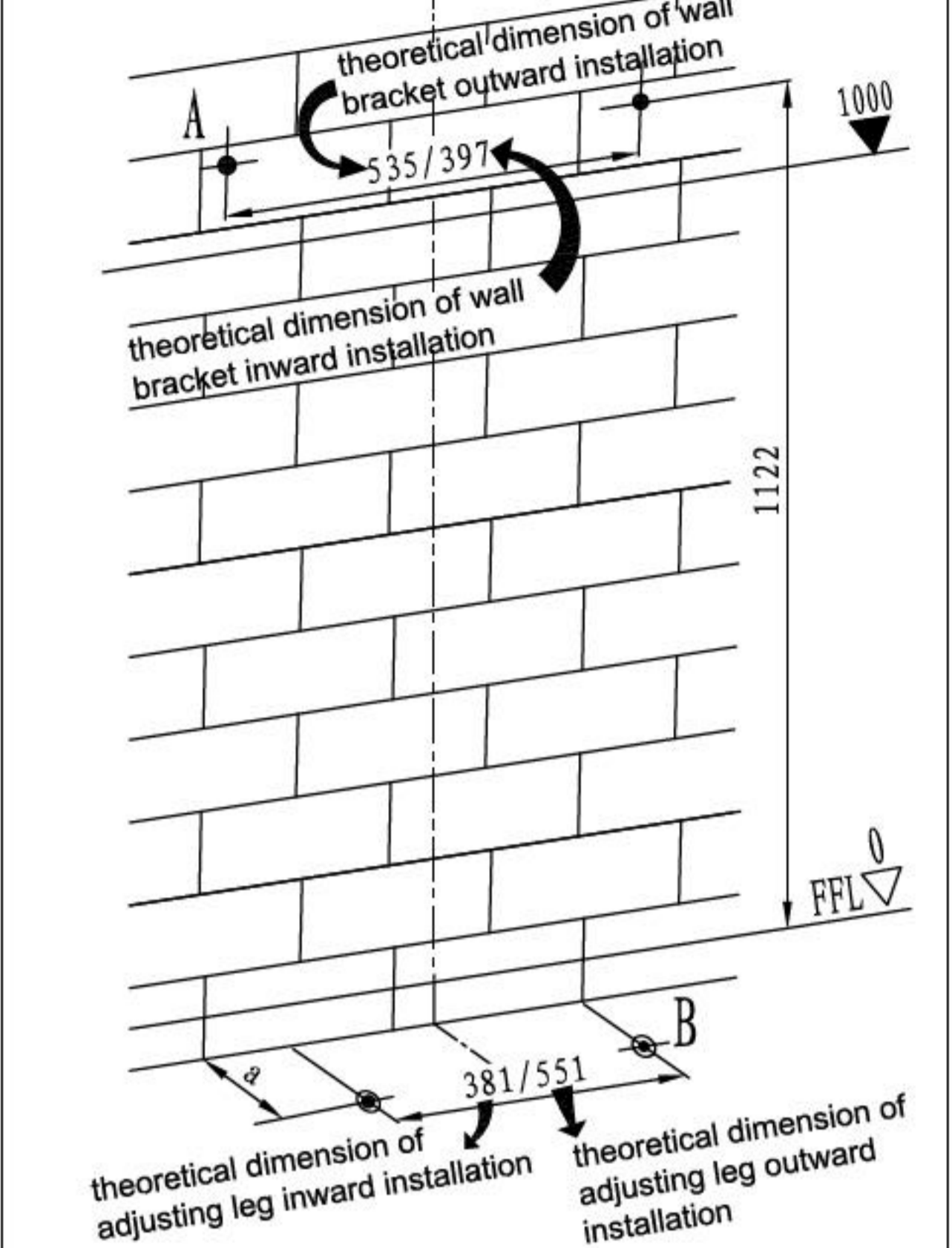


### 3. Switch between back water supply and top water supply

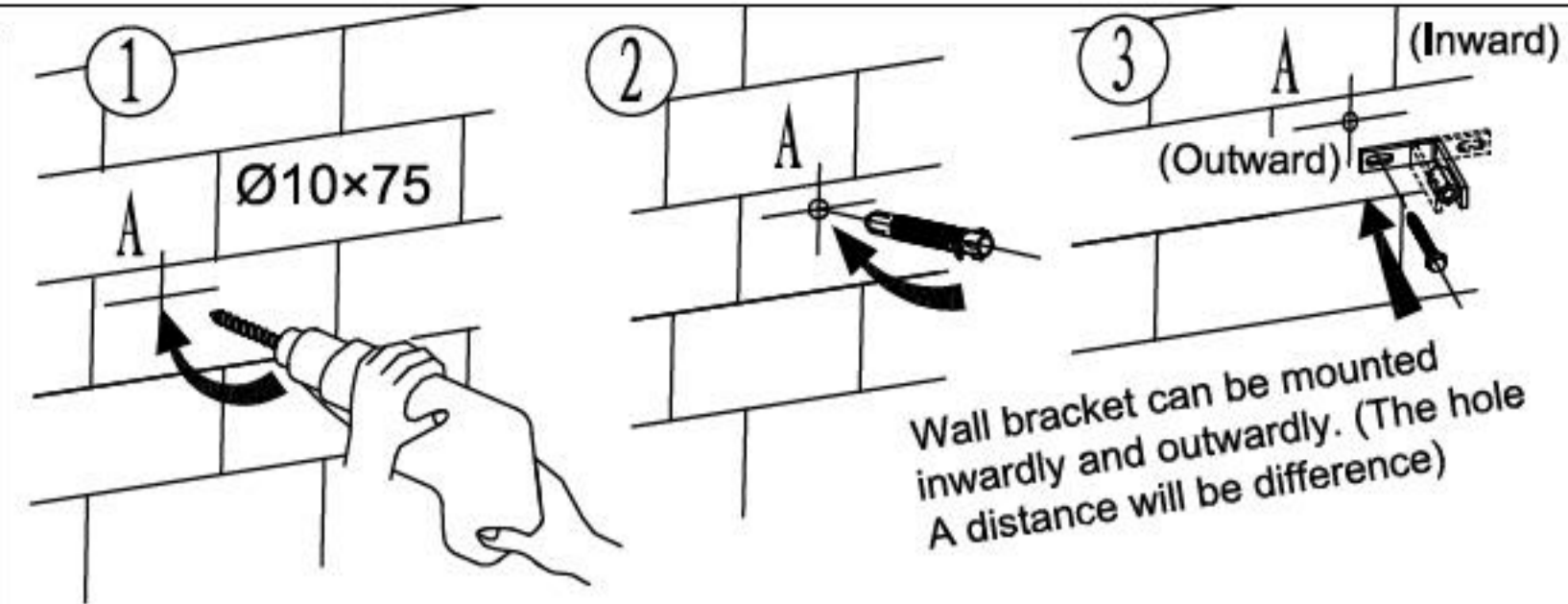
☆ Note: In case the back water supply is not feasible in actual installation, switch to top water supply referencing below chart.



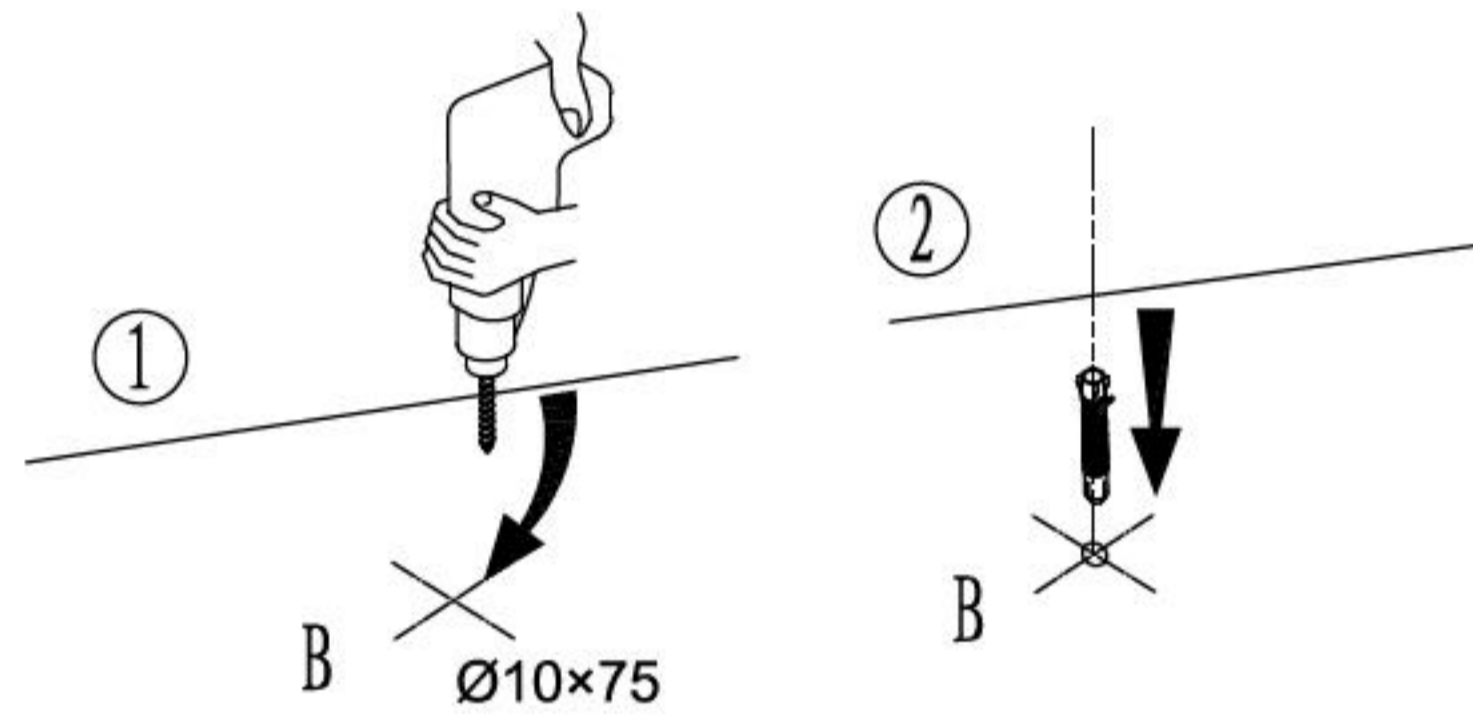
#### 4. Drill holes on mounting wall and floor and install expansion screws



A dimension according to practical location of flushing pipe  
 ☆Note: Above drilling are theoretical dimensions of frame mounting. Please follow by the practical location of frame.

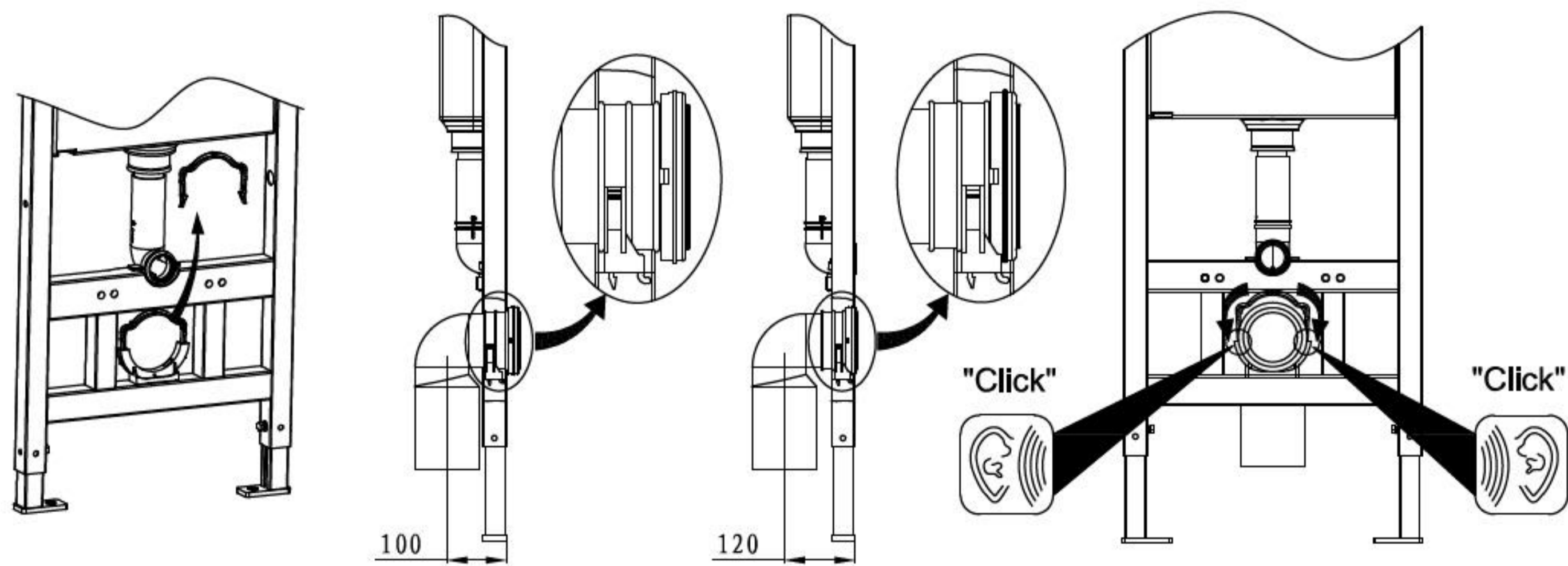


Drill a hole of  $\text{Ø}10 \times 75$  → insert expansion screw → fix the wall bracket into wall



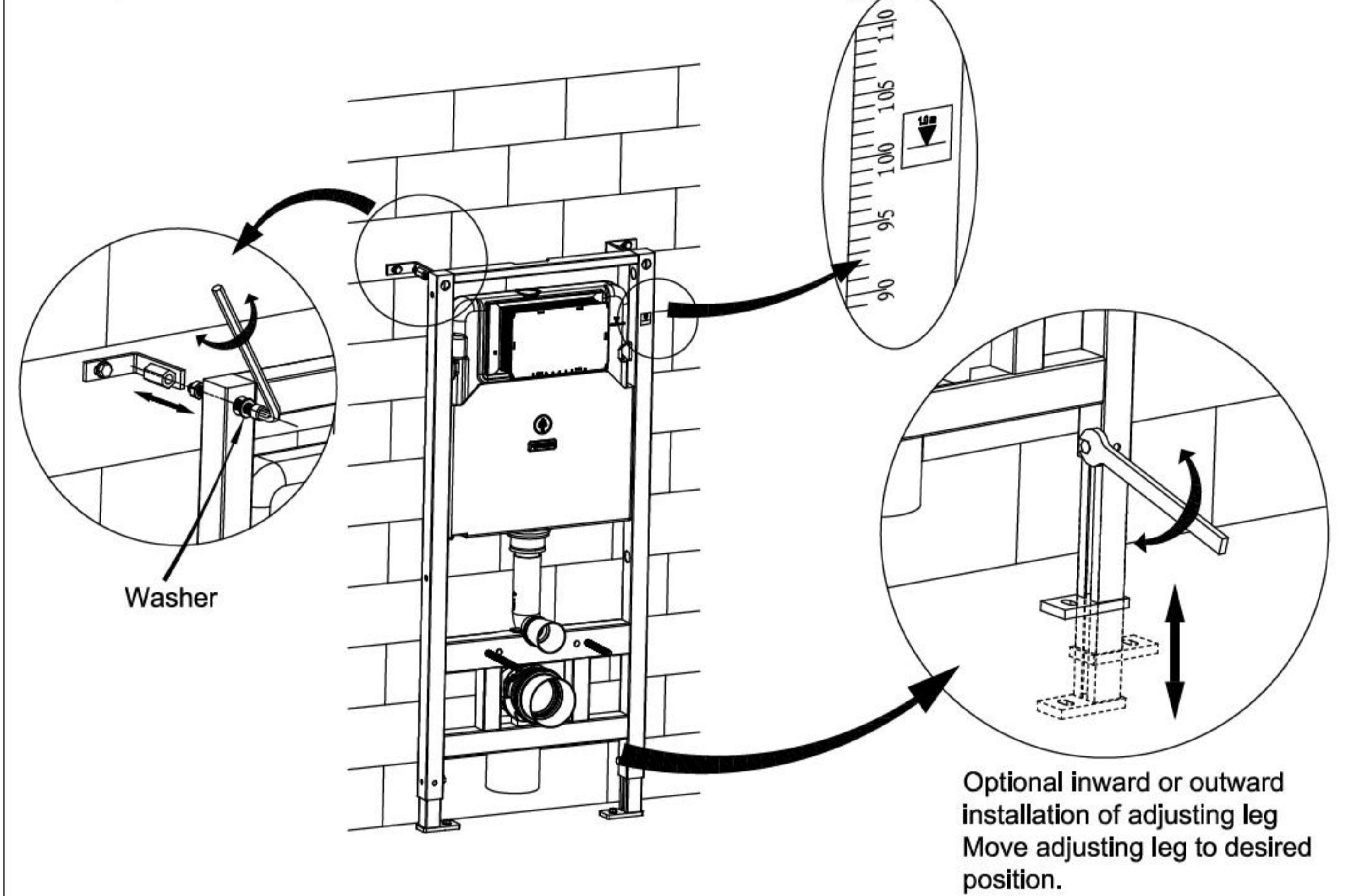
Drill a hole of  $\text{Ø}10 \times 75$  → insert expansion screw

#### 5. Installation of draining syphon



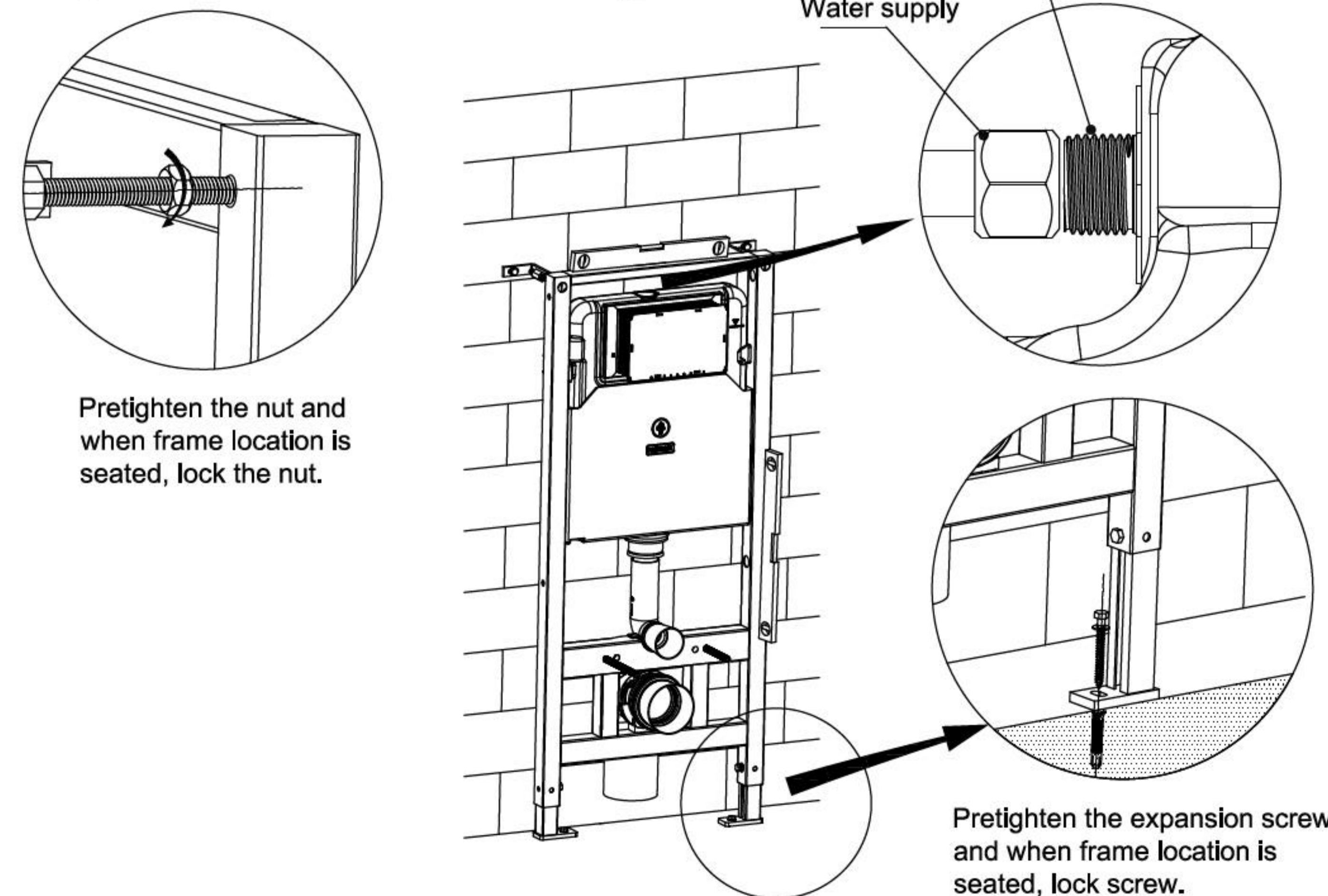
Remove the mounting bracket → Mount draining syphon (optional installation distance of 100 or 120) → Fasten the mounting bracket

#### 6. Adjustment of socket head screw and floor fixing accessories



Optional inward or outward installation of adjusting leg  
 Move adjusting leg to desired position.

#### 7. Adjustment and fixation of mounting frame



Pretighten the nut and when frame location is seated, lock the nut.

Pretighten the expansion screw and when frame location is seated, lock screw.