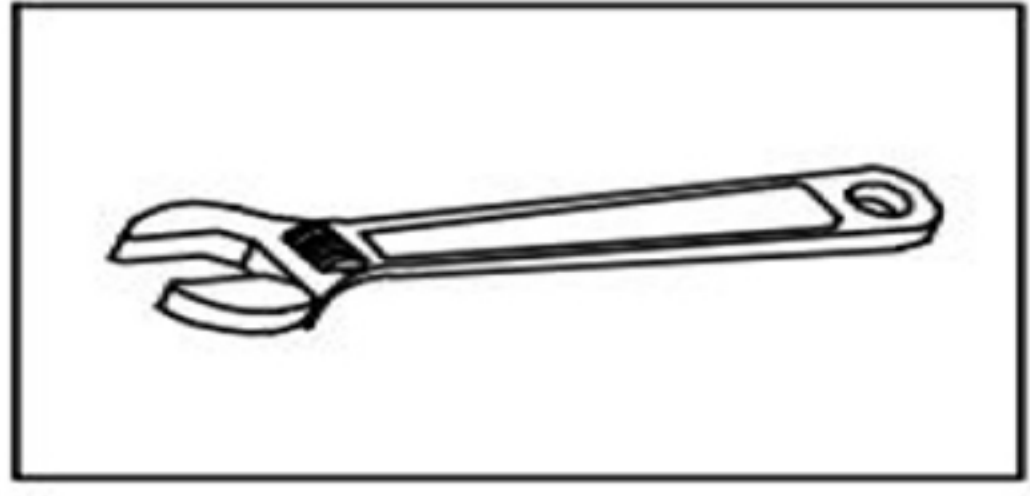
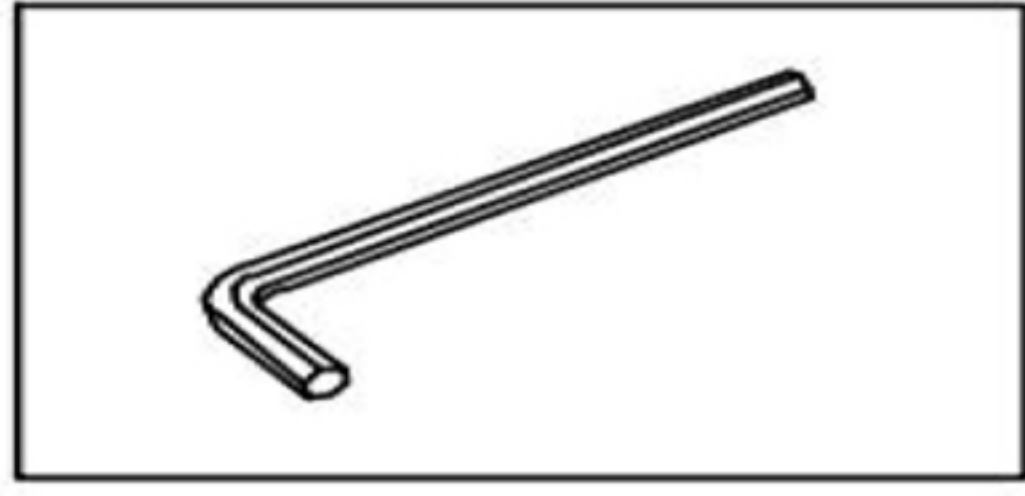


Ceiling Mount Shower System Installation

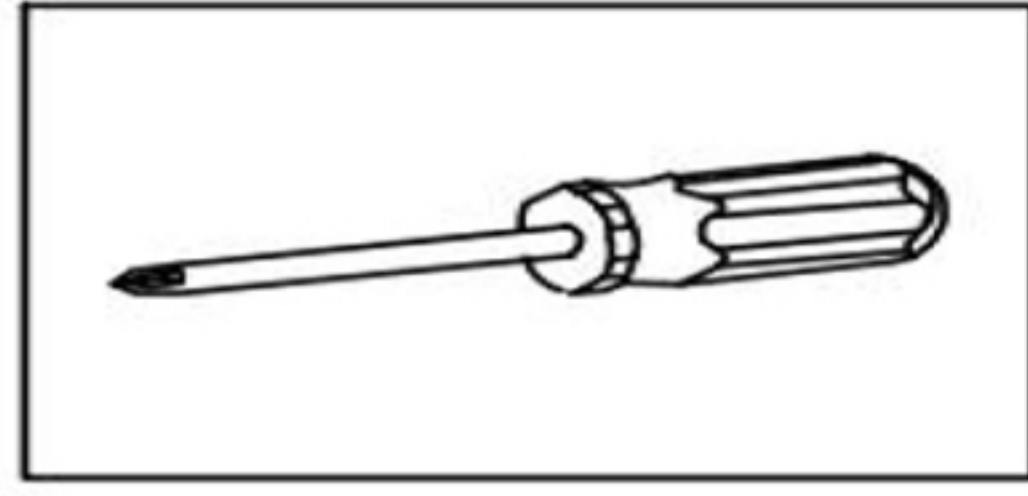
INSTALLATION MANUAL Tools You Will Need:



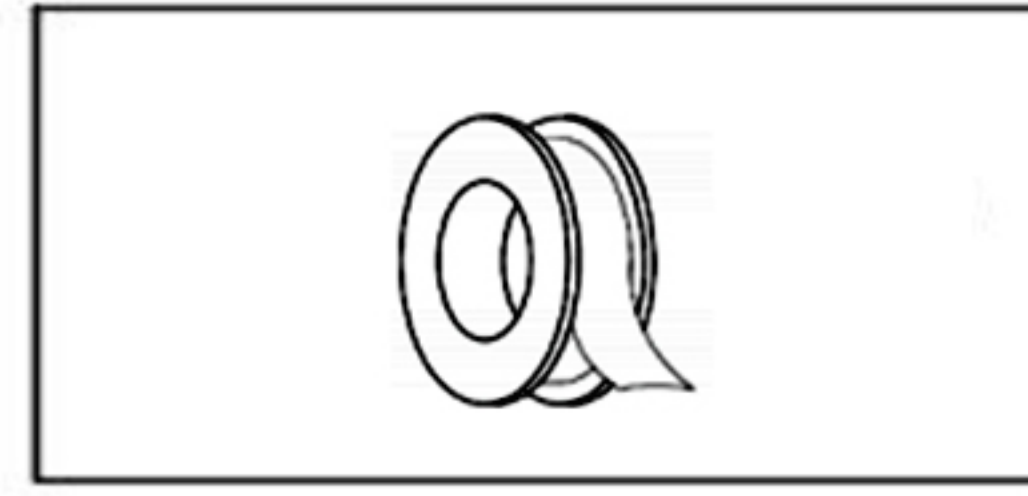
Adjustable Wrench



Allen Key



Philips Screwdriver



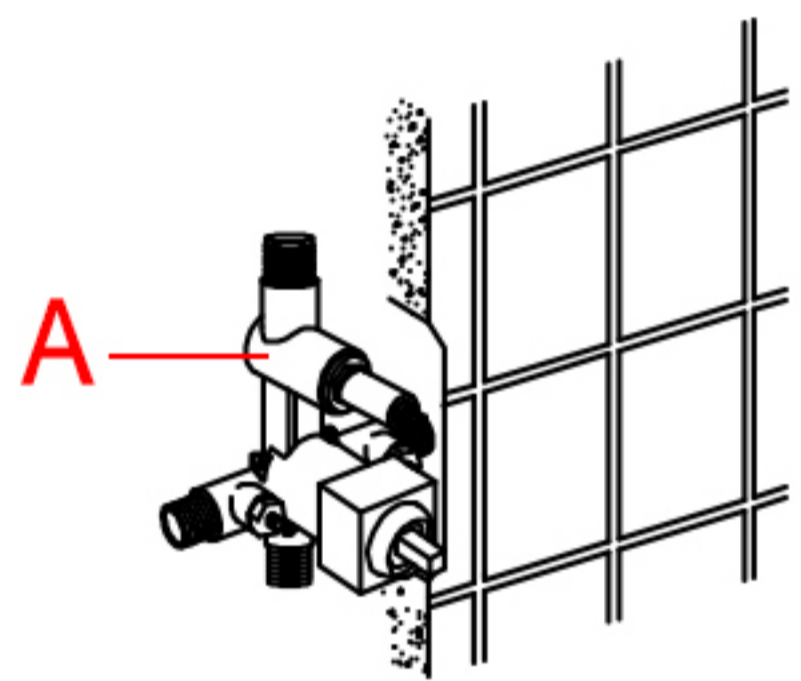
Teflon Tape

Before the Installation

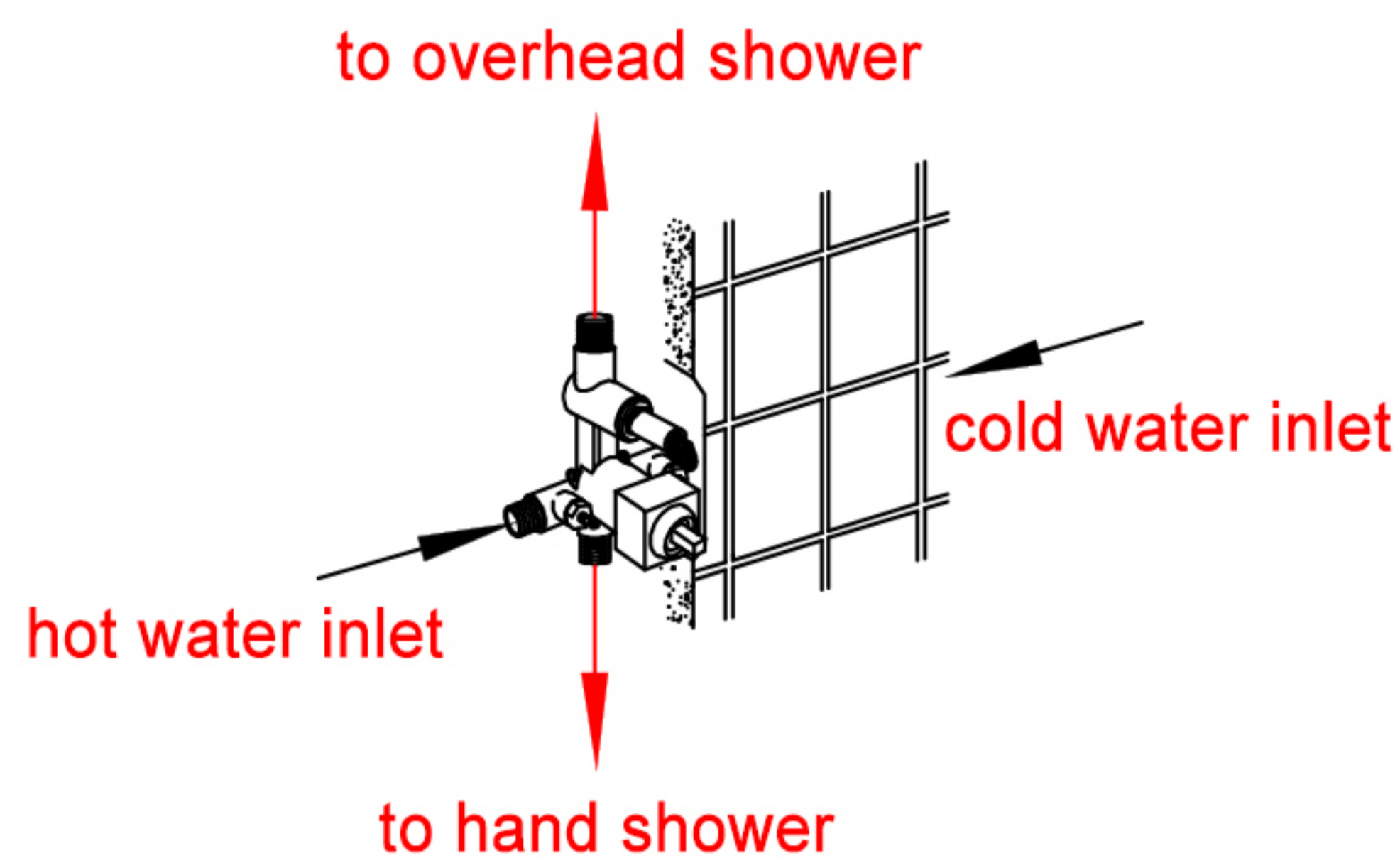
1. Check the package and confirm all parts are included. If any part is missing or damaged, please contact us.
2. Do not disassemble the main body, as it has been installed & commissioned correctly & precisely before leaving the factory.
3. Shut off the main water supply prior to beginning installation.
4. Do flush the water supply lines to remove any dirt and debris before installation (**IMPORTANT**).
5. Make sure to connect the hot/cold inlet pipe correctly. If standing in front, connect hot water pipe to the left and cold water pipe to the right.
6. After the installation, check for leaks and make sure every joint is safely sealed.

Cleaning and Maintenance

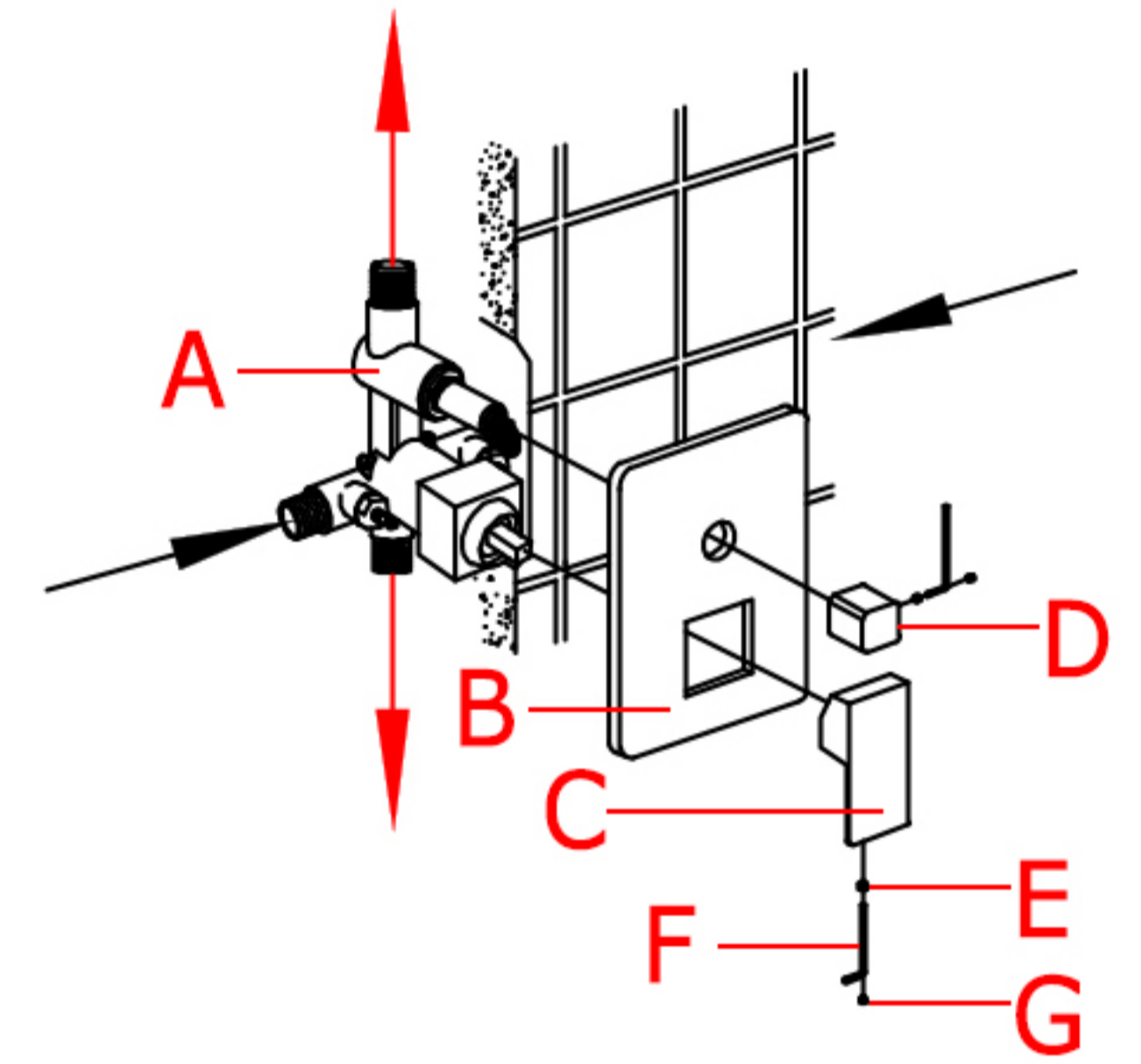
1. Rinse with clean water and dry with a soft cloth.
2. Do not use any detergent, acid, polisher, abrasives, or harsh cleaners.
3. Do not use cloth with a coarse surface.



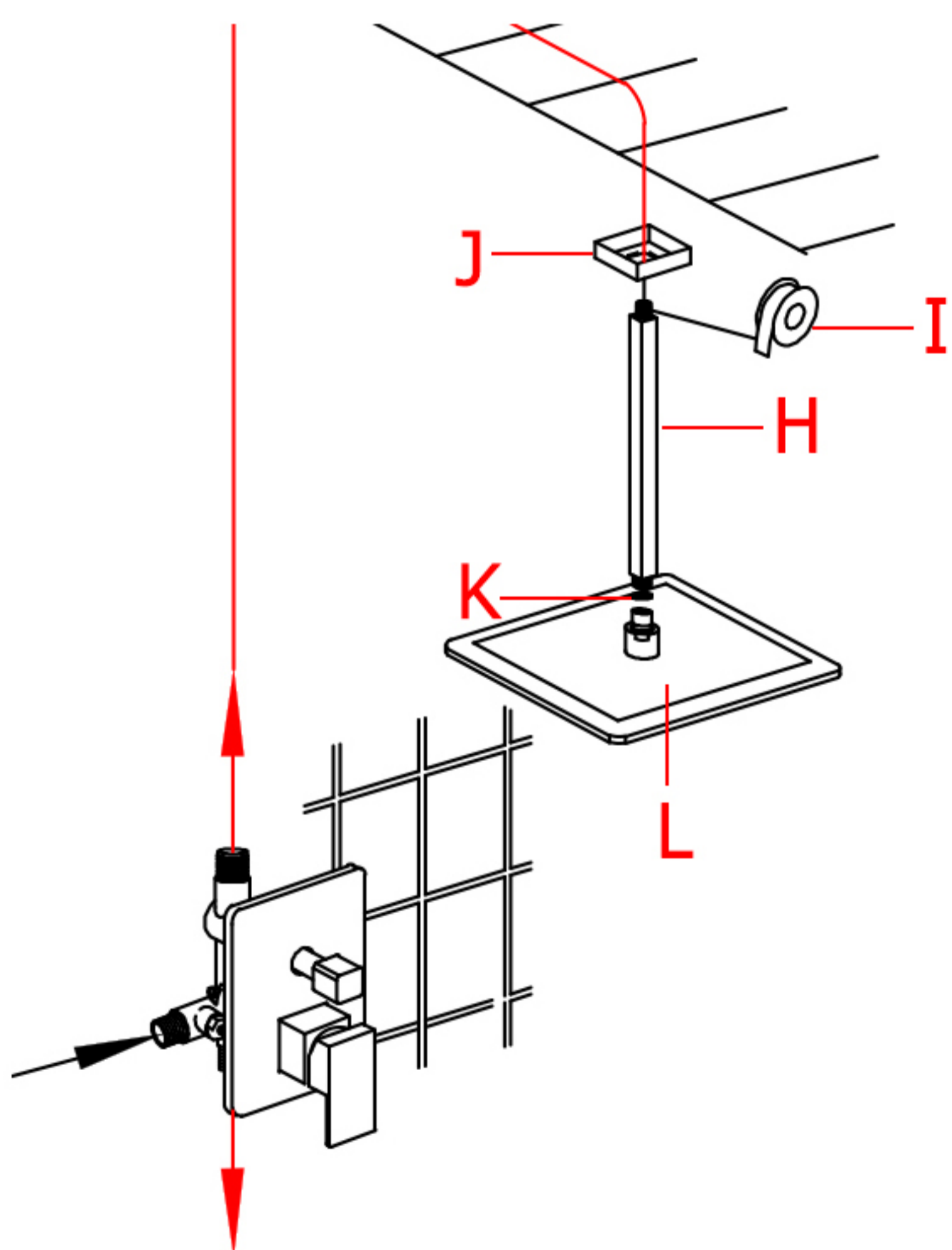
1. Fix the shower valve (A) into the wall with screws. Use a level to ensure that the valve is straight and level.



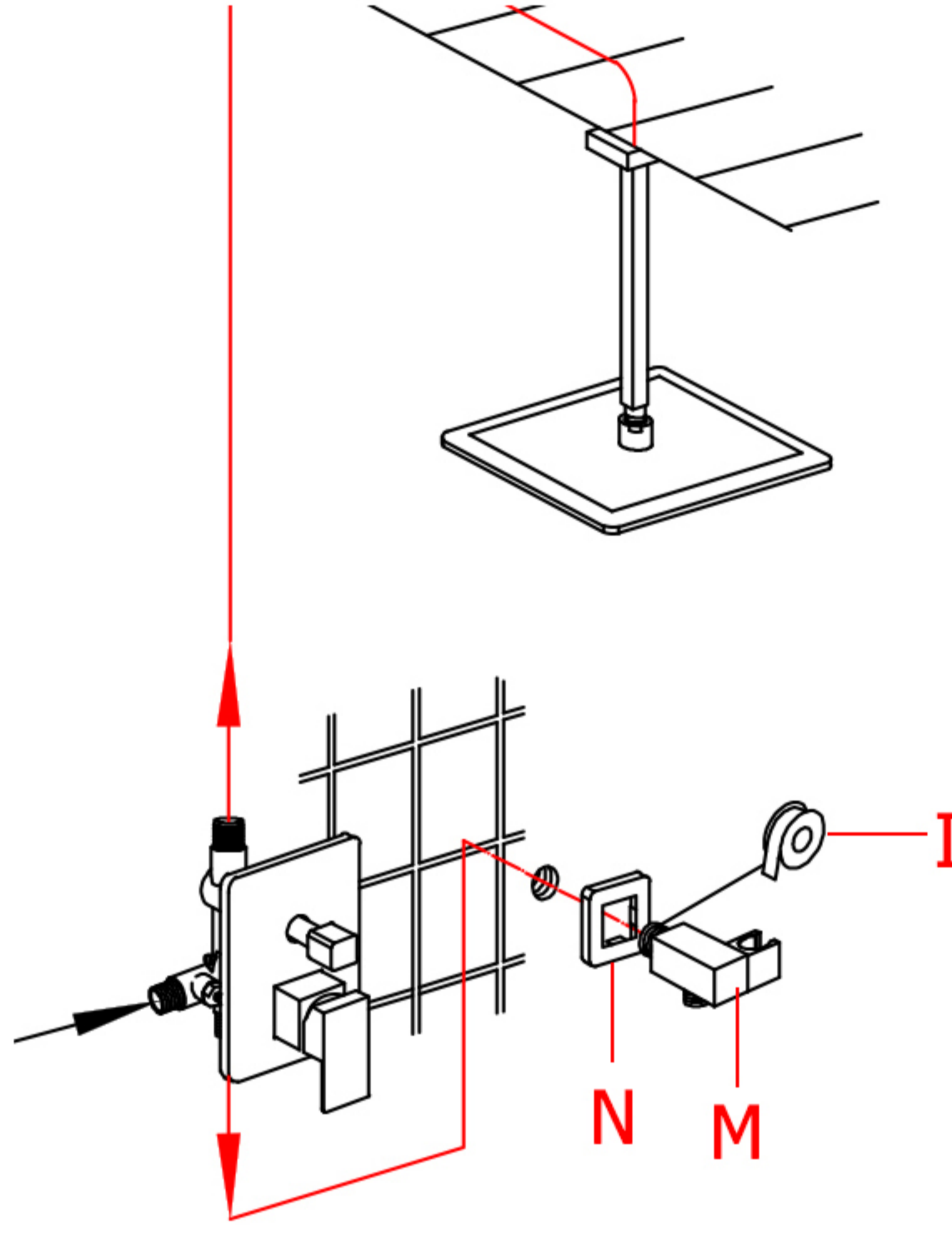
2. Wrap Teflon tape around the pipe threads. Connect hot and cold water supply lines and in-wall pipes (not included) as desired to the valve. Turn on the water supply and open the cartridge to check for leaks. Then, put on the protective cover.



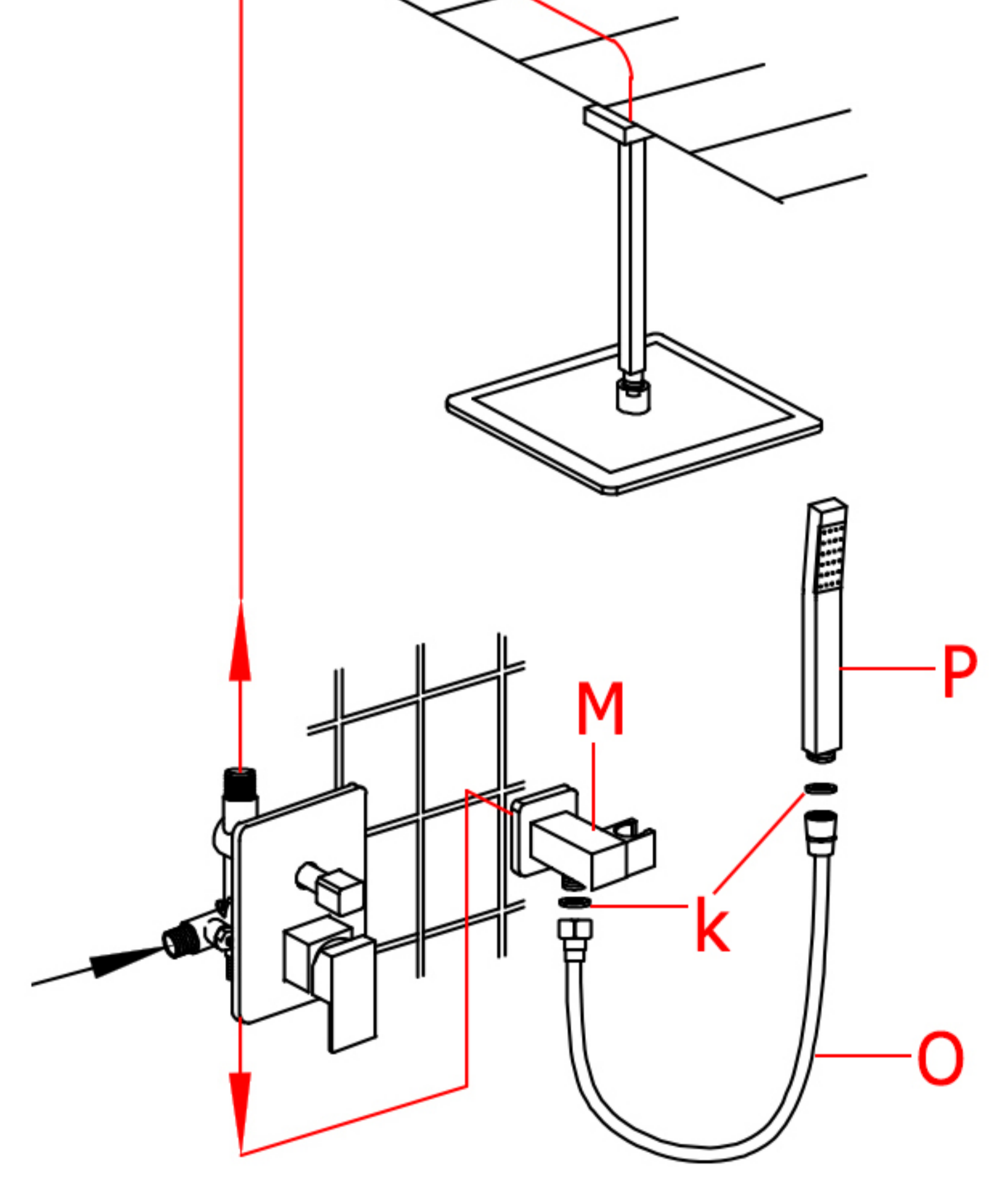
3. Remove the protective cover when the finished wall is completed and install the escutcheon (B) onto the valve (A) and press it against the finished wall. Then, install the handle (C) and diverter knob (D), tighten set screws (E) with Allen key (F) and put on the indication buttons (G).



4. Turn water on for 1 minute to flush any debris. Wrap shower arm (H) threads with Teflon tape (I). Install the shower arm (H) into shower outlet through cover plate (J). Then, add a rubber washer (K) and attach shower head (L) to shower arm (H).



5. Apply Teflon tape (I) to the threaded end of wall supply holder (M), then fix the wall plate (N) onto the wall supply holder (M) and screw the wall supply holder (M) into the hand shower outlet.



6. Add rubber washer (K) at both ends of the shower hose (O). Connect shower hose (O) to the wall supply holder (M) and hand shower (P). Then, place the hand shower (P) into the wall supply holder (M).