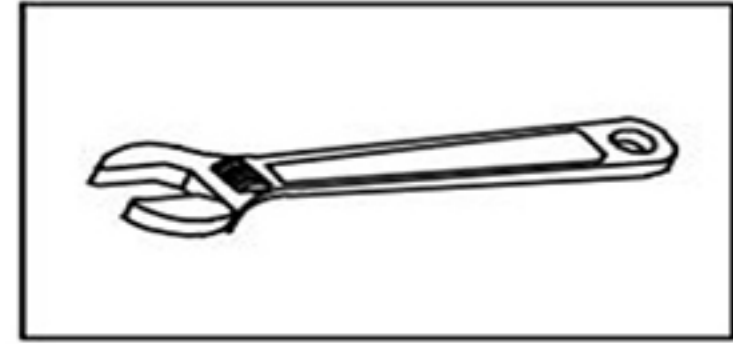
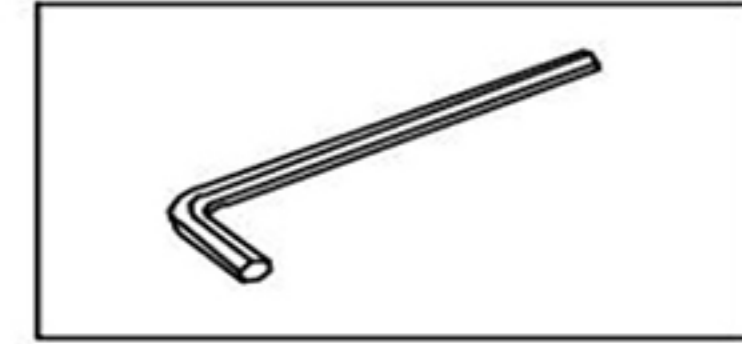


Bathroom Faucet Installation

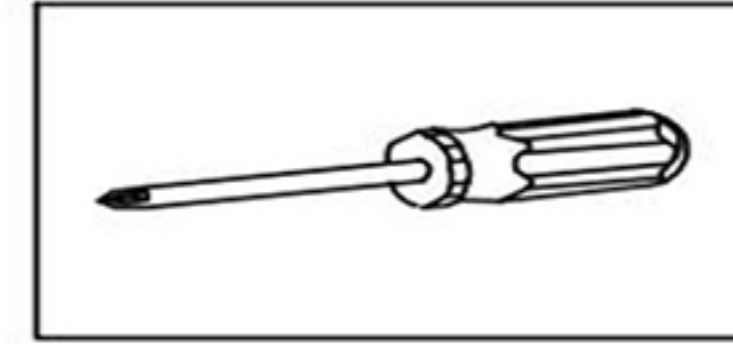
INSTALLATION MANUAL Tools You Will Need:



Adjustable wrench



Hexagon wrench



Phillips Screwdriver

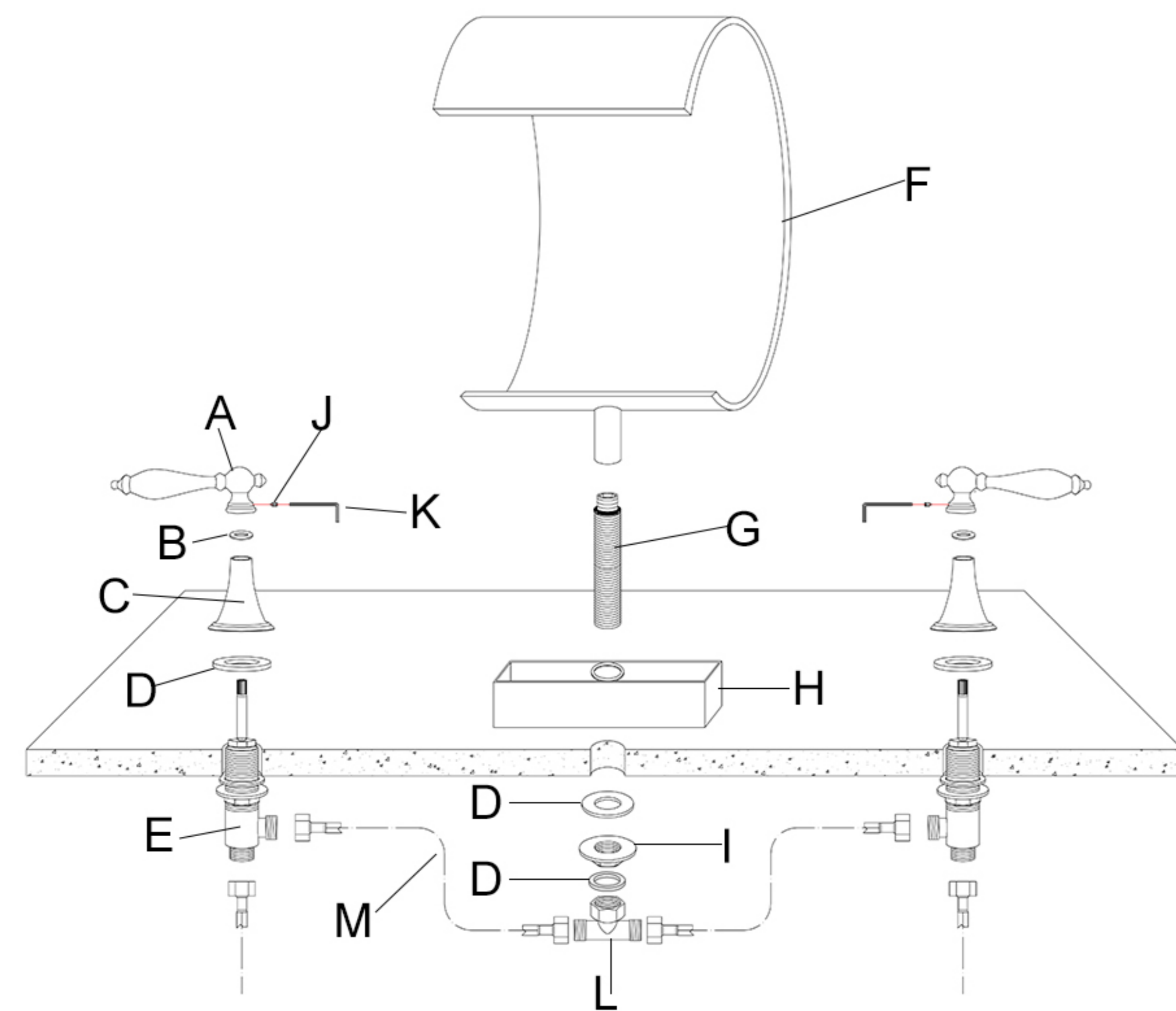
Before the Installation

1. Check the package and confirm all parts are included. If any part is missing or damaged, please contact us.
2. Do not disassemble the main body, as it has been installed & commissioned correctly & precisely before leaving the factory.
3. Shut off the main water supply prior to beginning installation.
4. Do flush the water supply lines to remove any dirt and debris before installation (**IMPORTANT**).
5. Make sure to connect the hot/cold inlet pipe correctly. If standing in front, connect hot water pipe to the left and cold water pipe to the right.
6. After the installation, check for leaks and make sure every joint is safely sealed.

Cleaning and Maintenance

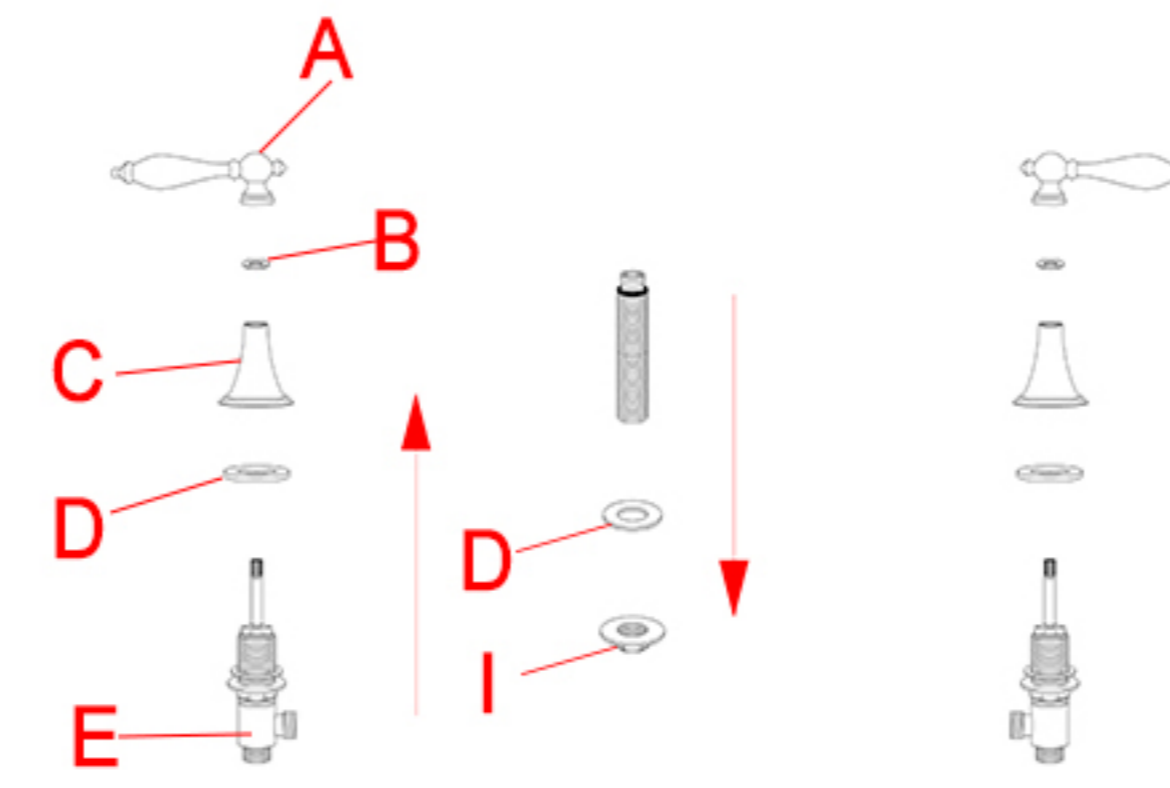
1. Rinse with clean water and dry with a soft cloth.
2. Do not use any detergent, acid, polisher, abrasives, or harsh cleaners.
3. Do not use cloth with a coarse surface.

Parts List

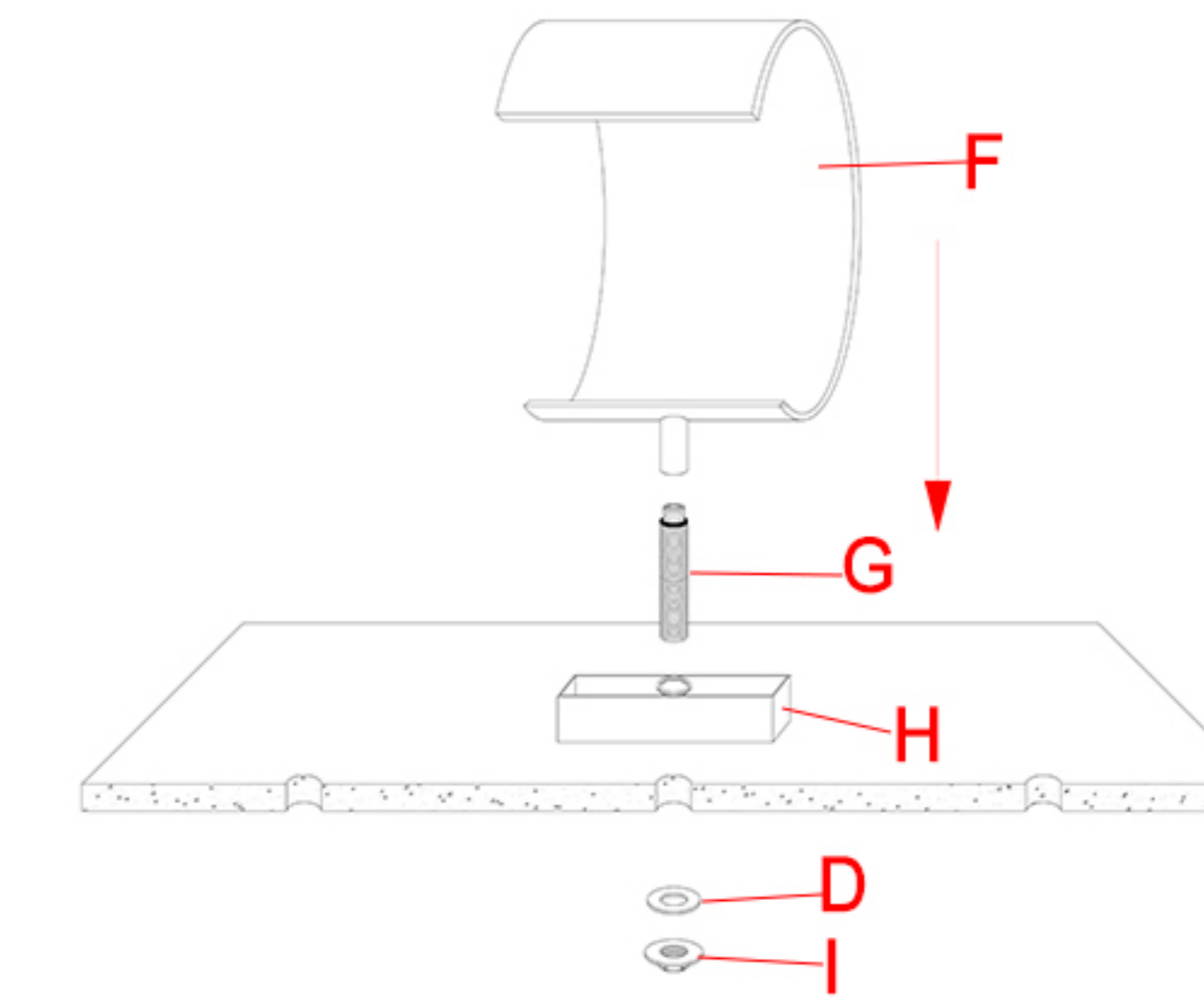


Part	Name	Quantity	Part	Name	Quantity
A	handle	2	H	decorative base	1
B	washer	2	I	mounting nut	1
C	handle base	2	J	set screw	2
D	rubber washer	4	K	Allen key	1
E	valve	2	L	triple tube	1
F	spout body	1	M	waterline	2
G	threaded pipe	1			

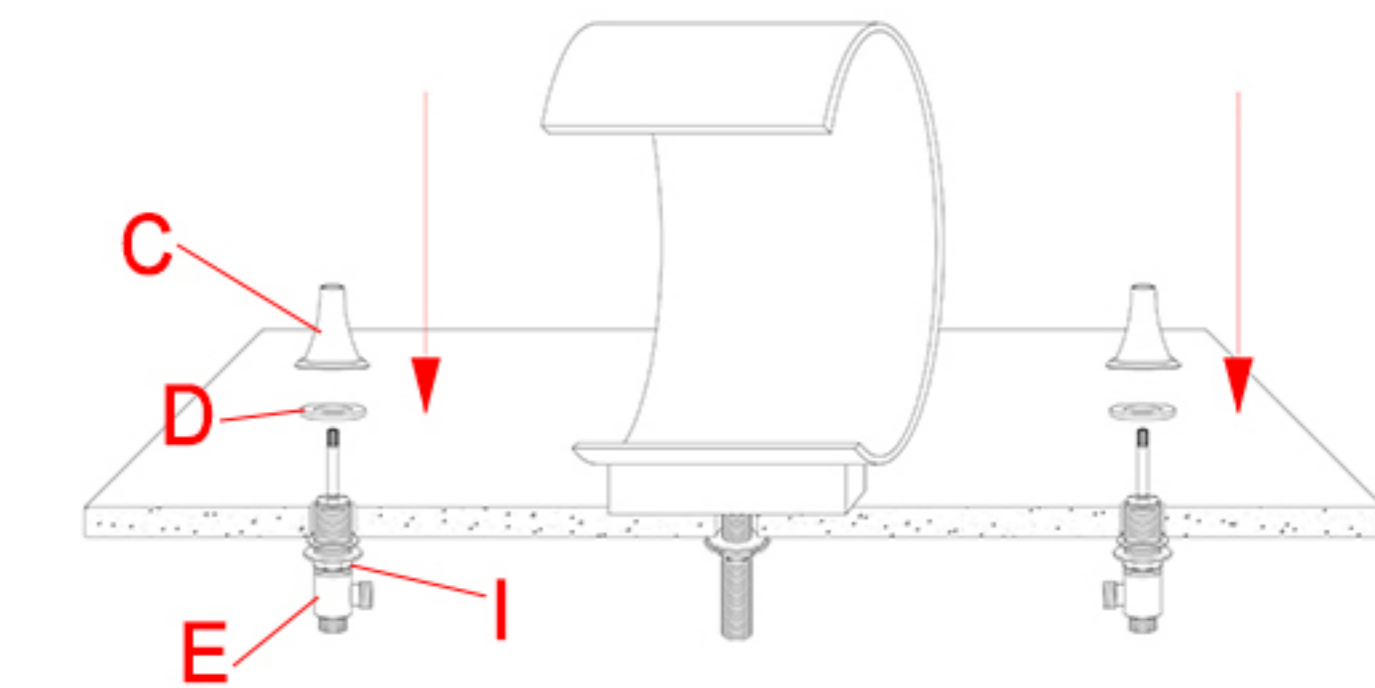
Installation Guide



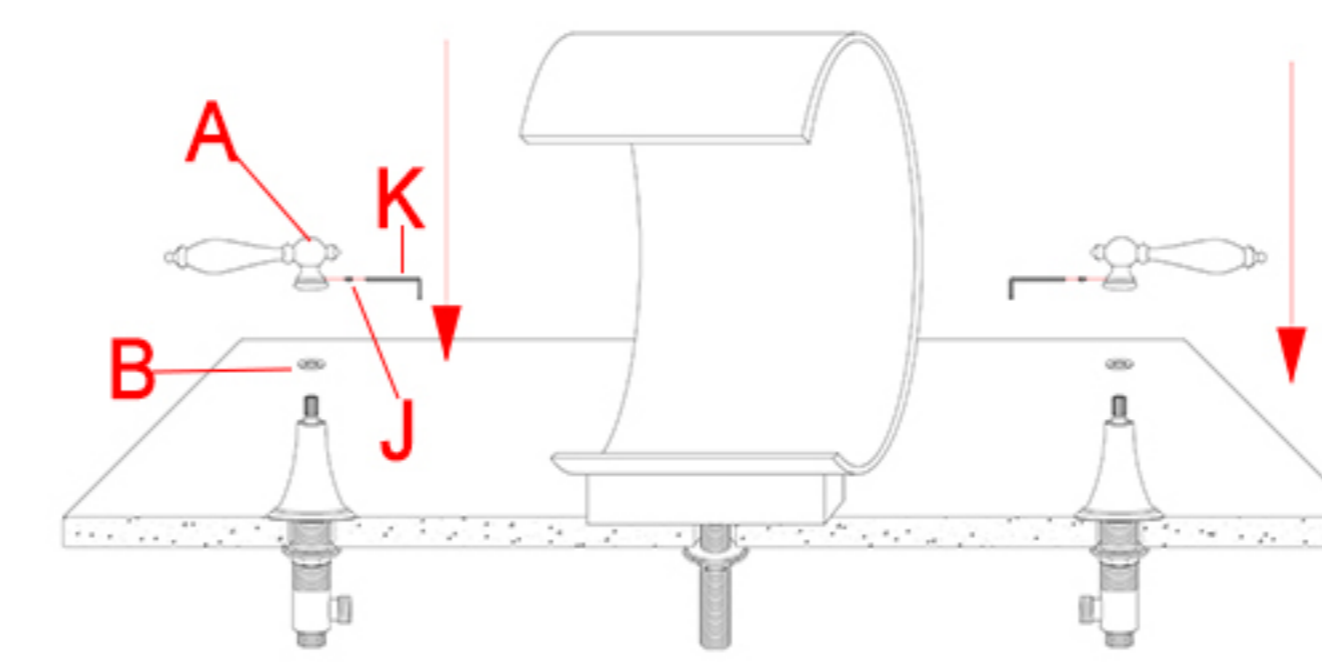
1. Remove the handle (A), handle base (C) and rubber washer (D) from the valve (E). Remove the rubber washer (D) and mounting nut (I) from the threaded pipe (G).



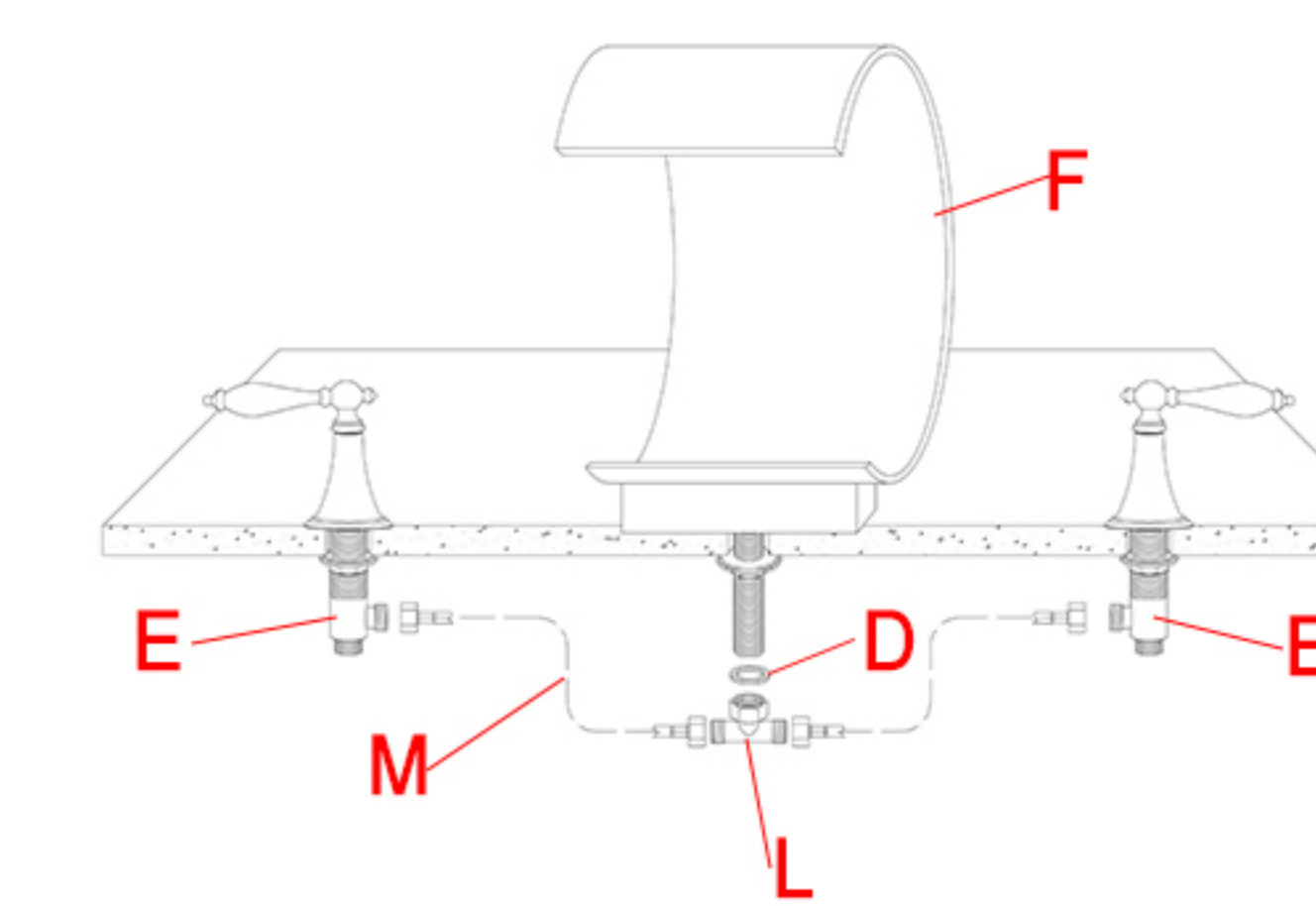
2. Screw the threaded pipe (G) into the spout body (F) and insert the spout body (F) into the specified drill hole on the countertop through the decorative base (H). Install rubber washer (D) onto the threaded pipe (G). Adjust the spout body (F) correctly and secure with mounting nut (I) tightly.



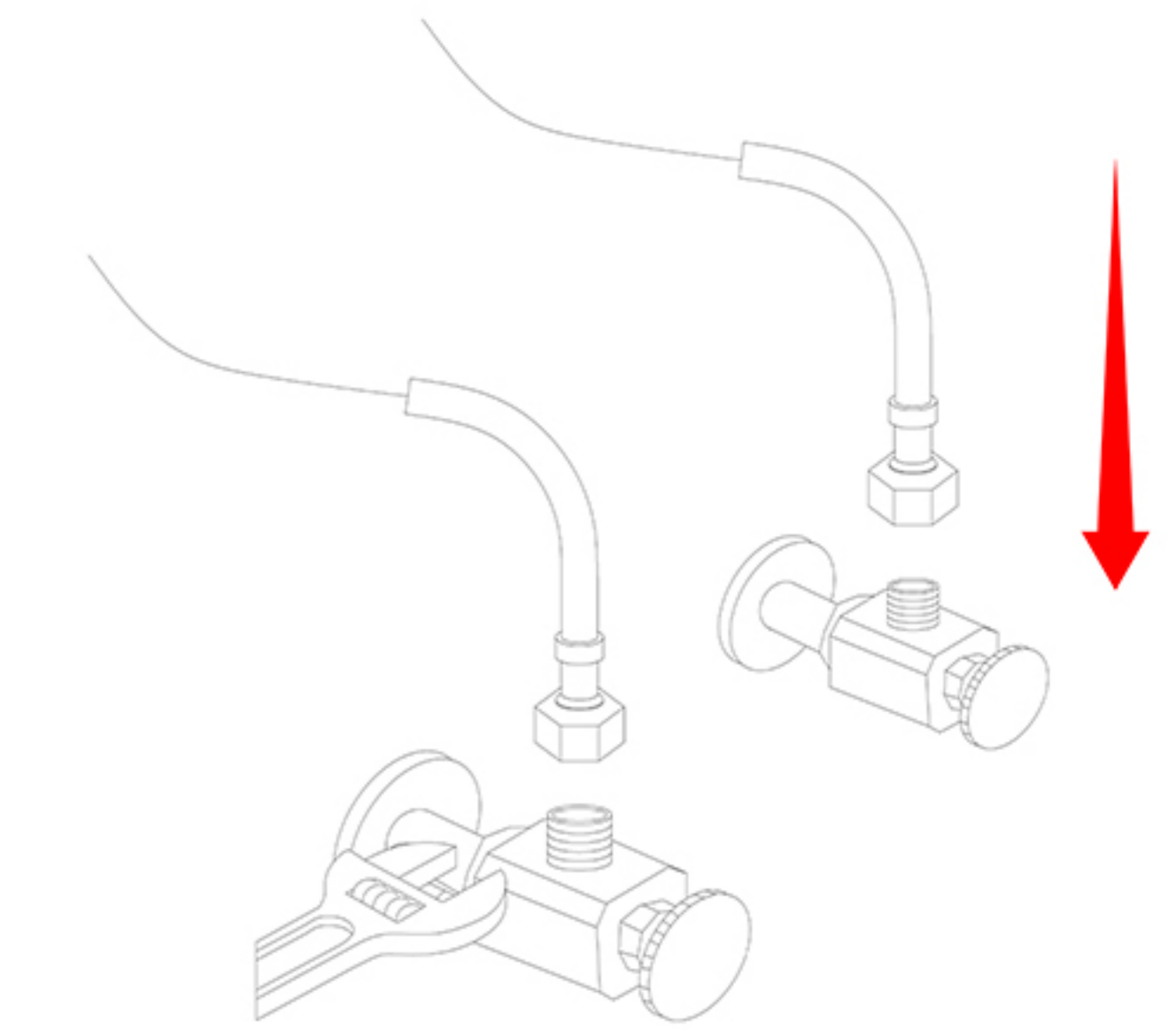
3. Install valve (E) into the specified drilled hole underneath the countertop. Install the rubber washer (D) and screw the handle base (C) into the valve (E). Adjust the height and position of valve (E) and screw mounting nut (I) to tighten valve (E) underneath the countertop securely.



4. Fit the washer (B) into the valve (E). Screw the handle (A) onto the valve (E) and tighten set screw (J) with Allen key (K).



5. Add the rubber washer (D) inside of the female end of the triple tube (L) and install the triple tube (L) by screwing onto the threaded tail pipe of the spout body (F). Screw waterlines (M) into the triple tube (L) and valve (E) according to the picture.



6. Connect waterlines (not included) onto the bottom of valve and then to the main water supply line.

Troubleshooting

Problem	Possible Cause	Corrective Action
Water does not shut off completely.	1. O-ring is not seated correctly or worn. 2. Cartridge may be defective.	1. Reseat or replace O-ring. 2. Replace cartridge.
Leaks at waterline connection.	1. Worn or broken washer. 2. Faucet body may be defective.	1. Replace washer. 2. Replace faucet (contact us for the replacement).
Leaks from handle.	1. Cartridge may come loose. 2. Cartridge may be defective.	1. Reseat cartridge tight. 2. Replace cartridge.
Leaks at hose connection.	1. Hose connection is loose.	1. Tighten hose. 2. Replace hose.
Leaks at shower valve connection.	1. Connection may come loose or not sealed completely. 2. Defective shower valve inlet or outlet connector.	1. Check connections. 2. Replace valve body.
Diverter knob does not work.	1. Diverter cartridge may be defective.	1. Replace cartridge.
LED light does not Light or noisy LED showerhead.	1. Defective LED generator.	1. Replace LED spray head (for kitchen faucet). 2. Replace LED threaded pipe (for separate faucet spout). 3. Replace LED generator (for others).
Low flow.	1. Check for water pressure problems. 2. Aerator may be dirty or clogged.	1. Clean or replace the aerator. 2. Remove waterflow restrictor if available. 3. Install booster or pump (if applicable).