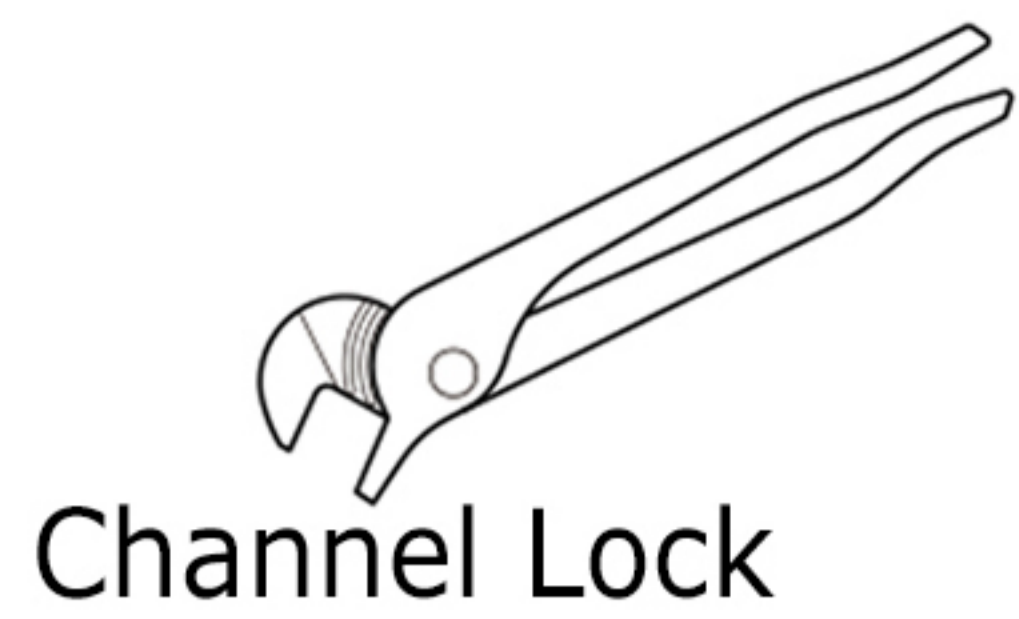
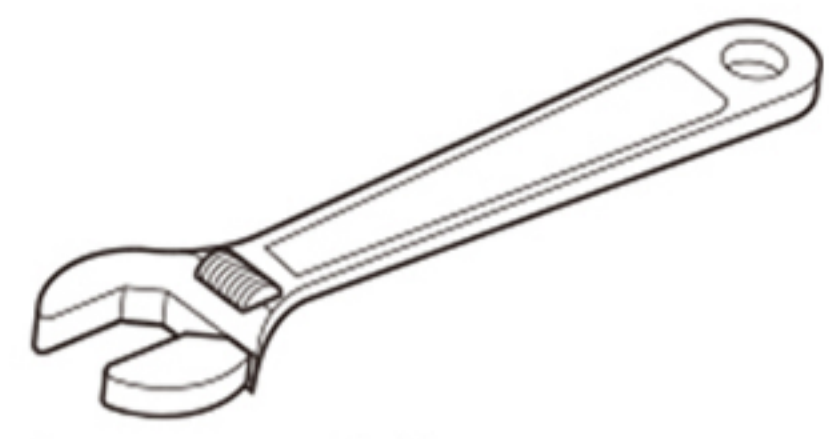


# Pop-up Drain Installation

## Tools You May Need



Channel Lock



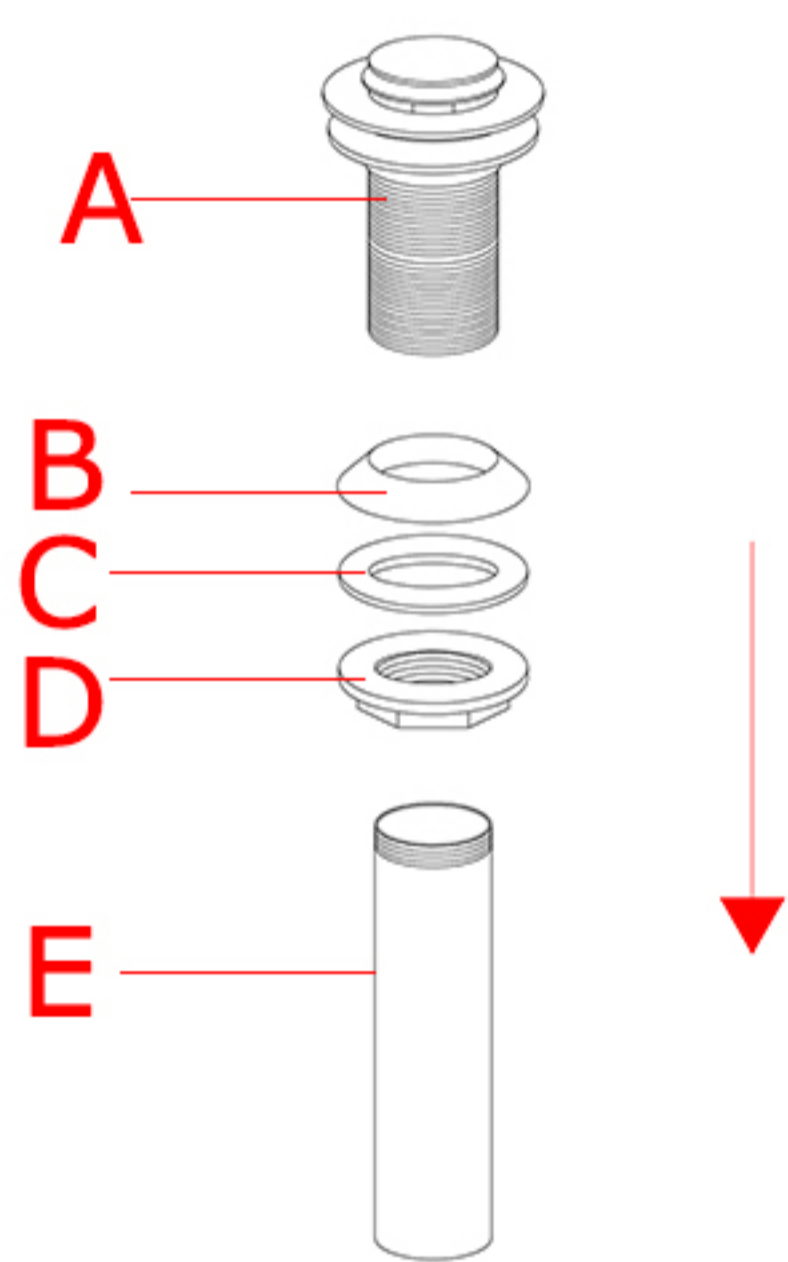
Adjustable Wrench

## Before the Installation

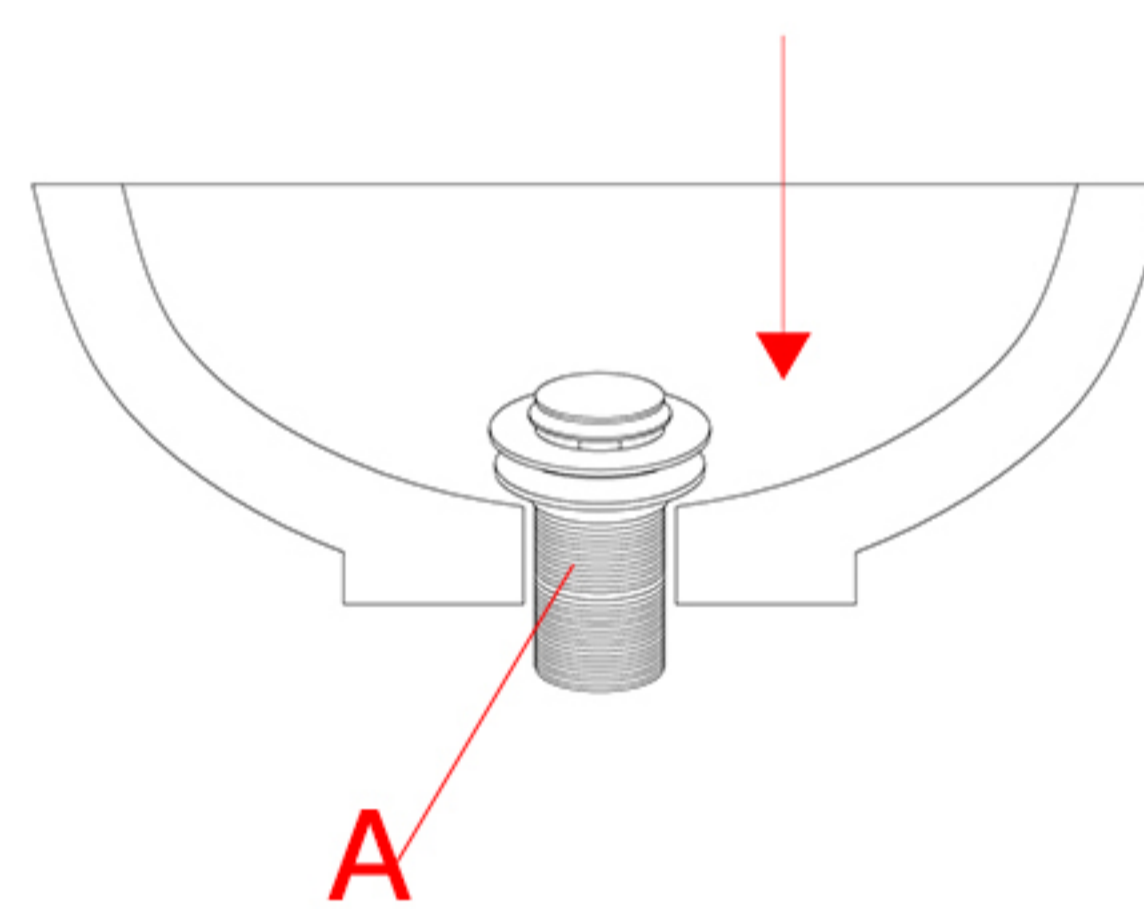
1. Unpack and inspect the drain for damage. Return it to the packaging until installation.
2. This drain is used for sinks with overflow holes. **(Important)**
3. Ensure that you have gathered all of the required materials needed for installation.
4. Install this product according to the installation guide.

## Cleaning and Maintenance

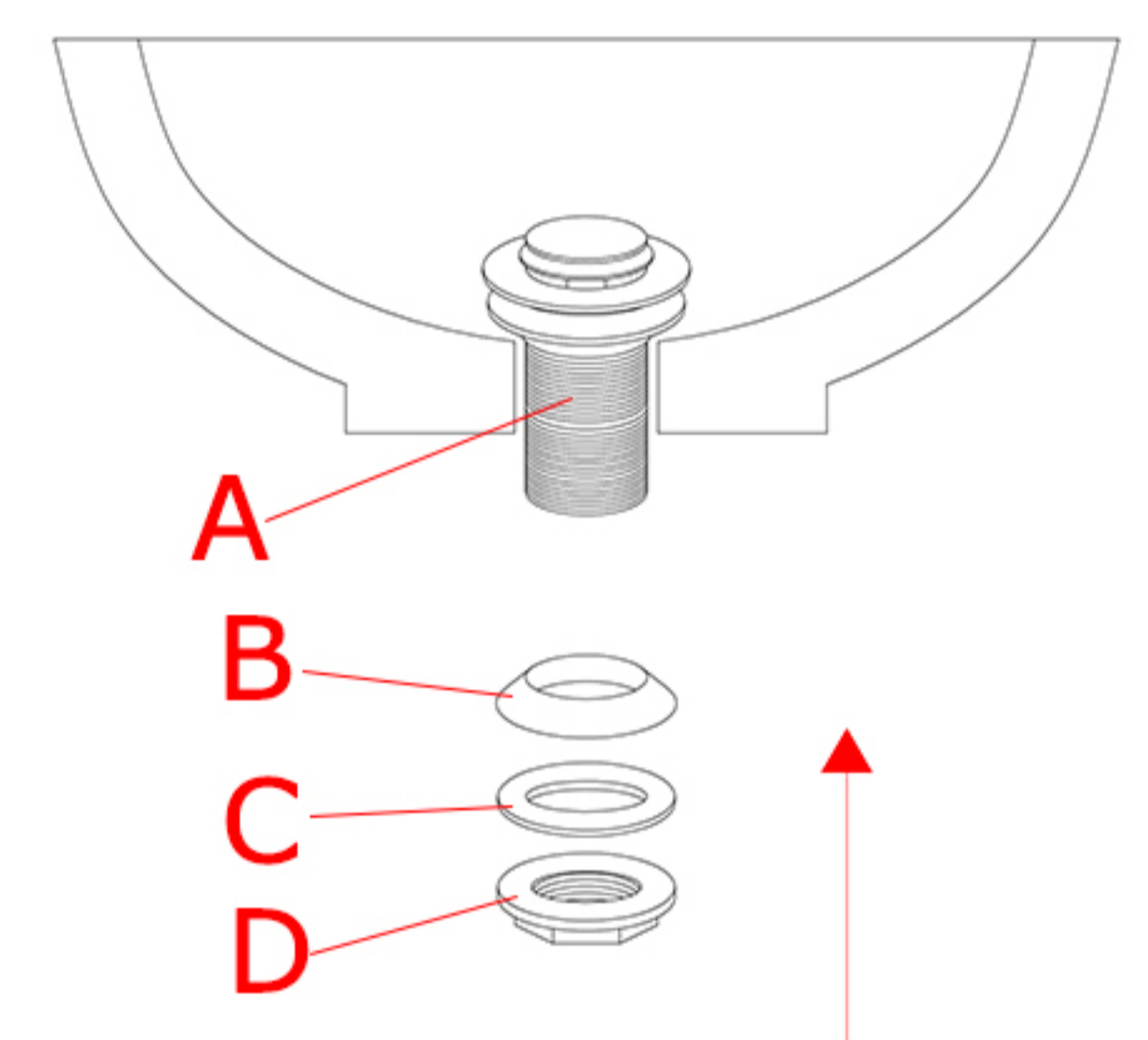
1. Rinse with clean water and dry with a soft cloth.
2. Do not use any detergent, acid, polisher, abrasives, or harsh cleaners.
3. Do not use cloth with a coarse surface.



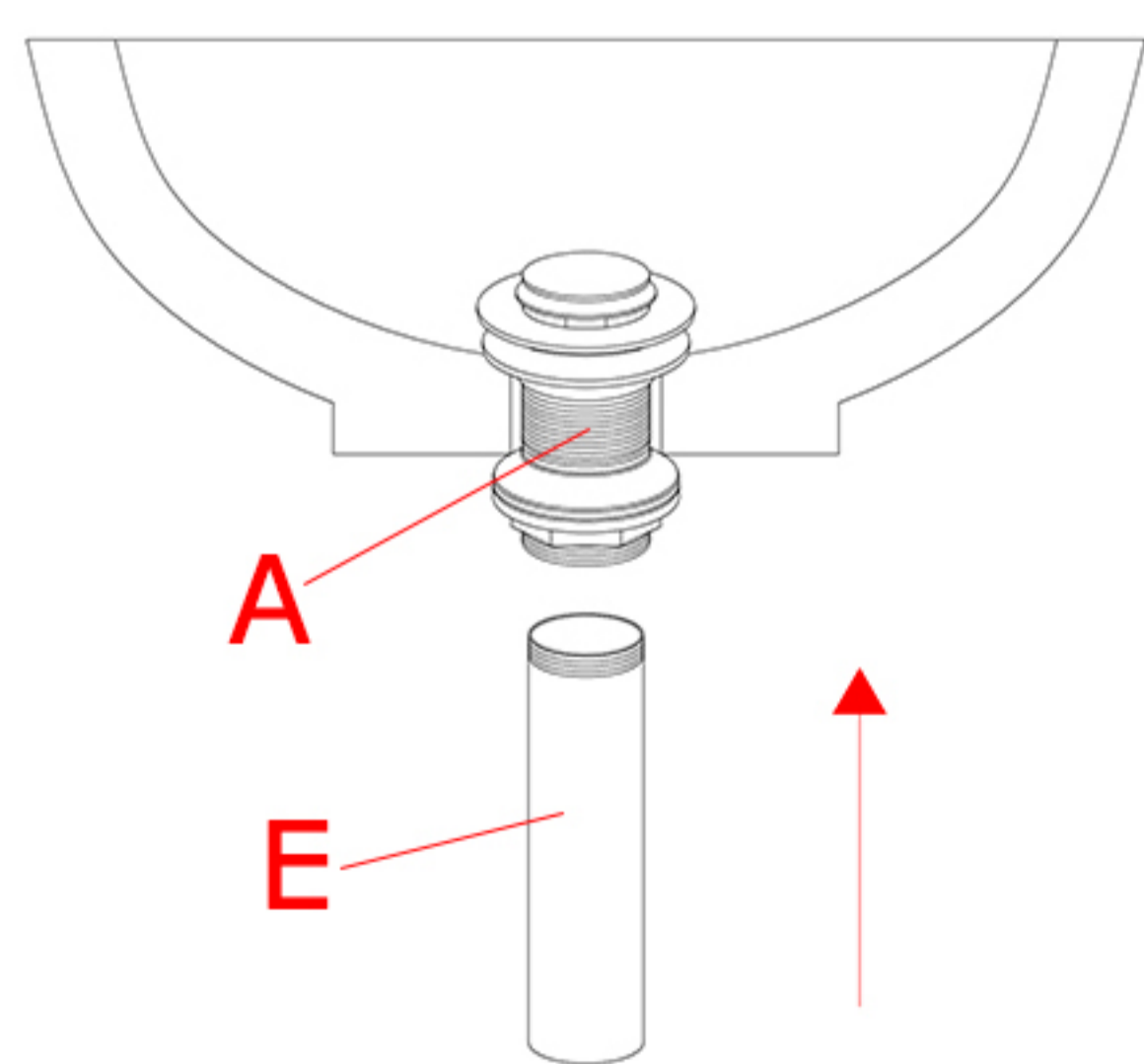
1. Remove tailpipe (E), mounting nut (D) and poly washer (C) and rubber gasket (B) from drain body (A).



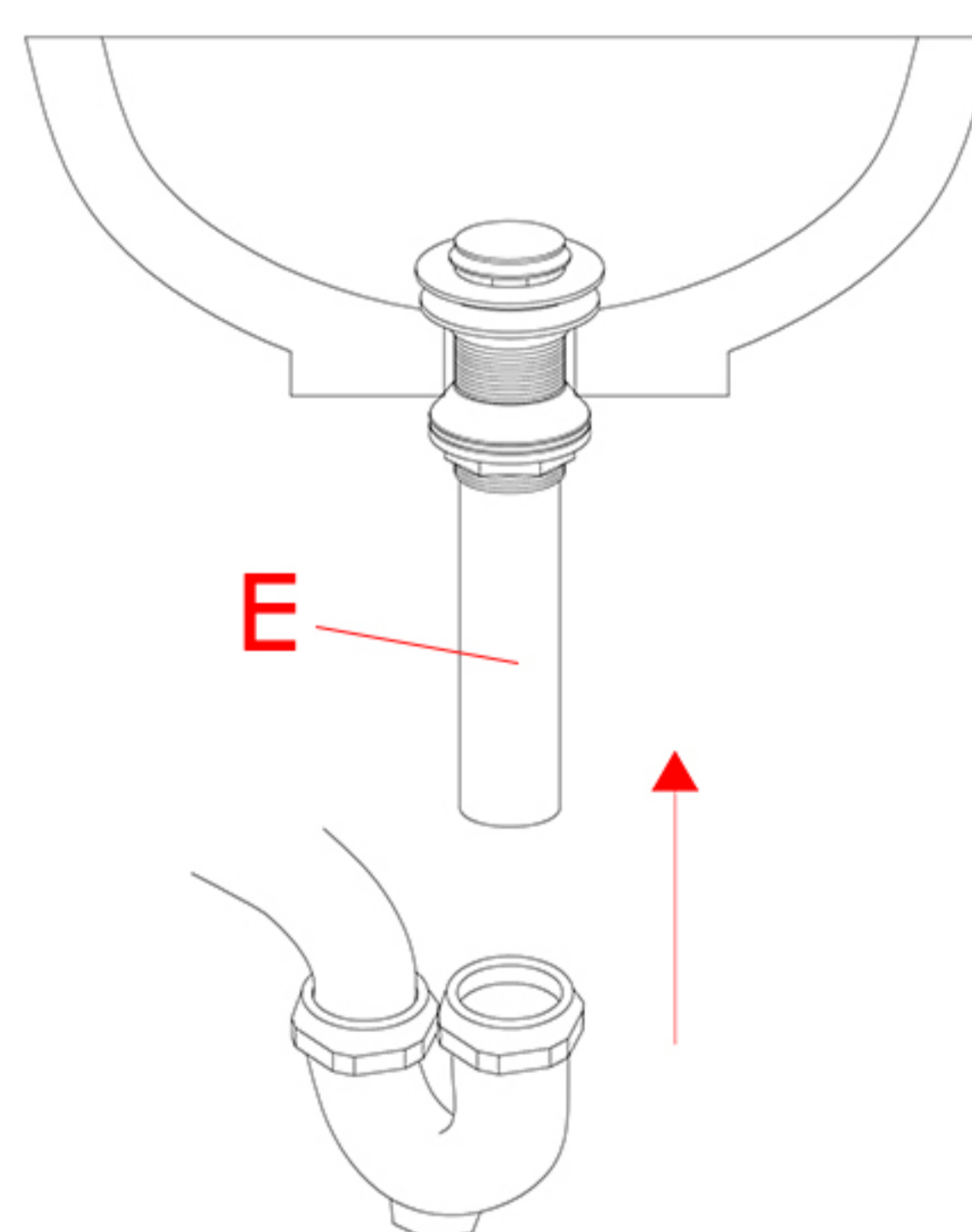
2. Insert the drain body (A) into sink drain opening.



3. Underneath the countertop, install the rubber gasket (B), poly washer (C) and mounting nut (D) onto the drain body (A), then secure with channel lock (**Do not overtighten**).



4. Screw the tailpipe (E) to the drain body (A).



5. Connect the trap to the tailpipe (E).