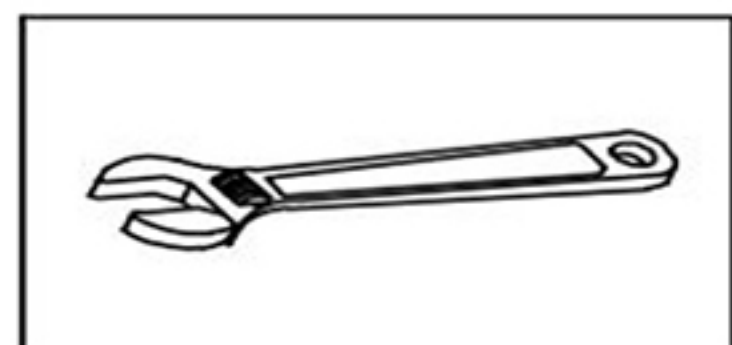
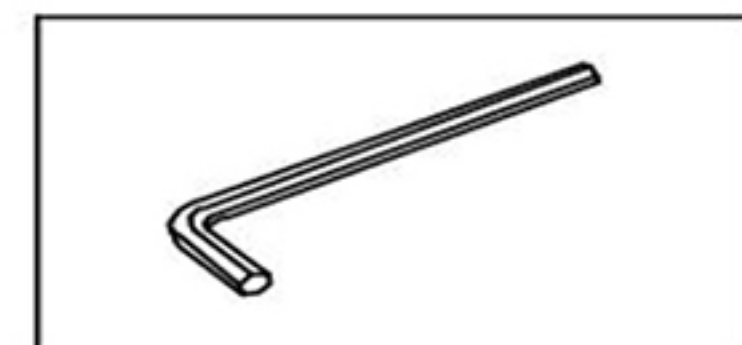


# Bathroom Sink Installation

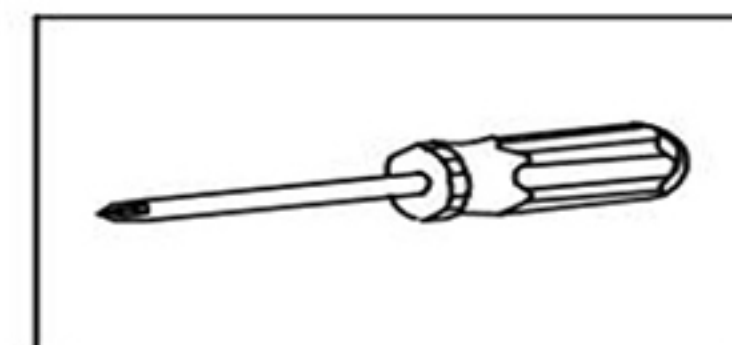
## INSTALLATION MANUAL Tools You Will Need:



Adjustable wrench



Hexagon wrench



Phillips Screwdriver

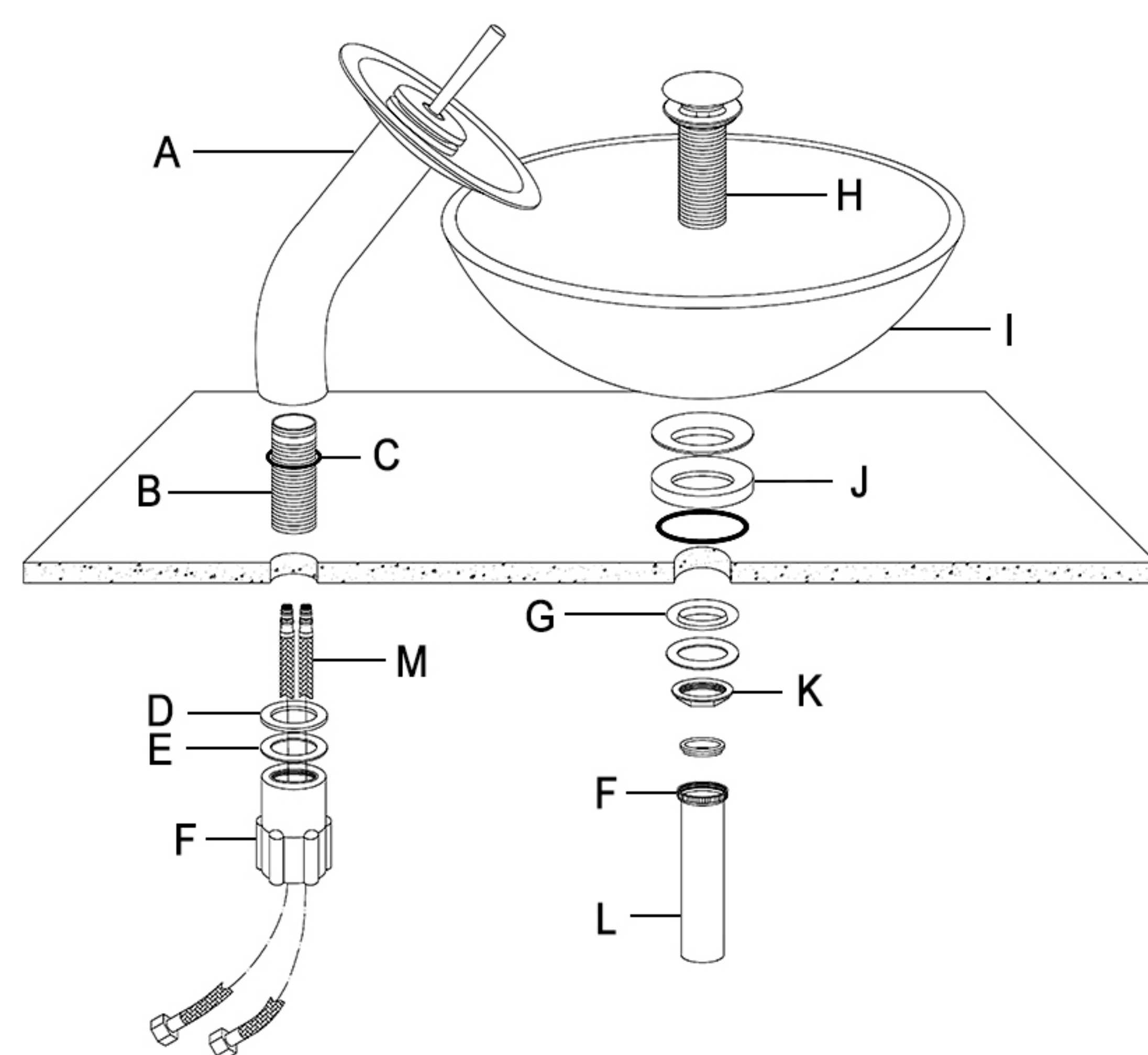
### Before the Installation

1. Check the package and confirm all parts are included. If any part is missing or damaged, please contact us.
2. Do not disassemble the main body, as it has been installed & commissioned correctly & precisely before leaving the factory.
3. Shut off the main water supply prior to beginning installation.
4. Do flush the water supply lines to remove any dirt and debris before installation (**IMPORTANT**).
5. Make sure to connect the hot/cold inlet pipe correctly. If standing in front, connect hot water pipe to the left and cold water pipe to the right.
6. After the installation, check for leaks and make sure every joint is safely sealed.

### Cleaning and Maintenance

1. Rinse with clean water and dry with a soft cloth.
2. Do not use any detergent, acid, polisher, abrasives, or harsh cleaners.
3. Do not use cloth with a coarse surface.

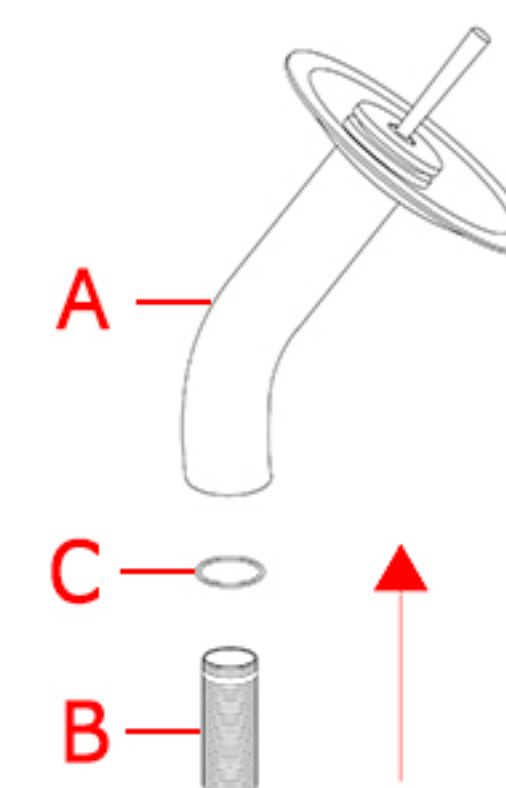
### Parts List



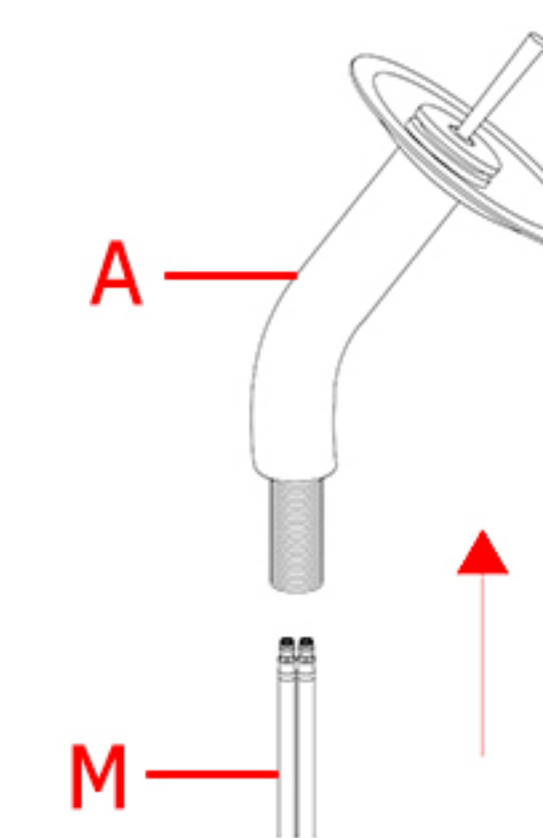
| Part | Name          | Quantity |
|------|---------------|----------|
| A    | faucet body   | 1        |
| B    | thread pipe   | 1        |
| C    | O-ring        | 2        |
| D    | rubber washer | 2        |
| E    | metal washer  | 1        |
| F    | mounting nut  | 2        |
| G    | rubber gasket | 3        |

| Part | Name          | Quantity |
|------|---------------|----------|
| H    | drain body    | 1        |
| I    | vessel sink   | 1        |
| J    | mounting ring | 1        |
| K    | lock nut      | 1        |
| L    | tail pipe     | 1        |
| M    | waterline     | 2        |

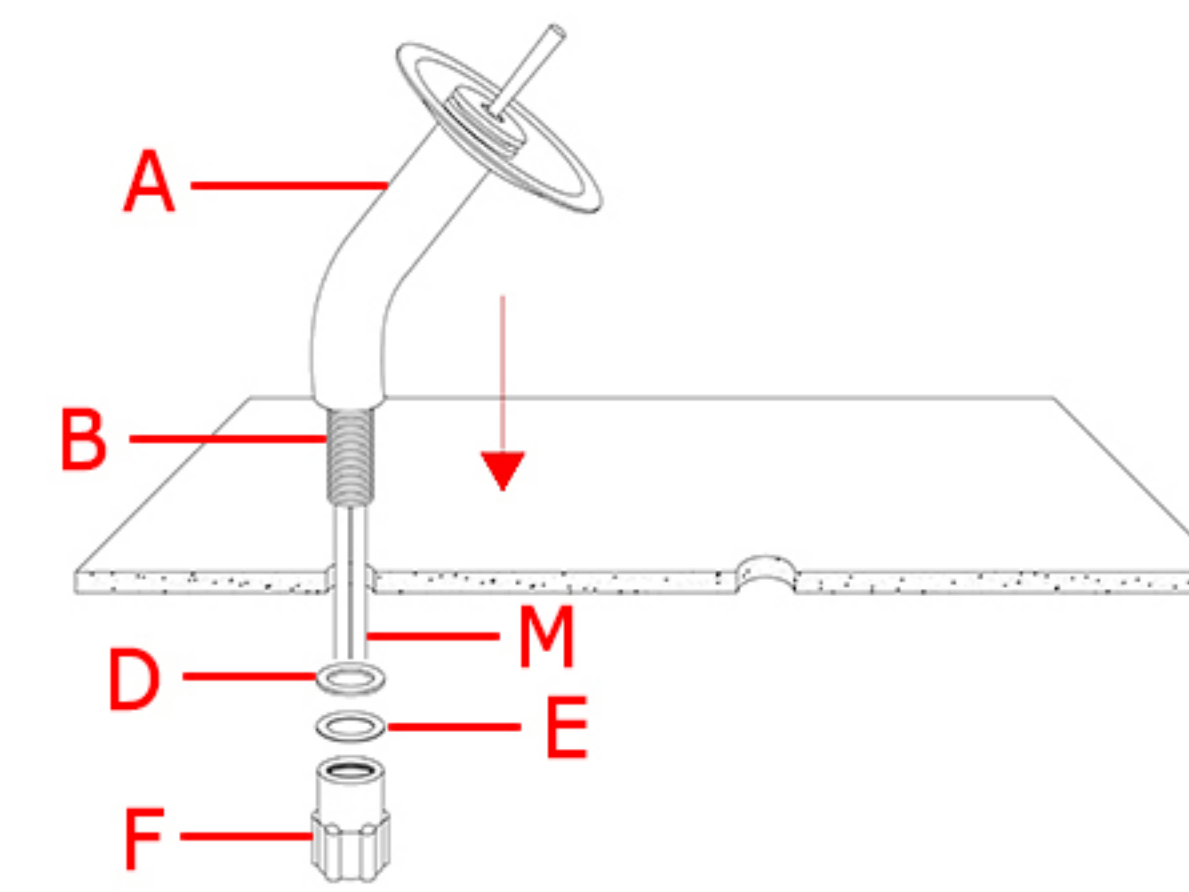
## Installation Guide



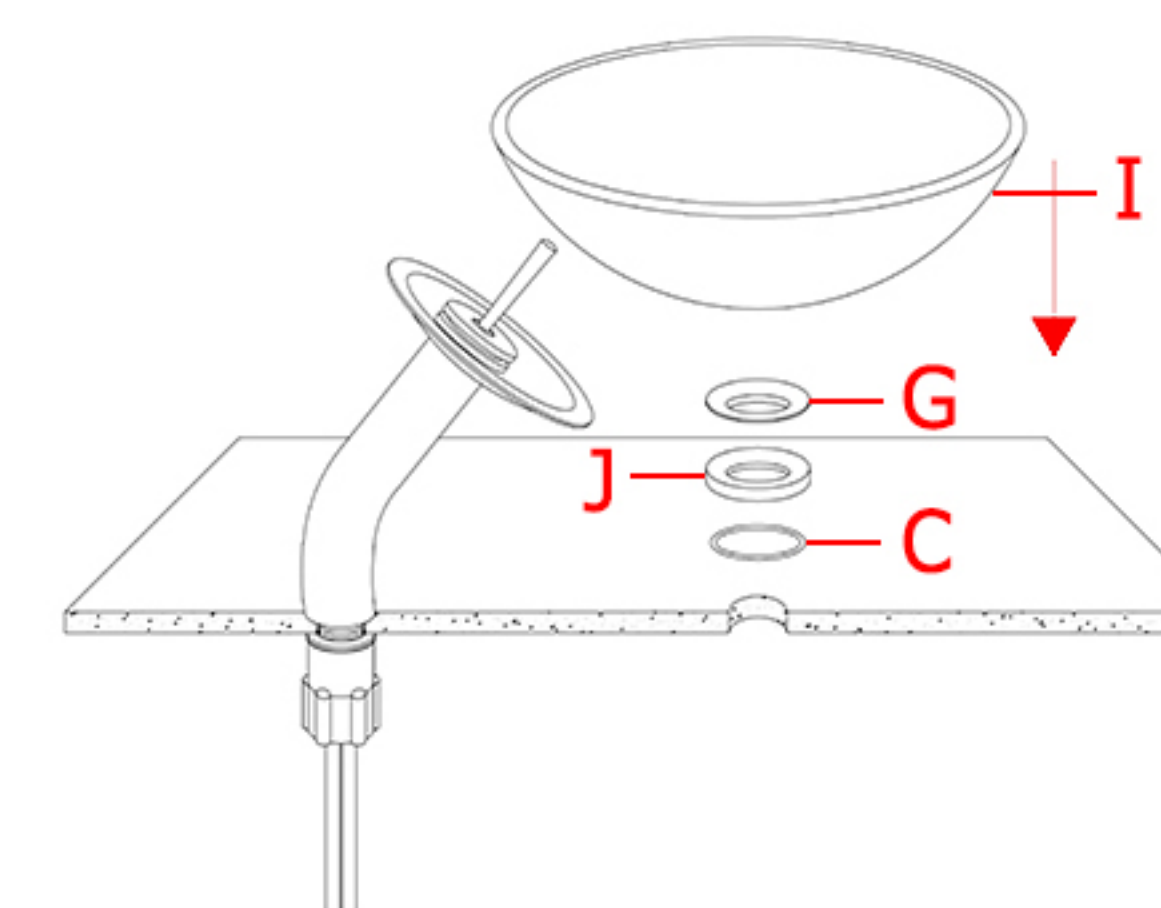
1. Fit the O-ring (C) into the bottom groove of faucet body (A) and screw the thread pipe (B) into faucet body (A).



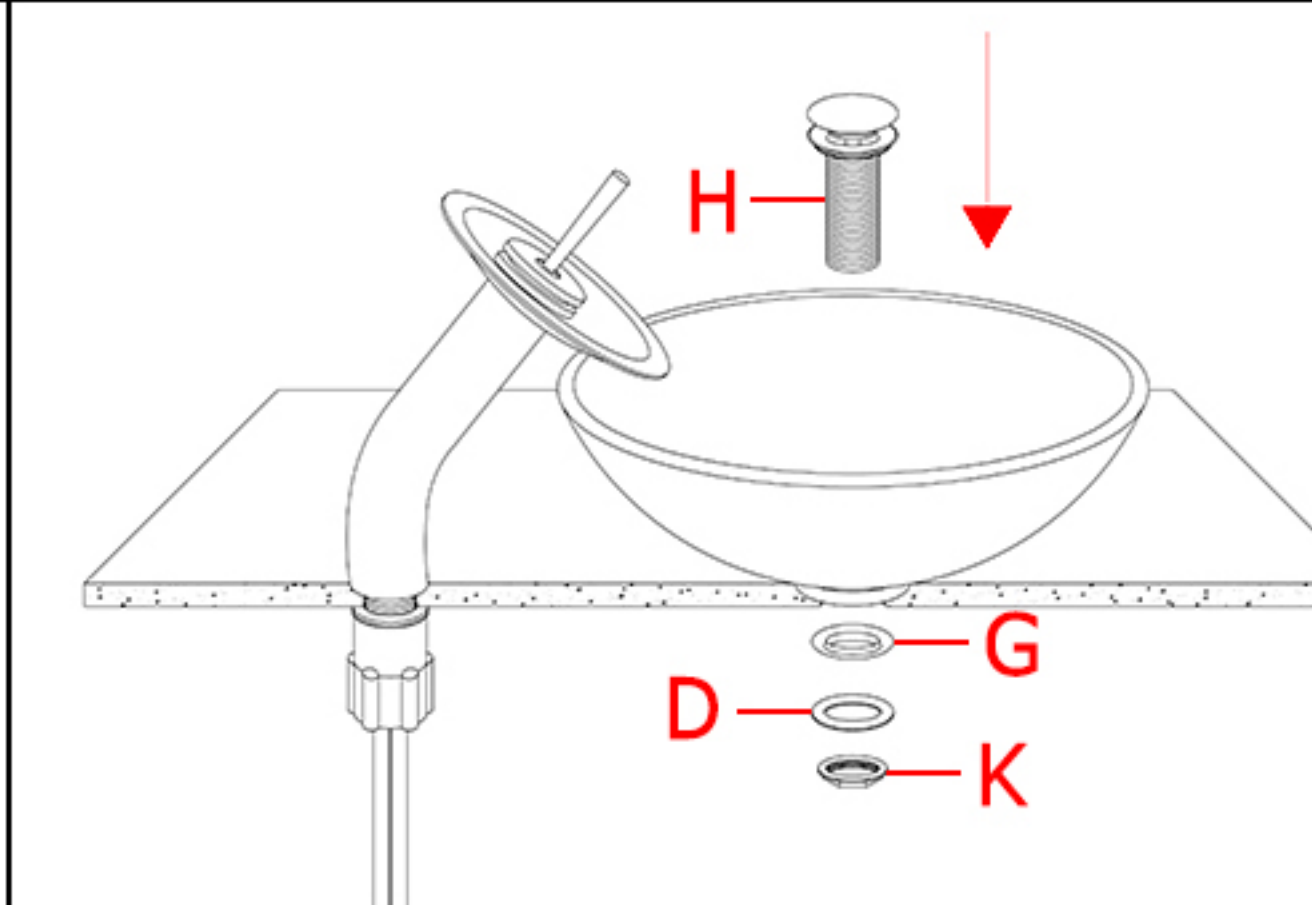
2. Screw waterlines (M) into the corresponding screw hole of faucet body (A).



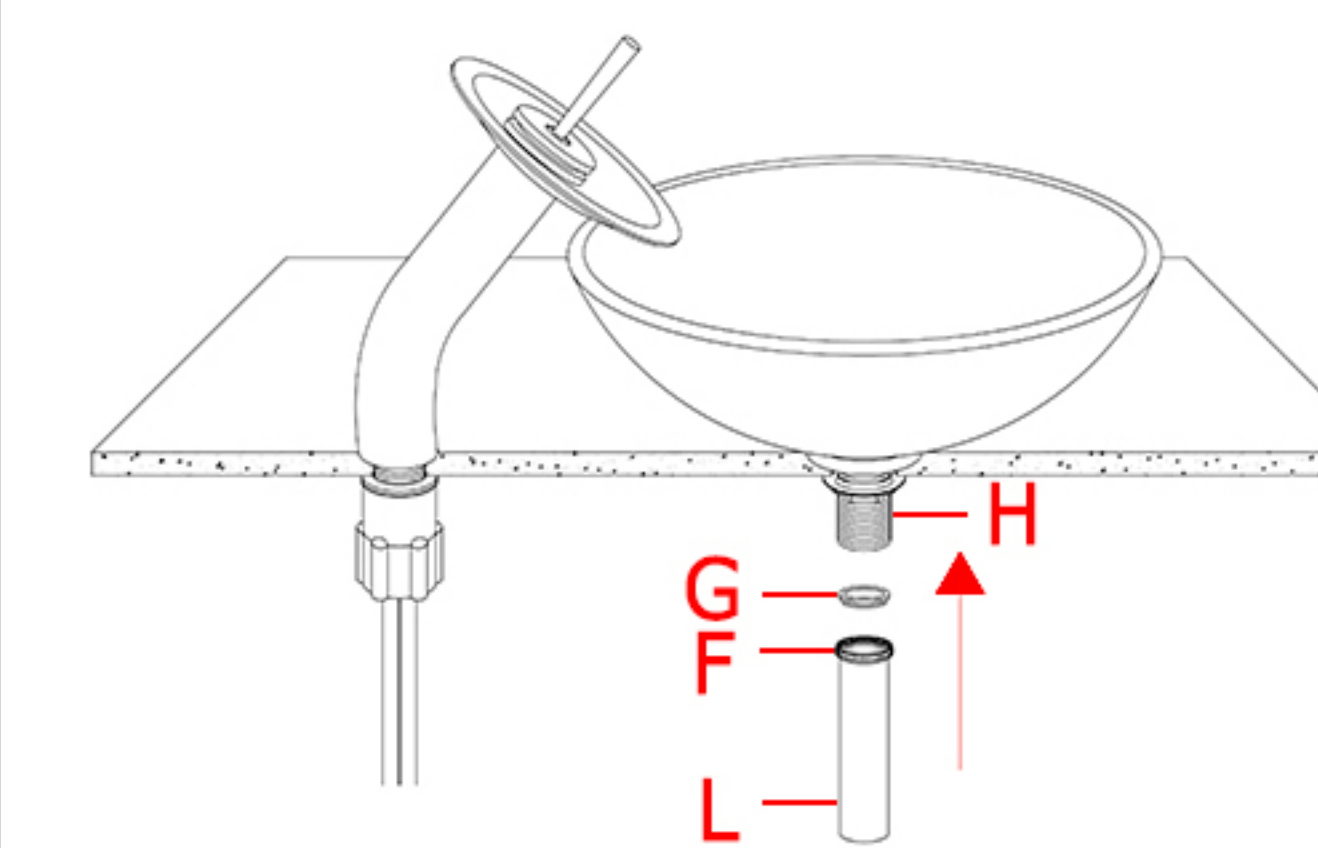
3. Insert waterlines (M) and threaded pipe (B) through the drilled hole of the countertop. Put rubber washer (D) and metal washer (E) onto the threaded pipe (B). Adjust the faucet body (A) correctly and tighten with the mounting nut (F).



4. Fit O-ring (C) into the bottom groove of the mounting ring (J). Place the mounting ring (J) and rubber gasket (G) over the drain hole in the countertop, applying adhesive. Position the sink drain opening over the drain hole and gently rest the vessel sink (I) on the mounting ring (J).



5. Insert the drain body (H) through the sink drain opening and through the countertop. Thread the rubber gasket (G), rubber washer (D), and lock nut (K) onto the drain body (H) and tighten with a plier.



6. Add a rubber gasket (G) and attach the tail pipe (L) to the drain body (H), fixing the mounting nut (F).

## Troubleshooting

| Problem   | Possible Cause   | Corrective Action  |
|---|--|--|
| Water does not shut off completely.               | 1. O-ring is not seated correctly or worn.<br>2. Cartridge may be defective.                                   | 1. Reseat or replace O-ring.<br>2. Replace cartridge.  |
| Leaks at waterline connection.                    | 1. Worn or broken washer.<br>2. Faucet body may be defective.  | 1. Replace washer.<br>2. Replace faucet (contact us for the replacement).  |
| Leaks from handle.                                | 1. Cartridge may come loose.<br>2. Cartridge may be defective.   | 1. Reseat cartridge tight.<br>2. Replace cartridge.  |
| Leaks at hose connection.                         | 1. Hose connection is loose.   | 1. Tighten hose.<br>2. Replace hose.   |
| Leaks at shower valve connection.                 | 1. Connection may come loose or not sealed completely.<br>2. Defective shower valve inlet or outlet connector. | 1. Check connections.<br>2. Replace valve body.  |
| Diverter knob does not work.                      | 1. Diverter cartridge may be defective.  | 1. Replace cartridge.  |
| LED light does not Light or noisy LED showerhead. | 1. Defective LED generator.  | 1. Replace LED spray head (for kitchen faucet).<br>2. Replace LED threaded pipe (for separate faucet spout).<br>3. Replace LED generator (for others). |
| Low flow.   | 1. Check for water pressure problems.<br>2. Aerator may be dirty or clogged.                                   | 1. Clean or replace the aerator.<br>2. Remove waterflow restrictor if available.<br>3. Install booster or pump (if applicable).                        |