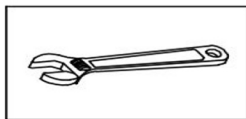
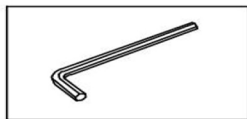


## Nightstand Installation

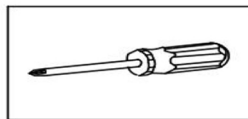
### INSTALLATION MANUAL Tools You Will Need:



Adjustable wrench



Hexagon wrench



Phillips Screwdriver

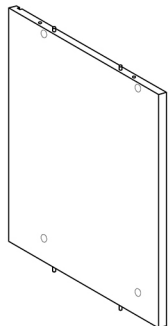
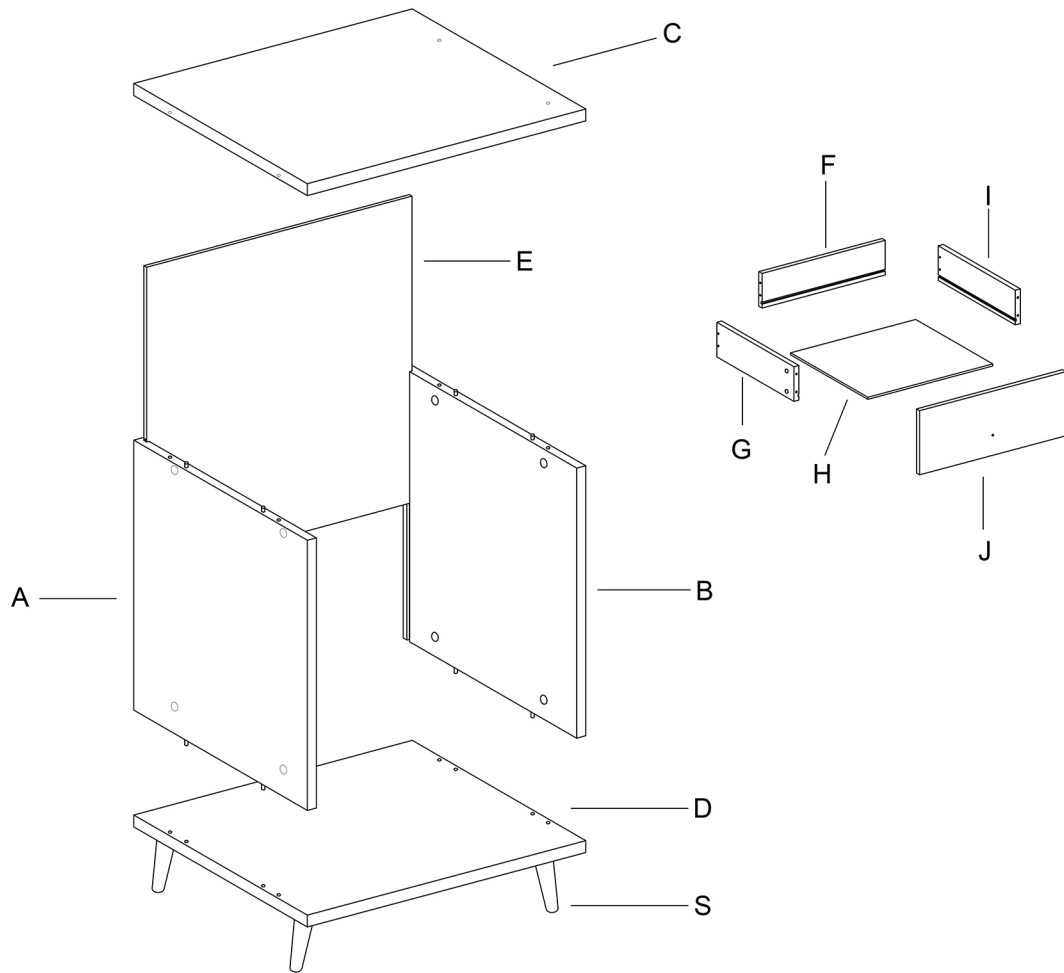
### Before the Installation

1. Do not throw away packing materials until assembly is complete for small parts may come loose inside the carton during shipment. If parts are missing, please contact us.
2. Assemble this item on a soft surface, such as carpet to protect the finish.
3. Proper assembly of this item requires 2 people.
4. Periodically check to ensure that all connections are tight.
5. It is recommended that installation of the product be done by a qualified licensed plumber.

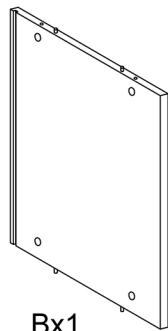
### Care and Cleaning

1. To protect the finish, avoid use chemicals and household cleaners.
2. All hot serving dishes should be placed on a pad.
3. Any liquid spilled onto the top should be cleaned up immediately with a damp cloth.

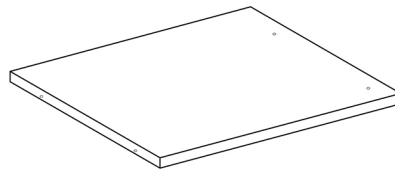
# Parts List



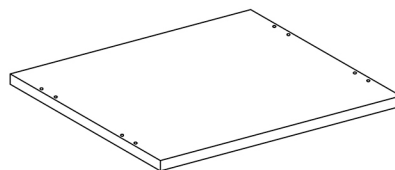
Ax1



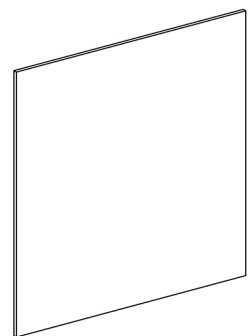
Bx1



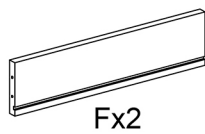
Cx1



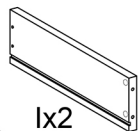
Dx1



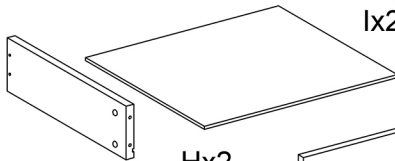
Ex1



Fx2

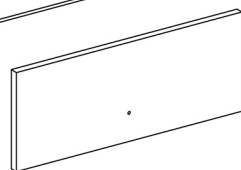


Ix2

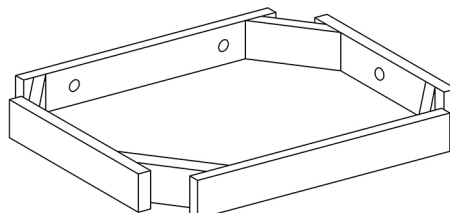


Gx2

Hx2



Jx2



Kx1



Lx4



Mx8



Nx16



Ox22



Px22



Qx2



Rx8



Sx4

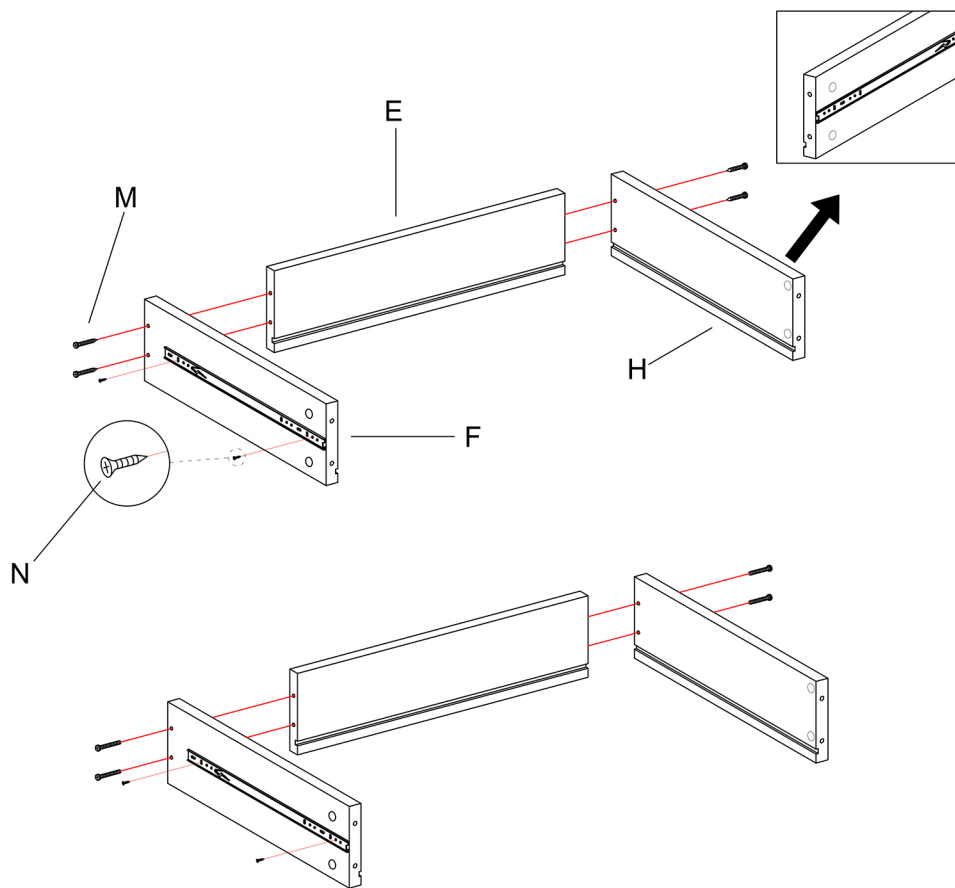


Tx2

# Step 1

M  x8

N  x8

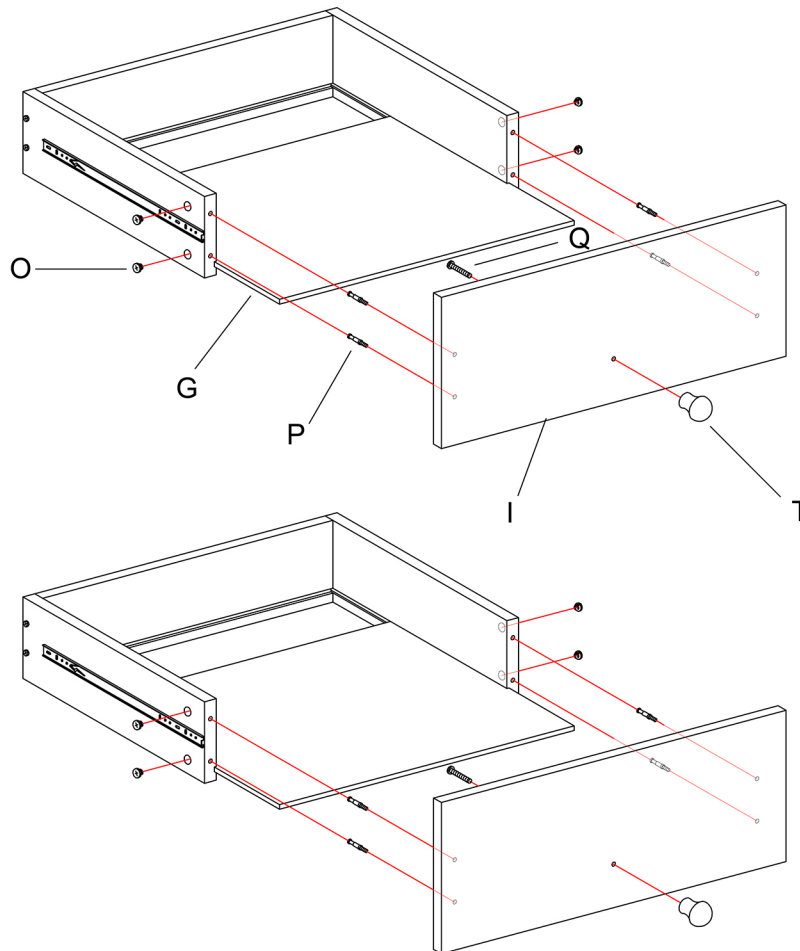


# Step 2

O  x8

P  x8

Q  x2

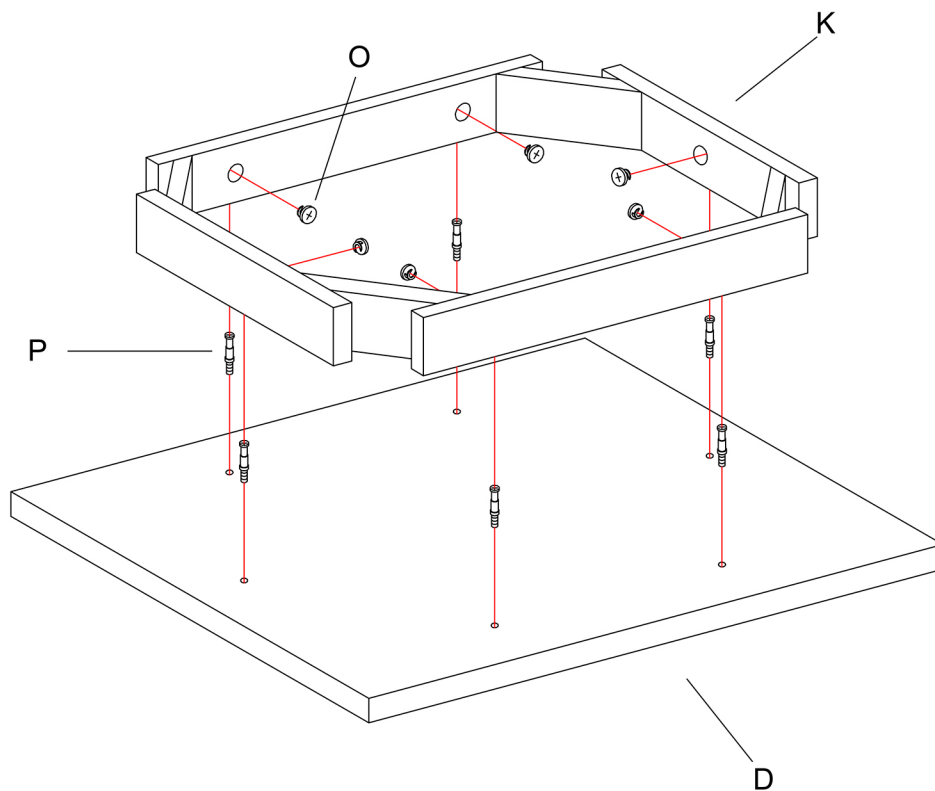


### Step 3

P.4/7

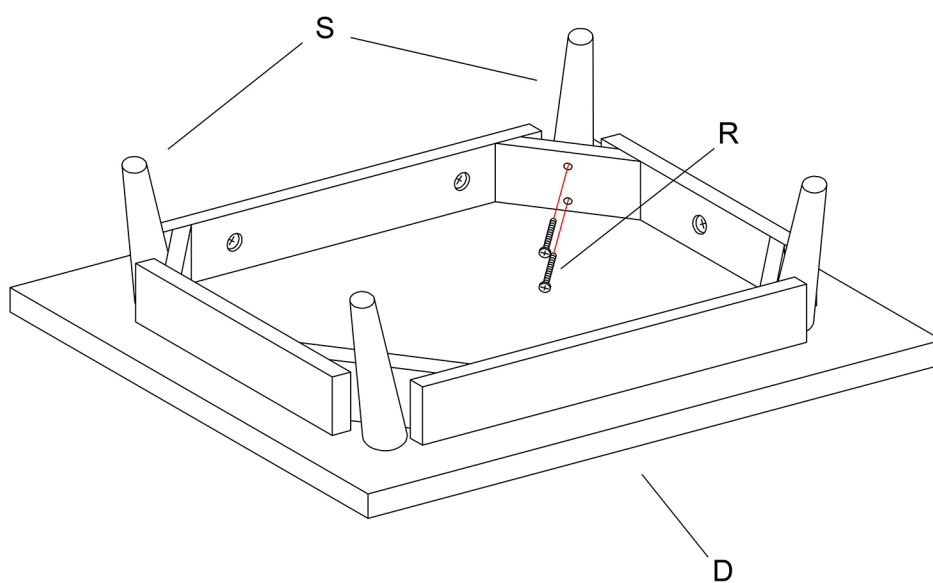
O  x6

P  x6



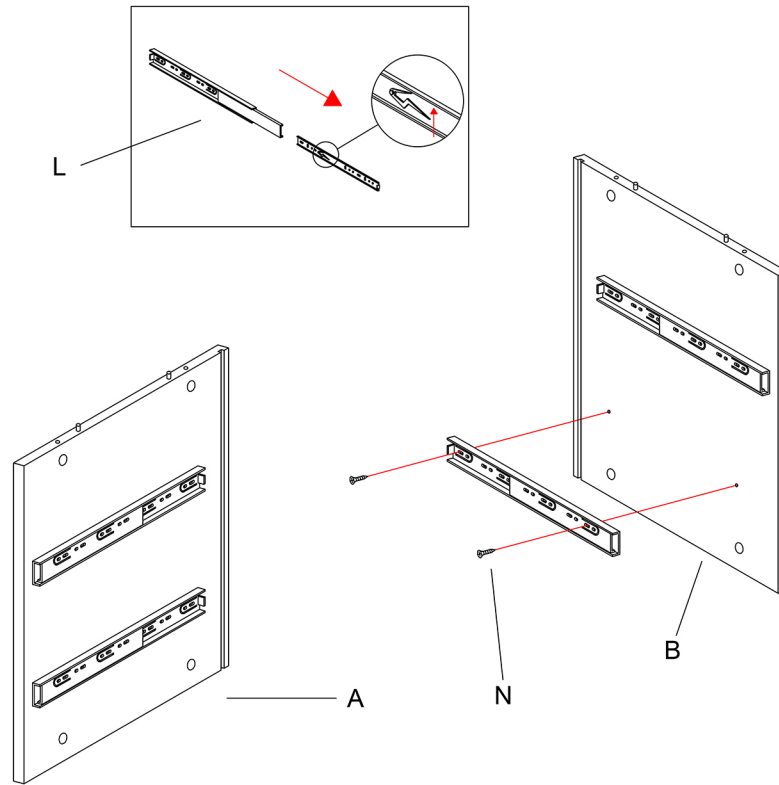
### Step 4

R  x8



# Step 5

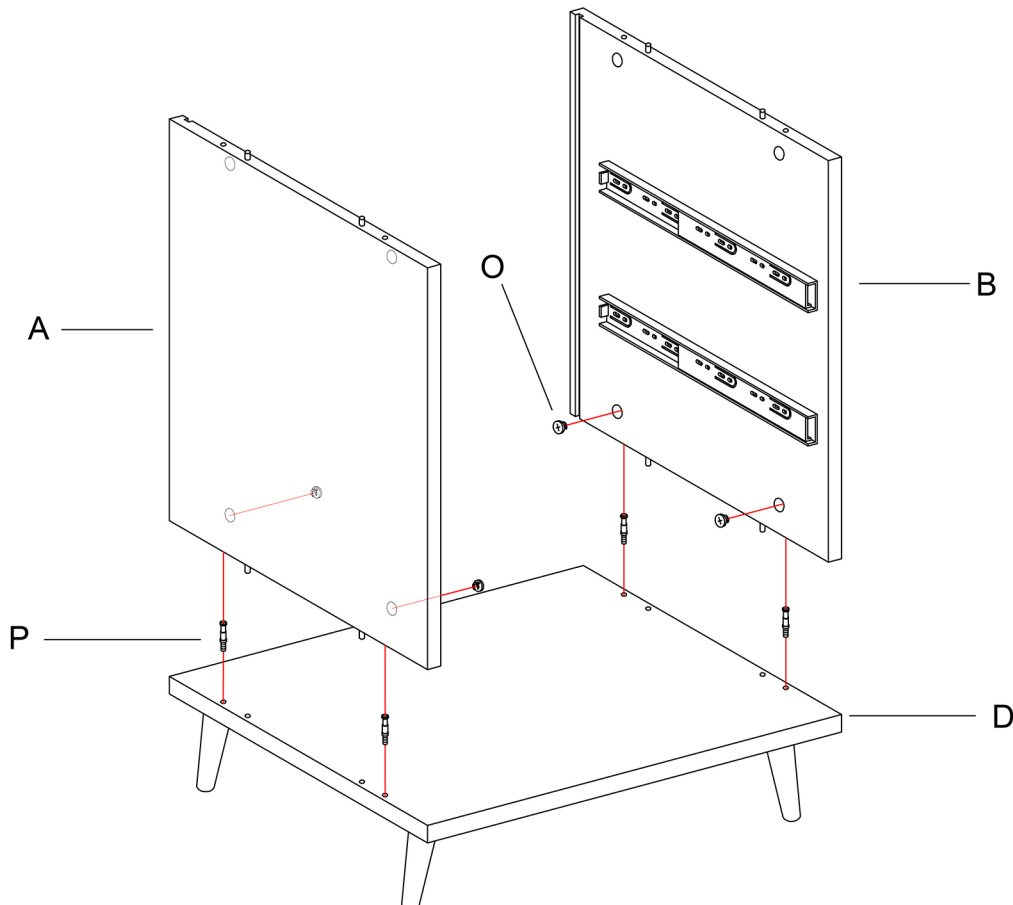
N  x8



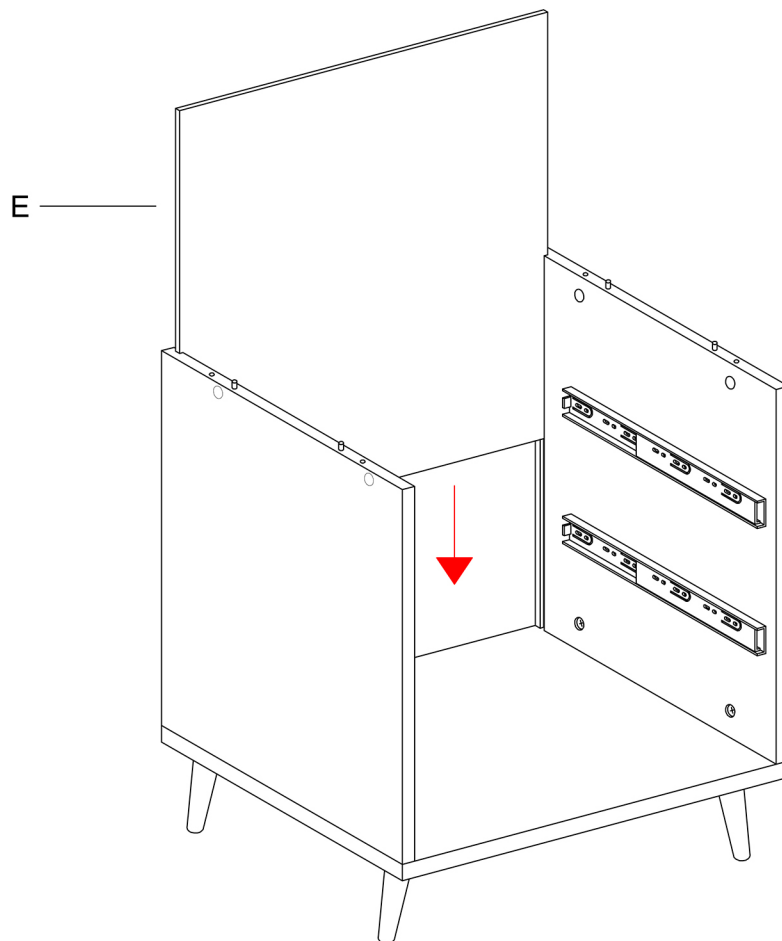
# Step 6

O  x4

P  x4



# Step 7



# Step 8

O  x4

P  x4

