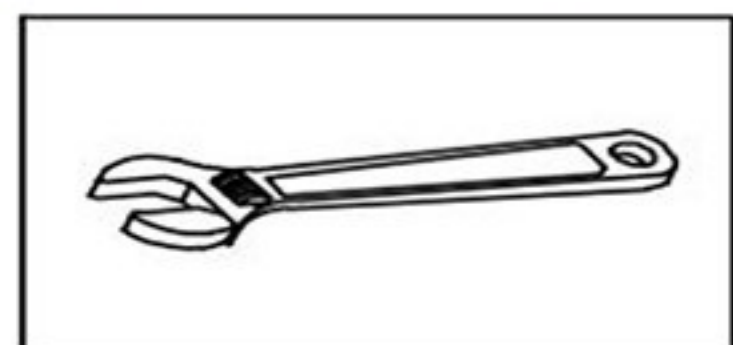
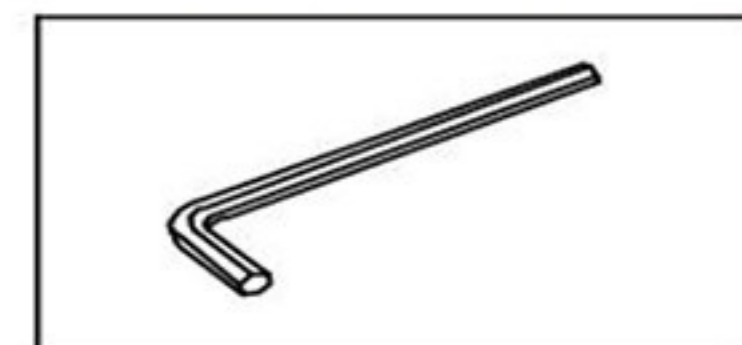


# Exposed Shower Set Installation

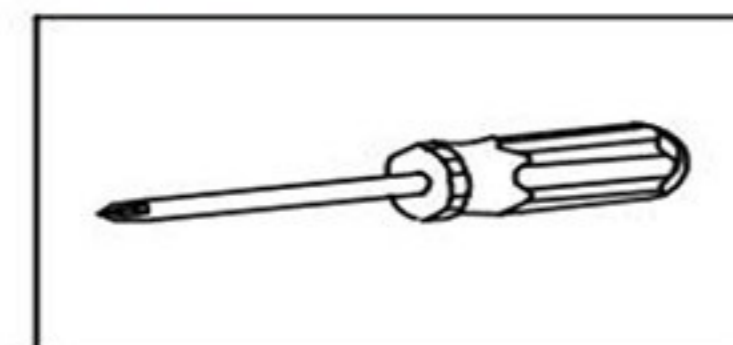
## INSTALLATION MANUAL Tools You Will Need:



Adjustable Wrench



Hexagon wrench



Philips Screwdriver

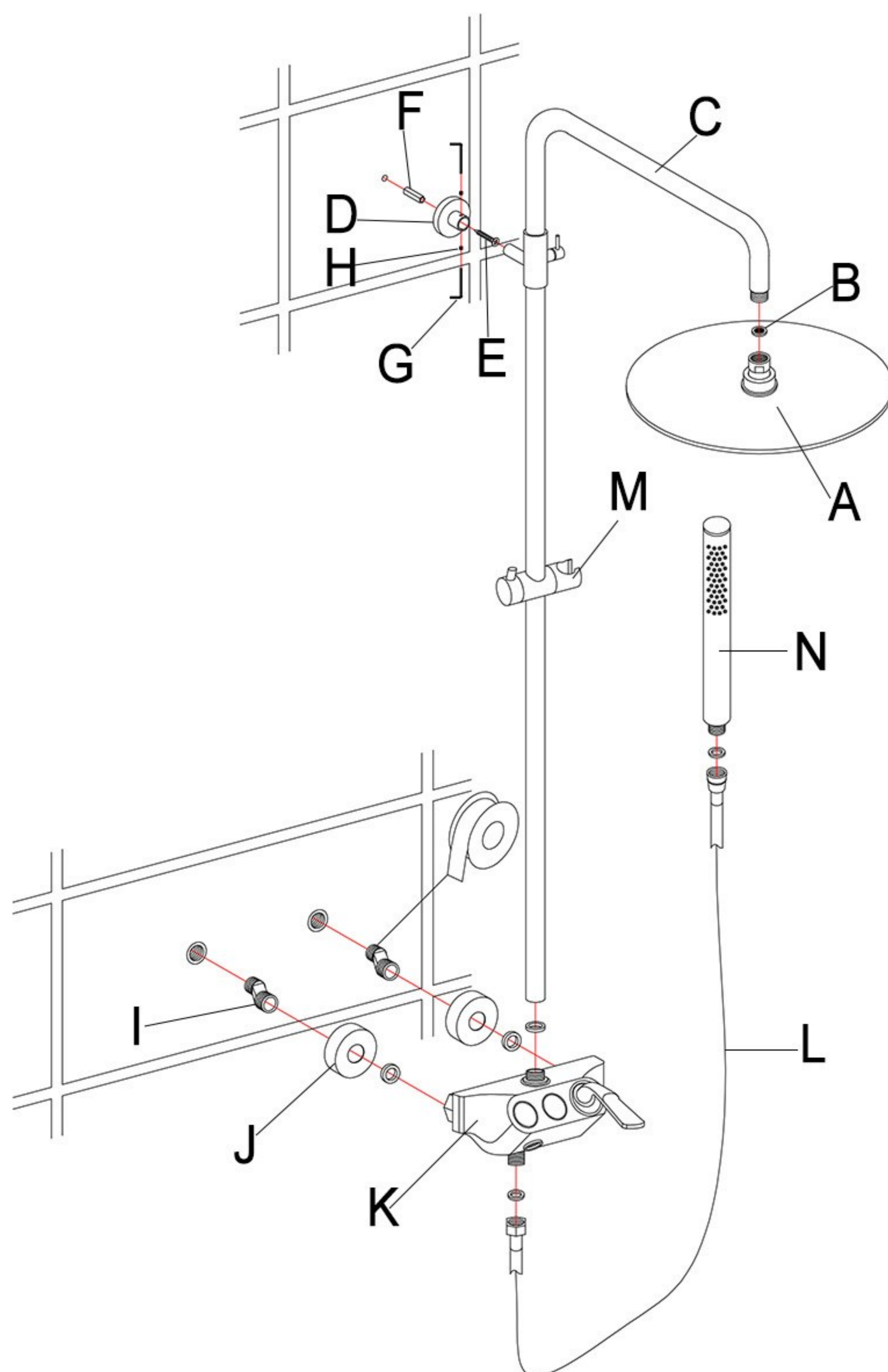
### Before the Installation

1. Check the package and confirm all parts are included. If any part is missing or damaged, please contact us.
2. Do not disassemble the main body, as it has been installed & commissioned correctly & precisely before leaving the factory.
3. Shut off the main water supply prior to beginning installation.
4. Do flush the water supply lines to remove any dirt and debris before installation (**IMPORTANT**).
5. Make sure to connect the hot/cold inlet pipe correctly. If standing in front, connect hot water pipe to the left and cold water pipe to the right.
6. After the installation, check for leaks and make sure every joint is safely sealed.

### Cleaning and Maintenance

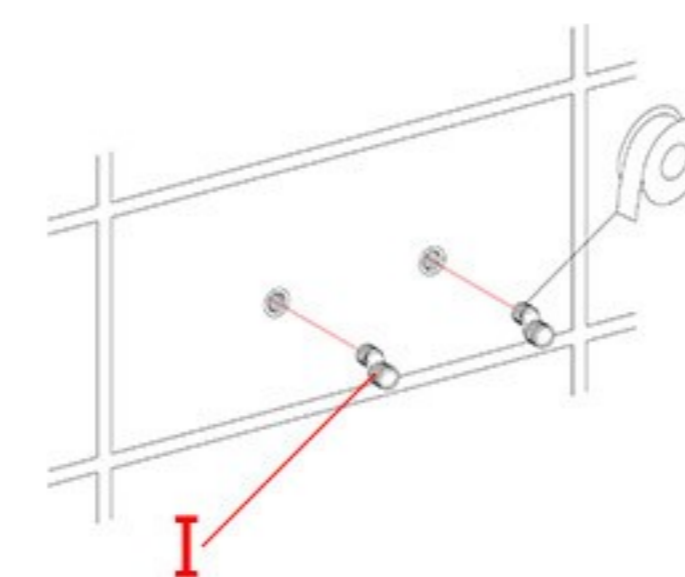
1. Rinse with clean water and dry with a soft cloth.
2. Do not use any detergent, acid, polisher, abrasives, or harsh cleaners.
3. Do not use cloth with a coarse surface.

### Parts List

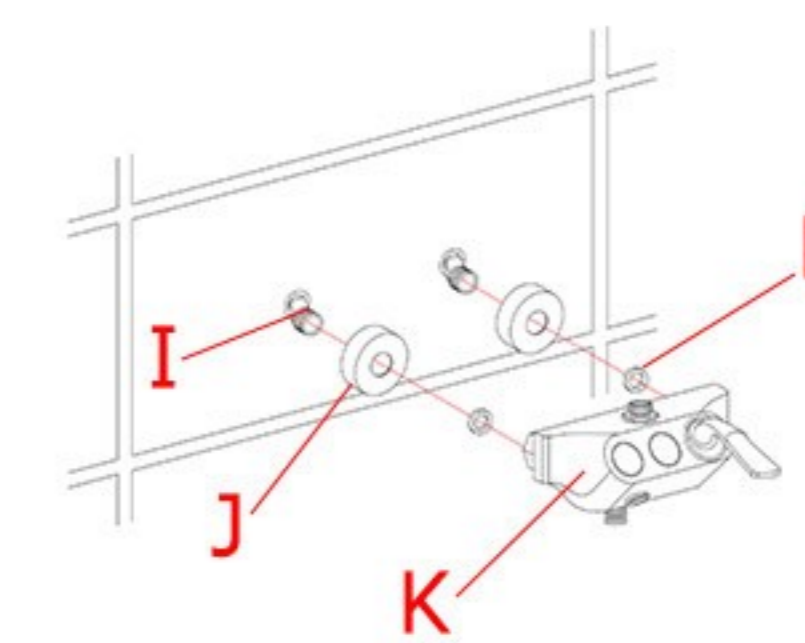


Part	Name	Quantity
A	shower head	1
B	rubber washer	6
C	shower arm	1
D	retaining bracket base	1
E	expansion screw	1
F	expansion bolt	1
G	Allen key	1
H	set screw	2
I	s-union	2
J	escutcheon	2
K	valve body	1
L	hose	1
M	hand shower holder	1
N	hand shower	1

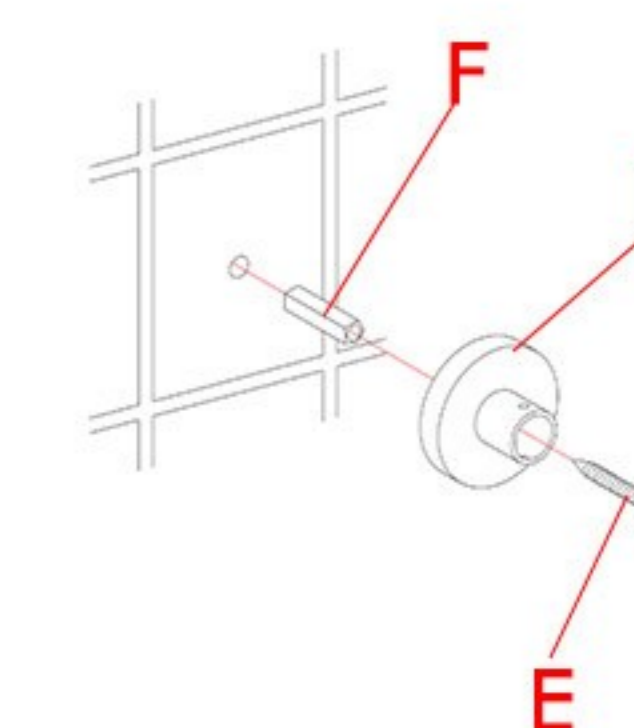
## Installation Guide



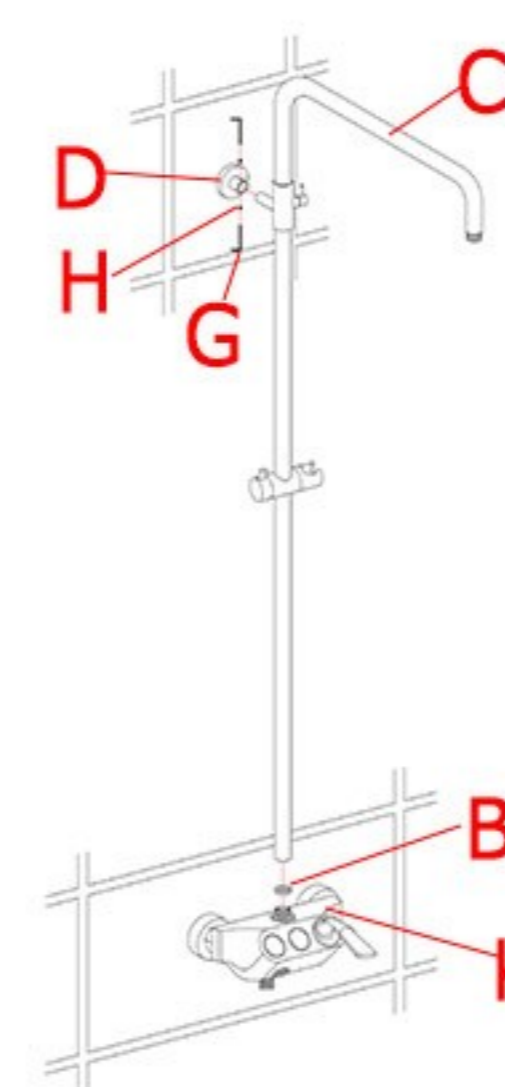
1. Shut the power off. Wrap the threads of the s-union (I) with Teflon tape (not included). Screw the s-unions into the female fittings of water supplies.



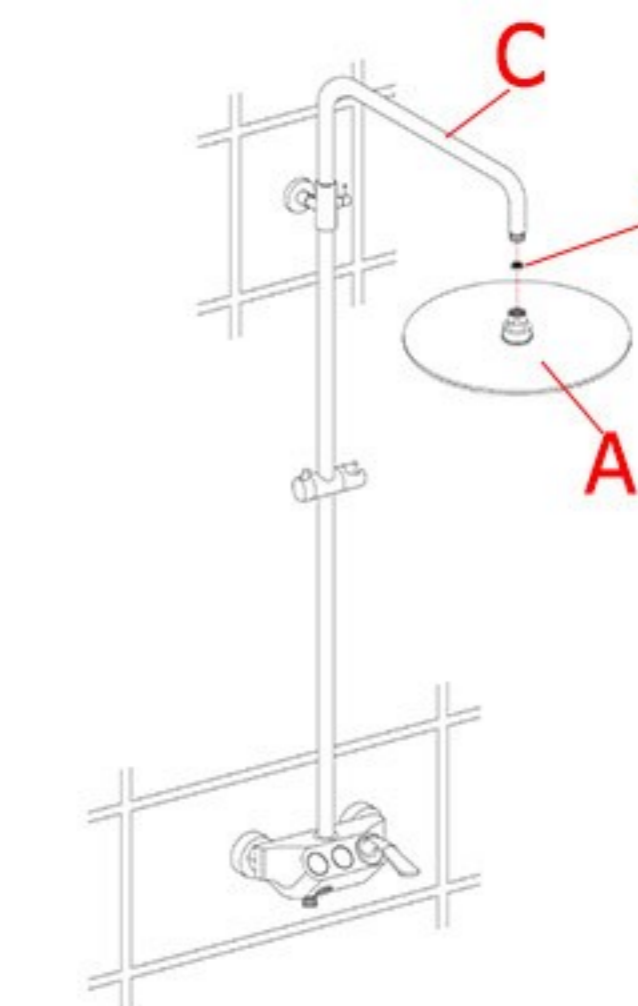
2. Push the escutcheons (J) onto the s-union (I) against the wall. Fit the rubber washer (B) into the inlets of the valve body (K). Install the valve body on the s-unions (I).



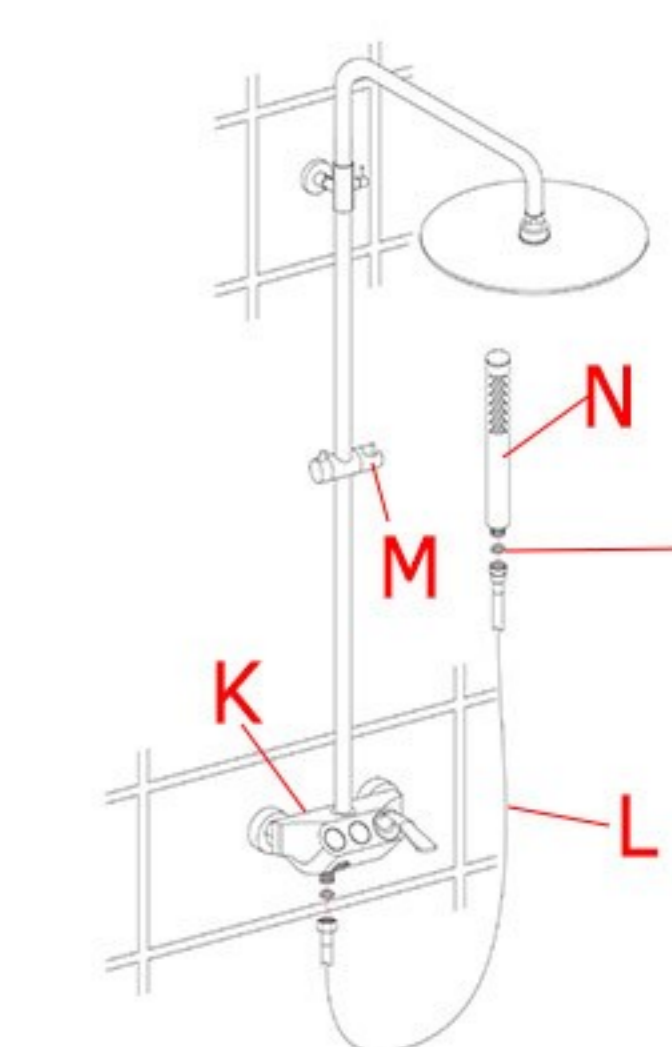
3. Put the retaining bracket base (D) on the wall to mark holes to drill. Suit the expansion bolt (F) into the holes and fix the retaining bracket base with expansion screw (E) into the bolts.



4. Insert a rubber washer (B) in the valve body (K) and screw up the shower arm (C) to the valve as shown. Secure back the set screws (H) to fix the retaining bracket base (D) and shower arm together with the Allen key (G).



5. Insert a rubber washer (B) in the shower head (A) and install it to the shower arm (C).



6. Add the rubber washers (B) to the both ends of the hose (L) and connect the hose to the valve body (K) and the hand shower (N) and put the hand shower on the hand shower holder (M). Turn on the water to test.

## Troubleshooting

Problem	Possible Cause	Corrective Action
Water does not shut off completely.	1. O-ring is not seated correctly or worn. 2. Cartridge may be defective.	1. Reseat or replace O-ring. 2. Replace cartridge.
Leaks at waterline connection.	1. Worn or broken washer. 2. Faucet body may be defective.	1. Replace washer. 2. Replace faucet (contact us for the replacement).
Leaks from handle.	1. Cartridge may come loose. 2. Cartridge may be defective.	1. Reseat cartridge tight. 2. Replace cartridge.
Leaks at hose connection.	1. Hose connection is loose.	1. Tighten hose. 2. Replace hose.
Leaks at shower valve connection.	1. Connection may come loose or not sealed completely. 2. Defective shower valve inlet or outlet connector.	1. Check connections. 2. Replace valve body.
Diverter knob does not work.	1. Diverter cartridge may be defective.	1. Replace cartridge.
LED light does not Light or noisy LED showerhead.	1. Defective LED generator.	1. Replace LED spray head (for kitchen faucet). 2. Replace LED threaded pipe (for separate faucet spout). 3. Replace LED generator (for others).
Low flow.	1. Check for water pressure problems. 2. Aerator may be dirty or clogged.	1. Clean or replace the aerator. 2. Remove waterflow restrictor if available. 3. Install booster or pump (if applicable).