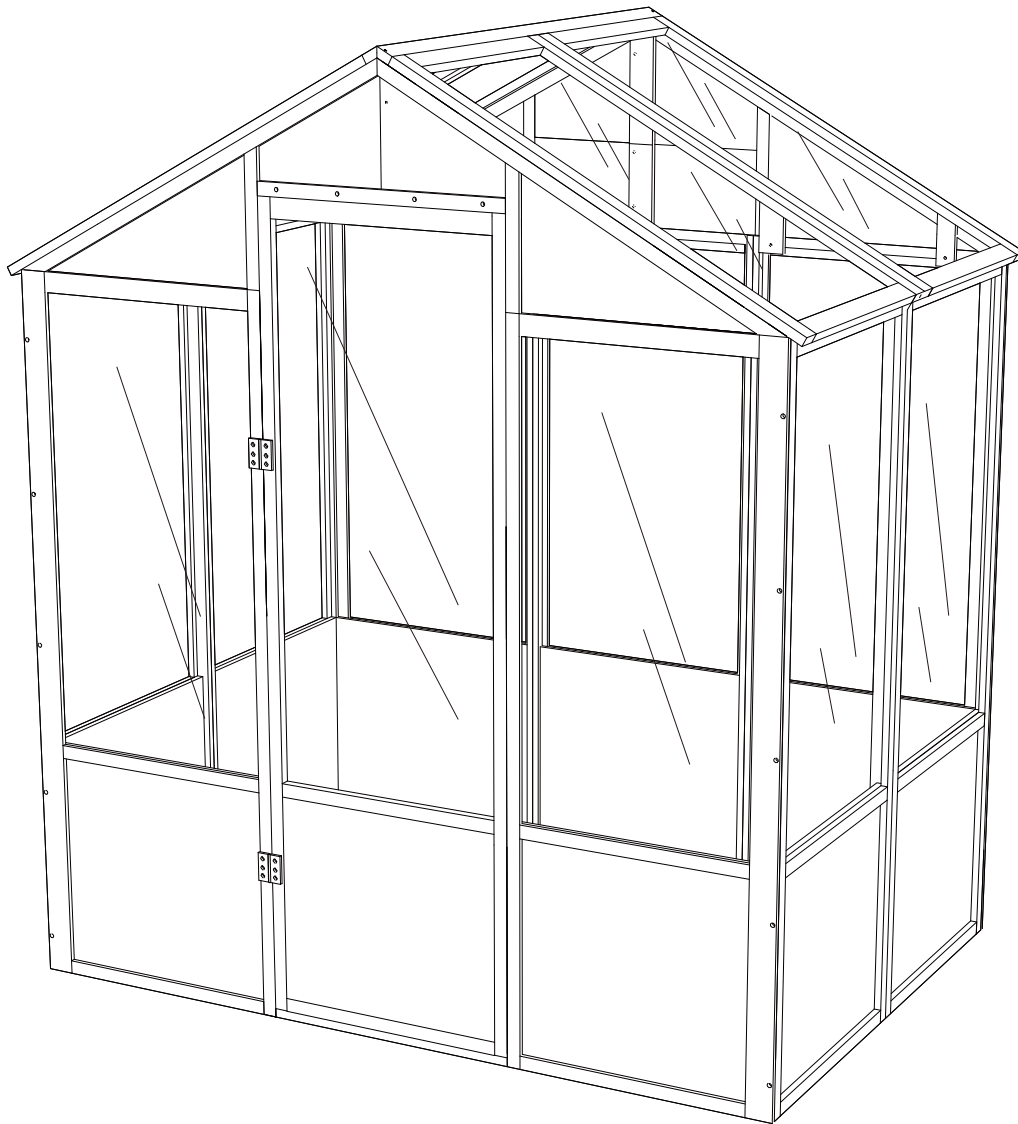




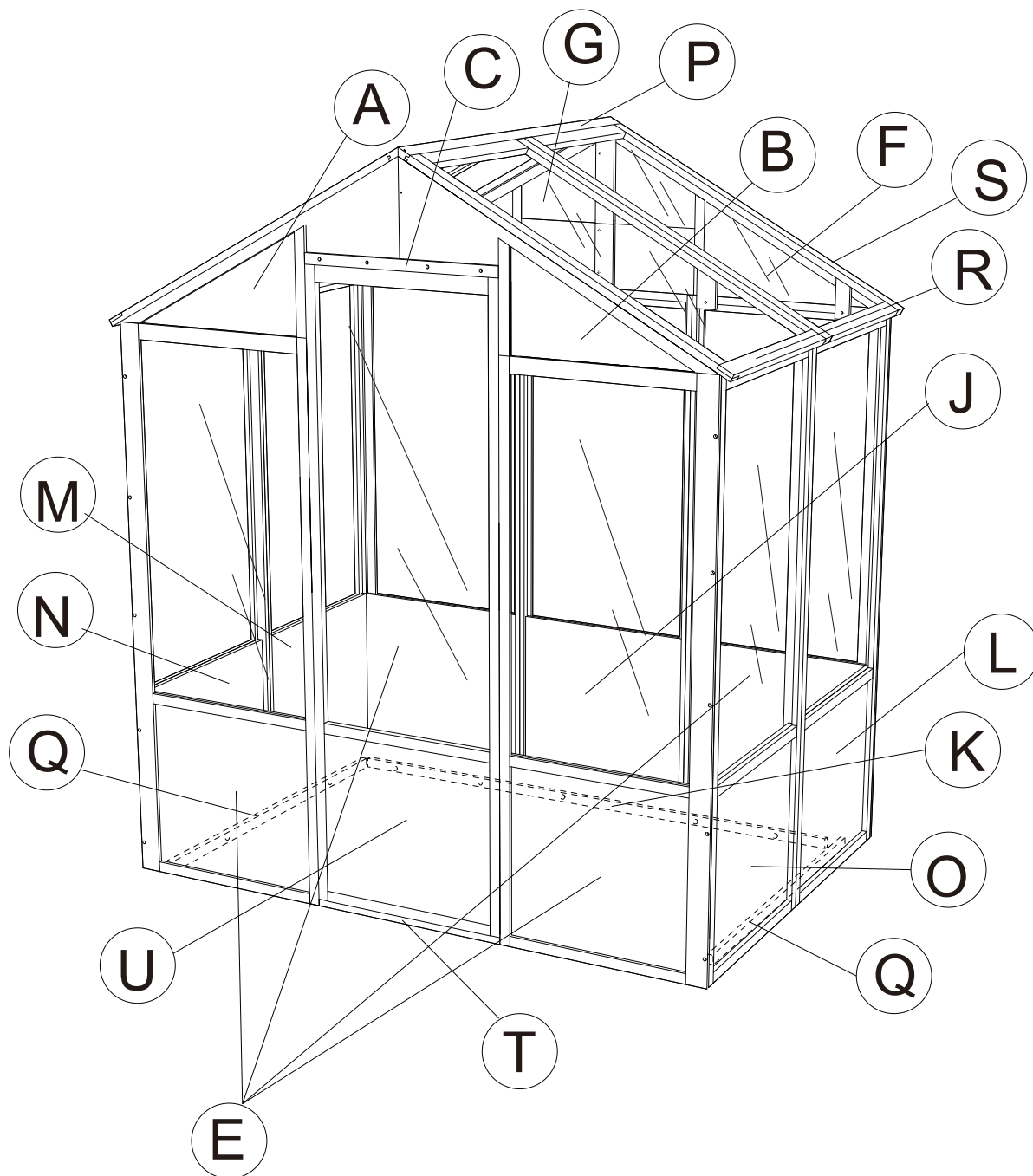
INbxb015\_GL

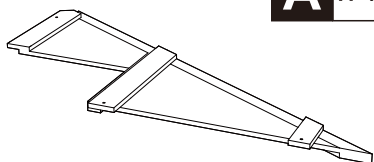
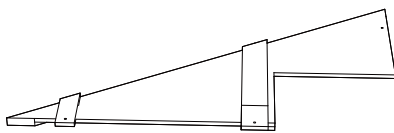
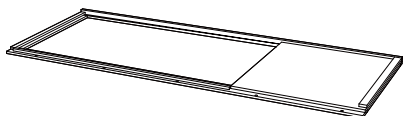
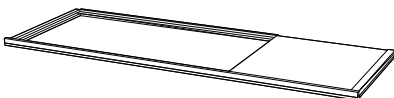
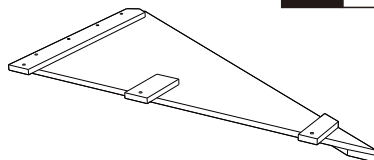
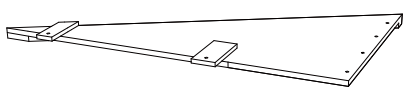
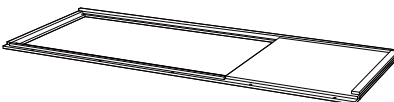
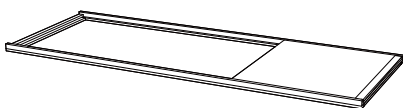
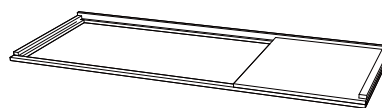
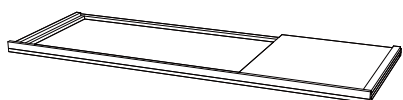
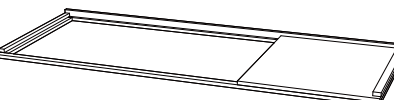
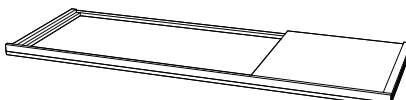
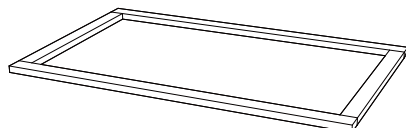
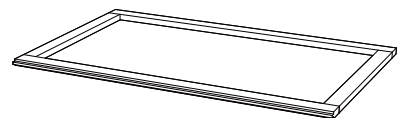
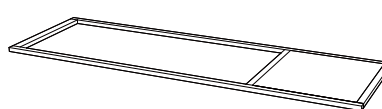
845-747

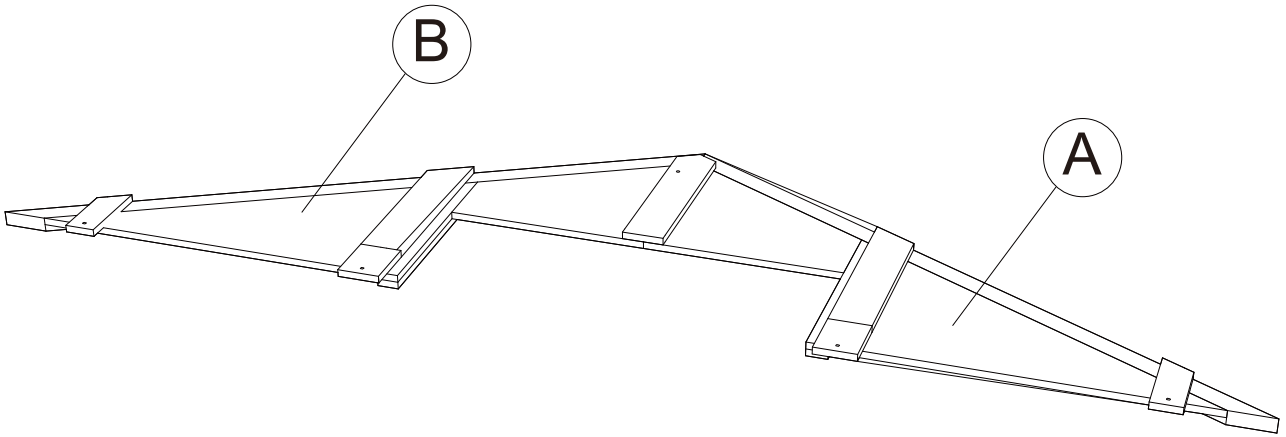


IMPORTANT, RETAIN FOR FUTURE REFERENCE: READ CAREFULLY

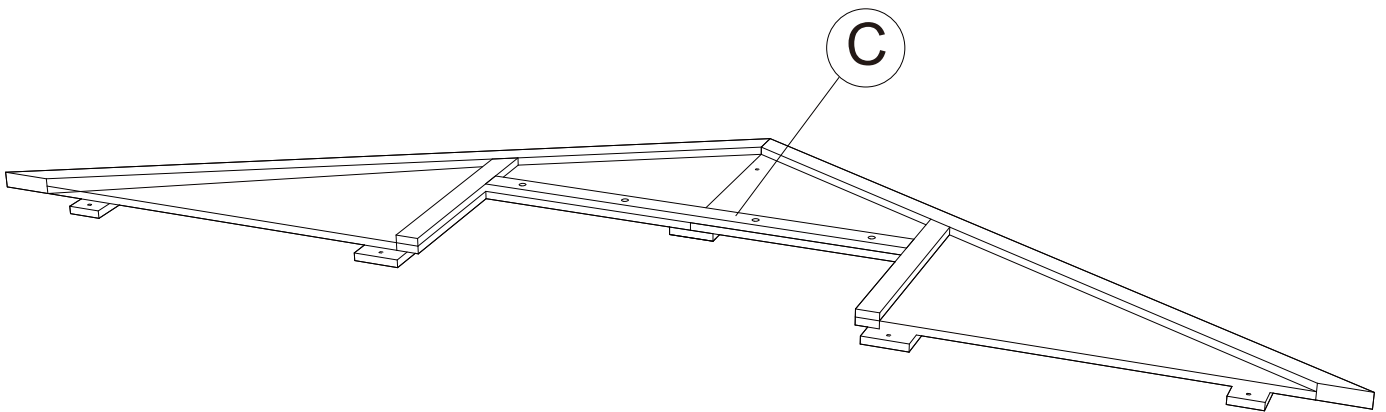
# ASSEMBLY & INSTRUCTION MANUAL

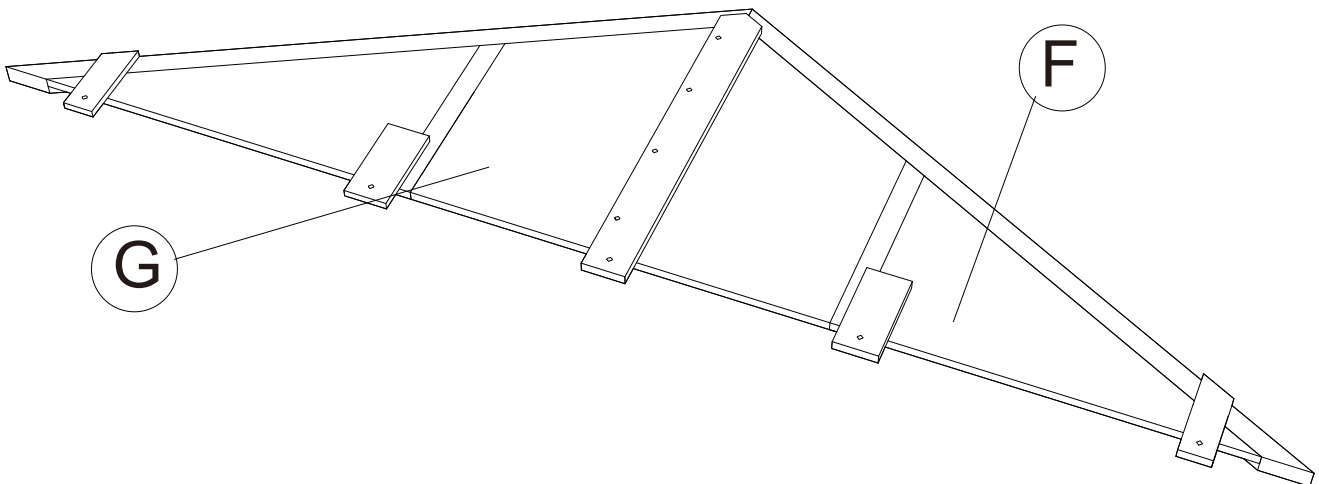
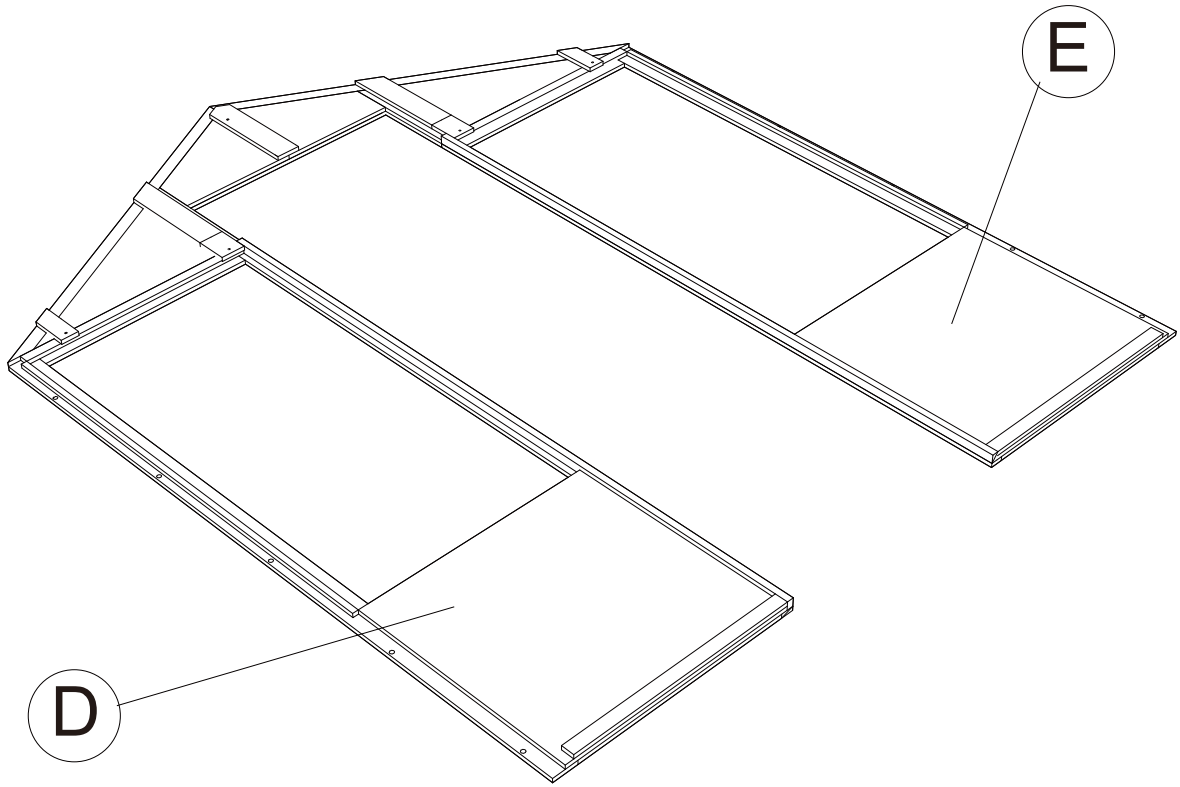


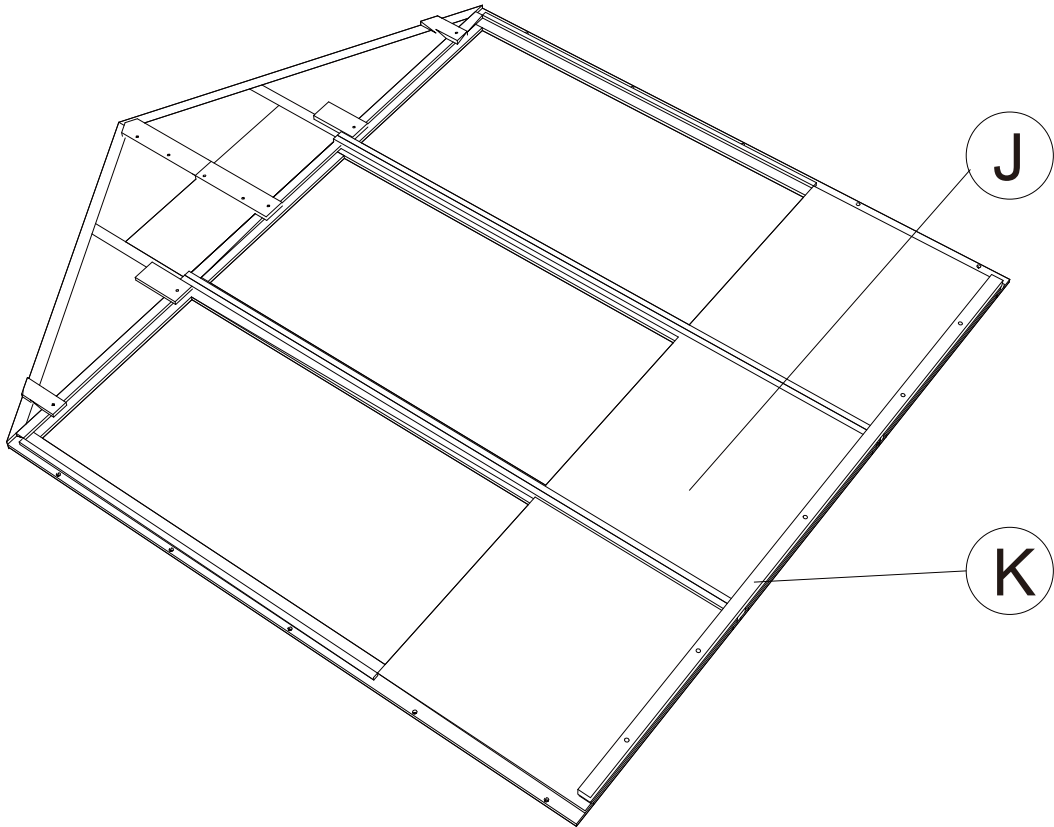
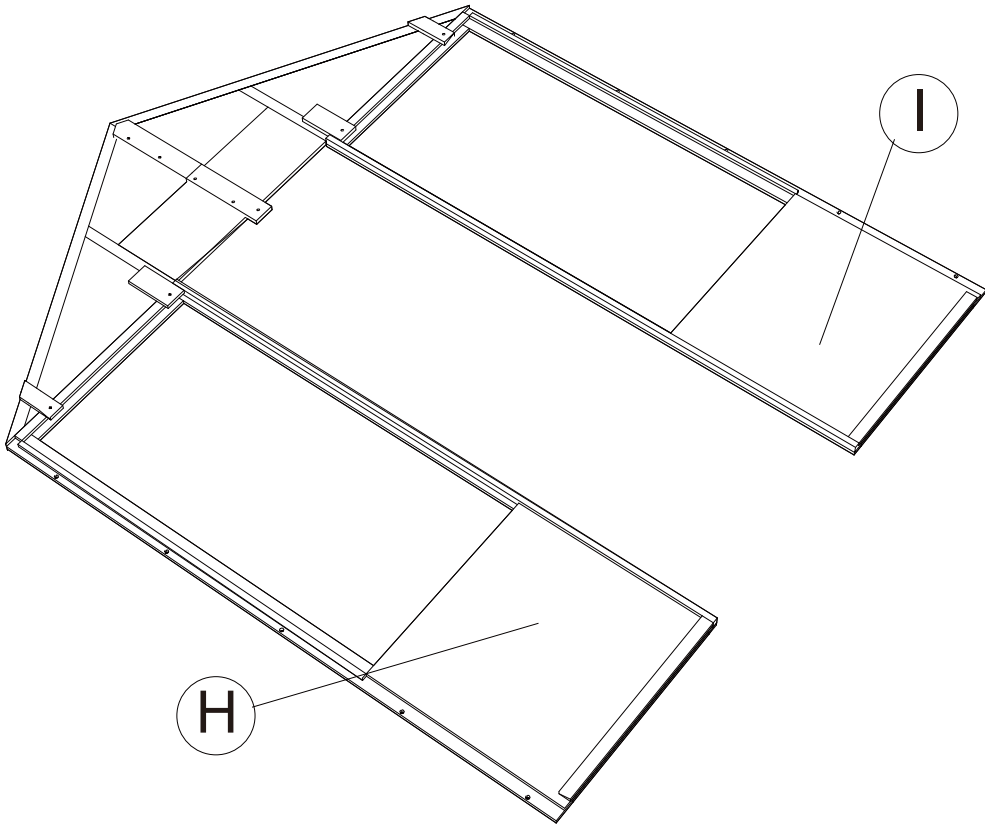
**A** x 1**B** x 1**C** x 1**D** x 1**E** x 4**F** x 1**G** x 1**H** x 1**I** x 1**J** x 1**K** x 1**L** x 1**M** x 1**N** x 1**O** x 1**P** x 1**Q** x 2**R** x 2**S** x 2**T** x 1**U** x 1

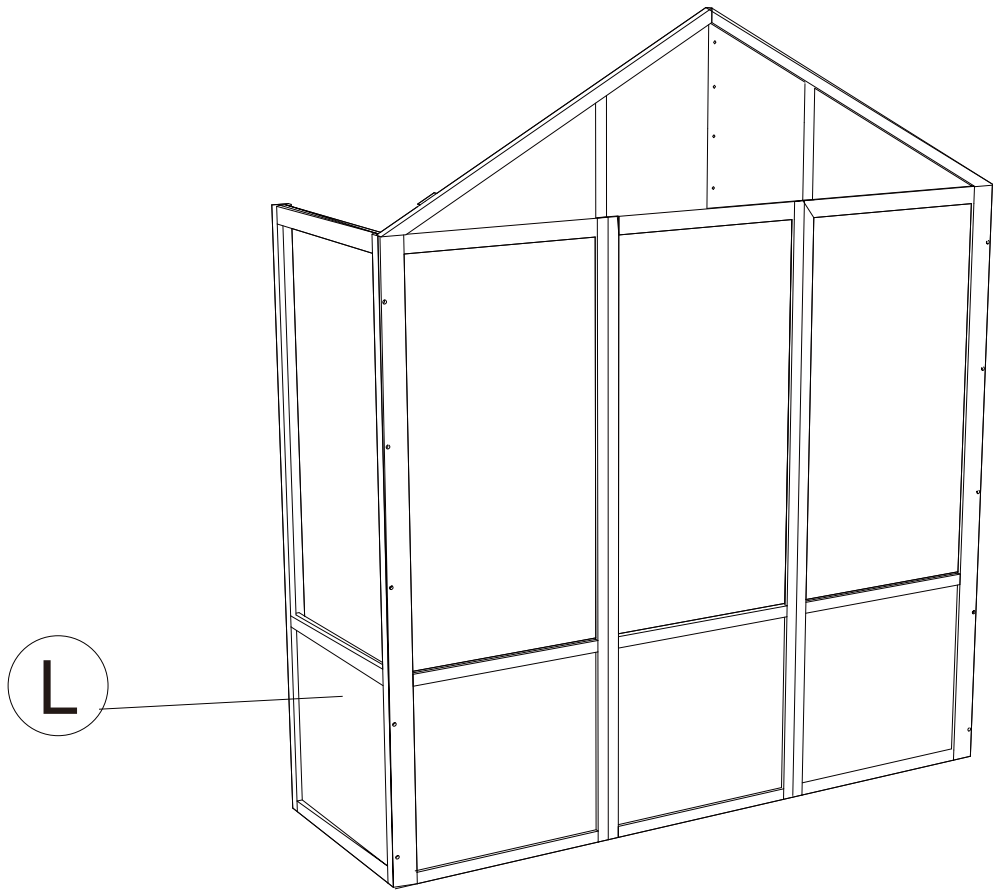


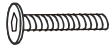
① M6\*40 mm\*2 Pieces 

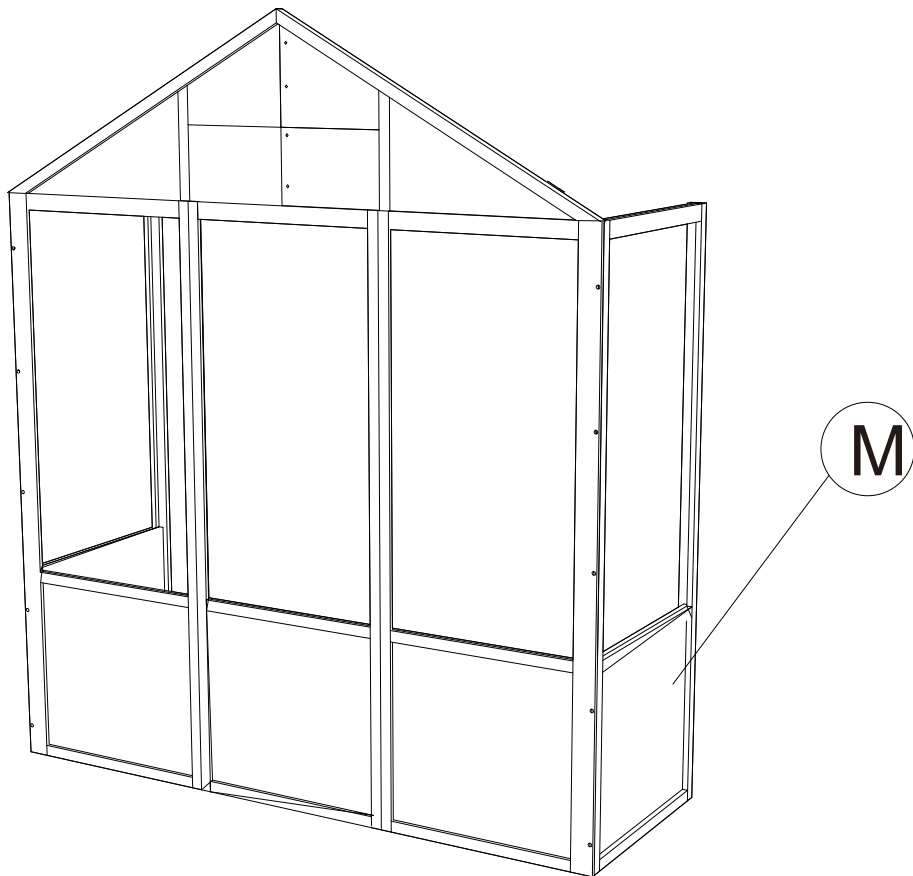




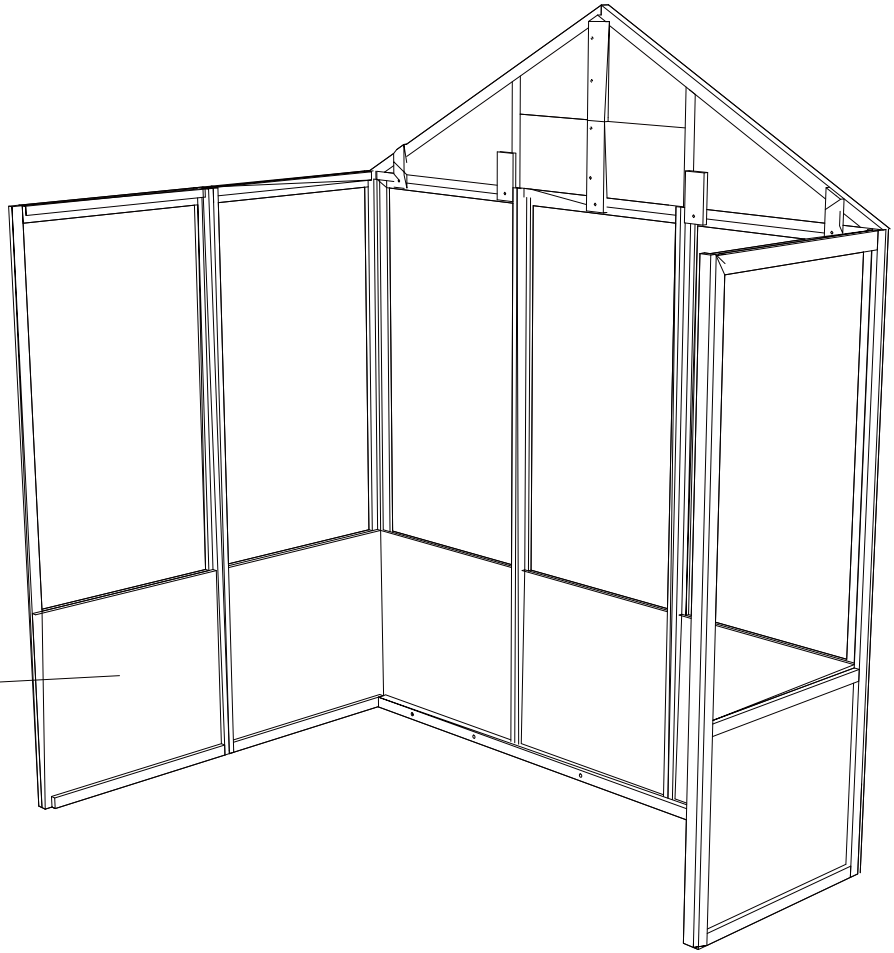




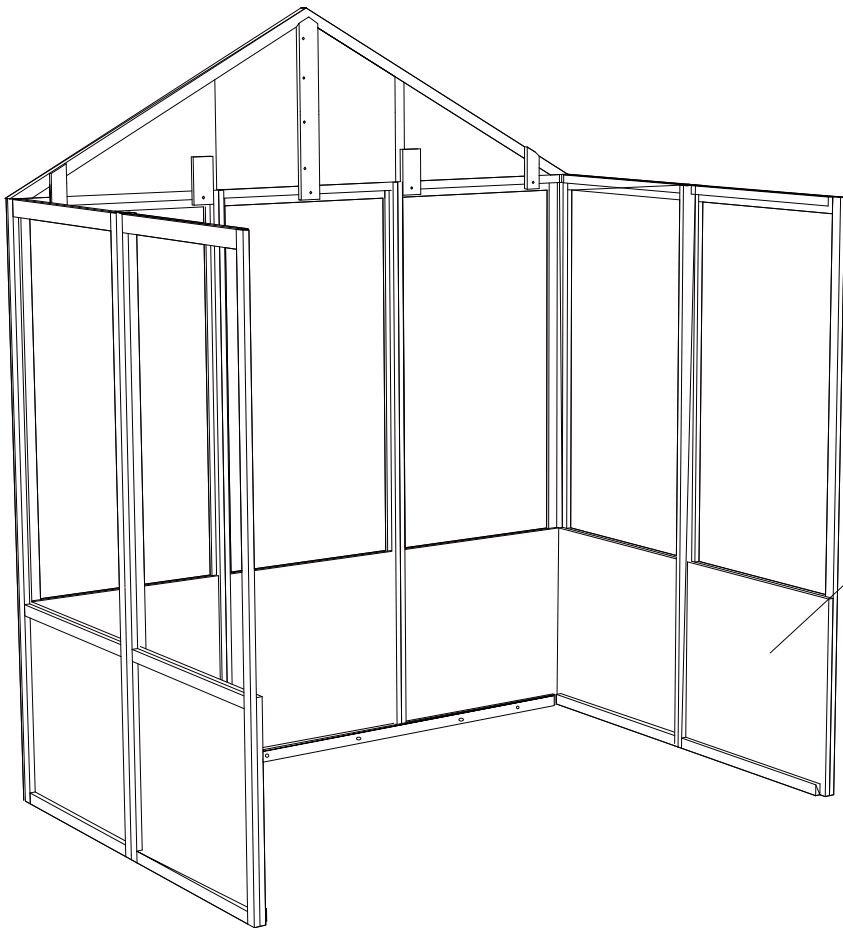
① M6\*40 mm\*2 Pieces 



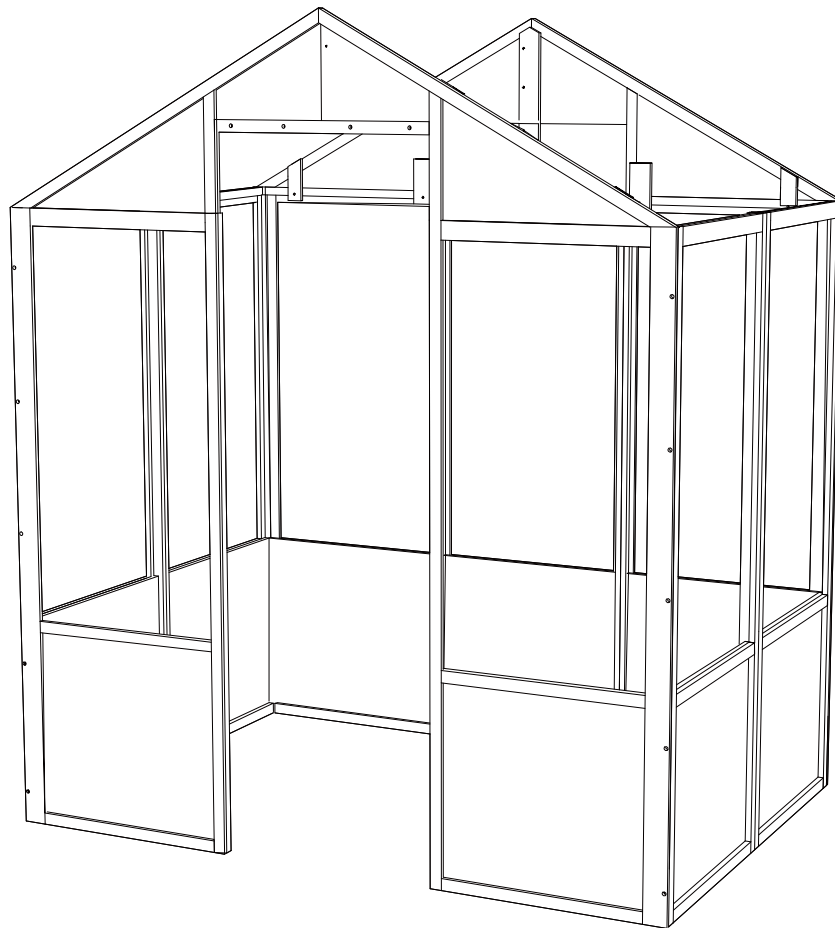
N



O







① M6\*40 mm\*2 Pieces 