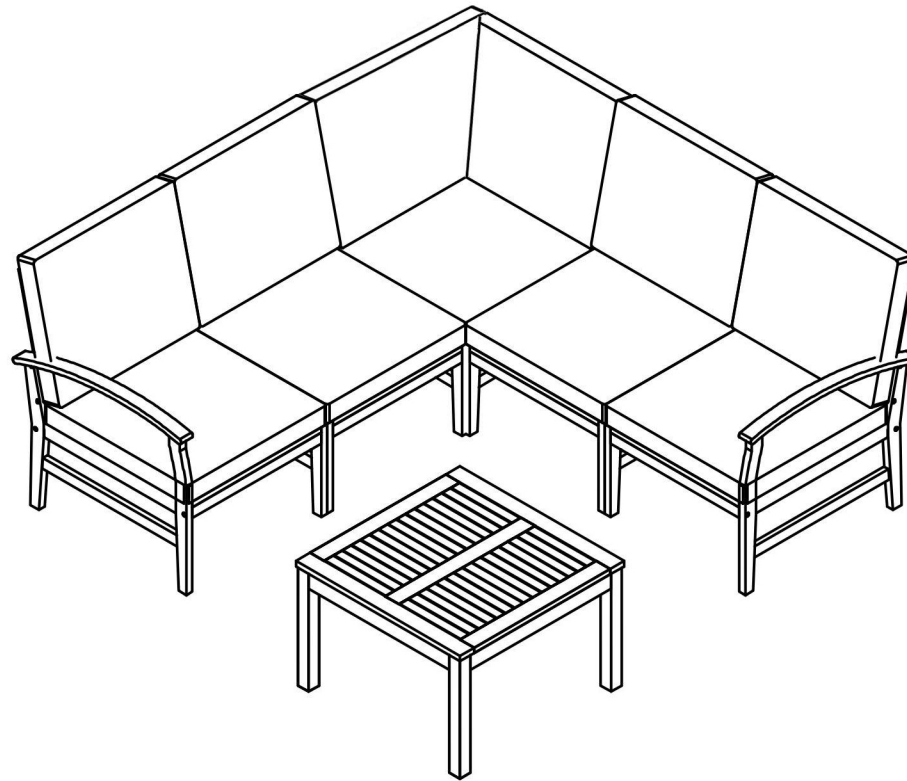




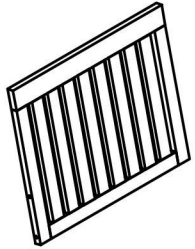
84B-448/84B-337

C000000

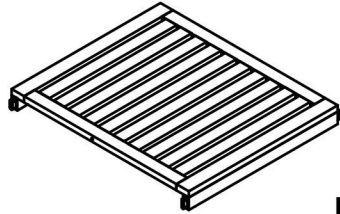


ASSEMBLY INSTRUCTION

# ASSEMBLY INSTRUCTION



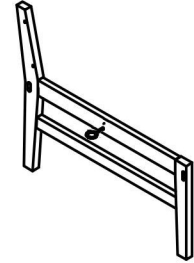
A=2



B=2



C=2



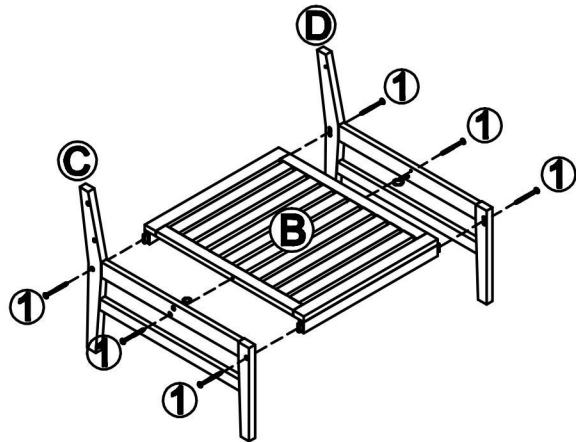
D=2

①=20 pcs

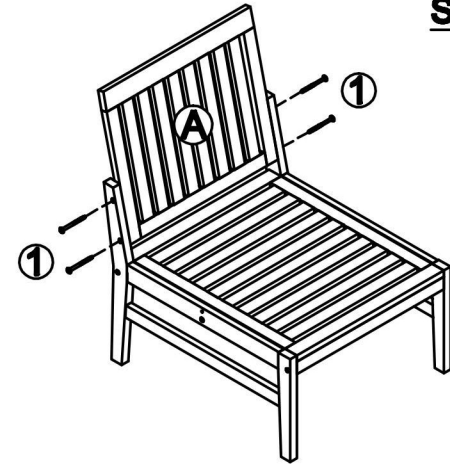


M 7x60

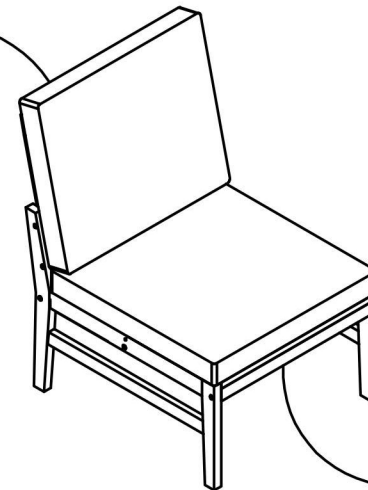
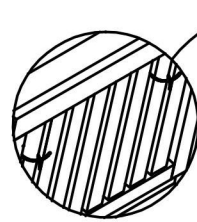
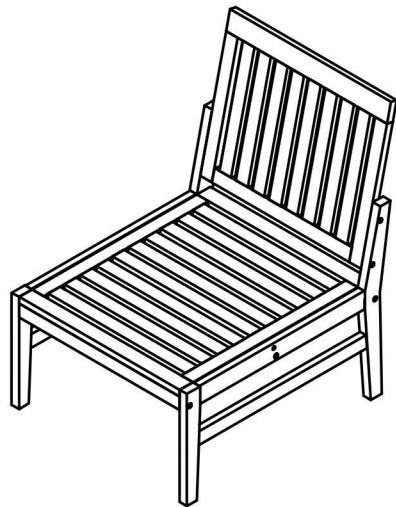
STEP 1



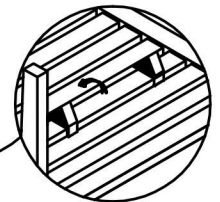
STEP 2



FINISH

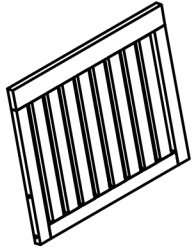


X2

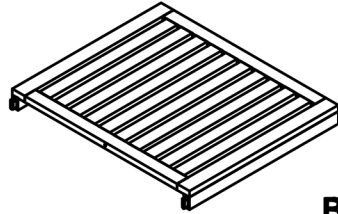


Allen key

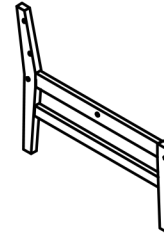
# ASSEMBLY INSTRUCTION



A1 = 1



B1 = 1



C1 = 1



D1 = 1

① = 10 pcs

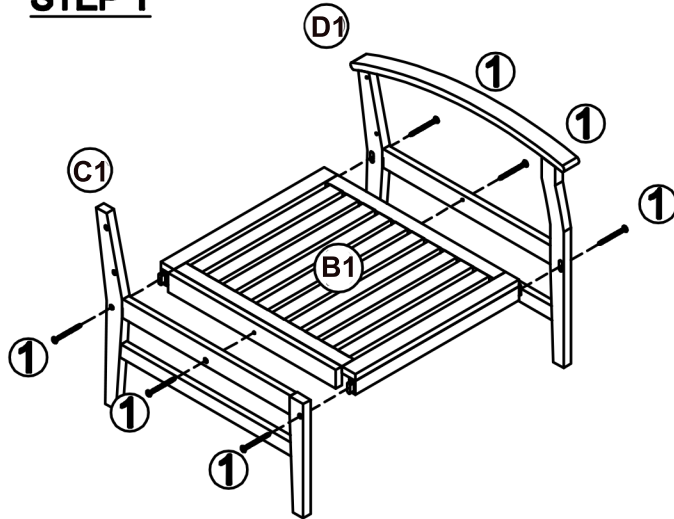


M 7x60

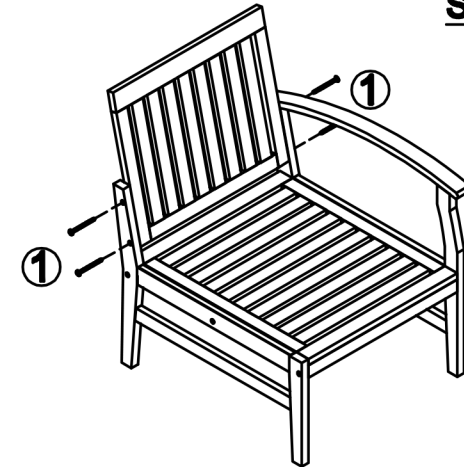


Allen key

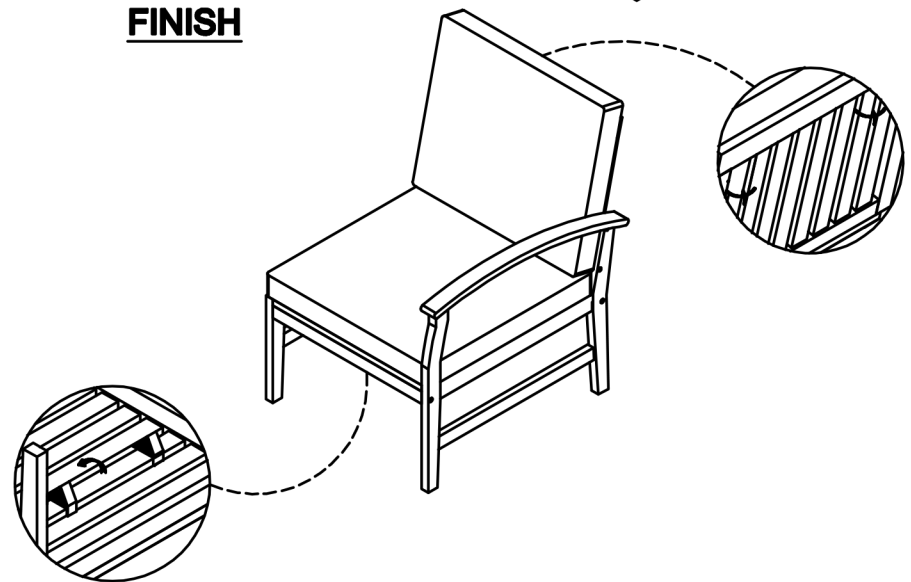
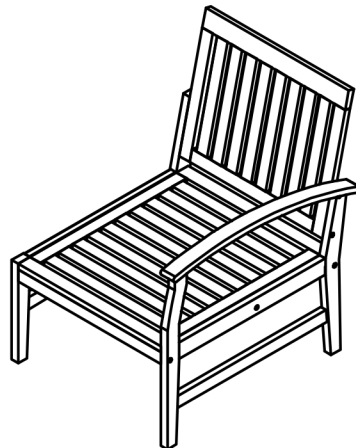
## STEP 1



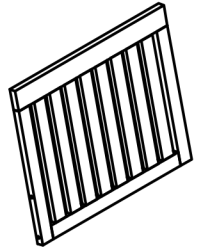
## STEP 2



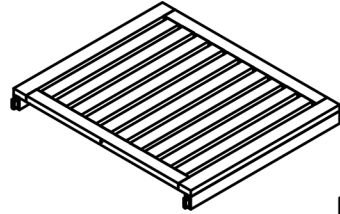
## FINISH



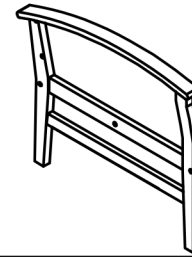
# ASSEMBLY INSTRUCTION



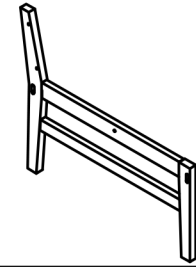
A2=1



B2=1



C2=1



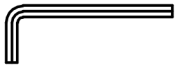
D2=1

① = 10 pcs



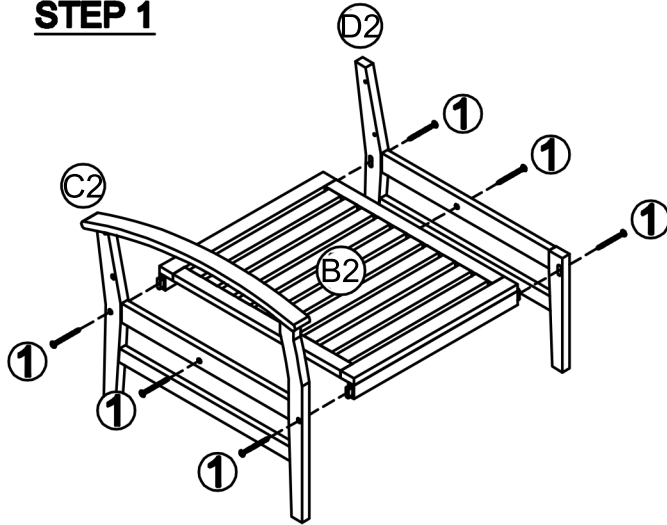
M 7x60

⑦

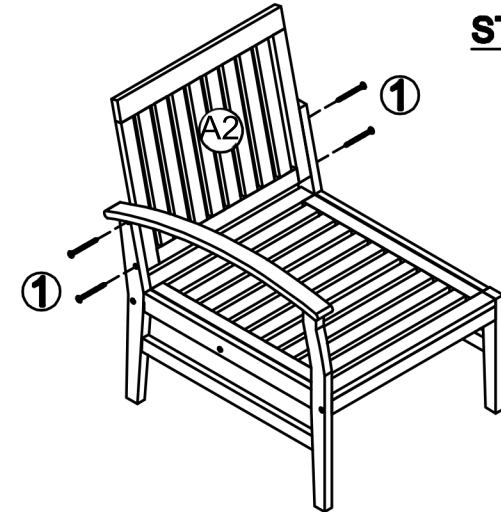


Allen key

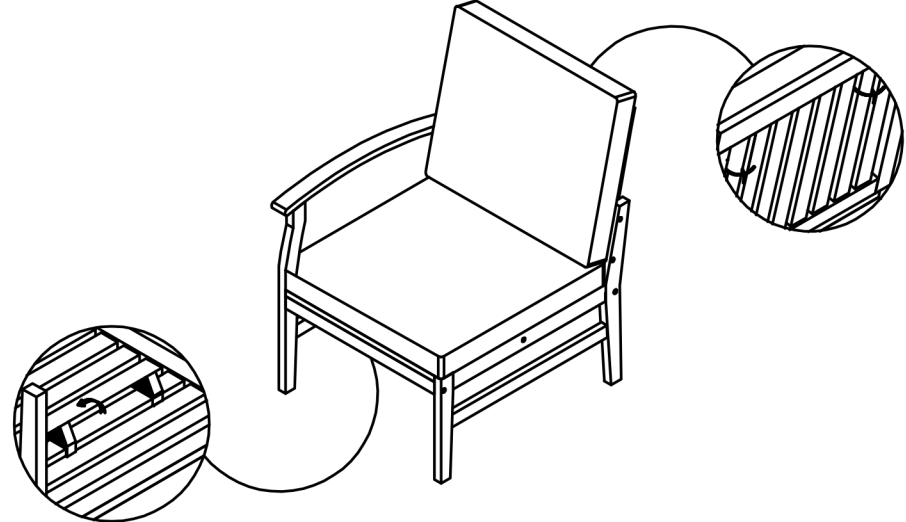
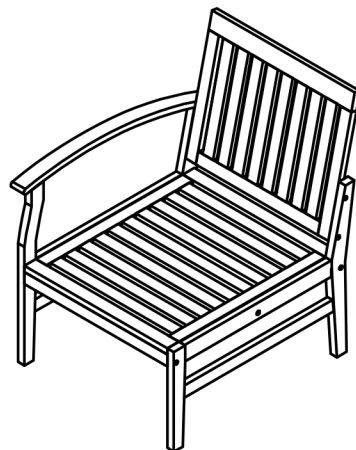
## STEP 1



## STEP 2



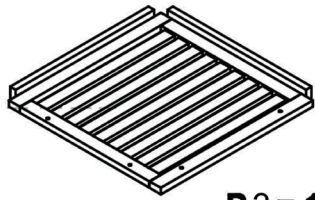
## FINISH



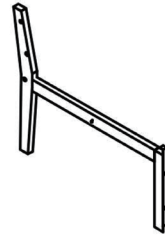
# ASSEMBLY INSTRUCTION



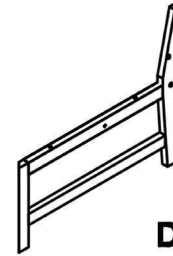
A3= 2



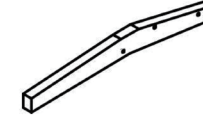
B3=1



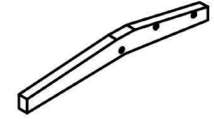
C3=1



D3=1



E=1



F=1

①= 12 pcs



M 7x60

②= 6 pcs



M 6x60

③= 2 pcs



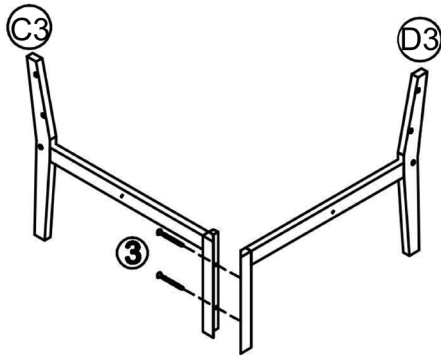
M 6x35

⑦

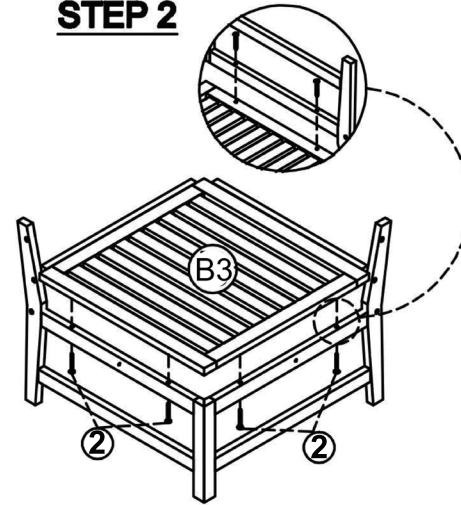


Allen key

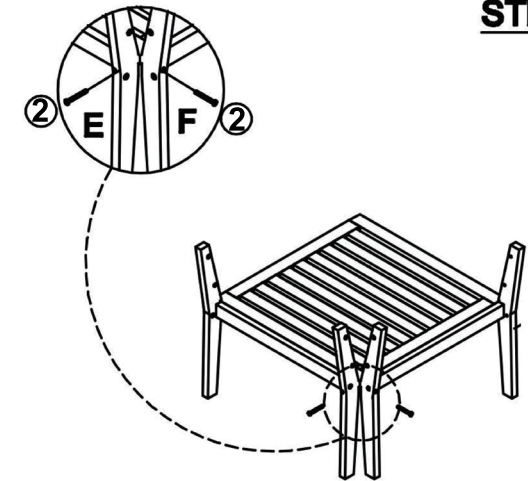
**STEP 1**



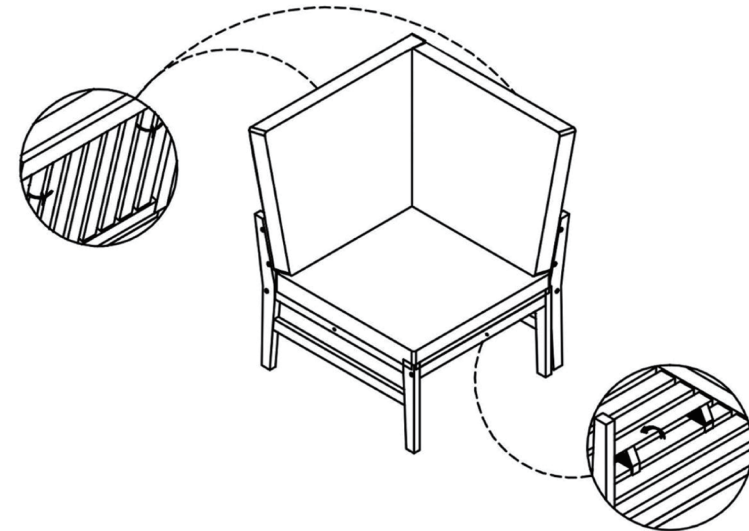
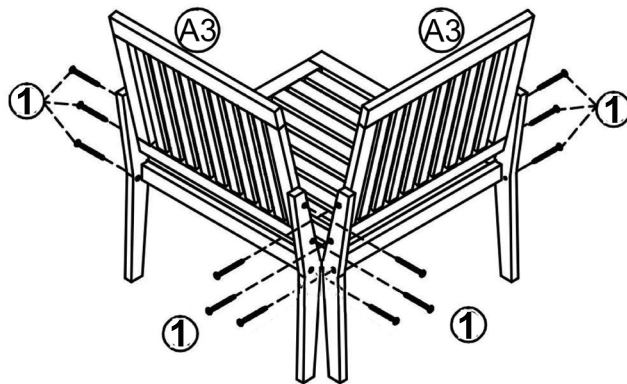
**STEP 2**



**STEP 3**

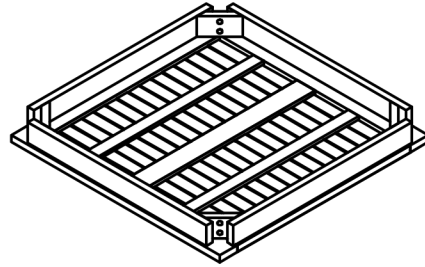


**STEP 4**

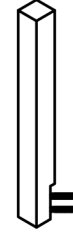


# ASSEMBLY INSTRUCTION

④ = 8 pcs



G = 1

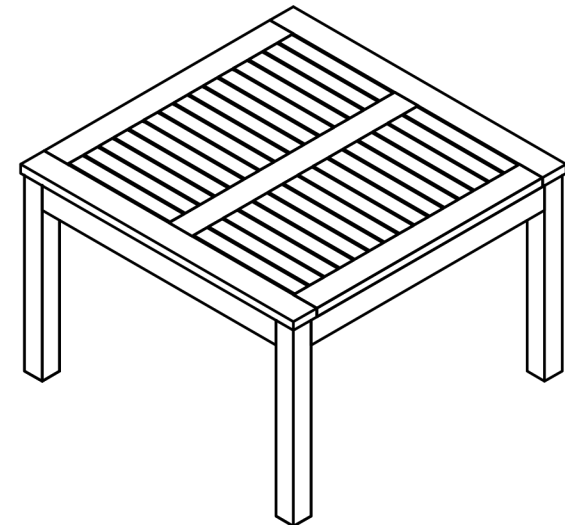
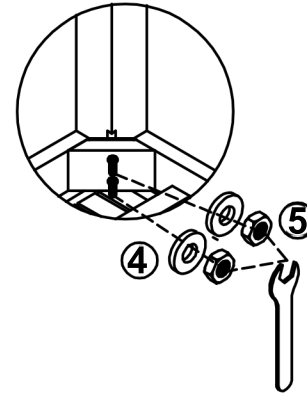
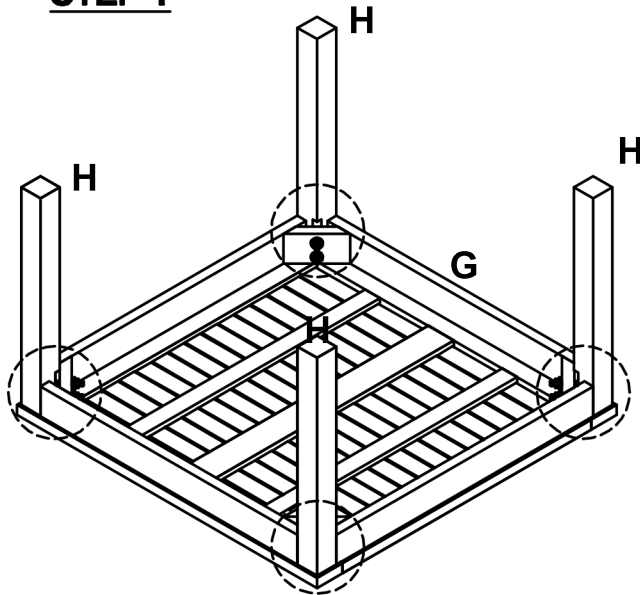


H = 4

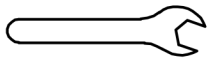
⑤ = 8 pcs



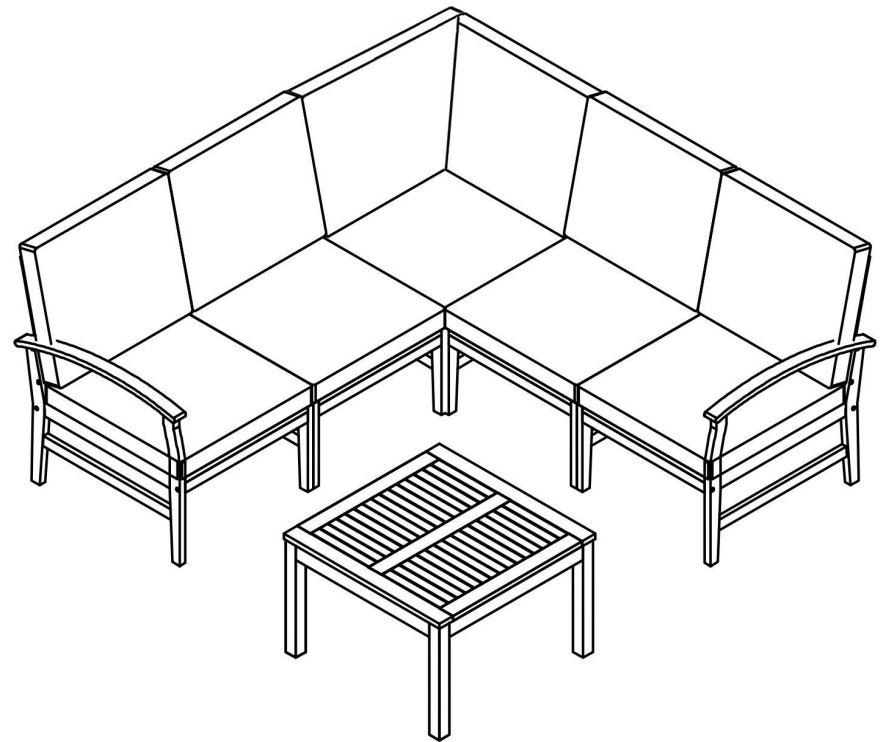
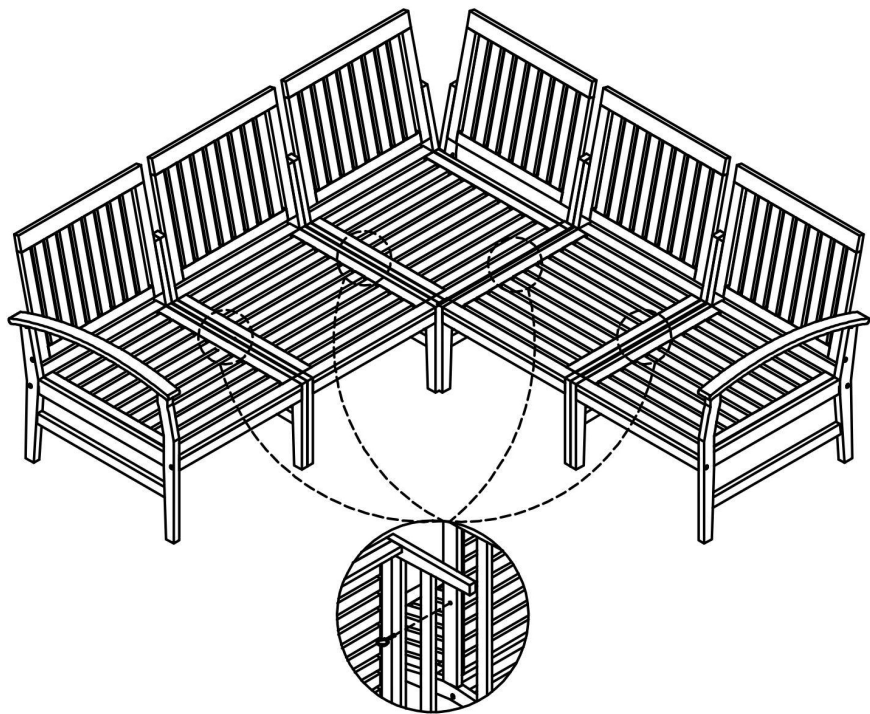
**STEP 1**



**FINISH**


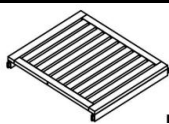




Allen key

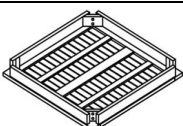



# PACKING DETAILS: TOTAL 4 CARTONS



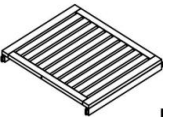
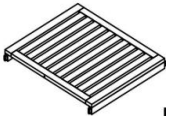




## CARTON 1/4:

PART NO.	PARTS	QTY
A		2
B		2
C		2
D		2




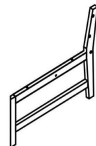
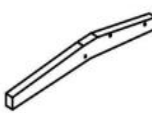

## CARTON 3/4:

PART NO.	PARTS	QTY
G		1
H		4
	Hardware package	1

## Carton 2/4:

PART NO.	PARTS	QTY
A1		1
A2		1
B1		1
B2		1
C1		1
C2		1
D1		1
D2		1

## Carton 4/4:

PART NO.	PARTS	QTY
A3		2
B3		1
C3		1
D3		1
E		1
F		1



001-877-644-9366  
customerservice@aosom.com



001-855-537-6088  
customerservice@aosom.ca