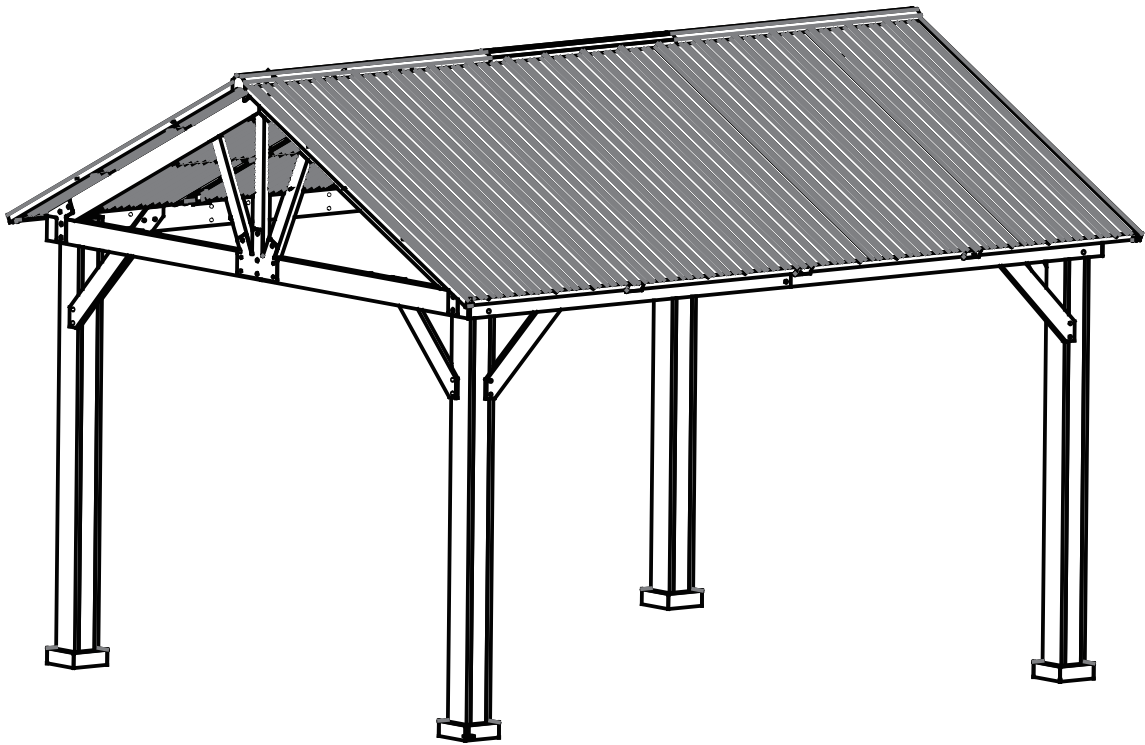




INbda003_US_CA

84C-241



READ AND SAVE THIS INSTRUCTIONS FOR FUTURE USE

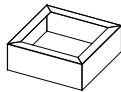

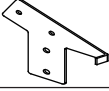

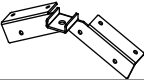

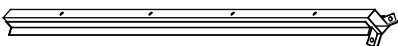
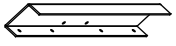
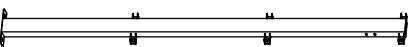



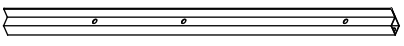
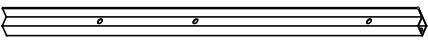

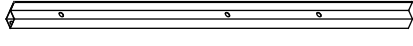
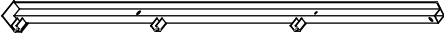
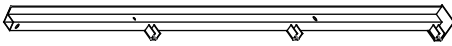
ASSEMBLY & INSTRUCTION MANUAL

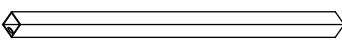
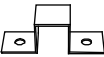




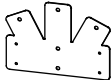


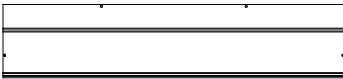
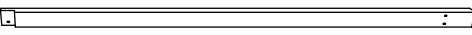
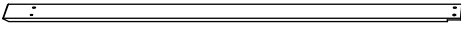

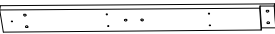
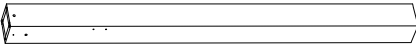

Warning:

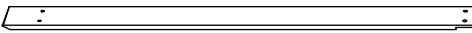
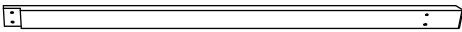


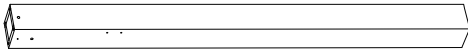




1. A 3 person assembly is required for this tent.
2. Please take appropriate actions as heavy rain, wind and snow can damage the tent. If necessary please dis-assemble and store for later use.
3. In snowy conditions please do not allow the thickness of the snow to be more than 5cm on the roof, this should be cleared as soon as possible for your safety.

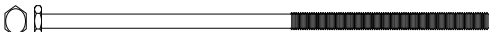
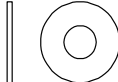
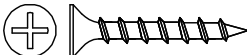
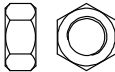
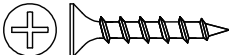
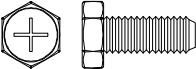
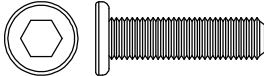
Attention:

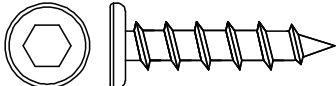
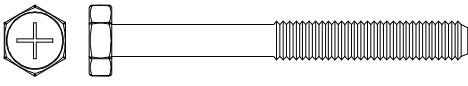
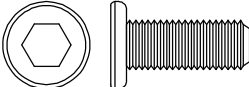

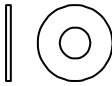
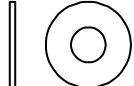

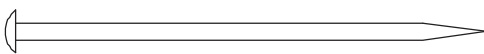
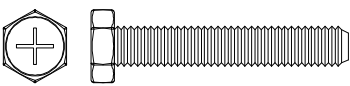

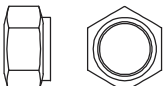
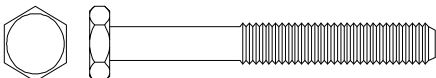
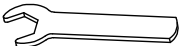

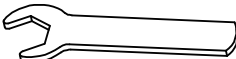
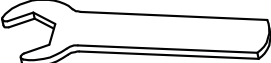
- 1.3 personnes minimum requis pour le montage de la tente.
2. Ne pas utiliser la tente en période de pluie, de vent et de neige qui peuvent endommager la tente. Nous ne serions pas responsable de la mauvaise utilisation du produit.
3. Pour votre sécurité, en période de neige, il est recommandé de ne pas laisser de neige de plus de 5cm sur le toit.

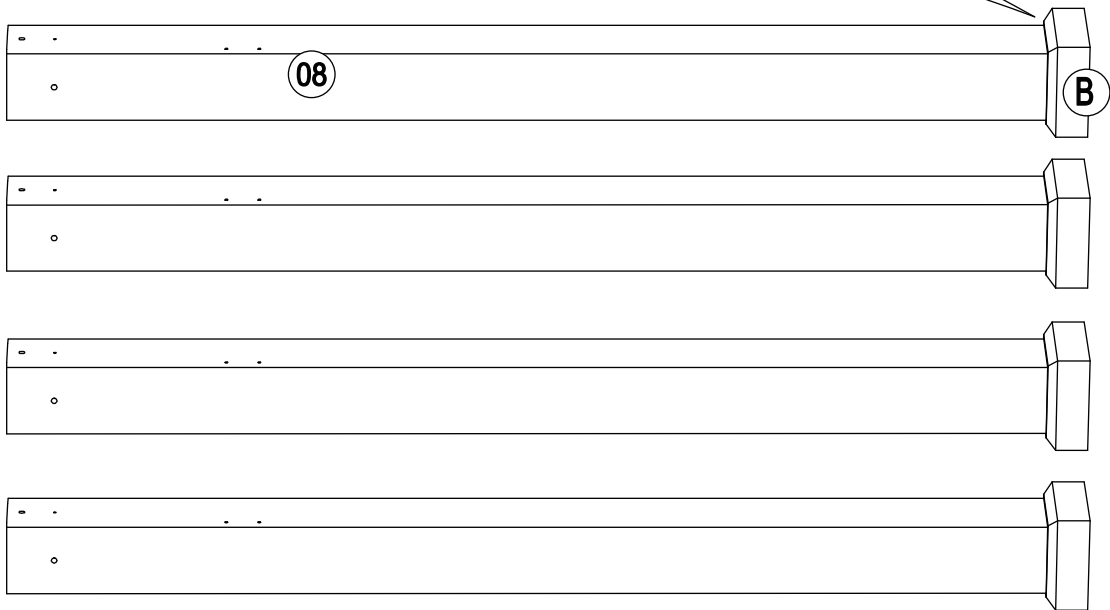
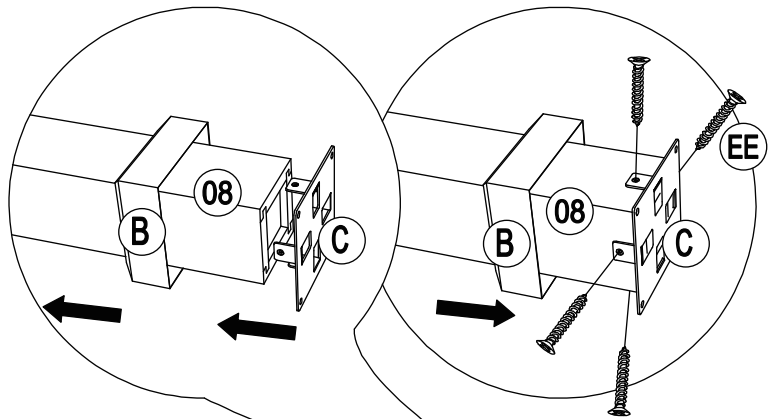
	Description	Sketch	QTY
B	Base Cover		4 pcs
C	Base		4 pcs
C1	Triangular Connector 1		2 pcs
C2	Triangular Connector 2		2 pcs
C4	Triangular Connector		2 pcs
F1	Big Roof Beam 1		1 pc
F2	Big Roof Beam 2		1 pc
G1	Roof Beam Connector 1		1 pc
H	Big Roof Middle Beam		6 pcs
I	Middle Beam Lower Connector		6 pcs
J1	Support Tube 1		3 pcs
P	Hook		1 pcs
L1	Big Roof Lower Tube 1		2 pcs
L2	Big Roof Lower Tube 2		2 pcs
L3	Big Roof Lower Tube 3		2 pcs
L4	Big Roof Lower Tube 4		2 pcs
M1	Big Roof Side Tube 1		2 pcs
M2	Big Roof Side Tube 2		2 pcs

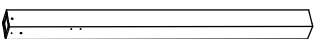

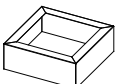

	Description	Sketch	QTY
N	Big Roof Small Beam		16 pcs
O	Small Beam Presser		8 pcs
Q	Press Panel		6 pcs
R1	Big Roof Cover 1		2 pcs
R2	Big Roof Cover 2		1 pc
S	Steel Pin		12 pcs
T	Catch		2 pcs
U	Roof Side Cover		4 pcs
P1	Big Roof Cover		10 pcs
P2	Small Roof Cover		4 pcs
01	Outer Long Right Beam (Long)		2 pcs
02	Outer Long Left Beam (Long)		2 pcs
05	Inner Middle Beam		2 pcs
07	Inner Short Beam (Long)		4 pcs
08	Post		2 pcs
13	Triangular Support Beam		4 pcs

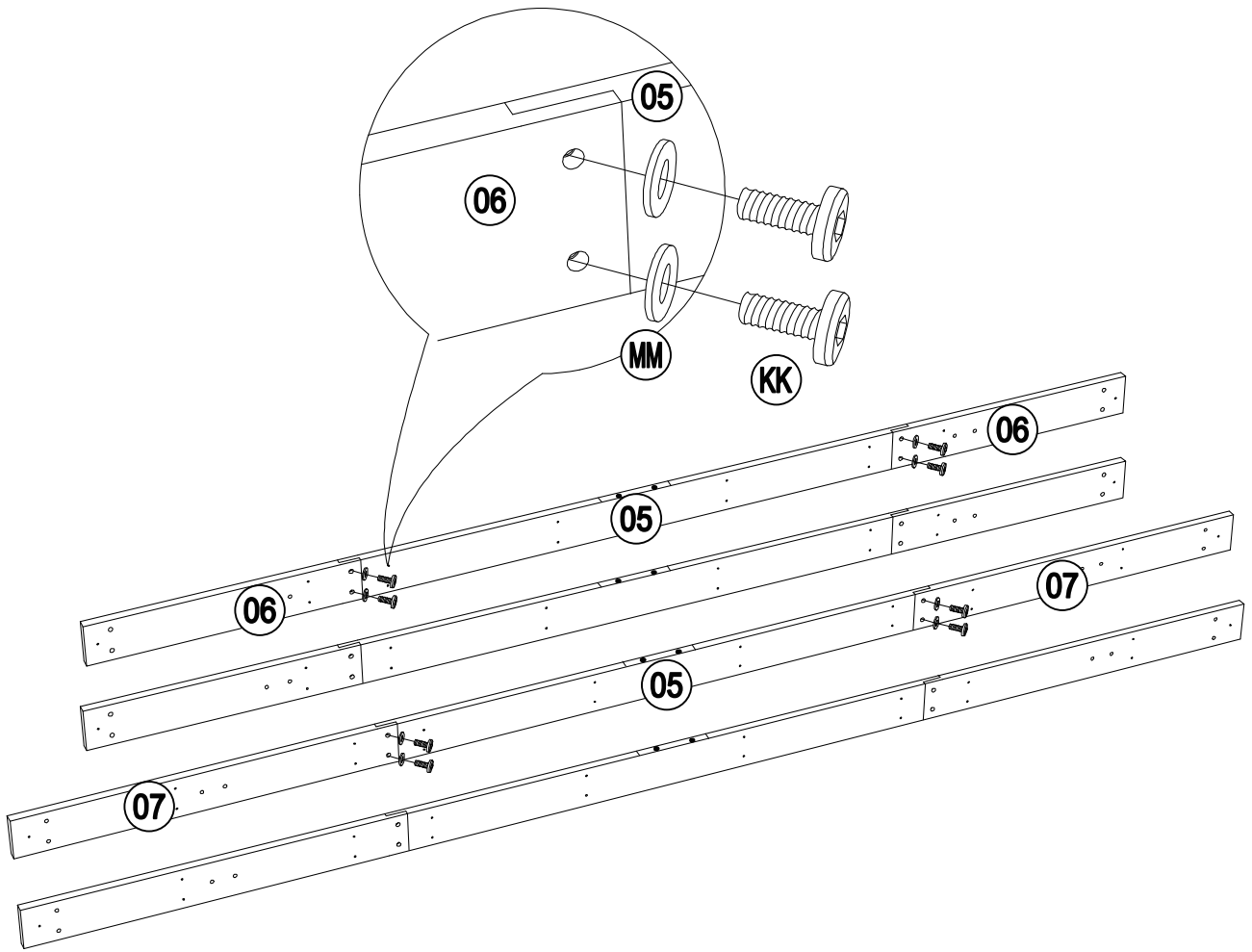
	Description	Sketch	QTY
03	Outer Long Left Beam (Short)		2 pcs
04	Outer Long Right Beam (Short)		2 pcs
05	Inner Middle Beam		2 pcs
06	Inner Short Beam (Short)		4 pcs
08	Post		2 pcs
10	Arc Support 1		4 pcs
11	Arc Support 2		4 pcs
14	Triangular Middle Support Beam		2 pcs
15	Triangular Frame Slanting Beam		4 pcs

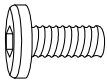

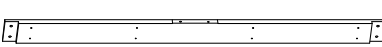


	Description	Sketch	QTY
AA	Bolt M10*205		8 pcs
BB	Flat Washer M6		140 pcs
CC	Screw M5*40		72 pcs
DD	Nut M6		12 pcs
EE	Screw M5*30		72 pcs
FF	Bolt M6*15		108 pcs
HH	Bolt M8*35		16 pcs

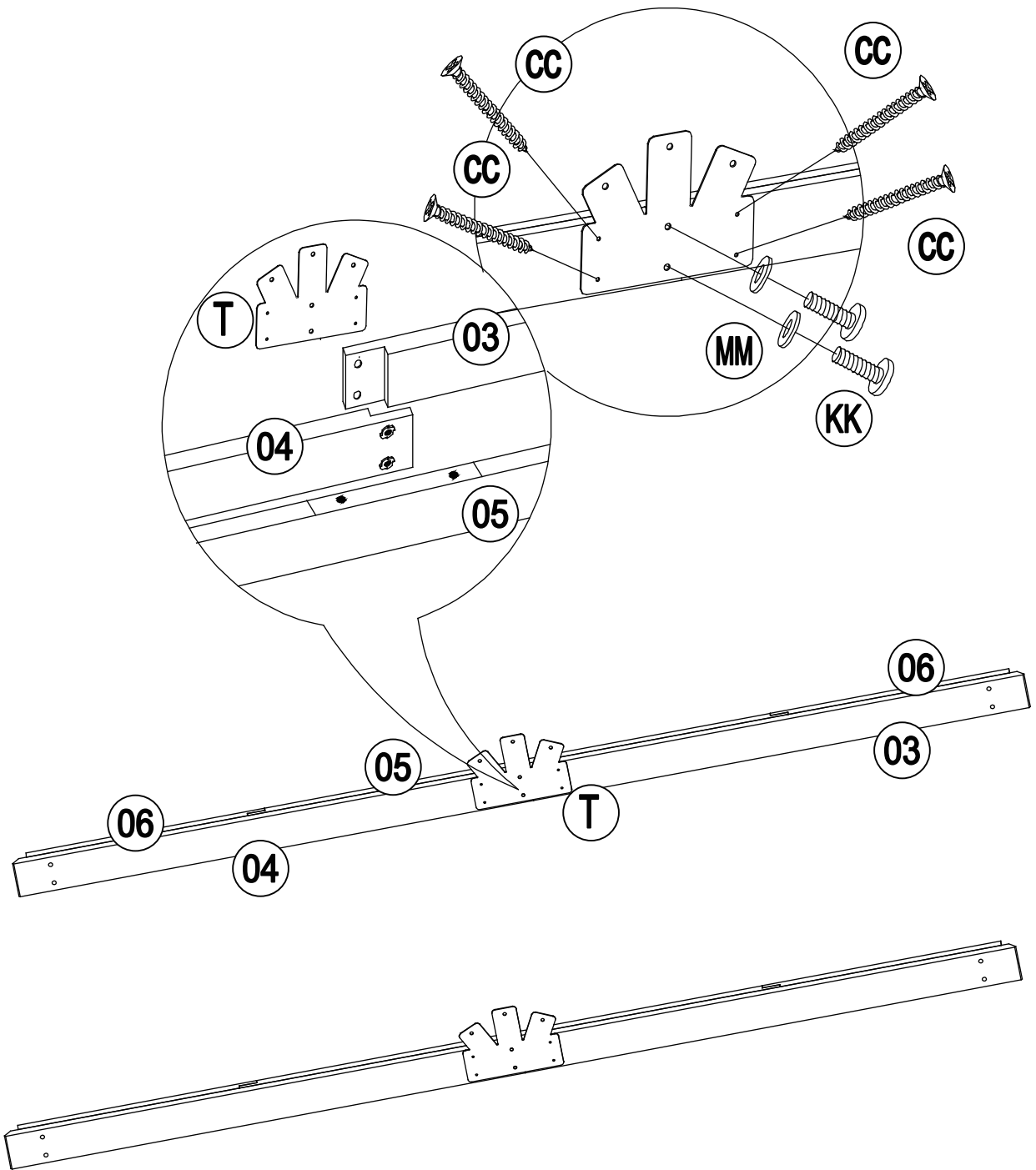
	Description	Sketch	QTY
II	Bolt M8*35		16 pcs
JJ	Bolt M6*55		12 pcs
KK	Bolt M8*20		24 pcs
LL	Non-slip Nuts M10		8 pcs
MM	Flat Washer M8		84 pcs
NN	Flat Washer M10		24 pcs
OO	Screw M10*80		8 pcs
PP	Stake $\Phi 8*180$		8 pcs
QQ	Bolt M6*35		8 pcs
RR	M3 Drill		2 pcs
UU	Non-slip nuts M8		14 pcs
WW	Bolt M8*50		14 pcs
Z1	Wrench M6		2 pcs
Z2	Allen Key M8		1 pcs
Z3	Wrench M8		2 pcs
Z4	Wrench M10		2 pcs

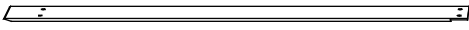
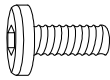
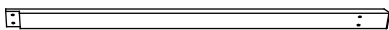





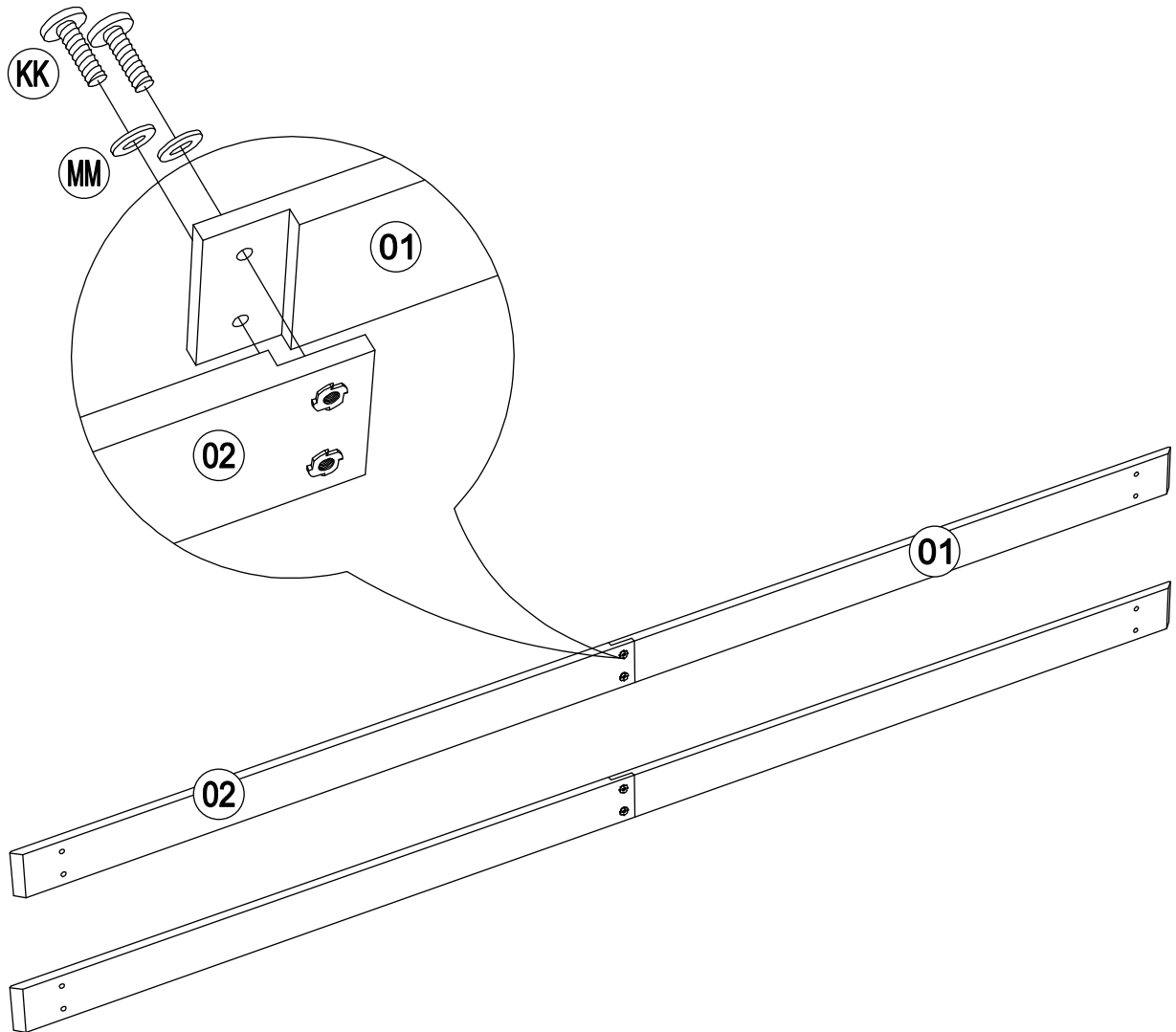
	08 x 4pcs		C x 4pcs
	B x 4pcs		EE x 16 pcs

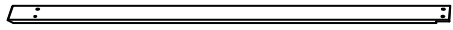
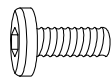
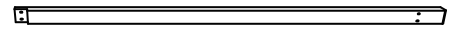



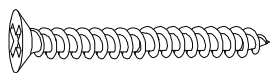
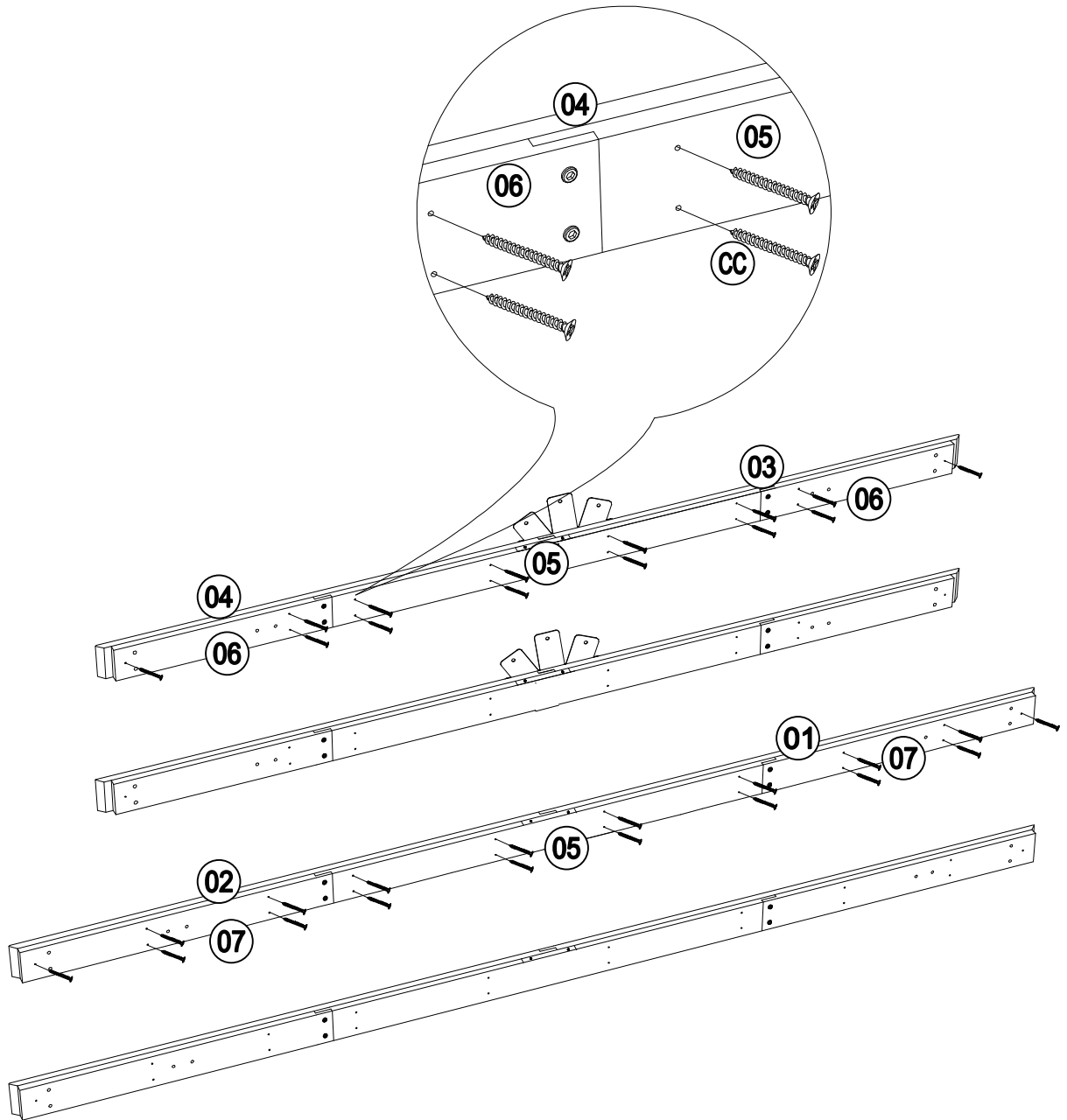
	KK x 16pcs		MMx 16pcs
	05 x 4pcs		07 x 4pcs
	06 x 4pcs		



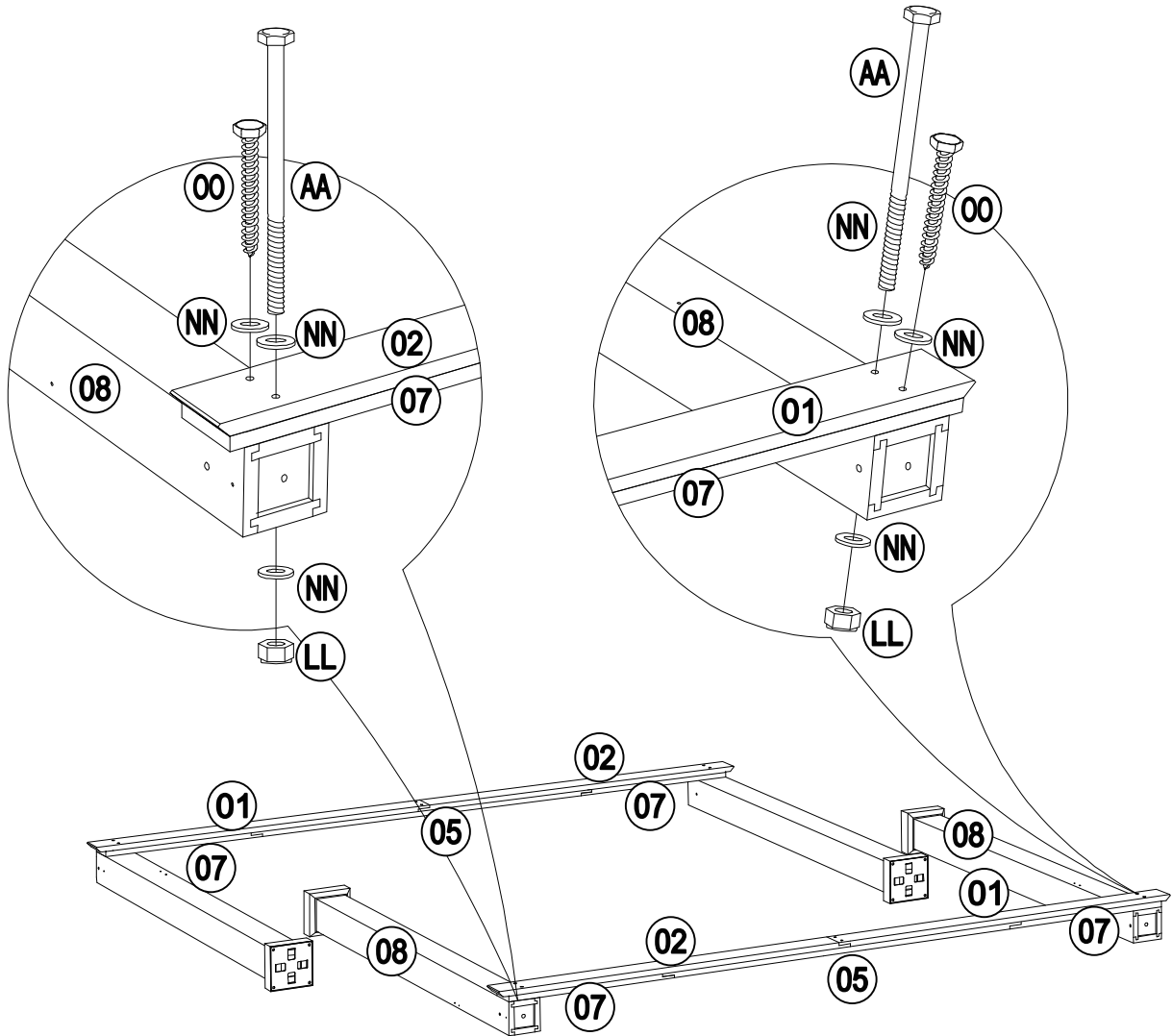
 03 x 2pcs	 KK x 4pcs
 04 x 2pcs	 MM x 4pcs
 T x 2pcs	 CC x 8pcs

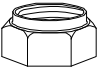


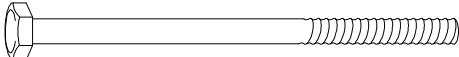


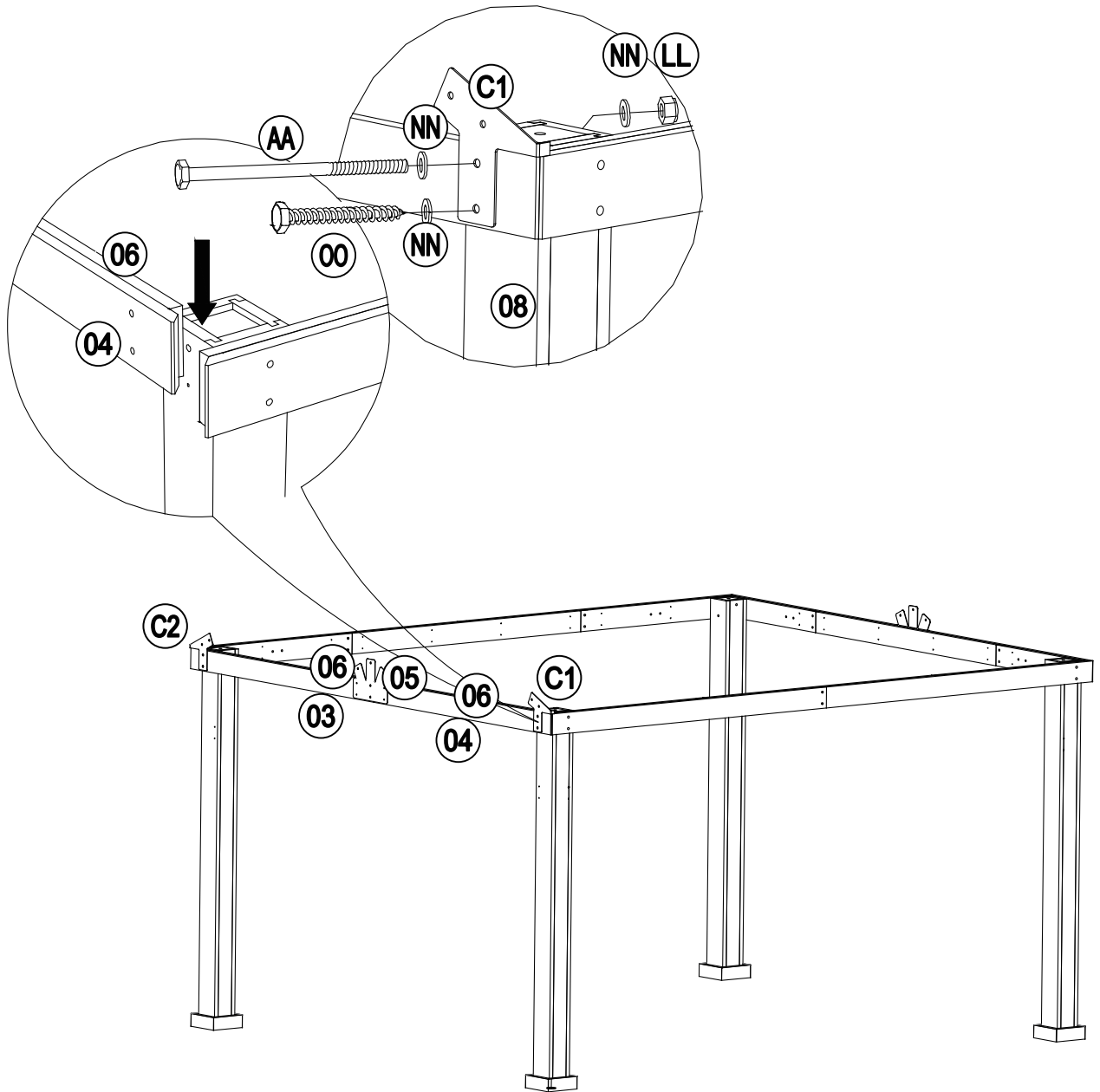
	01 x 2pcs		KK x 4pcs
	02 x 2pcs		MM x 4pcs

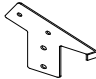




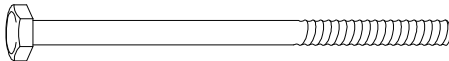


CC x 64pcs



	LL x 4pcs		OO x 4pcs
	NN x 12pcs		AA x 4pcs



	C1 x 2pcs		C2 x 2pcs
	LL x 4pcs		OO x 4pcs
	NN x 12pcs		AA x 4pcs

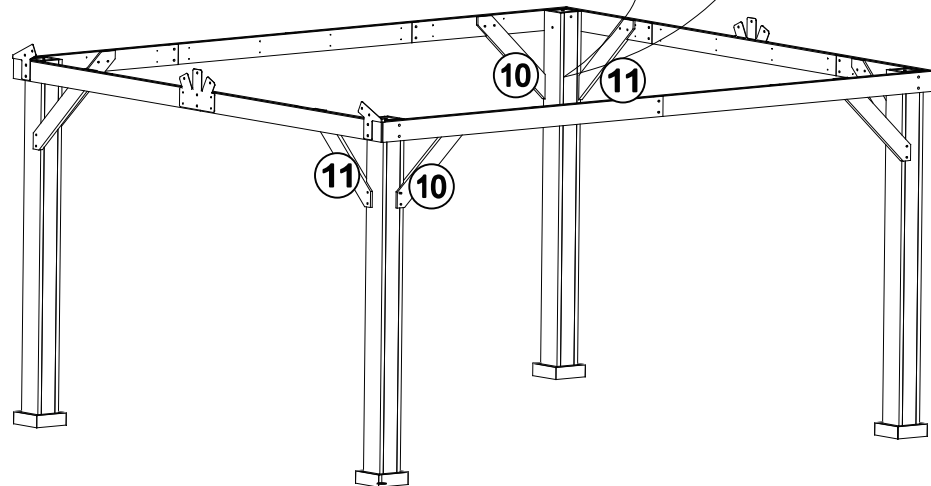
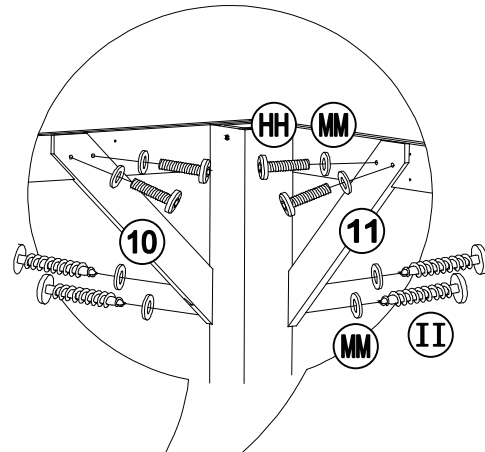
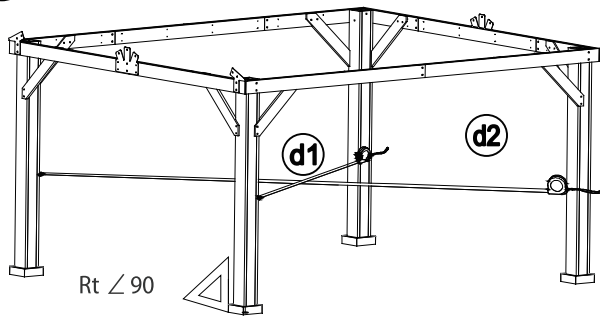
EN: Assembly Tip on Step 8:


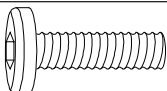



Please measure to make sure the length of d1 is equal to d2 before moving to next step to ensure a square frame and best results. Keep the beam at right angles to the post, the post at right angles to the ground, and keep the beam horizontal.

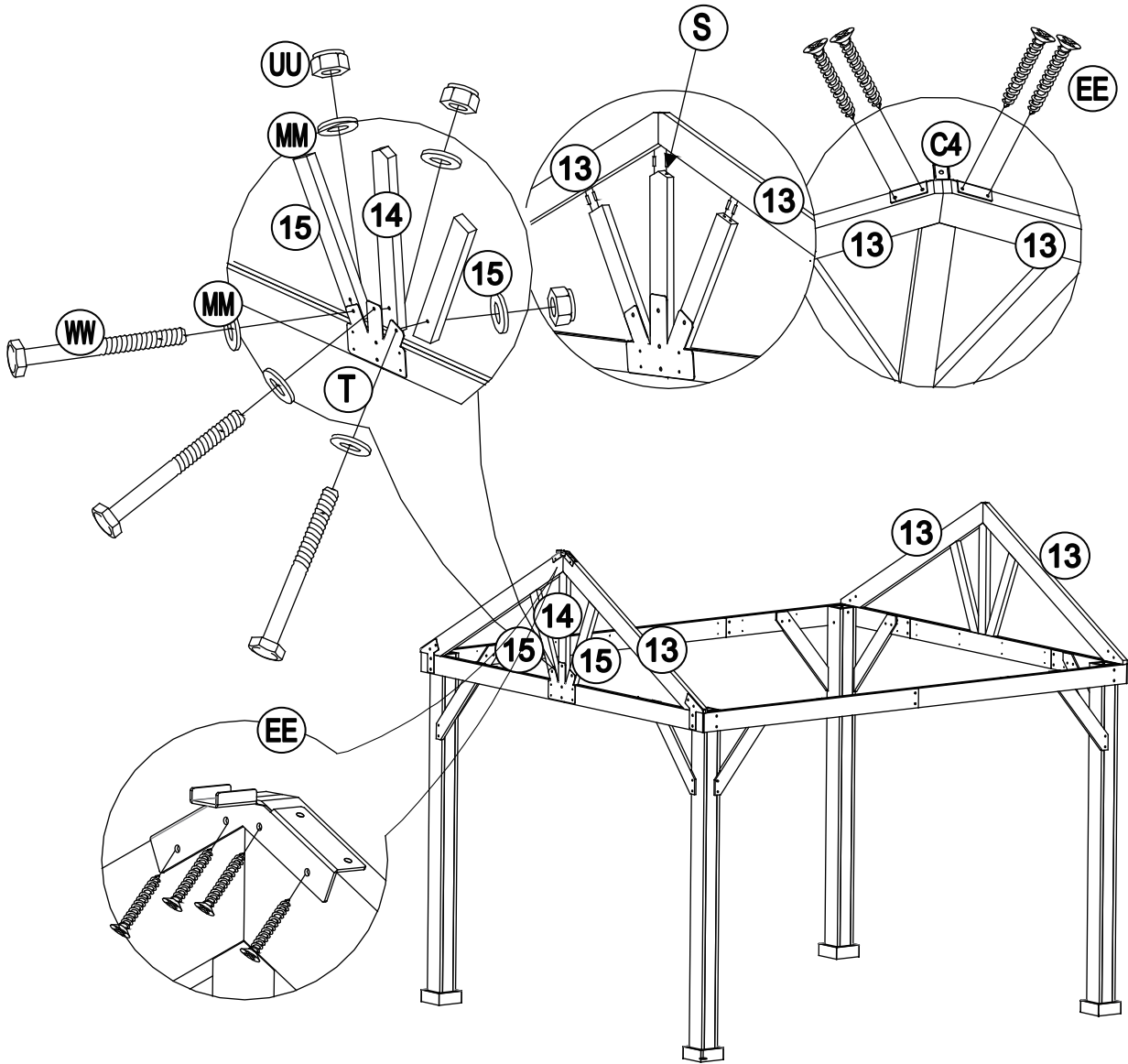
FR: Conseil d'assemblage à l'étape 8:

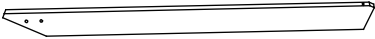



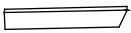

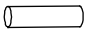
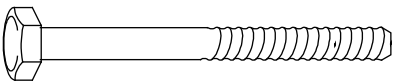
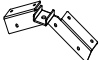
Veillez mesurer pour vous assurer que la longueur de d1 est égale à d2 avant de passer à l'étape suivante pour assurer un cadre carré et de meilleurs résultats. Gardez le faisceau perpendiculaire au poteau, le poteau à angle droit par rapport au sol et maintenez le faisceau horizontal.

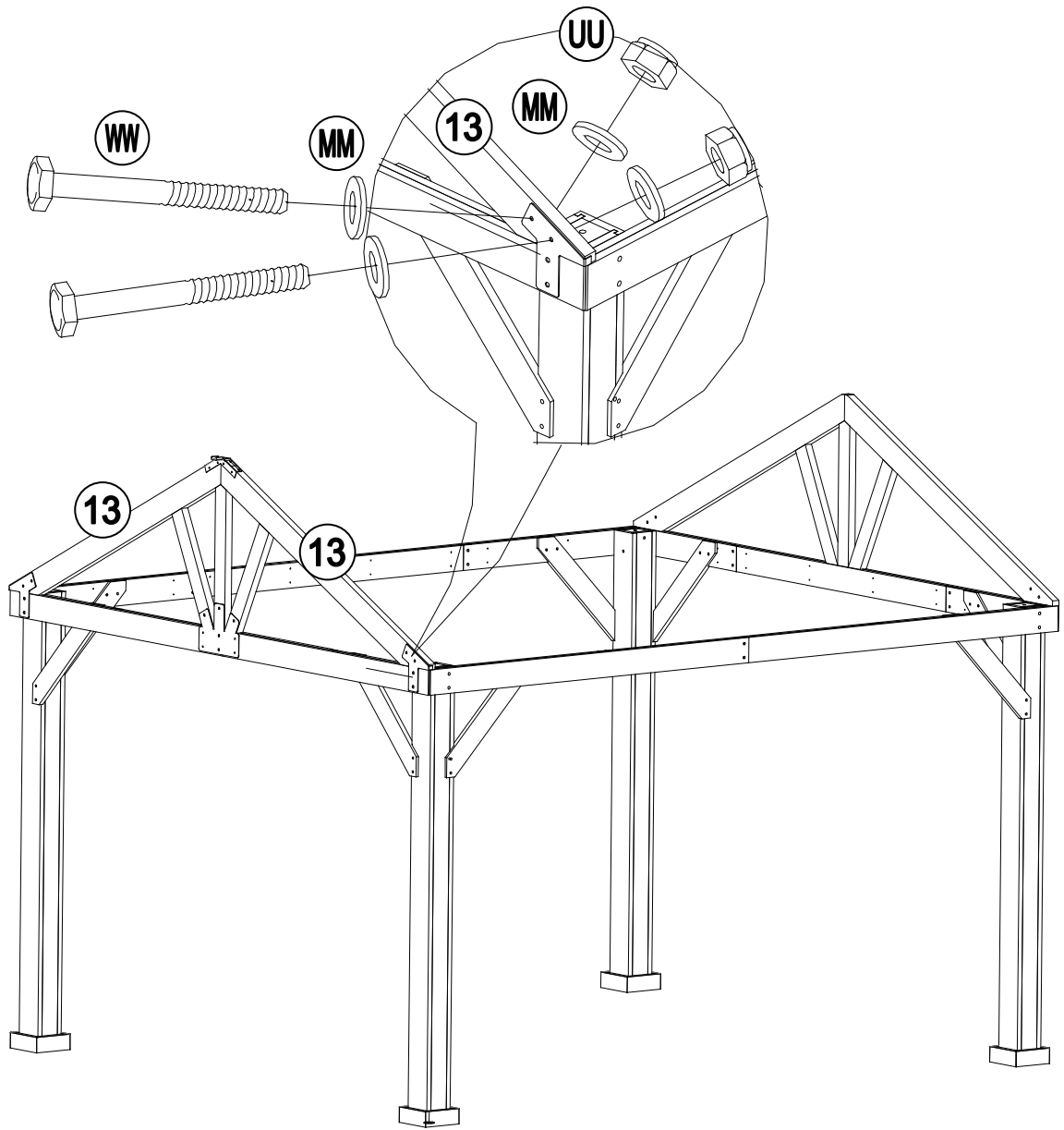
i d1=d2



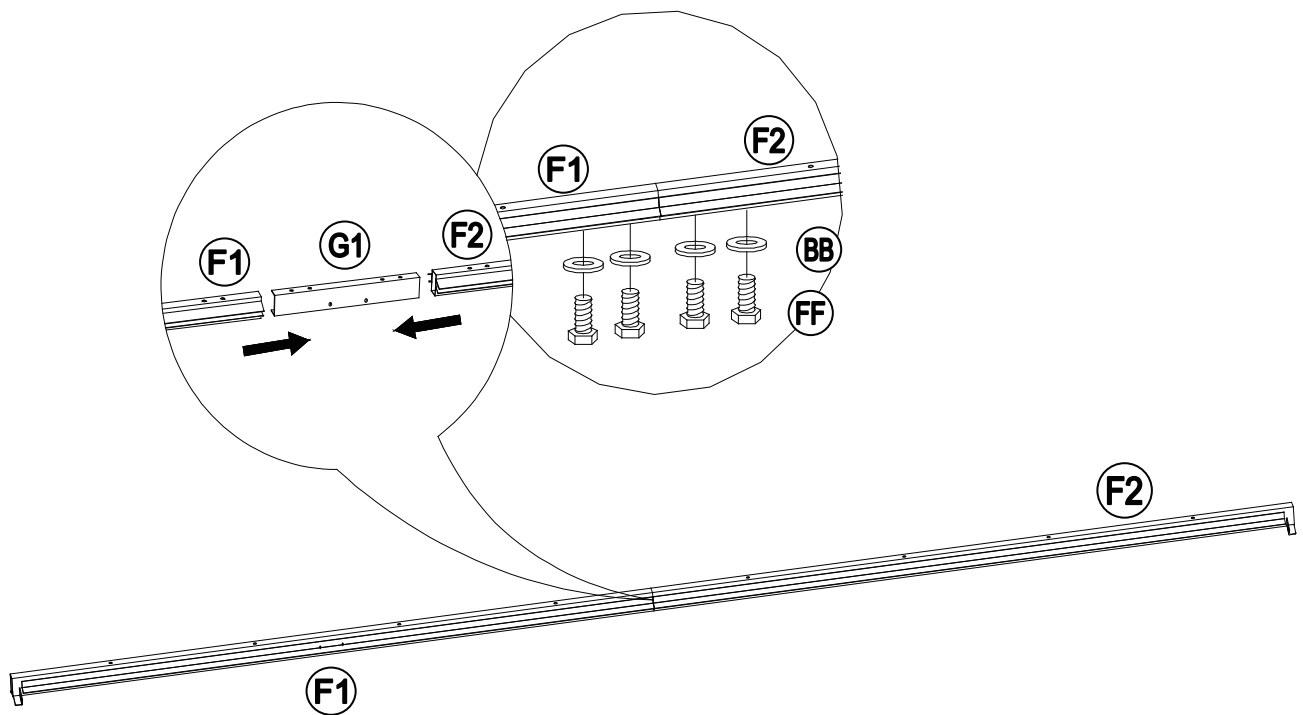
	10 x 4pcs		HH x 16pcs
	11 x 4pcs		MM x 32pcs
			II x 16pcs




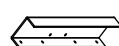
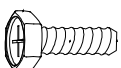


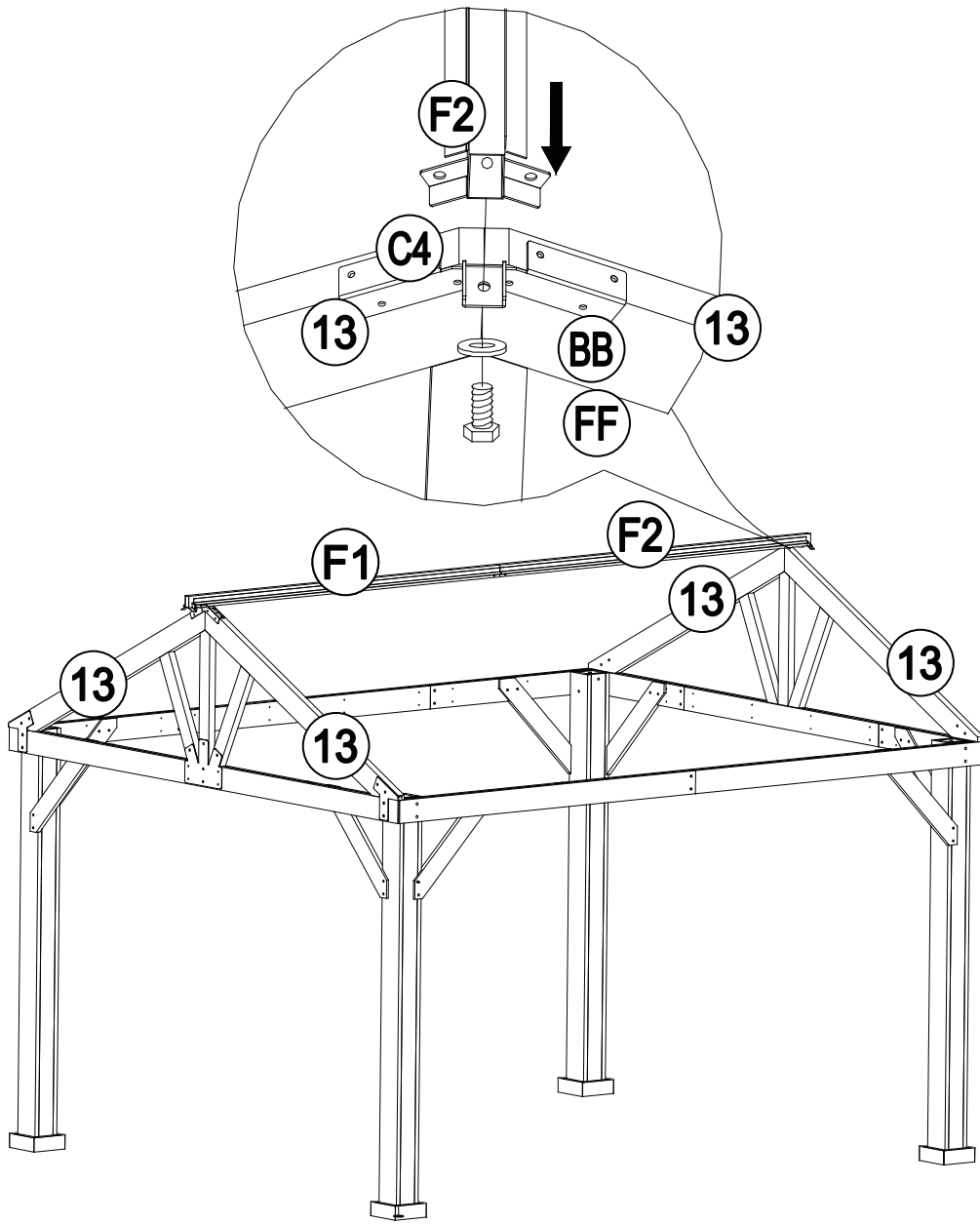
	13 x 4pcs		UU x 6pcs
	14 x 2pcs		MM x 12pcs
	15 x 4pcs		EE x 16pcs
	S x 12pcs		WW x 6pcs
	C4 x 2pcs		



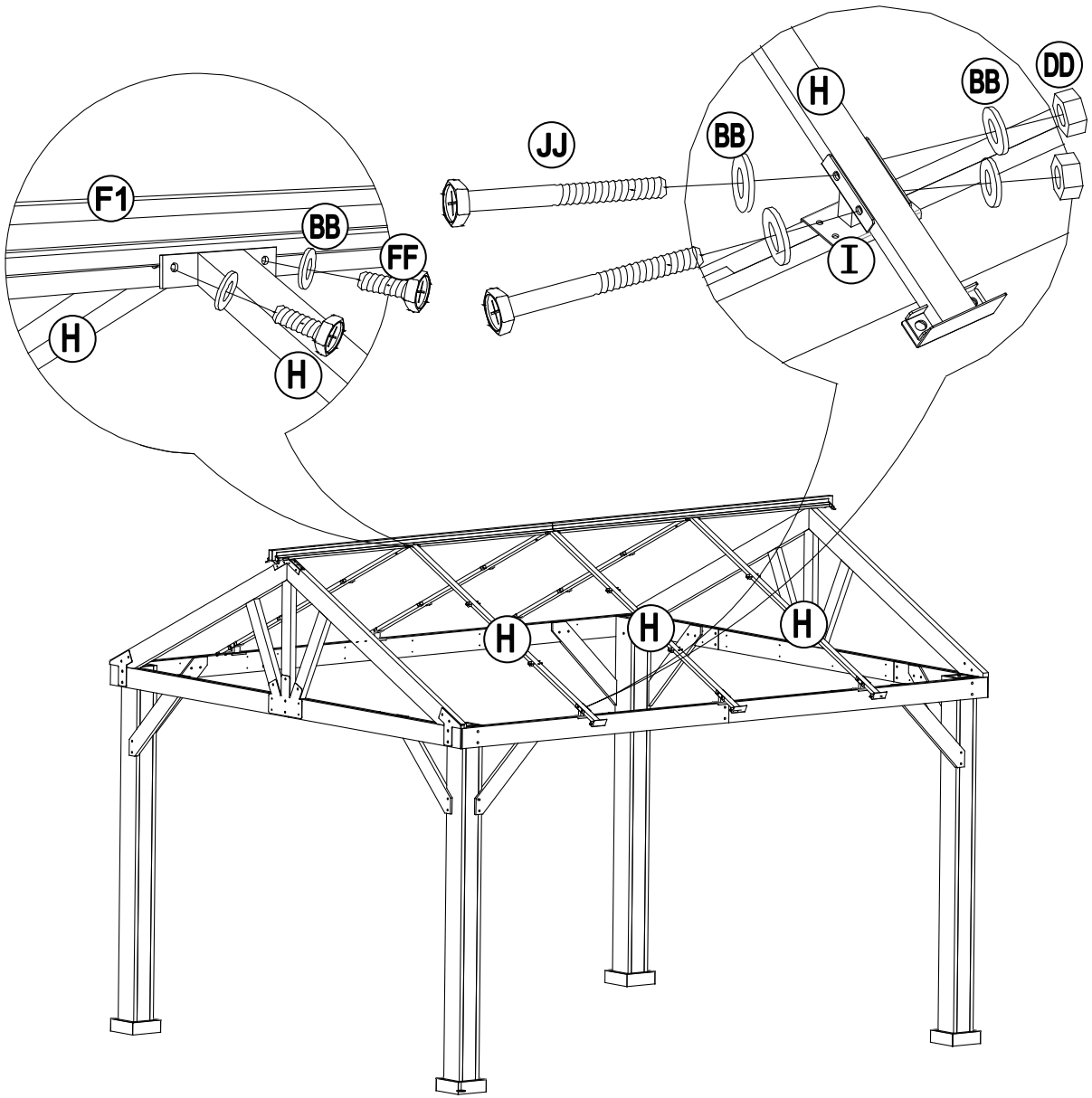
	UU x 8pcs		WW x 8pcs
	MM x 16pcs		

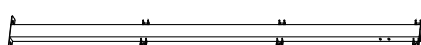


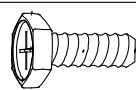
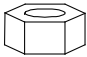
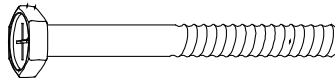


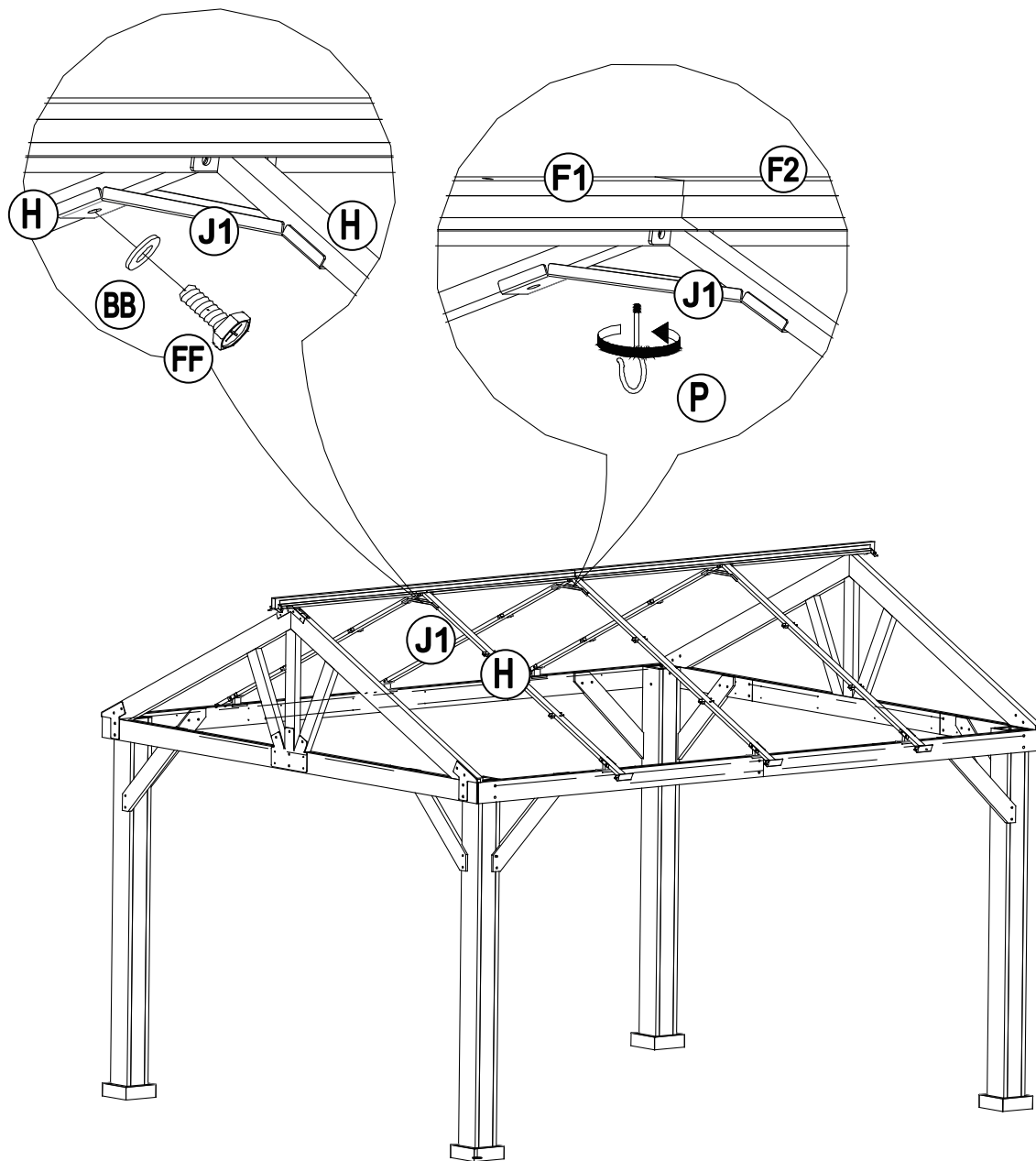
	F2 x 1pcs		
	F1 x 1pcs		BB x 4pcs
	G1 x 1pc		FF x 4pcs



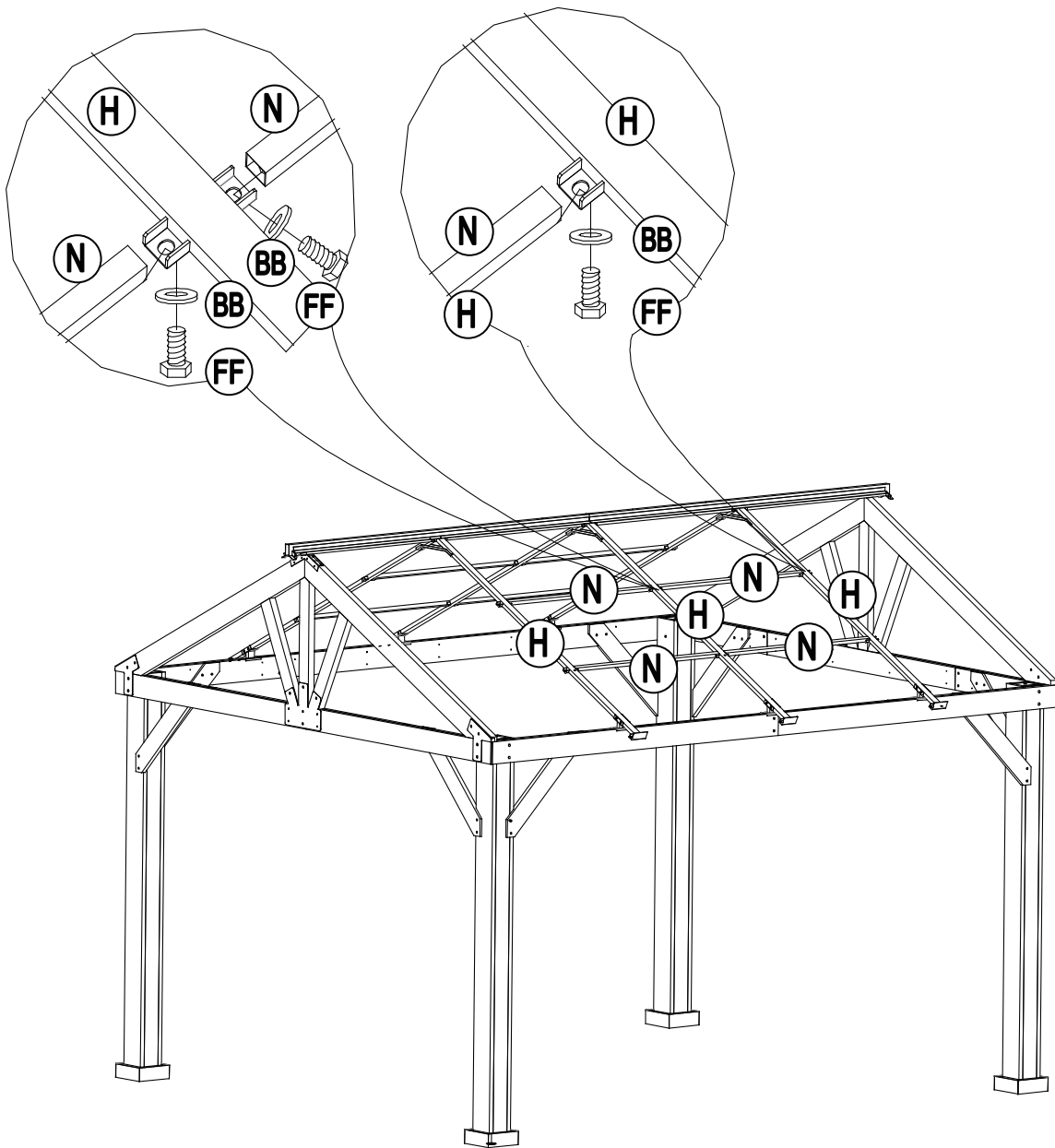
	F1、 F2 x 1pcs	
	FF x 2pcs	
		BB x 2pcs

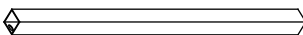

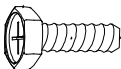


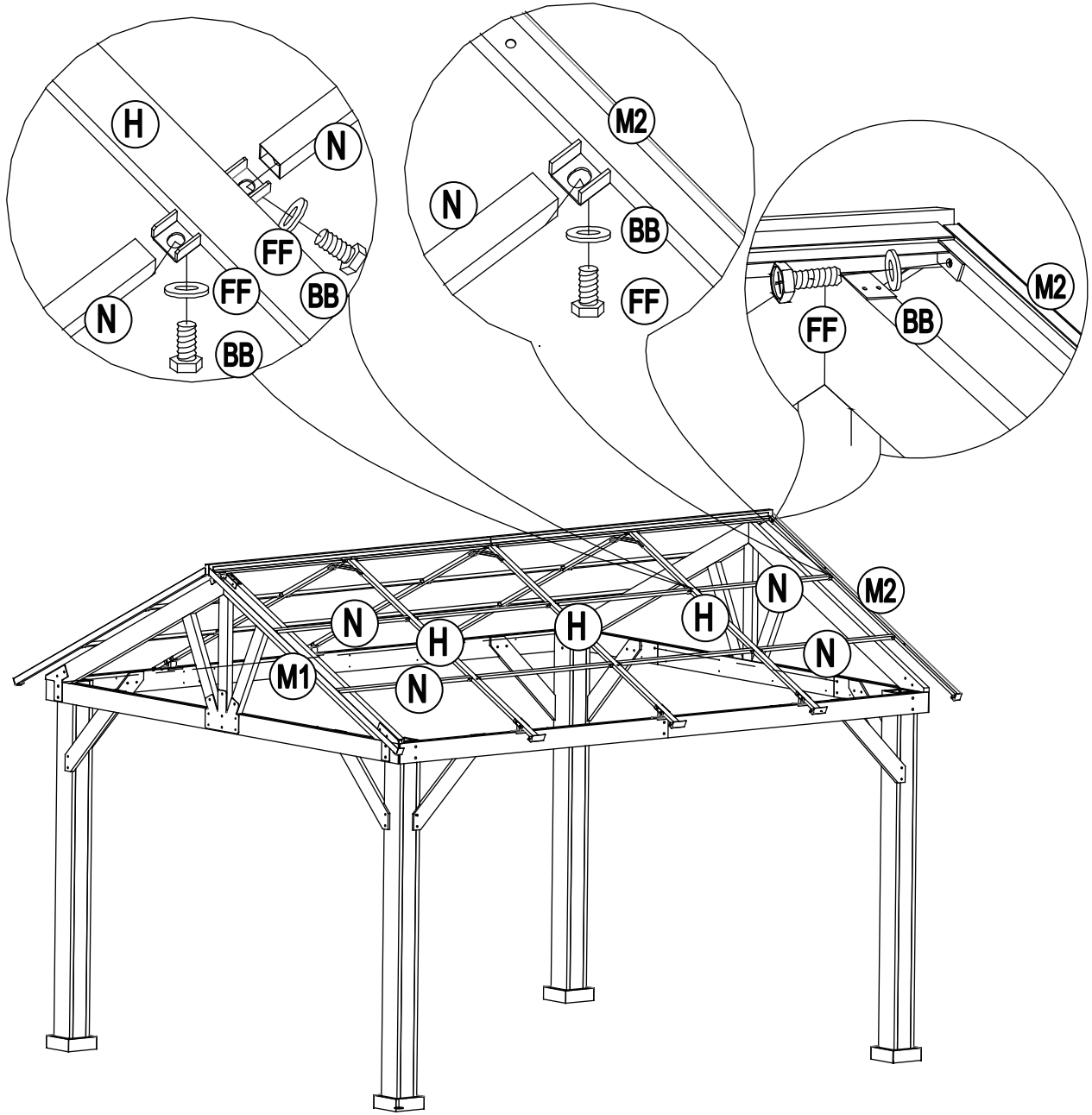
	H x 6pcs		BB x 36pcs
	I x 6pcs		FF x 12pcs
	DD x 12pcs		JJ x 12pcs



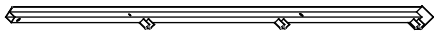
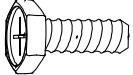



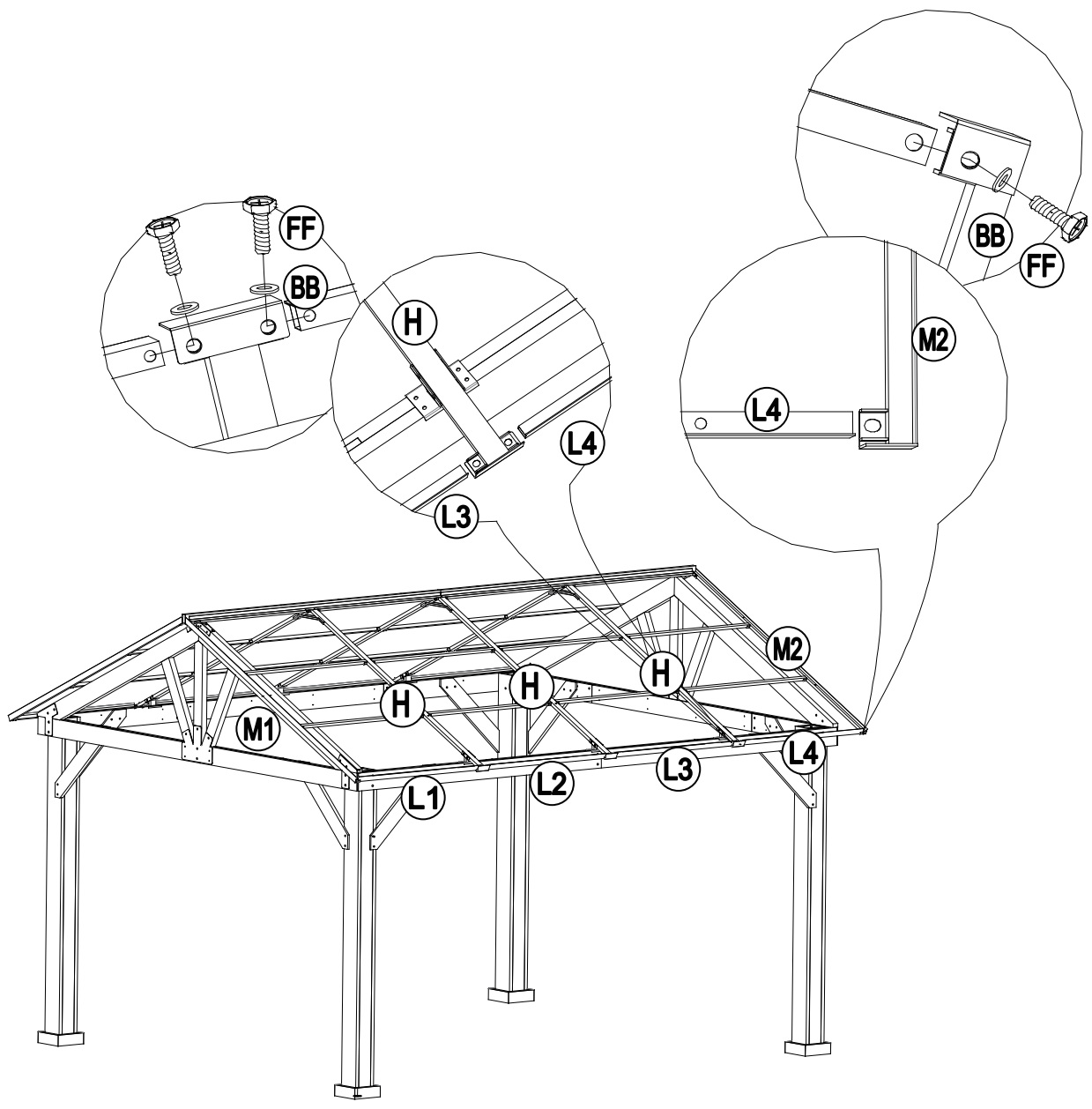
	<p>J1 x 3pcs</p>		<p>BB x 6pcs</p>
	<p>P x 1pc</p>		<p>FF x 6pcs</p>

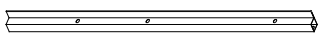

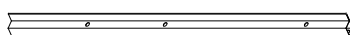
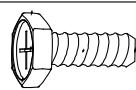

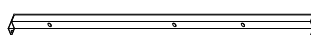


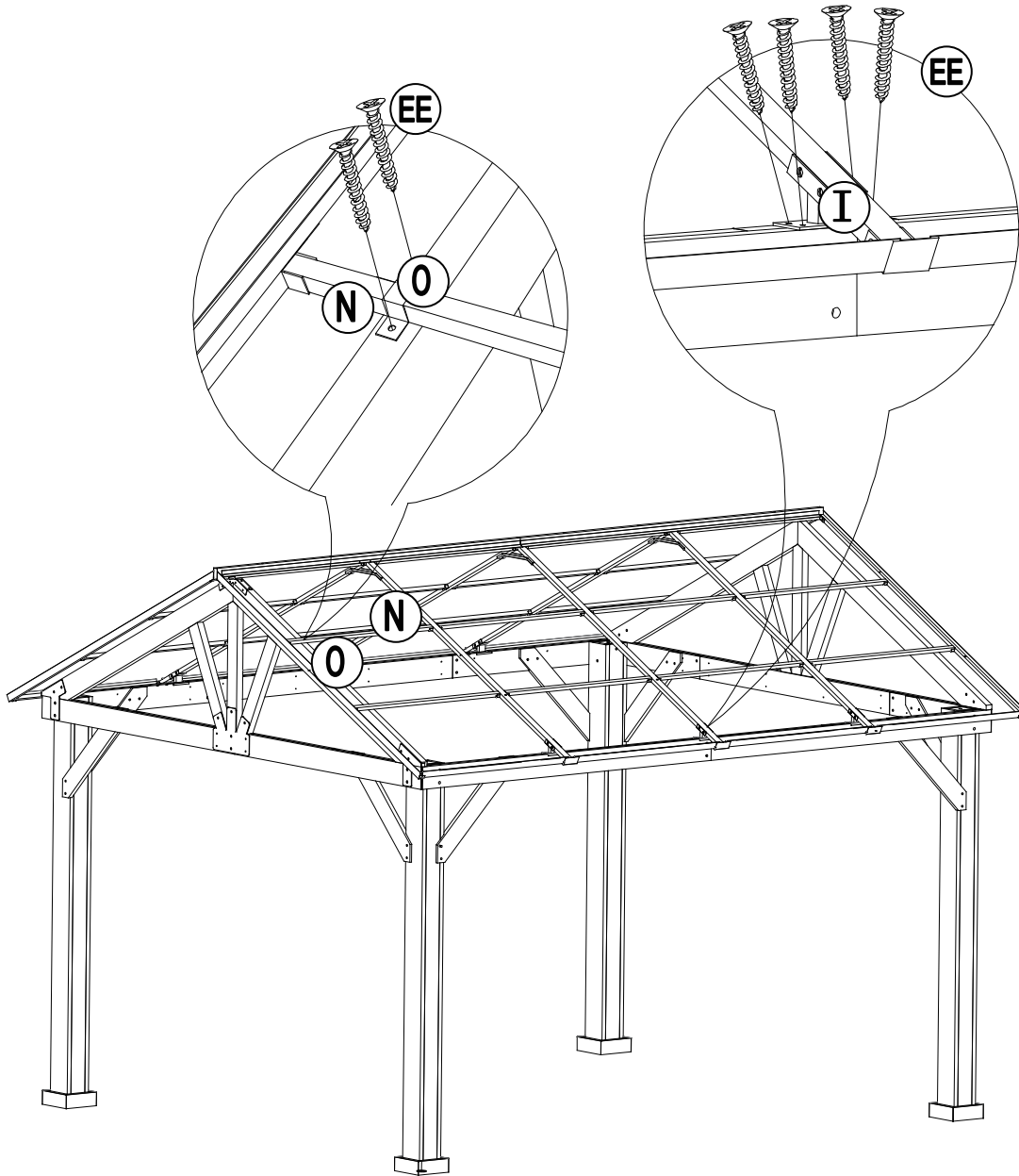
	<p>N x 8pcs</p>		<p>BB x 16pcs</p>
			<p>FF x 16pcs</p>



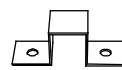
 M1 x 2pcs	 BB x 20pcs
 M2 x 2pcs	 FF x 20pcs
 N x 8pcs	



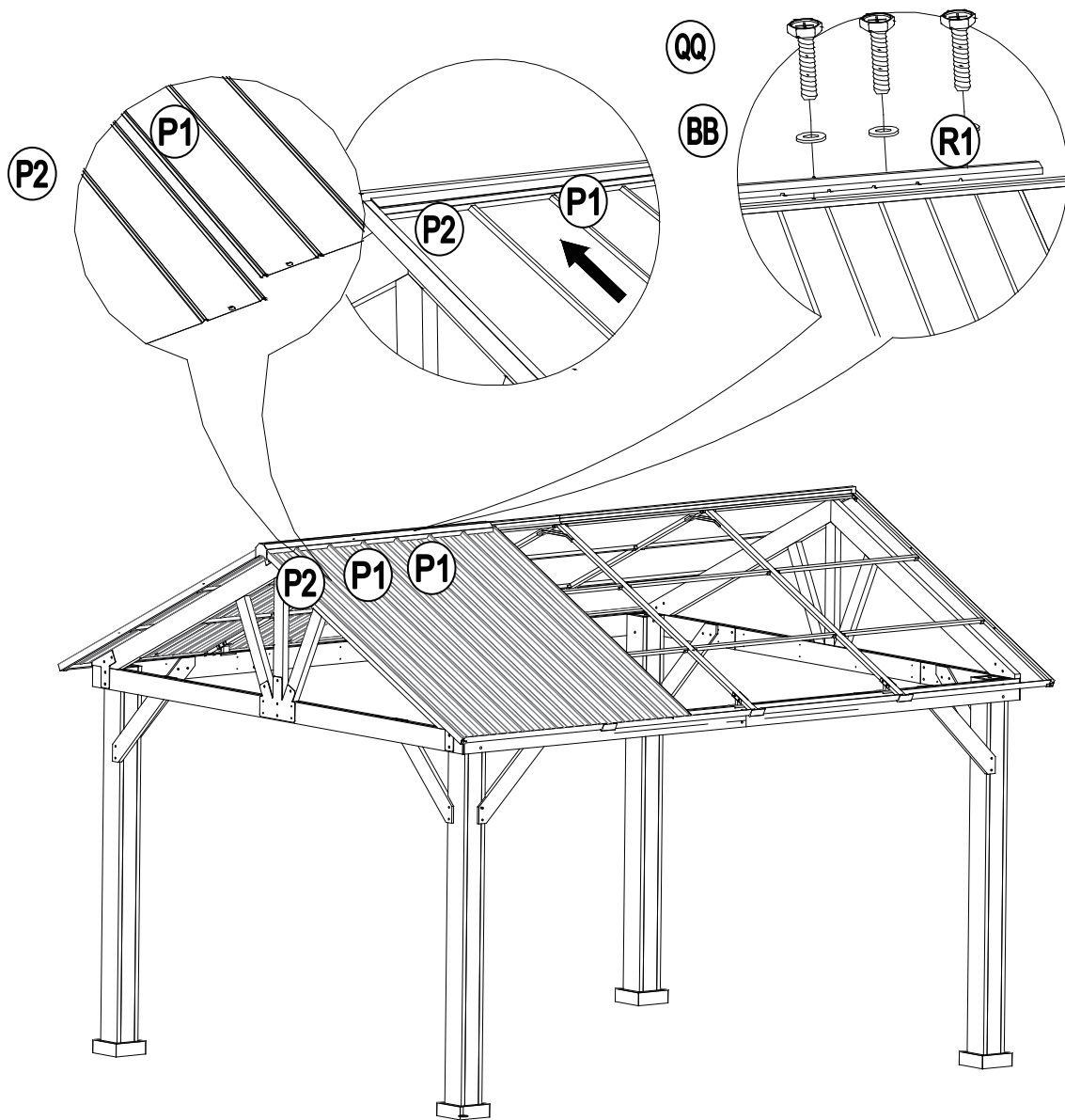
	L1 x 2pcs		BB x 16pcs
	L2 x 2pcs		FF x 16pcs
	L3 x 2pcs		L4 x 2pcs

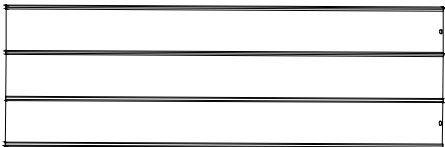

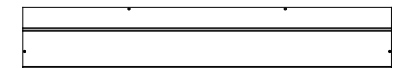
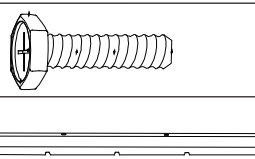


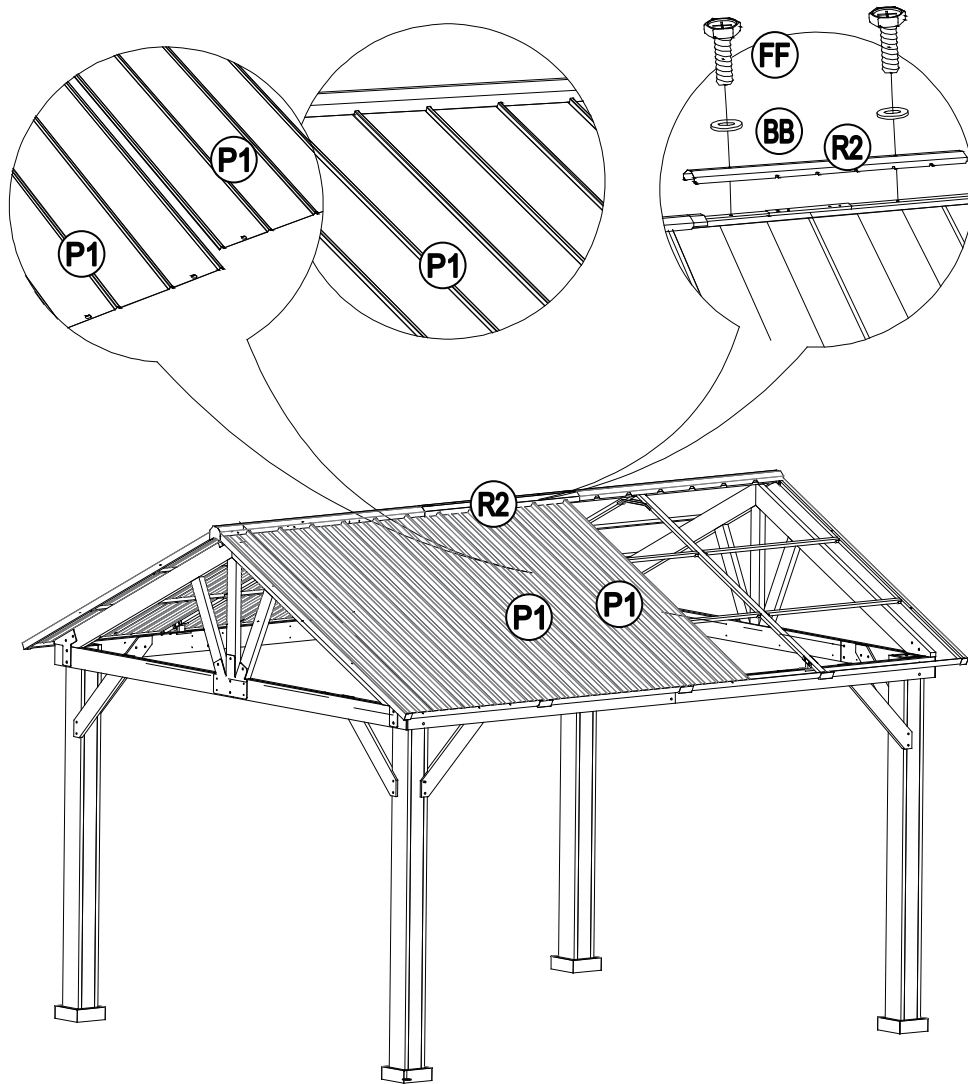
EE x 40pcs




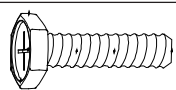


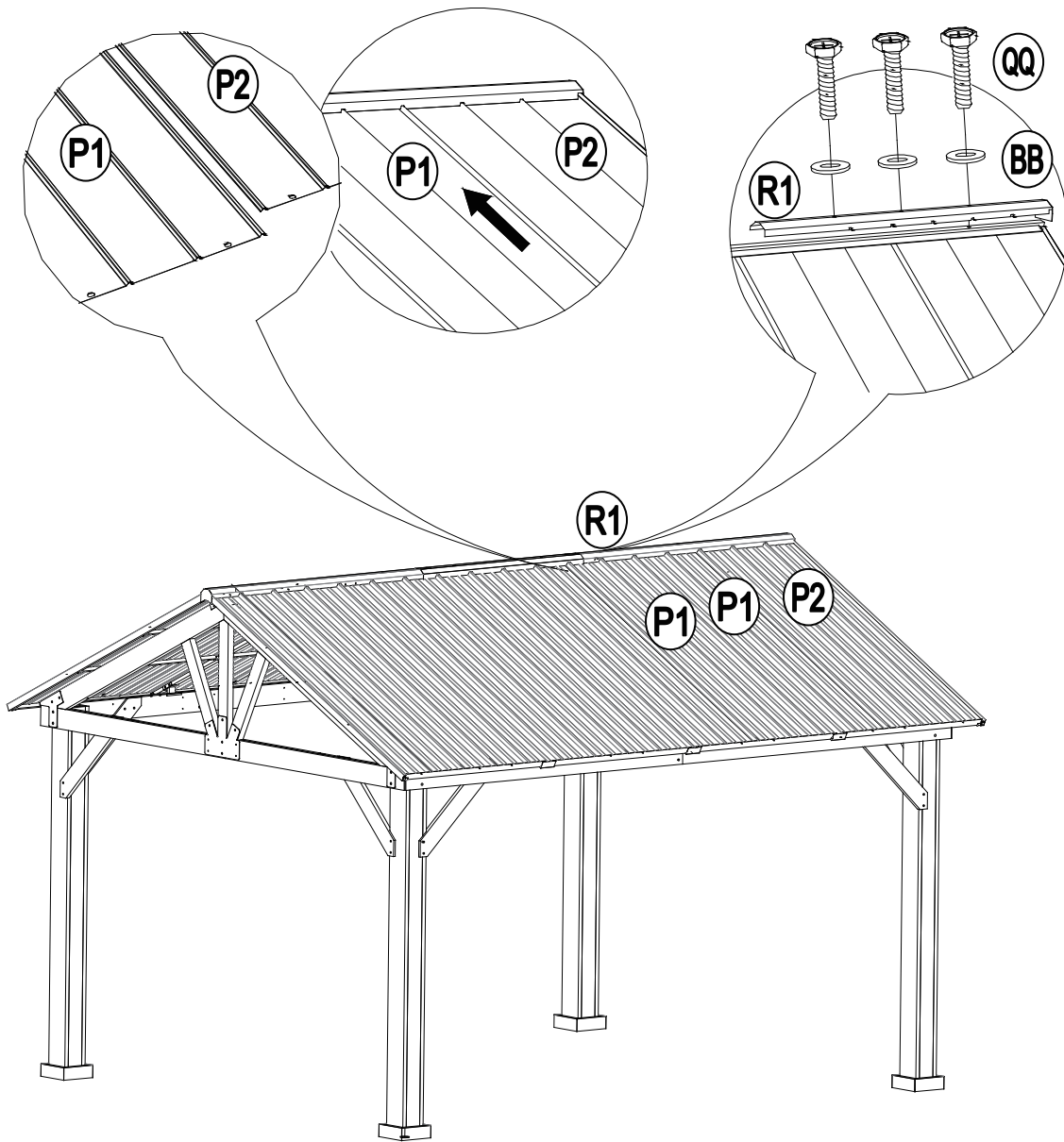
O x 8pcs



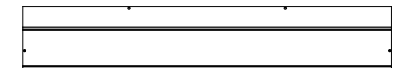
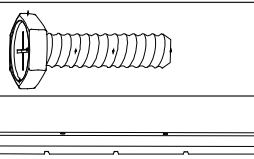


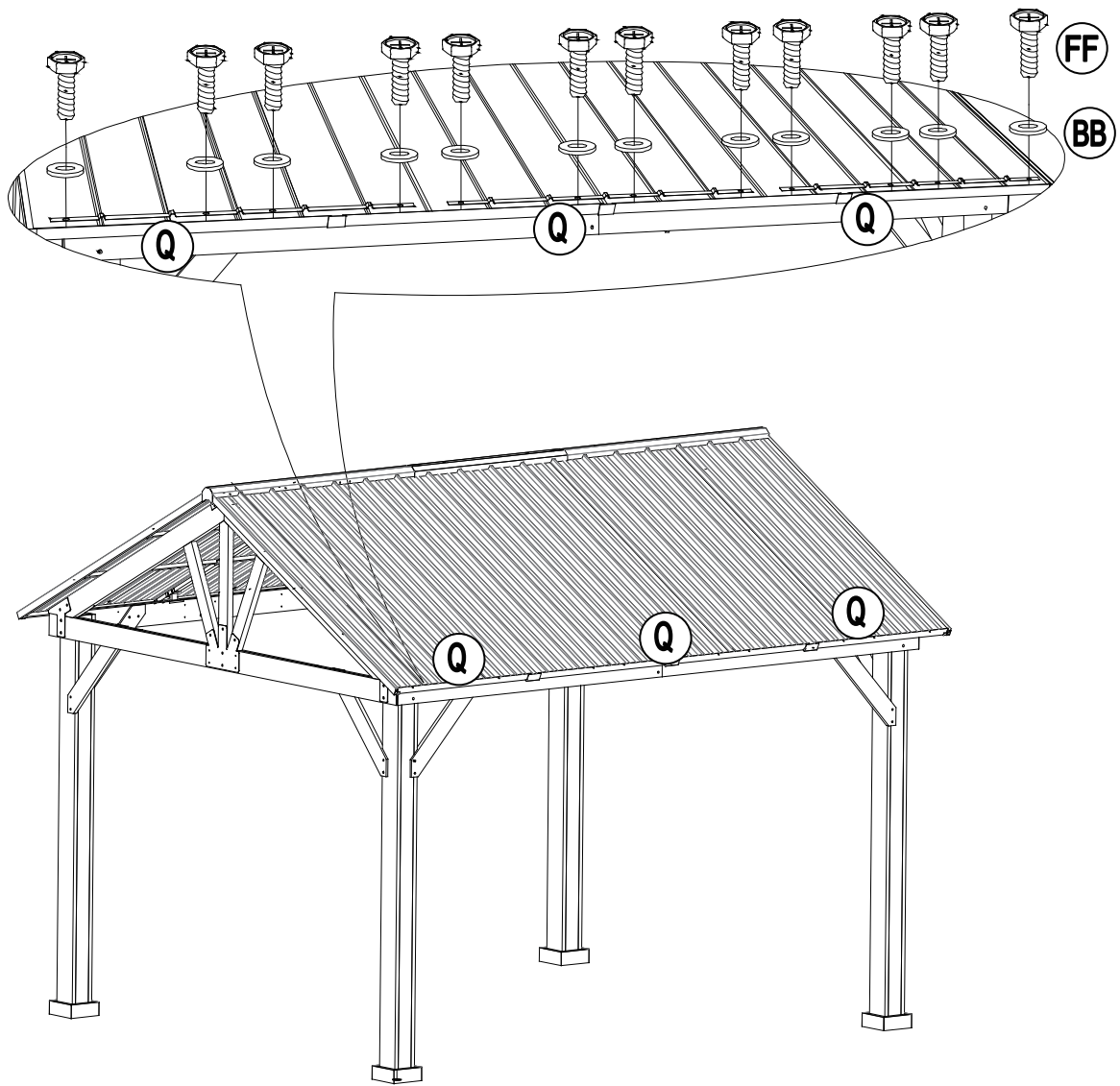
 <p>P1 x 4pcs</p>	 <p>BB x 3pcs</p>
 <p>P2 x 2pcs</p>	 <p>QQ x 3pcs R1 x 1pc</p>

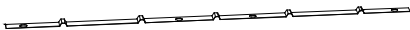

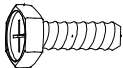


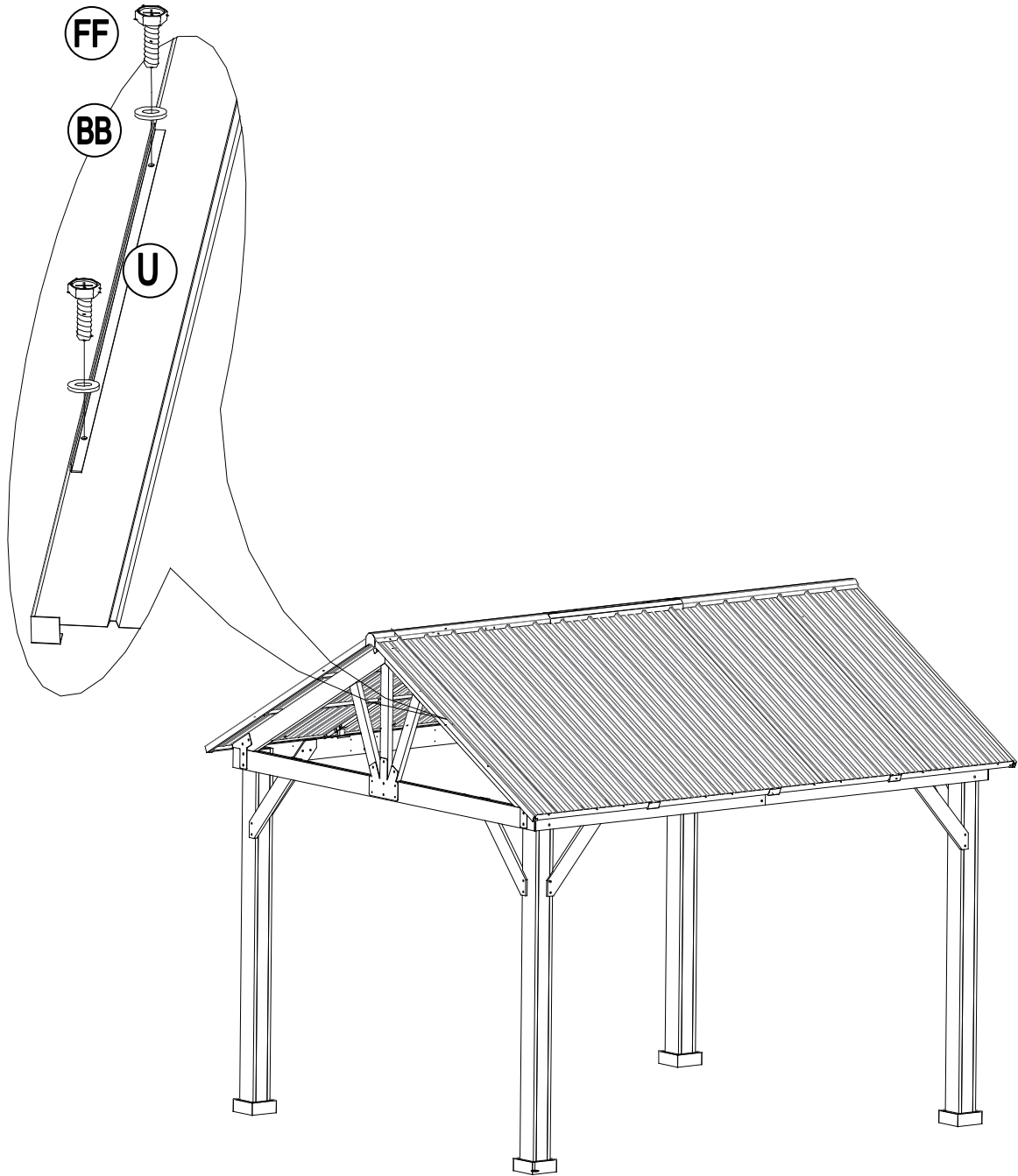
 <p>P1 x 2pcs</p>	 <p>BB x 2pcs</p>
 <p>R2 x 1pc</p>	 <p>QQ x 2pcs</p>



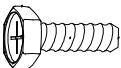


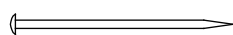
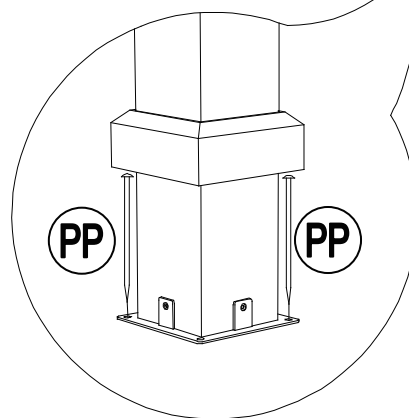
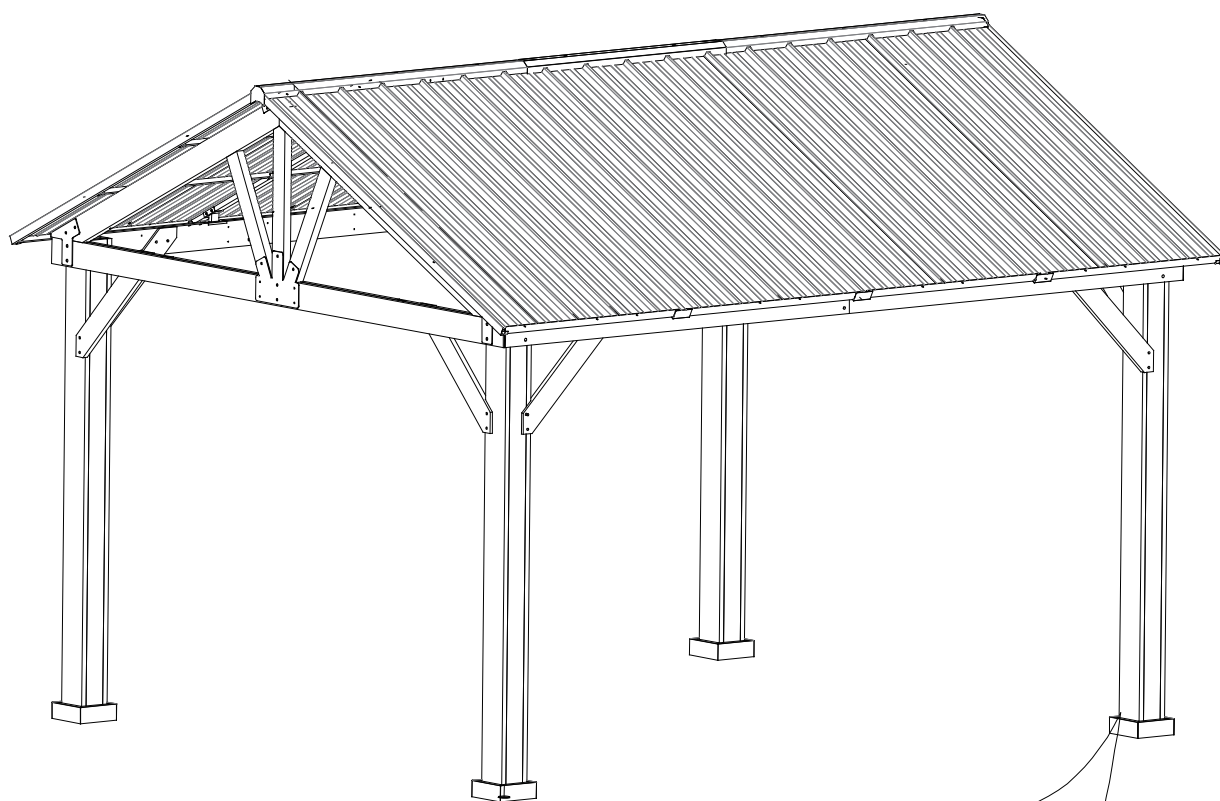
 <p>P1 x 4pcs</p>	 <p>BB x 3pcs</p>
 <p>P2 x 2pcs</p>	 <p>QQ x 3pcs</p> <p>R1 x 1pc</p>



 <p>Q x 6pcs</p>	 <p>BB x 24pcs</p>
	 <p>FF x 24pcs</p>



 U x 4pcs	 BB x 8pcs
	 FF x 8pcs



PP x 8pcs

US



001-877-644-9366
customerservice@aosom.com

CA



001-855-537-6088
customerservice@aosom.ca

UK



0044-800-240-4004
enquiries@mhstar.co.uk

DE



0049-(0)40-88307530
service@aosom.de

FR



0033-1-84166106
contact@aosom.fr

ES



0034-931294512
atencioncliente@aosom.es

IT



0039-0249471447
clienti@aosom.it