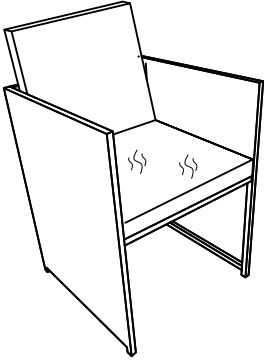



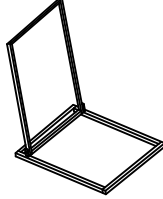
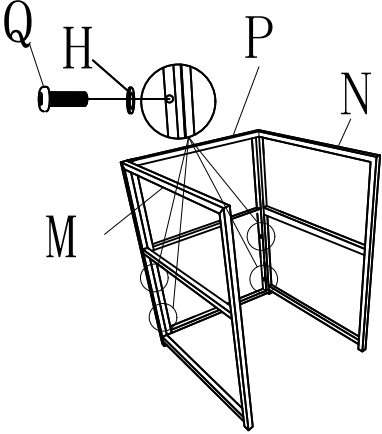
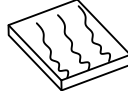


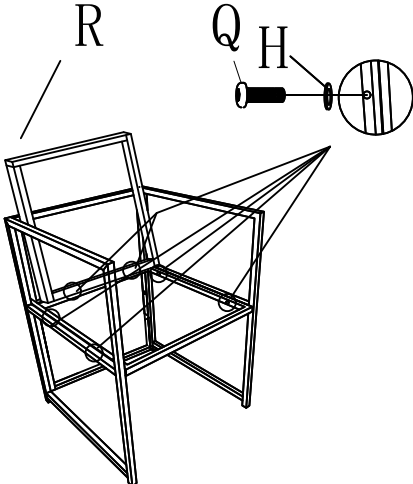
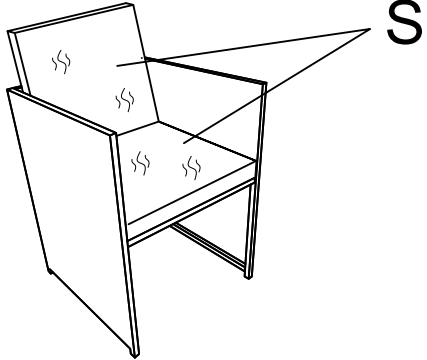


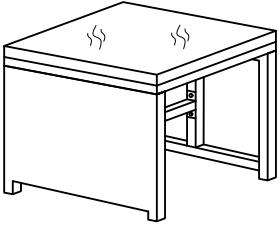

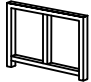



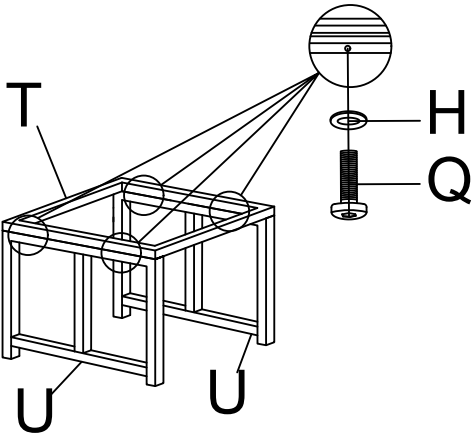
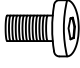

# Manual

The table	Accessories																			
	A		2																	
	B		1																	
	C		2																	
	D		2																	
Assembly (a)	<table border="1"> <tr> <td data-bbox="794 943 946 1061">E</td> <td data-bbox="946 943 1398 1061">  M6x45                 </td> <td data-bbox="1398 943 1533 1061">2</td> </tr> <tr> <td data-bbox="794 1061 946 1180">F</td> <td data-bbox="946 1061 1398 1180"> </td> <td data-bbox="1398 1061 1533 1180">13</td> </tr> <tr> <td data-bbox="794 1180 946 1299">G</td> <td data-bbox="946 1180 1398 1299"> </td> <td data-bbox="1398 1180 1533 1299">2</td> </tr> <tr> <td data-bbox="794 1299 946 1384">J</td> <td data-bbox="946 1299 1398 1384">  M6x15                 </td> <td data-bbox="1398 1299 1533 1384">9</td> </tr> <tr> <td data-bbox="794 1384 946 1469">K</td> <td data-bbox="946 1384 1398 1469"> </td> <td data-bbox="1398 1384 1533 1469">1</td> </tr> <tr> <td data-bbox="794 1469 946 1543">V</td> <td data-bbox="946 1469 1398 1543"> </td> <td data-bbox="1398 1469 1533 1543">1</td> </tr> </table>	E	M6x45	2	F		13	G		2	J	M6x15	9	K		1	V		1	
E		M6x45	2																	
F			13																	
G			2																	
J		M6x15	9																	
K			1																	
V		1																		
Assembly (b)	Assembly (c)																			

# Manual

The chair	Accessories		
	M		1
	N		1
	P		1
	R		1
<b>Assembly(a)</b>			
	S		2
	H		10
	Q	 M6x30	10
<b>Assembly(b)</b>	<b>Assembly(c)</b>		
			

# Manual

The foot-stool	Accessories		
	T		1
	U		2
	W		1
	X		1
<b>Assembly(a)</b>	H		8
	J	 M6x15	4
	Q	 M6x30	4
<b>Assembly(b)</b>	<b>Assembly(c)</b>		
