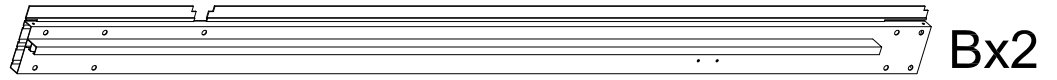
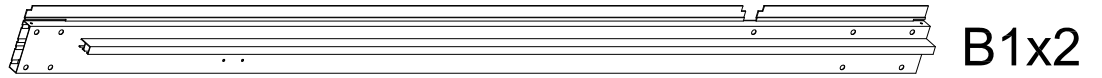




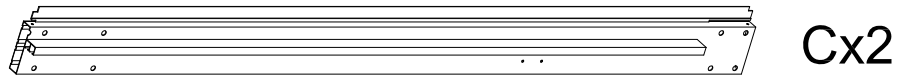
Ax4



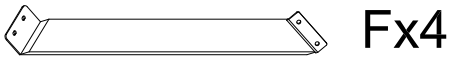
Bx2



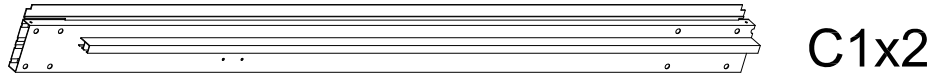
B1x2



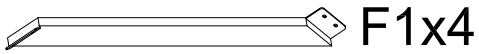
Cx2



Fx4



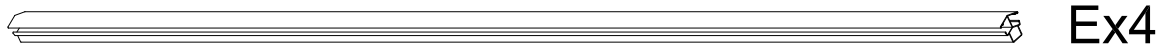
C1x2



F1x4

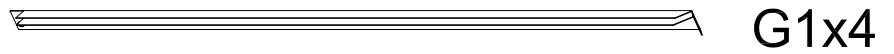


Dx6

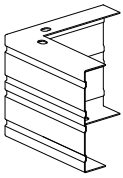


Ex4

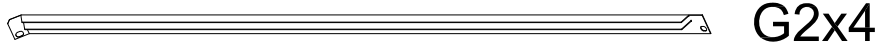
J1x4



G1x4

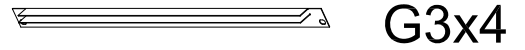
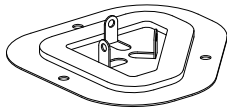


J2x4

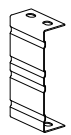


G2x4

Lx4

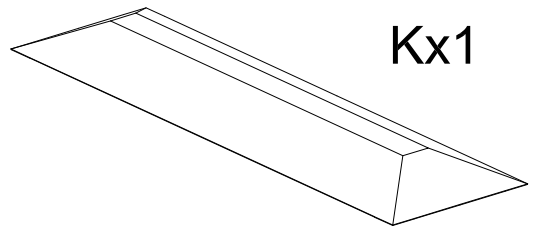
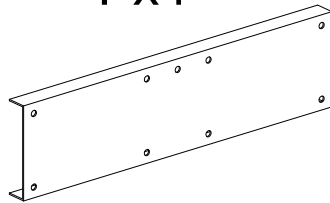


G3x4



M2x4

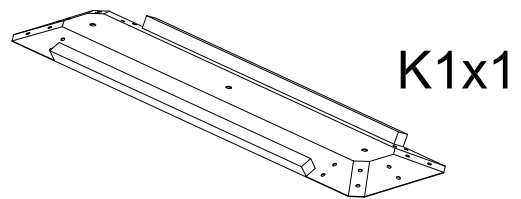
Px4



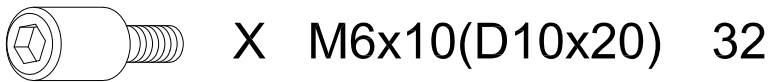
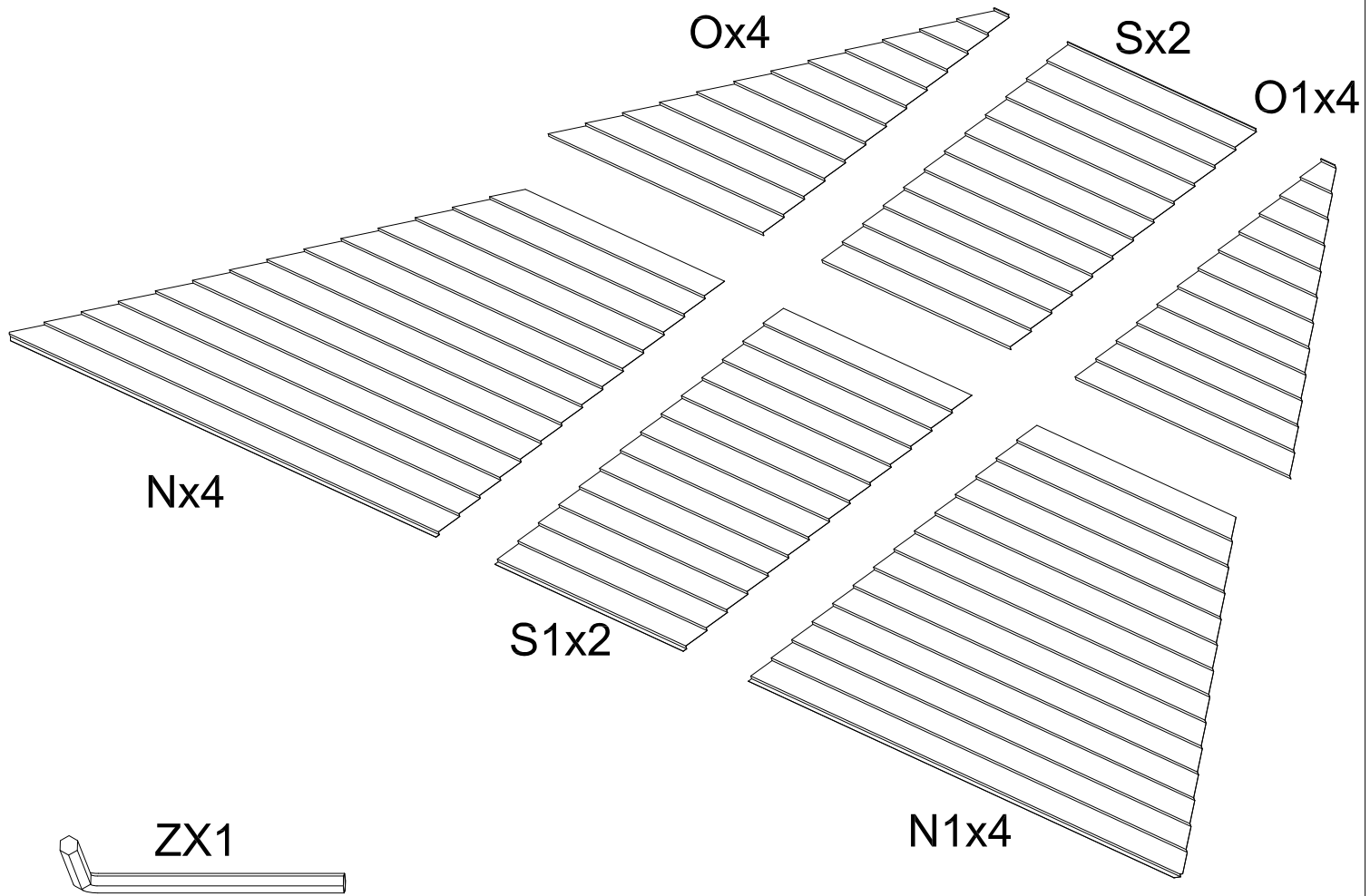
Kx1



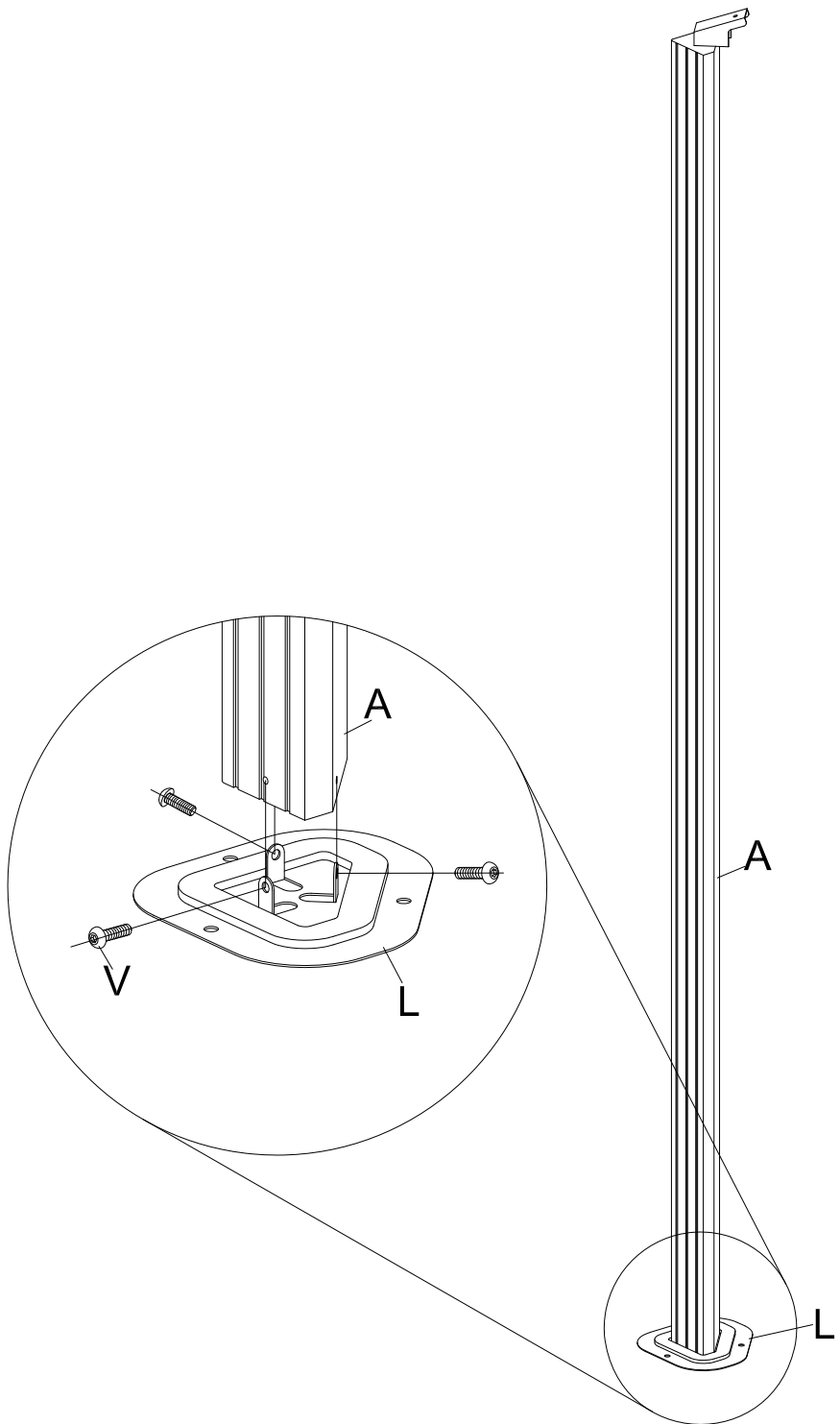
M1x6



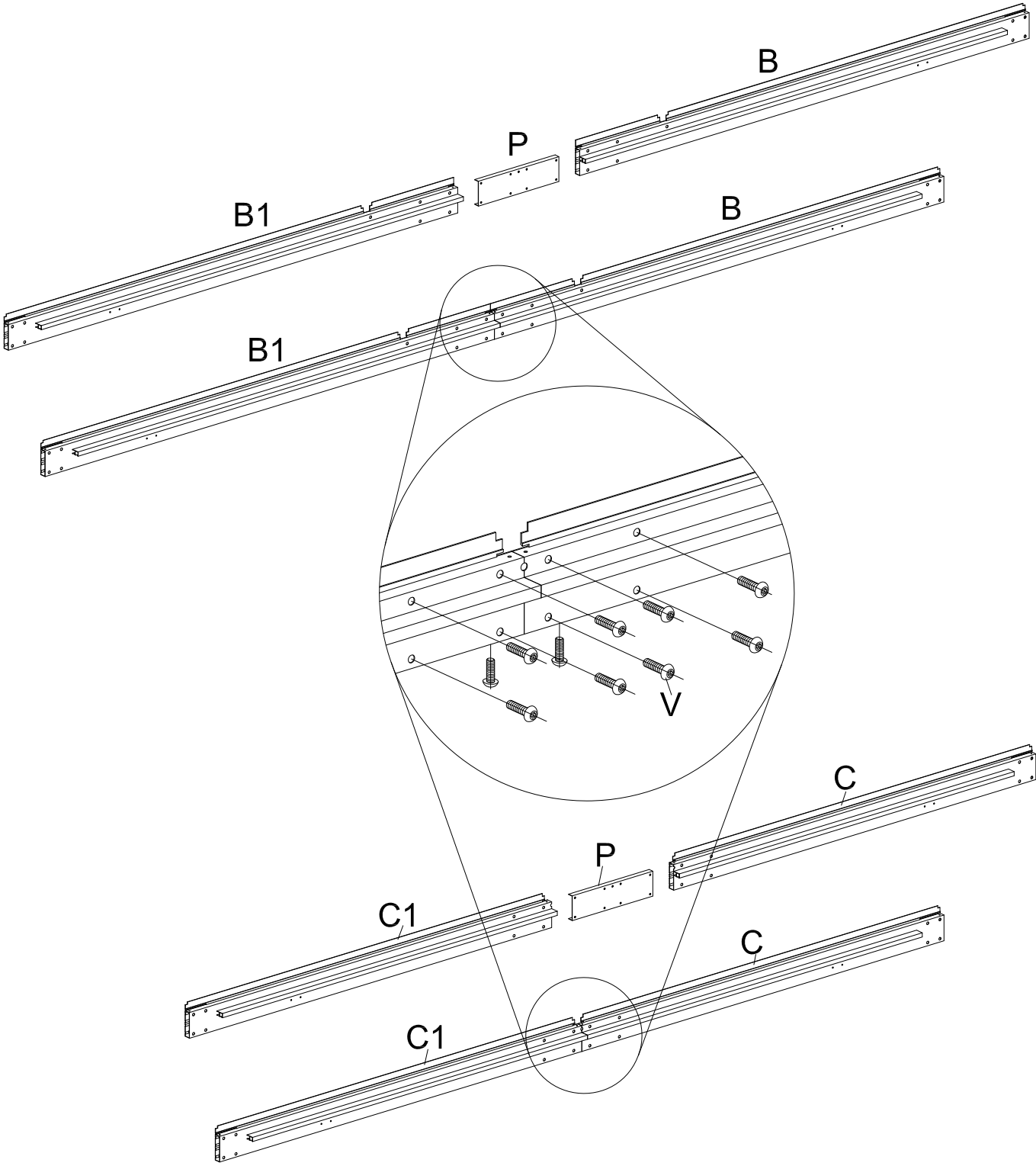
K1x1



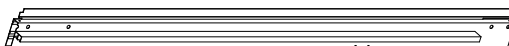
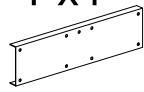
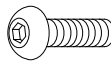
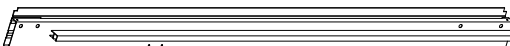


# step-1

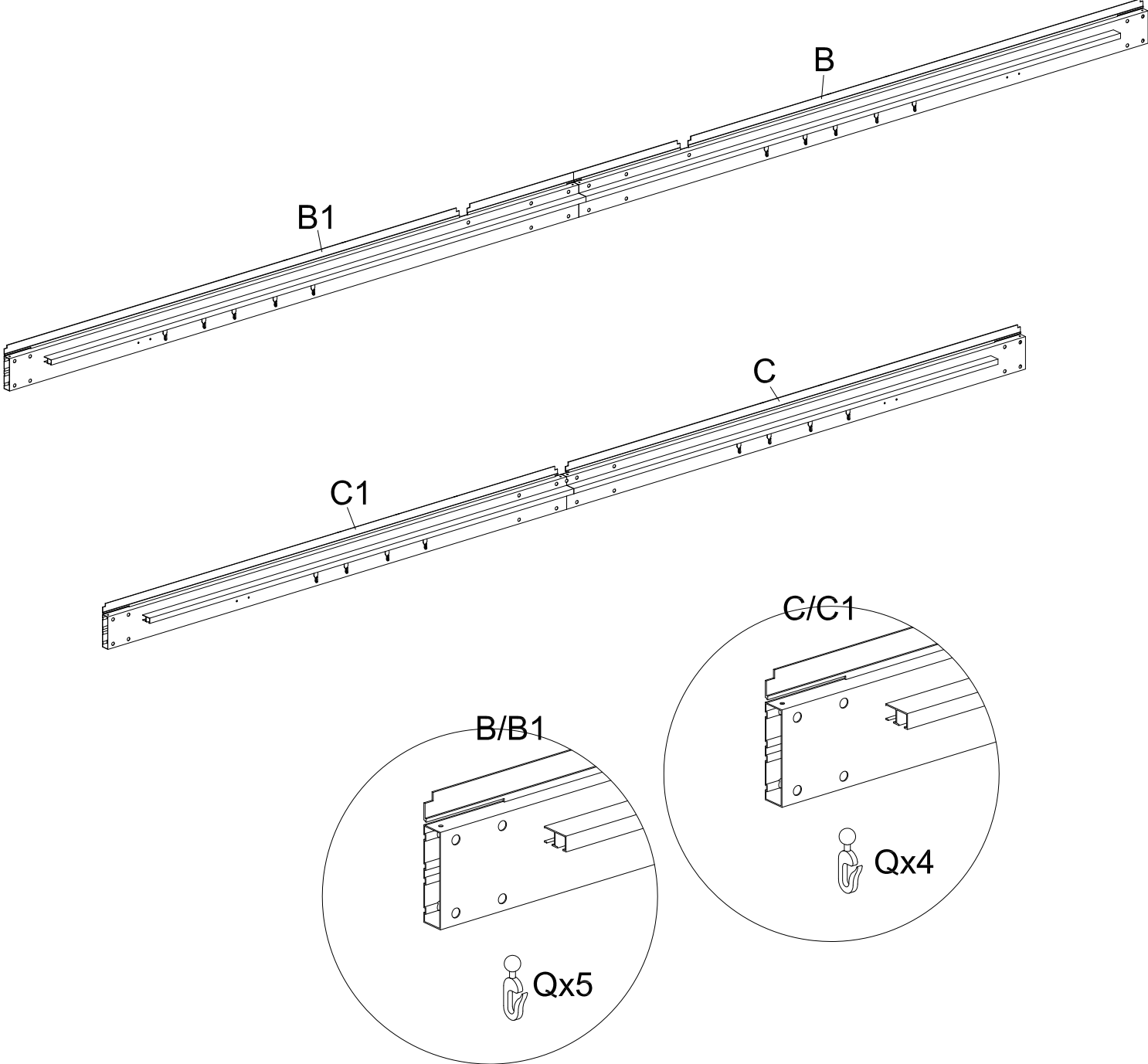


# step-2



-  Bx2
-  B1x2
-  Cx2
-  Px4
-  Vx40
-  C1x2

# step-3



Qx36



Hook for mosquito net

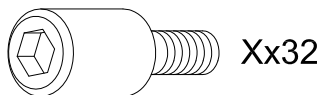
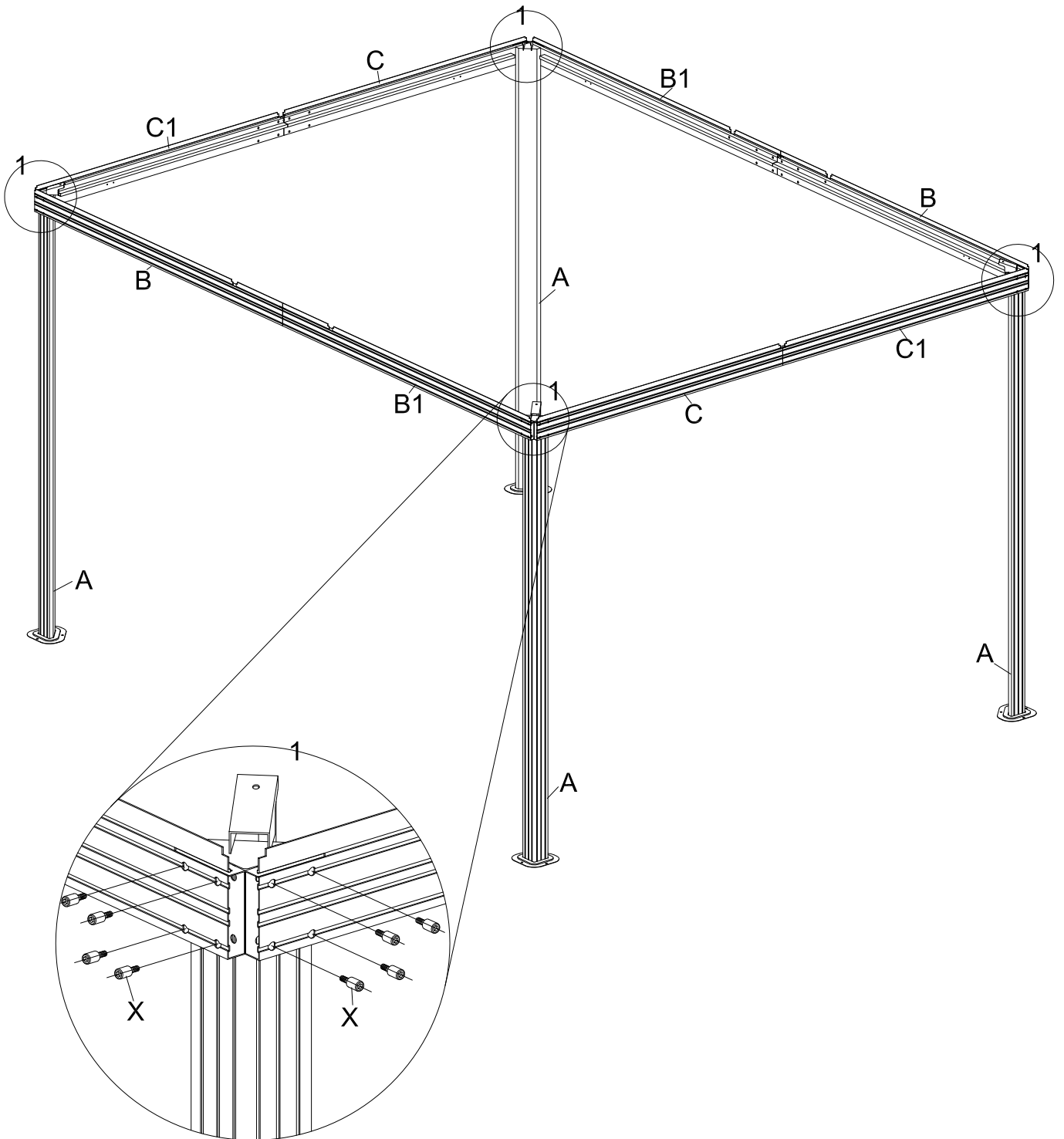


Qx36

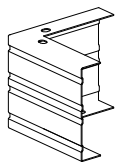
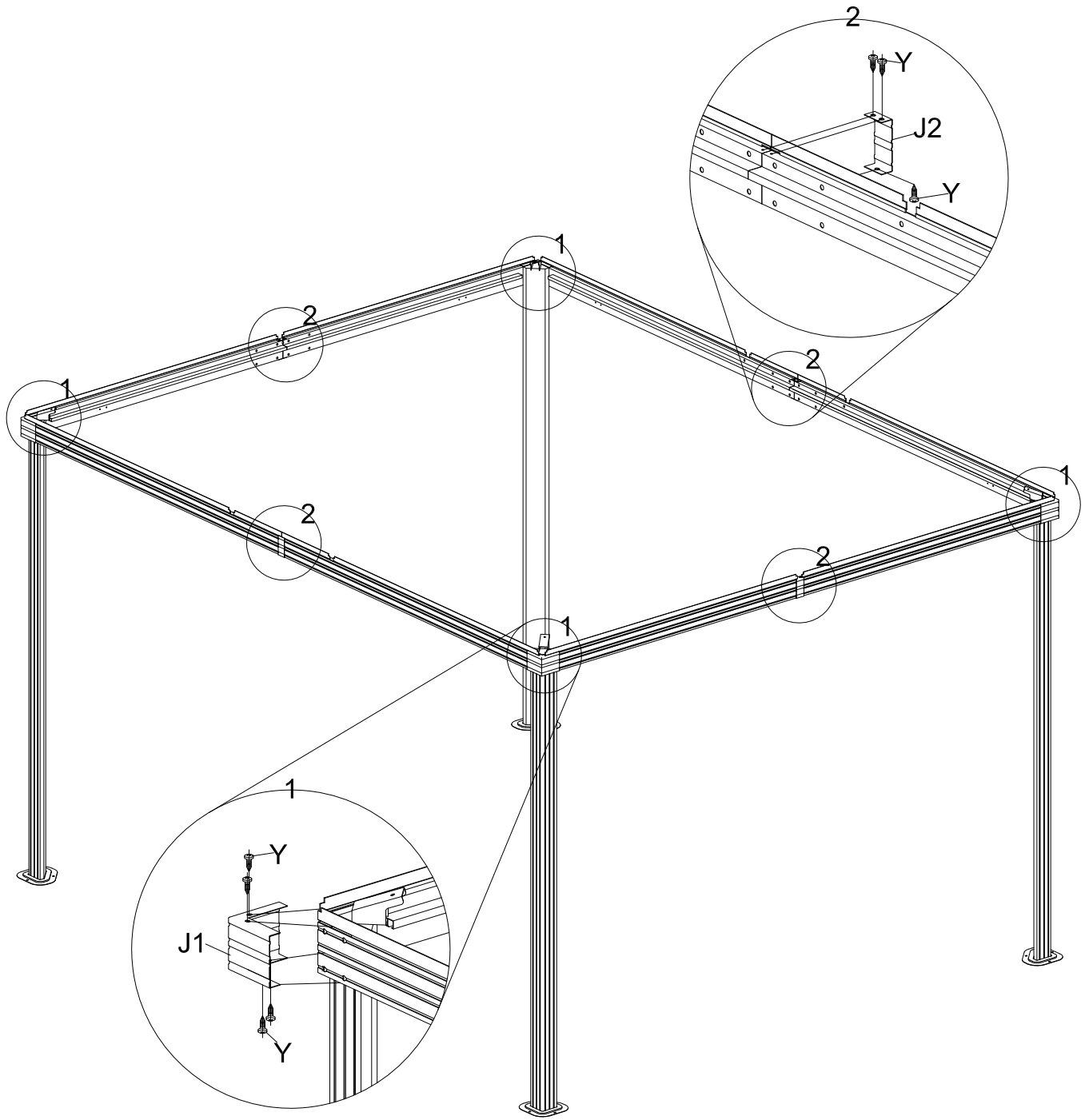


Hook for Sidewall

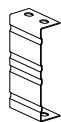
# step-4



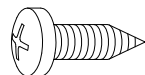
# step-5



J1x4



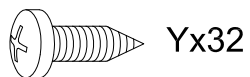
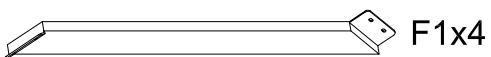
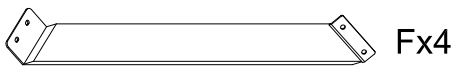
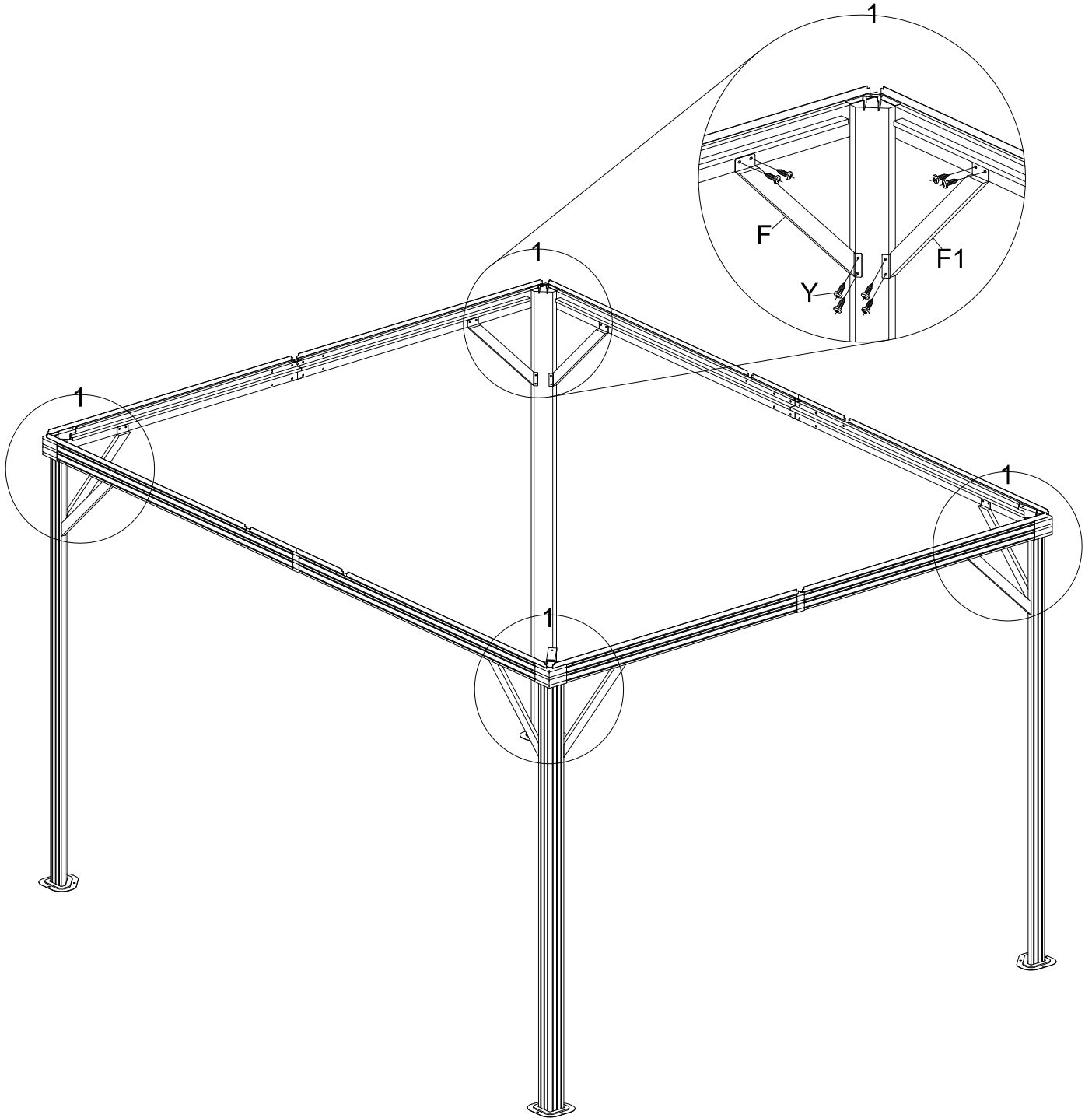
J2x4



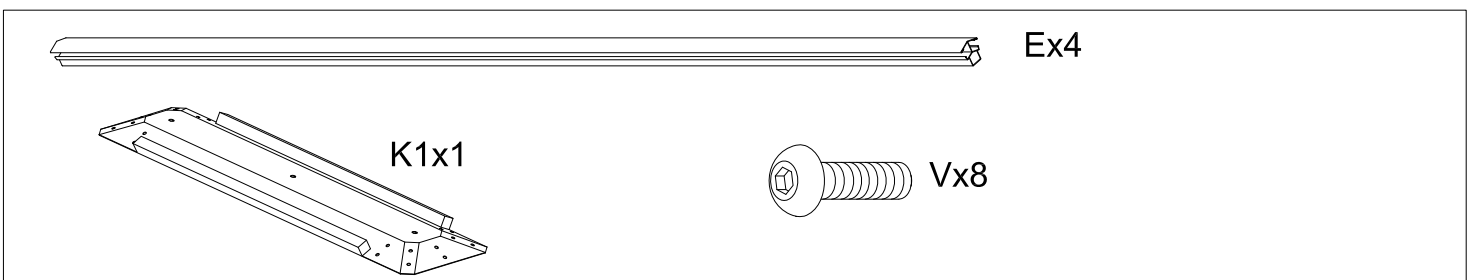
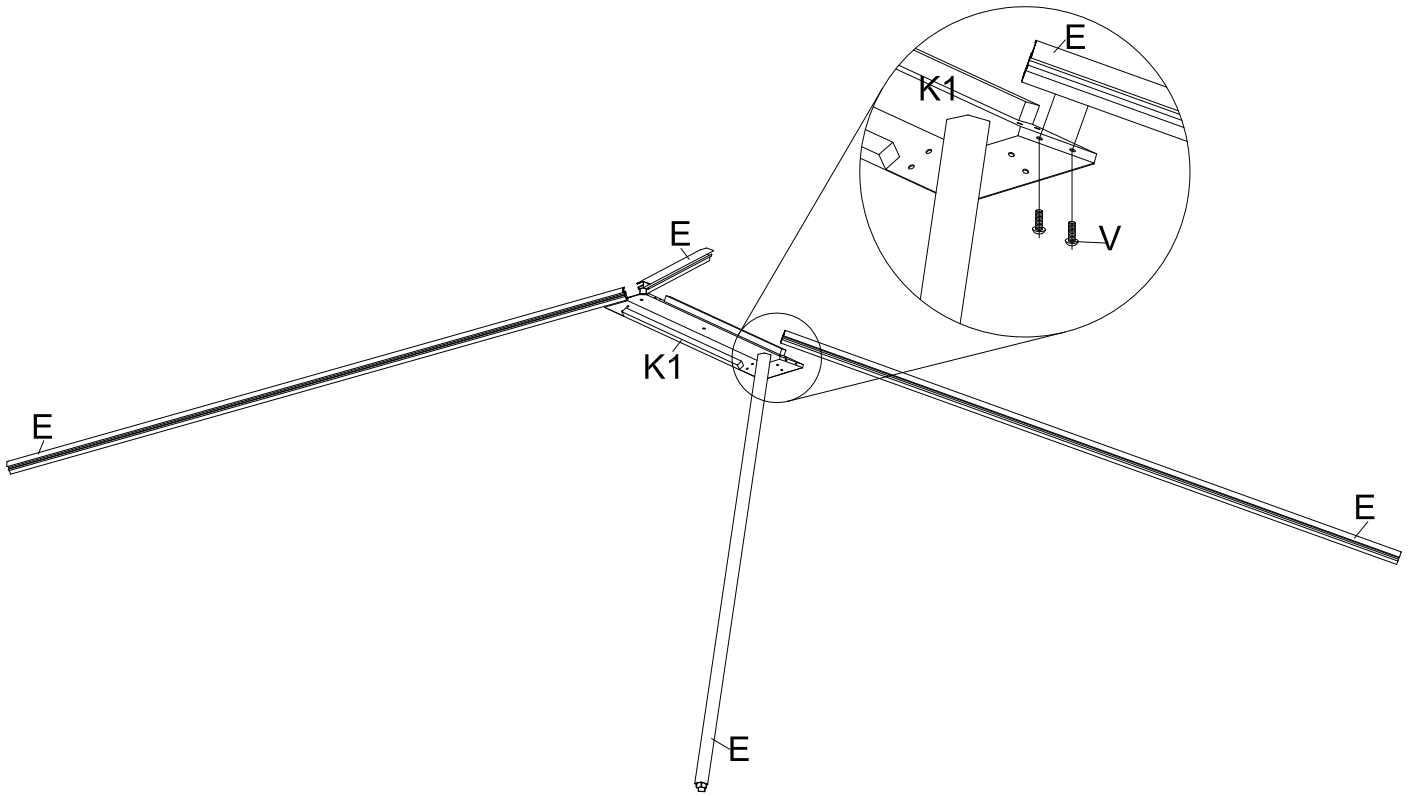
Yx28



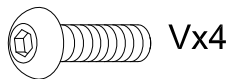
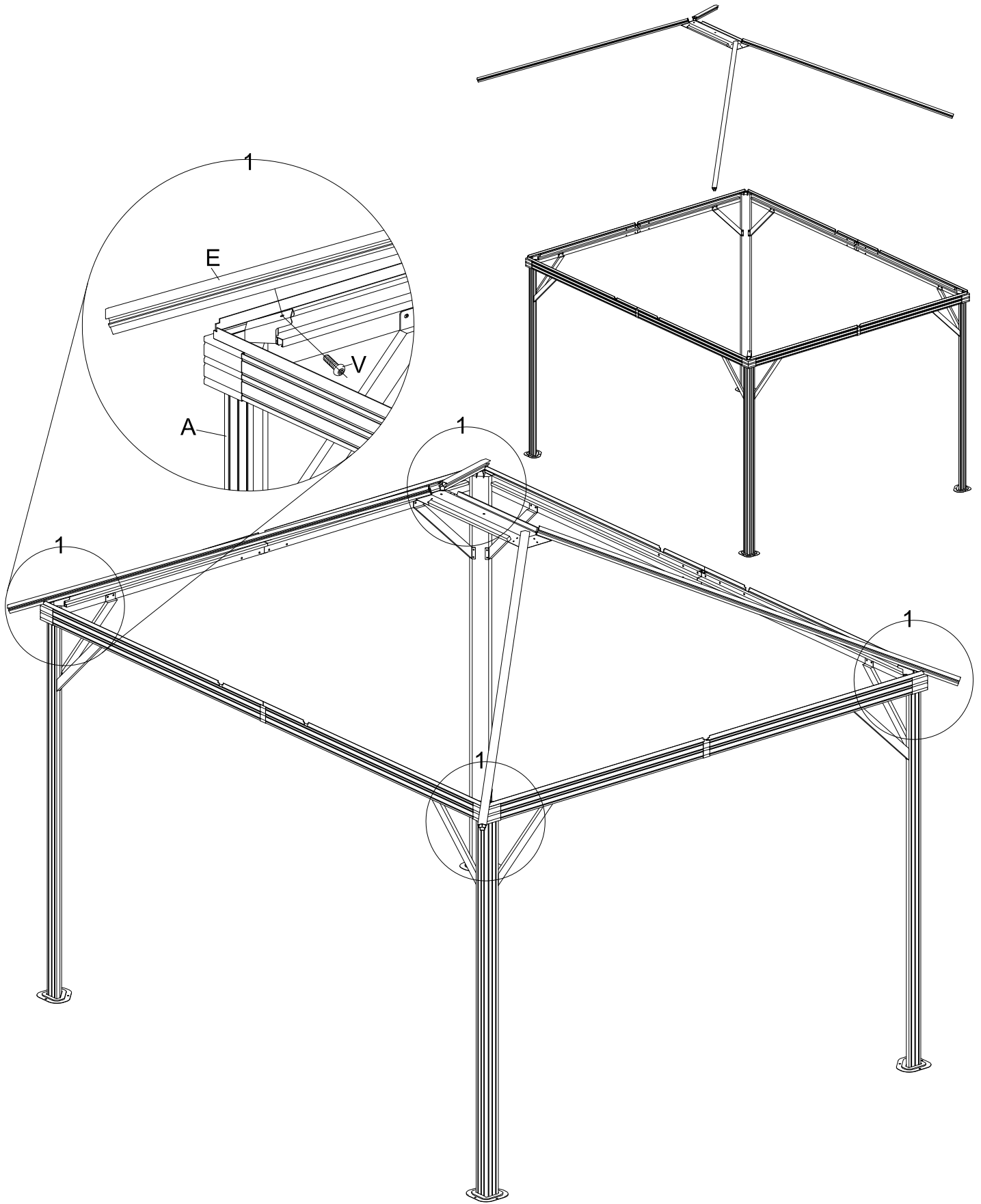
# step-6



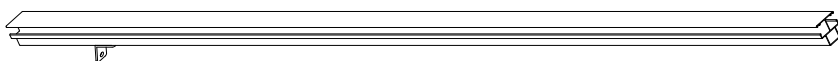
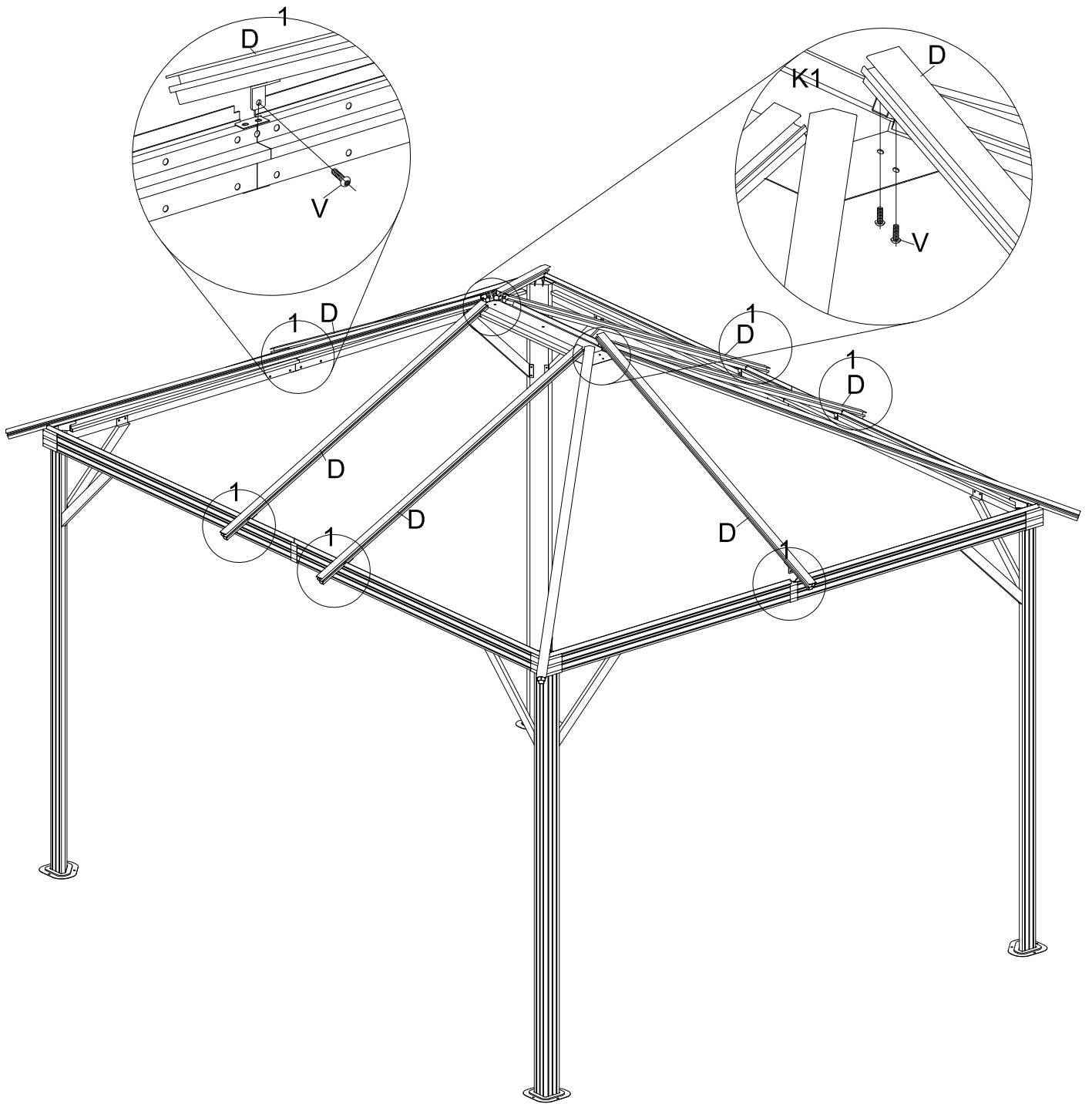
# step-7



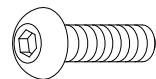
# step-8



# step-9

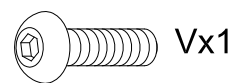
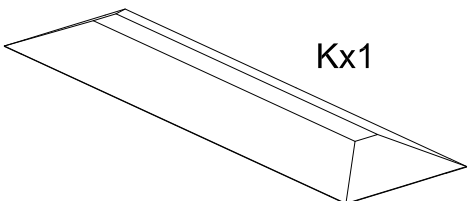
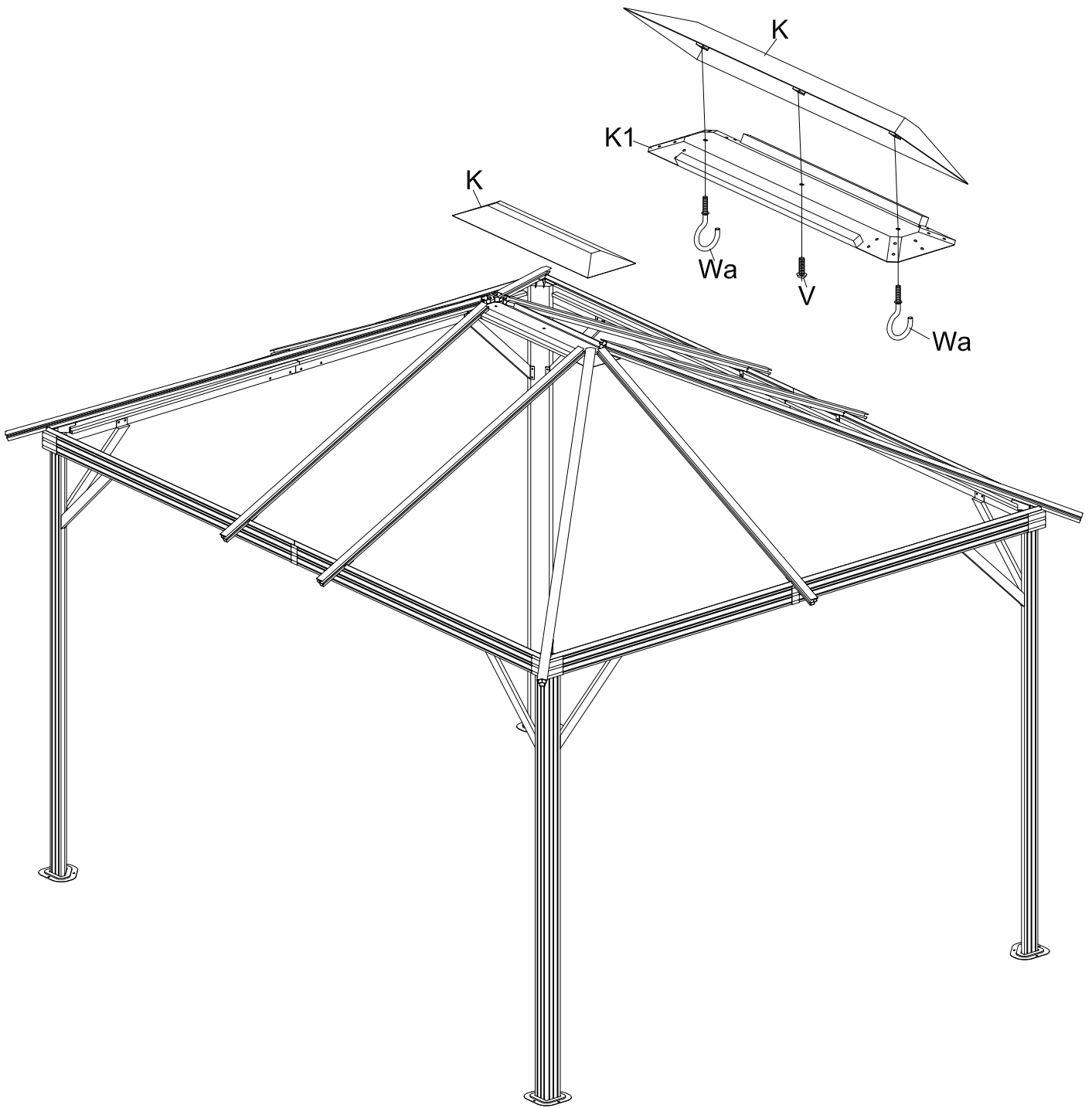


Dx6

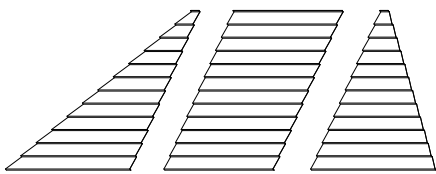
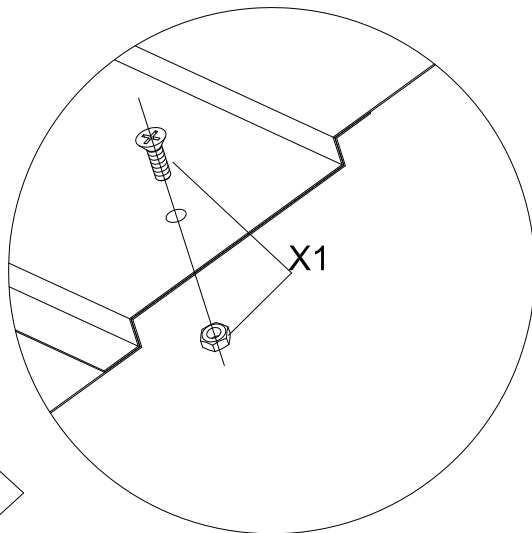
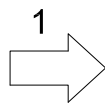
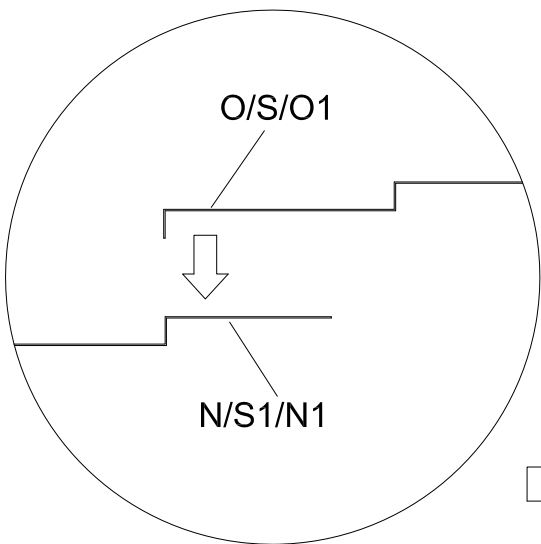
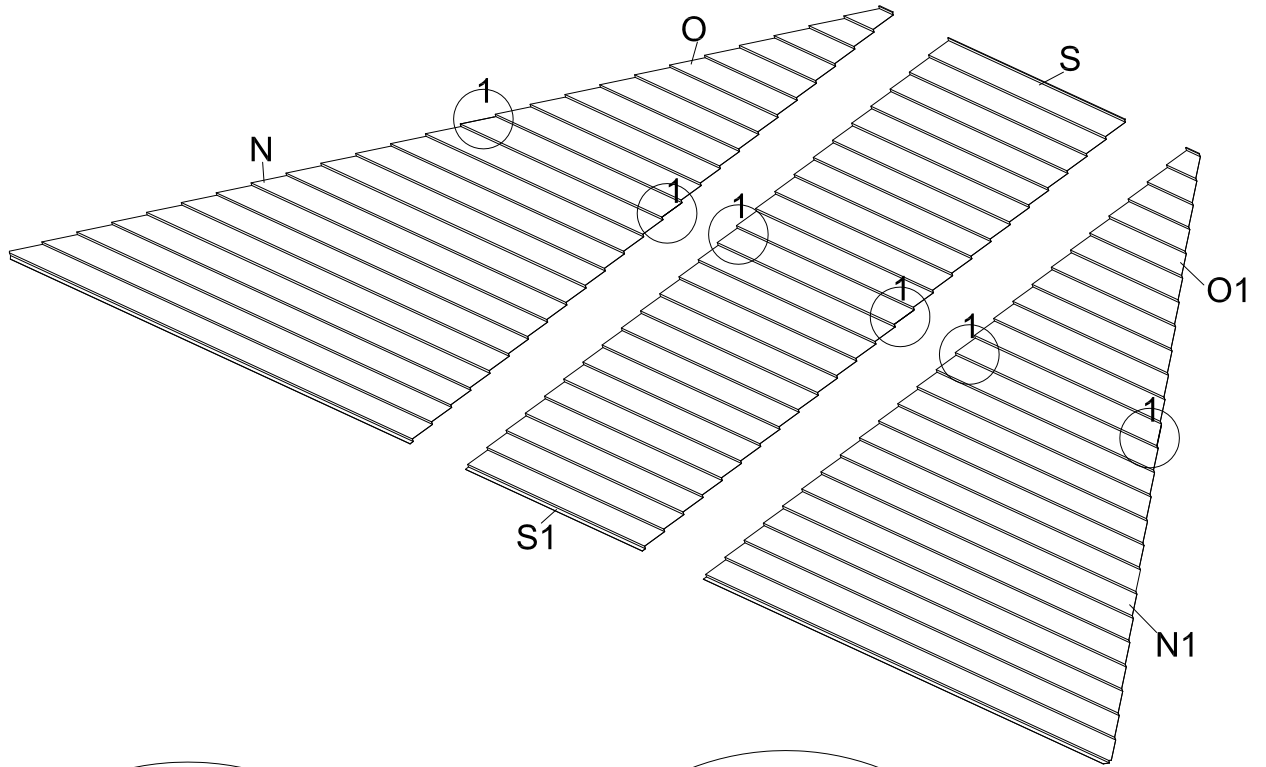


Vx18

# step-10



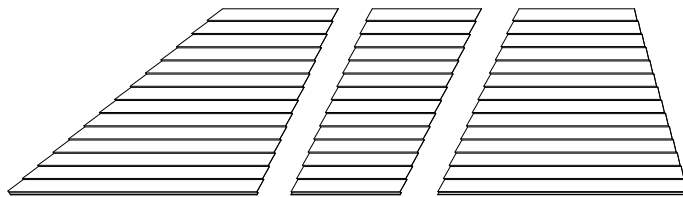
# step-11



Ox4

Sx2

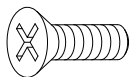
O1x4



Nx4

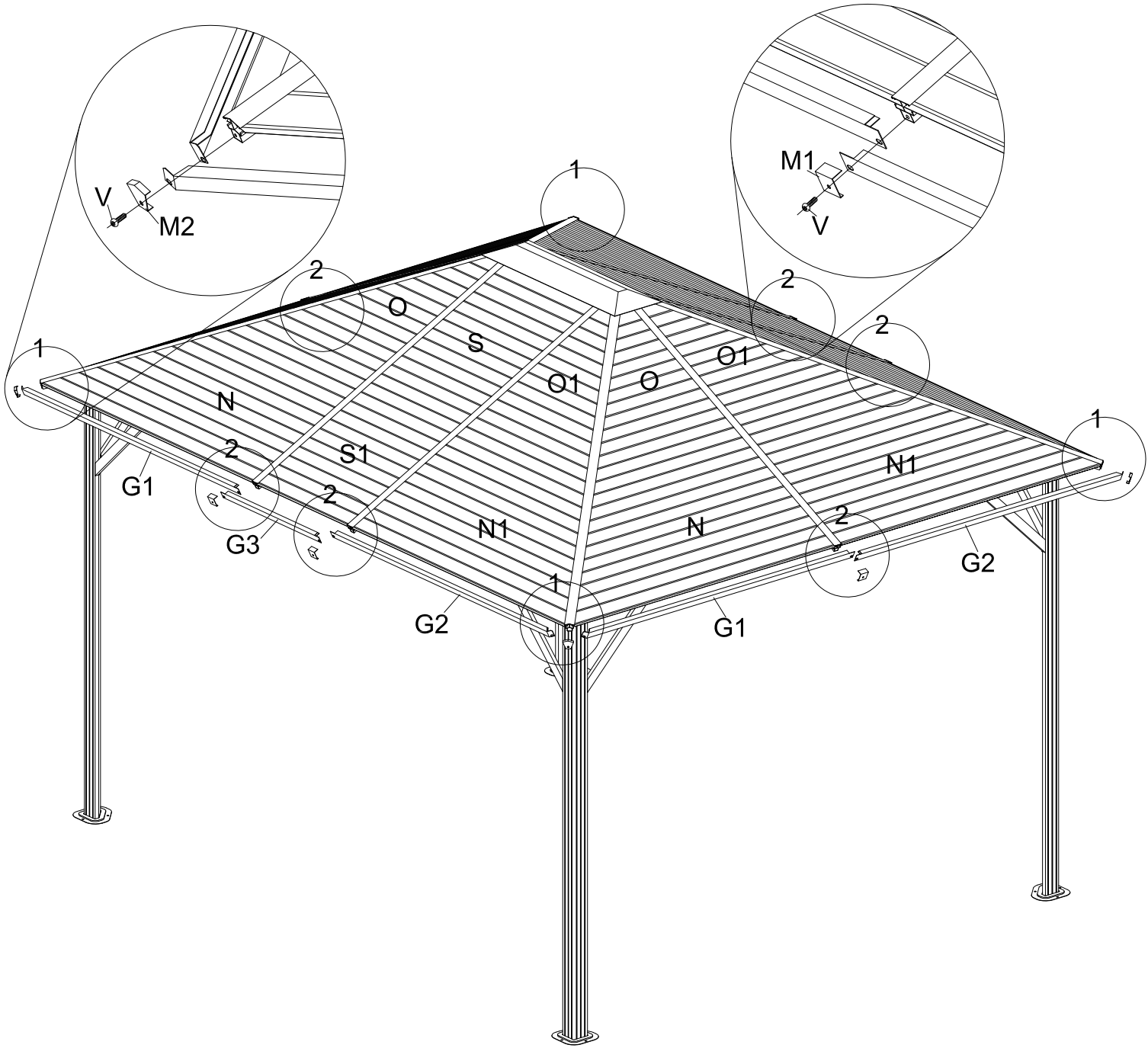
S1x2

N1x4



X1x20

# step-12



	G1x4		M2x4		M1x6
	G2x4				
	G3x4				Vx10

