



## 9pc Outdoor Patio Rattan Wicker Sofa Sectional & Chaise Lounge Furniture Set

Model # 01-0314



Manufacturer and seller expressly disclaim any and all liability for personal injury, property damage or loss, whether direct, indirect, or incidental, resulting from the incorrect attachment, improper use, inadequate maintenance, or neglect of this product.

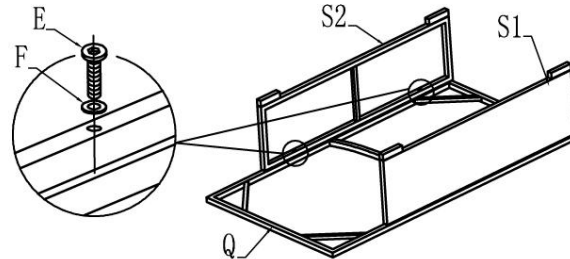
# ASSEMBLY INSTRUCTIONS



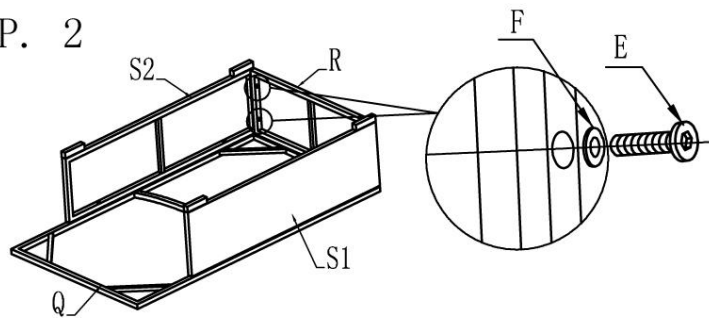
# Lounge Seat Assembly Instructions

	PART	QTY
Q		1
R		2
S1		1
S2		1
T1		1
T2		1
U		1
V		1
E		18
F		26
W		6
X		2
Y		2
D		1
Z		1

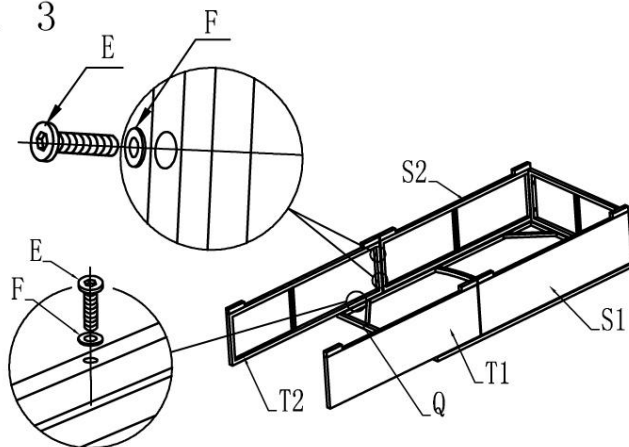
## STEP. 1



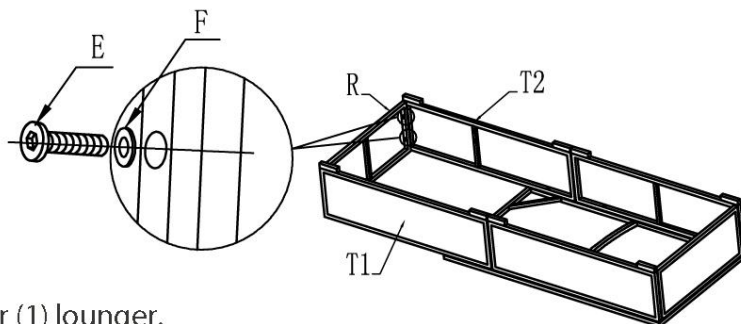
## STEP. 2



## STEP. 3

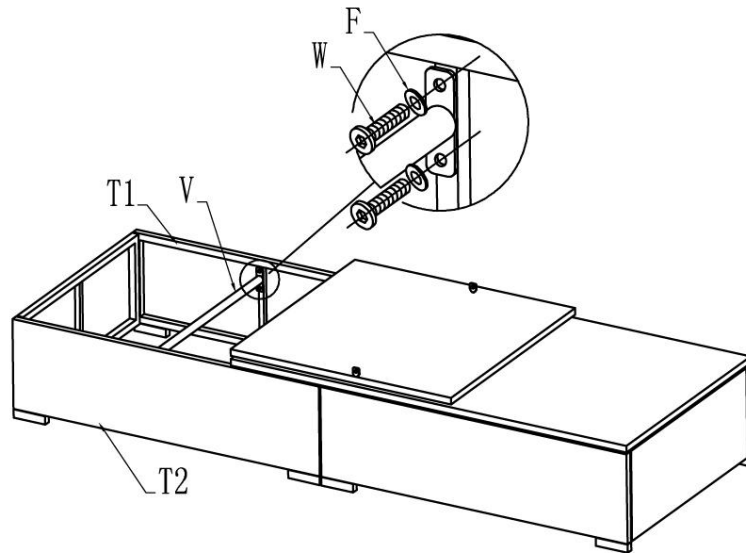


## STEP. 4

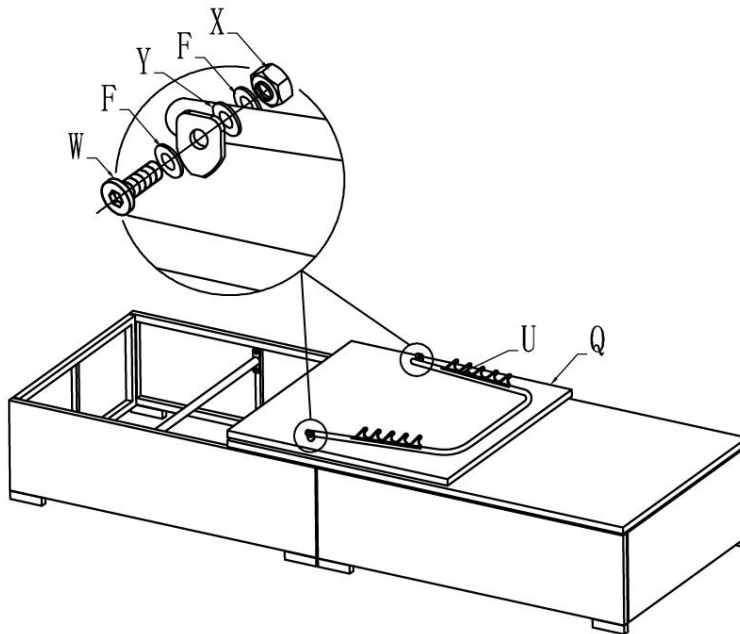


This is assembly instructions for (1) lounger.  
Repeat for additional lounger.

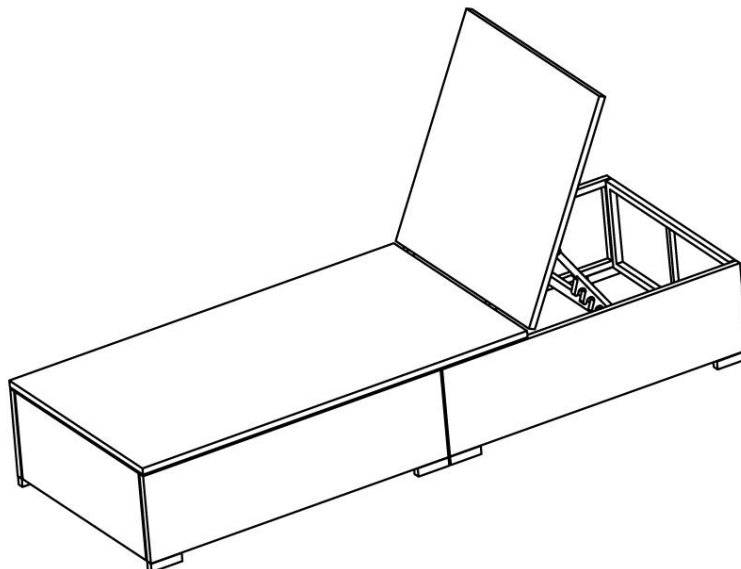
STEP. 5



STEP. 6



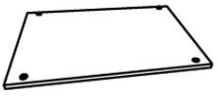

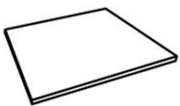



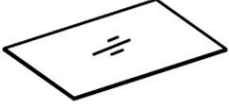
STEP. 7



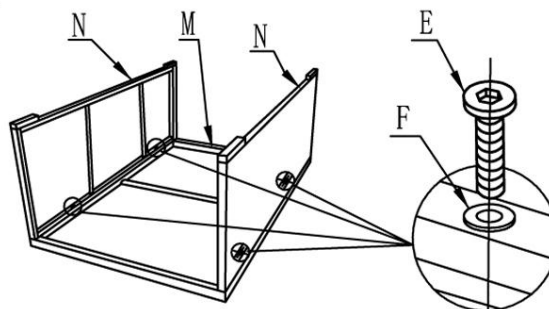


## Table Assembly Instructions

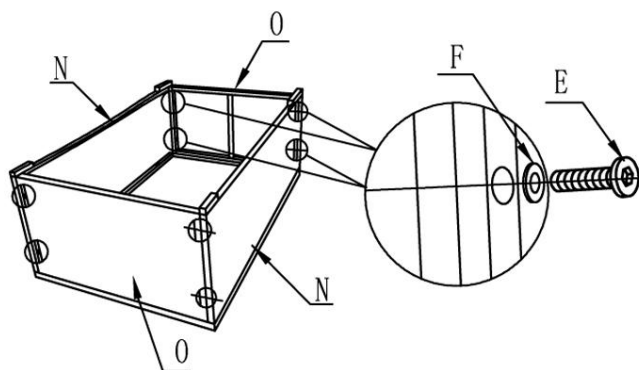
Hardware content:

	PART	QTY
M		1
N		2
O		2
E	 M6*35	12
F		12
G		1
P		1

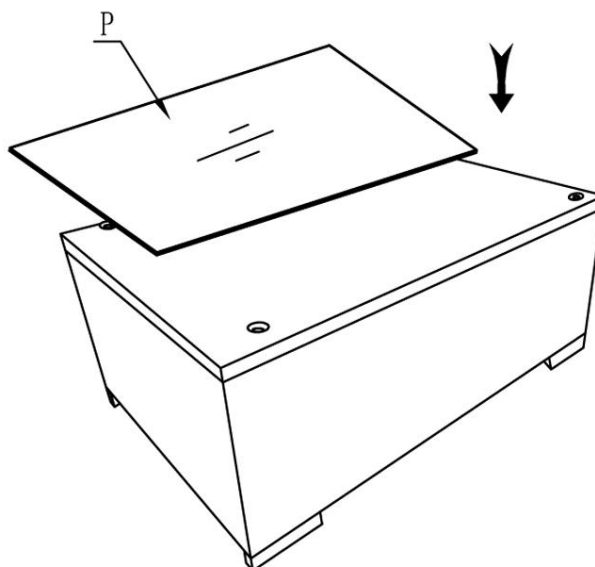
STEP. 1



STEP. 2

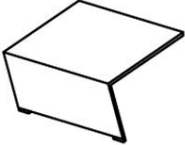







STEP. 3

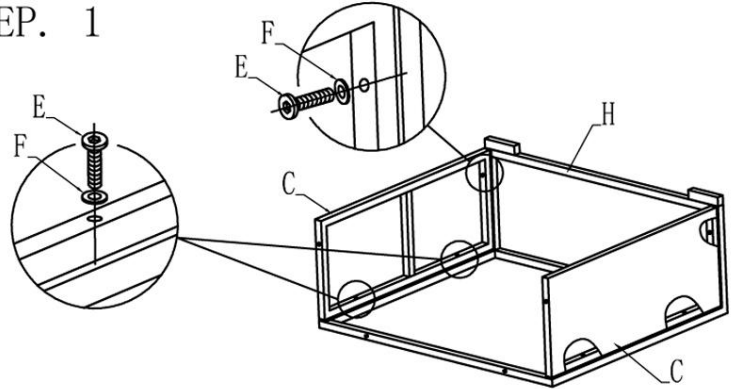




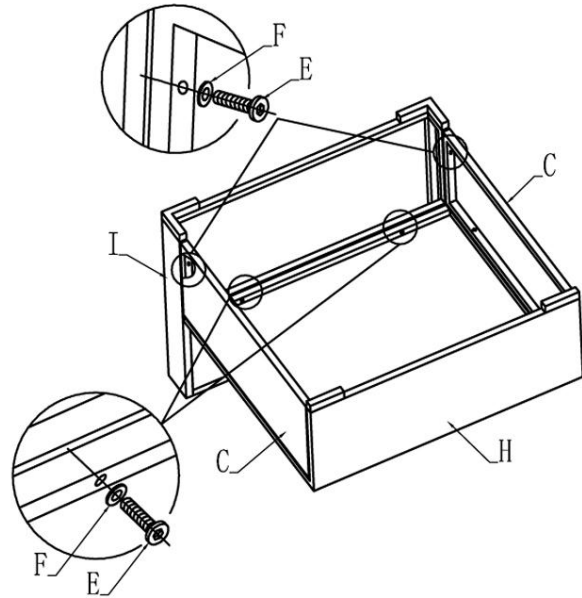
# Assembly Instructions for Chairs

	PART	QTY
H		1
I		1
C		2
E	 M6*35	10
F		10
G		1

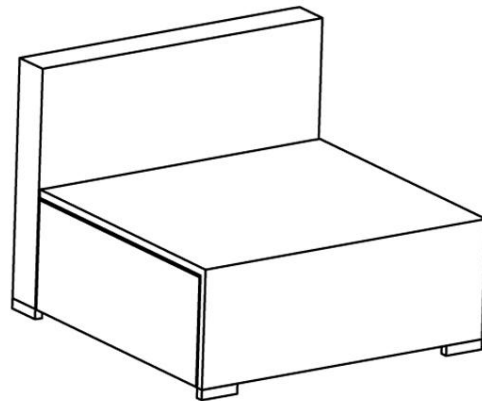
## STEP. 1



## STEP. 2



## STEP. 3

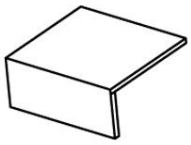
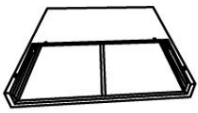

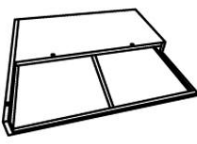





This is instructions for (1) chair.  
Repeat for additional chairs.

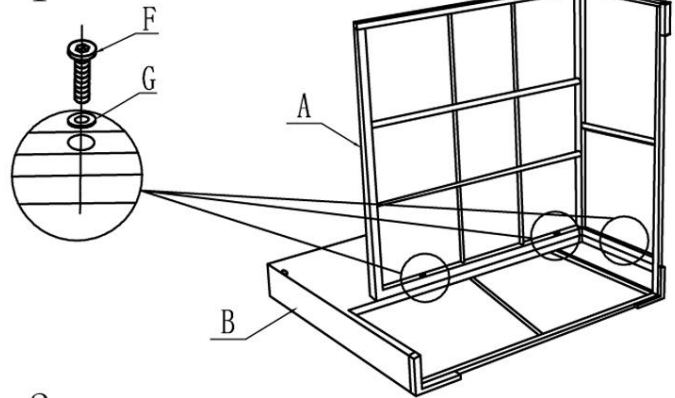


# Left Corner Chair Assembly Instructions

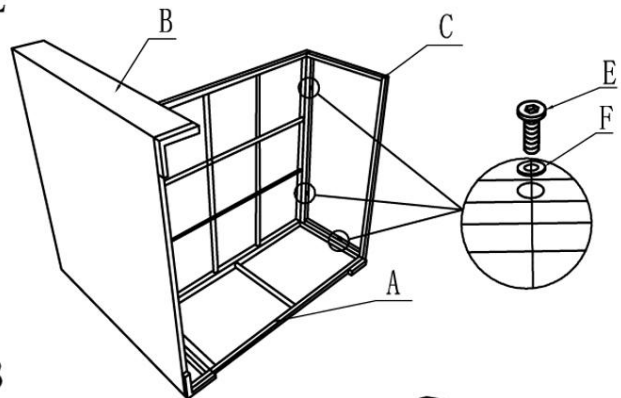
Hardware content:

	PART	QTY
A		1
B		1
C		1
D		1
E	 M6*35	11
F		11
G		1

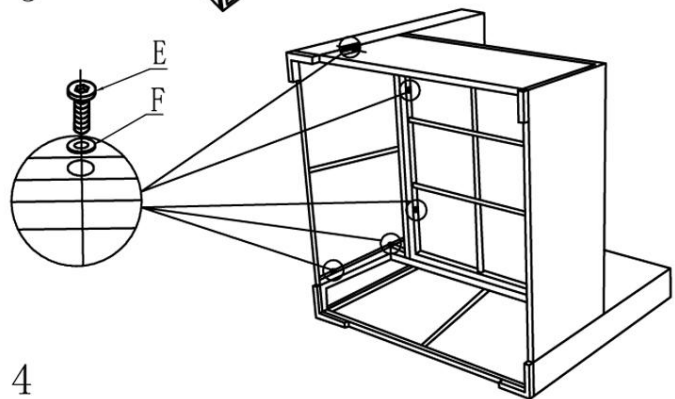
STEP. 1



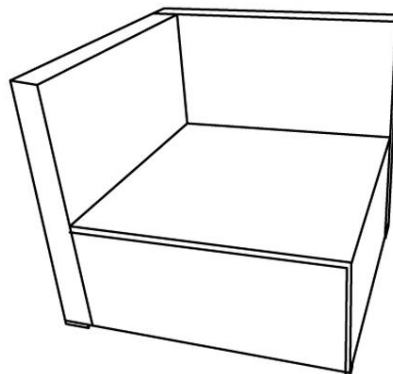
STEP. 2



STEP. 3



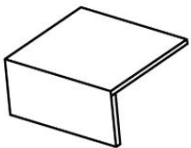
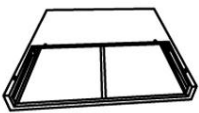





STEP. 4



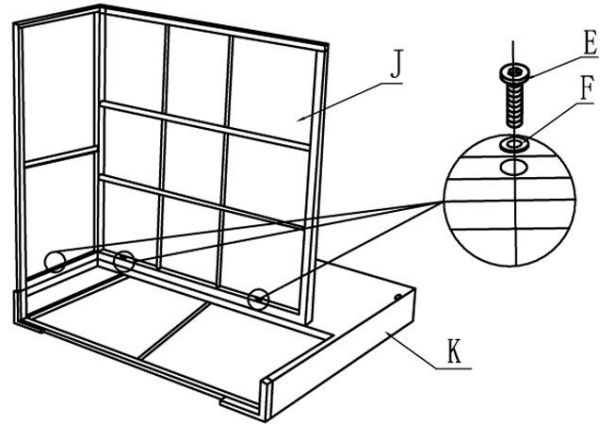


# Right Corner Chair Assembly Instructions

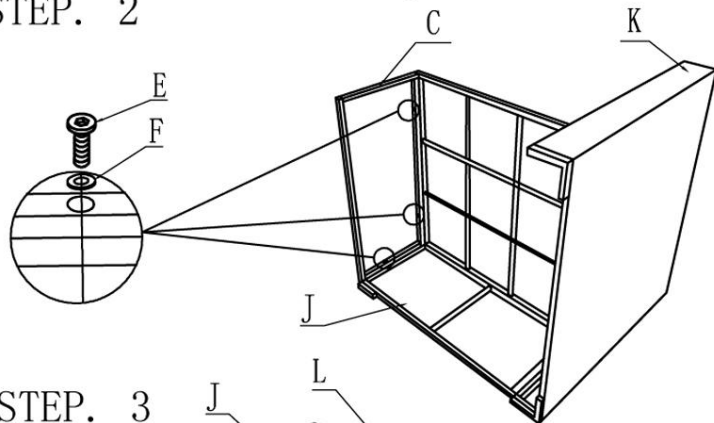
Hardware content:

	PART	QTY
J		1
K		1
L		1
C		1
E	 M6*35	11
F		11
G		1

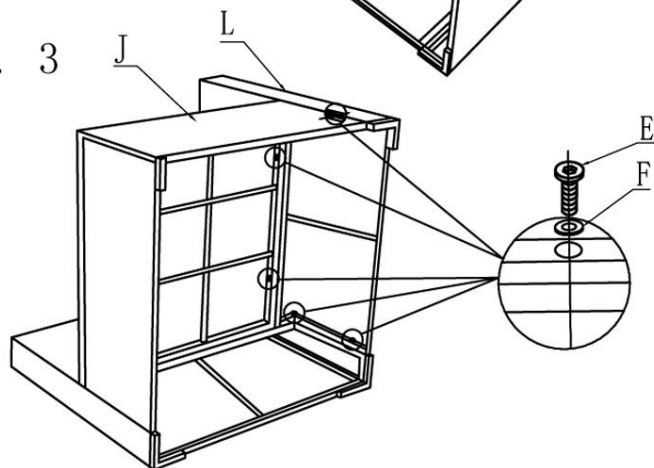
STEP. 1



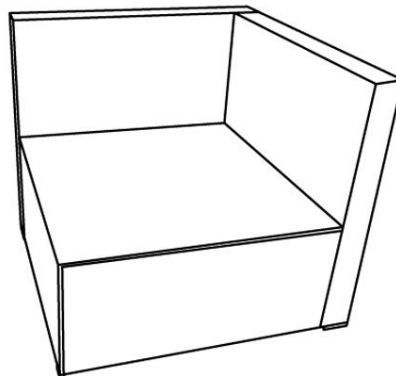
STEP. 2



STEP. 3



STEP. 4



Contact Us!  
 We are here to help!  
[customerservice@aosom.com](mailto:customerservice@aosom.com)  
 or 1-877-644-9366