

DKC

DISTINCTIVE KITCHEN CABINETS

SEMI-CUSTOM KITCHEN & BATH CABINETS

Product Specification Guide



METROPOLITAN
S E R I E S



DISTINCTIVE KITCHEN CABINETS

METROPOLITAN SERIES SEMI-CUSTOM KITCHEN & BATH CABINETS

Limited Lifetime Warranty

Ideal Cabinetry® (warrantor) warrants to the original consumer purchaser, that all products manufactured or supplied by warrantor will be free from defects in material and workmanship. This warranty is for your lifetime as long as you own the cabinetry, on product used for Residential Purposes only and is not transferable to subsequent owners. Proof of Purchase is required.

This warranty does not cover damage resulting from normal wear, accident, misuse or lack of reasonable and necessary maintenance and service; nor does it warranty the improper installation or unauthorized repair, alteration, or modification or defects in the product when the product is installed. This warranty is limited to the repair or replacement of the defective part at the sole discretion of warrantor. Warranty is limited to Ideal Cabinetry branded products excluding all electrical components: Excluded items may carry separate warranties as provided directly by the manufacturer of these products.

It is our option to provide repair parts or replace with functionally equivalent product. Return of product may be required for replacements. Such repair parts or replacement shall be at warrantor's expense, but customer shall bear all other expenses, including, but not limited to, cost of removal, transportation, re-installation, communication and any special service required by customer such as, overtime labor, etc.

Natural woods and finishes vary in color, grain pattern and exhibit color changes over time. Cabinets may darken or lighten with age due to exposure to certain environmental conditions including but not limited to sunlight, moisture, household cleaners, smoke, etc. Painted cabinets may show cracking at seams. These variations are considered the natural characteristics of the material and finishes and are not covered under this warranty.

In the event of a warranted product performance issue, submit request including proof of purchase documentation, specific description of warranty issue (include photos) in writing to:

Warranty Department
210 Century Boulevard
Bartow, FL 33830

Due to nature of materials and finishes Ideal Cabinetry cannot guarantee warranty replacement will be an exact match.

Ideal Cabinetry reserves the right to alter design, specifications and material without obligation to make changes to product previously manufactured.

EXCEPT TO THE EXTENT PROVIDED BY APPLICABLE LAW, ALL IMPLIED WARRANTIES, INCLUDING WARRANTIES OF MERCHANTABILITY AND FITNESS FOR A PARTICULAR PURPOSE, ARE LIMITED IN DURATION TO THE SHORTER OF THE PERIOD PROVIDED BY LAW OR THE PERIOD OF THIS WARRANTY, AND UNDER NO CIRCUMSTANCE SHALL IDEAL CABINETRY BE LIABLE FOR INCIDENTAL OR CONSEQUENTIAL DAMAGES SUSTAINED IN CONNECTION WITH THE PRODUCT. THE EXPRESS WARRANTY ABOVE CONSTITUTES THE ENTIRE WARRANTY AND IS IN LIEU OF ALL OTHERS EXPRESSED OR IMPLIED.

Some states do not allow the exclusion or limitation of incidental or consequential damages, or limitation on how long an implied warranty lasts, therefore, the above limitations or exclusions may not apply to you. This warranty gives you specific legal rights, and you may also have other rights, which vary from state to state.

INDEMNITY

Ideal Cabinetry shall not be liable for either its failure to perform or its delays in performance hereunder arising out of or resulting from causes beyond its control, including but not limited to, acts of God, acts of Representation, acts of Government, wars, fires, floods, epidemics, quarantine, strike, freight embargoes, weather or default by suppliers due to any such causes.

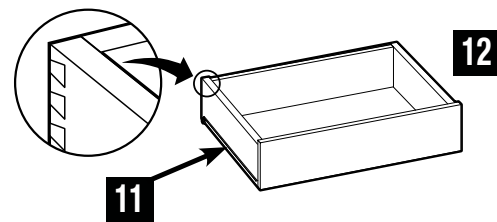
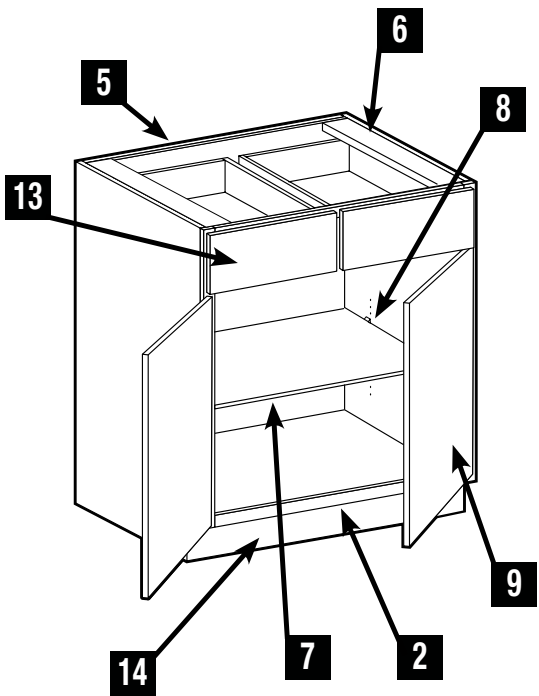
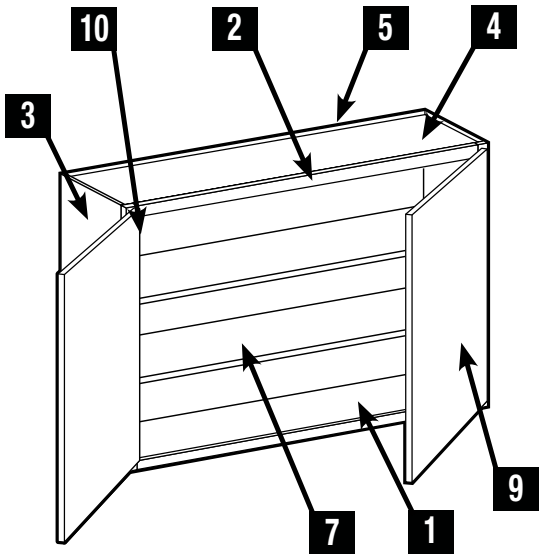
TABLE OF CONTENTS



Cabinet Construction	2
Door Styles.....	3
Customizing Options.....	4
Wall Cabinets & Cover Panels.....	5-12
Base Cabinets & Cover Panels	13-20
Tall Cabinets & Cover Panels	21-24
Vanity Cabinets.....	25-27
Cover Panels	28-29
Accessories	30-33
Decorative Hardware.....	34-35
Cabinet Frame & Opening Dimensions	36-38
Cabinet Front Only Availability Guide.....	39

PLEASE NOTE: Line drawings are artistic representations of products for general dimensioning purposes. These should not be relied upon for accurate product appearance. Please consult the website or a designer if you have any questions or specific design requirements.

Standard Cabinet Construction



1	INTERIOR	Natural birch vinyl laminate provides a durable, wipe clean finish.
2	FACE FRAME	1½" wide x ¾" thick painted solid hardwood, pocket screwed
3	END PANELS	½" thick CARB2 plywood, exterior vinyl laminate is color matched to face frame.
4	FLOOR & CEILING	½" thick CARB2 plywood, both sides captured by end panels.
5	BACK PANELS	½" thick CARB2 plywood with natural birch vinyl laminate interior and raw exterior. The 'clipped' back panels on Wall Angle and Easy Reach Corner cabinets will be ¼".
6	"I-BEAM" SUPPORTS	½" thick CARB2 plywood, full depth braces provide stability and support for countertop attachment.
7	ADJUSTABLE SHELVES	¾" thick CARB2 plywood with natural birch vinyl laminate both sides with matching edgebanding. Base and wall adjustable shelves are full depth.
8	SHELF SUPPORTS	Clear, high strength plastic with locking top tab to prevent shelf tip. Provides easy shelf adjustment.
9	DOORS	Contemporary, full-overlay doors available in a durable melamine finish. See page 2-5 for details.
10	HINGES	Fully concealed 110° opening Soft Close hinges with 6-way adjustment for ease of alignment.
11	RUNNERS/GLIDES	Drawers feature smooth gliding, full extension, ball bearing runners with Soft Closing shocks that engage when drawer is 1" from closed. Interior roll out trays have epoxy coated side mount runners. Both are rated for 100lb static and 75lb dynamic loads.
12	DRAWERS & ROLL-OUT TRAYS	5/8" thick finger jointed hardwood four sided dovetail box construction, finished with a clear topcoat and a ¼" thick captured plywood floor.
13	DRAWER FRONTS	Contemporary, full-overlay drawers available in a durable melamine finish. The top drawer front is 8" high & the bottom two drawer fronts are 10 ½" high See page 2-5 for details.
14	INTEGRAL TOE KICK	½" thick plywood secured between end panels. Provides solid backing for installation of Toe Kick Filler Strip (TKFS8) or other materials such as ceramic, vinyl, etc.



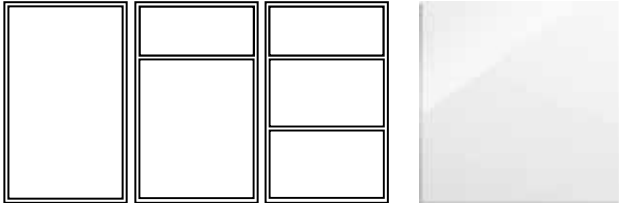
Member **NKBA**



Specifications subject to change without notice.

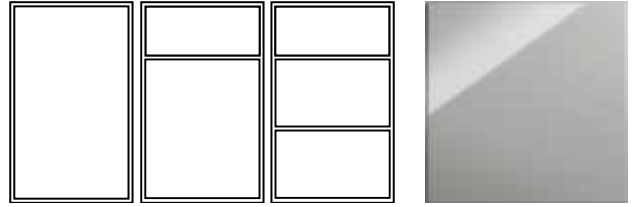
Flat Panel Door Styles

Manhattan High Gloss White (MHW)



- 3/4" thick melamine faced MDF with scratch resistant high gloss lacquer finish
 - 2x as scratch resistant as thermofoil (PVC/PET)
 - 6x more scratch resistant than acrylic
- Full Overlay door style, on a solid hardwood face frame
- Edges sealed with color-matched PVC edge banding
- Doors are mounted on a white painted face frame
- 6-way adjustable, soft-close concealed hinges
- Decorative hardware required

Manhattan High Gloss Metallic (MHM)



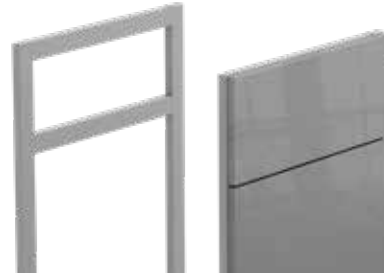
- 3/4" thick melamine faced MDF with scratch resistant high gloss lacquer finish
 - 2x as scratch resistant as thermofoil (PVC/PET)
 - 6x more scratch resistant than acrylic
- Full Overlay door style, on a solid hardwood face frame
- Edges sealed with color-matched PVC edge banding
- Doors are mounted on a gray painted face frame
- 6-way adjustable, soft-close concealed hinges
- Decorative hardware required

FACE FRAMES AND DOOR FINISHES

Our modern Metro cabinetry has the European look with traditional craftsmanship. The streamlined doors will come on a semi-custom built box with a face frame in one of three complimentary colors. Pages 2-5 you'll find which face frame colors correspond to that style.



White Face Frame



Gray Face Frame

FINISHED ENDS OPTIONS



1. **Cabinet box sides** are manufactured to color match the cabinet's face frame.

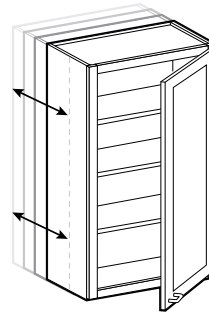


2. **Cover Panels** are 3/4" thick and will match the doors/drawers. Cover Panels are 1" wider and are designed to align flush with the front of the door/drawer and create the look of an inset doorstyle. They are available for base, wall, and tall cabinets and can be found on pages 28-29. Cover Panels must be ordered separately for field modification and installation.

Customizing Options

CUSTOM DEPTH

CABINET TYPE	CUSTOM DEPTH MIN-MAX
12" DEEP WALL	5" to 15"
24" DEEP WALL	16" to 23"
STANDARD BASE	9" to 23"
BASE DRAWER*	15" to 23"
TALL UTILITY/LINEN	9" to 23"



- Available on standard cabinet types in 1" depth increments

* Base cabinets with drawers that are customized from 15" to 23" deep will include working drawers. 9" to 14" deep cabinets will have no drawer and a false drawer front.

* Design and Order Tip: If a cabinet needs to be a custom depth, the depth modification needs to be done before the cabinet order is placed. This modification can be done in 2020 design or in the shopping cart on the website.



The use of full height base cabinets and drawer stacks will help the kitchen to achieve the true metropolitan look. Use the full height cabinets as sink bases, cooktop bases and more!



Using cover panels on the sides, top and bottom of the wall cabinet and waterfall countertops on the base cabinets will create an inset door look in your new kitchen. Using horizontal hardware placement completes the look!



Give the kitchen a true metropolitan look by combining full height doors and drawer bases, versus standard drawer and door cabinets. Also simply installing the hardware horizontally on all cabinets can complete the look!

WALL CABINET CODING

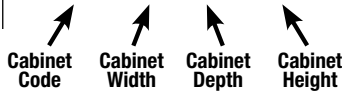
STANDARD (12" DEEP)

W 30 30



REFRIGERATOR (24" DEEP)

W 36 24 18



- Standard wall cabinets are 12" deep. Refrigerator wall cabinets are 24" deep.
- Cabinet depth does not include door thickness
- Standard cabinet exterior is color matched to face frame. Cover panels that match the door finish are optional.
- Cover Panels are required if the cabinet will be on the end of a run or exposed in any way.
- Soft close hinges

15" High Double Door

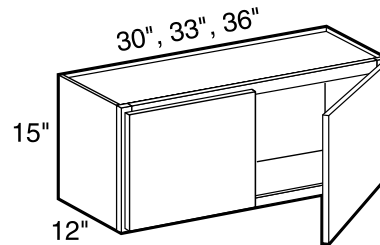


CUSTOM DEPTH

W3015

W3315

W3615



- No adjustable shelf
- **CUSTOM DEPTH: 5" to 15" deep**

12" High Double Door

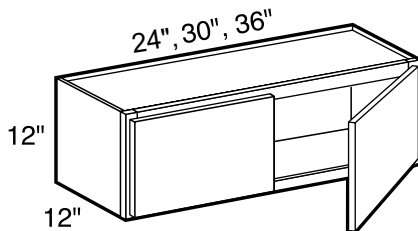


CUSTOM DEPTH

W2412

W3012

W3612



- No adjustable shelf
- **CUSTOM DEPTH: 5" to 15" deep**

15" High x 24" Deep Double Door

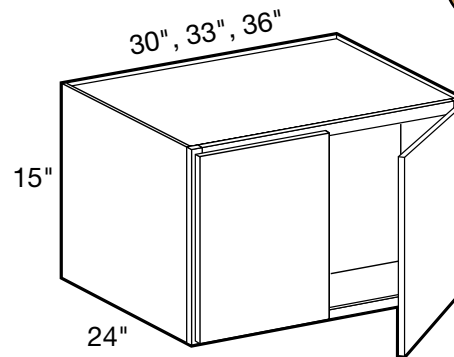


CUSTOM DEPTH

W302415

W332415

W362415



- No adjustable shelf
- Must be installed between two cabinets, cabinet and wall, or supported by CPVT's.
- **CUSTOM DEPTH: 16" to 23" deep**

12" High x 24" Deep Double Door

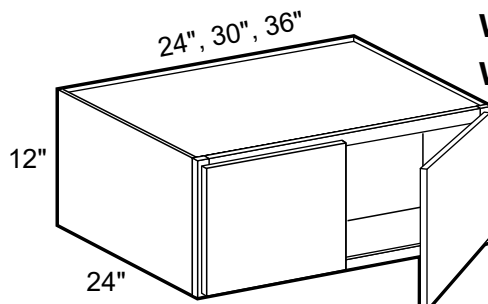


CUSTOM DEPTH

W242412

W302412

W362412



- No adjustable shelf
- Must be installed between two cabinets, cabinet and wall, or supported by CPVT's.
- **CUSTOM DEPTH: 16" to 23" deep**

18" High Double Door

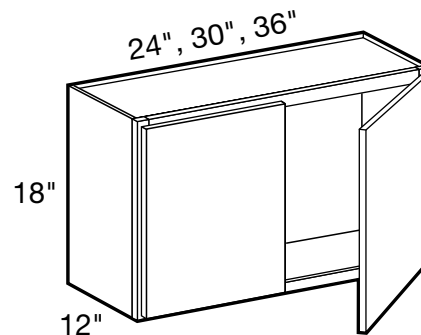


CUSTOM DEPTH

W2418

W3018

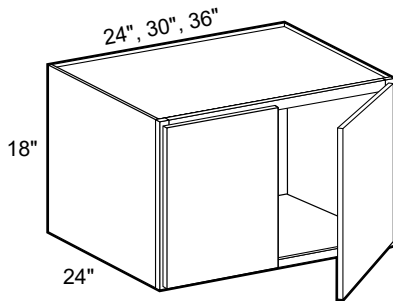
W3618



- No adjustable shelf
- **CUSTOM DEPTH: 5" to 15" deep**

Wall Cabinets

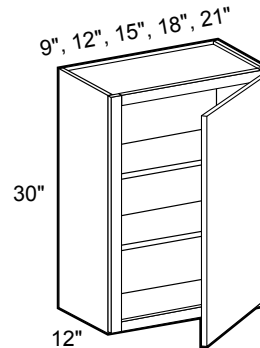
18" High x 24" Deep Double Door



CUSTOM DEPTH
W242418
W302418
W362418

- No adjustable shelf
- Must be installed between two cabinets, cabinet and wall, or supported by CPVT's.
- **CUSTOM DEPTH: 16" to 23" deep**

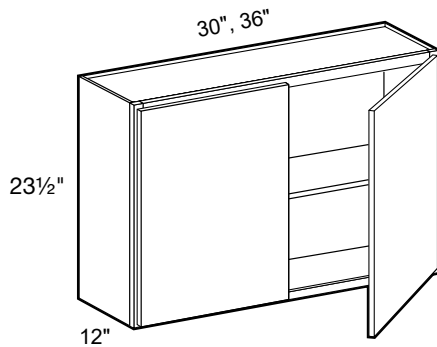
30" High Single Door



CUSTOM DEPTH
 SPECIFY
 RIGHT or LEFT HINGED
W0930
W1230
W1530
W1830
W2130

- Two adjustable shelves
- **CUSTOM DEPTH: 5" to 15" deep**

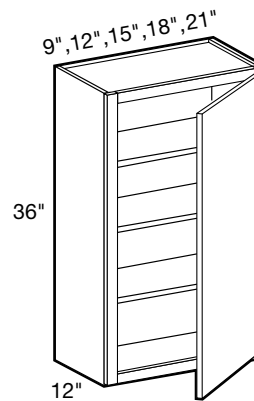
24" High Double Door



CUSTOM DEPTH
W3024
W3624

- One adjustable shelf
- **CUSTOM DEPTH: 5" to 15" deep**

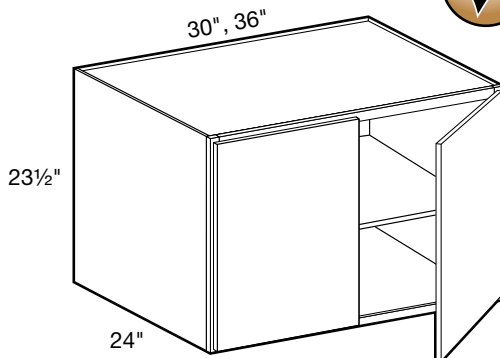
36" High Single Door



CUSTOM DEPTH
 SPECIFY
 RIGHT or LEFT HINGED
W0936
W1236
W1536
W1836
W2136

- Three adjustable shelves
- **CUSTOM DEPTH: 5" to 15" deep**

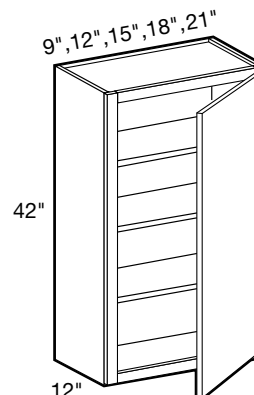
24" High x 24" Deep Double Door



CUSTOM DEPTH
W302424
W362424

- One adjustable shelf
- Must be installed between two cabinets, cabinet and wall, or supported by CPVT's.
- **CUSTOM DEPTH: 16" to 23" deep**

42" High Single Door

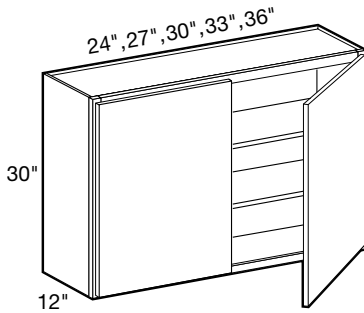


CUSTOM DEPTH
 SPECIFY
 RIGHT or LEFT HINGED
W0942
W1242
W1542
W1842
W2142

- Three adjustable shelves
- **CUSTOM DEPTH: 5" to 15" deep**

Wall Cabinets

30" High Double Door

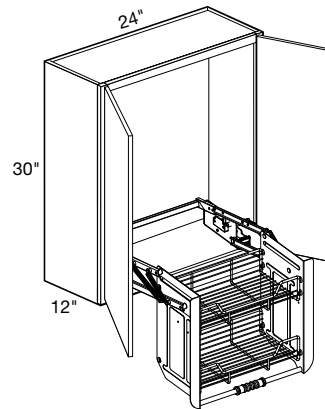


- Two adjustable shelves
- **CUSTOM DEPTH: 5" to 15" deep**

W2430
W2730
W3030
W3330
W3630

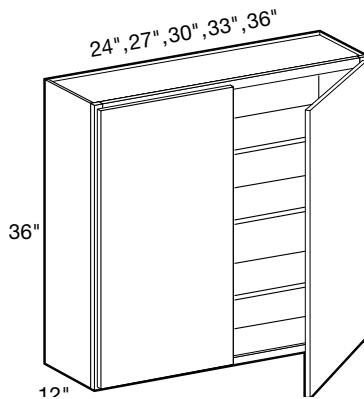
30" High Double Door with Pull Down Chrome Shelves

W2430-PDSCR



- **Field install at desired height in cabinet**
- Two tier chrome shelves lowers 10" and brings items forward 14³/₄"
- Gas assisted mechanism smoothly raises and lowers unit
- Locking arm feature holds shelf in down position

36" High Double Door

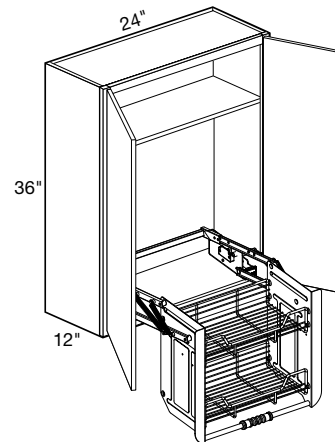


- Three adjustable shelves
- **CUSTOM DEPTH: 5" to 15" deep**

W2436
W2736
W3036
W3336
W3636

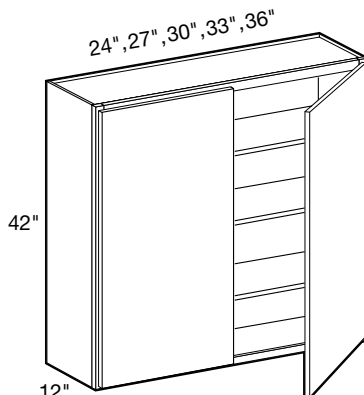
36" High Double Door with Pull Down Chrome Shelves

W2436-PDSCR



- **Field install at desired height in cabinet**
- Two tier chrome shelves lowers 10" and brings items forward 14³/₄"
- Gas assisted mechanism smoothly raises and lowers unit
- Locking arm feature holds shelf in down position

42" High Double Door

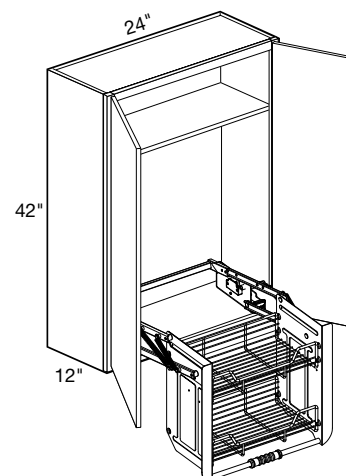


- Three adjustable shelves
- **CUSTOM DEPTH: 5" to 15" deep**

W2442
W2742
W3042
W3342
W3642

42" High Double Door with Pull Down Chrome Shelves

W2442-PDSCR

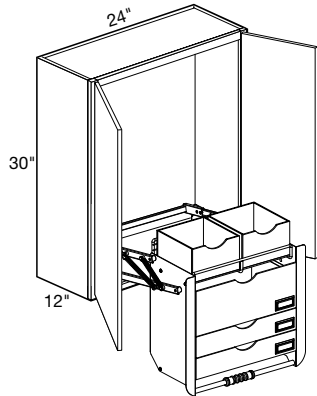


- **Field install at desired height in cabinet**
- Two tier chrome shelves lowers 10" and brings items forward 14³/₄"
- Gas assisted mechanism smoothly raises and lowers unit
- Locking arm feature holds shelf in down position

Wall Cabinets

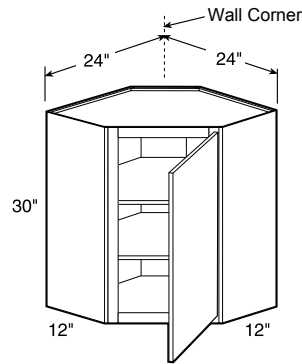
30" High Double Door with Pull Down Frosted Shelves

W2430-PDSFR

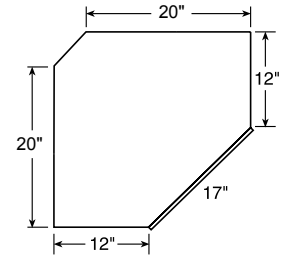


- Field install at desired height in cabinet
- Features 5 removable acrylic storage bins
- Lowers items 10" and brings forward 14³/₄"
- Gas assisted mechanism smoothly raises and lowers unit

30" High Wall Angle



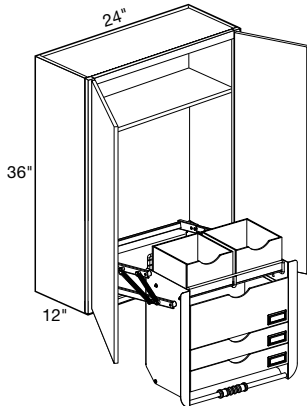
SPECIFY
RIGHT or LEFT HINGED
WA2430



- Two adjustable shelves
- Clip corner back provides clearance for installation

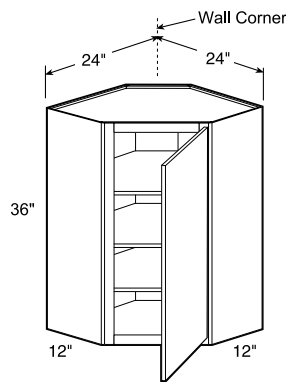
36" High Double Door with Pull Down Frosted Shelves

W2436-PDSFR

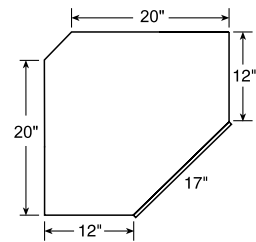


- Field install at desired height in cabinet
- Features 5 removable acrylic storage bins
- Lowers items 10" and brings forward 14³/₄"
- Gas assisted mechanism smoothly raises and lowers unit

36" High Wall Angle



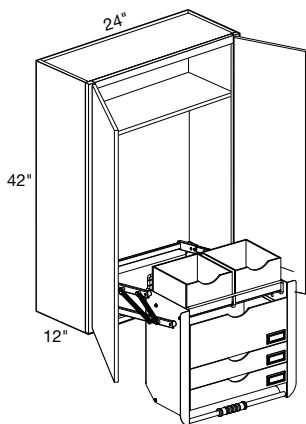
SPECIFY
RIGHT or LEFT HINGED
WA2436



- Three adjustable shelves
- Clip corner back provides clearance for installation

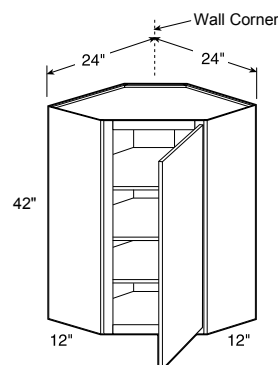
42" High Double Door with Pull Down Frosted Shelves

W2442-PDSFR

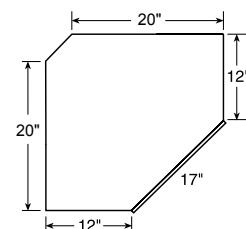


- Field install at desired height in cabinet
- Features 5 removable acrylic storage bins
- Lowers items 10" and brings forward 14³/₄"
- Gas assisted mechanism smoothly raises and lowers unit

42" High Wall Angle

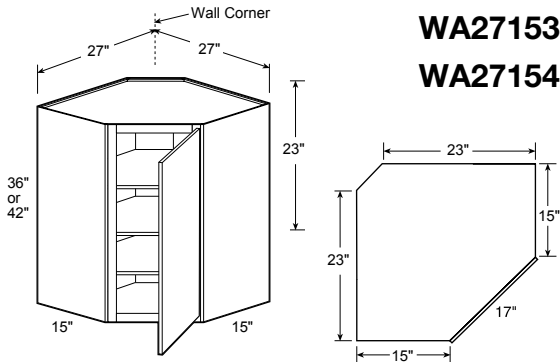


SPECIFY
RIGHT or LEFT HINGED
WA2442



- Three adjustable shelves
- Clip corner back provides clearance for installation

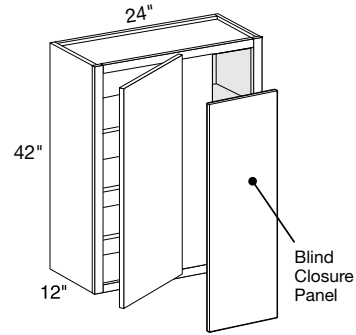
36" and 42" High x 15" Deep Wall Angle



SPECIFY
RIGHT or LEFT HINGED
WA271536
WA271542

- Three adjustable shelves
- Clip corner back provides clearance for installation

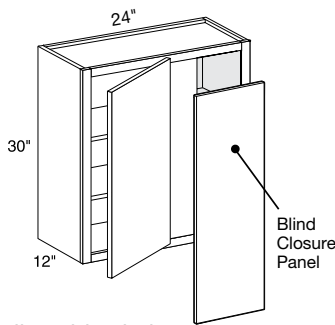
42" High Wall Blind Corner



SPECIFY
RIGHT or LEFT BLIND
WBCU2742

- Three adjustable shelves
- Indicate R or L for blind side (right shown)
- Cabinet can be pulled for exact fit (see installation guide)
- 3" color matched to face frame filler, 3" & 6" color matched to doors overlay fillers, and 3/16" blind closure panel included
- Door width is 11 3/4"
- **CUSTOM DEPTH: 5" to 15" deep**

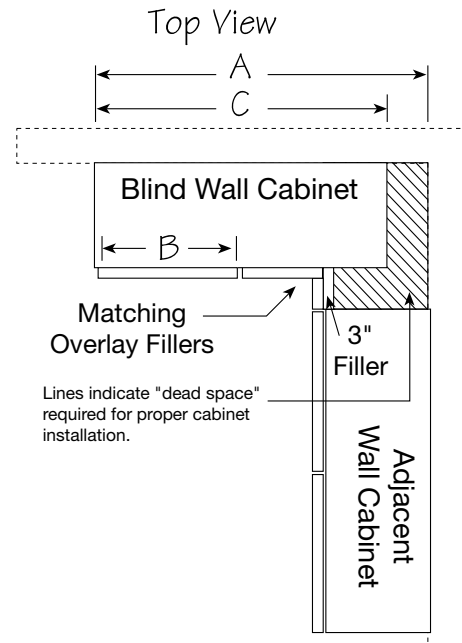
30" High Wall Blind Corner



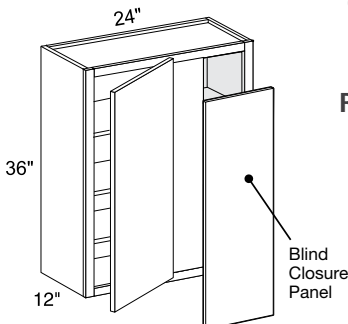
SPECIFY
RIGHT or LEFT BLIND
WBCU2730

- Two adjustable shelves
- Indicate R or L for blind side (right shown)
- Cabinet can be pulled for exact fit (see installation guide)
- 3" color matched to face frame filler, 3" & 6" color matched to doors overlay fillers, and 3/16" blind closure panel included
- Door width is 11 3/4"
- **CUSTOM DEPTH: 5" to 15" deep**

Blind Corner Installation Guide



36" High Wall Blind Corner



SPECIFY
RIGHT or LEFT BLIND
WBCU2736

- Three adjustable shelves
- Indicate R or L for blind side (right shown)
- Cabinet can be pulled for exact fit (see installation guide)
- 3" color matched to face frame filler, 3" & 6" color matched to doors overlay fillers, and 3/16" blind closure panel included
- Door width is 11 3/4"
- **CUSTOM DEPTH: 5" to 15" deep**

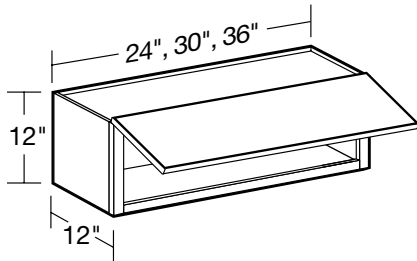
BLIND WALL INSTALLATION GUIDE			
Cabinet	Wall Space "A"	Frame Opening	Cabinet
	Min - Max	Width "B"	Width "C"
WBCU2730	25" - 30"	8 7/8"	24"
WBCU2736	25" - 30"	8 7/8"	24"
WBCU2742	25" - 30"	8 7/8"	24"

Wall Cabinets

12" High Uplift



W2412UL
W3012UL
W3612UL

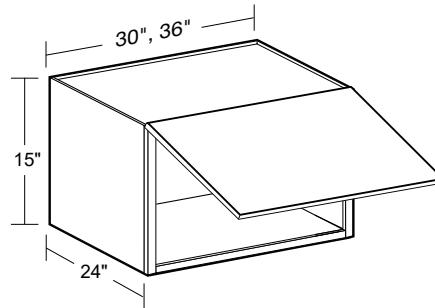


- No adjustable shelf
- **CUSTOM DEPTH: 5" to 15" deep**

15" High x 24" Deep Uplift



W302415UL
W362415UL

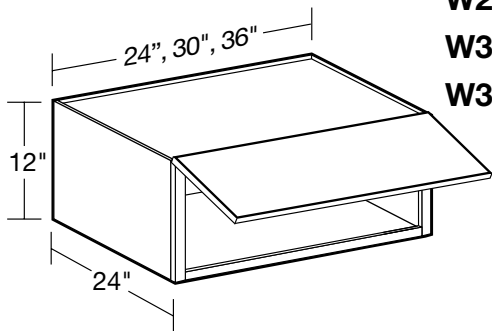


- No adjustable shelf
- Must be installed between two cabinets, cabinet and wall, or supported by CPVT's.
- **CUSTOM DEPTH: 16" to 23" deep**

12" High x 24" Deep Uplift



W242412UL
W302412UL
W362412UL

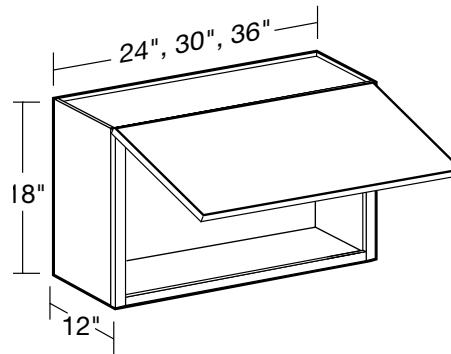


- No adjustable shelf
- Must be installed between two cabinets, cabinet and wall, or supported by CPVT's.
- **CUSTOM DEPTH: 16" to 23" deep**

18" High Uplift



W2418UL
W3018UL
W3618UL

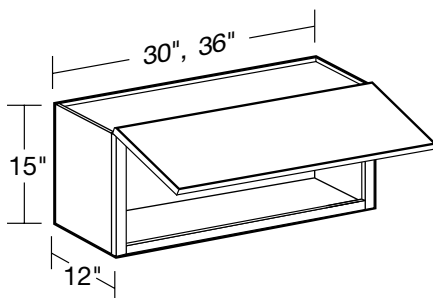


- No adjustable shelf
- **CUSTOM DEPTH: 5" to 15" deep**

15" High Uplift



W3015UL
W3615UL

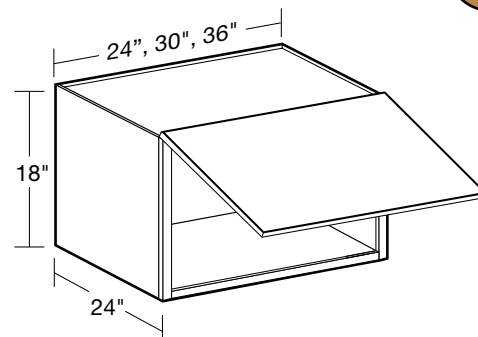


- No adjustable shelf
- **CUSTOM DEPTH: 5" to 15" deep**

18" High x 24" Deep Uplift



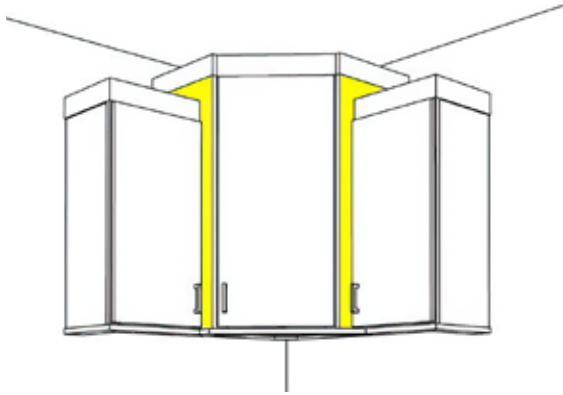
W242418UL
W302418UL
W362418UL



- No adjustable shelf
- Must be installed between two cabinets, cabinet and wall, or supported by CPVT's
- **CUSTOM DEPTH: 16" to 23" deep**

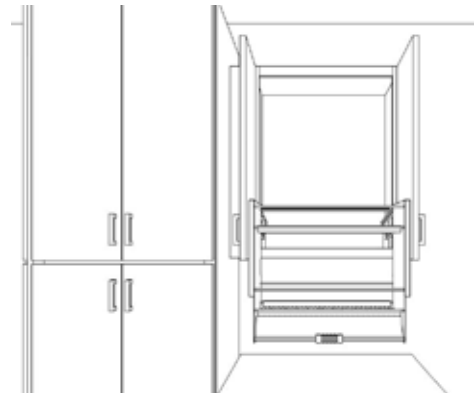
Wall Cabinets Designer Tips

Staggering Upper Cabinets



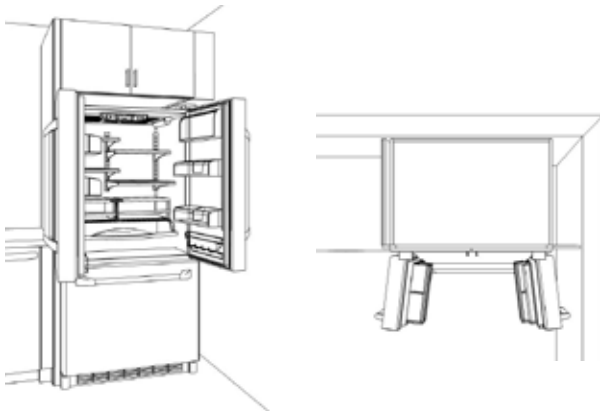
When using the 27" Deep corner cabinets, make sure to place a 3/4" filler next to adjacent cabinet if the adjacent cabinet is shallower. Also make sure to remember the Cover Panel for the deeper cabinet.

Using the Wall Cabinet with accessories



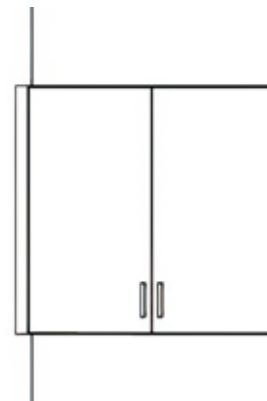
Make sure to allow proper clearance on each side so doors can open 90 degrees or more. This will allow the interior accessory to pull down correctly.

Placing a refrigerator next to a return wall



Make sure to leave enough space between refrigerator and wall so doors will open on refrigerator at least 90 degrees.

Placing wall cabinets next to a return wall



When placing cabinets against a side wall, use a minimum of 3/4" filler between wall and cabinet to allow doors to open.

Designing with panels verses skins

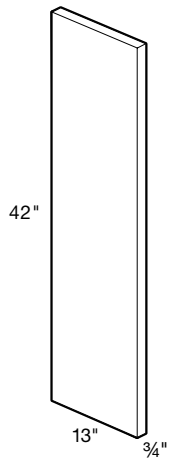


When designing with panels verses skins in the kitchen, you must allow for an extra 3/4" space for each panel. The panels will give the sides of the cabinets the same look/color as the cabinet doors and drawers. When using the panels in the upper run of cabinetry around a microwave or sink, you will also need to balance out the bottom with either panels or fillers so everything stays centered.

Wall Cover Panels

13" Wide Wall Cover Panels

CPVW1342

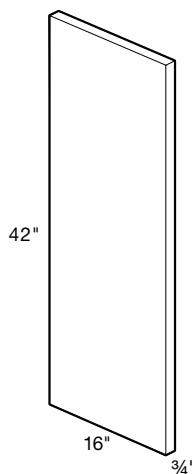


- 3/4" thick
- Durable 2 sided melamine fused to Furniture Grade particleboard or MDF
- Cover Panels designed to match the finish of the doors
- Edgebanded on all 4 sides
- Field installed
- Panel designed for Left or Right application and to align with front of door face to create inset door appearance

NOTE: Must be field modified if using with reduced depth cabinets

16" Wide Wall Cover Panels

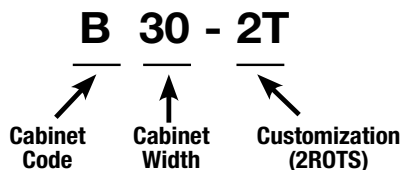
CPVW1642



- 3/4" thick
- Durable 2 sided melamine fused to Furniture Grade particleboard or MDF
- Cover Panels designed to match the finish of the doors
- Edgebanded on all 4 sides
- Field installed
- Panel designed for Left or Right application and to align with front of door face to create inset door appearance

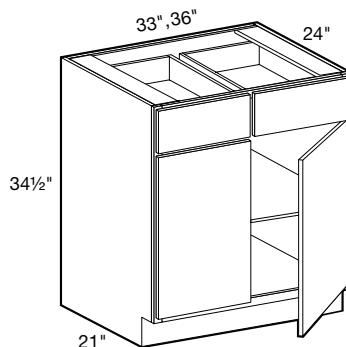
NOTE: Must be field modified if using with reduced depth cabinets

BASE CABINET CODING



- Standard Base Cabinets are 24" deep and 34½" high
- Soft close hinges and full extension drawers with soft close
- Cabinet depth does not include door thickness
- Standard cabinet exterior is color matched to face frame. Cover panels that match the door finish are optional
- Cover Panels are required if the cabinet will be on the end of a run or exposed in any way.

24" Deep Double Door

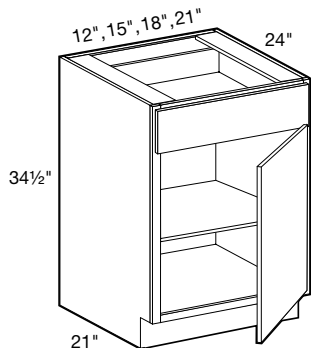


B33

B36

- One full-depth adjustable shelf
- CUSTOM DEPTH: 9" to 23" deep (9" to 14" deep options have false front & no drawer)**

24" Deep Single Door



SPECIFY RIGHT or LEFT HINGED

B12

B15

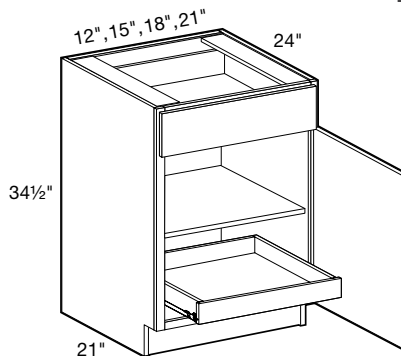
B18

B21

- One full-depth adjustable shelf
- CUSTOM DEPTH: 9" to 23" deep (9" to 14" deep options have false front & no drawer)**

24" Deep Single Door with 1 Roll-Out Tray

SPECIFY RIGHT or LEFT HINGED



B12-1T

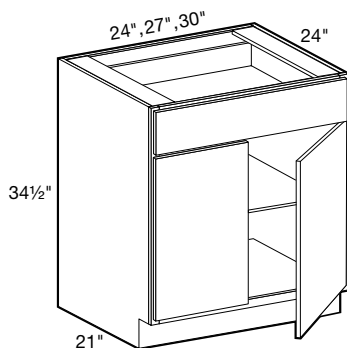
B15-1T

B18-1T

B21-1T

- One full-depth adjustable shelf
- One full width roll-out tray

24" Deep Double Door



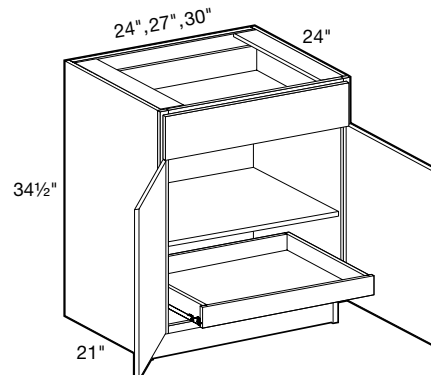
B24

B27

B30

- One full-depth adjustable shelf
- CUSTOM DEPTH: 9" to 23" deep (9" to 14" deep options have false front & no drawer)**

24" Deep Double Door with 1 Roll-Out Tray



B24-1T

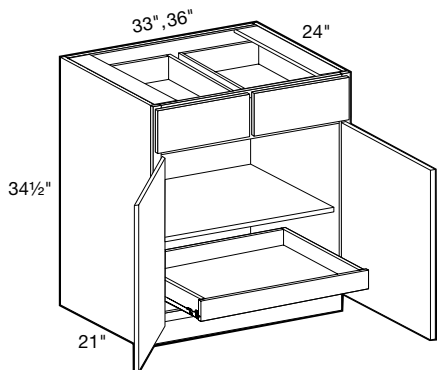
B27-1T

B30-1T

- One full-depth adjustable shelf
- One full width roll-out tray

Base Cabinets

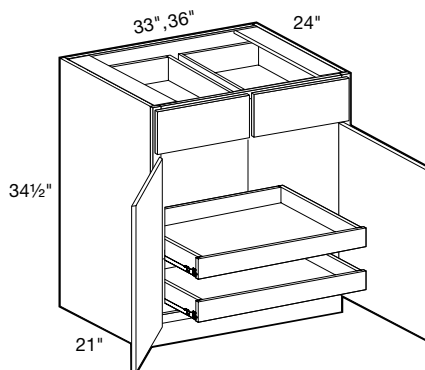
24" Deep Double Door with 1 Roll-Out Tray



B33-1T
B36-1T

- One full-depth adjustable shelf
- One full width roll-out tray

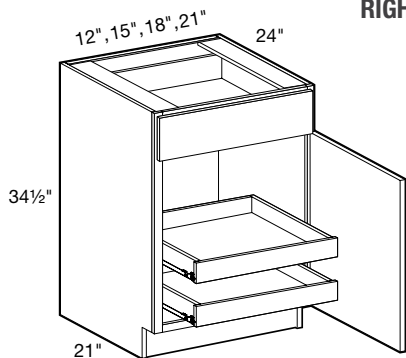
24" Deep Double Door with 2 Roll-Out Trays



B33-2T
B36-2T

- Two full-depth roll-out trays

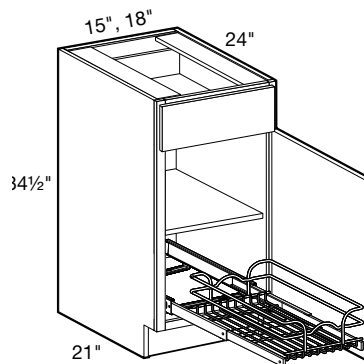
24" Deep Single Door with 2 Roll-Out Trays



SPECIFY
RIGHT or LEFT HINGED
B12-2T
B15-2T
B18-2T
B21-2T

- Two full width roll-out trays

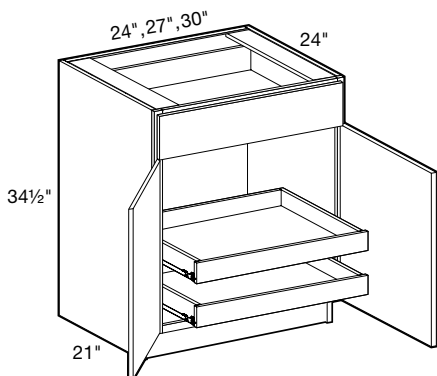
24" Deep Single Door with 1 Chrome Roll-Out Tray



SPECIFY
RIGHT or LEFT HINGED
B15-1WT
B18-1WT

- **FIELD INSTALLED**
- One full width chrome wire roll-out tray
- 100 lb rated full-extension, ball bearing slides (not soft close)
- Floor mounting, not adjustable

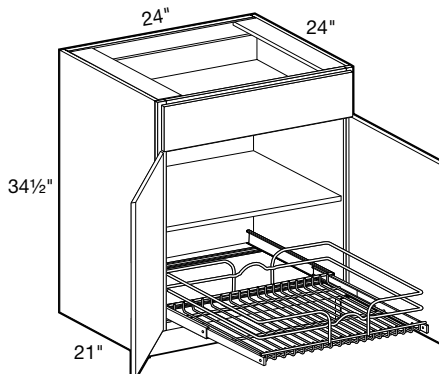
24" Deep Double Door with 2 Roll-Out Trays



B24-2T
B27-2T
B30-2T

- Two full width roll-out trays

24" Deep Double Door with 1 Chrome Roll-Out Tray

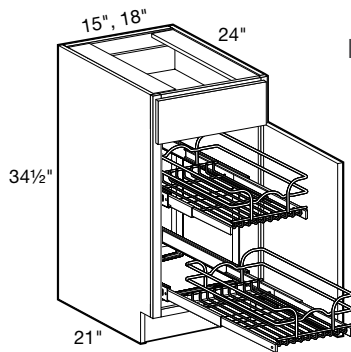


B24-1WT

- **FIELD INSTALLED**
- One full width chrome wire roll-out tray
- 100 lb rated full-extension, ball bearing slides (not soft close)
- Floor mounting, not adjustable

Base Cabinets

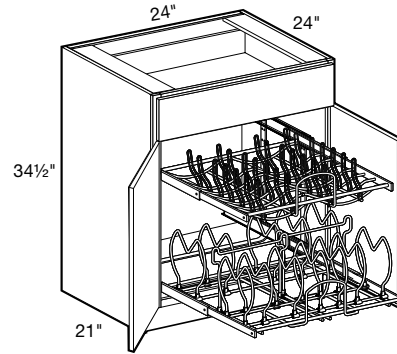
24" Deep Single Door with 2 Chrome Roll-Out Trays



SPECIFY
RIGHT or LEFT HINGED
B15-2WT
B18-2WT

- **FIELD INSTALLED**
- Two full width chrome wire roll-out trays
- 100 lb rated full-extension, ball bearing slides (not soft close)
- Floor mounting, not adjustable

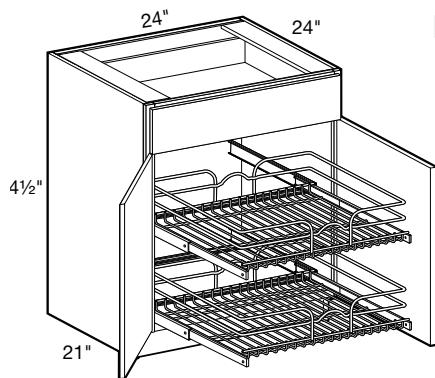
24" Deep Double Door with 2-Tier Cookware Organizer



B24-CWO

- **FIELD INSTALLED**
- Two chrome wire tiers operate independently
- Adjustable dividers on bottom tier accommodate different size pots and pans
- Floor, side, and rear mounted
- 100lb rated full-extension soft close ball-bearing slides

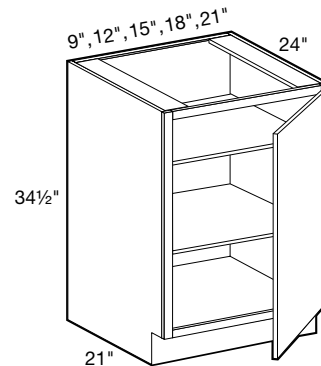
24" Deep Double Door with 2 Chrome Roll-Out Trays



B24-2WT

- **FIELD INSTALLED**
- Two full width chrome wire roll-out trays
- 100 lb rated full-extension, ball bearing slides (not soft close)
- Floor mounting, not adjustable

24" Deep Single Full Height Door

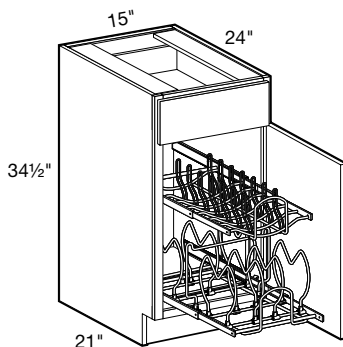


SPECIFY
RIGHT or LEFT HINGED

B09FH
B12FH
B15FH
B18FH
B21FH

- Two full-depth adjustable shelves
- **CUSTOM DEPTH: 9" to 23" deep**

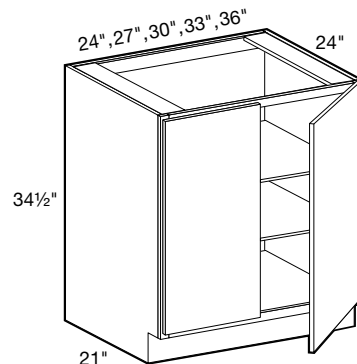
24" Deep Single Door with 2-Tier Cookware Organizer



SPECIFY
RIGHT or LEFT HINGED
B15-CWO

- **FIELD INSTALLED**
- Two chrome wire tiers operate independently
- Adjustable dividers on bottom tier accommodate different size pots and pans
- Floor, side, and rear mounted
- 100lb rated full-extension soft close ball-bearing slides

24" Deep Double Full Height Door

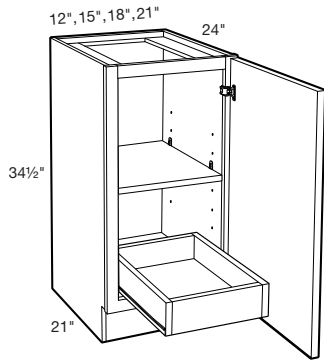


B24FH
B27FH
B30FH
B33FH
B36FH

- Two full-depth adjustable shelves
- **CUSTOM DEPTH: 9" to 23" deep**

Base Cabinets

24" Deep Double Door with 1 Roll-Out Tray

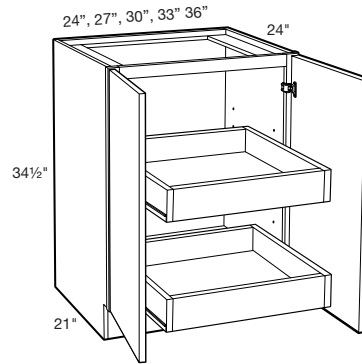


- One full-depth adjustable shelf
- One full width roll-out tray

SPECIFY
RIGHT or LEFT HINGED

B12FH-1T
B15FH-1T
B18FH-1T
B21FH-1T

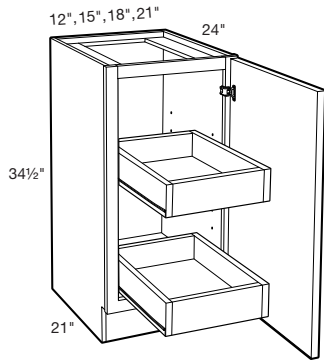
24" Deep Double Door with 2 Roll-Out Trays



- Two full-depth roll-out trays

B24FH-2T
B27FH-2T
B30FH-2T
B33FH-2T
B36FH-2T

24" Deep Single Door with 2 Roll-Out Trays

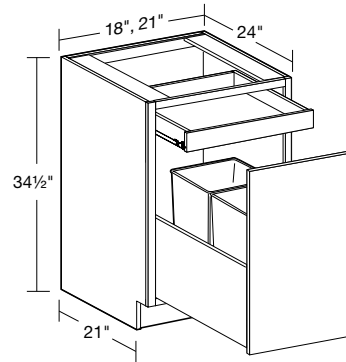


- Two full width roll-out trays

SPECIFY
RIGHT or LEFT HINGED

B12FH-2T
B15FH-2T
B18FH-2T
B21FH-2T

24" Deep DELUXE Double 35 qt. Waste Basket Pullout

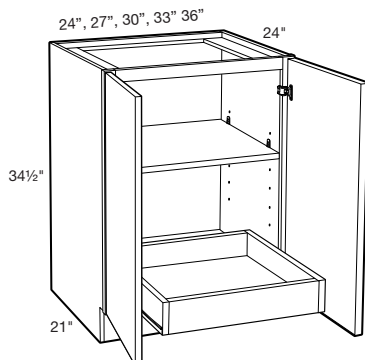


- Basket dimensions: 14"W x 10"D x 18"H
- Top mount roll-out tray for trash bag storage
- **SOFT CLOSE INCLUDED!**

- Baskets slide on heavy duty, full extension, Soft Close runners
- Two 35 quart white plastic baskets sit in a dovetailed plywood drawer box
- Baskets are removable

B2DWB18
B2DWB21

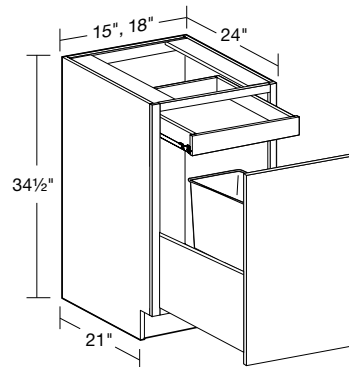
24" Deep Double Door with 1 Roll-Out Tray



- One full-depth adjustable shelf
- One full width roll-out tray

B24FH-1T
B27FH-1T
B30FH-1T
B33FH-1T
B36FH-1T

24" Deep DELUXE Single 35 qt. Waste Basket Pullout



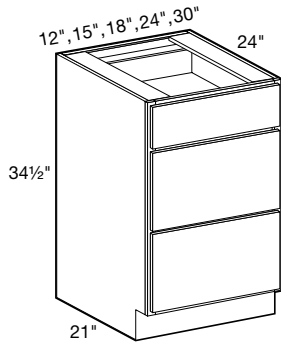
- Basket dimensions: 14"W x 10"D x 18"H
- Top mount roll-out tray for trash bag storage
- **SOFT CLOSE INCLUDED!**

- Basket slides on heavy duty, full extension, Soft Close runners
- 35 quart white plastic basket sits in a dovetailed plywood drawer box
- Basket is removable

B1DWB15
B1DWB18

Base Cabinets

24" Deep Base - 3 Drawers

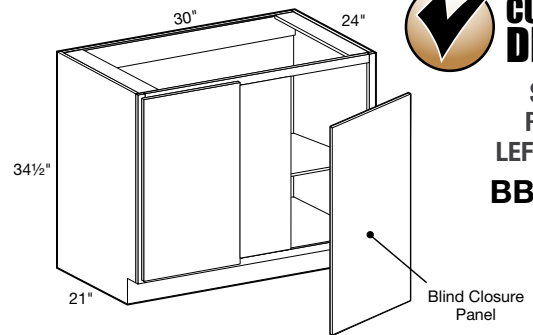


BD12
BD15
BD18
BD24
BD30

- One standard top drawer
- Two deep drawers

- **CUSTOM DEPTH: 15" to 23" deep**

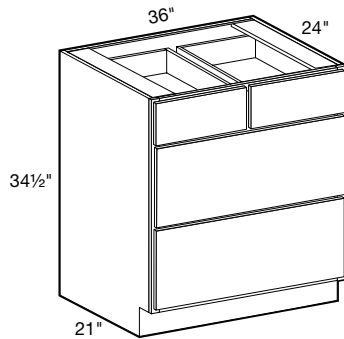
24" Deep Blind Base Corner Full Height Door



SPECIFY RIGHT or LEFT BLIND
BBCU39

- Indicate R or L for blind side (right shown)
- Cabinet can be pulled for exact fit (see installation chart)
- 3" filler, 3" & 6" overlay fillers, and 1/8" blind closure panel included
- Door width is 11 3/4"
- **CUSTOM DEPTH: 9" to 23" deep**

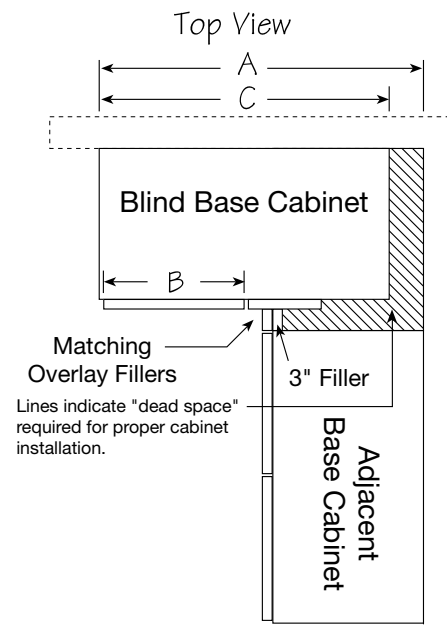
24" Deep Base - 4 Drawers



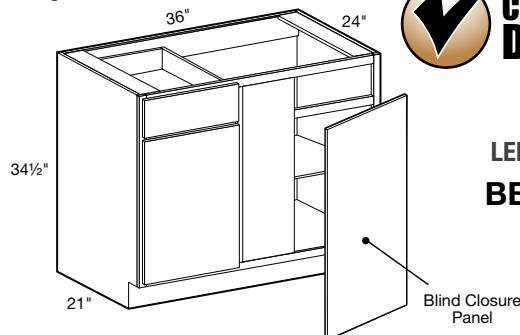
BD36

- Two standard top drawers
- Two deep drawers
- **CUSTOM DEPTH: 15" to 23" deep**

Blind Base Corner Installation



24" Deep Blind Base Corner



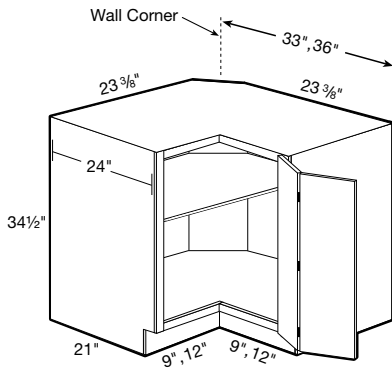
SPECIFY RIGHT or LEFT BLIND
BBCU42

- Indicate R or L for blind side (right shown)
- Cabinet can be pulled for exact fit (see installation chart)
- 3" filler, 3" & 6" overlay fillers, and 1/8" blind closure panel included
- Door and Drawer Width is 14 3/4"
- **CUSTOM DEPTH: 9" to 23" deep (9" to 14" deep options have false front & no drawer)**

BLIND BASE INSTALLATION GUIDE			
Cabinet	Wall Space "A"	Frame Opening	Cabinet
	Min - Max	Width "B"	Width "C"
BBCU39	39" - 42"	8 7/8"	30"
BBCU42	42" - 45"	12"	36"

Base Cabinets

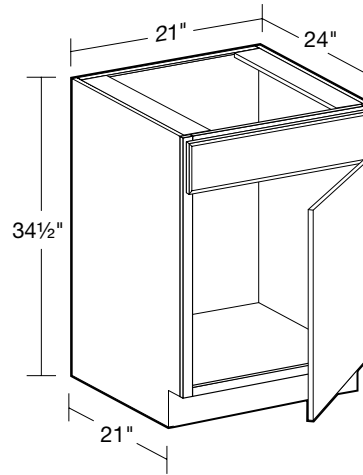
33" and 36" Easy Reach



SPECIFY
RIGHT or LEFT HINGED
EZR33
EZR36

- SOFT CLOSE DOOR (SCD) OPTION NOT AVAILABLE
- One full-depth straight adjustable shelf (reversible)
- Doors open 170 degrees for easy access
- Clip corner is 1/4" plywood

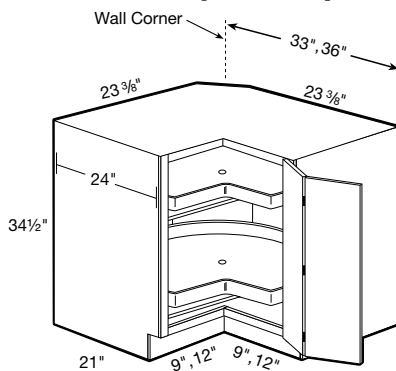
21" Deep Single Door Sink Base



 **CUSTOM DEPTH**
SPECIFY
RIGHT or LEFT HINGED
SB21

- Maximum sink cutout 19" wide
- No shelf
- False drawer front

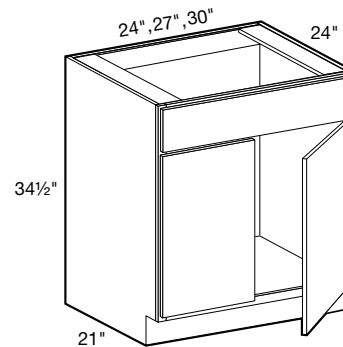
33" and 36" Easy Reach Super Suzan




SPECIFY
RIGHT or LEFT HINGED
EZR33SS
EZR36SS

- SOFT CLOSE DOOR (SCD) OPTION NOT AVAILABLE
- Two 26" or 28" diameter, pie-cut independently revolving all wood shelves
- Doors open 170 degrees for easy access
- Clip corner is 1/4" plywood

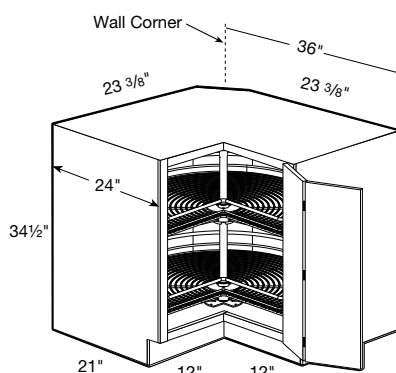
24" Deep Sink Base



 **CUSTOM DEPTH**
SB24
SB27
SB30

- No shelf, false drawer front
- May also be used as drop-in cooktop base
- **CUSTOM DEPTH: 9" to 23" deep**

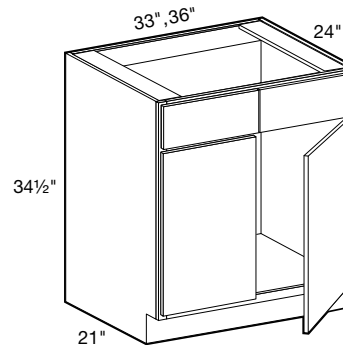
36" Easy Reach Chrome Susan



SPECIFY
RIGHT or LEFT HINGED
EZR36-2WLS

- SOFT CLOSE DOOR (SCD) OPTION NOT AVAILABLE
- **CHROME SUSAN FIELD INSTALLED BEFORE COUNTERTOP INSTALLATION**
- Doors open 170 degrees for easy access
- Clip corner is 1/4" plywood

24" Deep Sink Base



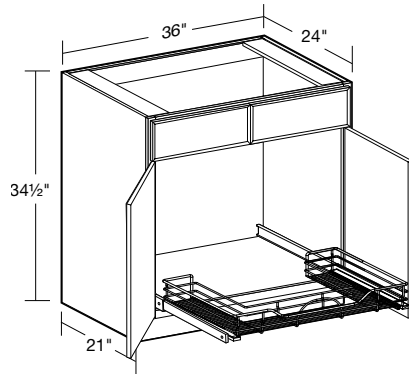
 **CUSTOM DEPTH**
SB33
SB36

- No shelf, two false drawer fronts
- May also be used as drop-in cooktop base
- **CUSTOM DEPTH: 9" to 23" deep**

Base Cabinets and Panels

24" Deep Sink Base with 1 Chrome Roll-out Tray

SB36-1USWP

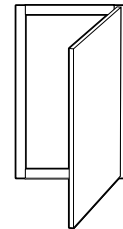
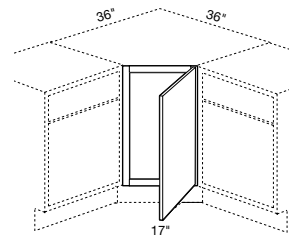


- No Shelf, two false drawer fronts full extension with soft close
- One full width U-shaped chrome wire roll-out tray
- Designed to fit around sink plumbing
- Full extension, 250lb. rated slides with soft-close

Sink Front Angle

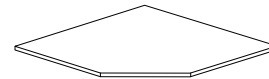
FACE FRAME & DOOR

SFA36



CORNER FLOOR

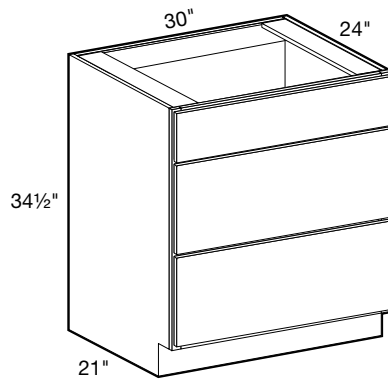
SFAF36



- Angle sink front must be installed between two cabinets
- Frame/door can be installed with hinges on right or left
- Floor support and toe base must be field constructed
- Maximum sink width for this application 25 3/4"

24" Deep Base Cooktop - Single False Front

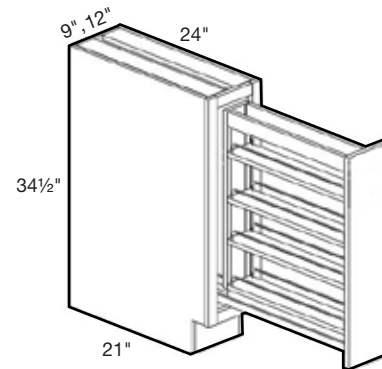
BCT30



- False top drawer front
- Two deep drawers
- Accepts drop-in cooktop

24" Deep Base Pantry Pullout

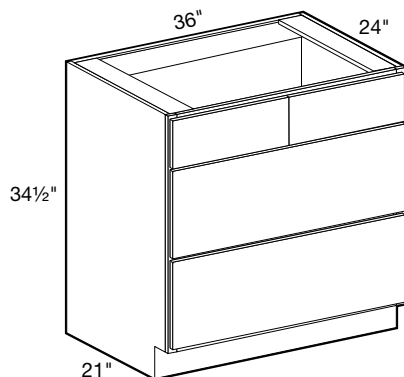
**BPPO9
BPPO12**



- Available in 9" & 12" width cabinets
- Full extension ball bearing slides provide stable, smooth pullout function
- Adjustable shelves with chrome rails

24" Deep Base Cooktop - Double False Front

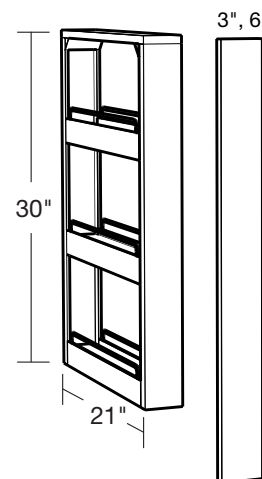
BCT36



- False top drawer fronts
- Two deep drawers
- Accepts drop-in cooktop

24" Deep Filler Pantry Pullout

**BFPO3
BFPO6**

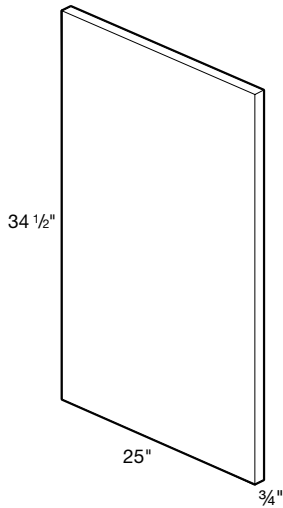


- Available in 3" & 6" widths with matching Filler Strip
- A second 3" or 6" filler should be purchased as an overlay filler
- Full extension ball bearing slides provide stable, smooth pullout function
- Adjustable shelves with chrome rails
- Pull-out unit must be installed between two cabinets
- Filler strip attached to pull-out unit after installation

Base Cabinets

25" Wide Base Cover Panels

CPVB25345

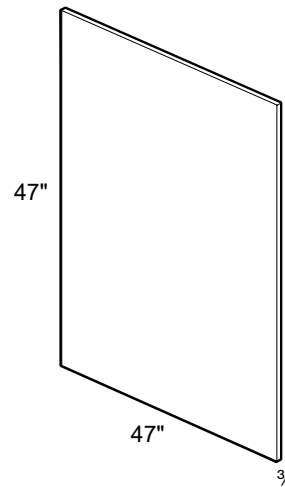


- 3/4" Thick
- Durable 2 sided melamine finish fused to MDF
- Cover Panels designed to match the finish of the doors
- Edgebanded on all 4 sides
- Field installed
- Panel designed for Left or Right application and to align with front of door face to create inset door appearance

NOTE: Must be field modified if using with reduced depth cabinets

Island Panel

IPL4747



- 3/4" thick
- Durable 2 sided melamine fused to MDF
- Island Panels designed to match the finish of the doors
- Edgebanded on all 4 sides
- Field modified and installed

Base Cabinets Design Tips

Using a Sink Front Angle



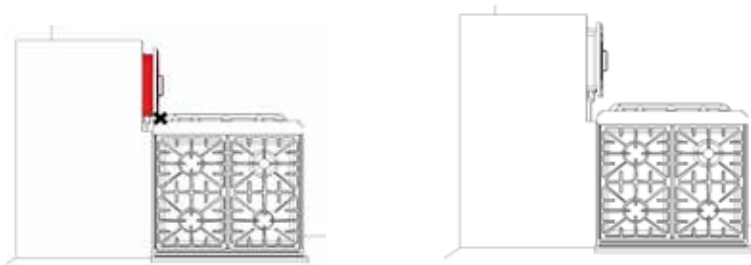
For sufficient dishwasher door clearance and loading/unloading space, a 15" wide base cabinet is recommended for use between a corner sink base and dishwasher.

Clearance for Roll Out Trays



Be sure to leave enough clearance for doors to open at least 90 degrees. This will allow the roll out trays to be operated correctly.

Blind Cabinets with Drawers

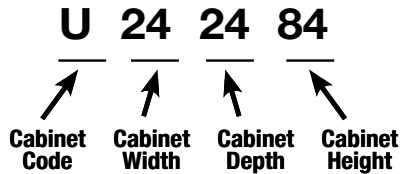


When placing a blind base cabinet, cabinet with drawer or trash pull out, make sure to allow enough clearance so drawer/pull out will open fully.

Make sure to leave enough space to allow drawer to open if placing around corner from range or appliance.

Tall Cabinets

TALL CABINET CODING



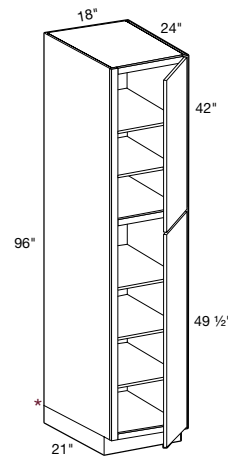
- Standard Tall Cabinets are 24" deep
- Add door thickness for total cabinet depth
- Standard cabinet exterior is color matched to face frame. Cover panels that match the door finish are optional
- Cover Panels are required if the cabinet will be on the end of a run or exposed in any way.
- Soft close hinges

24" Deep Two Door Utility



**SPECIFY
RIGHT or LEFT HINGED**

U182496



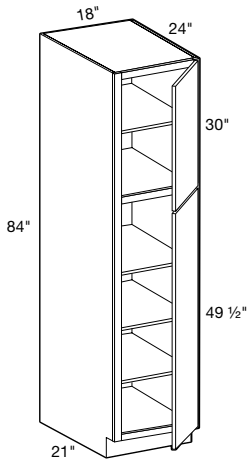
- One fixed shelf dividing upper and lower door, 5 adjustable shelves
- Optional rollout trays or additional shelves available
- * Loose toe kick box for ease of installation
- **CUSTOM DEPTH: 9" to 23"**

24" Deep Two Door Utility



**SPECIFY
RIGHT or LEFT HINGED**

U182484

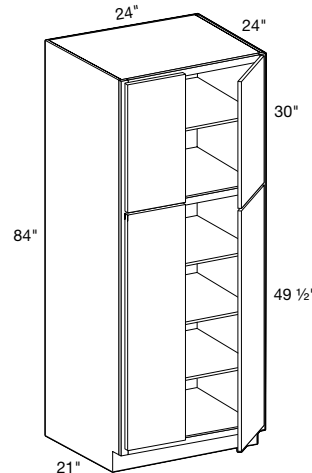


- One fixed shelf dividing upper and lower door, 4 adjustable shelves
- Optional rollout trays or additional shelves available
- **CUSTOM DEPTH: 9" to 23"**

24" Deep Four Butt Door Utility



U242484



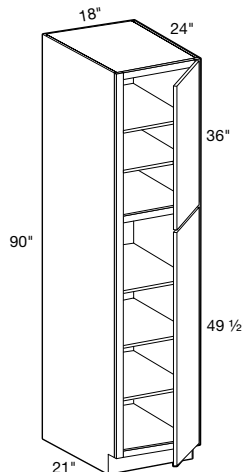
- One fixed shelf dividing upper and lower doors, 4 adjustable shelves
- Optional rollout trays or additional shelves available
- **CUSTOM DEPTH: 9" to 23"**

24" Deep Two Door Utility



**SPECIFY
RIGHT or LEFT HINGED**

U182490

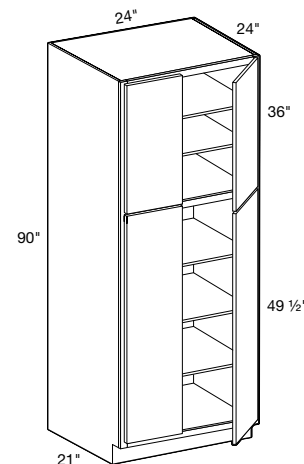


- One fixed shelf dividing upper and lower door, 4 adjustable shelves
- Optional rollout trays or additional shelves available
- **CUSTOM DEPTH: 9" to 23" deep**

24" Deep Four Butt Door Utility



U242490



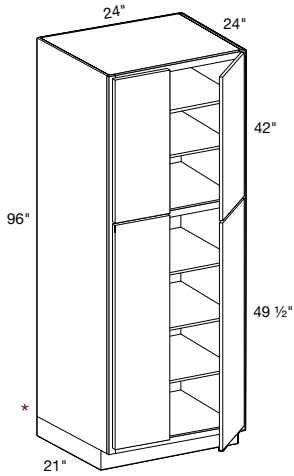
- One fixed shelf dividing upper and lower doors, 4 adjustable shelves
- Optional rollout trays or additional shelves available
- **CUSTOM DEPTH: 9" to 23" deep**

Tall Cabinets

24" Deep Four Butt Door Utility



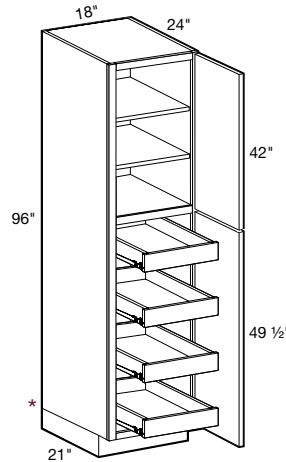
U242496



- One fixed shelf dividing upper and lower doors, 5 adjustable shelves
- Optional rollout trays or additional shelves available
- * Loose toe kick box for ease of installation
- **CUSTOM DEPTH: 9" to 23" deep**

24" Deep Two Door Utility with Four Rollout Trays

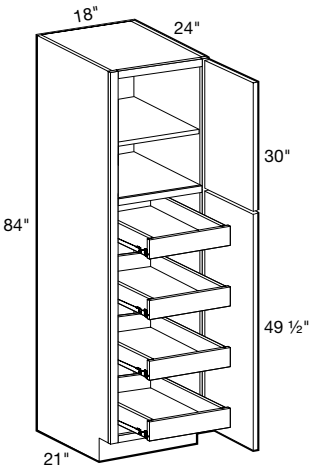
**SPECIFY
RIGHT or LEFT HINGED
U182496-4T**



- One fixed shelf dividing upper and lower door, 2 adjustable shelves
- Four full width rollout trays
- * Loose toe kick box for ease of installation

24" Deep Two Door Utility with Four Rollout Trays

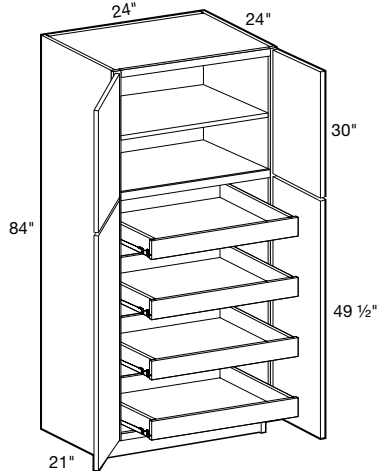
**SPECIFY
RIGHT or LEFT HINGED
U182484-4T**



- One fixed shelf dividing upper and lower door, one adjustable shelf
- 4 full width rollout trays

24" Deep Four Butt Door Utility with Four Rollout Trays

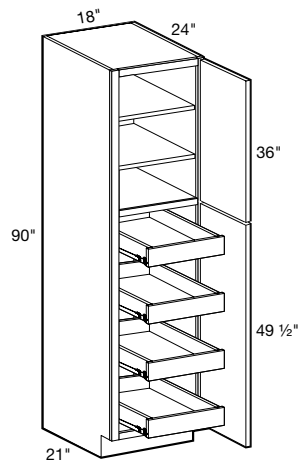
U242484-4T



- One fixed shelf dividing upper and lower doors, one adjustable shelf
- Four full width rollout trays

24" Deep Two Door Utility with Four Rollout Trays

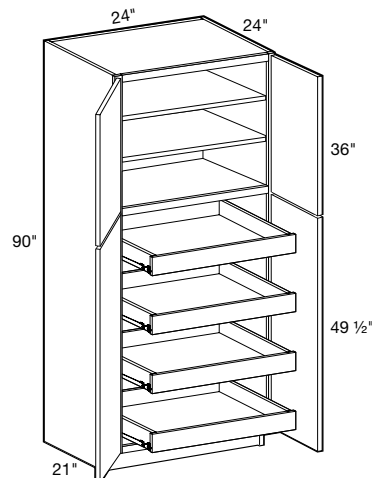
**SPECIFY
RIGHT or LEFT HINGED
U182490-4T**



- One fixed shelf dividing upper and lower door, 2 adjustable shelves
- Four full width rollout trays

24" Deep Four Butt Door Utility with Four Rollout Trays

U242490-4T

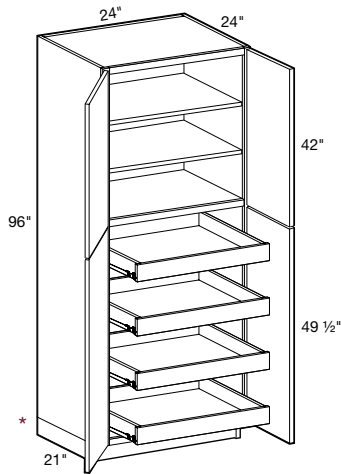


- One fixed shelf dividing upper and lower doors, 2 adjustable shelves
- Four full width rollout trays

Tall Cabinets

24" Deep Four Butt Door Utility with Four Rollout Trays

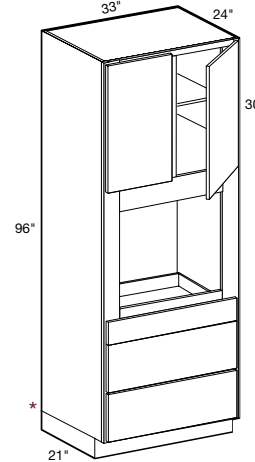
U242496-4T



- One fixed shelf dividing upper and lower doors, 2 adjustable shelves
- Four full width rollout trays
- * Loose toe kick box for ease of installation

24" Deep Universal Oven

OC332496U

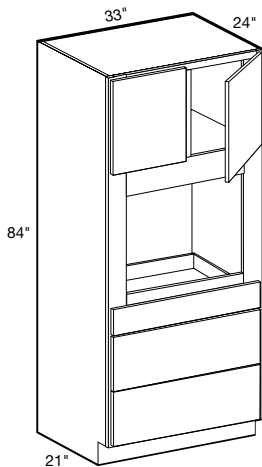


- Consult chart for oven cutout dimensions
- One adjustable shelf
- 3 field removable drawers
- 3" stiles in oven compartment
- * Loose toe kick box for ease of installation
- For frame openings refer to page 37
- 33"W x 62"H cover panel included. This will need to be trimmed to fit on the job site to fit behind the trim of your appliance

CABINET	MIN. WIDTH	MAX. WIDTH	MIN. HEIGHT	MAX. HEIGHT
OC332496U	27"	31"	22"	69"

24" Deep Universal Oven

OC332484U



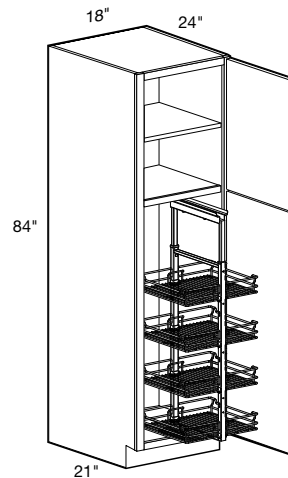
- Consult chart for oven cutout dimensions
- No adjustable shelf
- 3 field removable drawers
- 3" stiles in oven compartment
- For frame openings refer to page 37
- 33"W x 62"H cover panel included. This will need to be trimmed to fit on the job site to fit behind the trim of your appliance

CABINET	MIN. CUTOUT WIDTH	MAX. CUTOUT WIDTH	MIN. CUTOUT HEIGHT	MAX. CUTOUT HEIGHT
OC332484U	27"	31"	22"	60"

24" Deep Two Door Utility with Four Pull-out Chrome Trays

SPECIFY RIGHT or LEFT HINGED

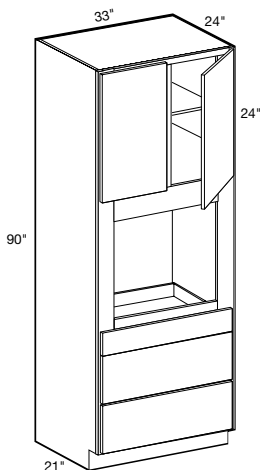
U182484-PO4WS



- **FIELD INSTALLED PULL-OUT UNIT**
- Pull-out unit includes 4 chrome baskets and optional door mounts
- Top and bottom glides are soft closing and 250 lb. weight rated
- One fixed shelf dividing upper and lower door
- One adjustable upper shelf
- Full extension, 250lb. rated slides with soft-close

24" Deep Universal Oven

OC332490U



- Consult chart for oven cutout dimensions
- One adjustable shelf
- 3 field removable drawers
- 3" stiles in oven compartment
- For frame openings refer to page 37
- 33"W x 62"H cover panel included. This will need to be trimmed to fit on the job site to fit behind the trim of your appliance

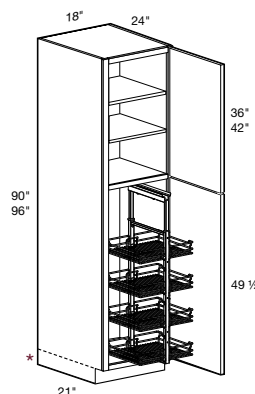
CABINET	MIN. CUTOUT WIDTH	MAX. CUTOUT WIDTH	MIN. CUTOUT HEIGHT	MAX. CUTOUT HEIGHT
OC332490U	27"	31"	22"	60"

24" Deep Two Door Utility with Four Pull-out Chrome Trays

SPECIFY RIGHT or LEFT HINGED

U182490-PO4WS

U182496-PO4WS



- **FIELD INSTALLED PULL-OUT UNIT**
- Pull-out unit includes 4 chrome baskets and optional door mounts
- Top and bottom glides are soft closing and 250 lb. weight rated
- One fixed shelf dividing upper and lower door
- Two adjustable upper shelves
- Full extension, 250lb. rated slides with soft-close

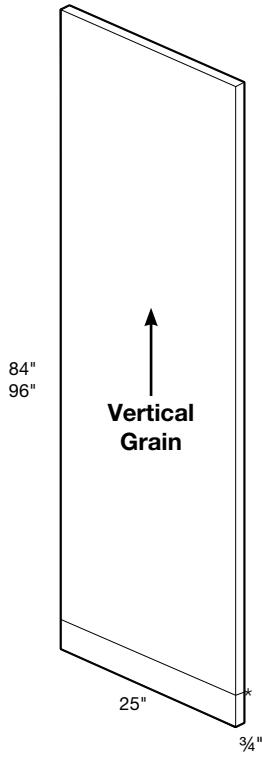
* Loose toe kick box for ease of installation

Tall Skins and Panels

25" Wide Tall Cover Panels

CPVT2584

CPVT2596

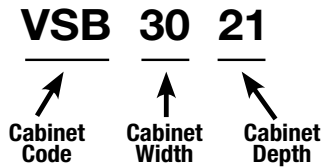


- 3/4" thick
- Durable 2 sided melamine fused to MDF
- Cover Panels designed to match the finish of the doors
- Edgebanded on all 4 sides
- Field installed
- Panel designed for Left or Right application and to align with front of door face to create inset door appearance

NOTE: Must be field modified if using with reduced depth cabinets

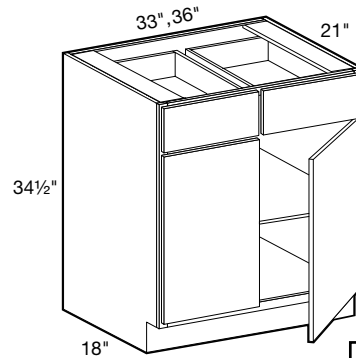
Vanity Base Cabinets

VANITY CABINET CODING



- Standard Vanity Base Cabinets are 21" deep and 34½" high
- Cabinet depth does not include door thickness
- Custom Depths are available where indicated. Use Standard Base Cabinet coding to order as specified.**
- Standard cabinet exterior is color matched to face frame. Cover panels that match the door finish are optional
- Soft close hinges
- Cover Panels are required if the cabinet will be on the end of a run or exposed in any way.

21" Deep Double Door Vanity Base



**STANDARD
21" DEPTHS**

**VB3321
VB3621**



FOR CUSTOM DEPTHS

- One full depth adjustable shelf
- Two standard drawers

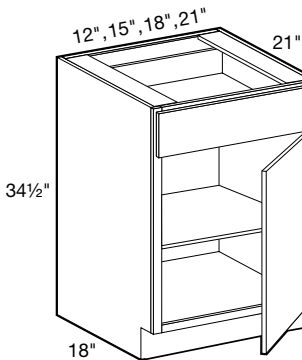
- Order **B33** or **B36**
- Select 9" to 23" depth
- 9" to 14" deep have false fronts & no drawer

21" Deep Single Door Vanity Base

**SPECIFY
RIGHT or LEFT HINGED**

**STANDARD
21" DEPTHS**

**VB1221
VB1521
VB1821
VB2121**



FOR CUSTOM DEPTHS

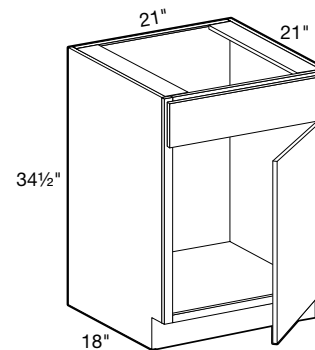
- One full depth adjustable shelf
- One standard drawer

- Order **B12**, **B15**, **B18** or **B21**
- Select 9" to 23" depth
- 9" to 14" deep have false fronts & no drawer

21" Deep Single Door Vanity Sink Base

**SPECIFY
RIGHT or LEFT HINGED**

VSB2121

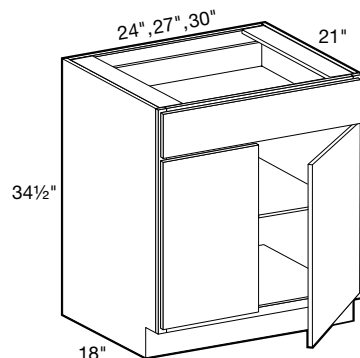


- Maximum sink cutout 19" wide
- No shelf
- False drawer front

21" Deep Double Door Vanity Base

**STANDARD
21" DEPTHS**

**VB2421
VB2721
VB3021**



FOR CUSTOM DEPTHS

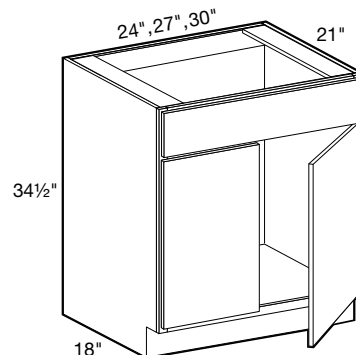
- One full depth adjustable shelf
- One standard drawer

- Order **B24**, **B27** or **B30**
- Select 9" to 23" depth
- 9" to 14" deep have false fronts & no drawer

21" Deep Double Door Vanity Sink Base

**STANDARD
21" DEPTHS**

**VSB2421
VSB2721
VSB3021**



- No shelf
- False drawer front

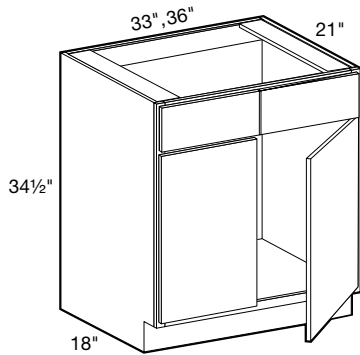


FOR CUSTOM DEPTHS

- Order **SB24**, **SB27** or **SB30**
- Select 9" to 23" depth

Vanity Base Cabinets

21" Deep Double Door Vanity Sink Base



**STANDARD
21" DEPTHS**

**VSB3321
VSB3621**

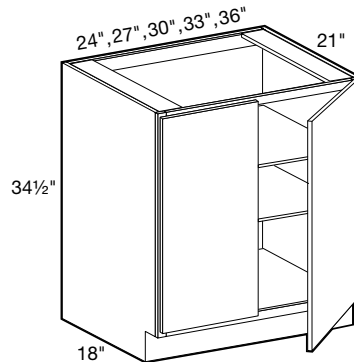


FOR CUSTOM DEPTHS

- Order **SB33** or **SB36**
- Select 9" to 23" depth

- No shelf, two false drawer fronts

21" Deep Double Full Height Door Vanity Base



**STANDARD
21" DEPTHS**

**VB2421FH
VB2721FH
VB3021FH
VB3321FH
VB3621FH**

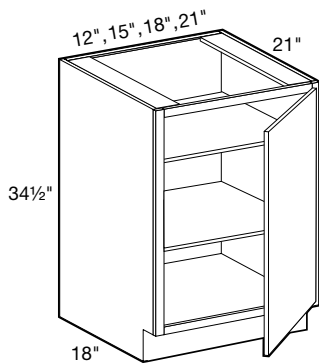


FOR CUSTOM DEPTHS

- Order **B24FH**, **B27FH**, **B30FH** or **B36FH**
- Select 9" to 23" depth

- Two adjustable shelves

21" Deep Single Full Height Door Vanity Base



**SPECIFY
RIGHT or LEFT HINGED**

**STANDARD
21" DEPTHS**

**VB1221FH
VB1521FH
VB1821FH
VB2121FH**

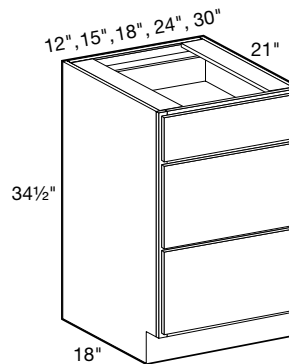


FOR CUSTOM DEPTHS

- Order **B12FH**, **B15FH**, **B18FH** or **B21FH**
- Select 9" to 23" depth

- Two adjustable shelves

21" Deep Vanity Base Drawer



**STANDARD
21" DEPTHS**

**VBD1221
VBD1521
VBD1821
VBD2421
VBD3021**



FOR CUSTOM DEPTHS

- Order **BD12**, **BD15**, **BD18**, **BD24** or **BD30**
- Select 15" to 23" depth

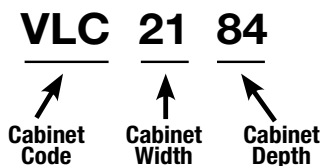
- One standard drawer
- Two deep drawers

Designing with Vanity Base Cabinets for a Cost Savings



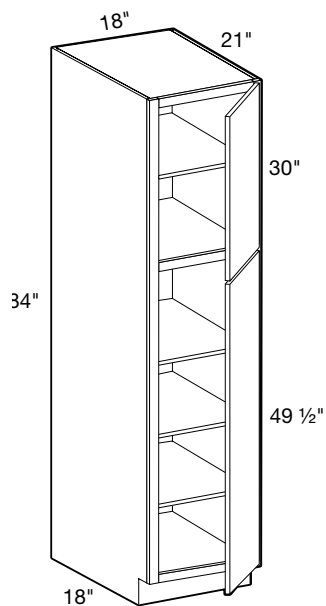
If you need to gain up to 3" of depth, use Vanity base cabinets in your kitchen or laundry room instead of customizing the depth of a standard base for a cost savings!

VANITY CABINET CODING



- Standard Vanity Linen Cabinets are 21" deep and 34½" high
- Cabinet depth does not include door thickness
- **Custom Depths are available where indicated. Use Standard Tall Cabinet coding to order as specified.**
- Standard cabinet exterior is color matched to face frame. Cover panels that match the door finish are optional
- Cover Panels are required if the cabinet will be on the end of a run or exposed in any way.
- Soft close hinges

21" Deep Two Door Linen



SPECIFY
RIGHT or LEFT HINGED

21" DEPTH
VLC182184

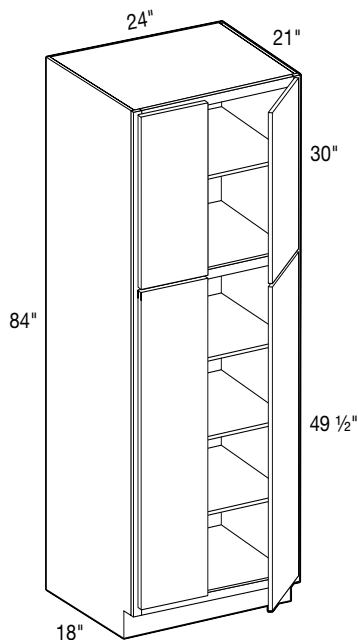
- One fixed shelf dividing upper and lower doors, four adjustable shelves



FOR CUSTOM DEPTHS

- Order **U182484**
- Select 9" to 23" depth

21" Deep Four Door Linen



21" DEPTH
VLC242184

- One fixed shelf dividing upper and lower doors, four adjustable shelves



FOR CUSTOM DEPTHS

- Order **U182484**
- Select 9" to 23" depth

Cover Panels

COVER PANEL DESIGN TIPS

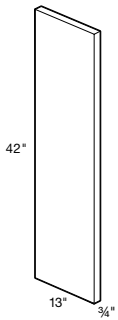
In our Metropolitan Series the sides of the cabinets will be finished to the color of the face frame and will not have a High Gloss Finish.

To achieve a Hi-Gloss Finish you will need to apply cover panels to the sides of exposed cabinets.

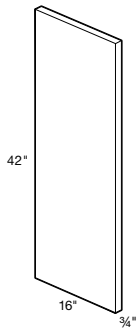
The cover panels are deeper than the box and door of the cabinet to create an inset look to the door.

- The height of the panel will be the box height or may have to be modified on the job site to match the height of the box.
- Please also keep in mind that the panels are $\frac{3}{4}$ " thick, so plan for them when you are designing as adding them after the fact could be a problem

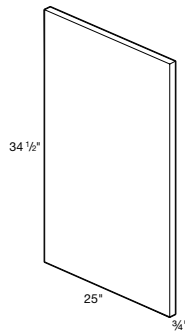
**13" Wide Wall
Cover Panels**
Page 12



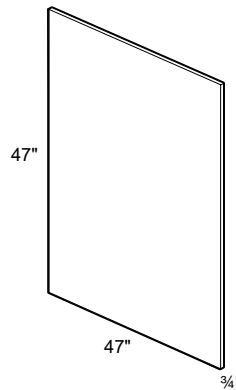
**16" Wide Wall
Cover Panels**
Page 12



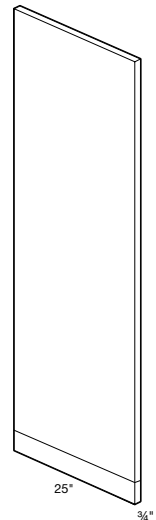
**25" Wide Base
Cover Panels**
Page 20



Island Panel
Page 20



25" Wide Tall Cover Panels
Page 24



This picture shows the cabinets if no panels are used. The sides will matte finished to match the face frame not the doors of the cabinet. The doors and drawer fronts set on the face-frame and will not have an inset look.



Cover Panels

This picture shows the cabinets with the cover panels applied as well as top and bottom molding to give the cabinet doors an inset look. For the top and bottom, filler pieces (FS96) were used and pulled out to just beyond the cabinet door, so about 1 Inch.

When using panels, a good rule to remember is that what ever you do to the upper cabinets you must also account for on the bottom run.

As an example, please notice around the upper bridge cabinet, there are panels on each side. To keep the run symmetrical and in line, panels were also used on each side of the full height door cabinet below.

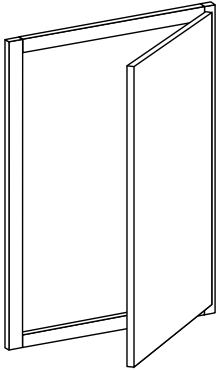


Another way to create this look is to use waterfall countertops on the end of the cabinet run and on the island. Panels can be used on the uppers and countertop on the lowers.



Accessories

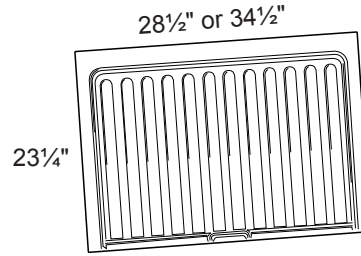
Cabinet Fronts Only (CFO)



Most Wall cabinets can be ordered as "Cabinet Fronts Only". Face frame, doors, hinges and bumpers will be supplied and shipped loose.

Please consult CFO availability guide on page 40.

Sink Base Liner

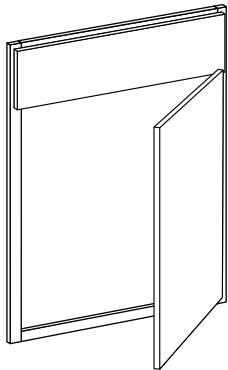


SBL2730

SBL3336

- Helps protect sink cabinet from damage due to leaks in piping or drains
- Sleek surface for easy cleanup
- SBL2730 can be trimmed to fit SB27 or SB30
- SBL3336 can be trimmed to fit SB33 or SB36
- Field installed
- Grey polystyrene easy to clean surface
- Not for use in custom-depth cabinets

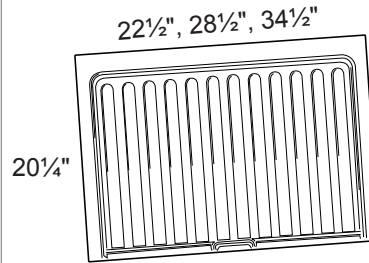
Cabinet Fronts Only (CFO)



Most Base cabinets can be ordered as "Cabinet Fronts Only". Face frame, doors, drawer fronts, hinges, and bumpers will be supplied and shipped loose. In addition, plastic corner blocks will be supplied for false front installation requirements.

Please consult CFO availability guide on page 40.

21" Deep Vanity Sink Base Liner



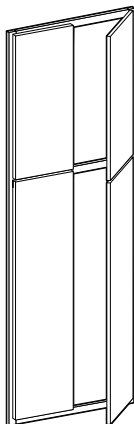
VSBL2124

VSBL2730

VSBL3336

- Helps protect sink cabinet from damage due to leaks in piping or drains
- Field installed
- Grey polystyrene easy to clean surface
- Not for use in custom-depth cabinets
- VSBL2124 can be trimmed to fit VSB2121 or VSB2421
- VSBL2730 can be trimmed to fit VSB2721 or VSB3021
- VSBL3336 can be trimmed to fit VSB3321 or VSB3621

Cabinet Fronts Only (CFO)

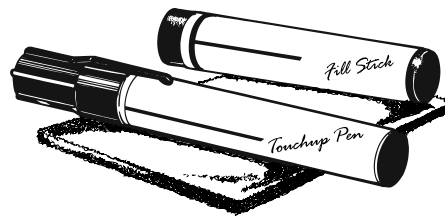


Most Tall cabinets can be ordered as "Cabinet Fronts Only". Face frame, doors, hinges and bumpers will be supplied and shipped loose.

Please consult CFO availability guide on page 40.

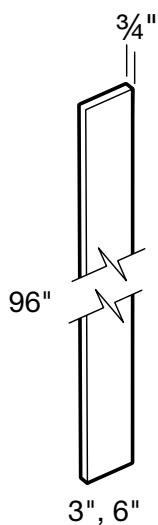
Touch-Up Kit

TUK



- **Not included with cabinets, must purchase separately**
- Includes fill stick, touch-up pen, and 4 door bumpers
- Will match the face frame, not the high gloss door finish color

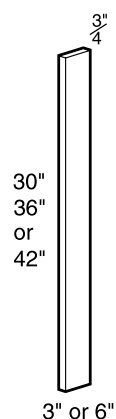
Tall Filler Strips



FS96
FS696

- 3/4" Thick
- Durable 2 side melamine finish fused to MDF
- Edgebanded on 2 long sides except 3" fillers. 3" fillers will only have front and one side
- Available in all melamine door finishes

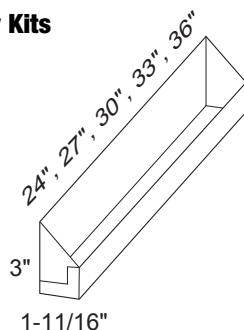
Filler Strip



FS30 FS630
FS36 FS636
FS42 FS642

- 3/4" Thick
- Durable 2 sided melamine finish fused to MDF
- Edgebanded on 2 long sides except 3" fillers. 3" fillers will only have front and one side

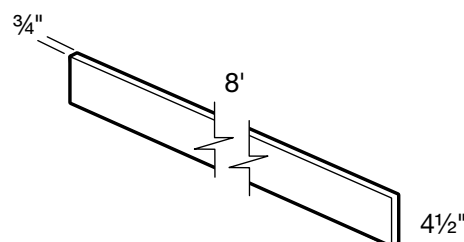
Tilt-out Tray Kits



SBTOTK24
SBTOTK27
SBTOTK30
SBTOTK33*
SBTOTK36*

- Kit attaches to sink base false drawer front to create tilt-out drawer
- Holds sponges, scouring pads, dish soaps, etc.
- Stainless steel construction
- Field installed prior to countertop
- * Two trays included to fit double false fronts

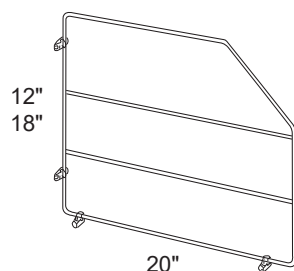
8' Matching Toe Kick – Matches Door Finish



TKFS8

- Durable 2 sided melamine fused to Furniture Grade particleboard or MDF
- Face and two long edges are edgebanded
- Available in all melamine door finishes
- Field modified and installed
- TKFS8 designed to match finish of the doors

Tray Dividers

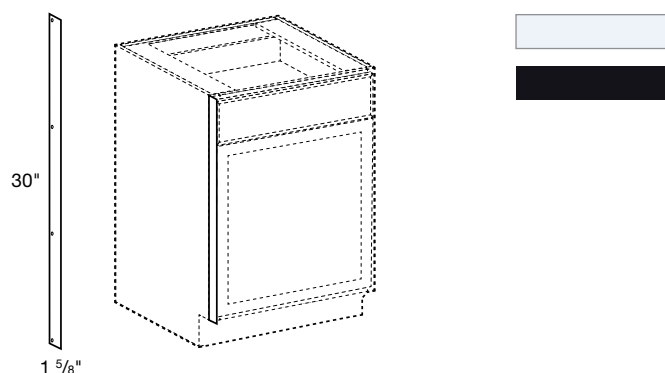


TD12CR
TD18CR

- Available in 12" & 18" heights
- Chrome finish
- Stores baking sheets, serving dishes, etc.
- Comes with 4 clips & fasteners
- Attaches to cabinet middle or bottom shelf
- Field installed
- Not for use in custom-depth cabinets

Heat Shield

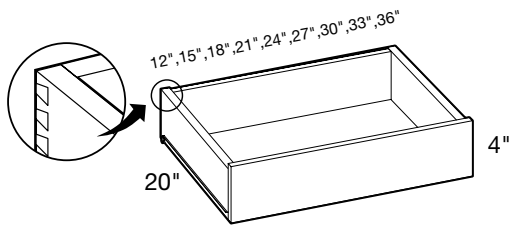
HEAT_SHIELD_WHITE
HEAT_SHIELD_BLACK



- Helps protect cabinet doors adjacent to ovens
- Attaches to the cabinet face frame
- Available in White or Black

Accessories

Rollout Tray Kits



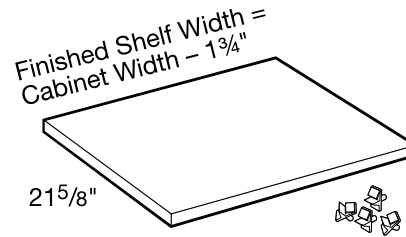
ROT12 ROT18 ROT24 ROT30 ROT36
ROT15 ROT21 ROT27 ROT33

NOTE: Roll out trays not available for Vanity Linen Cabinets or reduced depth cabinets.

- 5/8" Solid wood dovetail construction
- Consult availability guide
- Includes 3/4 extension epoxy coated smooth-glide edge mounted runners
- 75 lb. load capacity
- Available for use base and tall cabinets
- Field-install into factory pre-drilled locations only
- Not for use in custom-depth cabinets

ROLL-OUT TRAY KIT AVAILABILITY GUIDE		
PART#	DESIGNED TO FIT	ACTUAL WIDTH
ROT12	B12, B12FH	8"
ROT15	B15, B15FH	11"
ROT18	B18, B18FH, U182484 / 90 / 96	14"
ROT21	B21, B21FH	17"
ROT24	B24, B24FH, SB24, U242484 / 90 / 96	20"
ROT27	B27, B27FH, SB27	23"
ROT30	B30, B30FH, SB30	26"
ROT33	B33, B33FH, SB33	29"
ROT36	B36, B36FH, SB36	32"

Base Cabinet Shelf Kits

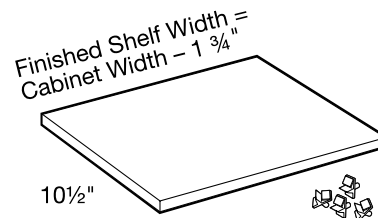


SK1224 SK2124 SK2724 SK3324
SK1524 SK2424 SK3024 SK3624
SK1824

- Shelf kits are 3/4" thick plywood finished with vinyl laminate color matched to cabinetry face frame
- Edgebanded on front edge
- One shelf and set of clips per kit
- Consult availability guide

SHELF KIT AVAILABILITY GUIDE		
PART#	DESIGNED TO FIT	ACTUAL WIDTH
SK1224	B12, B12FH	10 1/4"
SK1524	B15, B15FH	13 1/4"
SK1824	B18, B18FH, U182484/96	16 1/4"
SK2124	B21, B21FH	19 1/4"
SK2424	B24, B24FH, SB24, U242484 / 90 / 96	22 1/4"
SK2724	B27, B27FH, SB27	25 1/4"
SK3024	B30, B30FH, SB30, BBCU39	28 1/4"
SK3324	B33, B33FH, SB33, OC332484U / 90U / 96U	31 1/4"
SK3624	B36, B36FH, SB36, BBCU42	34 1/4"

Wall Cabinet Shelf Kits

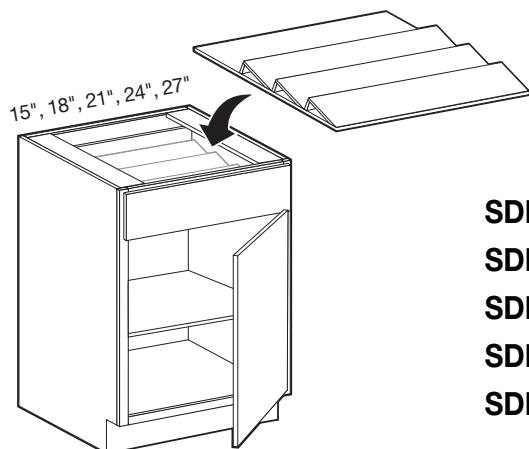


SK1212 SK2112 SK3012
SK1512 SK2412 SK3312
SK1812 SK2712 SK3612

- Shelf kits are 3/4" thick plywood finished with vinyl laminate color matched to cabinetry face frame
- Edgebanded on front edge
- One shelf and set of clips per kit

EXAMPLE: 36" wide wall cabinet uses SK3612

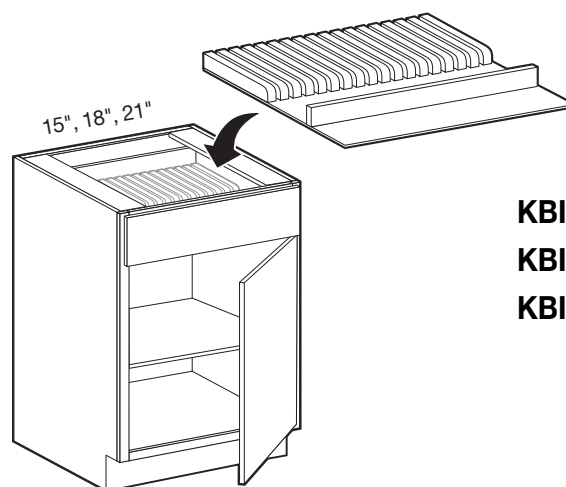
Spice Drawer Insert



SDI15
SDI18
SDI21
SDI24
SDI27

- Solid hardwood drawer insert
- Three 5" high angled tiers
- Rear 4" deep compartment
- Sized to fit inside 15", 18", 21", 24", 27" wide drawers
- Not for use in custom-depth cabinets

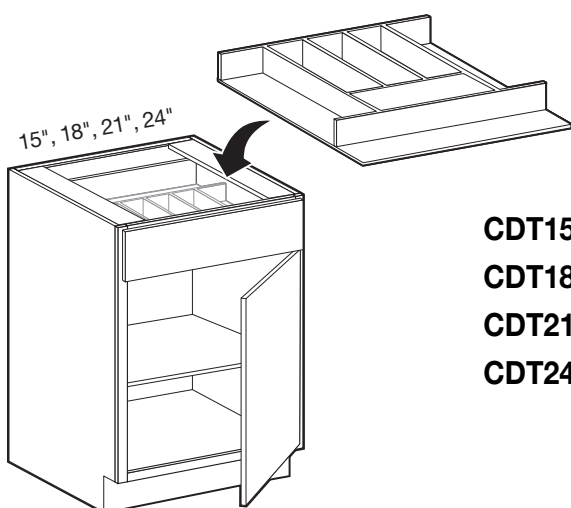
Knife Block Insert



KBI15
KBI18
KBI21

- Solid hardwood drawer insert
- One full width front utensil compartment
- KBI15:** 10 knife slots + utensil compartment (fits B15, BD15)
- KBI18:** 13 knife slots + utensil compartment (fits B18, BD18, B36, BD36)
- KBI21:** 16 knife slots + utensil compartment (fits B21)
- Not for use in custom-depth cabinets

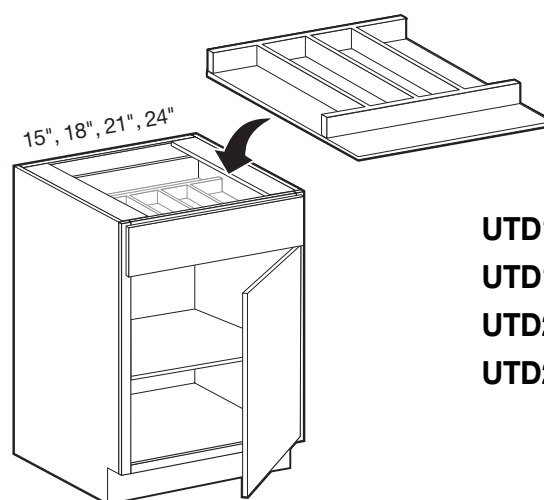
Cutlery Divider Tray



CDT15
CDT18
CDT21
CDT24

- Solid hardwood drawer insert
- One full width front utensil compartment
- CDT15:** 6 compartments 10"-14" deep (fits B15, BD15)
- CDT18:** 6 compartments 10"-14" deep (fits B18, BD18, B36, BD36)
- CDT21:** 8 compartments 10"-14" deep (fits B21)
- CDT24:** 8 compartments 10"-14" deep (fits B24, BD24)
- Not for use in custom-depth cabinets

Utensil Divider Tray



UTD15
UTD18
UTD21
UTD24

- Solid hardwood drawer insert
- One full width front utensil compartment
- UTD15:** 2 additional compartments 16" deep (fits B15, BD15)
- UTD18:** 4 additional compartments 16" deep (fits B18, BD18, B36, BD36)
- UTD21:** 5 additional compartments 16" deep (fits B21)
- UTD24:** 5 additional compartments 16" deep (fits B24, BD24)
- Not for use in custom-depth cabinets

Decorative Hardware



- Matte black

DH801-96MBL
4-1/4" Square Bar Pull
 3 3/4" center (96mm)

DH801-128MBL
5-1/2" Square Bar Pull
 5" center (128mm)

DH00801-17MBL
6-3/4" Square Bar Pull
 6-5/16" center (160mm)



- Brushed nickel

DH801-96BRN
4-1/4" Square Bar Pull
 3 3/4" center (96mm)

DH801-128BRN
5-1/2" Square Bar Pull
 5" center (128mm)

DH00801-17MBL
6-3/4" Square Bar Pull
 6-5/16" center (160mm)



- Champagne Bronze

DH873-96CHBR
4-1/4" Square Bar Pull
 3 3/4" center (96mm)

DH873-128CHBR
5-3/8" Square Bar Pull
 5" center (128mm)

DH873-160CHBR
6-3/4" Square Bar Pull
 6-5/16" center (160mm)



- Brushed nickel

DH5016-96BRN
5-3/8" Tubular Bar Pull
 3 3/4" center (96mm)

DH5016-128BRN
6-5/8" Tubular Bar Pull
 5" center (128mm)

DH5016-160BRN
7-7/8" Tubular Bar Pull
 6-5/16" center (160mm)

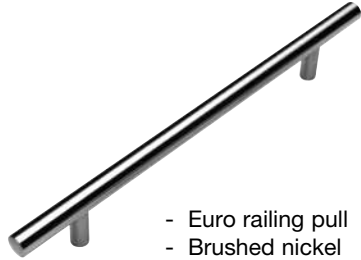


- Champagne Bronze

DH5016-96CHBR
5-3/8" Tubular Bar Pull
 3 3/4" center (96mm)

DH5016-128CHBR
6-5/8" Tubular Bar Pull
 5" center (128mm)

DH5016-160CHBR
7-7/8" Tubular Bar Pull
 6-5/16" center (160mm)



- Euro railing pull
- Brushed nickel

DH45-100 - 6 15/16" Euro Pull
3-13/16" center (96mm)

DH45-102 - 10 3/4" Euro Pull
7-9/16" center (192mm)

DH45-104 - 14 7/8" Euro Pull*
11-3/4" center (298mm)

DESIGN TIP: Make sure to double check the length of drawer/door to ensure pull will fit the cabinet



DH99-188

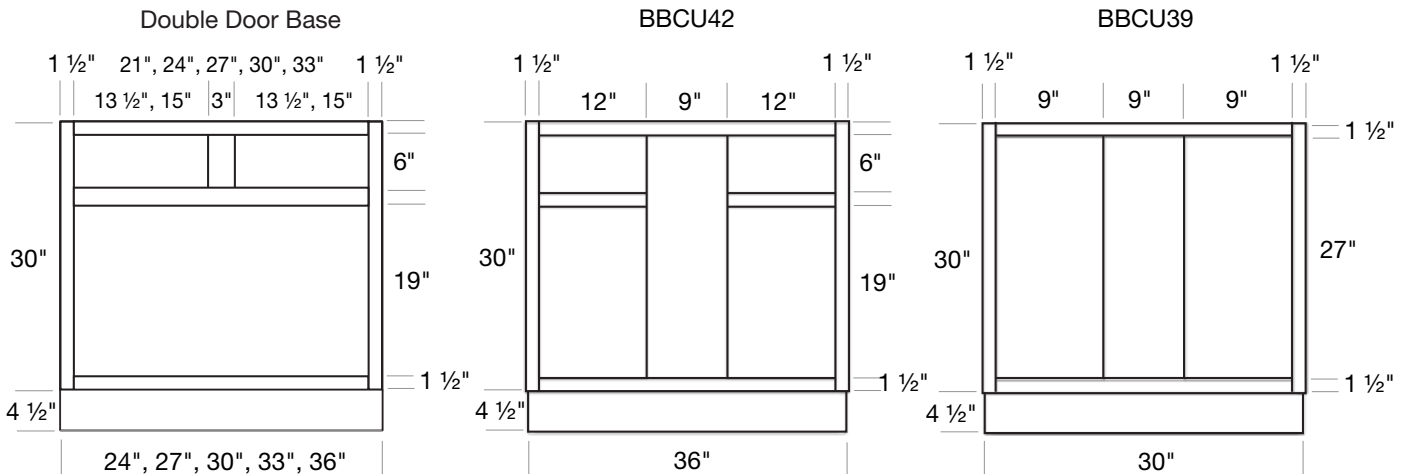
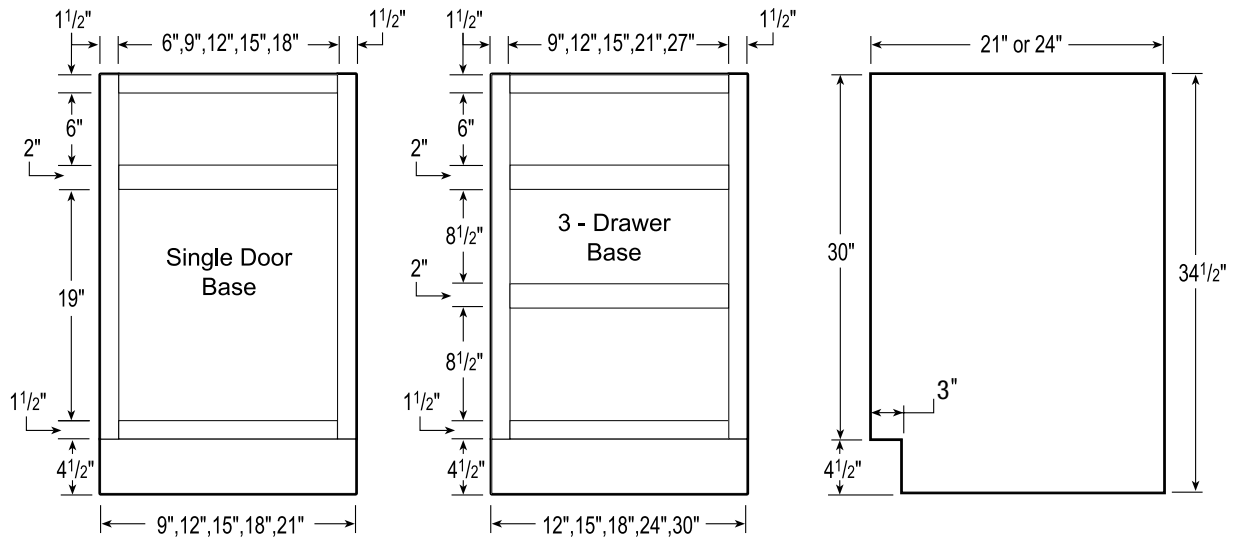
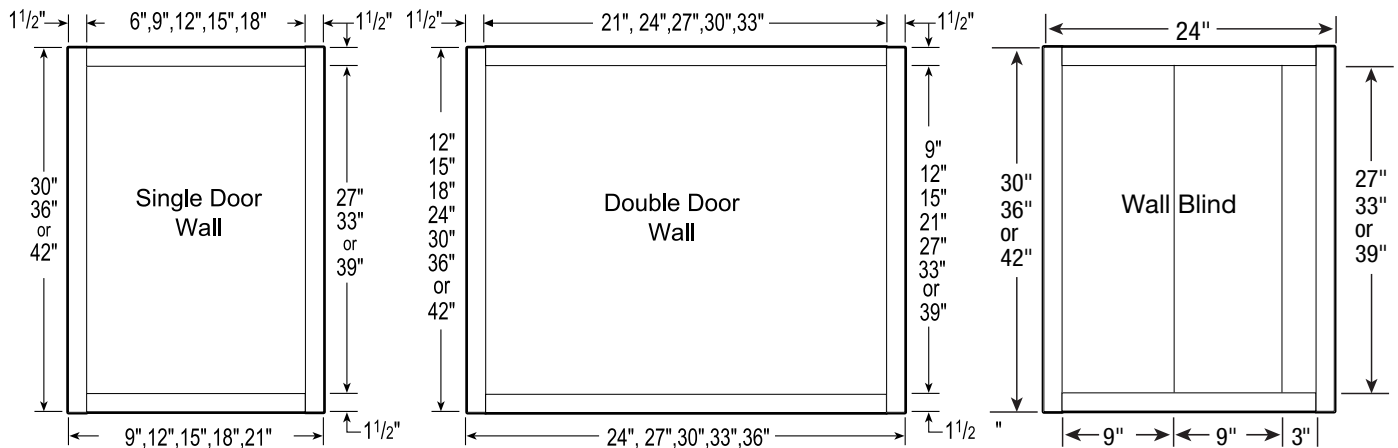
- Round knob
- Brushed nickel
- 1-1/4" diameter

DH99-128



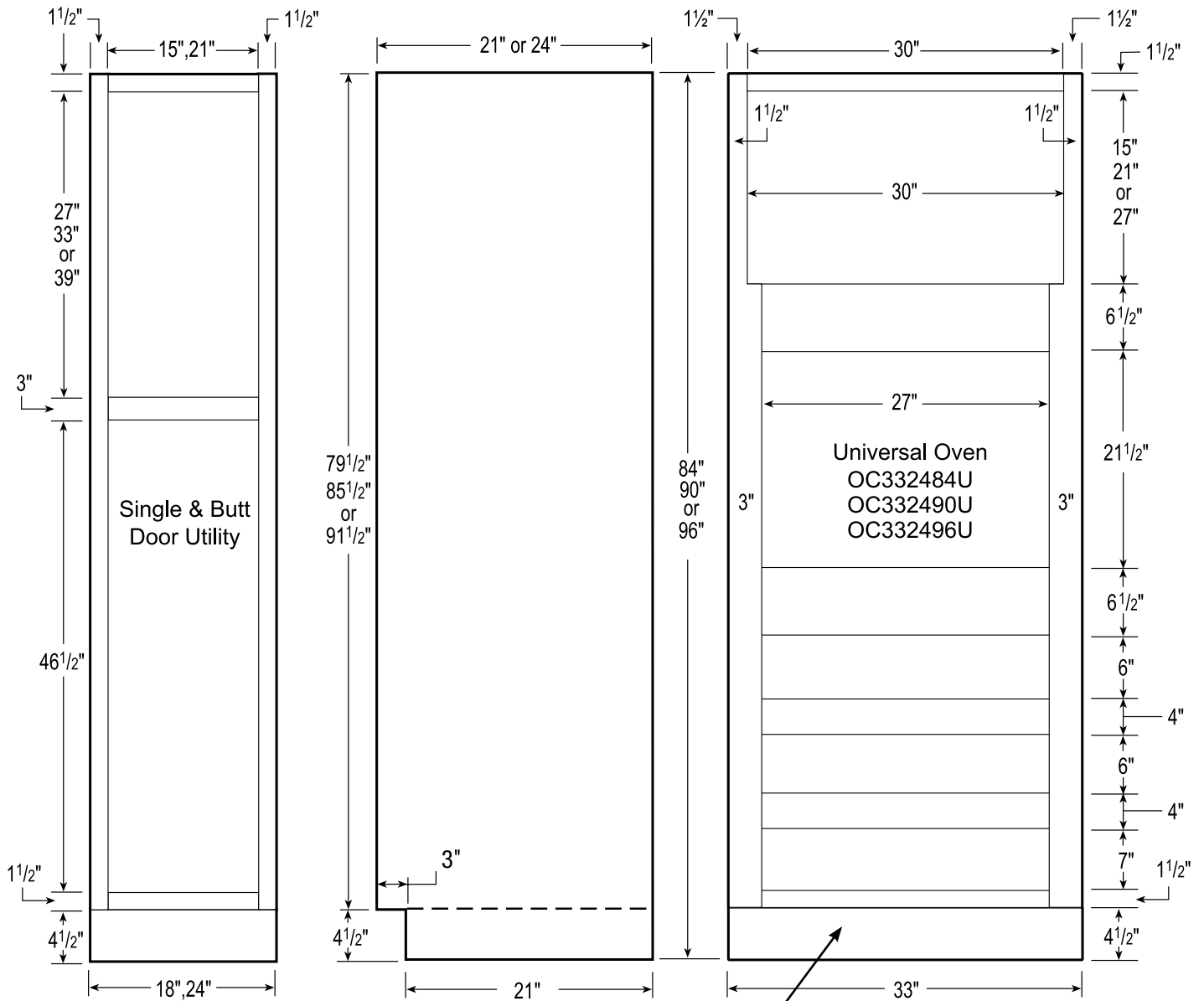
- Contemporary bow pull
- Brushed nickel
- 3-3/4" center (96mm)
- 5-1/4" outside length

Cabinet Frame & Opening Dimensions



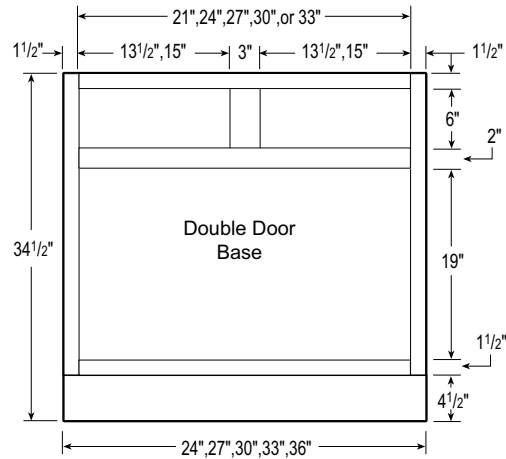
NOTE: B27, B30 have full width drawers

Cabinet Frame & Opening Dimensions

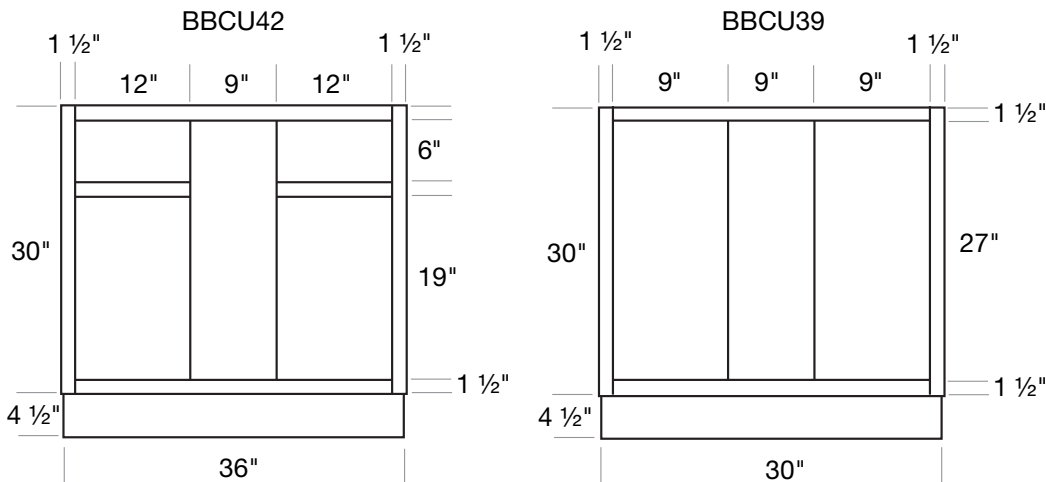


NOTE: 96" TALL CABINETS ARE SUPPLIED WITH LOOSE TOE KICK BOX (EXPOSED SIDES REQUIRE TALL COVER PANELS)

Cabinet Frame & Opening Dimensions

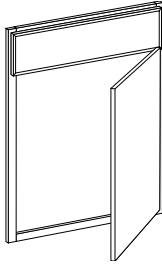


NOTE: B27, B30 have full width drawers



DRAWER BOX INSIDE DIMENSIONS						
CABINET	SHALLOW DRAWER			DEEP DRAWER		
	HEIGHT	DEPTH	WIDTH	HEIGHT	DEPTH	WIDTH
B12, BD12	4-3/8"	19-11/16"	6-7/8"	6-3/4"	19-11/16"	6-7/8"
VB1221, VBD1221	4-3/8"	16-11/16"	6-7/8"	6-3/4"	16-11/16"	6-7/8"
B15, BBCU42, BD15	4-3/8"	19-11/16"	9-7/8"	6-3/4"	19-11/16"	9-7/8"
VB1521, VBD1521	4-3/8"	16-11/16"	9-7/8"	6-3/4"	16-11/16"	9-7/8"
B18, BD18	4-3/8"	19-11/16"	12-7/8"	6-3/4"	19-11/16"	12-7/8"
VB1821, VBD1821	4-3/8"	16-11/16"	12-7/8"	6-3/4"	16-11/16"	12-7/8"
B21	4-3/8"	19-11/16"	15-7/8"	N/A	N/A	N/A
B24, BD24	4-3/8"	19-11/16"	18-7/8"	6-3/4"	19-11/16"	18-7/8"
VB2421	4-3/8"	16-11/16"	18-7/8"	N/A	N/A	N/A
B27	4-3/8"	19-11/16"	21-7/8"	N/A	N/A	N/A
B30, BD30	4-3/8"	19-11/16"	24-7/8"	6-3/4"	19-11/16"	24-7/8"
VB3021	4-3/8"	16-11/16"	24-7/8"	N/A	N/A	N/A
VBD3021	4-3/8"	16-11/16"	24-7/8"	6-3/4"	16-11/16"	24-7/8"
B33	4-3/8"	19-11/16"	11-1/4"	N/A	N/A	N/A
B36, BD36	4-3/8"	19-11/16"	12-7/8"	6-3/4"	19-11/16"	30-7/8"
VB3621	4-3/8"	16-11/16"	12-7/8"	N/A	N/A	N/A
OC332484U, OC332490U, OC332496U	4-3/8"	19-11/16"	24-7/8"	N/A	N/A	N/A

CFO - Cabinet Fronts Only



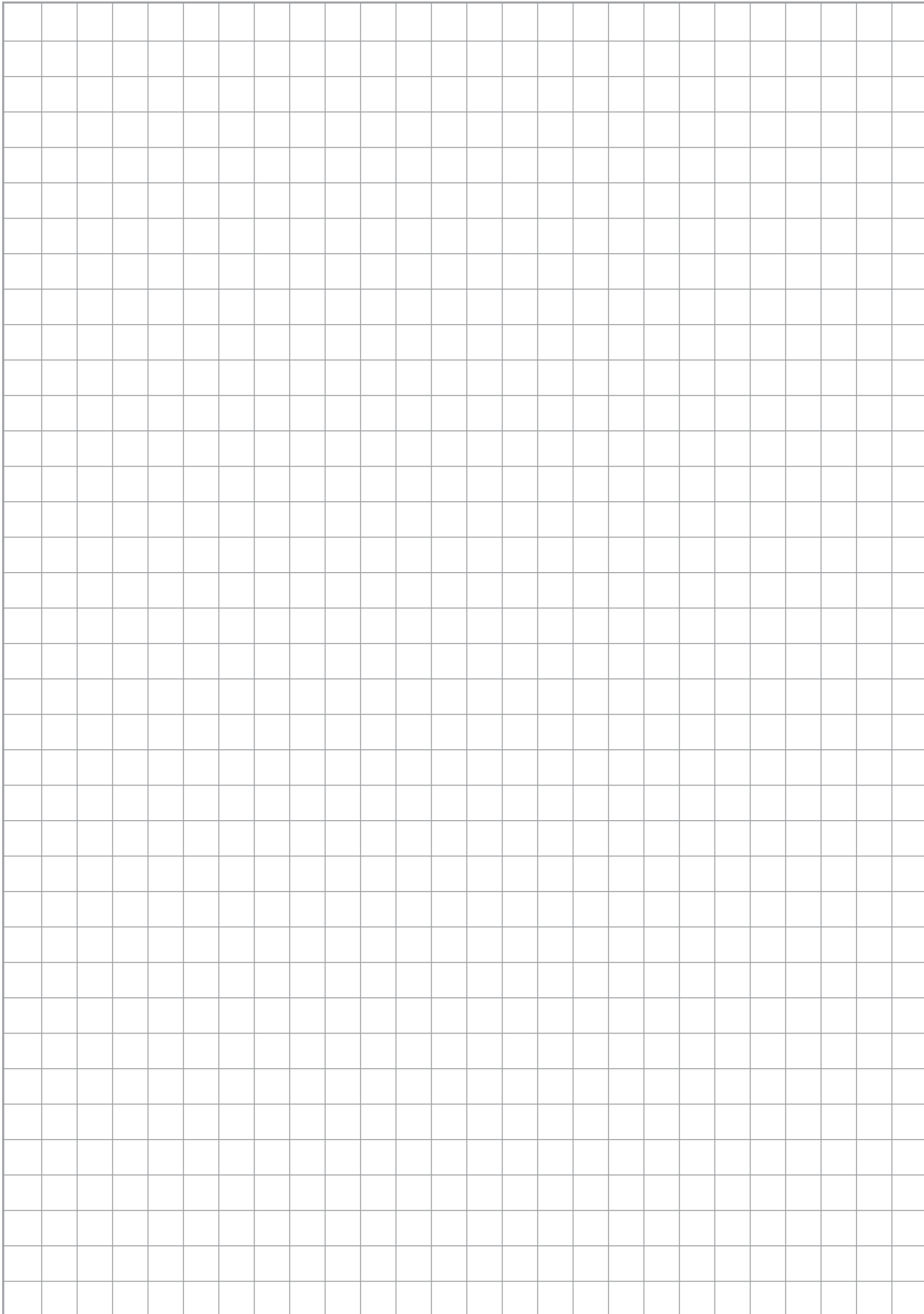
CFO Availability Guide

- Most cabinets can be ordered as "Cabinet Fronts Only" (CFO)
- Face frames, doors, hinges, and bumpers will be supplied and shipped loose
- Doors are pre-drilled for hinge installation
- In addition, plastic corner blocks will be supplied for false front installation requirements

CABINET	CFO CABINET FRONT
W0930	CFOW0930
W0936	CFOW0936
W0942	CFOW0942
W1230	CFOW1230
W1236	CFOW1236
W1242	CFOW1242
W1530	CFOW1530
W1536	CFOW1536
W1542	CFOW1542
W1830	CFOW1830
W1836	CFOW1836
W1842	CFOW1842
W2130	CFOW2130
W2136	CFOW2136
W2142	CFOW2142
W2412	CFOW2412
W2418	CFOW2418
W2430	CFOW2430
W2436	CFOW2436
W2442	CFOW2442
W2730	CFOW2730
W2736	CFOW2736
W2742	CFOW2742
W3012	CFOW3012
W3015	CFOW3015
W3018	CFOW3018
W3024	CFOW3024
W3030	CFOW3030
W3036	CFOW3036
W3042	CFOW3042
W3315	CFOW3315
W3330	CFOW3330
W3336	CFOW3336
W3342	CFOW3342
W3612	CFOW3612
W3615	CFOW3615
W3618	CFOW3618
W3624	CFOW3624
W3630	CFOW3630

CABINET	CFO CABINET FRONT
W3636	CFOW3636
W3642	CFOW3642
B09FH	CFOW0930
B12	CFOB12
B12FH	CFOW1230
B15	CFOB15
B15FH	CFOW1530
B18	CFOB18
B18FH	CFOW1830
B21	CFOB21
B21FH	CFOW2130
B24	CFOB24
B24FH	CFOW2430
B27	CFOB27
B27FH	CFOW2730
B30	CFOB30
B30FH	CFOW3030
B33	CFOB33
B33FH	CFOW3330
B36	CFOB36
B36FH	CFOW3630
BD12	CFOBD12
BD15	CFOBD15
BD18	CFOBD18
BD24	CFOBD24
BD30	CFOBD30
BD36	CFOBD36
EZR33	CFOEZR33
EZR36	CFOEZR36
OC3384	CFOOC3384
OC3390	CFOOC3390
OC3396	CFOOC3396
U1884	CFOU1884
U1890	CFOU1890
U1896	CFOU1896
U2484	CFOU2484
U2490	CFOU2490
U2496	CFOU2496

Sketch





DKC

DISTINCTIVE KITCHEN CABINETS

DistinctiveKitchenCabinets.com
Sales@DistinctiveKitchenCabinets.com



Member

NKBA

**LIFETIME
LIMITED
WARRANTY**

**CARB2
compliant** 

METRO-SPECBOOK-0522