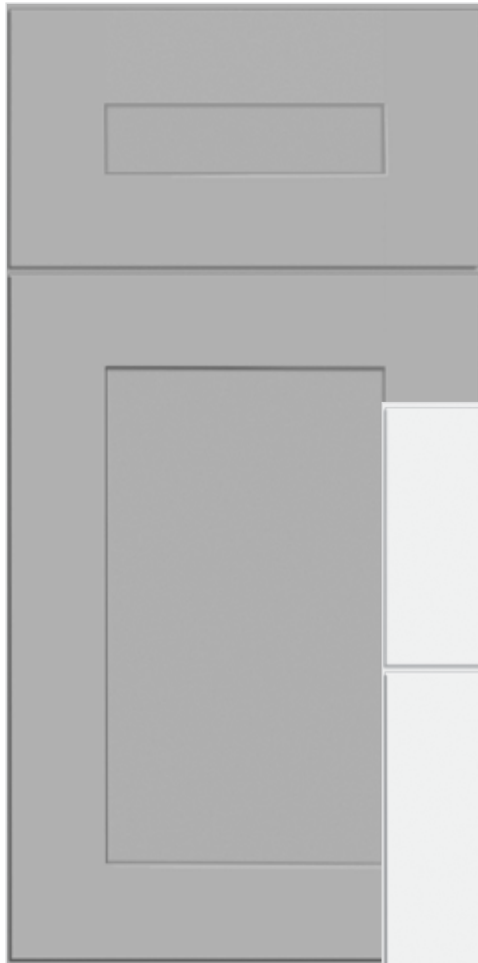
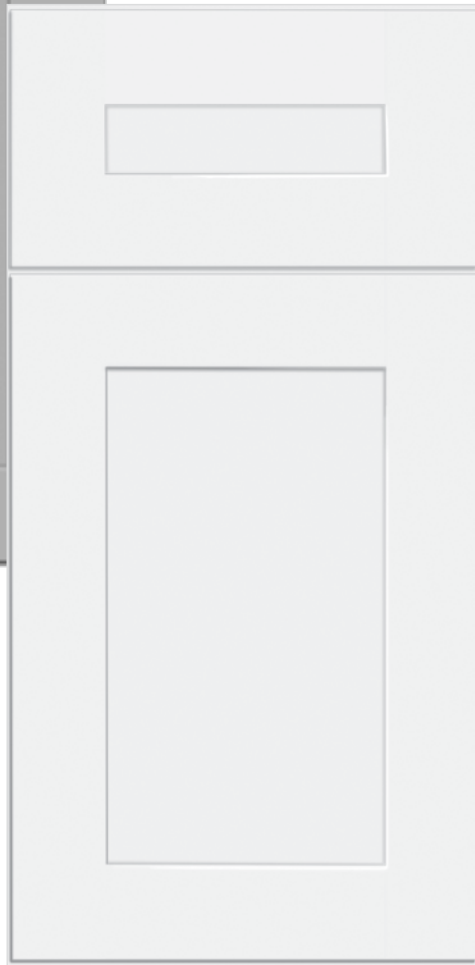


2 DAY* EXPRESS



Express Painted Pebble Gray

- Ships in 2 Days* or Less
- Hundreds Of Sizes
- All Plywood Construction
- Soft Close Doors & Drawers
- Premium Painted Finish



Express Painted Polar White

2 DAY* EXPRESS
KITCHEN AND BATH CABINETS

*2 Business Days

DistinctiveKitchenCabinets.com

DKC

DISTINCTIVE KITCHEN CABINETS



DISTINCTIVE KITCHEN CABINETS

EXPRESS KITCHEN & BATH CABINETS

Limited Lifetime Warranty

Ideal Cabinetry® (warrantor) warrants to the original consumer purchaser, that all products manufactured or supplied by warrantor will be free from defects in material and workmanship. This warranty is for your lifetime as long as you own the cabinetry, on product used for Residential Purposes only and is not transferable to subsequent owners. Proof of Purchase is required.

This warranty does not cover damage resulting from normal wear, accident, misuse or lack of reasonable and necessary maintenance and service; nor does it warranty the improper installation or unauthorized repair, alteration, or modification or defects in the product when the product is installed. This warranty is limited to the repair or replacement of the defective part at the sole discretion of warrantor. Warranty is limited to Ideal Cabinetry branded products excluding all electrical components: Excluded items may carry separate warranties as provided directly by the manufacturer of these products.

It is our option to provide repair parts or replace with functionally equivalent product. Return of product may be required for replacements. Such repair parts or replacement shall be at warrantor's expense, but customer shall bear all other expenses, including, but not limited to, cost of removal, transportation, re-installation, communication and any special service required by customer such as, overtime labor, etc.

Natural woods and finishes vary in color, grain pattern and exhibit color changes over time. Cabinets may darken or lighten with age due to exposure to certain environmental conditions including but not limited to sunlight, moisture, household cleaners, smoke, etc. Painted cabinets may show cracking at seams. These variations are considered the natural characteristics of the material and finishes and are not covered under this warranty.

In the event of a warranted product performance issue, submit request including proof of purchase documentation, specific description of warranty issue (include photos) in writing to:

Warranty Department
210 Century Boulevard
Bartow, FL 33830

Due to nature of materials and finishes Ideal Cabinetry cannot guarantee warranty replacement will be an exact match.

Ideal Cabinetry reserves the right to alter design, specifications and material without obligation to make changes to product previously manufactured.

EXCEPT TO THE EXTENT PROVIDED BY APPLICABLE LAW, ALL IMPLIED WARRANTIES, INCLUDING WARRANTIES OF MERCHANTABILITY AND FITNESS FOR A PARTICULAR PURPOSE, ARE LIMITED IN DURATION TO THE SHORTER OF THE PERIOD PROVIDED BY LAW OR THE PERIOD OF THIS WARRANTY, AND UNDER NO CIRCUMSTANCE SHALL IDEAL CABINETRY BE LIABLE FOR INCIDENTAL OR CONSEQUENTIAL DAMAGES SUSTAINED IN CONNECTION WITH THE PRODUCT. THE EXPRESS WARRANTY ABOVE CONSTITUTES THE ENTIRE WARRANTY AND IS IN LIEU OF ALL OTHERS EXPRESSED OR IMPLIED.

Some states do not allow the exclusion or limitation of incidental or consequential damages, or limitation on how long an implied warranty lasts, therefore, the above limitations or exclusions may not apply to you. This warranty gives you specific legal rights, and you may also have other rights, which vary from state to state.

INDEMNITY

Ideal Cabinetry shall not be liable for either its failure to perform or its delays in performance hereunder arising out of or resulting from causes beyond its control, including but not limited to, acts of God, acts of Representation, acts of Government, wars, fires, floods, epidemics, quarantine, strike, freight embargoes, weather or default by suppliers due to any such causes.

TABLE OF CONTENTS



- Door Styles 2
- Cabinet Construction 3
- Finished End..... 4
- Wall Cabinets 5-8
- Base Cabinets 9-13
- Tall Cabinets 14-15
- Vanity Cabinets..... 16-18
- Accessories..... 19-21
- Decorative Molding 22-23
(includes crowns and light rails)
- Decorative Hardware 24-26
(includes handles and knobs)
- Cabinet Frame & Opening Dimensions 27-29

PLEASE NOTE: Line drawings are artistic representations of products for general dimensioning purposes. These should not be relied upon for accurate product appearance. Please consult the website or a designer if you have any questions or specific design requirements.



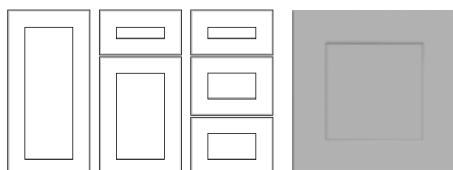
Express Painted Polar White (XPW)



- 3/4" thick x 3" wide MDF Shaker framed doors with 5/8" thick solid MDF center panels
- 3/4" thick x 3" wide MDF Shaker framed drawer fronts with 5/8" thick solid MDF recessed center panels
- Soft close hinges & full extension drawers with soft close
- Available in White painted finish
- Decorative hardware required

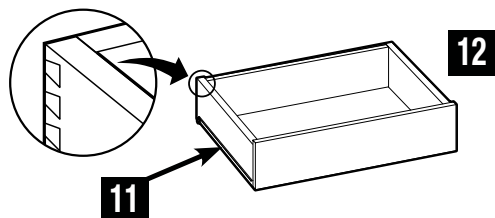
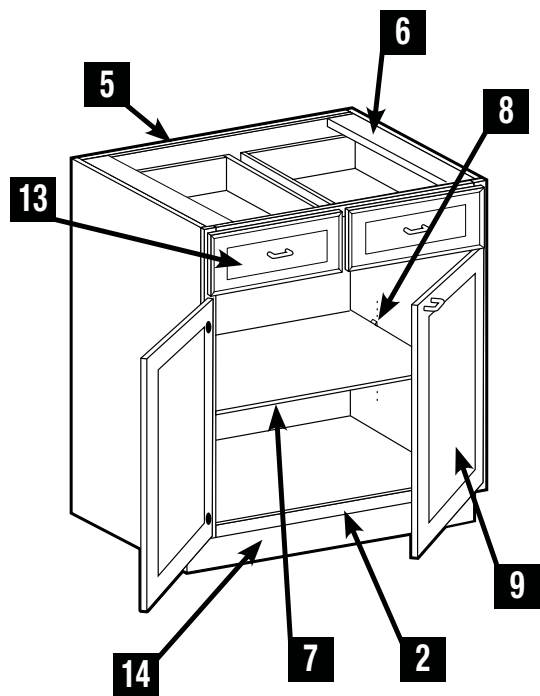
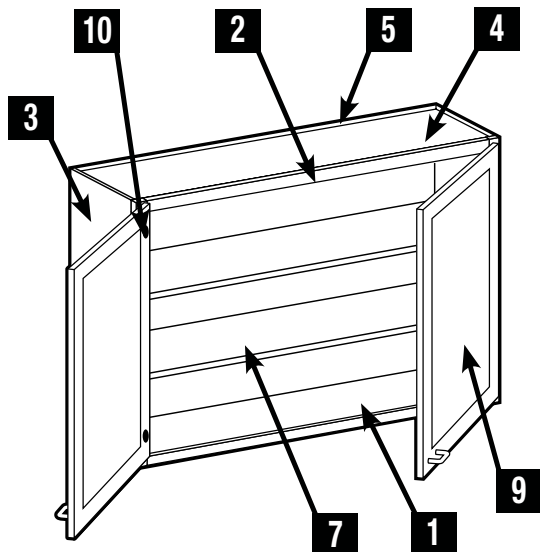


Express Painted Pebble Gray (XPG)



- 3/4" thick x 3" wide MDF Shaker framed doors with 5/8" thick solid MDF center panels
- 3/4" thick x 3" wide MDF Shaker framed drawer fronts with 5/8" thick solid MDF recessed center panels
- Soft close hinges & full extension drawers with soft close
- Available in Gray painted finish
- Decorative hardware required

All of our painted door styles feature solid wood painted face frames. As with any painted wood surface, expansion and contraction with changes in climate may cause fractures in the paint surface at joints. This is an acceptable characteristic and will vary based on climate conditions. In addition, there may be a slight color shift over time due to continued exposure to both natural and artificial light.



1	INTERIOR	Natural birch vinyl laminate provides a durable, wipe clean finish.
2	FACE FRAME	1½" wide x ¾" thick solid hardwood pocket screwed.
3	END PANELS	½" thick CARB2 plywood, exterior vinyl laminate is color matched to the face frame.
4	FLOOR & CEILING	½" thick CARB2 plywood, both sides captured by end panels.
5	BACK PANELS	½" thick CARB2 plywood with natural birch vinyl laminate interior and raw exterior. The 'clipped' back panels on Wall Angle and Easy Reach Corner cabinets will be ¼" plywood.
6	"I-BEAM" SUPPORTS	½" thick CARB2 plywood, full depth braces provide stability and support for countertop attachment.
7	ADJUSTABLE SHELVES	¾" thick CARB2 plywood finished with natural birch vinyl laminate and matching edgebanding. Base and wall adjustable shelves are full depth.
8	SHELF SUPPORTS	Clear, high strength plastic with locking top tab to prevent shelf tip. Provides easy shelf adjustment.
9	DOORS	Stylish, full-overlay doors available in stained hardwoods or MDF. See pages 2-3 for details.
10	HINGES	Fully concealed 110° opening Soft Close hinges with 6-way adjustment for ease of alignment.
11	RUNNERS/ GLIDES	Drawers feature smooth gliding, full extension, ball bearing runners with Soft Closing shocks that engage when drawer is 1" from closed. Interior roll out trays have epoxy coated side mount runners. Both are rated for 100lb static and 75lb dynamic loads.
12	DRAWERS & ROLL-OUT TRAYS	5/8" thick finger jointed hardwood four sided dovetail box construction, finished with a clear top coat and a ¼" thick captured plywood floor.
13	DRAWER FRONTS	Stylish full overlay drawer fronts available in solid hardwood or MDF. See pages 2-3 for details. For standard kitchen and vanity cabinets, the top drawer front is 8" high & bottom two drawer fronts are 10 ½" high
14		½" thick plywood secured between end panels. Provides solid backing for installation of Matching Toe Kick (MTK8) or other materials such as ceramic, vinyl, etc.

FINISHED END



1. Standard End Panels are 1/2" thick CARB2 plywood. Exterior vinyl laminate matches face frame finish.

WALL CABINET CODING

STANDARD (12" DEEP)

W 30 30

↑ Cabinet Code ↑ Cabinet Width ↑ Cabinet Height

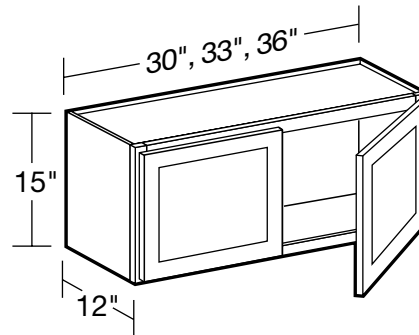
REFRIGERATOR (24" DEEP)

W 36 24 18

↑ Cabinet Code ↑ Cabinet Width ↑ Cabinet Depth ↑ Cabinet Height

- All wall cabinets are 12" deep unless otherwise noted. Actual height of 24" high cabinets is 23½" overall. Refrigerator wall cabinets are 24" deep.
- Cabinet depth does not include door thickness
- Products are available in all door styles unless stated otherwise
- Standard cabinet exterior is color matched to face frame
- Soft close hinges

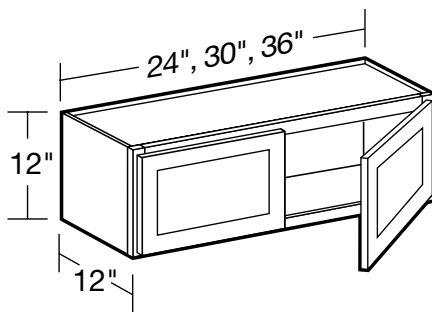
15" High Double Door



W3015
W3315
W3615

- No adjustable shelf

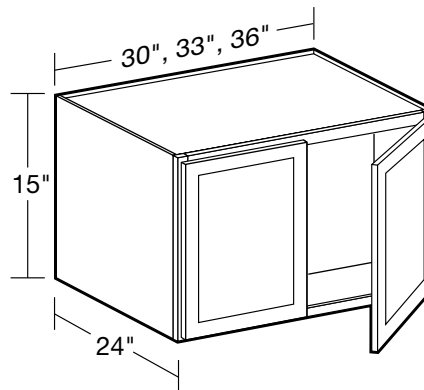
12" High Double Door



W2412
W3012
W3612

- No adjustable shelf

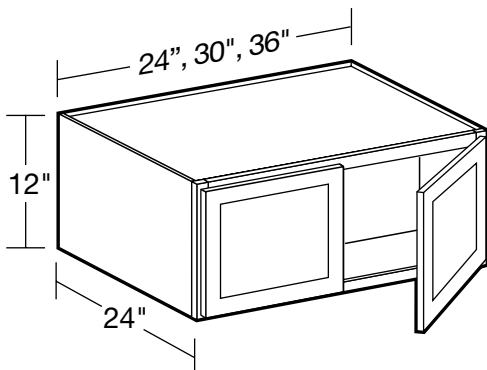
15" High x 24" Deep Double Door



W302415
W332415
W362415

- No adjustable shelf
- Must be installed between two cabinets, cabinet and wall, or supported by refrigerator panels (RP)

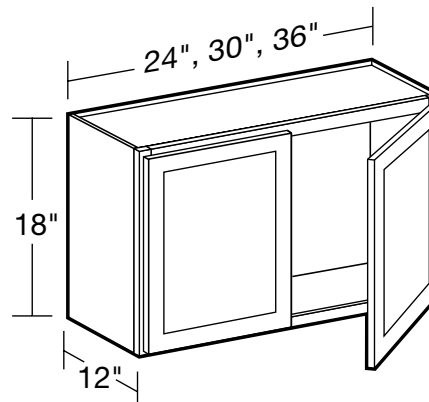
12" High x 24" Deep Double Door



W242412
W302412
W362412

- No adjustable shelf
- Must be installed between two cabinets, cabinet and wall, or supported by refrigerator panels (RP)

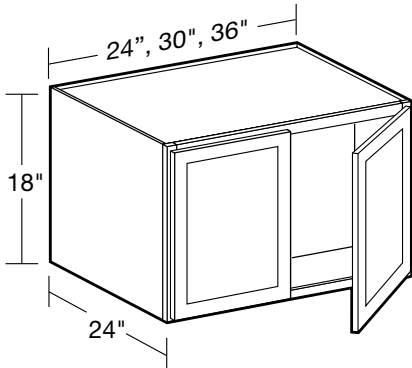
18" High Double Door



W2418
W3018
W3618

- No adjustable shelf

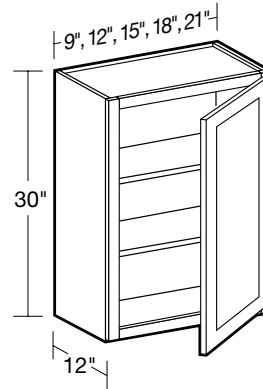
18" High x 24" Deep Double Door



W242418
W302418
W362418

- No adjustable shelf
- Must be installed between two cabinets, cabinet and wall, or supported by refrigerator panels (RP)

30" High Single Door

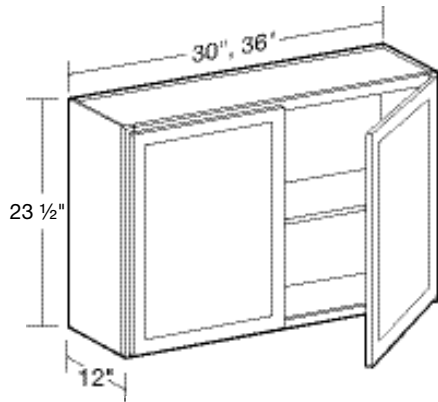


SPECIFY
RIGHT or LEFT HINGED

W0930
W1230
W1530
W1830
W2130

- Two adjustable shelves

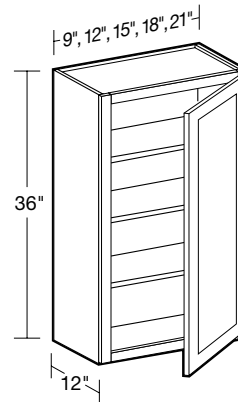
24" High Double Door



W3024
W3624

- One adjustable shelf

36" High Single Door

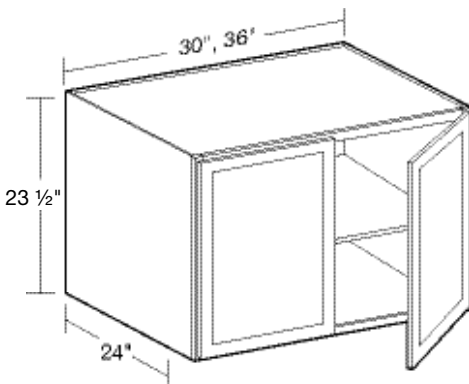


SPECIFY
RIGHT or LEFT HINGED

W0936
W1236
W1536
W1836
W2136

- Three adjustable shelves

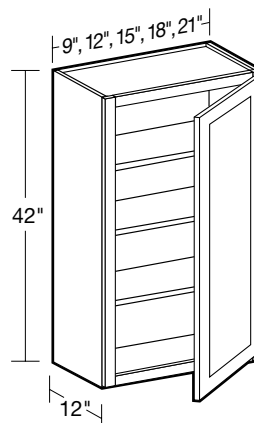
24" High x 24" Deep Double Door



W302424
W362424

- One adjustable shelf
- Must be installed between two cabinets, cabinet and wall, or supported by refrigerator panels (RP)

42" High Single Door

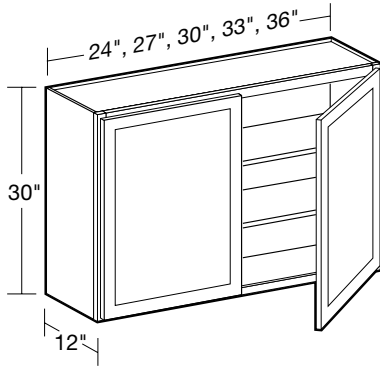


SPECIFY
RIGHT or LEFT HINGED

W0942
W1242
W1542
W1842
W2142

- Three adjustable shelves

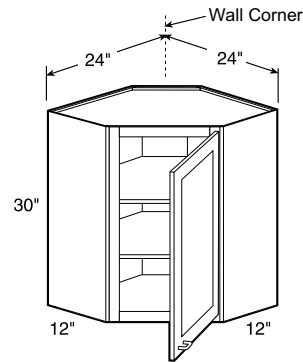
30" High Double Door



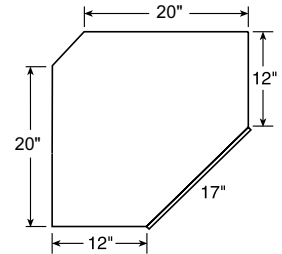
W2430
W2730
W3030
W3330
W3630

- Two adjustable shelves

30" High Wall Angle

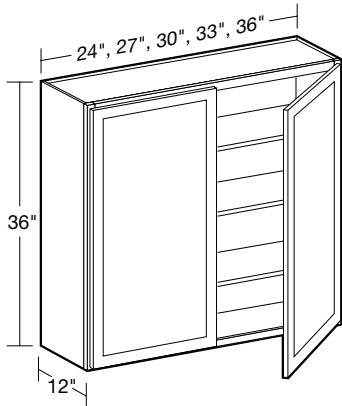


SPECIFY
RIGHT or LEFT HINGED
WA2430



- Two adjustable shelves
- Clip corner back provides clearance for installation
- Clip corner back is 1/4" plywood

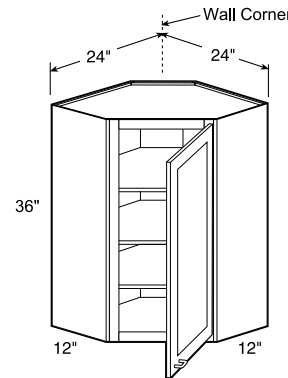
36" High Double Door



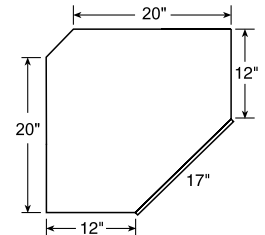
W2436
W2736
W3036
W3336
W3636

- Three adjustable shelves

36" High Wall Angle

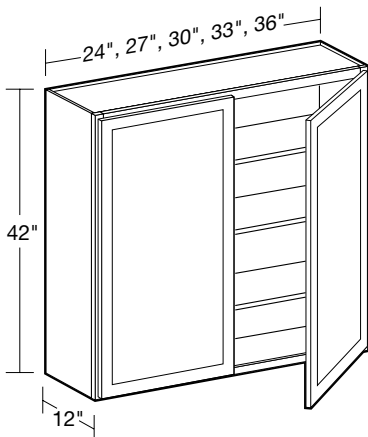


SPECIFY
RIGHT or LEFT HINGED
WA2436



- Three adjustable shelves
- Clip corner back provides clearance for installation
- Clip corner back is 1/4" plywood

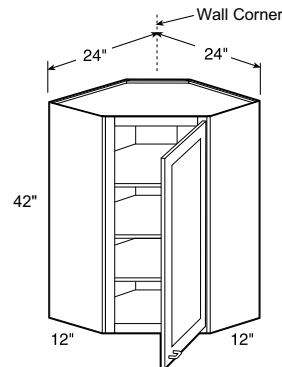
42" High Double Door



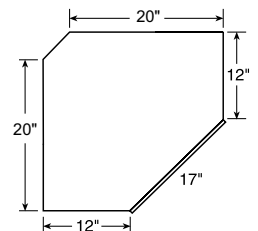
W2442
W2742
W3042
W3342
W3642

- Three adjustable shelves

42" High Wall Angle

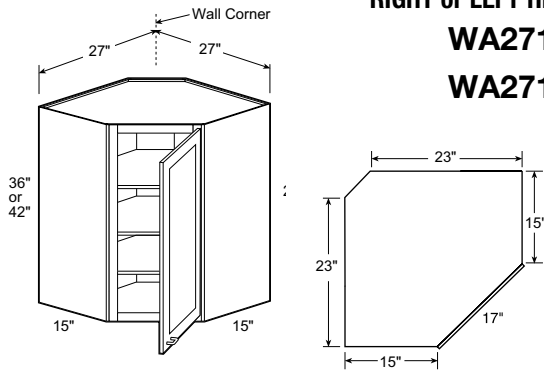


SPECIFY
RIGHT or LEFT HINGED
WA2442



- Three adjustable shelves
- Clip corner back provides clearance for installation
- Clip corner back is 1/4" plywood

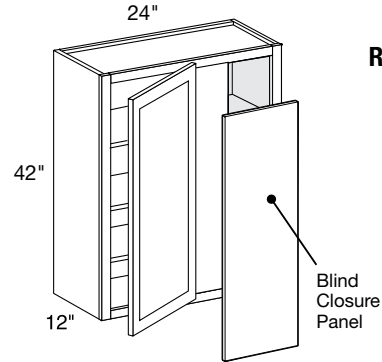
36" and 42" High x 15" Deep Wall Angle



SPECIFY
RIGHT or LEFT HINGED
WA271536
WA271542

- Three adjustable shelves
- Clip corner back provides clearance for installation
- Clip corner back is 1/4" plywood

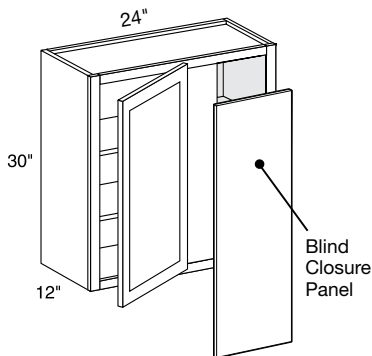
42" High Wall Blind Corner



SPECIFY
RIGHT or LEFT BLIND
WBCU2742

- Three adjustable shelves
- Indicate R or L for blind side (right shown)
- Cabinet can be pulled for exact fit (see installation chart)
- 3" filler & 3/16" blind closure panel included
- Door width is 11-3/4"

30" High Wall Blind Corner

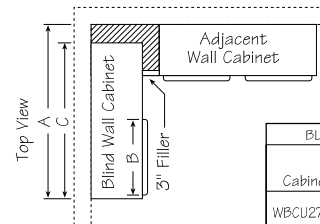


SPECIFY
RIGHT or LEFT BLIND
WBCU2730

- Two adjustable shelves
- Indicate R or L for blind side (right shown)
- Cabinet can be pulled for exact fit (see installation guide)
- 3" filler & 3/16" blind closure panel included
- Door width is 11-3/4"

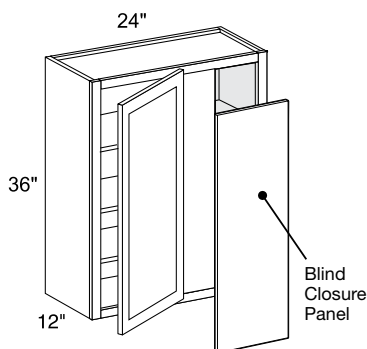
Blind Corner Installation Guide

*Gray area represents empty space. Cabinet is designed to be pulled for exact space.



Cabinet	BLIND WALL INSTALLATION GUIDE		
	Wall Space "A"	Frame Opening	Cabinet
WBCU2730	Min 25" Max 30"	8 7/8"	24"
WBCU2736	Min 25" Max 30"	8 7/8"	24"
WBCU2742	Min 25" Max 30"	8 7/8"	24"

36" High Wall Blind Corner



SPECIFY
RIGHT or LEFT BLIND
WBCU2736

- Three adjustable shelves
- Indicate R or L for blind side (right shown)
- Cabinet can be pulled for exact fit (see installation guide)
- 3" filler & 3/16" blind closure panel included
- Door width is 11-3/4"

Staggering Upper Cabinets



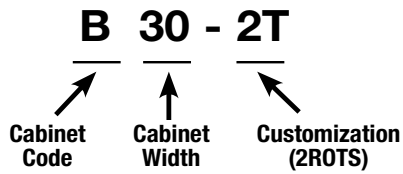
When using the 27" Deep corner cabinets, make sure to place a 3/4" filler next to adjacent cabinet if the adjacent cabinet is shallower.

Placing wall cabinets next to a return wall



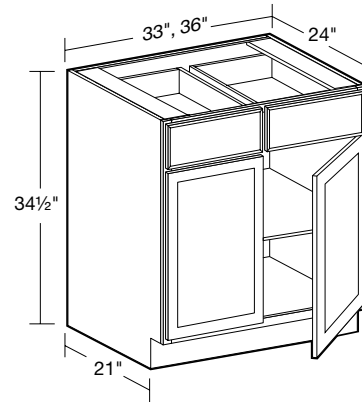
When placing cabinets against a side wall, use a minimum of 3/4" filler between wall and cabinet to allow doors to open

BASE CABINET CODING



- Standard Base Cabinets are 24" deep and 34½" high
- Desk Height base cabinets are 21" deep and 28½" high
- Cabinet depth does not include door thickness
- Products are available in all door styles unless stated otherwise
- Standard cabinet exterior is color matched to face frame
- Base cabinets are shipped with an unfinished toekick. Finished toekicks in matching wood veneer or painted MDF must be ordered separately and field installed.
- Soft close hinges & full extension drawers with soft close

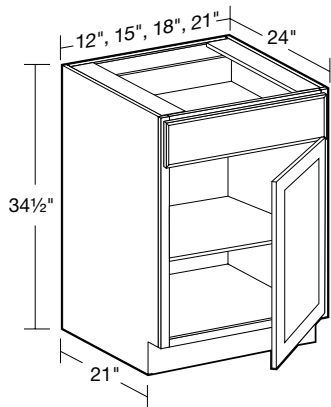
24" Deep Double Door



B33
B36

- One full-depth adjustable shelf

24" Deep Single Door

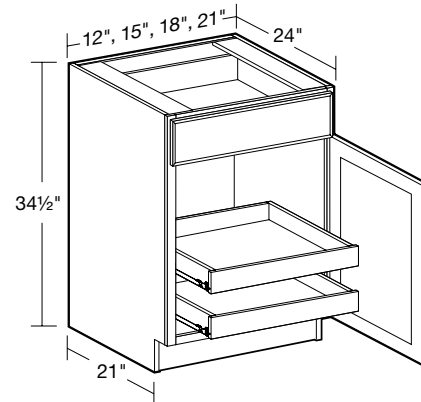


SPECIFY
RIGHT or LEFT HINGED

B12
B15
B18
B21

- One full-depth adjustable shelf

24" Deep Single Door with 2 Roll-Out Trays



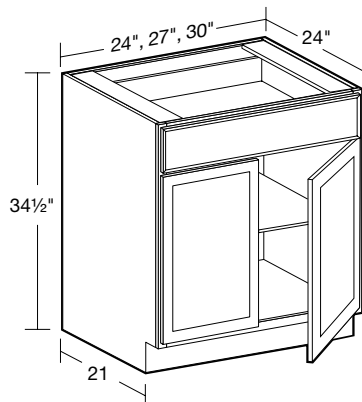
SPECIFY
RIGHT or LEFT HINGED

B12-2T
B15-2T
B18-2T
B21-2T

- Two full width roll-out trays

NOTE: Roll-out trays are not full extension, soft close or adjustable

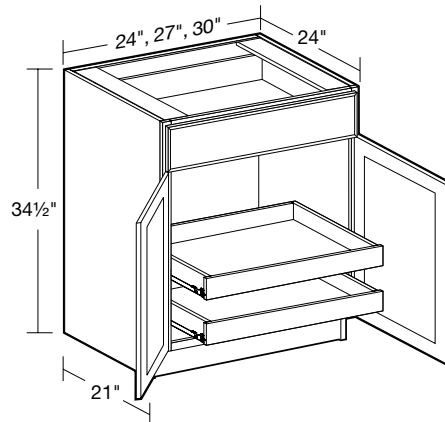
24" Deep Double Door



B24
B27
B30

- One full-depth adjustable shelf

24" Deep Double Door with 2 Roll-Out Trays

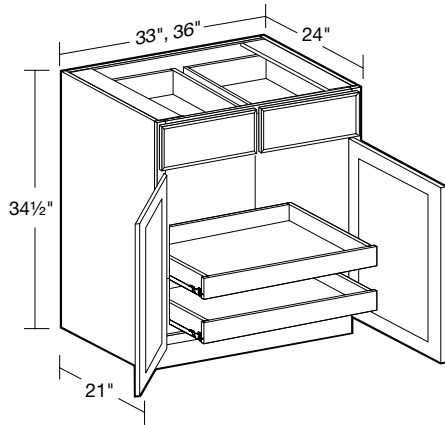


B24-2T
B27-2T
B30-2T

- Two full width roll-out trays

NOTE: Roll-out trays are not full extension, soft close or adjustable

24" Deep Double Door with 2 Roll-Out Trays



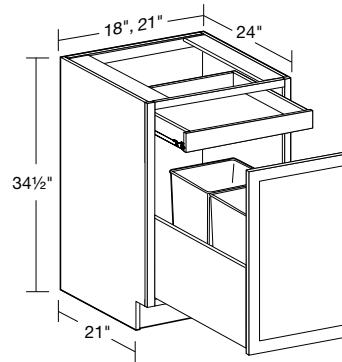
B33-2T

B36-2T

- Two full-depth roll-out trays

NOTE: Roll-out trays are not full extension, soft close or adjustable

24" Deep DELUXE Double 35 qt. Waste Basket Pullout

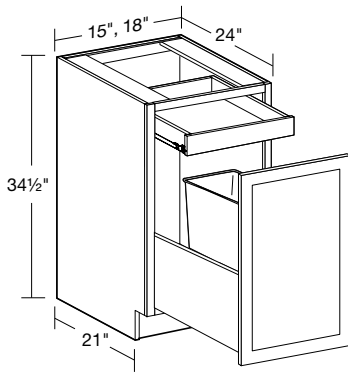


B2DWB18

B2DWB21

- Baskets slide on heavy duty, full extension, Soft Close runners
- Two 35 quart white plastic baskets sit in a dovetailed plywood drawer box
- Baskets are removable
- Basket dimensions: 14"W x 10"D x 18"H
- Top mount roll-out tray for trash bag storage
- **SOFT CLOSE INCLUDED!**

24" Deep DELUXE Single 35 qt. Waste Basket Pullout

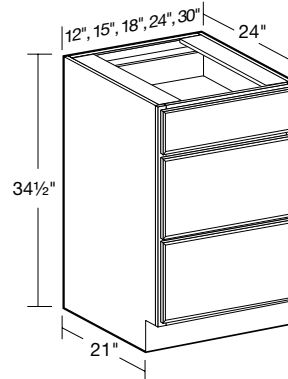


B1DWB15

B1DWB18

- Basket slides on heavy duty, full extension, Soft Close runners
- 35 quart white plastic basket sits in a dovetailed plywood drawer box
- Basket is removable
- Basket dimensions: 14"W x 10"D x 18"H
- Top mount roll-out tray for trash bag storage
- **SOFT CLOSE INCLUDED!**

24" Deep Base - 3 Drawers



BD12

BD15*

BD18

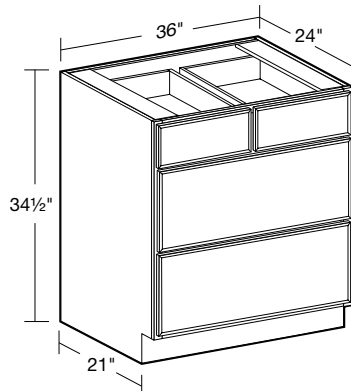
BD24

BD30

- One standard top drawer
- Two deep drawers

* Maximum drawer handle width for lower drawers is 4" wide for raised panel styles, 5 1/2" wide for recessed panel styles.

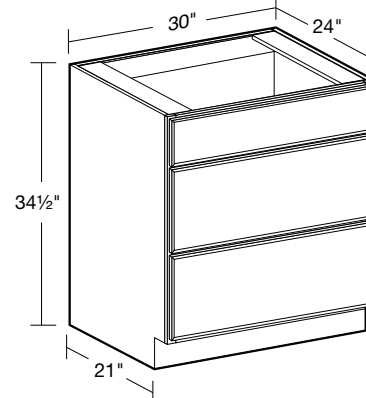
24" Deep Base - 4 Drawers



BD36

- Two standard top drawers
- Two deep drawers

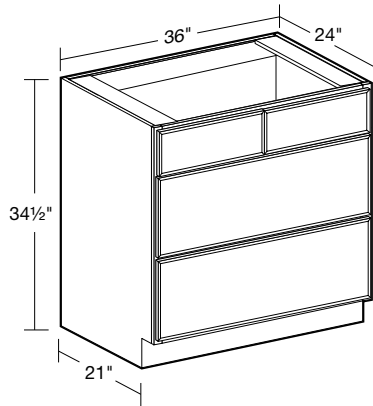
24" Deep Base Cooktop - Single False Front



BCT30

- False top drawer front
- Two deep drawers
- Accepts drop-in cooktop

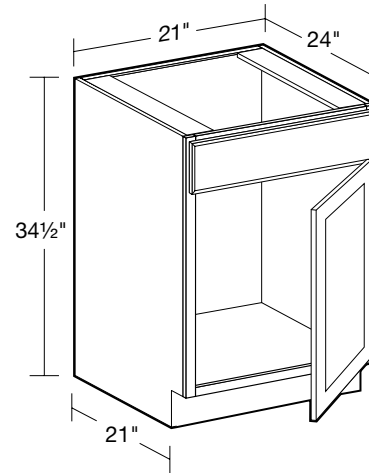
24" Deep Base Cooktop - Double False Front



BCT36

- False top drawer fronts
- Two deep drawers
- Accepts drop-in cooktop

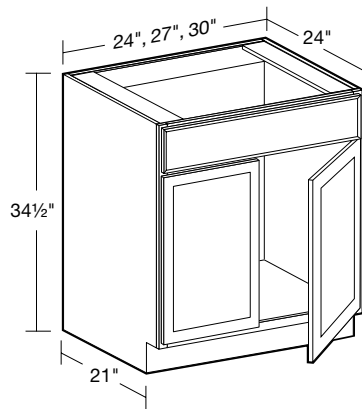
21" Deep Single Door Sink Base



**SPECIFY
RIGHT or LEFT HINGED
SB21**

- Maximum sink cutout 19" wide
- No shelf
- False drawer front

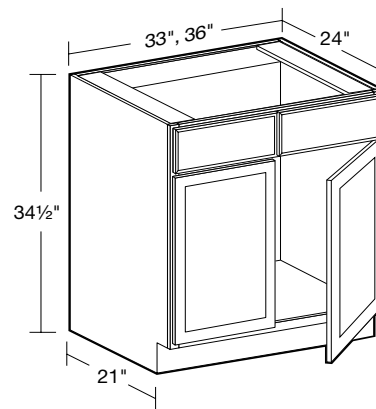
24" Deep Sink Base



**SB24
SB27
SB30**

- No shelf, false drawer front
- May also be used as drop-in cooktop base

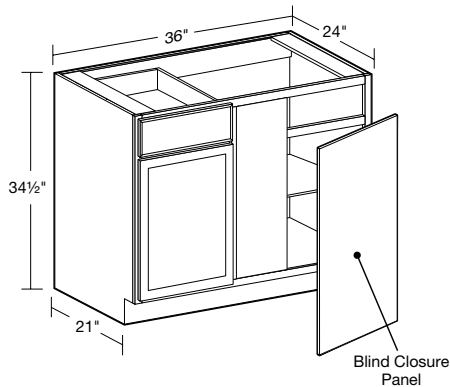
24" Deep Sink Base



**SB33
SB36**

- No shelf, two false drawer fronts
- May also be used as drop-in cooktop base

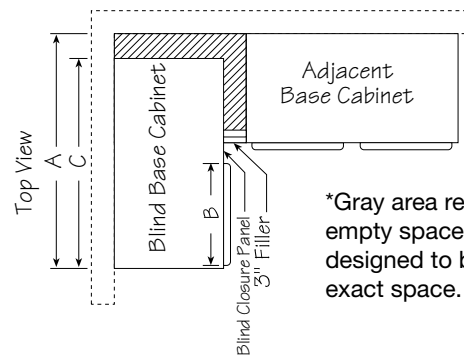
24" Deep Blind Base Corner



**SPECIFY
RIGHT or
LEFT BLIND
BBCU42**

- Indicate R or L for blind side (right shown)
- Cabinet can be pulled for exact fit (see installation chart)
- 3" filler & 3/16" blind closure panel included
- Door width is 14-3/4"

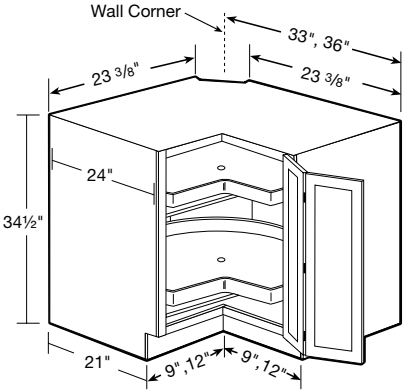
Blind Base Corner Installation



*Gray area represents empty space. Cabinet is designed to be pulled for exact space.

BLIND BASE INSTALLATION GUIDE				
Cabinet	Wall Space "A"		Frame Opening	Cabinet
	Min	Max	Width "B"	Width "C"
BBCU42	42"	45"	12"	36"

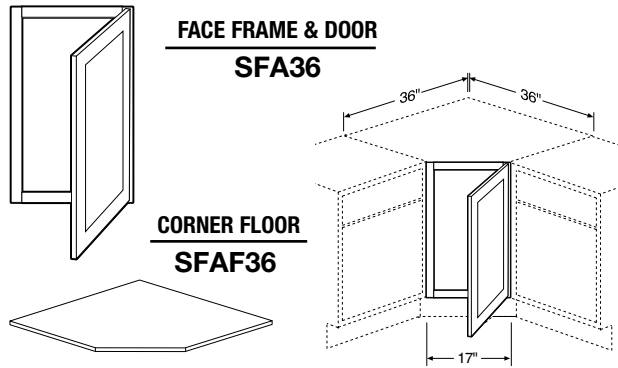
33" and 36" Easy Reach Super Suzan



**SPECIFY
RIGHT or LEFT HINGED
EZR33SS
EZR36SS**

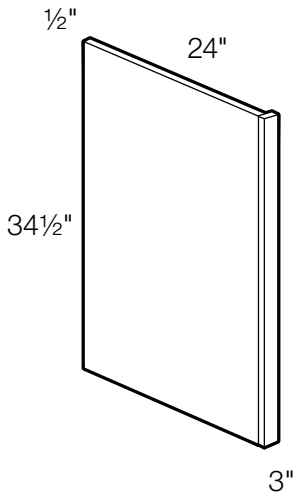
- Two 26" or 28" diameter, pie-cut independently revolving all wood shelves
- Doors open 170 degrees for easy access
- Clip corner is 1/4" plywood
- **SOFT CLOSE DOOR (SCD) OPTION NOT AVAILABLE**

Sink Front Angle



- Angle sink front must be installed between two cabinets
- Frame/door can be installed with hinges on right or left
- Floor support and toe base must be field constructed
- Maximum sink width for this application 25 3/4"

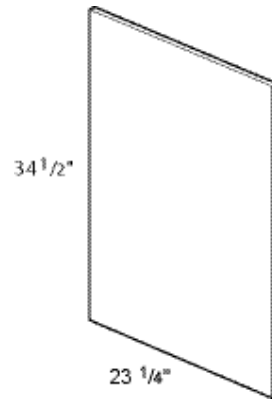
24" Deep End Panel with 3" wide Filler



BP3

- 3" wide solid wood filler included
- Panel and filler supplied loose for field assembly
- Reversible, may be installed left or right
- 1/2" thick plywood panel finished with vinyl laminate color matched to cabinetry face frame

Base Skin



BSK345

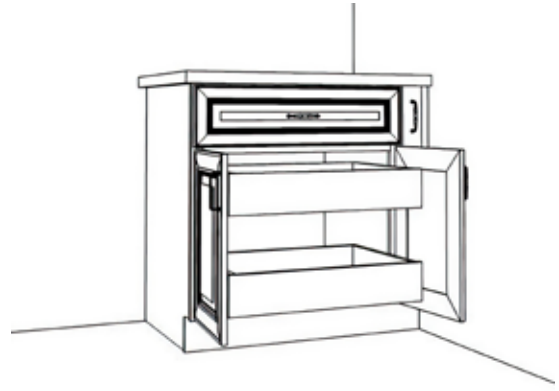
- 1/8" thick plywood finished with vinyl laminate color matched to cabinetry face frame
- Field modified and installed
- Can be field modified for shallower depth cabinets
- Finish matches cabinetry face frame

Designing Around a Range



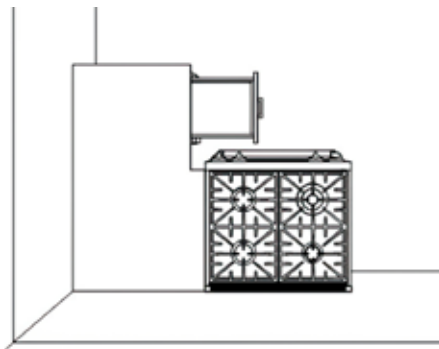
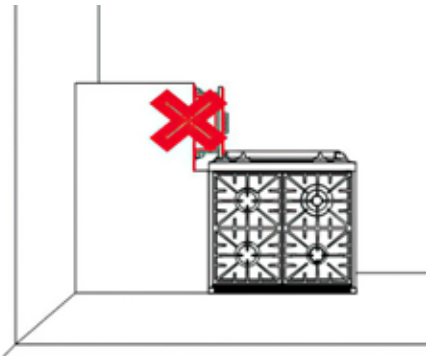
Make sure to give landing space on each side of a cooking appliance when placing in design.

Clearance for Roll Out Trays



Be sure to leave enough clearance for doors to open at least 90 degrees. This will allow the roll out trays to be operated correctly.

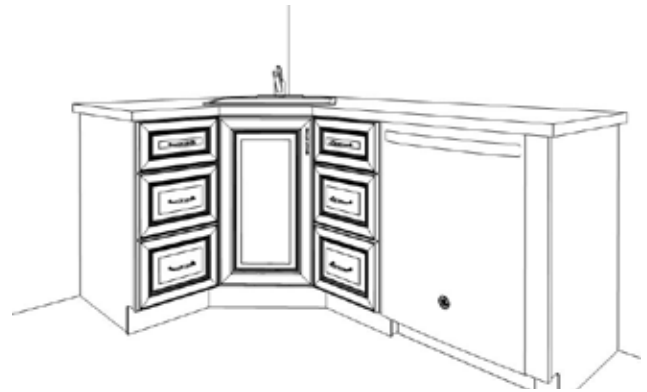
Blind Cabinets with Drawers



When placing a blind base cabinet, cabinet with drawer or trash pull out, make sure to allow enough clearance so drawer/pull out will open fully.

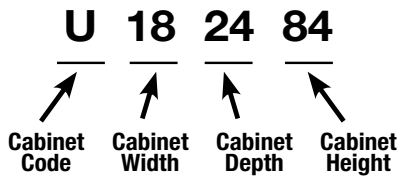
Make sure to leave enough space to allow drawer to open if placing around corner from range or appliance.

Using a Sink Front Angle



For sufficient dishwasher door clearance and loading/unloading space, a 15" wide base cabinet is recommended for use between a corner sink base and dishwasher.

TALL CABINET CODING

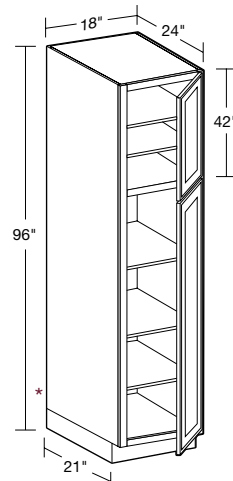


- Standard Tall Cabinets are 24" deep
- Add door thickness for total cabinet depth
- Products are available in all door styles unless stated otherwise
- Standard cabinet exterior is color matched to face frame
- Soft close hinges

24" Deep Two Door Utility

**SPECIFY
RIGHT or LEFT HINGED**

U182496



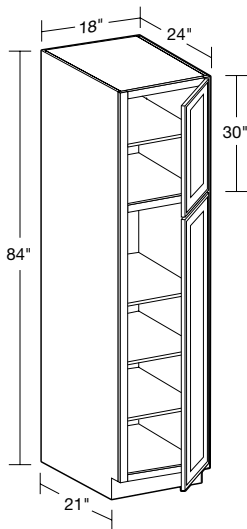
- One fixed shelf dividing upper and lower doors, five adjustable shelves
- * Loose toe kick box for ease of installation

NOTE: Loose toe kick box will have a finished side, but will have a seam at bottom

24" Deep Two Door Utility

**SPECIFY
RIGHT or LEFT HINGED**

U182484

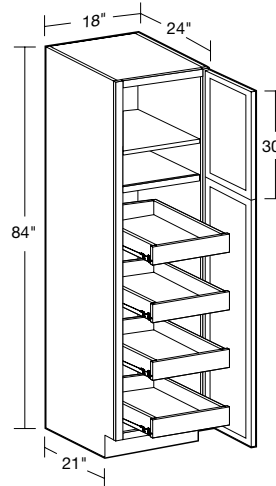


- One fixed shelf dividing upper and lower doors, four adjustable shelves

**24" Deep Two Door Utility
with Four Rollout Trays**

**SPECIFY
RIGHT or LEFT HINGED**

U182484-4T

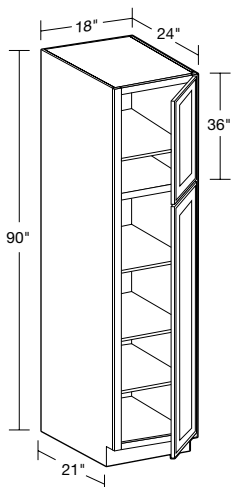


- One fixed shelf dividing upper and lower doors
- Four repositionable, full width rollout trays
- One adjustable shelf

24" Deep Two Door Utility

**SPECIFY
RIGHT or LEFT HINGED**

U182490

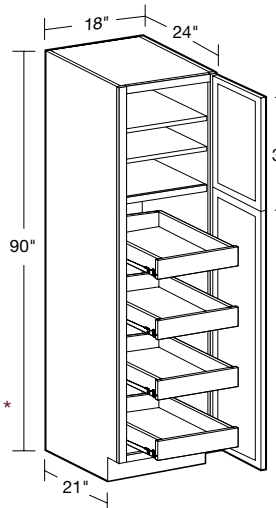


- One fixed shelf dividing upper and lower doors, four adjustable shelves

**24" Deep Two Door Utility
with Four Rollout Trays**

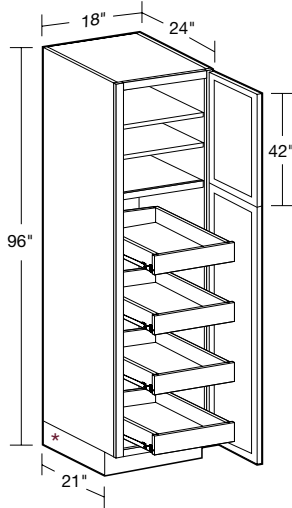
**SPECIFY
RIGHT or LEFT HINGED**

U182490-4T



- One fixed shelf dividing upper and lower doors
- Four repositionable, full width rollout trays
- Two adjustable shelves

24" Deep Two Door Utility with Four Rollout Trays

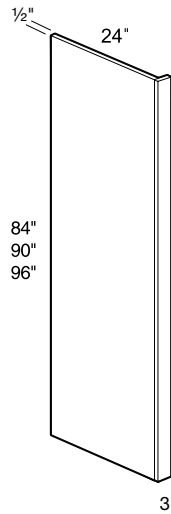


**SPECIFY
RIGHT or LEFT HINGED
U182496-4T**

- One fixed shelf dividing upper and lower doors
- Four repositionable, full width rollout trays
- Two adjustable shelves
- * Loose toe kick box for ease of installation

NOTE: Loose toe kick box will have a finished side, but will have a seam at bottom

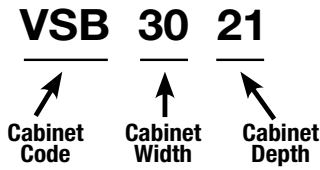
24" Deep Refrigerator Panel with 3" wide Filler



**RP384
RP390
RP396**

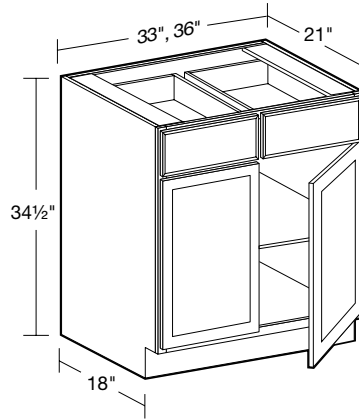
- 3" wide solid wood filler included
- Panel and filler supplied loose for field assembly
- Reversible, may be installed left or right
- 1/2" thick plywood panel finished with vinyl laminate color matched to cabinetry face frame
- Filler may be scribed up to 5/8"

VANITY CABINET CODING



- Standard Vanity Base Cabinets are 21" deep and 34½" high
- Cabinet depth does not include door thickness
- Products are available in all door styles unless stated otherwise
- Standard cabinet exterior is color matched to face frame

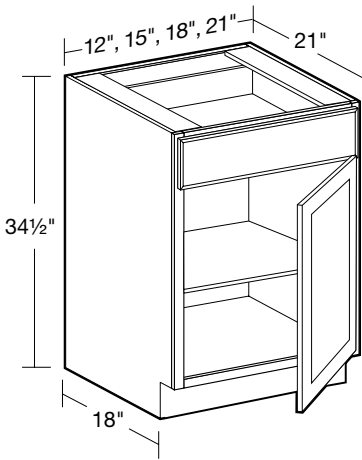
21" Deep Double Door Vanity Base



**STANDARD
21" DEPTHS**
VB3321
VB3621

- One full depth adjustable shelf
- Two standard drawers

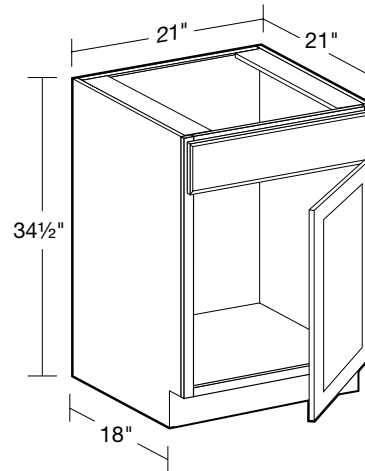
21" Deep Single Door Vanity Base



**SPECIFY
RIGHT or LEFT HINGED**
**STANDARD
21" DEPTHS**
VB1821 VB1221
VB2121 VB1521

- One full depth adjustable shelf
- One standard drawer

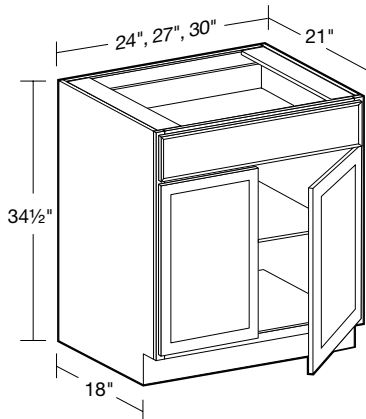
21" Deep Single Door Vanity Sink Base



**SPECIFY
RIGHT or LEFT HINGED**
VSB2121

- Maximum sink cutout 19" wide
- No shelf
- False drawer front

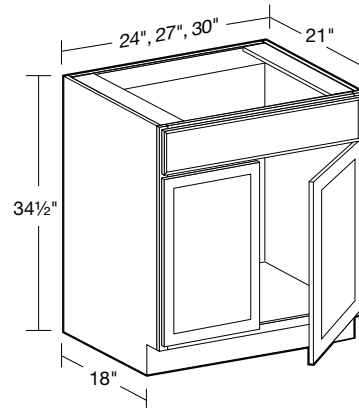
21" Deep Double Door Vanity Base



**STANDARD
21" DEPTHS**
VB2421
VB2721
VB3021

- One full depth adjustable shelf
- One standard drawer

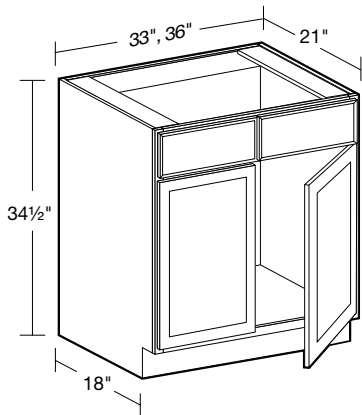
21" Deep Double Door Vanity Sink Base



**STANDARD
21" DEPTHS**
VSB2421
VSB2721
VSB3021

- No shelf
- False drawer front

21" Deep Double Door Vanity Sink Base

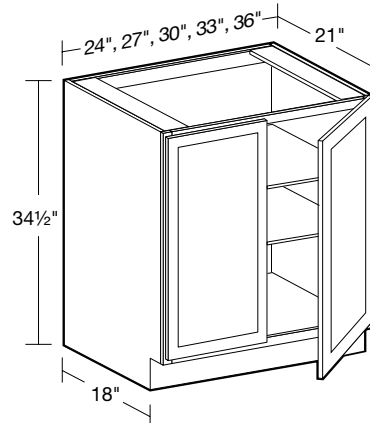


**STANDARD
21" DEPTHS**

**VSB3321
VSB3621**

- No shelf, two false fronts

21" Deep Double Full Height Door Vanity Base

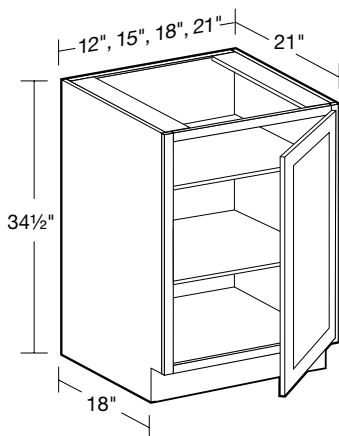


**STANDARD
21" DEPTHS**

**VB2421FH
VB2721FH
VB3021FH
VB3321FH
VB3621FH**

- Two adjustable shelves

21" Deep Single Full Height Door Vanity Base



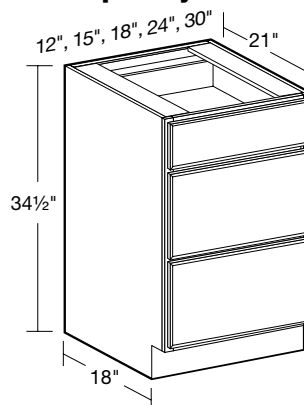
**SPECIFY
RIGHT or LEFT HINGED**

**STANDARD
21" DEPTHS**

**VB1221FH
VB1521FH
VB1821FH
VB2121FH**

- Two adjustable shelves

21" Deep Vanity Base Drawer



**STANDARD
21" DEPTHS**

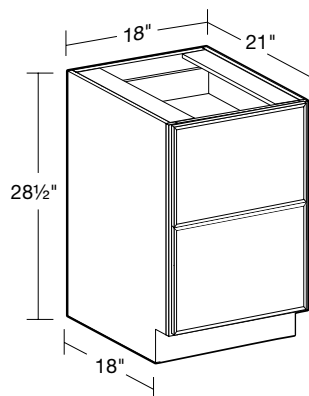
**VBD1221*
VBD1521
VBD1821
VBD2421
VBD3021**

- One standard drawer
- Two deep drawers

* Maximum drawer handle width for lower drawers is 4" wide for raised panel styles, 5 1/2" wide for recessed panel styles.

21" Deep Desk Drawer

DDR18

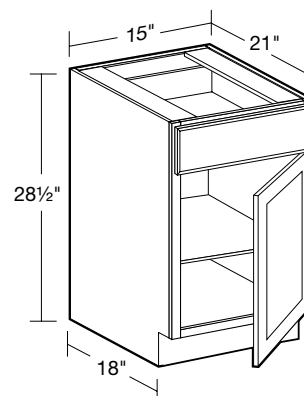


- Two standard drawers*
- Comfortable height for dressing table or writing surface

*Does not support hanging files.

21" Deep Desk Door

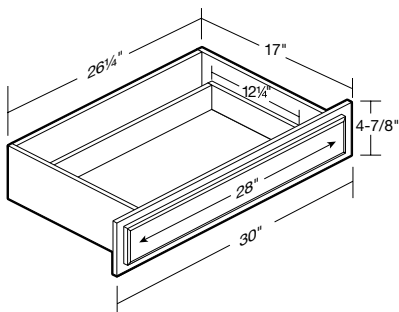
**SPECIFY
RIGHT or LEFT HINGED
DDO15**



- One adjustable shelf
- Comfortable height for dressing table or writing surface

21" Deep Desk Knee Drawer

DKD30



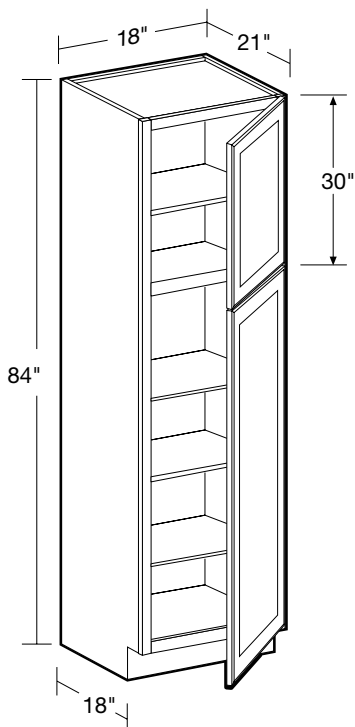
- One full width pencil/cosmetic drawer
- Knee drawer is designed for use between two base cabinets
- Comfortable height for dressing table or writing surface when installed at 28 1/2" height with 1 1/2" thick countertop
- Slab drawer front all door styles
- May be trimmed up to 1" on each side

NOTE: Full Extension Soft-Close Runner Not Available

Vanity Linen Cabinets

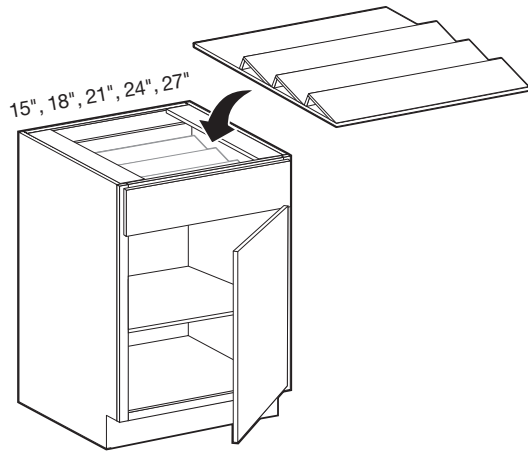
21" Deep Two Door Linen

**SPECIFY
RIGHT or LEFT HINGED
STANDARD
21" DEPTH
VLC182184**



- One fixed shelf dividing upper and lower doors, four adjustable shelves

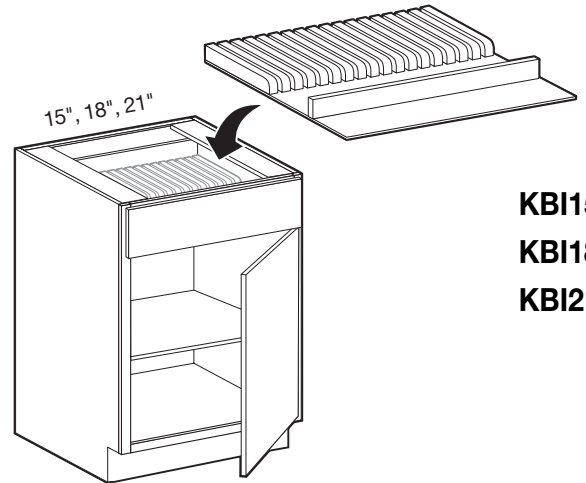
Spice Drawer Insert



SDI15
SDI18
SDI21
SDI24
SDI27

- Solid hardwood drawer insert
- Three 5" high angled tiers
- Rear 4" deep compartment
- Sized to fit inside 15", 18", 21", 24", 27" wide drawers

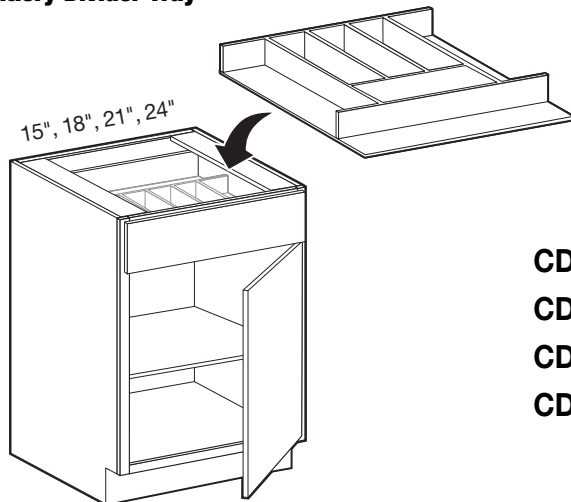
Knife Block Insert



KBI15
KBI18
KBI21

- Solid hardwood drawer insert
- One full width front utensil compartment
- KBI15:** 10 knife slots + utensil compartment (fits B15, BD15)
- KBI18:** 13 knife slots + utensil compartment (fits B18, BD18, B36, BD36)
- KBI21:** 16 knife slots + utensil compartment (fits B21)

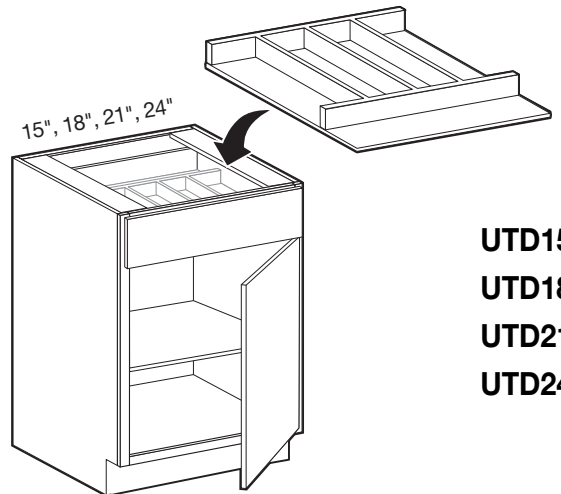
Cutlery Divider Tray



CDT15
CDT18
CDT21
CDT24

- Solid hardwood drawer insert
- One full width front utensil compartment
- CDT15:** 6 compartments 10"-14" deep (fits B15, BD15)
- CDT18:** 6 compartments 10"-14" deep (fits B18, BD18, B36, BD36)
- CDT21:** 8 compartments 10"-14" deep (fits B21)
- CDT24:** 8 compartments 10"-14" deep (fits B24, BD24)

Utensil Divider Tray

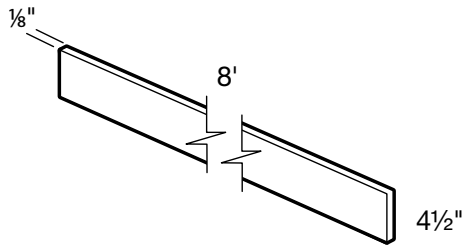


UTD15
UTD18
UTD21
UTD24

- Solid hardwood drawer insert
- One full width front utensil compartment
- UTD15:** 2 additional compartments 16" deep (fits B15, BD15)
- UTD18:** 4 additional compartments 16" deep (fits B18, BD18, B36, BD36)
- UTD21:** 5 additional compartments 16" deep (fits B21)
- UTD24:** 5 additional compartments 16" deep (fits B24, BD24)

8' Finished Toe Kick – Matches Frame Color

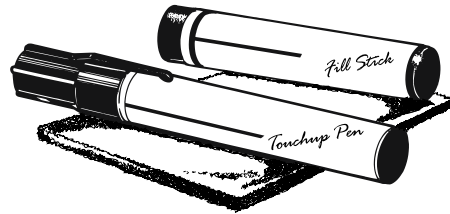
MTK8



- 1/8" thick plywood finished with vinyl laminate color matched to cabinetry face frame
- Field modified and installed

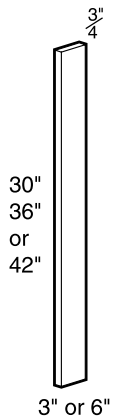
Touch-Up Kit

TUK



- Includes fill stick, touch-up pen, and 4 door bumpers

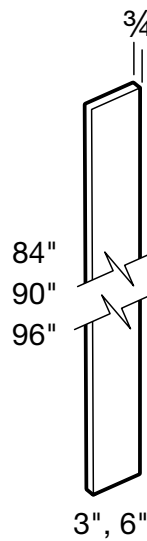
Filler Strips



FS30 FS630
FS36 FS636
FS42 FS642
FS84

- 3/4" thick solid wood
- Face and sides finished

Tall Filler Strips

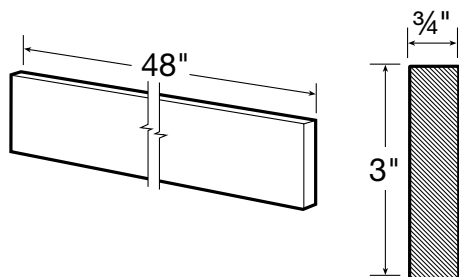


FS84
FS90
FS96
FS696

- 3/4" thick solid wood
- Face and sides finished

Valance

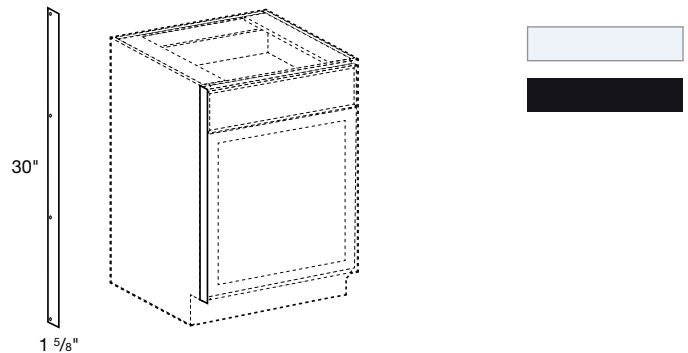
VA48



- 3/4" thick solid wood
- May be trimmed on each end

Heat Shield

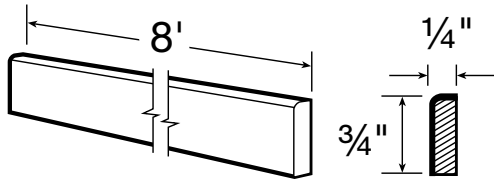
HEAT_SHIELD_WHITE
HEAT_SHIELD_BLACK



- Helps protect cabinet doors adjacent to ovens
- Attaches to the cabinet face frame
- Available in White or Black

Scribe Molding

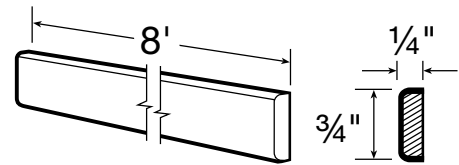
SM8



- 1/4" thick solid wood

Batten Molding

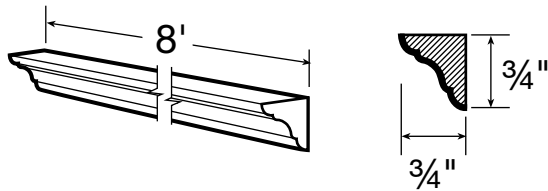
BM8



- 1/4" thick solid wood

Inside Corner Molding

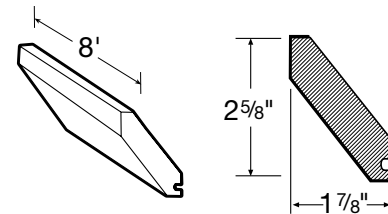
ICM8



- 3/4" thick solid wood

Angle Crown Molding

ACM8

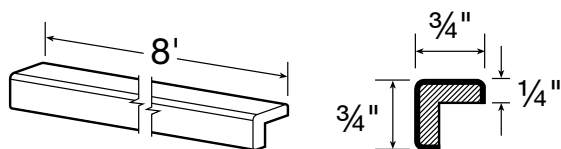


DESIGN TIP: When returning crown molding to the wall at the end of a run, allow at least 3" of wall space

- 3/4" thick solid wood
- Use with TMMS8 for top of cabinet installation

Outside Corner Molding

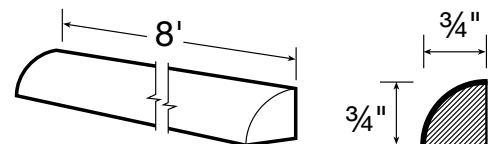
OSC8



- 3/4" thick solid wood

Quarter Round

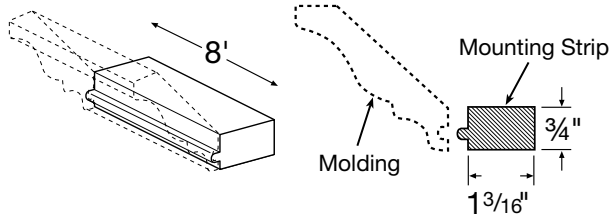
QR8



- 3/4" thick solid wood

Top Molding Mounting Strip

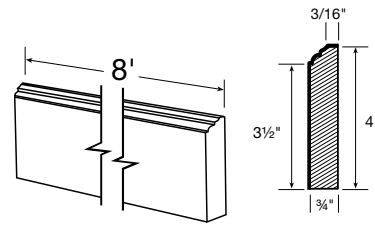
TMMS8



- 3/4" thick solid unfinished wood
- Recommended for installation of ACM8, CM8 moldings

Furniture Base Molding

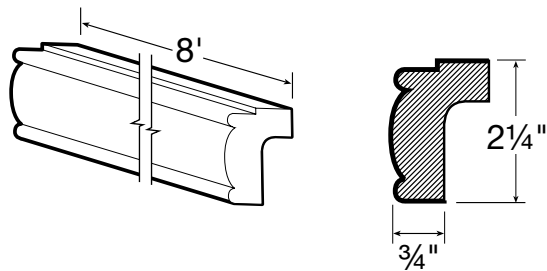
FBM8



- 3/4" thick solid wood

Classic Light Rail

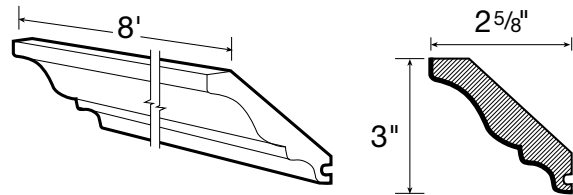
CLR8



- 3/4" thick solid wood

Crown Molding

CM8



- 3/4" thick solid wood
- Use with TMMS8 for top of cabinet installation



NEW!

- Matte black

DH801-96MBL

4-1/4" Square Bar Pull

3 3/4" center (96mm)

DH801-128MBL

5-1/2" Square Bar Pull

5" center (128mm)

DH00801-17MBL

6-3/4" Square Bar Pull

6-5/16" center (160mm)



NEW!

- Brushed nickel

DH801-96BRN

4-1/4" Square Bar Pull

3 3/4" center (96mm)

DH801-128BRN

5-1/2" Square Bar Pull

5" center (128mm)

DH00801-17BRN

6-3/4" Square Bar Pull

6-5/16" center (160mm)



NEW!

- Champagne Bronze

DH873-96CHBR

4-1/4" Square Bar Pull

3 3/4" center (96mm)

DH873-128CHBR

5-3/8" Square Bar Pull

5" center (128mm)

DH873-160CHBR

6-3/4" Square Bar Pull

6-5/16" center (160mm)



NEW!

- Brushed nickel

DH5016-96BRN

5-3/8" Tubular Bar Pull

3 3/4" center (96mm)

DH5016-128BRN

6-5/8" Tubular Bar Pull

5" center (128mm)

DH5016-160BRN

7-7/8" Tubular Bar Pull

6-5/16" center (160mm)



NEW!

- Champagne Bronze

DH5016-96CHBR

5-3/8" Tubular Bar Pull

3 3/4" center (96mm)

DH5016-128CHBR

6-5/8" Tubular Bar Pull

5" center (128mm)

DH5016-160CHBR

7-7/8" Tubular Bar Pull

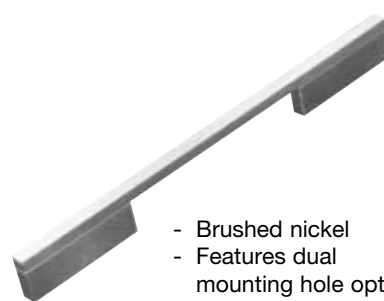
6-5/16" center (160mm)



- Euro railing pull
- Brushed nickel



- Brushed steel



- Brushed nickel
- Features dual mounting hole options

DH45-100 - 6 15/16" Euro Pull
3-13/16" center (96mm)

DH45-102 - 10 3/4" Euro Pull
7-9/16" center (192mm)

DH45-104 - 14 7/8" Euro Pull*
11-3/4" center (298mm)

DESIGN TIP: Make sure to double check the length of drawer/door to ensure pull will fit the cabinet

DH44-346 - 8" Square Bar Pull
7 1/2" center (196mm)

DH44-348 - 9" Square Bar Pull
8-13/16" center (224mm)

DH44-350 - 13" Square Bar Pull*
12-5/8" center (320mm)

DH44-352 - 19" Square Bar Pull*
18-7/8" center (480mm)

DH116-120 - 10" Quadra Pull
5" inside center (128mm)
8-13/16" outside center (224mm)

DH116-122 - 11" Quadra Pull
6-5/16" inside center (160mm)
10-1/16" outside center (256mm)

DH116-126 - 14" Quadra Pull
8-13/16" inside center (224mm)
12-5/8" outside center (320mm)

DH116-134 - 20" Quadra Pull*
15-1/8" inside center (384mm)
18-7/8" outside center (480mm)

DH116-136 - 24" Quadra Pull*
18-7/8" inside center (480mm)
22-11/16" outside center (576mm)

* Due to the overall length of this hardware, it is not compatible with drilling template HDWE TEMPLATE-AW.



DH43-826

- Elongated oval knob
- Antique pewter
- 2" length



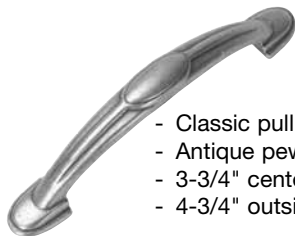
DH43-630

- Elongated oval knob
- Oiled bronze
- 2" length



DH93-152

- Raised mitered knob
- Antique pewter
- 1-3/8" square



DH43-828

- Classic pull
- Antique pewter
- 3-3/4" center (96mm)
- 4-3/4" outside length



DH43-632

- Classic pull
- Oiled bronze
- 3-3/4" center (96mm)
- 4-3/4" outside length



DH93-112

- Raised mitered pull
- Antique pewter
- 3-3/4" (96mm) & 5" (128mm) center
- 6-3/8" outside length



DH43-124

- Octagon knob
- Antique silver
- 1-3/8" diameter



DH43-618

- Octagon knob
- Oiled bronze
- 1-3/8" diameter



DH99-188

- Round knob
- Brushed nickel
- 1-1/4" diameter



DH43-114

- Traditional pull
- Antique silver
- 3-3/4" center (96mm)
- 4-1/2" outside length



DH43-614

- Traditional pull
- Oiled bronze
- 3-3/4" center (96mm)
- 4-1/2" outside length



DH99-128

- Contemporary bow pull
- Brushed nickel
- 3-3/4" center (96mm)
- 5-1/4" outside length



DH65-200

- Birdcage knob
- Antique iron
- 2-1/2" length



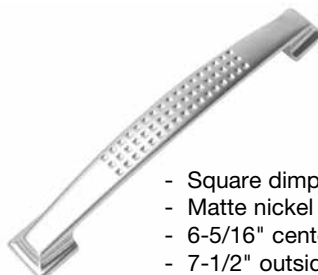
DH95-144

- Square dimpled knob
- Matte nickel
- 1-1/4" square



DH65-120

- Birdcage pull
- Antique iron
- 3-3/4" center (96mm)
- 4" outside length



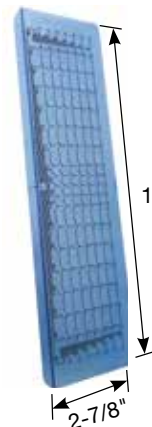
DH95-104

- Square dimpled pull
- Matte nickel
- 6-5/16" center (160mm)
- 7-1/2" outside length

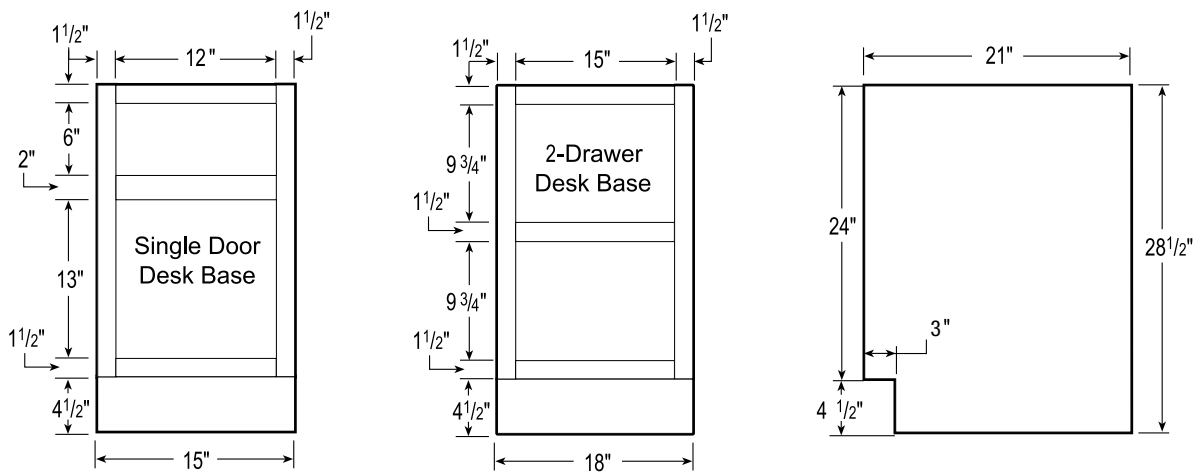
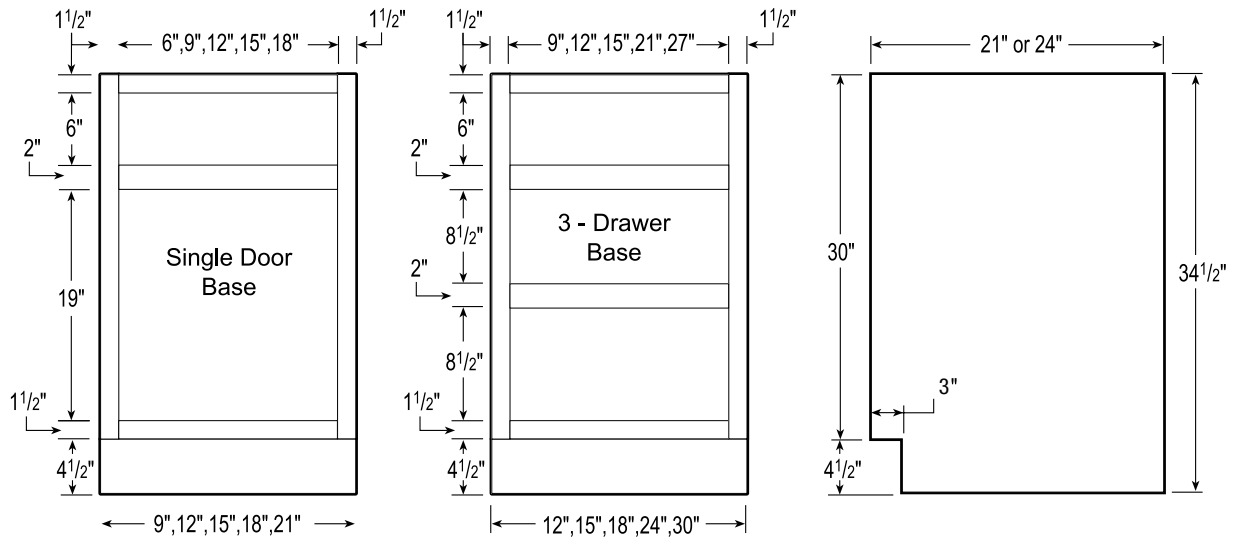
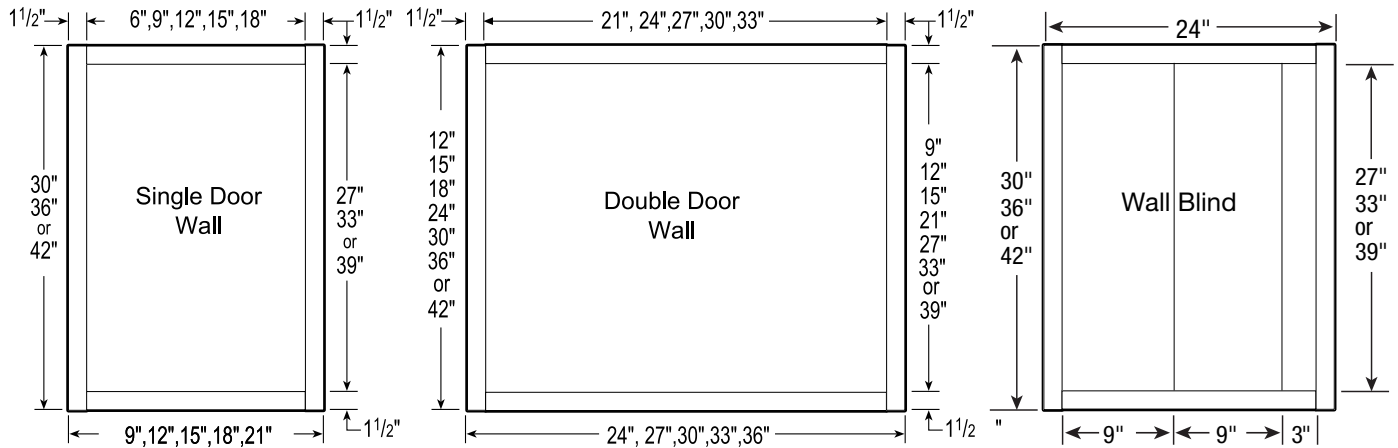
HDWE TEMPLATE-AW

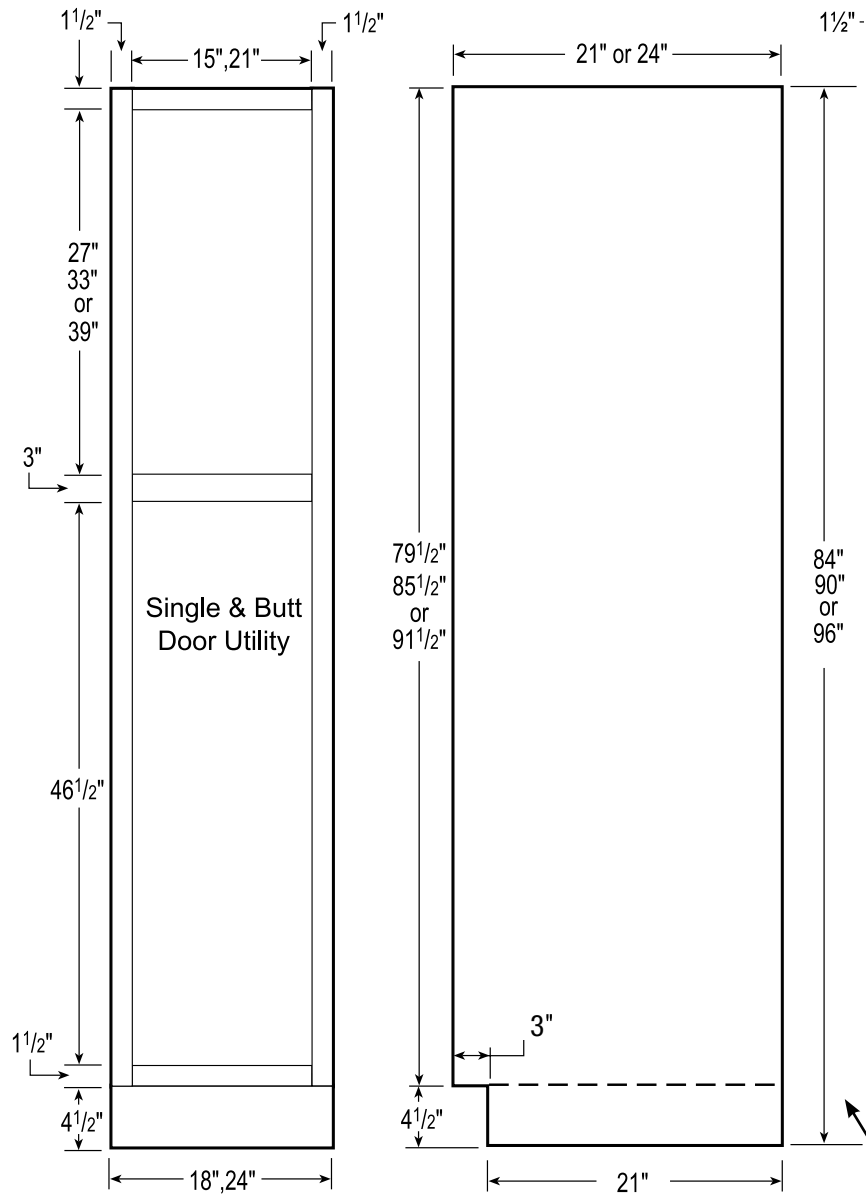
Hardware Drilling Template

Align with door frame to quickly and accurately mark hole locations.

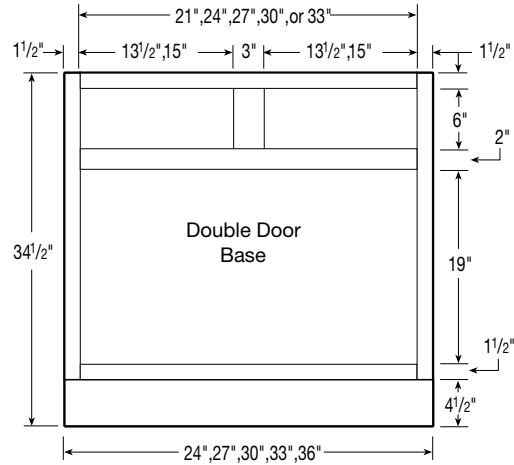


NOTE: Refer to the individual decorative hardware size specifications to determine compatibility with this template.

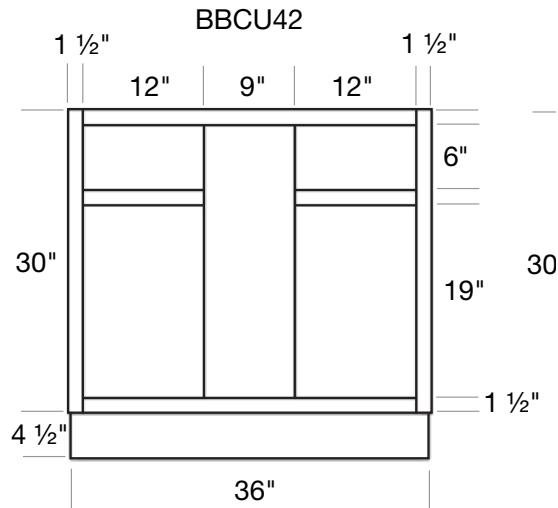




NOTE: 96" TALL CABINETS ARE SUPPLIED WITH LOOSE TOE KICK BOX (EXPOSED SIDES REQUIRE TSK96)



NOTE: B27, B30 have full width drawers



DRAWER BOX INSIDE DIMENSIONS						
CABINET	SHALLOW DRAWER			DEEP DRAWER		
	HEIGHT	DEPTH	WIDTH	HEIGHT	DEPTH	WIDTH
B12, BD12	4-3/8"	19-11/16"	6-7/8"	6-3/4"	19-11/16"	6-7/8"
VB1221, VBD1221	4-3/8"	16-11/16"	6-7/8"	6-3/4"	16-11/16"	6-7/8"
B15, BBCU42, BD15	4-3/8"	19-11/16"	9-7/8"	6-3/4"	19-11/16"	9-7/8"
VB1521, VBD1521	4-3/8"	16-11/16"	9-7/8"	6-3/4"	16-11/16"	9-7/8"
DDO15, DDR15	4-3/8"	19-11/16"	9-7/8"	N/A	N/A	N/A
B18, BD18	4-3/8"	19-11/16"	12-7/8"	6-3/4"	19-11/16"	12-7/8"
VB1821, VBD1821	4-3/8"	16-11/16"	12-7/8"	6-3/4"	16-11/16"	12-7/8"
B21	4-3/8"	19-11/16"	15-7/8"	N/A	N/A	N/A
B24, BD24	4-3/8"	19-11/16"	18-7/8"	6-3/4"	19-11/16"	18-7/8"
VB2421	4-3/8"	16-11/16"	18-7/8"	N/A	N/A	N/A
B27	4-3/8"	19-11/16"	21-7/8"	N/A	N/A	N/A
B30, BD30	4-3/8"	19-11/16"	24-7/8"	6-3/4"	19-11/16"	24-7/8"
VB3021	4-3/8"	16-11/16"	24-7/8"	N/A	N/A	N/A
VBD30	4-3/8"	16-11/16"	24-7/8"	6-3/4"	16-11/16"	24-7/8"
B33	4-3/8"	19-11/16"	11-1/4"	N/A	N/A	N/A
B36, BD36	4-3/8"	19-11/16"	12-7/8"	6-3/4"	19-11/16"	30-7/8"
VB3621	4-3/8"	16-11/16"	12-7/8"	N/A	N/A	N/A

2 DAY* EXPRESS



DKC

DISTINCTIVE KITCHEN CABINETS

DistinctiveKitchenCabinets.com
Sales@DistinctiveKitchenCabinets.com

*2 Business Days



EXPRESS-SPECBOOK-1021