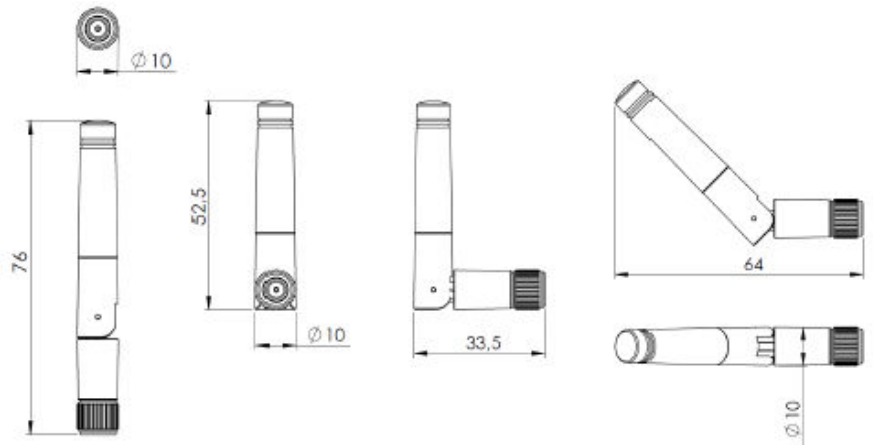


FRONT PANEL WI-FI ANTENNA

This front panel antenna is designed for installation in a non-metallic enclosure.



CHARACTERISTICS

	Electrical
Type	Omnidirectional
Frequencies	2,4 / -5,5 GHz
Impedance	50Ω
Polarization	Linear
VSWR	<2,6 :1 Maximum
Gain	5 dBi

	Mechanical
Material	ABS
Dimension (D/H)	10 x 76 mm
Connector	SMA male
Weight	12g
Temperature	-40°C ~ +85°C