

Part List

DO NOT RETURN PRODUCT IF YOU ARE MISSING PARTS. PLEASE CALL: 1 (800) 972-6130

| No. | Part # | Qty | Description |
|-----|---------|-----|--------------------------------|
| 1 | 1006084 | 5 | Bolt, HexHd 1/4x3/4 SS |
| 2 | 1001554 | 6 | Washer, Nylon |
| 3 | 1005198 | 12 | Nut, Nylon Lock, 1/4-20, SS |
| 4 | 1017543 | 1 | Plate, Linkage |
| 5 | 1017501 | 1 | Bracket, Linkage |
| 6 | 1001533 | 1 | Nylon Flange Bushing |
| 7 | 1017340 | 1 | Control Linkage Assembly |
| 8 | 1001351 | 4 | Washer, 1/4" SS |
| 9 | 1001255 | 1 | Screw 1/4-20 X 1"HexHd, SS |
| 10 | 1017551 | 1 | Bolt,HexHd 1/4-20 x 1.50 |
| 11 | 1017503 | 1 | Spring, Gate |
| 12 | 1008431 | 1 | Rate Gate Link, Formed |
| 13 | 1017580 | 1 | Plate, Hopper Bottom |
| 14 | 1004880 | 4 | Bolt, HexHd 1/4x1/2 SS |
| 15 | 1000203 | 1 | Hopper Bottom Bearing |
| 16 | 1001526 | 1 | Accuway Adjustment Screw |
| 17 | 1001525 | 1 | Accuway Adj. Nut Bracket |
| 18 | 1000210 | 1 | Rate Gate |
| 19 | 1001523 | 1 | Accuway Diffuser |
| 20 | 1001521 | 2 | Guide, Rate Gate/Accuway |
| 21 | 1000215 | 1 | Pine Tree Clip |
| 22 | 1000211 | 1 | Dial Mount |
| 23 | 1000213 | 1 | Dial, Plastic |
| 24 | 1000198 | 2 | Felt Washer |
| 25 | 1000223 | 1 | Agitator Wire |
| 26 | 1000054 | 1 | Roll Pin 1/8 X 7/8 |
| 27 | 1005211 | 1 | Spinner Plastic Lg Black |
| 28 | 1008078 | 1 | Axle, Spinner |
| 29 | 1001301 | 2 | 3/8 Spinner Shaft Bushing |
| 30 | 1001516 | 1 | Bevel Gear-metal |
| 31 | 1000053 | 1 | Roll Pin 1/8 X 3/4 |
| 32 | 1001518 | 1 | Pinion Gear - Metal |
| 33 | 1001299 | 2 | Gearbox Bushing 5/8" |
| 34 | 1005389 | 1 | Nylon Spacer, Pin Retain |
| 35 | 1001304 | 1 | Dowel Pin, 3/16 x 1, SS |
| 36 | 1008085 | 1 | Axle, Wheel |
| 37 | 1005336 | 1 | Gear Box Cover Front |
| 38 | 1005337 | 1 | Gear Box Cover Rear |
| 39 | 1005368 | 1 | Grease Zerk 1/4 Drive IN |
| 40 | 1017710 | 8 | Bolt, PhlpHd 10-24x5/8" SS |
| 41 | 1001308 | 8 | Nut, Nylon Lock, #10-24 SS |
| 42 | 1000225 | 2 | Handle Grip |
| 43 | 1017620 | 1 | Weldment, Handle - Stainless |
| | 1017623 | 1 | Weldment, Handle - Black |
| 44 | 1001262 | 4 | Bolt, Hex Head 1/4 x 1-1/2, SS |

| No. | Part # | Qty | Description |
|-----|----------|-----|----------------------------------|
| 48 | 1017502 | 1 | Linkage |
| 49 | 1000000 | 1 | On-off Decal |
| 54 | 1017618 | 1 | Handle, Lower - Stainless |
| | 1017621 | 1 | Handle, Lower - Black |
| 57 | 1017504 | 2 | Cap, Plastic |
| 58 | L-1744-6 | 1 | Label, Serial#, Spyker |
| 59 | 1017329 | 1 | Stand, Large Frame - Stainless |
| | 1017507 | 1 | Stand, Large Frame - Black |
| 60 | 1017328 | 1 | Large Frame Weldment - Stainless |
| | 1017508 | 1 | Large Frame Weldment - Black |
| 63 | 1001607 | 2 | Wheel, 12" Drive/Idle |
| 64 | F-283 | 2 | Bearing, Axle |
| 69 | 1017629 | 1 | Manual |
| 70 | 1017578 | 1 | Cover, Hopper 80# |
| 71 | 1017546 | 1 | Screen, 80# |
| 72 | 1020303 | 1 | Hopper, 80#, with Labels |
| 73 | 1008067 | 1 | Decal Spyker Square Blue |
| 74 | 1001386 | 1 | Spyker Accuway Label |
| 76 | 1017776 | 1 | Support Bracket |
| 77 | 1020283 | 1 | Decal; QR Code, Calibration |




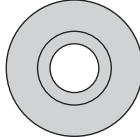
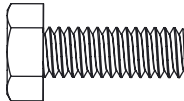
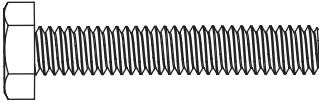
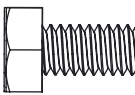
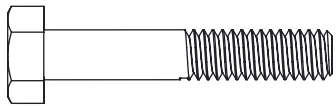
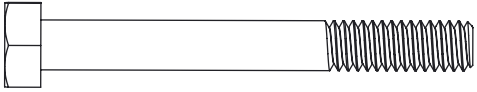
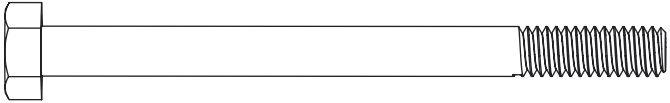
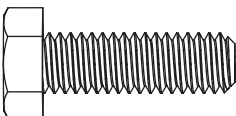
| No. | Part # | Qty | Description |
|-----|-----------|-----|--------------------------------|
| 78 | 1018577 | 1 | Parts Bag |
| 2 | 1001554 | 3 | Washer, Nylon |
| 3 | 1005198 | 11 | Nut, Nylon Lock 1/4-20, SS |
| 6 | 1001533 | 1 | Nylon Flange Bushing |
| 8 | 1001351 | 3 | Washer, 1/4" SS |
| 44 | 1001262 | 6 | Bolt, Hex Head 1/4 x 1-1/2, SS |
| 45 | 1007828 | 1 | Knob; Handle, (set of 2) |
| 46 | 1017345 | 1 | Lever, Control |
| 47 | 1017346 | 1 | Spring, Control Lever |
| 50 | 1017344 | 1 | Control Lever Stop |
| 51 | 1007888 | 4 | Bolt, HexHd 1/4x2-1/4 SS |
| 52 | 1017371 | 1 | Bolt, HexHd, 1/4x3-1/4 SS |
| 53 | 1017617 | 1 | Plate, Guide |
| 55 | 45M1111SS | 6 | Washer, Flat, SS-5/16" |
| 56 | 1001315 | 4 | Nut, Nylon Lock 5/16-18 |
| 61 | 1005414 | 1 | Rue Ring Locking Pin |
| 62 | 1001350 | 5 | Washer, Flat SS |
| 65 | 1001274 | 1 | Clevis Pin, 3/16x1-3/4 |
| 66 | 1019596 | 1 | Cotter Ring |
| 67 | 1008811 | 2 | Bolt,Hex 5/16-18x1 SS316 |
| 68 | 1017374 | 2 | Bolt, Carriage, 5/16x3/4 |
| 75 | 1017725 | 2 | Lock Washer Ext/Int Tooth 5/16 |

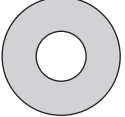
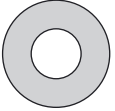
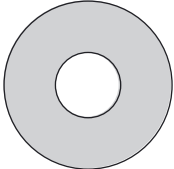
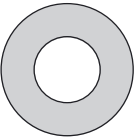
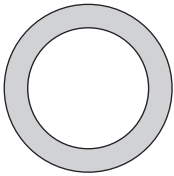
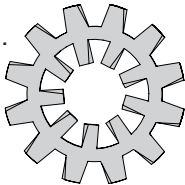
Hardware Identifier

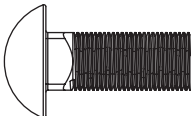


DO NOT RETURN PRODUCT IF YOU ARE MISSING PARTS. PLEASE CALL: 1 (800) 972-6130

ILLUSTRATIONS ON THIS PAGE ARE TO SCALE FOR FASTER IDENTIFICATION OF HARDWARE DURING ASSEMBLY.

- 3 Nut: Nylon Lock
1/4"-20 (x11) 
1005198
- 41 Nut: Nylon Lock, SS
#10-24 (x8) 
1001308
- 56 Nut: Nylon Lock
5/16"-18 (x4) 
1001315
- 6 Flange Bushing
Nylon (x1) 
1001533
- 1 Bolt: Hex Head, SS
1/4 x 3/4" (x5) 
1006084
- 10 Bolt: Hex Head
1/4-20 x 1.50 (x1) ... 
1017551
- 14 Bolt: Hex Head, SS
1/4 x 1/2" (x4) 
1004880
- 44 Bolt: Hex Head, SS
1/4 x 1-1/2" (x6) 
1001262
- 51 Bolt: Hex Head, SS
1/4 x 2-1/4" (x4) 
1007888
- 52 Bolt: Hex Head, SS
1/4 x 3-1/4" (x1) 
1017371
- 67 Bolt: Hex Head, SS
5/16-18 x 1" (x2) 
1008811

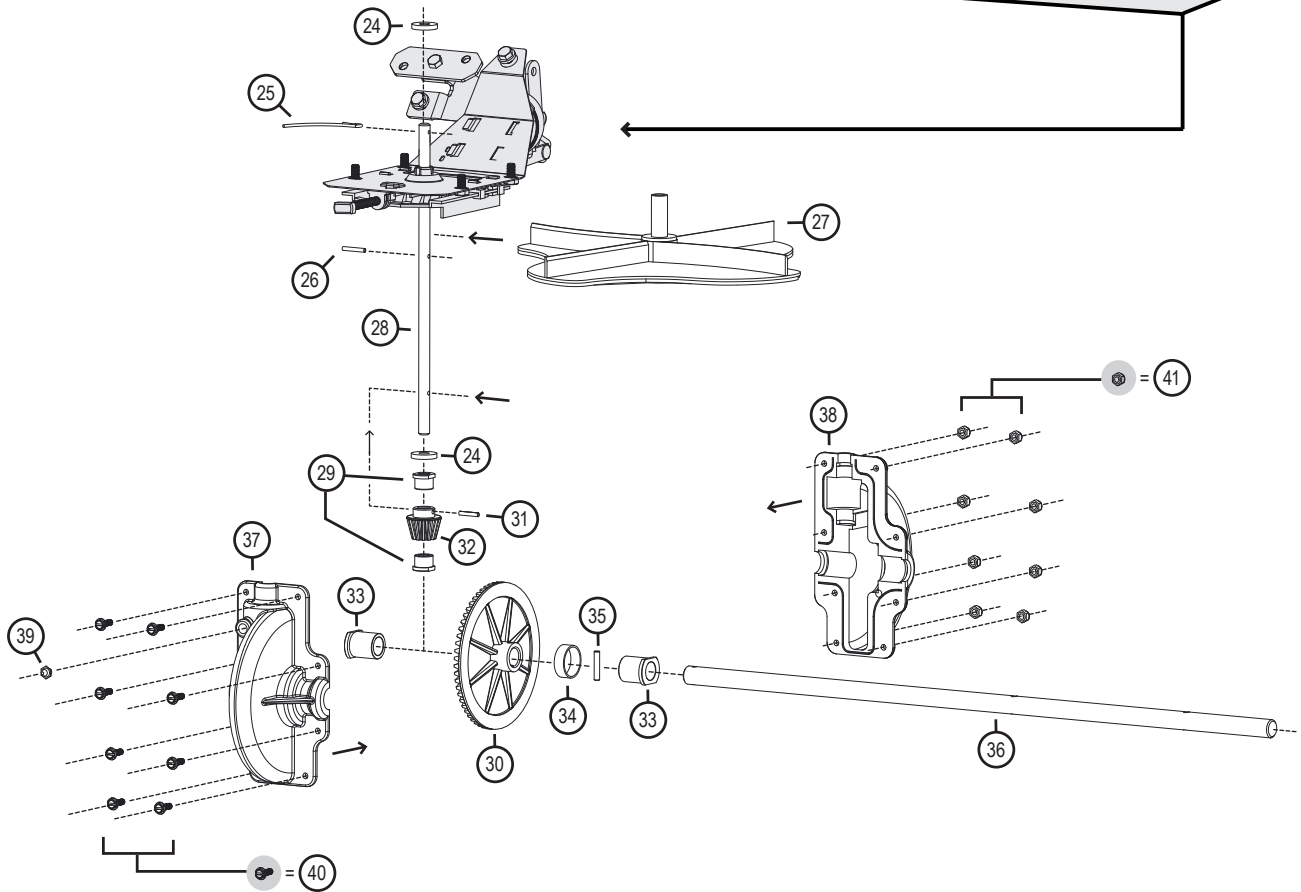
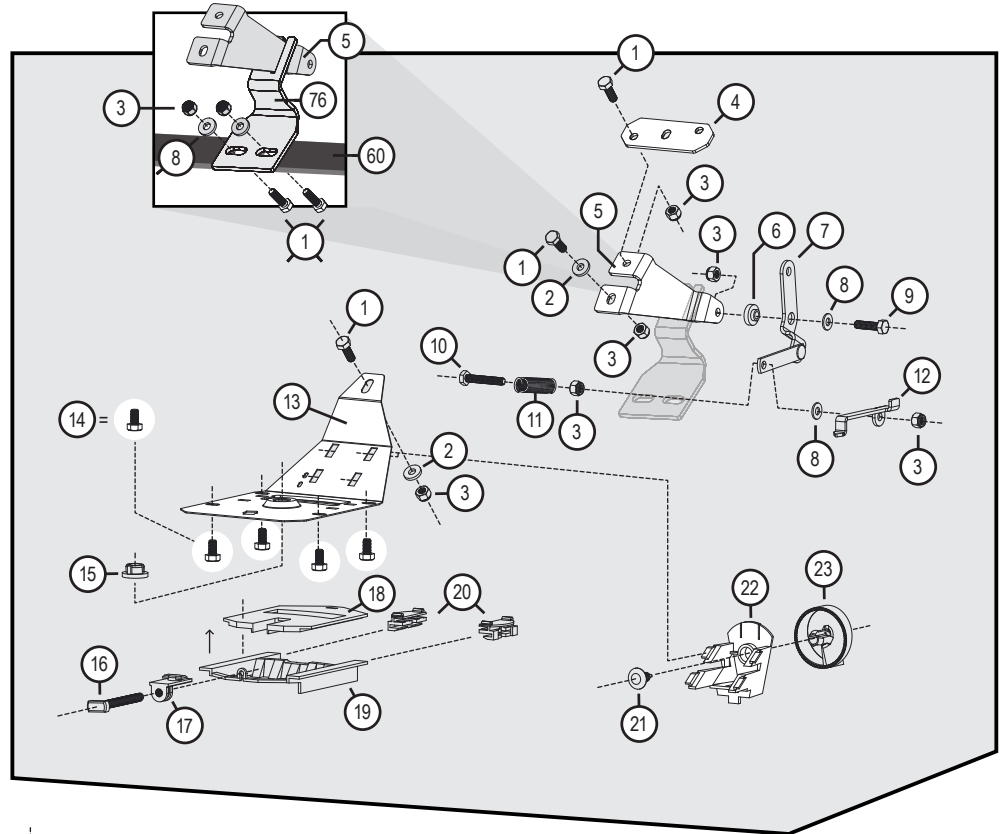
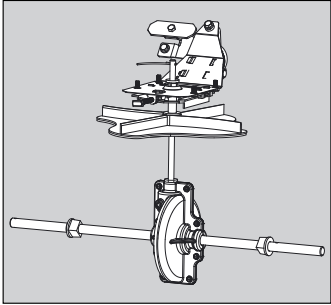
- 2 Washer
Nylon (x3) 
1001554
 - 8 Washer
SS 1/4" (x3) 
1001351
 - 24 Washer:
Felt (x2) 
1000198
 - 55 Washer: Flat
SS 5/16" (x6) 
45M1111SS
 - 62 Washer: Flat
SS (x5) 
1001350
 - 75 Lock Washer: 5/16
Ext/Int Tooth (x2) 
1017225
- *Exterior circumference of washers can vary. These dimensions are a measurement of the internal diameter of the washer.

- 68 Bolt: Carriage
5/16 x 3/4" (x2) 
1017374

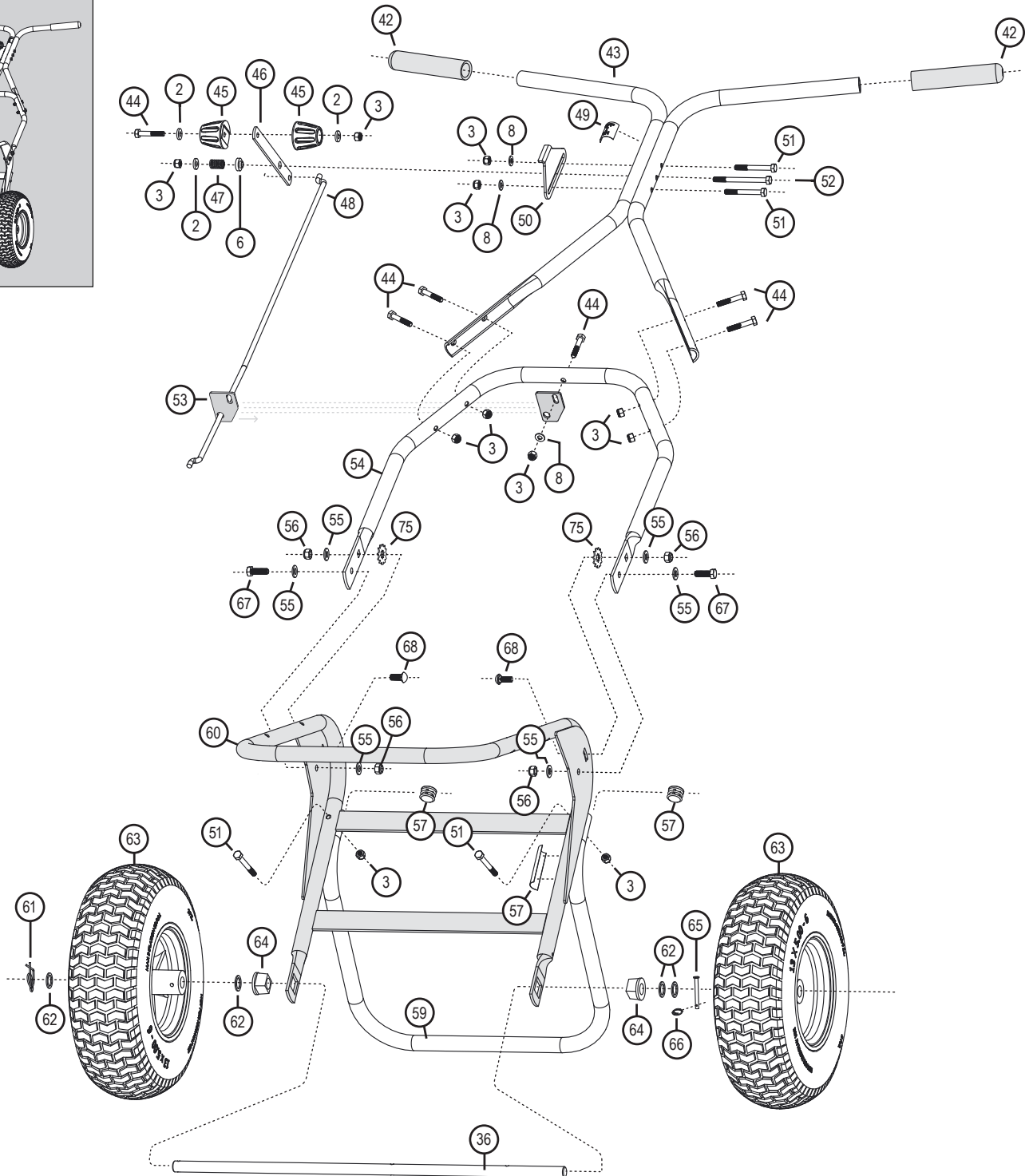
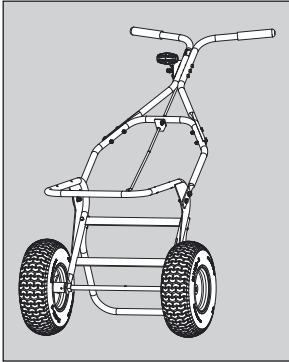
Part Explosions

DO NOT RETURN PRODUCT IF YOU ARE MISSING PARTS. PLEASE CALL: 1 (800) 972-6130

RATE GATE + AXLE / SPINNER



FRAME & HANDLE



HOPPER

