



---

# Operator's Manual

---

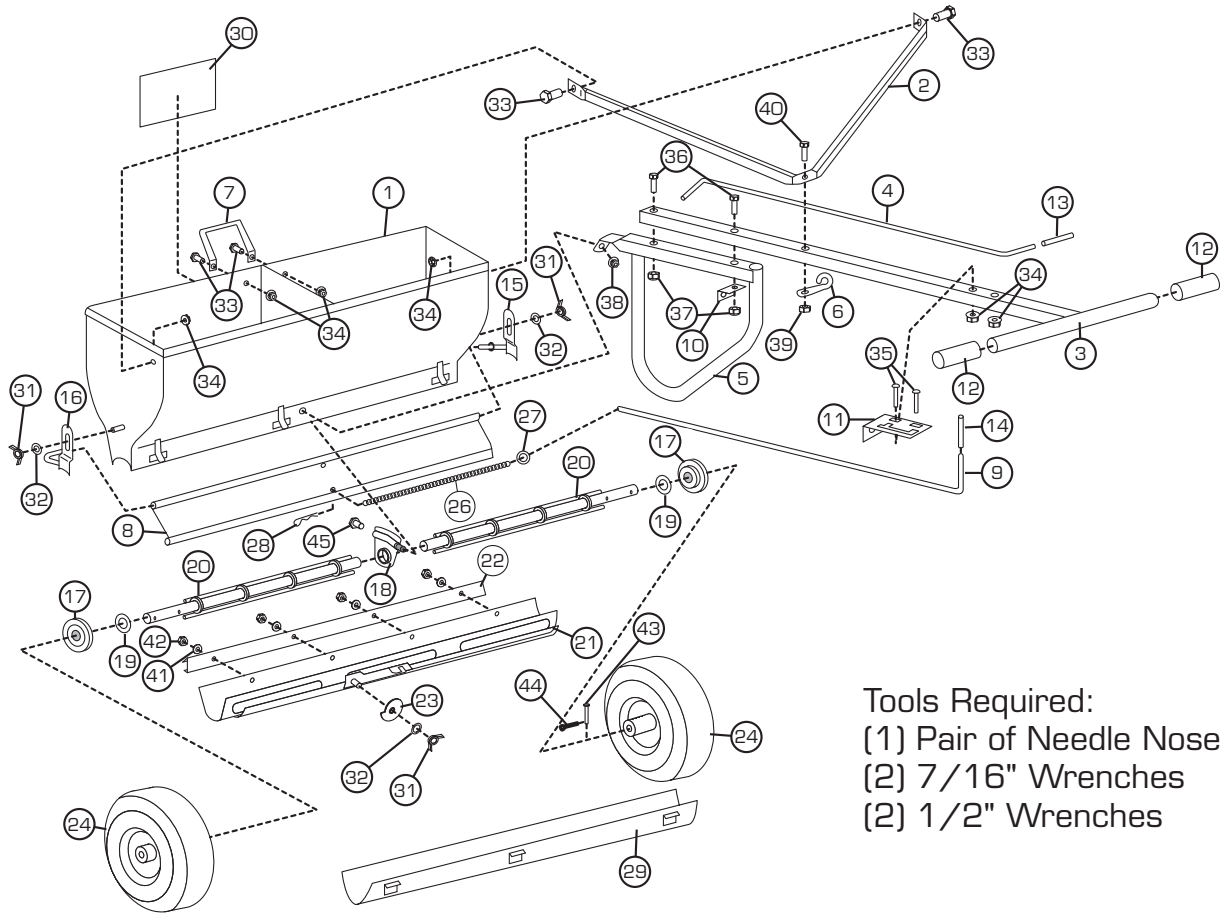
## Model P70-12010 36" Professional Drop Spreader



**▲ IMPORTANTE** This manual contains information for the safety of persons and property. Read it carefully before assembly and operation of the equipment!

**Spyker Spreaders  
Contact Us at 800.972.6130**

# PARTS BREAKDOWN



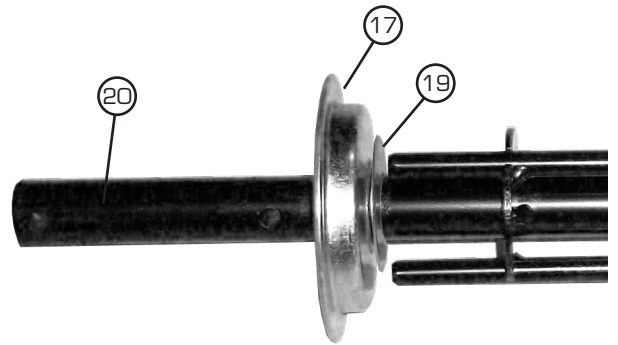
Tools Required:  
 (1) Pair of Needle Nose Pliers  
 (2) 7/16" Wrenches  
 (2) 1/2" Wrenches

ITEM	PART #	DESCRIPTION	QTY
1	N/A	Hopper Body (NOT OFFERED)	1
2	1009430	Handle Brace	1
3	1009431	Handle	1
4	1009432	Rate Adjustment Lever	1
5	1009433	Parking Leg	1
6	1009434	Shutoff Lever Guide	1
7	030952	Lift Handle	1
8	034394	Spread Plate	1
9	030882	Spread Plate Shutoff Lever	1
10	092502	Shutoff Guide	1
11	020148	Lever Lock	1
12	092503	Handle Grip	2
13	017114	Shutoff Grip	1
14	092504	Lever Grip	1
15	030843	End Bearing Retainer LH	1
16	030844	End Bearing Retainer RH	1
17	017117	End Bearing	2
18	017120	Center Bearing	1
19	017118	Rotor End Washer	2
20	017119	Rotor Bar	2
21	017122	Variable Rate Bottom	1
22	017121	Slide Hanger	1

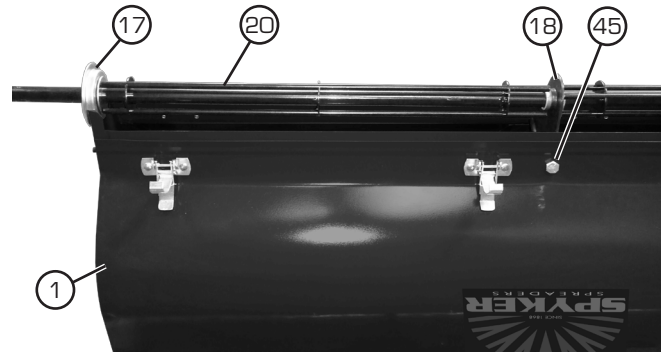
ITEM	PART #	DESCRIPTION	QTY
23	017123	Cam Gauge	1
24	1001607	13" X 5" Pneumatic Wheel	2
26	017127	#50 Sash Chain	1
27	034392	Key Ring	1
28	H-529	Hair Pin Cotter	1
29	017129	Fixed-Rate Bottom	1
30	1009435	Spyker Decal	1
31	1003315	5/16" Wingnut	3
32	45M1111P	5/16" Washer	3
33	1009436	1/4"-20 x 5/8" Hex Bolt	4
34	1004975	1/4"-20 Flange Nut	6
35	11M0824P	1/4"-20 x 1-1/2" Carriage Bolt	2
36	2M1040P	5/16"-18 x 2-1/2" Hex Bolt	2
37	B-4786	5/16"-18 Nylon Lock Nut	2
38	1009437	5/16"-18 Flange Nut	1
39	B-4785	1/4"-20 Nylon Lock Nut	1
40	2M0828SS	1/4"-20 x 1-3/4" Hex Bolt	1
41	1009438	#10 Nylon Washer	4
42	1001308	#10-24 Nylon Locknut	4
43	1009468	0.172" x 1.60" Clevis Pin	2
44		7/64" Cotter Pin	
45	2M1008P	5/16"-18 x 1/2" Bolt	1

# ASSEMBLY

1. Place Hopper Body (1, Not Shown) upside down. Unsnap and remove Variable Rate Bottom (21, Not Shown) assembly.
2. Slide Rotor End Washer (19) and End Bearing (17) on end of Rotor Bar (20) as shown. Repeat for the other Rotor Bar (20).

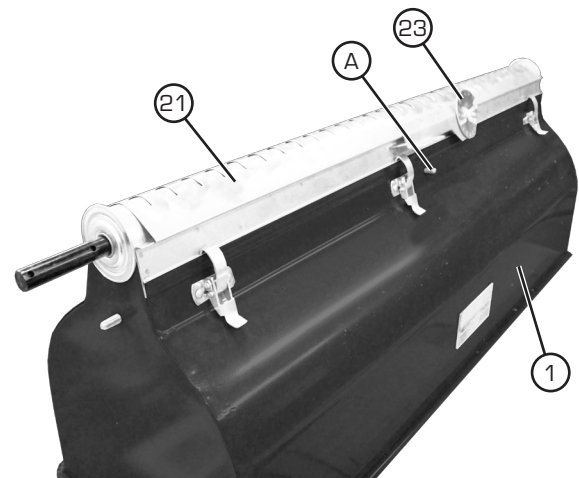


3. Install Rotor Bars (20) into Hopper Body (1), ensuring that the End Bearings (17) rest on the Hopper Body as shown. Turn the Rotor Bars (20) by hand. If one or more Rotor Bars are difficult to turn, loosen the 5/16"-18 x 1/2" Hex Bolt (45) and adjust the angle of the Center Bearing (18) until both Rotor Bars (20) rotate freely, and then tighten the 5/16"-18 x 1/2" Hex Bolt (45) completely.

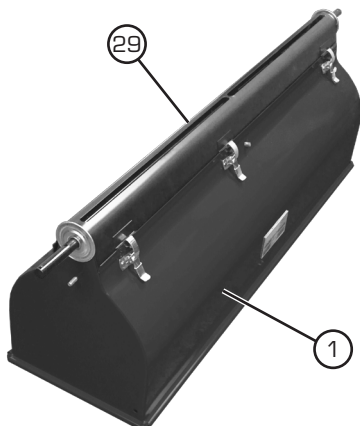


4. Re-install bottom slide assembly. Note there are two bottom plates provided. One is a Variable Rate Bottom (21) slide assembly and one is a Fixed Rate Bottom (29) assembly. Variable Rate Bottom (21) slide assembly is shown to the right. Fixed Rate Bottom (29) assembly is shown below.

**NOTE: Ensure Cam Gauge (23) on Variable Rate Bottom (21) slide is oriented as shown. It is on the same side of the Hopper Body (1) as the handle attachment stud (A).**



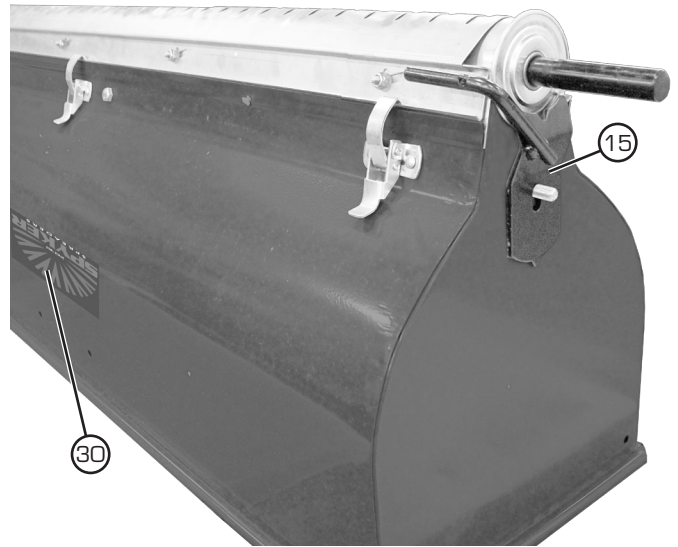
Variable Rate Bottom



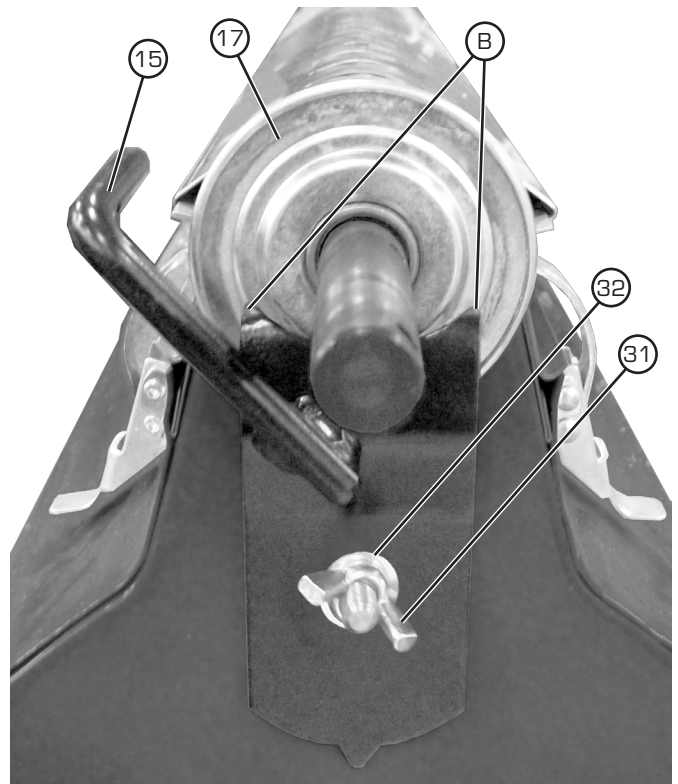
Fixed Rate Bottom

# ASSEMBLY

5. Install End Bearing Retainer LH (15) as shown. Note orientation in relationship to Spyker Decal (30).



6. Be sure the prongs (B) of the End Bearing Retainer LH (15) are centered on End Bearing (17) as shown. Secure using 5/16" Washer (32) and 5/16" Wingnut (31). Only install one End Bearing Retainer at this time. You will install the other one later.

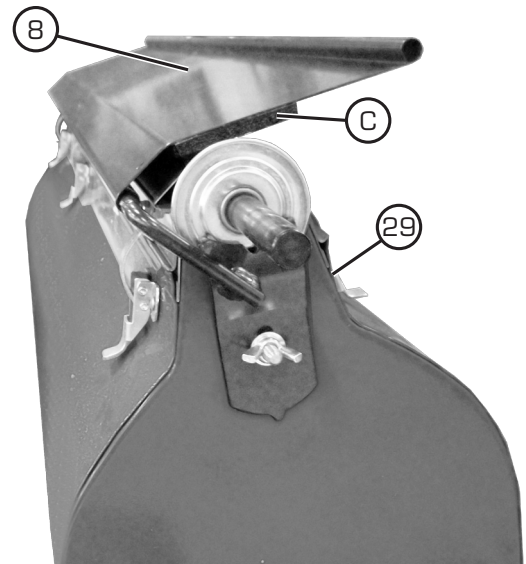


# ASSEMBLY

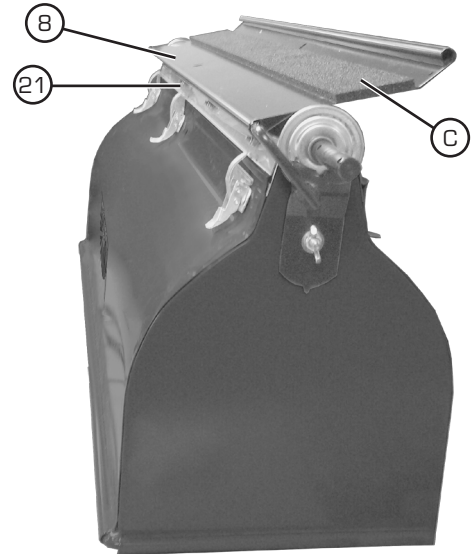
7. If you are using the Fixed Rate Bottom (29), install the Spread Plate (8) as shown ensuring the rubber pad (C) will contact the Fixed Rate Bottom. If using the Variable Rate Bottom (21), install the Spread Plate (8) the opposite way so the rubber pad (C) faces away from the Variable Rate Bottom (21).

**NOTE: The orientation of the Spread Plate (8) must match the pictures exactly to ensure proper functionality during use. If the Spread Plate (8) is installed using the incorrect hole, it will be impossible to shut off the flow of material when using the Fixed Rate Bottom (29), and the material will not "slide" off the Rate Plate (8) correctly when using the drop spreader.**

8. Install the End Bearing Retainer RH (16, Not Shown) into the free end of the Spread Plate (8) and secure using 5/16" Washer (32, Not Shown) and 5/16" Wingnut (31, Not Shown). Be sure the prongs of the End Bearing Retainer RH (16) are centered on End Bearing (17) (similarly to how it is shown in Step 6).

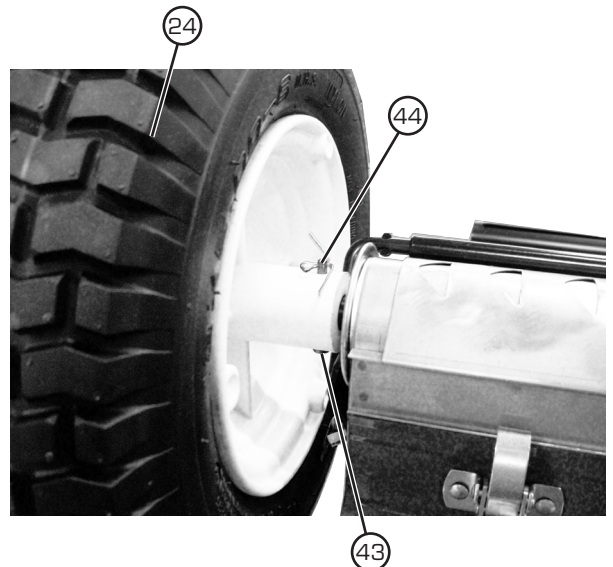


Slide Orientation for Fixed Rate Bottom



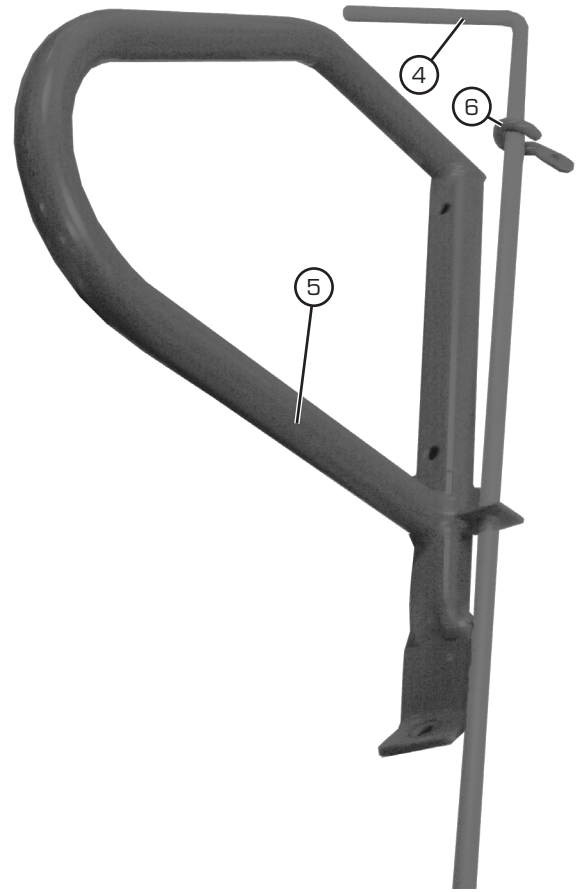
Slide Orientation for Adjustable Rate Bottom

9. Install Pneumatic Wheels (24) onto Rotor Bars (Not Shown) and secure with 0.172" x 1.60" Clevis Pin (43) and 7/64" Cotter Pin (44). Use pliers to bend 7/64" Cotter Pin (44) as shown.

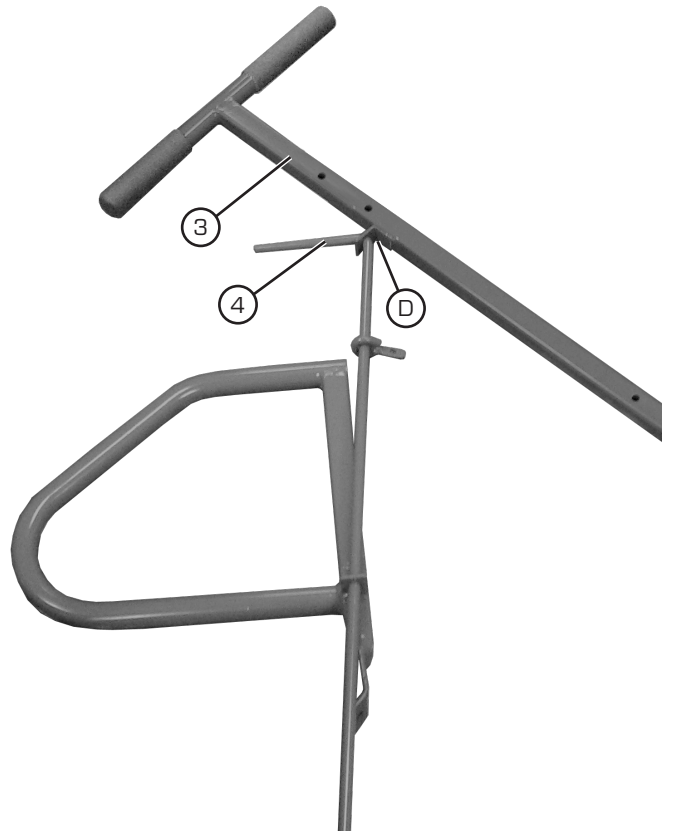


# ASSEMBLY

10. Insert the Rate Adjustment Lever (4) into Parking Leg (5) flange as shown. Install Rate Adjustment Lever Guide (6) onto Rate Adjustment Lever (4). NOTE orientation of Rate Adjustment Lever Guide (6). If you install it upside down, you will not be able to attach it to the Handle (3, Not Shown). **NOTE: The Rate Adjustment Lever (4) has bends at both ends.**

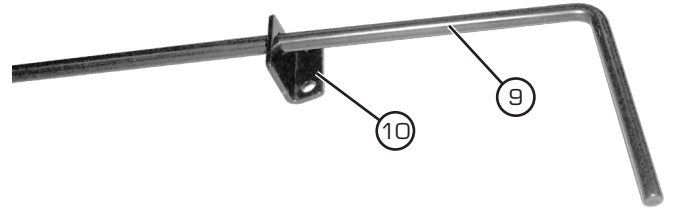


11. Install Rate Adjustment Lever (4) through bracket (D) in Handle (3).

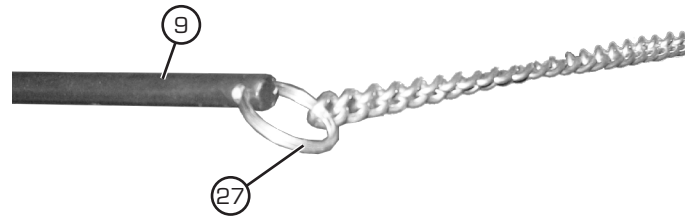


# ASSEMBLY

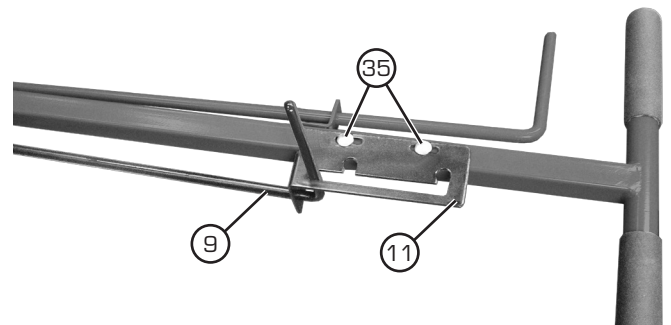
12. Slide Spread Plate Shutoff Lever (9) into Shutoff Guide (10) as shown.



13. Assemble Key Ring (27) assembly to end of the Spread Plate Shutoff Lever (9).

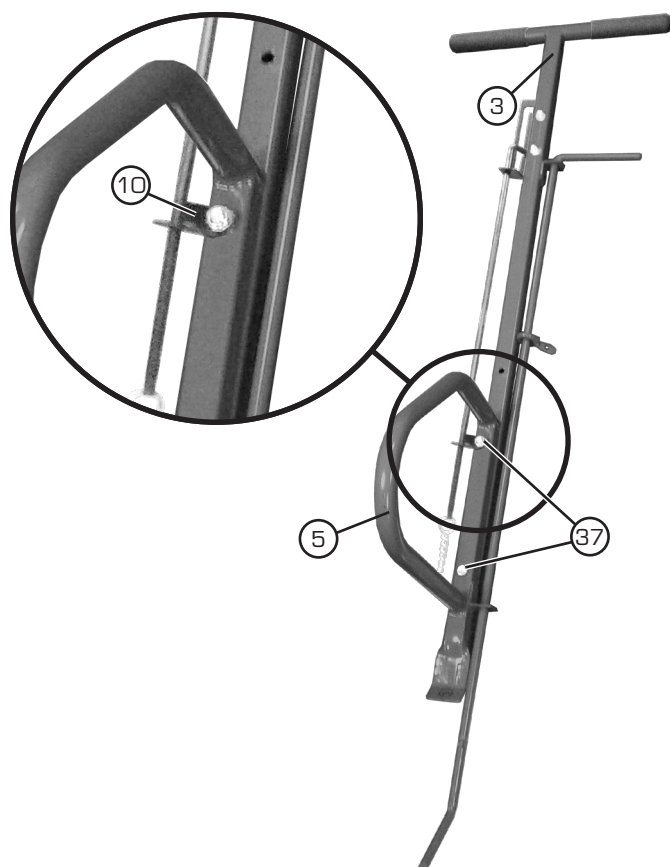


14. Insert Spread Plate Shutoff Lever (9) into Lever Lock (11) as shown, then install Lever Lock (11) as shown using two 1/4"-20 x 1-1/2" Carriage Bolt (35) and two 1/4"-20 Flange Nuts (34, Not Shown).



# ASSEMBLY

15. Assemble Handle (3) to Parking Leg (5) using two 5/16"-18 x 2-1/2" Hex Bolts (36, Not Shown) and two 5/16"-18 Nylon Lock Nuts (37). Be sure to install Shutoff Guide (10) as shown.

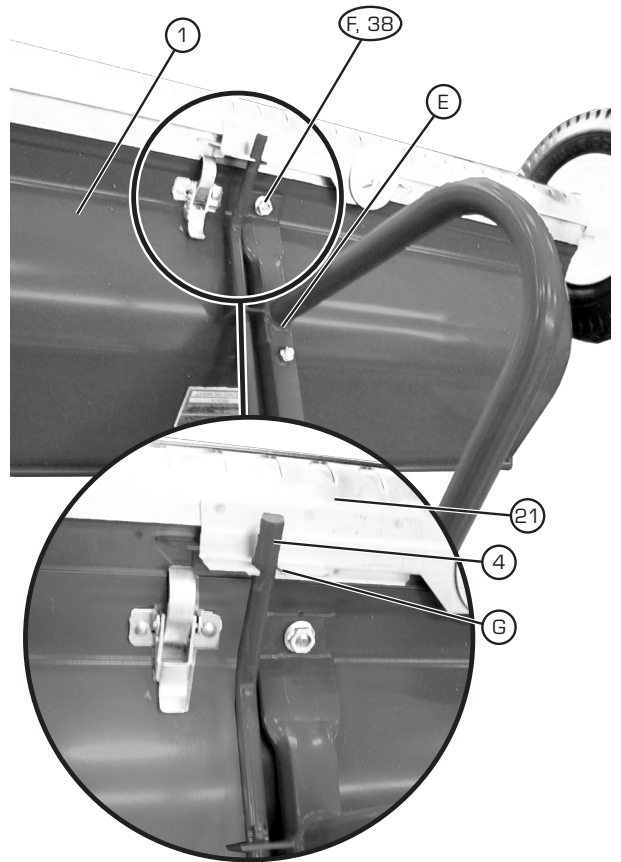




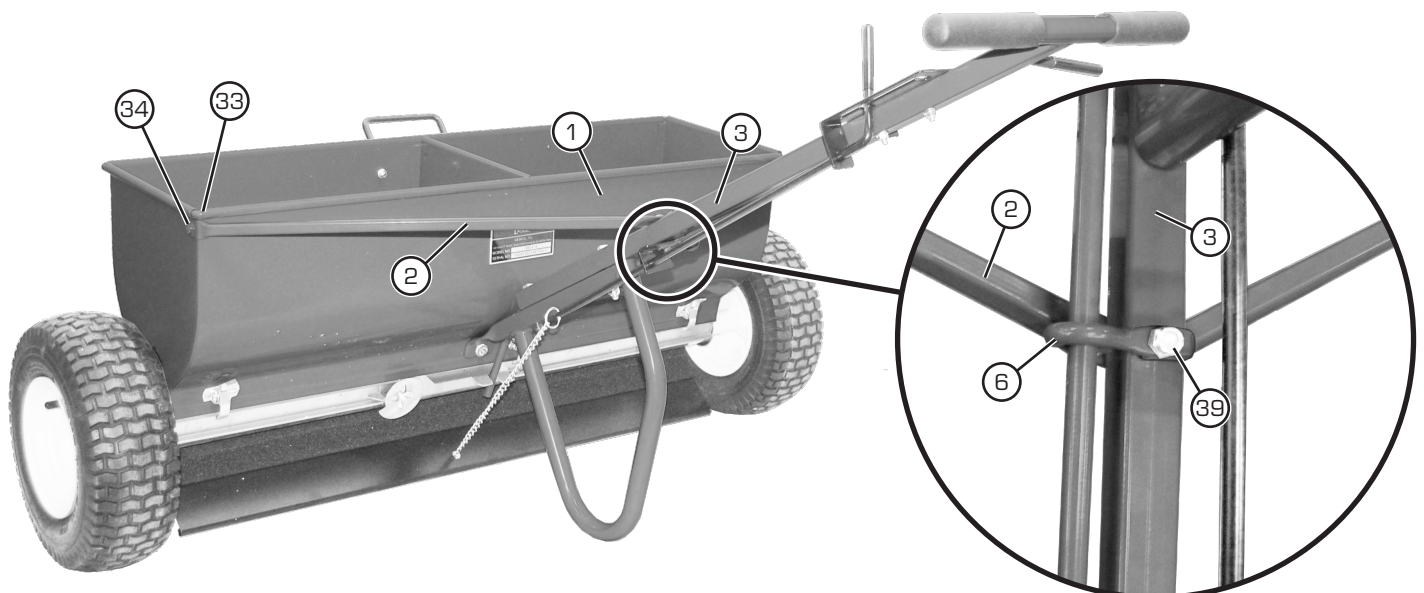
# ASSEMBLY

16. Install Handle Assembly (E) to Hopper Body (1) as shown. Install onto Stud (F) and attach with 5/16"-18 Flange Nut (38).

**NOTE: Rate Adjustment Lever (4) must sit in Notch (G) when using Variable Rate Bottom (21) as shown.**



17. Attach Shutoff Lever Guide (6) and Handle Brace (2) to Handle (3) using 1/4"-20 x 1-3/4" Hex Bolt (40, Not Shown) and 1/4"-20 Lock Nut (39). Attach Handle Brace (2) to Hopper Body (1) as shown using one 1/4"-20 x 1/2" Hex Bolts (33) and one 1/4"-20 Flange Nuts (34) for each end.



Underside of Handle Shown.

# ASSEMBLY

## For Users of the Fixed Rate Bottom

**NOTE: When using the Fixed Rate Bottom (29), The Spread Plate (8) rubber pad should contact the Fixed Rate Bottom as specified in Step 7.**

### 18A. Adjustment of the Spread Plate Shutoff Lever (9):

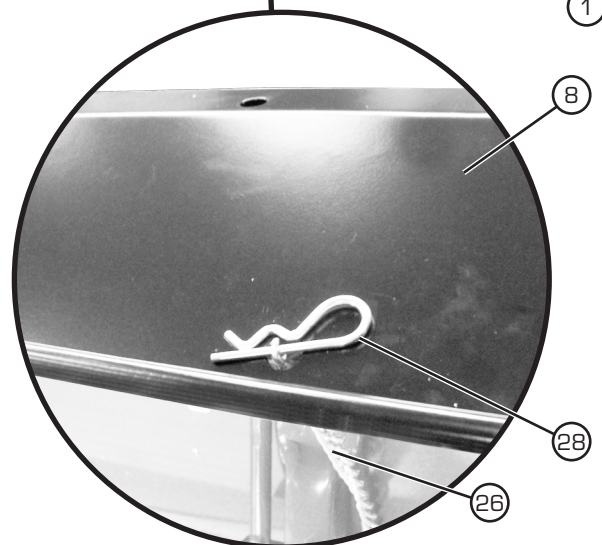
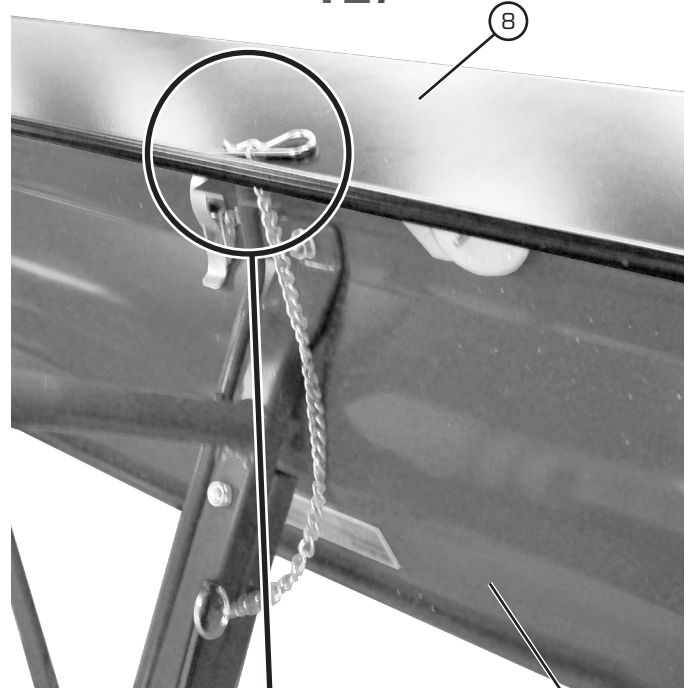
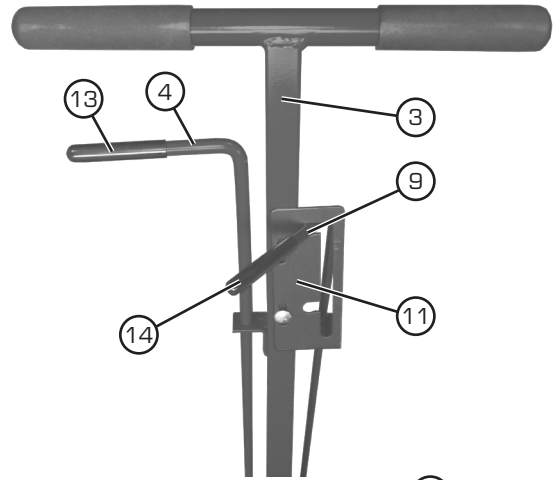
With Spread Plate Shutoff Lever (9) in highest position in the Lever Lock (11), fully lift Spread Plate (8) and install Hair Pin Cotter (28) through #50 Sash Chain (26) to hold the Spread Plate (8) tight against the bottom of the Hopper Body (1). You may need to adjust the Spread Lever Lock (11) on Handle (3) to get a better fit. You may need to install the cotter pin several links up on the chain for proper fit.

## For Users of the Variable Rate Bottom

**NOTE: When using the Variable Rate Bottom (21), the Spreader Plate (8) rubber pad should face away from the Variable Rate Bottom (21) as specified in Step 7.**

18B. Angle of the Spread Plate (8) can be controlled by making adjustments to the position of the Spread Plate Lever (9), Lever Lock (11), Hair Pin Cotter (28) and the #50 Sash Chain (26). Set the Spread Plate (8) so that it is 1/2" off the ground when the drop spreader rests on a flat surface. When you are traveling over terrain, the Spread Plate (8) should just touch the ground. Use the Rate Adjustment Lever (4) to open and close the Variable Rate Bottom.

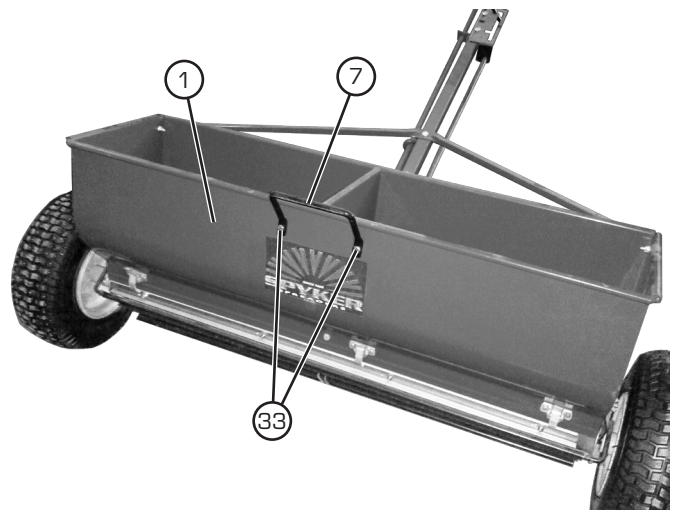
19. Install Shutoff Grip (13) onto Rate Adjustment Lever (4), and install Lever Grip (14) onto Spread Plate Shutoff Lever (9).



NOTE: Spreader shown upside down for clarity.

# ASSEMBLY

20. Install Lift Handle (7) to Hopper Body (1) using two 1/4"-20 x 1/2" Hex Bolts (33) and two 1/4"-20 Flange Nuts (34, Not Shown).



# MAINTENANCE

## Empty When Finished, Remove Hopper Bottom and Rotors

1. After hopper has been emptied, turn hopper over, straighten and remove 7/64" Cotter Pins (44), pull 0.172" x 1.60" Clevis Pins (43) out of Pneumatic Wheels (24), and remove Pneumatic Wheels.
2. Loosen and remove 5/16" Wingnuts (31) securing End Bearing Retainers (15,16). Remove the End Bearing Retainers (15, 16) and the Spread Plate (8).
3. Loosen the latches that secure bottom (21 or 29), and remove bottom. Remove End Bearings (17), Rotor End Washers (19), and Rotor Bars (20).
4. Wipe all parts clean.
5. **Place a few drops of oil on the end and center bearings after each use.** The bearings are oil impregnated and will replenish themselves to their absorption capacity. Some materials have a fine powder in the mixture, so it may be necessary to oil the bearings more often to prevent the powder from working into them.
6. Reassemble.

### IF NECESSARY, REMOVE SLIDE FROM HOPPER BOTTOM FOR CLEANING

7. If some materials build up on the hopper bottom, especially when humidity is high, disassemble the slide assembly by removing the #10 Nylon Locknuts (42), #10 Nylon Washers (41) and slide hanger. Wipe clean.
8. Reassemble slide on hopper bottom. For proper slide tension when reassembling slide, gently drive the hanger to the left until the dimple in the slide hanger and bottom match. Secure slide hanger with #10 Nylon Washers (41) and #10 Nylon Locknuts (42).

## TO CHANGE HOPPER BOTTOM TYPE:

1. Place spreader upside down.

2. Remove the Hair Pin Cotter (28) that holds the #50 Sash Chain (26) to the Spread Plate (8). Tilt the Spread Plate (8) away from the Hopper Body (1).
3. Unlatch each of the six latches that hold the current bottom in place and lift the bottom piece out of the hopper.
4. Align and press the desired bottom piece into the grooves on the hopper body as specified in the assembly Step 4.  
**NOTE: Ensure that Rate Adjustment Lever (4) is aligned into notch during reassembly while installing the Variable Rate Bottom.**  
**NOTE: Ensure that Spread Plate (8) is oriented correctly as shown in assembly Step 7.**
5. Reattach the Hair Pin Cotter (28) onto the #50 Sash Chain (26) to control the shut off or angle of the Spread Plate (8) as specified in assembly Step 18.

## CALIBRATION/ APPLICATION

### 1. DETERMINE APPLICATION SPEED

Use these distance traveled in one minute:

1 mph 88 ft	2 mph 176 ft	3 mph 264 ft	4 mph 352 ft	5 mph 440 ft
1 km/h 16.67 m	2 km/h 33.34 m	3 km/h 50 m	4 km/h 66.68 m	5 km/h 83.35 m

### 2. SET GAUGE

Move gauge away from the stop before attempting adjustment. Turn gauge to desired number, using the top surface of the stop as the setting indicator. You can 'fine tune' the gauge with extreme precision. The gauge is marked in increments of one. If you adjust one tenth of one gauge stop, from 27.7 to 27.8, for example, the slide will open approximately on thousandth of an inch more. Check your results as outlined in Step 3 and make adjustments as necessary.

**NOTE: Always move the gauge away from the stop before attempting to set the gauge.**

### 3. CHECK RATE

Making a precision application is now simply a matter of filling up the hopper, moving the lever so the gauge is against the stop, walking at your selected speed, and checking your rate.

Check your rate as follows:

1. Empty the hopper of all material.
2. Dump two 50 lb bags (or whatever size is standard for the material you are using) into the hopper-placing one bag into each "half" of the hopper.
3. Treat a known area, such as 1,000 square feet at your desired speed.
4. Empty and weigh the material that is left inside the hopper after treatment.
5. Calculate the rate in lbs/sq.ft by using:

$$\text{Rate} = \frac{\begin{matrix} (\text{Weight} & & (\text{Weight} \\ \text{Before} & - & \text{After} \\ \text{Treatment}) & & \text{Treatment}) \end{matrix}}{\text{Area Treated}}$$

**NOTE: Weights are measured in lbs, and Area Treated is measured in sq.ft.**

**NOTE: When first using the spreader and checking rate, it is best to start with a lower (smaller gate opening) gauge number. Applying product at a higher rate than product specification could damage turf.**

It is important that you check your rate to see that the setting you chose is giving you the results you want.

Atmospheric conditions alone can affect the flow of materials.

**CAUTION: When applying high potency fertilizer that will burn, be sure to be moving when beginning application.**

## SPECIFICATIONS

<b>Model</b>	P70-12010 36" Drop Spreader
<b>Hopper Capacity</b>	120 lbs. (1.8 cu.ft.)
<b>Rotor</b>	Three rods spaced uniformly around rotor.
<b>Rotor Bearing</b>	Porous, oil-impregnated, sintered bronze alloy, sleeve type.
<b>Rate Gauge</b>	Precision cam gauge.

<b>Adjustable Rate Bottom and Rate Control Slide</b>	Stainless steel bottom and slide micro-precision mated. Openings uniform for all gauge settings. Snaps off for cleaning.
<b>Fixed Rate Bottom</b>	Powder coated bottom with 1/2" openings for a fixed flowrate.
<b>Shut-Off</b>	Crank lever closes slide of standard variable rate bottom.
<b>Wheel</b>	Rubber-tired 13" molded plastic tire, 5" wide.
<b>Spread Plate</b>	Standard, angle adjusted by chain to produce sheet-like application and act as wind guard.
<b>Extra Equipment</b>	Fixed-rate bottom to replace variable-rate bottom. Applies top dressing or other material through fixed slot.
<b>Shipping Weight</b>	61 lbs.

# Herbicide / Fertilizer

For Spreader P70-12010

## 22-5-7 | Weed and Feed Herbicide / Fertilizer

Pounds per Broadcast Acre

Gauge	1 mph	2 mph	3 mph	4 mph	5 mph	6 mph	7 mph	8 mph	9 mph	10 mph
16	25									
17	50	25	17	12	10					
18	75	37	25	19	15	12	11			
19	100	50	33	25	20	17	14	12	11	10
20	125	62	42	31	25	21	18	16	14	12
21	164	82	55	41	33	27	23	20	18	16
22	202	101	67	51	40	34	29	25	22	20
23	241	120	80	60	48	40	34	30	27	24
24	279	140	93	70	56	47	40	35	31	28
25		159	106	80	64	53	45	40	35	32
26		191	127	95	76	64	54	48	42	38
27		222	148	111	89	74	63	56	49	44
28		254	169	127	101	85	72	63	56	51
29		285	190	143	114	95	82	71	63	57
30		317	211	158	127	106	91	79	70	63
31			263	197	158	132	113	99	88	79
32			315	236	189	158	135	118	105	95
33			367	275	220	184	157	138	122	110
34				314	252	210	180	157	140	126
35					283	236	202	177	157	141
36					316	263	226	198	176	158
37						291	250	218	194	175
38						319	273	239	213	191
39							297	260	231	208
40							321	281	250	225
41								307	273	246
42									296	267
43									319	288
44										308
45										
46										
47										
48										
49										
50										

Pounds per 1000 Square Feet

1 mph	2 mph	3 mph	4 mph	5 mph	6 mph	7 mph	8 mph	9 mph	10 mph
0.6									
1.1	0.6	0.4							
1.7	0.9	0.6	0.4						
2.3	1.1	0.8	0.6	0.5	0.4				
2.9	1.4	1.0	0.7	0.6	0.5	0.4	0.4		
3.8	1.9	1.3	0.9	0.8	0.6	0.5	0.5	0.4	0.4
4.6	2.3	1.5	1.2	0.9	0.8	0.7	0.6	0.5	0.5
5.5	2.8	1.8	1.4	1.1	0.9	0.8	0.7	0.6	0.6
6.4	3.2	2.1	1.6	1.3	1.1	0.9	0.8	0.7	0.6
7.3	3.7	2.4	1.8	1.5	1.2	1.0	0.9	0.8	0.7
8.8	4.4	2.9	2.2	1.8	1.5	1.3	1.1	1.0	0.9
10.2	5.1	3.4	2.6	2.0	1.7	1.5	1.3	1.1	1.0
	5.8	3.9	2.9	2.3	1.9	1.7	1.5	1.3	1.2
	6.5	4.4	3.3	2.6	2.2	1.9	1.6	1.5	1.3
	7.3	4.8	3.6	2.9	2.4	2.1	1.8	1.6	1.5
	9.1	6.0	4.5	3.6	3.0	2.6	2.3	2.0	1.8
	10.9	7.2	5.4	4.3	3.6	3.1	2.7	2.4	2.2
		8.4	6.3	5.1	4.2	3.6	3.2	2.8	2.5
		9.6	7.2	5.8	4.8	4.1	3.6	3.2	2.9
		10.8	8.1	6.5	5.4	4.6	4.1	3.6	3.2
			9.1	7.3	6.0	5.2	4.5	4.0	3.6
			10.0	8.0	6.7	5.7	5.0	4.5	4.0
				8.8	7.3	6.3	5.5	4.9	4.4
				9.5	8.0	6.8	6.0	5.3	4.8
				10.3	8.6	7.4	6.4	5.7	5.2
					9.4	8.1	7.0	6.3	5.6
					10.2	8.7	7.6	6.8	6.1
						9.4	8.3	7.3	6.6
						10.1	8.9	7.9	7.1
							9.5	8.4	7.6
							10.1	9.0	8.1
								9.6	8.7
								10.2	9.2
									9.8
									10.3

# Herbicide / Fertilizer

For Spreader P70-12010

## 24-3-6 | Fertilizer with 1.5% Team

Pounds per Broadcast Acre

Gauge	1 mph	2 mph	3 mph	4 mph	5 mph	6 mph	7 mph	8 mph	9 mph	10 mph
17	23									
18	34									
19	45									
20	57	28								
21	75	38								
22	94	47	31							
23	112	56	37	28						
24	131	65	44	33						
25	149	75	50	37	30					
26	184	92	61	46	37	31				
27	219	110	73	55	44	37	31			
28	254	127	85	64	51	42	36	32		
29	289	145	96	72	58	48	41	36	32	
30	324	162	108	81	65	54	46	41	36	32
31	394	197	131	98	79	66	56	49	44	39
32	464	232	155	116	93	77	66	58	52	46
33	533	267	178	133	107	89	76	67	59	53
34		302	201	151	121	101	86	75	67	60
35		337	224	168	135	112	96	84	75	67
36		396	264	198	158	132	113	99	88	79
37		455	304	288	182	152	130	114	101	91
38		515	343	257	206	172	147	129	114	103
39		574	383	287	230	191	164	144	128	115
40			423	317	254	211	181	158	141	127
41			471	353	283	236	202	177	157	141
42			520	390	312	260	223	195	173	156
43			568	426	341	284	244	213	189	171
44				463	370	308	264	231	206	185
45				499	399	333	285	250	222	200
46				539	431	359	308	269	239	215
47					463	386	330	289	257	231
48					494	412	353	309	275	247
49					526	438	376	329	292	263
50						465	398	349	310	279
51						513	439	384	342	308
52						561	480	420	374	336
53							522	456	406	365
54								492	438	394
55								528	470	423
56									501	451
57										480
58										
59										

Pounds per 1000 Square Feet

1 mph	2 mph	3 mph	4 mph	5 mph	6 mph	7 mph	8 mph	9 mph	10 mph
0.8									
1.0									
1.3	0.7								
1.7	0.9	0.6							
2.2	1.1	0.7							
2.6	1.3	0.9	0.6						
3.0	1.5	1.0	0.8	0.6					
3.4	1.7	1.1	0.9	0.7	0.6				
4.2	2.1	1.4	1.1	0.8	0.7	0.6			
5.0	2.5	1.7	1.3	1.0	0.8	0.7	0.6		
5.8	2.9	1.9	1.5	1.2	1.0	0.8	0.7	0.6	
6.6	3.3	2.2	1.7	1.3	1.1	0.9	0.8	0.7	
7.4	3.7	2.5	1.9	1.5	1.2	1.1	0.9	0.8	0.7
9.0	4.5	3.0	2.3	1.8	1.5	1.3	1.1	1.0	0.9
10.6	5.3	3.5	2.7	2.1	1.8	1.5	1.3	1.2	1.1
12.2	6.1	4.1	3.1	2.4	2.0	1.7	1.5	1.4	1.2
13.8	6.9	4.6	3.5	2.8	2.3	2.0	1.7	1.5	1.4
	7.7	5.2	3.9	3.1	2.6	2.2	1.9	1.7	1.5
	9.1	6.1	4.5	3.6	3.0	2.5	2.3	2.0	1.8
	10.5	7.0	5.2	4.2	3.5	3.0	2.6	2.3	2.1
	11.8	7.9	5.9	4.7	3.9	3.4	3.0	2.6	2.4
	13.2	8.8	6.6	5.3	4.4	3.8	3.3	2.9	2.6
		9.7	7.3	5.8	4.9	4.2	3.6	3.2	2.9
		10.8	8.1	6.5	5.4	4.6	4.1	3.6	3.2
		11.9	8.9	7.2	6.0	5.1	4.5	4.0	3.6
		13.0	9.8	7.8	6.5	5.6	4.9	4.3	3.9
			10.6	8.5	7.1	6.1	5.3	4.7	4.2
			11.5	9.2	7.6	6.5	5.7	5.1	4.6
			12.4	9.9	8.2	7.1	6.2	5.5	4.9
			13.3	10.6	8.9	7.6	6.6	5.9	5.3
				12.1	10.1	8.6	7.5	6.7	6.0
				12.8	10.7	9.1	8.0	7.1	6.4
				14.1	11.8	10.1	8.8	7.8	7.1
					12.9	11.0	9.7	8.6	7.7
					14.0	12.0	10.5	9.3	8.4
						12.9	11.3	10.0	9.0
						13.9	12.1	10.8	9.7
							13.0	11.5	10.4
							13.8	12.2	11.0
								13.0	11.7
									12.3

# Chemical

For Spreader P70-12010

## Diazinon 5G

Pounds per Broadcast Acre

Pounds per 1000 Square Feet

Gauge	1 mph	2 mph	3 mph	4 mph	5 mph	6 mph	7 mph	8 mph	9 mph	10 mph
19	19									
20	24									
21	30									
22	36	18								
23	41	21								
24	47	23								
25	52	26	17							
26	61	31	20							
27	70	35	23	18						
28	79	39	26	20						
29	88	44	29	22	18					
30	97	48	32	24	19					
31	113	57	38	28	23	19				
32	130	65	43	32	26	22	19			
33	146	73	49	37	29	24	21	18		
34	163	81	54	41	33	27	23	20	18	
35		90	60	45	36	30	26	22	20	18
36		104	69	52	42	35	30	26	23	21
37		118	79	59	47	39	34	30	26	24
38		133	88	66	53	44	38	33	29	27
39		147	98	73	59	49	42	37	33	29
40			107	81	64	54	46	40	36	32
41			130	97	78	65	56	49	43	39
42			152	114	91	76	65	57	51	46
43				131	105	87	75	65	58	52
44				147	118	98	84	74	65	59
45				164	131	109	94	82	73	66
46					145	120	103	90	80	72
47					158	132	113	99	88	79
48						143	122	107	95	86
49						154	132	115	103	92
50							141	124	110	99
51							160	140	125	112
52								157	140	126
53									154	139
54										152
55										
56										
57										
58										
59										

1 mph	2 mph	3 mph	4 mph	5 mph	6 mph	7 mph	8 mph	9 mph	10 mph
0.7									
0.8									
0.9									
1.1									
1.2									
1.4	0.7								
1.6	0.8								
1.8	0.9								
2.0	1.0								
2.2	1.1	0.7							
2.6	1.3	0.9							
3.0	1.5	1.0	0.7						
3.4	1.7	1.1	0.8						
3.7	1.9	1.2	0.9	0.7					
4.1	2.1	1.4	1.0	0.8	0.7				
4.8	2.4	1.6	1.2	1.0	0.8	0.7			
5.4	2.7	1.8	1.4	1.1	0.9	0.8			
	3.0	2.0	1.5	1.2	1.0	0.9			
	3.4	2.2	1.7	1.3	1.1	1.0	0.8	0.7	
	3.7	2.5	1.9	1.5	1.2	1.1	0.9	0.8	0.7
	4.5	3.0	2.2	1.8	1.5	1.3	1.1	1.0	0.9
	5.2	3.5	2.6	2.1	1.7	1.5	1.3	1.2	1.0
		4.0	3.0	2.4	2.0	1.7	1.5	1.3	1.2
		4.5	3.4	2.7	2.3	1.9	1.7	1.5	1.4
		5.0	3.8	3.0	2.5	2.2	1.9	1.7	1.5
			4.1	3.3	2.8	2.4	2.1	1.8	1.7
			4.5	3.6	3.0	2.6	2.3	2.0	1.8
			4.9	3.9	3.3	2.8	2.5	2.2	2.0
			5.3	4.2	3.5	3.0	2.6	2.4	2.1
				4.5	3.8	3.2	2.8	2.5	2.3
				5.2	4.3	3.7	3.2	2.9	2.6
					4.8	4.1	3.6	3.2	2.9
					5.3	4.6	4.0	3.5	3.2
						5.0	4.4	3.9	3.5
							4.7	4.2	3.8
							5.1	4.6	4.1
								4.9	4.4
								5.2	4.7
									5.0



# Chemical

For Spreader P70-12010

## Oftanol 1.5%

Pounds per Broadcast Acre

Pounds per 1000 Square Feet

Gauge	Pounds per Broadcast Acre										Pounds per 1000 Square Feet									
	1 mph	2 mph	3 mph	4 mph	5 mph	6 mph	7 mph	8 mph	9 mph	10 mph	1 mph	2 mph	3 mph	4 mph	5 mph	6 mph	7 mph	8 mph	9 mph	10 mph
16											0.3									
17	25										0.6	0.3								
18	38	19									0.9	0.4	0.3							
19	51	25	17								1.2	0.6	0.4	0.3						
20	63	32	21	16							1.5	0.7	0.5	0.4						
21	80	40	27	20	16						1.8	0.9	0.6	0.5						
22	97	48	32	24	19	16					2.2	1.1	0.7	0.6	0.4					
23	113	57	38	28	23	19	16				2.6	1.3	0.9	0.6	0.5	0.4				
24	130	65	43	32	26	22	19	16			3.0	1.5	1.0	0.7	0.6	0.5	0.4			
25	146	73	49	37	29	24	21	18	16		3.4	1.7	1.1	0.8	0.7	0.6	0.5	0.4		
26	173	86	58	43	35	29	25	22	19	17	4.0	2.0	1.3	1.0	0.8	0.7	0.6	0.5	0.4	
27		100	66	50	40	33	28	25	22	20	4.6	2.3	1.5	1.1	0.9	0.8	0.7	0.6	0.5	
28		113	75	56	45	38	32	28	25	23	5.2	2.6	1.7	1.3	1.0	0.9	0.7	0.6	0.6	0.5
29		126	84	63	50	42	36	31	28	25	5.8	2.9	1.9	1.4	1.2	1.0	0.8	0.7	0.6	0.6
30		139	93	70	56	46	40	35	31	28	6.4	3.2	2.1	1.6	1.3	1.1	0.9	0.8	0.7	0.6
31		161	108	81	65	54	46	40	36	32		3.7	2.5	1.9	1.5	1.2	1.1	0.9	0.8	0.7
32			122	92	73	61	52	46	41	37		4.2	2.8	2.1	1.7	1.4	1.2	1.1	0.9	0.8
33			137	103	82	69	59	51	46	41		4.7	3.2	2.4	1.9	1.6	1.4	1.2	1.1	0.9
34			152	114	91	76	65	57	51	46		5.2	3.5	2.6	2.1	1.7	1.5	1.3	1.2	1.0
35			167	125	100	83	72	63	56	50		5.7	3.8	2.9	2.3	1.9	1.6	1.4	1.3	1.1
36				143	115	95	82	72	64	57		6.6	4.4	3.3	2.6	2.2	1.9	1.6	1.5	1.3
37				161	129	107	92	81	72	64			4.9	3.7	3.0	2.5	2.1	1.8	1.6	1.5
38					143	119	102	89	80	72				5.5	4.1	3.3	2.7	2.3	2.1	1.8
39					158	131	113	98	88	79				6.0	4.5	3.6	3.0	2.6	2.3	2.0
40					172	143	123	107	95	86					4.9	3.9	3.3	2.8	2.5	2.2
41						174	149	131	116	105				6.0	4.8	4.0	3.4	3.0	2.7	2.4
42							176	154	137	123					5.7	4.7	4.0	3.5	3.1	2.8
43								177	158	142					6.5	5.4	4.7	4.1	3.6	3.3
44									178	161						6.1	5.3	4.6	4.1	3.7
45										179						5.9	5.1	4.6	4.1	3.7
46																6.5	5.7	5.1	4.5	4.5
47																	6.2	5.5	5.0	5.0
48																		6.0	5.4	5.8
49																				5.8
50																				6.3

# Seed

For Spreader P70-12010

## Classic Grass Seed

Pounds per Broadcast Acre

Pounds per 1000 Square Feet

Gauge	Pounds per Broadcast Acre										Pounds per 1000 Square Feet									
	1 mph	2 mph	3 mph	4 mph	5 mph	6 mph	7 mph	8 mph	9 mph	10 mph	1 mph	2 mph	3 mph	4 mph	5 mph	6 mph	7 mph	8 mph	9 mph	10 mph
30	42																			
31	46																			
32	50																			
33	54																			
34	58																			
35	62																			
36	66																			
37	70																			
38	74																			
39	78																			
40	82	41																		
41	88	44																		
42	94	47																		
43	100	50										2.2								
44	106	53										2.3								
45	113	56										2.4								
46	123	62	41									2.6								
47	134	67	45									2.8								
48	145	72	48									3.1								
49	156	78	52									3.3								
50	166	83	55	42								3.6								
51	192	96	64	48								3.8								
52	217	108	72	54	43							4.4	2.2							
53	242	121	81	61	48	40						5.0	2.5							
54	267	134	89	67	53	45						5.6	2.8							
55	293	146	98	73	59	49	42					6.1	3.1	2.0						
56		159	106	80	64	53	45	40				6.7	3.4	2.2						
57		172	114	86	69	57	49	43				7.3	3.7	2.4						
58		184	123	92	74	61	53	46	41			7.9	3.9	2.6	2.0					
59		197	131	98	79	66	56	49	44			8.5	4.2	2.8	2.1					
60		210	140	105	84	70	60	52	47	42		9.0	4.5	3.0	2.3					
65			277	208	166	138	119	104	92	83		9.6	4.8	3.2	2.4	1.9	1.6			
70				311	248	207	177	155	138	124			9.5	6.4	4.8	3.8	3.2	2.7	2.4	2.1
75					294	245	210	184	163	147				9.5	7.1	5.7	4.8	4.1	3.6	3.2
80						283	242	212	188	170					8.4	6.7	5.6	4.8	4.2	3.7
																7.8	6.5	5.6	4.9	4.3
																				3.9

# Seed

For Spreader P70-12010

## Eagle Blend Grass

Pounds per Broadcast Acre

Pounds per 1000 Square Feet

Gauge	Pounds per Broadcast Acre										Pounds per 1000 Square Feet									
	1 mph	2 mph	3 mph	4 mph	5 mph	6 mph	7 mph	8 mph	9 mph	10 mph	1 mph	2 mph	3 mph	4 mph	5 mph	6 mph	7 mph	8 mph	9 mph	10 mph
24	42																			
25	45																			
26	50																			
27	54																			
28	59																			
29	64																			
30	68																			
31	76																			
32	83	41																		
33	90	45																		
34	97	49																		
35	105	52																		
36	116	58																		
37	127	63	42																	
38	138	69	46																	
39	149	75	50																	
40	160	80	53	40																
41	182	91	61	46																
42	204	102	68	51	41															
43	226	113	75	57	45															
44	248	124	83	62	50	41														
45	271	135	90	68	54	45														
46	293	146	98	73	59	49	42													
47		157	105	79	63	52	45													
48		168	112	84	67	56	48	42												
49		179	120	90	72	60	51	45	40											
50		190	127	95	76	63	54	48	42											
51		220	147	110	88	73	63	55	49	44										
52		250	167	125	100	83	71	63	56	50										
53			187	140	112	93	80	70	62	56										
54			207	155	124	103	89	77	69	62										
55			227	170	136	113	97	85	76	68										
56				185	148	123	106	92	82	74										
57				200	160	133	114	100	89	80										
58				215	172	143	123	107	95	86										
59				230	184	153	131	115	102	92										
60					196	163	140	122	109	98										
65						264	226	198	176	158										
70										243	218									



## **1 YEAR LIMITED WARRANTY**

This is warranted to the original purchaser only. Spyker will replace parts with defects in materials and workmanship, for a period of one year from the date of purchase.

For Spyker Spreaders—a Brinly-Hardy Company, products employing metal gear systems, pinion and bevel, these metal gears, only, not inclusive of any other parts or materials, are warranted for the life of the spreader, not to be used for replacement or repair past original purchase.

Spyker Spreaders will not be liable for any loss, damage or expense including, but not limited to, consequential or incidental damages, arising from the operation, condition or use of the item. The sole and exclusive remedy against Spyker Spreaders being the replacement of the defective parts. This warranty gives you specific legal rights, and you may also have other rights which vary from state to state.

**This express warranty, which is applicable only to the original purchase, is in lieu of and excludes all other warranties, whether expressed or implied by operation of law or otherwise, including any warranty of merchantability or fitness for particular purpose.**

**SPYKER SPREADERS**  
**Jeffersonville, IN 47130 USA**  
**Phone: 800.972.6130**