

## Wood & Glass Shelving Attachments mix & match for the right solution



Kostklip® can assemble ticket moldings for wood and glass shelving that range from 1/4" to 7/8" thick.

Standard colors include clear, white and black. A variety of custom colors are available with a minimum run.

Stock ticket moldings are 4' long but can be cut down to any length.

Match a shelf attachment to any window option below:

Shelf Thickness	Shelf Attachment	Window Options	Example
1/8" - 1/4"	35-GV	34WC ClearVision® Available in 1.25"H and 1.5"H	35-GV + 34WC
1/8" - 1/4"	35-GA 18°		35-GA + 224
1/4" - 3/8"	35-GV1	224 ClearGrip™ Available in 1.25"H and 1.5"H	35-GV1 + 169
1/4" - 3/8"	35-GA1 18°		35-GA1 + 67
1/2" - 7/8"	35-WD 15°	67 Sign Grip Holds up to 0.06" thick signs	35-WD + 224



**Toll-Free North America 1.800.661.5547**

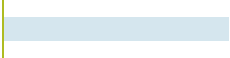


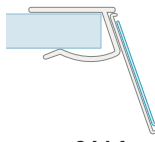

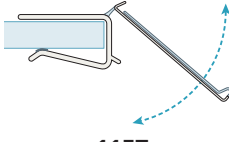

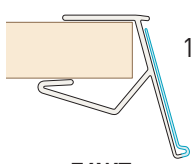
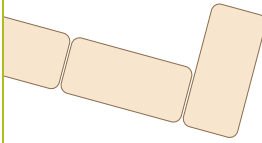
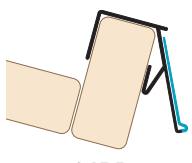


Kost Klip Manufacturing Ltd. | [www.kostklip.com](http://www.kostklip.com) | [sales@kostklip.com](mailto:sales@kostklip.com)

Wood-Glass-Attachments\_091514 | Printed in Canada

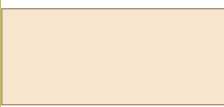
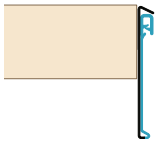



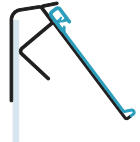
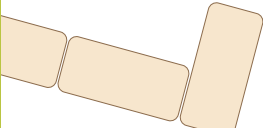
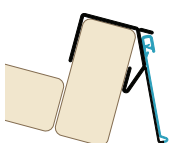
## Wood & Glass Shelving

existing ticket moldings for kostklip's shelf edge programs

### ClearVision®

Shelf Type	Ticket Molding
 1/8" - 1/4"	 18° <b>36AT</b>
 1/4" - 3/8"	 18° <b>36A1</b>
 1/4" - 3/8"	 18° <b>115T</b>
 1/2" - 3/4"	 15° <b>76WT</b>
 3/4"	 15° <b>34BR</b>
 1/4"	 25° <b>34RC</b>

### ClearGrip™

Shelf Type	Ticket Molding
 any flat surface	 <b>224T</b>
 1/4"	 25° <b>216T</b>
 1/4"	 45° <b>231T</b>
 3/4"	 45° <b>218T</b>

### In-Stock Solutions for Wood & Glass Shelving

Kostklip® offers wood and glass shelving ticket moldings for both ClearVision® and ClearGrip™ shelf edge programs. Our ticket moldings fit a range of shelf thicknesses, angle and hinge options.

See our online catalog at [kostklip.com](http://kostklip.com) for our selection of stocked colors and lengths.

Don't see what you need? Mix and match our shelf attachments (see other side) or contact us to help you create a custom solution for your application.



Toll-Free North America 1.800.661.5547

Kost Klip Manufacturing Ltd. | [www.kostklip.com](http://www.kostklip.com) | [sales@kostklip.com](mailto:sales@kostklip.com)

Wood-Glass-Attachments\_091514 | Printed in Canada