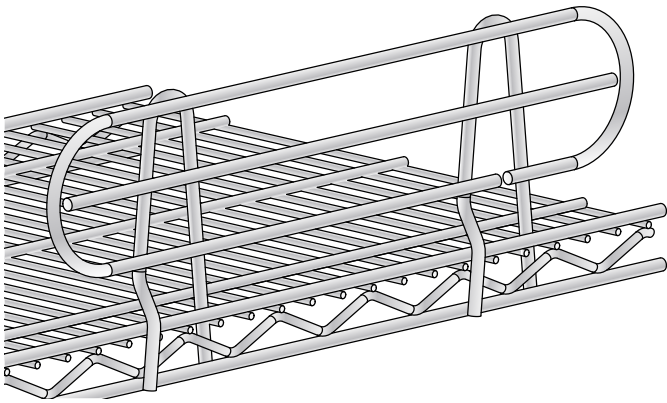


## Wire Ledge for Metro<sup>®</sup> Shelf Management

Kostklip's manufacturing capabilities include plastic, print and metal & wire products. Whether it be a wire fence, basket or custom design, kostklip<sup>®</sup> works with you to create the perfect solution for your merchandising needs. Choose from one of our in-stock products or call to have something made to order for your specific requirements.



Attaches to the front, back and sides of all Metro<sup>®</sup> style wire shelves

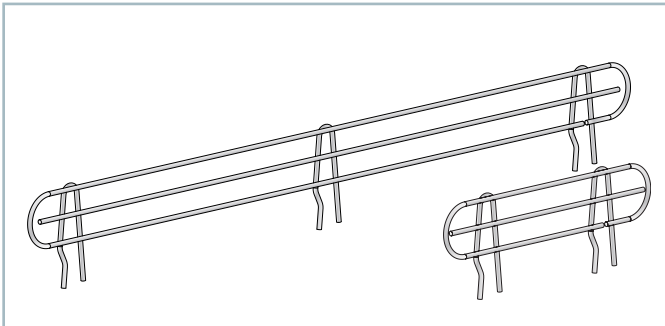
### FEATURES:

- Easy to attach to shelves – no tools required
- Prevents products from falling off shelf

Code	Description	Color	Pack
WFMS-109093	4"H x 18"L	CHRO	2
WFMS-109094	4"H x 48"L	CHRO	2

\* Custom lengths and styles available

\* Call for more details



**kostklip<sup>®</sup>**  
LIFE AT THE SHELF EDGE

Toll-Free North America 1.800.661.5547

Kost Klip Manufacturing Ltd. | [www.kostklip.com](http://www.kostklip.com) | [sales@kostklip.com](mailto:sales@kostklip.com)

WFMS\_Wire Ledge for Metro<sup>®</sup> Shelf Management\_VSN 1 | Printed in Canada