

Shelf Divider SYSTEM



kostklip[®]
LIFE AT THE SHELF EDGE

Toll-Free North America 1.800.661.5547

Kost Klip Manufacturing Ltd. | sales@kostklip.com | www.kostklip.com

Shelf Divider System

T & L-style dividers | inventory savers | display builders

This Shelf Divider System brochure was created to provide you a library of easy-to-install shelf organization tools. Keep your product where it matters most—at the shelf edge, your most valuable real estate within the store! Contact **kostklip®** for **custom** sizes and configurations.



Right, Left, Center – One SKU

Our high quality, clear PVC modular system can be configured in a **variety of sizes** to meet your product facing and shelf depth requirements. All products shown are simple to use and are economically designed to maximize shelf space.

Our new **SKU reducing**, innovative, tear-away dividers allow for time-saving and convenient installment and optimal product allocation. Easily convert a T-divider into an L-divider to fill product right to the ends of the shelf.

Advantages & Benefits

REDUCED COSTS...

- by **lowering** replenishment purchases for unnecessary inventory
- by **minimizing** stocking labor — reduces customer product rearrangement
- by **simplification** — easy to install and maintain without additional fasteners or required tools

IMPROVED ...

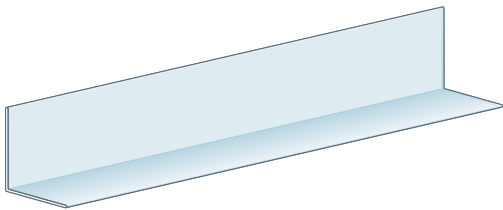
- **customer experience** — clean, organized shelves that keep products facing forward
- **shelf facings** and allocation — better shelf stock management
- **inventory management** — easily accommodates varying inventory allocation required by product turnover speed

L-Bracket Molding, Display Builder

34LB

- Use as a front fence at the shelf edge or a product divider on the shelf
- Available with **clear, foam or magnetic tape**
- Available in 1.25"H and 3"H

* Contact us for custom lengths



L-Style Shelf Divider

117D

- 0.015" clear PVC material
- **Clear tape** included
- Available with **magnetic tape or pushpins** (sold separately)
- Available in 1"H and 3"H

* Contact us for custom lengths

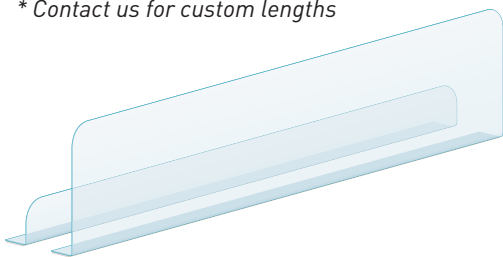


TABLE OF CONTENTS

Shelf Divider System OverviewPage 2
 L-Bracket MoldingPage 3
 L-Style Shelf DividerPage 3

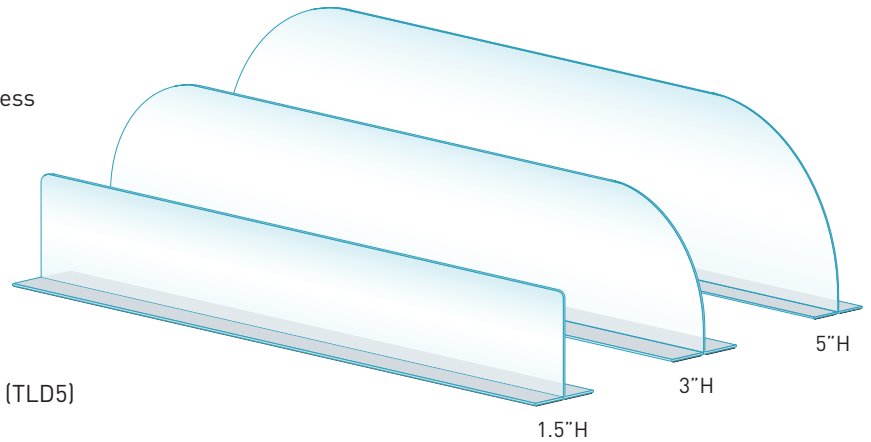
2-in-1 Magnetic DividerPage 4
 PopLock™ T & L-Style DividerPage 6
 Inventory SaverPage 7

2-in-1 Magnetic Divider

2-in-1 Magnetic Divider TLD1/TLD3/TLD5

- Clear PVC material
- Curved corners for safe and easy product access
- Comes with strong **magnetic tape**
- Easy to install and re-locate dividers
- **Two-in-one design** allows for maximum flexibility, easily converts from a T-style to L-style in one product – *no tools required!*
- Bend the notch at the base back and forth to break off and convert to L-style
- Available in 1.5"H (TLD1), 3"H (TLD3) and 5"H (TLD5)

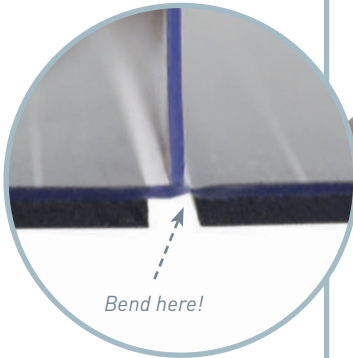
* Contact us for custom lengths



With our curved corner design, your customer can access product safely and easily.

EASILY CONVERT FROM T-STYLE TO L-STYLE

Maximize shelf space and keep SKUs low by converting T-style divider to L-style.



Simply bend back and forth at the notch to split apart. Only one side of the base detaches.

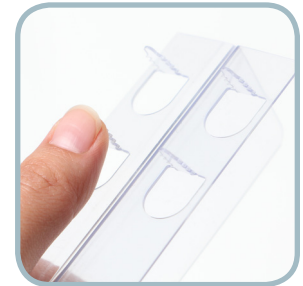


PopLock™ T & L-Style Divider

PopLock™ T & L-Style Shelf Divider 246D/247D

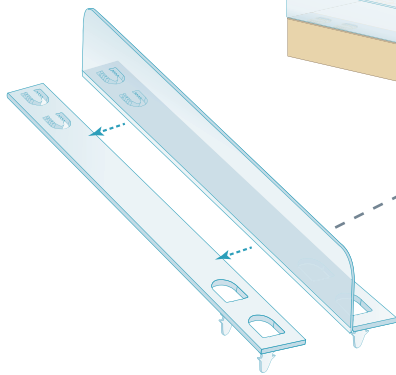
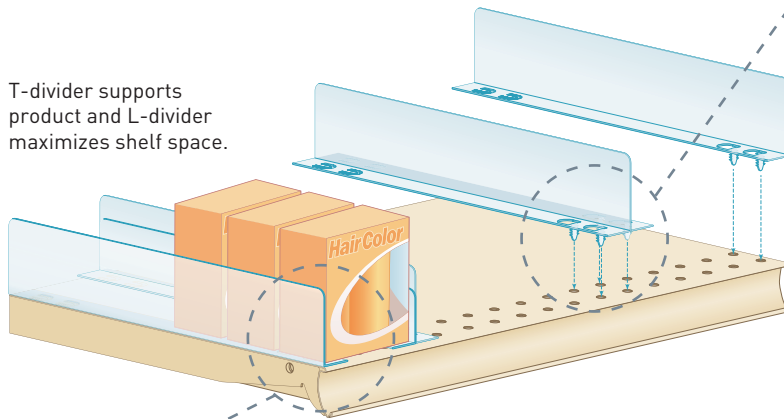
- Built-in PopLock™ pins eliminate the need for adhesive or magnetic tape to attach to the shelf
- Relocate dividers by turning 180° and using fresh set of PopLock™ pins on the other end
- **Two-in-one design** allows for maximum flexibility, easily converts from a T-style to L-style in one product – *no tools required!*
- Bend the notch at the base back and forth to break off and convert to L-style
- Available in 1.5"H (246D) and 3"H (247D)

* Contact us for custom lengths



Push down built-in PopLock™ pins to secure to metal shelving.

T-divider supports product and L-divider maximizes shelf space.



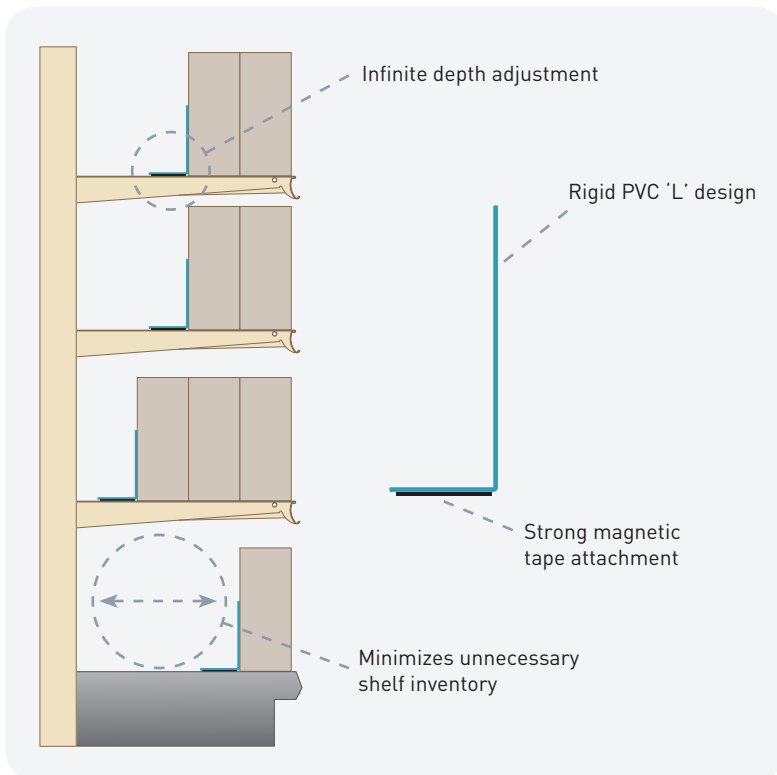
Convert T-divider to L-divider by bending the detachable base back and forth.



Inventory Saver



Reduce the amount of unnecessary inventory sitting on the shelf!

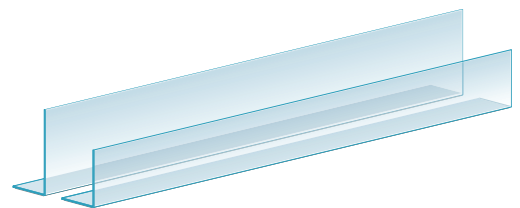


Inventory Saver

176D

- Provides a false back that helps minimize the amount of inventory sitting on a shelf
- Reduces customer product re-arrangement by searching deep into shelves
- Strong **magnetic tape** ensures firm attachment to metal shelves
- Available in 4"H and 6"H

* *Contact us for custom lengths*



CONTACT US TODAY

Call us today to learn more about our Shelf Divider System!

kostklip[®]
LIFE AT THE SHELF EDGE

1.800.661.5547 | sales@kostklip.com | www.kostklip.com

119-1611 Broadway St, Port Coquitlam BC V3C 2M7

Shelf-Divider-System-Brochure-070318 | Printed in Canada



Shelf Edge Solutions

Kostklip[®] is a solutions provider and innovator of in-store marketing and merchandising programs. We offer a range of products including ticket molding, ShelfTalkers[™], sign holders and shelf management systems. Our solutions are designed to reduce operational costs, improve store appearance and help increase sales.

As a manufacturer, we have the capability of customizing a solution that meets your requirements and needs. Our end-to-end services include:

- Consultation
- Concept Development
- Custom Engineering
- Prototypes
- Store Tests
- Store Kitting
- Installation & Training Support
- Logistics
- Support Services

Contact kostklip[®] today at 1.800.661.5547 or sales@kostklip.com to find a solution for your shelf edge challenge.