

# Deli Case PROGRAM



**kostklip**<sup>®</sup>  
LIFE AT THE SHELF EDGE

Toll-Free North America 1.800.661.5547

Kost Klip Manufacturing Ltd. | [sales@kostklip.com](mailto:sales@kostklip.com) | [www.kostklip.com](http://www.kostklip.com)





# TABLE OF CONTENTS

- Deli Case Program Overview . . . . . Page 3
- Protective Sign Sleeves . . . . . Page 4
- Sign Holder Bases . . . . . Page 5
- HealthTalkers™ . . . . . Page 6
- TwistKlips™ & Contour Bases . . . . . Page 7
- TwistKlips™ . . . . . Page 8
- Sign Holders . . . . . Page 9
- Signs & Sign Holders . . . . . Page 10
- Heat Resistant Sign Holders . . . . . Page 11
- Sleeve-Free Sign Holders . . . . . Page 12
- Grip Sign Holders . . . . . Page 14
- Shelf Dividers . . . . . Page 15

# Deli Case Program

protective sleeves | sign holders | TwistKlips™ | hot pan clips | ice spears

This Deli Case Program brochure was created to provide you with one-stop signage solutions for your **hot and cold food service stations**. Combine multiple sign holders to advertise your merchandising needs, even in your most complex application areas. **All products shown can be customized to meet your required sizes.**



## AN INTEGRATED APPROACH

Our integrated system consists of protective sign sleeves, TwistKlips™, and adjustable sign holders in a variety of sizes. Optimize visibility and improve your customer's shopping experience while keeping your service stations looking clean and uniform.

## AN INTEGRATED APPROACH

### REDUCED COSTS...

- by **lowering** replenishment purchase requirements – compatible parts are used across all departments
- by **improved** volume purchase pricing – consolidating part volumes
- by **minimizing** labor and re-set costs – easy to assemble and clean
- by part **simplification** – reduction in time spent sourcing the right parts in storeroom

### IMPROVED...

- **flexibility** and creativity – parts are easily adaptable for in-store tagging needs
- **customer experience** – clean, clear, consistent tagging at the shelf edge
- **brand consistency** – supports customer trust and sign messaging clarity

## APPLICATIONS

The kostklip® Deli Case Program is suitable for a variety of applications, including:

- Meat, Seafood, Deli, Bakery and Produce
- Refrigerated, low temp, hot case or ice bed applications
- Widely utilized in open air hot bar for bistros and bakery service cases
- Baskets, bowls or platters in produce center islands

## KOSTKLIP® DELI CASE PRODUCTS

- All parts are able to withstand environments that range from refrigerated, frozen, high heat, and/or moist conditions
- Can withstand Quaternary Ammonium Chloride based sanitizers mixed at 200ppm dilution ratio, and metal parts are rust resistant
- Are durable and easy to clean with materials that are food grade, and are easy to dry

## KOSTKLIP® KEY PRODUCTS CHARACTERISTICS

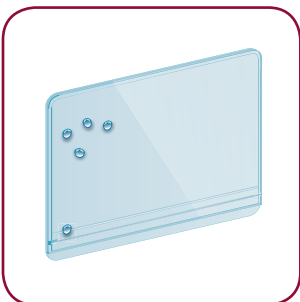
- Easy to clean
- Durable
- Interchangeable
- Scalable
- QAM safe
- Food Safe
- Heat Safe
- Cold Safe
- Moisture Safe
- PowerGrip® technology

# PROTECTIVE SIGN SLEEVES



Our integrated system starts off with **protective sign sleeves**. Create a clean looking display while extending the life of your paper signs. **Contact us for custom sizes** to the following suggested sign sleeves.

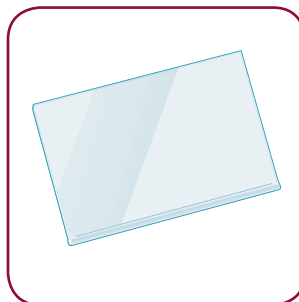
You can combine these with TwistKlips™, PowerGrip® sign holders, and any other sign holders you see in this brochure.



**Fluid Resistant Zip Pouch**  
**FRVP-107399**

- 3"W x 2.5"H
- Zip seal helps protect paper sign from moisture
- Clear, easy to clean vinyl material

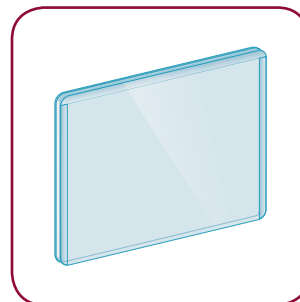
*\* More sizes available*



**One Fold Sign Sleeve**  
**260F-104921**

- 3.5"W x 2.5"H
- Fold is along the width
- Clear, 12-gauge PVC plastic

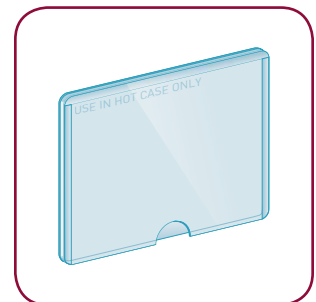
*\* More sizes available*



**Three Side Sealed Sign Protector**  
**SPRO-104545**

- 3.5"W x 2.5"H
- Opening is along the width
- Heavy duty plastic for extra strength and durability

*\* More sizes available*



**Hot Case Protective Sleeve**  
**SPRH-104729**

- 3.5"W x 2.5"H
- Opening is along the width
- Polycarbonate for high heat applications: 250°F surface and 180°F air temperatures
- Reverse side printed with "Use in Hot Case Only" instructions

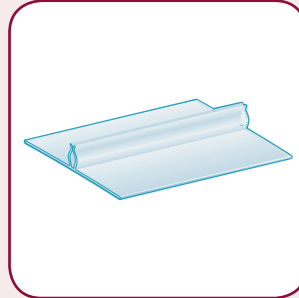


# SIGN HOLDER BASES

Combine T and L-Style Sign Holder Bases with 260F, SPRO, and SPRH sign sleeves to create an instant, free-standing sign.

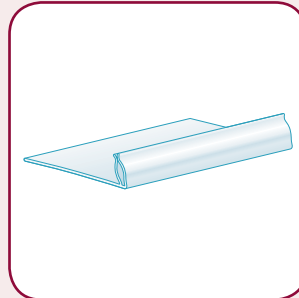


You can also use ClearVision® or ClearGrip™ ticket molding by inserting the back leg into the base.



## T-Style Sign Holder Base 50V2

- 2.75"W clear extruded PVC base
- Supports material up to 0.187" in thickness
- Use with SPRO or 260F sign sleeves

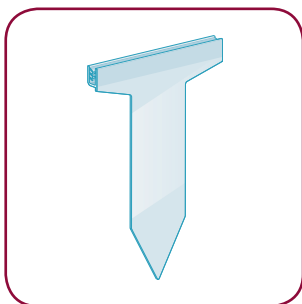


## L-Style, Angled Sign Holder Base 84LS

- 2.75"W clear extruded PVC base
- Supports material up to 0.187" in thickness
- Use with SPRO or 260F sign sleeves

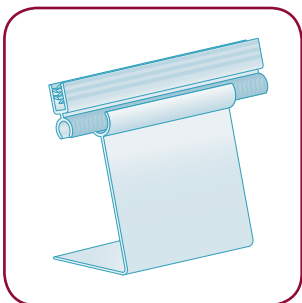
*\* Order 50V2 and 84LS in any custom length*

*\* Also available with foam or magnetic tape*



## Ice Spear Sign Holder 20SS-104912

- 5"H x 3.875"W
- Ice spear holds sign vertically
- Sleeve can be inserted with the opening at the bottom, allowing the PowerGrip® to help seal out moisture



## Adjustable Easel Sleeve Sign Holder EADJ-104917

- 3.5"W x 2"H
- Ratchet allows up to 90° of secure adjustment
- Removable PowerGrip® sign holder grips sleeves firmly in position

*\* Larger sizes available*



# HEALTHTALKERS™

ShelfTalkers™ are a great way to display your health messages! Use sign holders like **TwistKlips™** and simply clip in the back leg of the ShelfTalker™ along with your paper price label.

Kostklip® ShelfTalkers™ are colorful and reusable signs that are screen printed at the highest quality on PVC plastic. Contact us to create **custom** shapes, sizes and colors to fit your brand guidelines or campaign design.



**"Organic"**  
ShelfTalker™ Bib  
with Right Angle  
S107-107195



**"Organic"**  
ShelfTalker™ Bib  
S106-107129



**"Gluten Free"**  
ShelfTalker™ Bib  
with Right Angle  
S109-107196



**"Gluten Free"**  
ShelfTalker™ Bib  
S108-107130



**"Vegetarian"**  
ShelfTalker™ Bib  
with Right Angle  
S111-107197



**"Vegetarian"**  
ShelfTalker™ Bib  
S110-107131



**"Keto Friendly"**  
ShelfTalker™ Bib  
with Right Angle  
NS10-108672



**"Keto Friendly"**  
ShelfTalker™ Bib  
NS20-108678



**"Paleo"**  
ShelfTalker™ Bib  
with Right Angle  
NS12-108674



**"Paleo"**  
ShelfTalker™ Bib  
NS22-108680

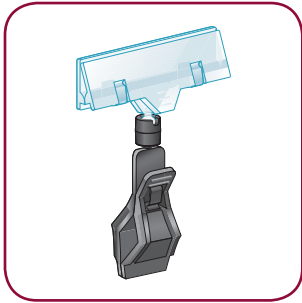


**"Vegan"**  
ShelfTalker™ Bib  
with Right Angle  
NS15-108677



**"Vegan"**  
ShelfTalker™ Bib  
NS25-108683

# TWISTKLIPS™ & CONTOUR BASES



## Display Clip with Large Clip

124E-107258

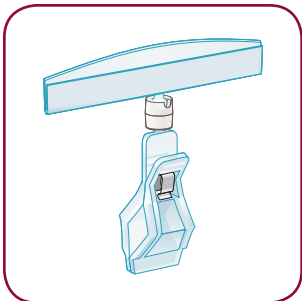
- 4" H
- Sign clip fastens to 4 gauge wire or material up to 0.187" thick and large sign clip fastens to material up to 1.0" thick

\* More colors available



TwistKlips™ are engineered with **ball and socket joints** to allow you to rotate and angle them into almost **any position** for maximum sign visibility.

The clips are made from durable, clear polycarbonate plastic. Completely **rust-proof** and perfect for **high moisture areas**.



## Sleeve Holder with Large Clip

124H-104811

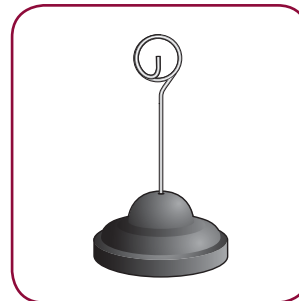
- 3.5"W x 4"H
- Holds sign from 0.01"-0.02" thick and clips over material up to 1.0" thick



## Sleeve Holder with Contour Base

SHWS-104814 (3"H)  
SHWS-104815 (6"H)

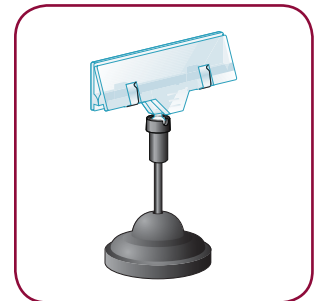
- 3.5"W sign holder
- Powder coated black zinc base
- Holds sign from 0.01"-0.02" thick



## Spiral Clip with Contour Base

535S-103655 (3"H)  
535S-103657 (6"H)

- Sandtex black powder coated metal base
- Stainless steel wire



## Large Sign Clip with Contour Base

125E-107289

- 3" H
- Sandtex black powder coated metal base
- Sign clip holds material up to 0.19" thick



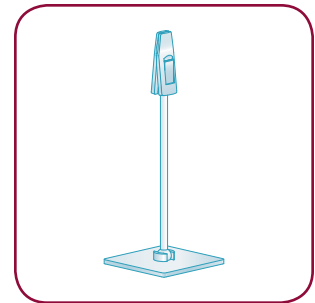
# TWISTKLIPS™



**TwistKlip™ Small Clip with Wedge Plate and Extension**  
**WSPC-108859**

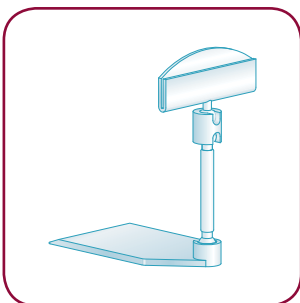
- 1"W x 6"H
- Universal joint swivels in almost any direction
- Small clip holds signs up to 0.375" thick

*\* More sizes available*



**TwistKlip™ Micro Clip with Flat Base and Short Extension**  
**AKFB-108860**

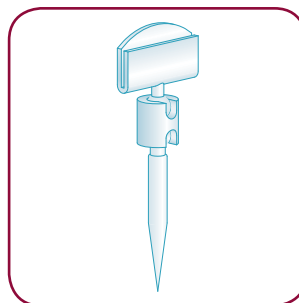
- 0.25"W x 3"H
- Freestanding sign holder
- Holds sign up to 0.060" thick



**TwistKlip™ Wide Card Holder with Wedge Plate and Extension**  
**WSCH-108856**

- 2"W x 3"H
- Card holder accepts materials from 0.008" to 0.02" thick

*\* More sizes available*



**TwistKlip™ Narrow Card Holder with Deli Pin**  
**DPSC-108861**

- 1"W x 3"H
- Universal joint swivels in almost any direction
- Card holder accepts materials from 0.008" to 0.02" thick





# SIGN HOLDERS



## Alliklip™ Stainless Steel Sign Holders

51S6

- 1" sphere, cube and cylinder base
- Constructed from stainless steel components for corrosion resistance
- Display signs in retail display cabinets or deli cases
- Can be used in humid environments



## Acrylic Ice Cube Sign Holder

SSH1-108985

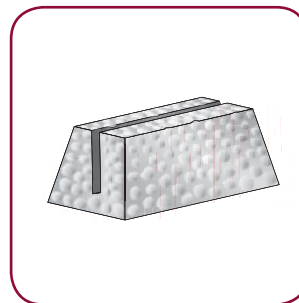
- Use to display signage in an ice chest
- Made from solid acrylic
- Holds signage at a 70° angle
- Holds material up to 0.09" thick



## River Stone Sign Holder

SSH2-108986

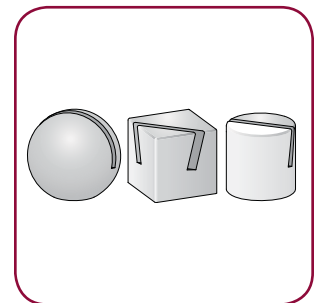
- Use in retail display cases, bakeries or restaurants for a rustic look
- Made from a stone resin



## Textured Finish, Trapezoidal Sign Holder

SSH3-108987

- Sleek sign holder for deli displays and countertops
- Textured finish



## Stainless Steel Sign Holders

51S7

- 1" sphere, cube and cylinder base
- Constructed from stainless steel components for corrosion resistance
- Can be used in humid environments

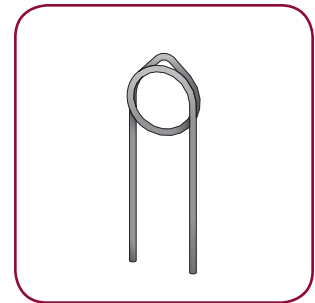
# SIGNS & SIGN HOLDERS



**Vinyl Base, Spiral Clip**  
VBSH-108998

- 1"H
- Vinyl coated base with stainless steel spiral clip
- Freestanding sign holder
- Weighted 1" diameter, vinyl coated base

*\* More colors available*



**Wire Deli Pin**  
WPCH-108753

- 2"H
- Made of premium tinned steel wire
- Displays signs on meat, fish, poultry and cheese
- USDA approved



**ChalkTalker™**  
**Deli Signs**  
WBCT-108944

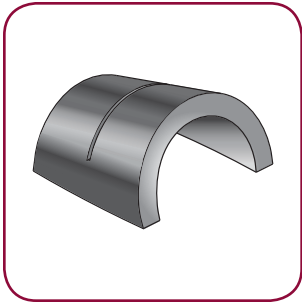
- Made from impact resistant, black PVC
- Printed with a woodgrain border

*\* More sizes available*





# HEAT RESISTANT SIGN HOLDERS



## Half Round Metal Sign Holder

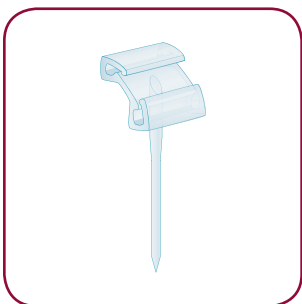
**CHRS-106790**

- 1.25"W x 0.9"H x 1.5"L
- Weighted metal design secures signs
- High gloss finish
- Heat resistant



Use the **SPRH Sign Sleeve** with the **Half Round Metal Sign Holder** for high temperature environments. This combination makes a for a sleek, low-profile, consistent look across the Deli Department.

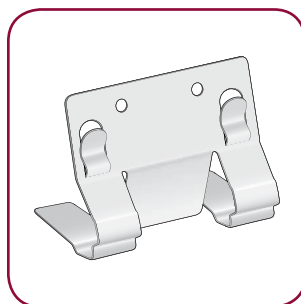
The **SPRH Hot Case Protective Sleeve** can withstand air temperatures of up to 180°F.



## Deli Pick

**DLPK-107020**

- 2"L
- Hang signs down or up
- Clear polycarbonate plastic
- Sticks into food products in deli area
- Heat resistant (up to 200°F surface and 180°F air temperatures)



## Hot Pan Clip

**CLPS-104812**

- 2.25"W
- Firmly clips pans and signs together
- Spring stainless steel material
- High gloss finish
- Heat resistant

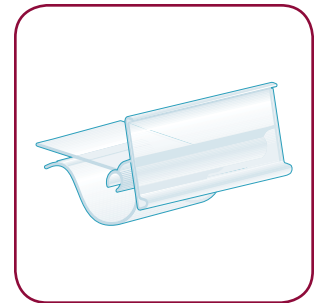




# SLEEVE-FREE SIGN HOLDERS

The **Adjustable Angle Large Clip Label Holder** can attach to materials up to 0.375" to 0.750" thick. Attach signage to deli bowls, platters, wood or glass shelving, wire fence or baskets, etc.

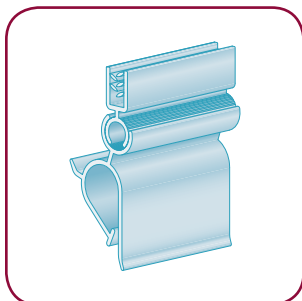
AALH rotates 90° and keeps signs facing customers.



## Adjustable Angle Large Clip Label Holder AALH-104212

- 2"W x 1.25"H
- Flexible window holds, displays, and protects plain paper tickets
- Clear PVC plastic
- Interlocking micro-ribs allow for 90° of secure adjustment
- Large clip grips 0.375" to 0.750" thick materials

*\* Larger sizes available*

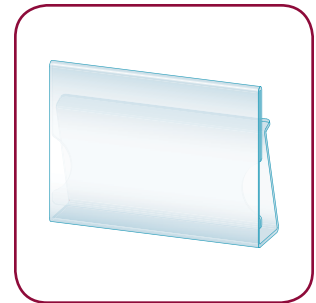


## Adjustable Angle, 0.100 – 0.375" Range with PowerGrip® Sign Holder ACSH-108994

- 1.5"L
- Adjustable angle, 0.100" to 0.375" range, with PowerGrip®
- Adjustable ratchet allows up to 90° of secure adjustment to keep signs facing customers

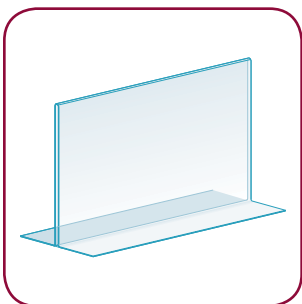


# SLEEVE-FREE SIGN HOLDERS



**Sneeze Guard  
Sign Holder  
SGSH-108988**

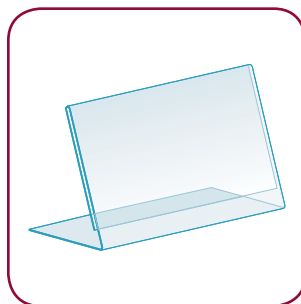
- 3.5"W x 2.5"H
- Made from acrylic for high durability, scratch resistance and clarity
- Thumb cut out allows easy sign removal
- For use on materials up to 0.625" thick



**T-Style, One Piece Sign  
Holder  
TLTS-105235**

- 3.5"W x 2.5"H
- Signs slide in from the top
- Clear, heat folded 0.06" PETG

*\* Larger sizes available*



**L-Style, Angled One  
Piece Sign Holder  
ESLS-105239**

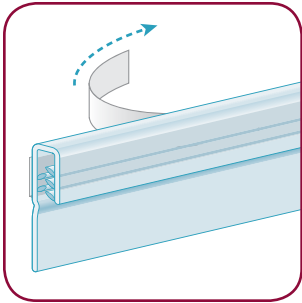
- 3.5"W x 2.5"H
- Signs slide in from the side
- Clear, heat folded 0.06" PETG

*\* Larger sizes available*





# GRIP SIGN HOLDERS



**Flush Mount Sign Grip**  
**169S-104156** (47.625" L)  
**169S-104154** (6" L)

- Can be applied to any flat surface
- PowerGrip® holds materials up to 0.06" thick
- Grip secures signs in flush position
- Clear PVC plastic

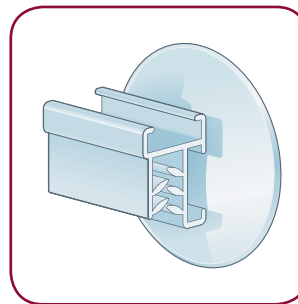
*\* Contact us for custom lengths*  
*\* Available with magnetic or foam tape*



The **Flush Mount Sign Grip** is great for displaying signs flush outside of glass cases. Simply insert your sign in the gripper anywhere along its length.

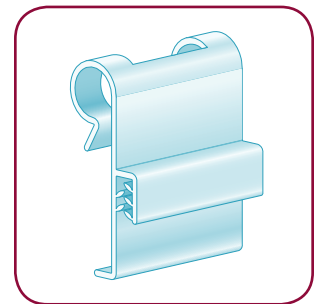
The **169S** is available to order in any **custom length** and with foam or magnetic tape.

Use the **Two-Position Suction Cup Sign Holder** on glass surfaces and even metal fixtures.



**Two-Position Suction Cup Sign Holder**  
**SCPG-103893**

- 1.75"W
- Holds material from 0.01" to 0.04" thick
- Removable PowerGrip® attachment allows signs to be displayed in flush or right angle position



**Double Loop Wire Fence & Basket Sign Holder**  
**94FG-101809**

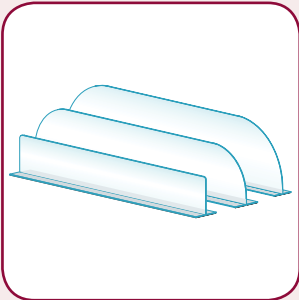
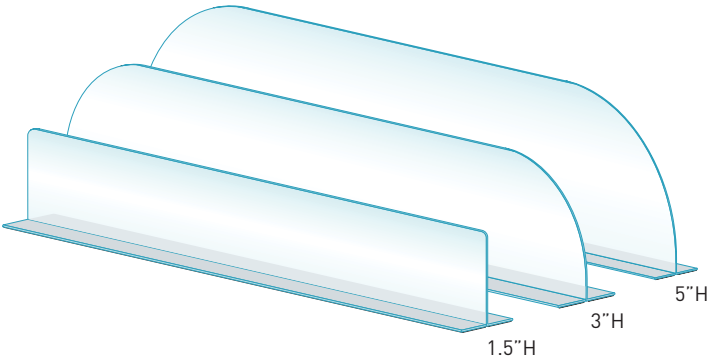
- 2"L
- Displays all sizes of signs in front of product
- Clear PVC plastic
- Clips securely onto wire fence and basket
- Fits up to 0.375" diameter wire



# SHELF DIVIDERS

Our SKU reducing, innovative, tear-away dividers allow for time-saving and convenient installation and optimal product allocation. Easily convert a T-divider into an L-divider to fill product right to the ends of the shelf.

Enhance your customer's experience by maintaining clean and organized shelves throughout the store. These dividers can be configured in a variety of sizes to meet your product facing and shelf depth requirements.



### 2-In-1 Magnetic Divider

- TLD1 (1.5"H)
- TLD3 (3"H)
- TLD5 (5"H)

- 12"L, 16"L and 22"L available
- Curved corners
- Clear PVC plastic
- Magnetic tape included

\* Contact us for custom lengths



## CONTACT US TODAY

Call us today to learn more about our Deli Case Program!



1.800.661.5547 | sales@kostklip.com | www.kostklip.com  
119-1611 Broadway St, Port Coquitlam BC V3C 2M7

Deli-Case-Program-Brochure\_032117 | Printed in Canada

# IT'S EASY TO ORDER

CHOOSE ONE OF THE FOLLOWING METHODS:



Call Toll-Free  
North America wide  
**1.800.661.5547**



Fax your purchase order to  
**1.877.468.0007**



Visit our website,  
log in & order online  
**www.kostklip.com**



Email your purchase order to  
**sales@kostklip.com**



Hours of Operation  
**7:00 am – 4:00 pm**  
**Pacific Time**

## FOLLOW US ON



@kostklip



@kostklip



@lifeattheshelfedge



kostklip®



kostklip®



kostklipShelfEdge