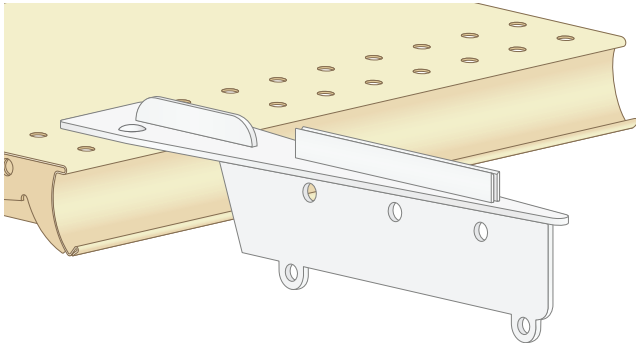


Multi-Use Coupon Pad Holder

holds merchandise strips, coupon holders & shelf talkers



Features

- Heavy duty, holds up to 10 lbs. when secured with pushpins
- Two hanging locations for merchandising strips
- Card holder for toppers, shelf talkers and call-outs
- Can be used with ClearVision® or ClearGrip™ ticket molding

Code	Description	Color	Pack
32MH-106206	1.75"W x 2"H x 9.85"L	AW	100
32MH-106205	1.75"W x 2"H x 9.85"L	BL	100

*Pushpins included



Secure with color matching pushpins (included).



Attach coupon pads to both sides using a double arrowhead pin.



Hang multiple merchandise strip. Shown with MSTH merchandise strip and VCFO viking clip.



Secure brochure holders with snap pins.



Use card holder to display shelf talkers, call-outs and toppers.



Put it all together in different combinations!



Toll-Free North America 1.800.661.5547

Kost Klip Manufacturing Ltd. | www.kostklip.com | sales@kostklip.com

32MH-Multi-Use-Coupon-Holder_061714 | Printed in Canada