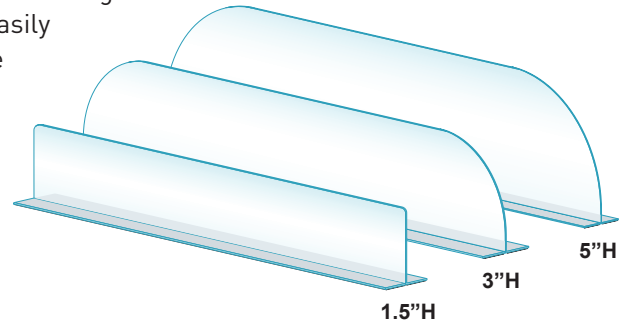


2-in-1 Magnetic Divider

t & l-style, economical shelf management system

Our SKU reducing, innovative, tear-away dividers allow for time-saving and convenient installment and optimal product allocation. Easily convert a T-divider into an L-divider to fill product right to the ends of the shelf.

Enhance your customer's experience by maintaining clean and organized shelves throughout the store. These dividers can be configured in a variety of sizes to meet your product facing and shelf depth requirements.



BEFORE



AFTER



Features

- Clear PVC material
- Curved corners for safe and easy product access
- Comes with strong magnetic tape
- Easy to install and re-locate dividers
- Two-in-one design allows for maximum flexibility, easily converts from a T-style to L-style in one product – *no tools required!*
- Bend the notch at the base back and forth to break off and convert to L-style

Code	Description	Color	Pack
TLD1-108376	1.5"H x 12"L	CL	25
TLD1-108377	1.5"H x 16"L	CL	25
TLD1-108378	1.5"H x 22"L	CL	25
TLD3-108373	3"H x 12"L	CL	25
TLD3-108374	3"H x 16"L	CL	25
TLD3-108375	3"H x 22"L	CL	25
TLD5-108370	5"H x 12"L	CL	25
TLD5-108371	5"H x 16"L	CL	25
TLD5-108372	5"H x 22"L	CL	25



Toll-Free North America 1.800.661.5547

Kost Klip Manufacturing Ltd. | www.kostklip.com | sales@kostklip.com

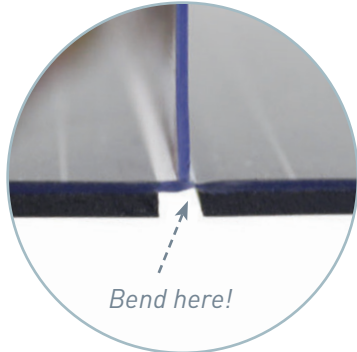
T-L-Style-Magnetic-Dividers-071618 | Printed in Canada

2-in-1 Magnetic Divider

easily convert T to L-style without the use of tools



Maximize shelf space and keep SKUs low by converting T-style divider to L-style.



Simply bend back and forth at the notch to split apart. **Only one side of the base detaches.**



Toll-Free North America 1.800.661.5547

Kost Klip Manufacturing Ltd. | www.kostklip.com | sales@kostklip.com

T-L-Style-Magnetic-Dividers-071618 | Printed in Canada