

# Therm-O-Flow<sup>®</sup> 200

334130V

EN

*For applying hot melt sealant and adhesive materials from 200 Liter (55 Gallon) drums. For professional use only.*

**Not approved for use in European explosive atmosphere locations.**

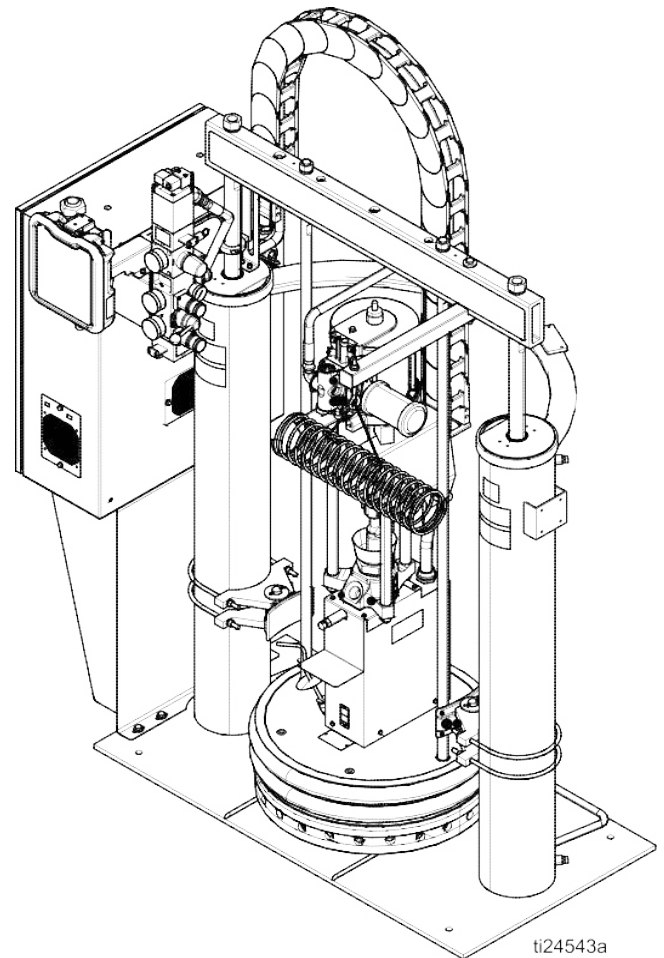


## Important Safety Instructions

Read all warnings and instructions in this manual and in related manuals. Save these instructions.

*Maximum Operating Temperature 400°F (204°C)  
See page 7 for model information.*

*See **Technical Specifications**, page 115, for maximum working pressures.*



Intertek

3143485

Certified to

CSA STD C22.2 No. 88

Conforms to

UL STD 499

PROVEN QUALITY. LEADING TECHNOLOGY.

# Contents

<b>Related Manuals</b> .....	<b>3</b>	<b>Repair</b> .....	<b>48</b>
<b>Warnings</b> .....	<b>4</b>	Replace Wipers .....	48
<b>Models</b> .....	<b>7</b>	Replace Platen RTD .....	48
<b>Component Identification</b> .....	<b>8</b>	Separate the Air Motor and Pump .....	49
Integrated Air Controls .....	9	Remove Platen .....	52
Electrical Control Enclosure .....	10	Replace Heater Band and Pump RTD .....	52
Advanced Display Module (ADM) .....	11	Replace MZLP Fuse .....	53
Screen Components .....	13	Replace MZLP .....	54
<b>Overview</b> .....	<b>14</b>	Replace MZLP Daughter Card .....	55
Air and Fluid Hoses .....	14	Replace AWB .....	56
Heat Control Zone .....	14	Replace Power Supply .....	56
<b>Setup</b> .....	<b>15</b>	Replace Fan .....	57
Unpack .....	15	Replace Transformer .....	58
Location Requirements .....	15	Update Software .....	60
Install System .....	15	<b>Electrical Schematics</b> .....	<b>61</b>
Install Hydraulic Power Supply .....	15	230V, 3 Phase/60Hz .....	61
Mechanical Setup .....	16	400V, 3 Phase/50Hz .....	62
Install Heated Hose .....	17	400-600VV, 3 Phase/60Hz .....	63
Connect Multiple Devices .....	18	AWB and MZLP#1 .....	64
Connect Power .....	19	MZLP#2, MZLP#3, Overtemp, and Pump Heaters	
Grounding .....	20	.....	65
Connect Secondary System .....	20	MZLP Zones .....	66
Check Sensor Resistance .....	21	<b>Parts</b> .....	<b>67</b>
Check Heater Resistance .....	22	Therm-O-Flow 200 Supply Unit .....	68
Select ADM Settings .....	23	Therm-O-Flow 200 Supply Unit .....	69
Connect PLC (Hard Wired Interface Version) ..	25	Air Control Assembly .....	70
<b>Operation</b> .....	<b>28</b>	Electrical Module .....	71
Purge System .....	28	Electrical Control Module Parts .....	73
Load Material .....	29	Electrical Panel .....	75
Heat Up System .....	30	230V .....	75
Prime Pump .....	31	400V .....	75
Prime System .....	33	Transformer .....	75
Setback Mode .....	33	Electrical Panel Parts .....	77
Pressure Relief Procedure .....	34	Merkur 2200, 23:1 Pump Modules .....	78
Stop Controls .....	35	Merkur 2200, 23:1 Pump Modules .....	79
Shutdown .....	36	Merkur 3400, 36:1 Pump Modules .....	80
Schedule .....	36	Merkur 3400, 36:1 Pump Modules .....	81
Change Drums .....	37	NXT 6500, 70:1 Pump Modules .....	82
<b>Troubleshooting</b> .....	<b>39</b>	NXT 6500, 70:1 Pump Modules .....	83
Light Tower (Optional) .....	39	24V619, Pump Shield .....	84
Error Codes .....	40	Heated Platens .....	85
Ram Troubleshooting .....	46	24V633, Heated Drum Platen, Mega-Flo (Code	
Heated Pump Troubleshooting .....	47	E-option M) .....	85
Air Motor Troubleshooting .....	47	24V634, Heated Drum Platen, Standard Grid (Code	
		E-option F) .....	85

24V635, Heated Drum Platen, Smooth Bottom (no fin) (Code E- option S) . . . . . 85

Heated Platens . . . . . 86

24V633, Heated Drum Platen, Mega-Flo (Code E-option M) . . . . . 86

24V634, Heated Drum Platen, Standard Grid (Code E-option F) . . . . . 86

24V635, Heated Drum Platen, Smooth Bottom (no fin) (Code E- option S) . . . . . 86

. . . . . 87

Drum Ram Post Saddle Clamp . . . . . 88

C32463 . . . . . 88

Option H-1 . . . . . 88

Drum Ram Post Saddle Clamp . . . . . 89

918395 . . . . . 89

Option H-3 . . . . . 89

Fiber Drum Reinforcement Shell Clamp . . . . . 90

918397 . . . . . 90

Option H-2 . . . . . 90

Vent Hood Kit, 233559 . . . . . 91

**Accessories and Kits . . . . . 92**

Wiper Kits . . . . . 92

Applicators and Dispense Valves . . . . . 92

CGM Installation Kit, 25C994 . . . . . 92

Flow Control and Manifolds . . . . . 92

Accessory Extension Cables . . . . . 93

Light Tower Kit, 24W589 . . . . . 93

Heated Hoses and Fittings . . . . . 94

8 Channel Upgrade Kit, 24V755 . . . . . 96

8 Zone Upgrade Kit Installation . . . . . 97

12 Channel Upgrade Kit, 24V756 . . . . . 99

12 Zone Upgrade Kit Installation . . . . . 100

**Appendix A - ADM . . . . . 101**

General Operation . . . . . 101

ADM Power . . . . . 101

Screen Navigation . . . . . 101

Enable, Disable Heating System . . . . . 101

Icons . . . . . 102

Operation Screens . . . . . 103

Setup Screens . . . . . 105

**Appendix B - USB Data . . . . . 110**

Download . . . . . 110

Access Files . . . . . 110

Upload . . . . . 110

USB Logs . . . . . 111

System Settings File . . . . . 111

System Language File . . . . . 112

Create Custom Language Strings . . . . . 112

**Dimensions . . . . . 113**

Ram Mounting and Clearance . . . . . 113

**Technical Specifications . . . . . 115**

**California Proposition 65 . . . . . 115**









**Graco Standard Warranty . . . . . 116**

## Related Manuals




Manual	Description
334129	Therm-O-Flow 20, Instructions-Parts
3A5186	Communications Gateway Module Therm-O-Flow
<b>Air Motor Manuals</b>	
311238	NXT® Air Motor, Instructions-Parts
3A1211	Saniforce® Air Motor, Instructions-Parts
<b>Displacement Pump Manual</b>	
334127	Check-Mate® 800 Pump, Repair-Parts
334128	Check-Mate® 800 Throat Seal Repair Kit, Repair-Parts
<b>Ram Manual</b>	
334198	Therm-O-Flow 200 Pneumatic and Hydraulic Ram, Instructions-Parts
<b>Accessory and Kit Manuals</b>	
3A4241	Heated Hose, Instructions-Parts
309160	Heated Hose, Instructions-Parts
309196	Wiper Kits, Repair-Parts
310538	Air-Operated Dispense Valves, Instruc- tions-Parts
311209	Top Feed and Bottom Feed Hot Melt Dis- pense Guns, Instructions-Parts
334201	Air Controls, Repair Kit

# Warnings




The following warnings are for the setup, use, grounding, maintenance, and repair of this equipment. The exclamation point symbol alerts you to a general warning and the hazard symbols refer to procedure-specific risks. When these symbols appear in the body of this manual or on warning labels, refer back to these Warnings. Product-specific hazard symbols and warnings not covered in this section may appear throughout the body of this manual where applicable.

 <h2 style="margin: 0;">WARNING</h2>	
	<p><b>BURN HAZARD</b></p> <p>Equipment surfaces and fluid that is heated can become very hot during operation. To avoid severe burns:</p> <ul style="list-style-type: none"> <li>Do not touch hot fluid or equipment.</li> </ul>
	<p><b>SPLATTER HAZARD</b></p> <p>Hot or toxic fluid can cause serious injury if splashed in the eyes or on skin. During blow off of platen, splatter may occur.</p> <ul style="list-style-type: none"> <li>Use minimum air pressure when removing platen from drum.</li> </ul>
  <p style="font-size: small; text-align: center;">MPa / bar / PSI</p>	<p><b>MOVING PARTS HAZARD</b></p> <p>Moving parts can pinch, cut or amputate fingers and other body parts.</p> <ul style="list-style-type: none"> <li>Keep clear of moving parts.</li> <li>Do not operate equipment with protective guards or covers removed.</li> <li>Pressurized equipment can start without warning. Before checking, moving, or servicing equipment, follow the <b>Pressure Relief Procedure</b> and disconnect all power sources.</li> </ul>
 	<p><b>ELECTRIC SHOCK HAZARD</b></p> <p>This equipment must be grounded. Improper grounding, setup, or usage of the system can cause electric shock.</p> <ul style="list-style-type: none"> <li>Turn off and disconnect power at main switch before disconnecting any cables and before servicing or installing equipment.</li> <li>Connect only to grounded power source.</li> <li>All electrical wiring must be done by a qualified electrician and comply with all local codes and regulations.</li> </ul>
	<p><b>TOXIC FLUID OR FUMES HAZARD</b></p> <p>Toxic fluids or fumes can cause serious injury or death if splashed in the eyes or on skin, inhaled, or swallowed.</p> <ul style="list-style-type: none"> <li>Read MSDSs to know the specific hazards of the fluids you are using.</li> <li>Store hazardous fluid in approved containers, and dispose of it according to applicable guidelines.</li> </ul>

# ! WARNING

	<p><b>THERMAL EXPANSION HAZARD</b></p> <p>Fluids subjected to heat in confined spaces including hoses can create an additional pressure due to the thermal expansion. Over-pressurization can result in equipment rupture and serious injury.</p> <ul style="list-style-type: none"> <li>• Open a valve to relieve the fluid expansion during heating.</li> <li>• Replace hoses proactively at regular intervals based on your operating conditions.</li> </ul>
	<p><b>SKIN INJECTION HAZARD</b></p> <p>High-pressure fluid from dispensing device, hose leaks, or ruptured components will pierce skin. This may look like just a cut, but it is a serious injury that can result in amputation. <b>Get immediate surgical treatment.</b></p> <ul style="list-style-type: none"> <li>• Engage trigger lock when not dispensing.</li> <li>• Do not point dispensing device at anyone or at any part of the body.</li> <li>• Do not put your hand over the fluid outlet.</li> <li>• Do not stop or deflect leaks with your hand, body, glove, or rag.</li> <li>• Follow the <b>Pressure Relief Procedure</b> when you stop dispensing and before cleaning, checking, or servicing equipment.</li> <li>• Tighten all fluid connections before operating the equipment.</li> <li>• Check hoses and couplings daily. Replace worn or damaged parts immediately.</li> </ul>
	<p><b>FIRE AND EXPLOSION HAZARD</b></p> <p>Flammable fumes, such as solvent and paint fumes, in work area can ignite or explode. To help prevent fire and explosion:</p> <ul style="list-style-type: none"> <li>• Use equipment only in well ventilated area.</li> <li>• Eliminate all ignition sources; such as pilot lights, cigarettes, portable electric lamps, and plastic drop cloths (potential static arc).</li> <li>• Keep work area free of debris, including solvent, rags and gasoline.</li> <li>• Do not plug or unplug power cords, or turn power or light switches on or off when flammable fumes are present.</li> <li>• Ground all equipment in the work area. See <b>Grounding</b> instructions.</li> <li>• Use only grounded hoses.</li> <li>• Hold gun firmly to side of grounded pail when triggering into pail. Do not use pail liners unless they are antistatic or conductive.</li> <li>• Stop operation immediately if static sparking occurs or you feel a shock. Do not use equipment until you identify and correct the problem.</li> <li>• Keep a working fire extinguisher in the work area.</li> </ul>

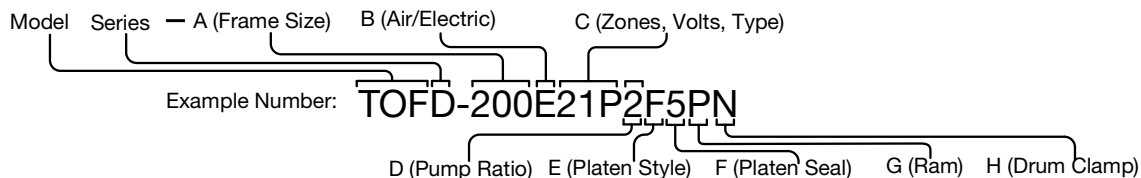
# ⚠️ WARNING

 	<p><b>EQUIPMENT MISUSE HAZARD</b></p> <p>Misuse can cause death or serious injury.</p> <ul style="list-style-type: none"> <li>• Do not operate the unit when fatigued or under the influence of drugs or alcohol.</li> <li>• Do not exceed the maximum working pressure or temperature rating of the lowest rated system component. See <b>Technical Data</b> in all equipment manuals.</li> <li>• Use fluids and solvents that are compatible with equipment wetted parts. See Technical Data in all equipment manuals. Read fluid and solvent manufacturer’s warnings. For complete information about your material, request MSDS from distributor or retailer.</li> <li>• Do not leave the work area while equipment is energized or under pressure.</li> <li>• Turn off all equipment and follow the <b>Pressure Relief Procedure</b> when equipment is not in use.</li> <li>• Check equipment daily. Repair or replace worn or damaged parts immediately with genuine manufacturer’s replacement parts only.</li> <li>• Do not alter or modify equipment. Alterations or modifications may void agency approvals and create safety hazards.</li> <li>• Make sure all equipment is rated and approved for the environment in which you are using it.</li> <li>• Use equipment only for its intended purpose. Call your distributor for information.</li> <li>• Route hoses and cables away from traffic areas, sharp edges, moving parts, and hot surfaces.</li> <li>• Do not kink or over bend hoses or use hoses to pull equipment.</li> <li>• Keep children and animals away from work area.</li> <li>• Comply with all applicable safety regulations.</li> </ul>
	<p><b>PERSONAL PROTECTIVE EQUIPMENT</b></p> <p>Wear appropriate protective equipment when in the work area to help prevent serious injury, including eye injury, hearing loss, inhalation of toxic fumes, and burns. This protective equipment includes but is not limited to:</p> <ul style="list-style-type: none"> <li>• Protective eyewear, and hearing protection.</li> <li>• Respirators, protective clothing, and gloves as recommended by the fluid and solvent manufacturer.</li> </ul>

# Models

The system ID label containing the model number can be found on the side of the control panel. See FIG. 1 page 8.

The model number stamped on your system ID label defines the equipment in the following categories:

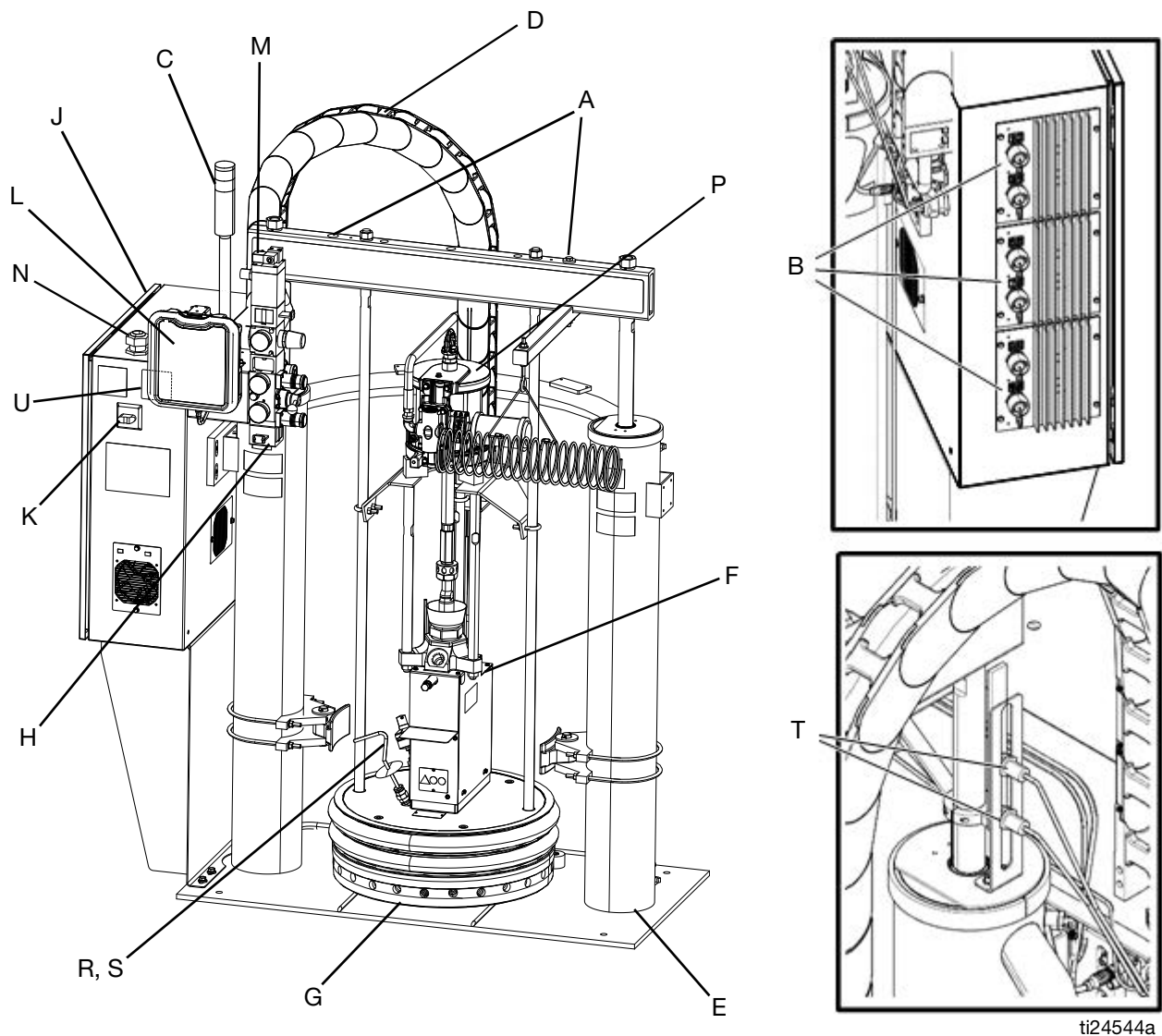


Code A	Frame Size
200	55 Gallon (200 Liter)
Code B	Air/Electric
A	Air control only
E	Air and Electric
Code C	Zones, Volts, Type
11P	4 Zones, 230 V, Primary
11S	4 Zones, 230 V, Secondary
12P	4 Zones, 400 V/N, Primary
12S	4 Zones, 400 V/N, Secondary
13P	4 Zones, 400 V, Primary
13S	4 Zones, 400 V, Secondary
14P	4 Zones, 480 V, Primary
14S	4 Zones, 480 V, Secondary
15P	4 Zones, 600 V, Primary
15S	4 Zones, 600 V, Secondary
21P	8 Zones, 230 V, Primary
21S	8 Zones, 230 V, Secondary
22P	8 Zones, 400 V/N, Primary
22S	8 Zones, 400 V/N, Secondary
23P	8 Zones, 400 V, Primary
23S	8 Zones, 400 V, Secondary
24P	8 Zones, 480 V, Primary
24S	8 Zones, 480 V, Secondary
25P	8 Zones, 600 V, Primary
25S	8 Zones, 600 V, Secondary
31P	12 Zones, 230 V, Primary
31S	12 Zones, 230 V, Secondary
32P	12 Zones, 400 V/N, Primary
32S	12 Zones, 400 V/N, Secondary
33P	12 Zones, 400 V, Primary
33S	12 Zones, 400 V, Secondary
34P	12 Zones, 480 V, Primary
34S	12 Zones, 480 V, Secondary
35P	12 Zones, 600 V, Primary
35S	12 Zones, 600 V, Secondary

NNN	None
Code D	Pump Ratio
1	23:1 CF (carbon filled PTFE)
2	36:1
3	70:1
4	23:1 (glass filled PTFE)
5	36:1
6	70:1
Code E	Platen Style
S	Smooth Bottom (No Fin)
F	Standard Finned Bottom
M	Mega-Flo
Code F	Platen Seal
1	2 Black EPDM/EPDM, SS wire braid 400°F (204°C) hose wipers with spring retention
2	1 lower black EPDM/Chlorobutyl, SS wire braid 400°F (204°C) hose wiper and 1 upper Green Silicone, fiberglass braid 400°F (204°C), hose wiper
3	2 White Silicone 250°F (121°C) T-Wipers
4	1 lower black EPDM/Chlorobutyl, SS wire braid 375°F (190°C) hose wiper and 1 upper White Silicone 375°F (190°C), T-wiper
5	2 Orange silicone o-ring 400°F (204°C)
6	2 Green silicone fiberglass braid 400°F (204°C) hose wiper
Code G	Ram
P	Pneumatic
H	Hydraulic
Code H	Drum Clamps
N	None
1	Saddle Clamp
2	Fiber Clam Shell
3	Heavy Drum Band

See **Technical Specifications**, page 115, for maximum working pressure.

# Component Identification



ti24544a

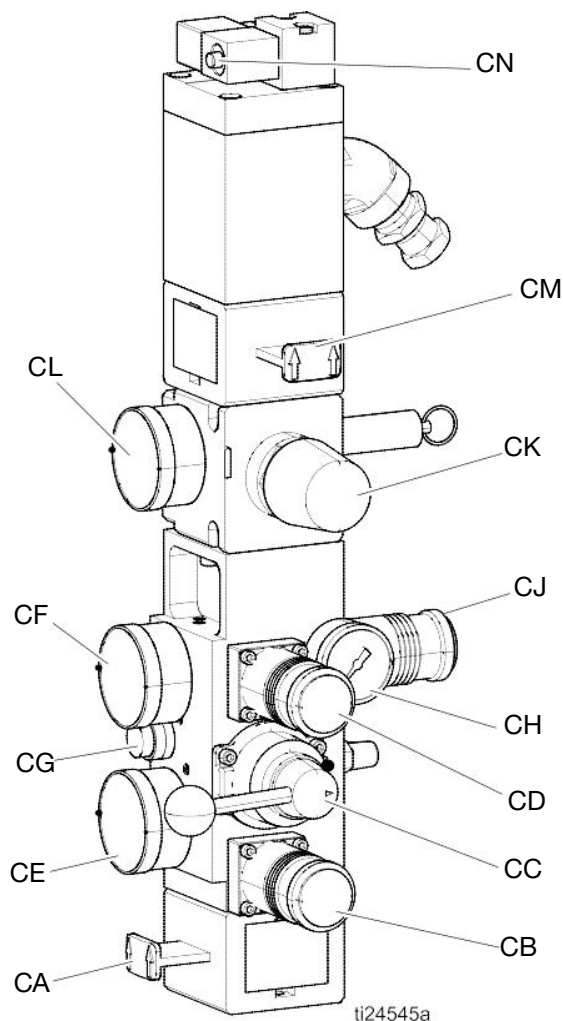
**Fig. 1: TOF 200 Pneumatic**

**Key:**

- |   |  |   |  |
|---|--|---|--|
| A | Lift Strap Positions                                   | K | Main Power Switch (can be locked in the open position) |
| B | Multi-Zone Low Power Temperature Control Module (MZLP) | L | ADM  |
| C | Light Tower  | M | Air Motor Solenoid                                     |
| D | Cable Track  | N | Electrical Power Input                                 |
| E | Ram  | P | Air Motor  |
| F | Heated Pump  | R | Ram Plate Bleed Stick                                  |
| G | Heated Platen  | S | Drum Blow Off Valve (behind ram plate bleed stick)     |
| H | Integrated Air Controls (3/4 in npt inlet)             | T | Drum Low and Empty Sensors                             |
| J | Electrical Control Panel                               | U | System ID and Service Labels                           |



## Integrated Air Controls



**FIG. 2: Integrated Air Controls**

**Key:**

**CA Main Air Slider Valve**

Turns air on and off to the entire system. When closed, the valve relieves pressure downstream. Can be locked in the closed position.

**CB Ram Down Air Regulator**

Controls the ram down pressure.

**CC Ram Director Valve**

Controls the ram direction.

**CD Ram Up Air Regulator**

Controls the ram up pressure.

**CE Ram Down Air Gauge**

Displays the ram down pressure.

**CF Ram Up Air Gauge**

Displays the ram up pressure.

**CG Blowoff Button**

Turns air on and off to push the platen out of an empty drum.

**CH Blowoff Pressure Gauge**

Displays the blowoff pressure.

**CJ Blowoff Air Regulator**

Controls platen blowoff pressure.

**CK Air Motor Air Regulator**

Controls the air pressure to the motor.

**CL Air Motor Pressure Gauge**

Displays the air pressure to the motor.

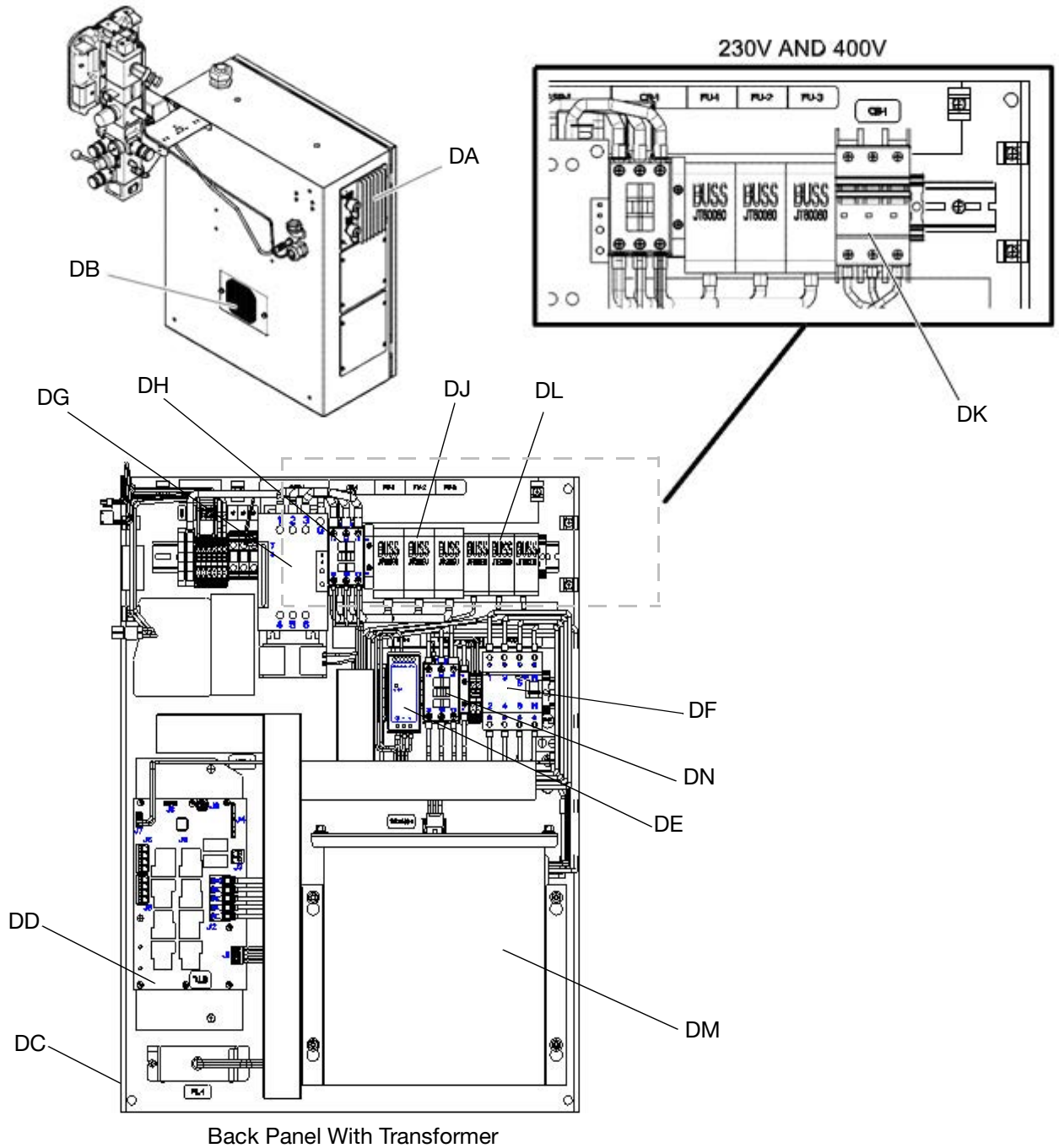
**CM Air Motor Slider Valve**

Turns air on and off to the air motor. When closed, the valve relieves air trapped between it and the motor. Push the valve in to shut off air. Can be locked in the closed position.

**CN Air Motor Solenoid Valve**

Turns air on and off to the air motor when system stopped on the ADM. When closed, the valve relieves air trapped between it and the motor.

# Electrical Control Enclosure



**FIG. 3: Electrical Enclosure**

**Key:**

- DA Multi-Zone Low Power Temperature Control Module (MZLP)
- DB Ventilation Grill
- DC Electrical Control Panel
- DD Automatic Wiring Board (AWB)
- DE Power Supply (24V)
- DF Residual Current Device (GFI), 63A

- DG Platen SSR (65A)
- DH Platen Contractor
- DJ Platen Fuse
- DK Transformer Circuit Breaker
- DL Transformer Fuse
- DM Transformer
- DN System Contactor

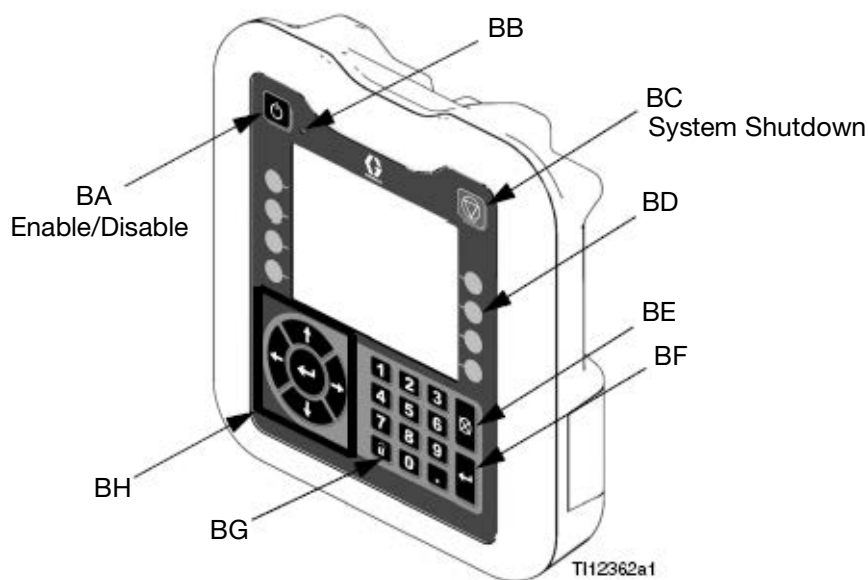
## Advanced Display Module (ADM)

The ADM display shows graphical and text information related to setup and spray operations. For detail on the display and individual screens, see **Appendix A - ADM**, page 101.

Use the USB port on the ADM to download or upload data. For more information about the USB data, see **Appendix B - USB Data**, page 110.

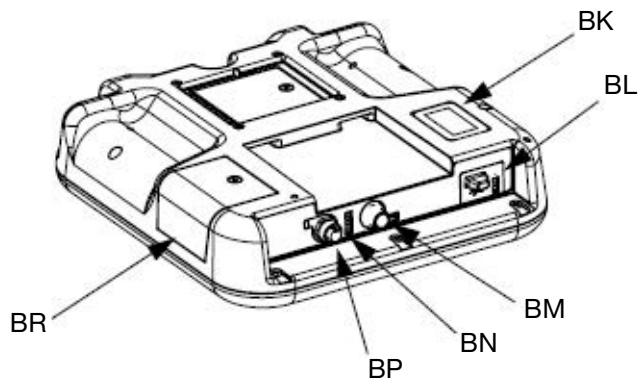
### NOTICE

To prevent damage to the softkey buttons, do not press buttons with sharp objects such as pens, plastic cards, or fingernails.



**FIG. 4: Front View**


Key	Function
BA	Heating system and Pump Enable/Disable
BB	System status indicator (LED)
BC	Stop all system processes
BD	Defined by icon next to softkey
BE	Abort current operation
BF	Accept change, acknowledge error, select item, toggle selected item
BG	Toggle between Operation and Setup screens
BH	Navigate within a screen or to a new screen



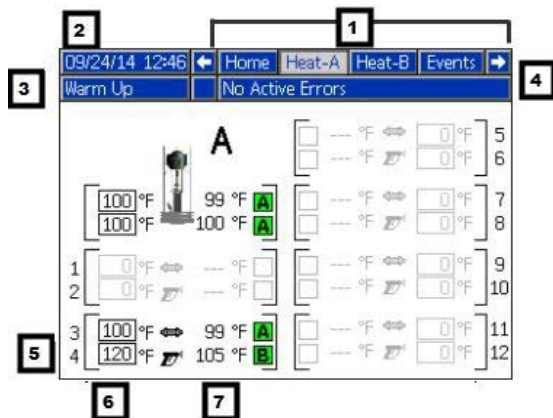
**FIG. 5: Back View**

BK	Part Number and Identification Label
BL	USB Interface
BM	CAN Cable Connection (Power Supply and Communication)
BN	Module Status LEDs
BP	Light Tower (Optional)
BR	Software Token Access Panel

**Table 1 ADM LED Status Descriptions**

LED	Conditions	Description
<b>System Status</b> 	Green Solid	Run Mode, System On
	Green Flashing	Setup Mode, System On
	Yellow Solid	Run Mode, System Off
<b>USB Status (BL)</b>	Green Flashing	Data recording in progress
	Yellow Solid	Downloading information to USB
	Green and Yellow Flashing	ADM is busy, USB cannot transfer information when in this mode
<b>ADM Status (BN)</b>	Green Solid	Power applied to module
	Yellow Solid	Active Communication
	Red Steady Flashing	Software upload from token in progress
	Red Random Flashing or Solid	Module error exists

## Screen Components



1. Screen Order
2. Current date and time
3. Operating Mode
4. Faults, Status
5. MZLP Plug Identifier
6. Zone Setpoint Temperature
7. Zone Actual Temperature

Operating Mode	Description	Component Status
System Off	The system does not have power.	<ul style="list-style-type: none"> <li>• No system status indicator LED on the ADM</li> <li>• No heat</li> <li>• Pump is off</li> </ul>
Inactive	The heating system and pumps are disabled.	<ul style="list-style-type: none"> <li>• Yellow system indicator LED on the ADM</li> <li>• No heat</li> <li>• Pump is off</li> </ul>
Warm Up	The system is heating the material to the setpoint temperature.	<ul style="list-style-type: none"> <li>• Flashing green system status indicator LED on the ADM</li> <li>• Heat is increasing to setpoint temperature</li> <li>• Pump is off</li> </ul>
Heat Soak	Heat zones are all at temperature. Material is soaking for a user specified amount of time.	<ul style="list-style-type: none"> <li>• Flashing green system status indicator LED on the ADM</li> <li>• Heat is at setpoint</li> <li>• Material is absorbing more heat</li> <li>• Pump is off</li> <li>• Heat soak counter counts down on the Home screen.</li> </ul>
Ready	All enabled zones are at setpoint temperature. The Air Motor does not have power.	<ul style="list-style-type: none"> <li>• Flashing green system status indicator LED on the ADM</li> <li>• Heat is at setpoint</li> <li>• Pump is off</li> </ul>
Active	The system is ready to dispense.	<ul style="list-style-type: none"> <li>• Solid green system status indicator LED on the ADM</li> <li>• Heat is at setpoint temperature</li> <li>• Pump is on</li> </ul>

# Overview

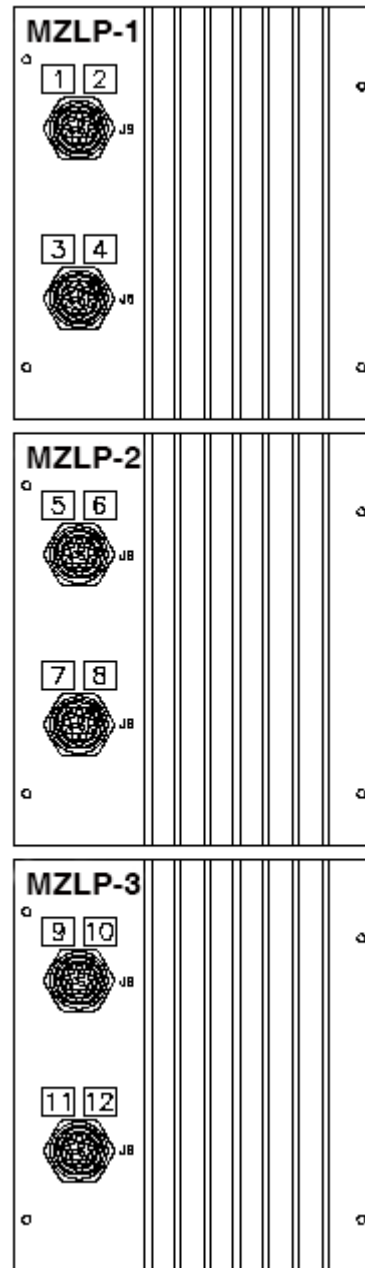
A Heated Platen melts the sealant or adhesive and directs the molten material to the Pump inlet. The material then travels through a Heated Pump and heated fluid moves to the application tool.

## Air and Fluid Hoses

The Therm-O-Flow requires Graco single-circuit material hoses rated at a maximum of 1250 watts. Make sure all air and fluid hoses are properly sized for the system.

## Heat Control Zone

The Therm-O-Flow has 4, 8, or 12 heat zones. Zones for the Heated Drum Platen and the Heated Pump are not included in the zone count. Zones 1 and 2, 3 and 4, 5 and 6, 7 and 8, 9 and 10, and 11 and 12 are each available through 12-pin connectors. The heated hoses have a 16-pin connector at the inlet, and an 8-pin connector at the outlet. All heated valves, manifolds, and heaters are equipped with an 8-pin mating connector.



**FIG. 6: Heat Control Zone Selection**

## Setup

1. Unpack the Ram
2. Locate and Install the Ram
3. Mechanical Setup
4. Connect hoses to Electrical Control Panel
5. Connect Electrical Control Panel to power source
6. Ground system
7. Select ADM settings

## Unpack

1. Inspect the shipping box carefully for damage. Contact the carrier promptly if there is damage.
2. Open the box and inspect the contents carefully. There should not be any loose or damaged parts in the box.
3. Compare the packing slip against all items in the box. Repost any shortages or other inspection problems immediately.
4. Remove the unit from the skid and place it in the desired location. See **Location Requirements**.

## Location Requirements

1. Make sure there is sufficient overhead clearance for the Heated Pump and Ram when the Ram is in the fully raised position (approximately 110 in. (280 cm)).
2. If you are installing a vent hood, make sure there is sufficient horizontal clearance for it. Locate the Ram near a connection to the factory ventilation system.
3. Make sure the air regulators for the Heated Pump and Ram are fully accessible, with room to stand

directly in front of the Pneumatic Control Panel and the Electrical Control Panel.

4. When locating the system, do not install closer than 36 in. (914 mm) to vertical surfaces.
5. Make sure there is easy access to an appropriate electrical power source. The National Electrical Code requires 3 ft (0.9 m) of open space in front of the electrical panel. Comply with all local codes and regulations.
6. For hydraulic rams, locate the hydraulic power supply in an area that has:
  - easy access for servicing and adjusting the hydraulic pressure on the supply unit
  - sufficient clearance for the hydraulic lines that attach to the Pump
  - easy access to read the hydraulic fluid level gauge

## Install System

Refer to **Dimensions**, page 113 for mounting and clearance dimensions.

Follow all **Location Requirements**, page 15, when selecting a location for the Ram.

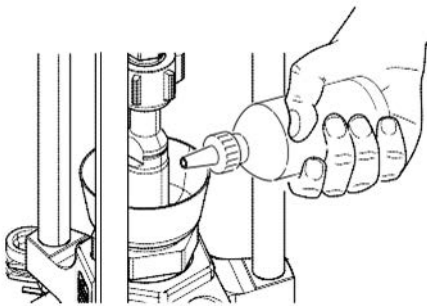
1. Apply 50 psi download pressure to Ram.
2. Wrap the bar with the lifting sling.
3. Lift the system off the pallet using a crane or a forklift and place in desired location.
4. Level the base of the Ram, using metal shims.
5. Bolt the Ram to the floor, using anchors that are long enough to prevent the unit from tipping.

## Install Hydraulic Power Supply

## Mechanical Setup

1. Fill displacement Pump wet cup 2/3 full with Graco Throat Seal Liquid (TSL™) for Butyl and PSA materials.

**NOTE:** Use IsoGuard Select® (IGS) (part no. 24F516) for PUR or reactive Polyurethane material. IGS is designed to dissolve and suspend the Polyurethane materials. IGS will solidify after a period of time and should be replaced once the solidified lube does not return to liquid form after heating.

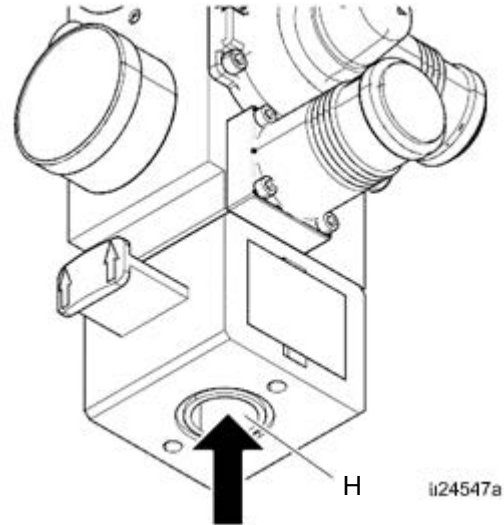


ti24554a

**FIG. 7: Wetcup**

2. Turn all air regulators to their full counterclockwise position. See **Integrated Air Controls**, page 9.
3. Connect a 1/2 in. (13 mm) air line from an air source to the system air inlet (H), capable of delivering a

minimum of 25-50 cfm at 100 psi (0.7 MPa, 7.0 bar). **Do not use quick disconnects.**

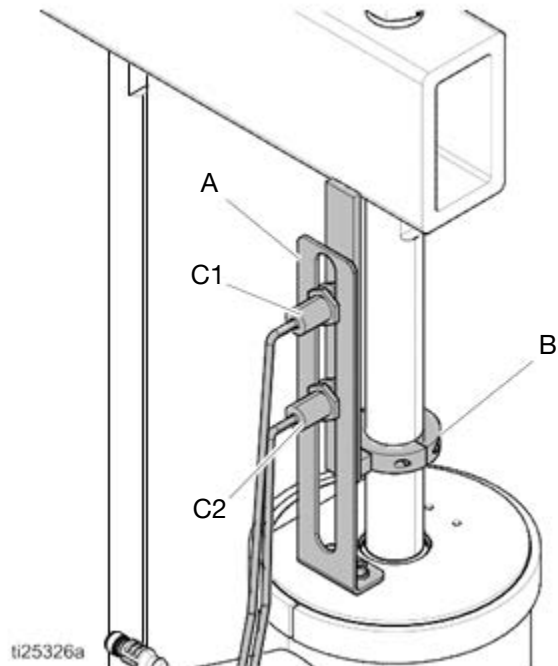


ti24547a

**FIG. 8: Air Connection**

4. Ensure Drum Low and Empty Sensors (C) are mounted as shown.

**NOTE:** The Drum Low and Empty Sensors are used to indicate that a drum is empty. The kit contains a sensor mounting bracket (A), activator (B), sensors (C1, C2), and a cable for connecting the panel inside the Electrical Enclosure.



ti25326a

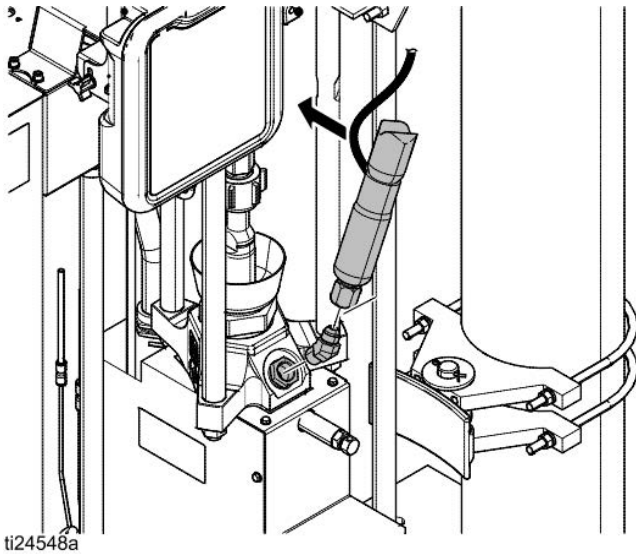


## Install Heated Hose

To connect a hose to a fluid control device or heated manifold.

1. Install fitting and heated hose onto Pump outlet with the large electrical connector side toward the system. Use 2 wrenches to tighten hose. Torque to 45 ft-lbs (61 N•m).

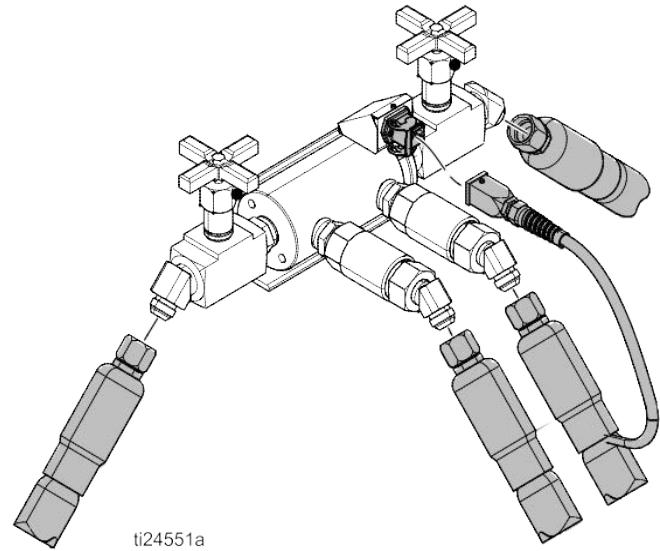
**NOTE:** See **Accessories and Kits**, page 92, for available fittings and heated hoses.



**FIG. 9**

2. Wrap exposed fittings on the Pump outlet with Nomex insulation and secure insulation using fiberglass tape.
3. Connect large heated hose connector to MZLP.
4. Repeat for any remaining channels.

5. For proper operation, cables must be plugged into zones 1–2 and 3–4 at all times.
6. Install cap on any unused MZLP electrical connectors.
7. Connect the small 8 pin connector from the heated hose to the fluid control device or heated manifold.



**FIG. 10: Heated Manifold 243697**

**NOTE:** The heated manifold (part no. 243697) shown. See **Accessories and Kits**, page 92, for available manifolds and fluid control devices.

8. Use 2 wrenches to tighten hose. Torque to 45 ft-lbs (61 N•m).
9. To connect multiple devices, see **Connect Multiple Devices**, page 18.

## Connect Multiple Devices

If your application requires multiple fluid control devices:

- Connect heated hose electrical connections to the Electrical Enclosure. Remove from shipping box to connect heated hoses to the Electrical Enclosure. For additional cables, heated hose, and fluid control devices, see **Accessories and Kits**, page 92.

- Connect fluid control devices to a heated hose or the Electrical Enclosure. Use accessories if necessary.
- Setup all heat zones on Heat-A and Heat-B screens.

Example: Heated zones used to connect a primary and secondary system to a manifold and two guns. A-# zones are on the Heat-A screen and B-# zones are on the Heat-B screen.

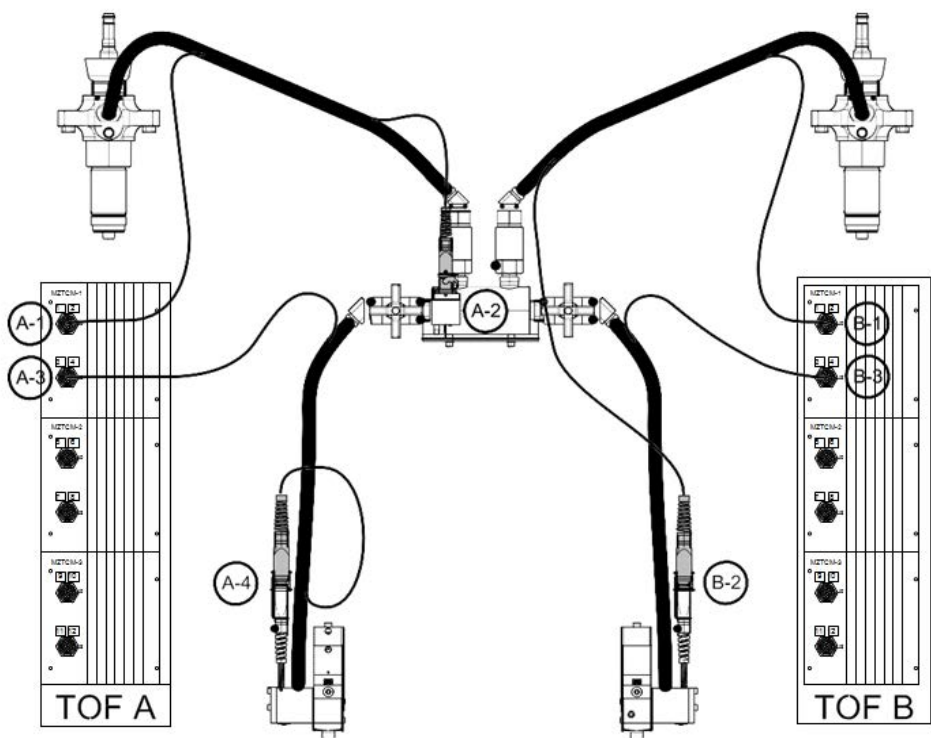


Fig. 11



i2/578a

12/05/14 16:09		Schedule	Heat-A	System
Inactive		No Active Errors		
A	Pump	380	300	
	Platen	380	300	
Zone Type		380	300	A
1	Hose	380	300	<input type="checkbox"/>
2	Gun	380	300	<input type="checkbox"/>
3	Hose	380	300	<input type="checkbox"/>
4	Gun	380	300	<input type="checkbox"/>

10/01/14 13:05		Heat-A	Heat-B	System
Inactive		No Active Errors		
B	Pump	380	300	
	Platen	380	300	
Zone Type		380	300	A B
1	Hose	380	300	<input checked="" type="checkbox"/> <input type="checkbox"/>
2	Gun	380	300	<input checked="" type="checkbox"/> <input checked="" type="checkbox"/>
3	Hose	380	300	<input checked="" type="checkbox"/> <input checked="" type="checkbox"/>
4	Gun	380	300	<input type="checkbox"/> <input type="checkbox"/>

## Connect Power

The Electrical Control Panel comes already attached and wired to the Ram, however before the supply unit becomes functional you must connect the Electrical Control Panel to a power source.

				
All electrical wiring must be done by a qualified electrician and comply with all local codes and regulations.				

**NOTE:** Required voltage and amperage is noted on the control panel label. Before running power to the unit, make sure the plant electrical service meets the machine’s electrical requirements. Branch circuit protection shall be provided by the end user.

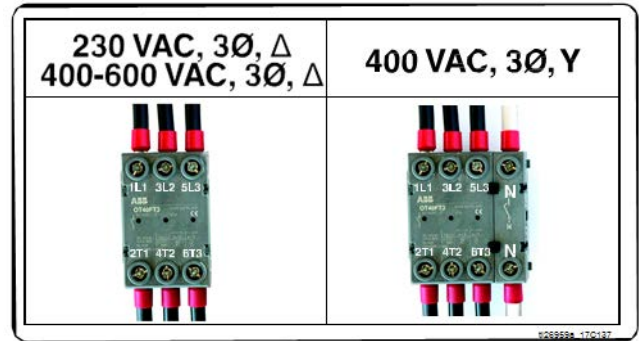
Use copper conductors rated 600 volts minimum and 167°F (75°C) minimum only. Torque to 55 in-lb (6.2 N•m).

**Table 2 Electrical Requirements**




Electric Panel Voltage	Hz	Phase	Platen	Full Load Amps	AWG
230 V	50/60	3	EF, ES	90	3 AWG
			EM	100	3 AWG
400 V/N	50/60	3	EF, ES	45	8 AWG
			EM	50	8 AWG
400 V	50/60	3	EF, ES	45	8 AWG
			EM	50	8 AWG
480 V	50/60	3	EF, ES	45	8 AWG
			EM	50	8 AWG
600 V	50/60	3	EF, ES	50	8 AWG
		3	EM	50	8 AWG

EF Standard Finned Bottom  
 EM Mega-Flo  
 ES Smooth Bottom

1. Locate the opening in the control panel’s top housing for the conduit that will enclose the wire from the facility’s power source. The hole will accept a cord diameter range of 0.7–1.2 in (17–30 mm).
2. Thread the wire from the power source into the control panel housing, and then connect the power source wires to the appropriate terminals on the DISCONNECT switch.

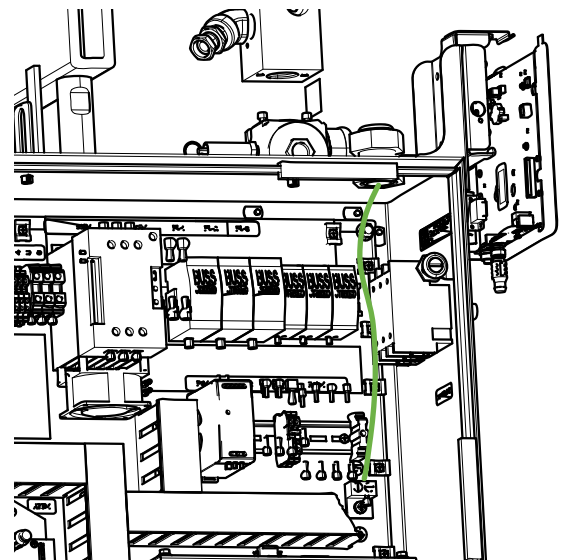


**FIG. 12**

				
To reduce the risk of fire, explosion, or electric shock, the resistance between the supply unit components and true earth ground must be less than 0.25 ohms.				

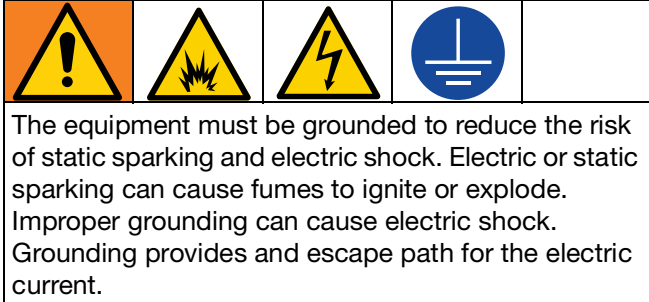
3. Connect the ground wire to the ground lug. Have a qualified electrician check the resistance between each Therm-O-Flow system ground and the true earth ground. The resistance must be less than 0.1 ohms. If the resistance is greater than 0.1 ohms, a different ground site may be required. Do not operate the system until the problem is corrected.

**NOTE:** Use a meter that is capable of measuring resistance at this level.



## Grounding

Ground the unit as instructed here and in the component manuals.



**System:** ground through ground lug in Electrical Enclosure. See **Connect Power**, page 19.

**Air and Fluid Hoses:** use only electrically conductive hoses.

**Air compressor:** follow manufacturer's recommendations.

**Spray gun / Dispense valve:** ground through connection to a properly grounded fluid hose and Pump.

**Material drums:** follow local code. Use only metal drums placed on a grounded surface. Do not place the drum on a nonconductive surface, such as paper or cardboard, which interrupts the grounding continuity.

**To maintain grounding continuity when flushing or relieving pressure:** follow instructions in your separate gun manual for instructions on how to safely ground your gun while flushing.

## Connect Secondary System

A secondary system is a Therm-O-Flow supply system that connects to the primary Therm-O-Flow system, with the ADM. See **Models**, page 7 for secondary system model numbers.

1. Connect adapter cable (AC) and communication cable (SC) to the secondary Electrical Enclosure and rout to splitter (SS) installed on the primary system.
2. To enable a secondary system, select "Enable Tandem System" on the System 1 screen. See **Select ADM Settings**, page 23.

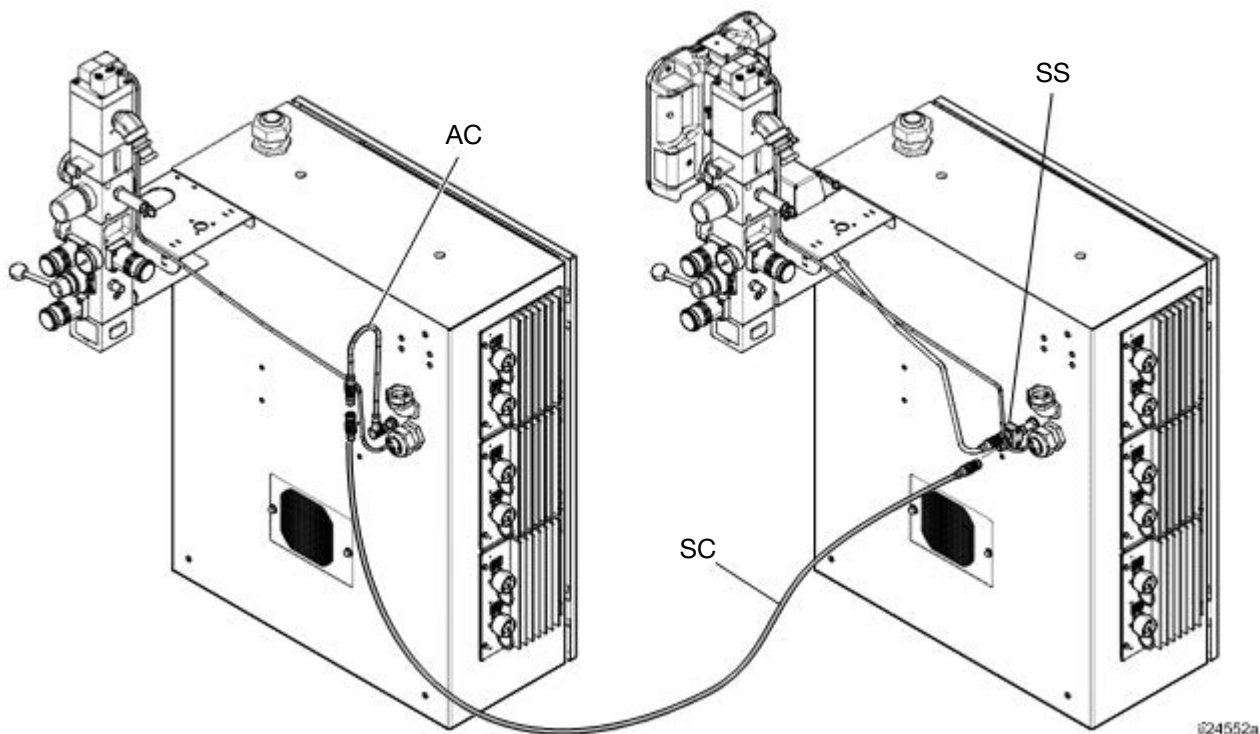




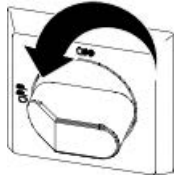
FIG. 13

## Check Sensor Resistance

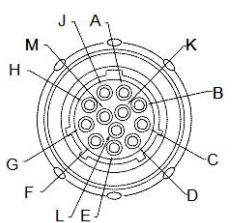
				
To reduce risk of injury or damage to equipment, conduct these electrical checks with the Main Power Switch OFF.				

The package includes up to twelve heat sensors and controllers for each of the heated zones. To check sensor resistance:

1. Turn Main Power Switch OFF.



2. Wait for components to cool down to ambient room temperature 63°-77°F (17°-25°C). Check electrical resistance for the components.



MZLP	Pins	TOF Hose
First Heat Zone	A, J	
Second Heat Zone	C, D	
First RTD	G, K	
Second RTD	M, K	
Earth Ground	B	

3. Replace any parts whose resistance readings do not comply with the ranges listed in the RTD Sensors chart below.

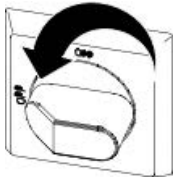
**Table 3 RTD Sensors**

MZLP	MZLP Plug	Component	RTD Range (Ohms)
		Ram Plate	100 +/- 2
		Fluid Pump	100 +/- 2
1	1, 2	Heated Accessory 1	100 +/- 2
		Heated Accessory 2	100 +/- 2
	3, 4	Heated Accessory 3	100 +/- 2
		Heated Accessory 4	100 +/- 2
2	5, 6	Heated Accessory 5	100 +/- 2
		Heated Accessory 6	100 +/- 2
	7, 8	Heated Accessory 7	100 +/- 2
		Heated Accessory 8	100 +/- 2
3	9, 10	Heated Accessory 9	100 +/- 2
		Heated Accessory 10	100 +/- 2
	11, 12	Heated Accessory 11	100 +/- 2
		Heated Accessory 12	100 +/- 2

## Check Heater Resistance

			
To reduce risk of injury or damage to equipment, conduct these electrical checks with the Main Power Switch OFF.			

1. Turn Main Power Switch OFF.



2. Make electrical resistance checks for the components.

3. Replace any parts whose resistance readings do not comply with the ranges listed in tables.

**NOTE:** Check resistance at ambient room temperature 63°-77°F (17°-25°C).

**Table 4 Heaters**


Component	Resistance Across Terminals	Unit Input Voltage	Platen or Pump Module	Resistance Values
Platen	AD to BE, BE to CF, CF to AD	220 - 240V	24V633	5.25 to 4.35 Ohms
			24V634 & 24V635	6.36 to 4.8 Ohms
	A to B, B to C, C to D, D to E, E to F and F to A	380 - 600V	24V633	12.0 to 14.5 Ohms
			24V634 & 24V635	13.5 to 18 Ohms
	Any terminal to Ground	All voltage versions	All	Greater than 100,000 Ohms
Pump	2610 to 2620	All voltage versions	All	43.2 to 53 Ohms
	T1/B1 to T3/B3			

# Select ADM Settings

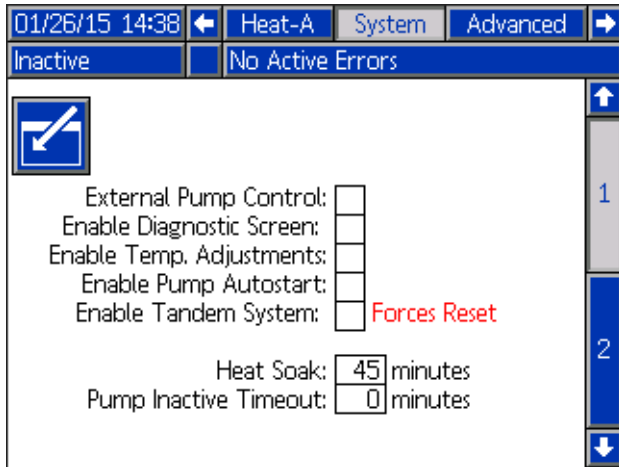
**NOTE:** See **Appendix A - ADM**, page 101 for detailed ADM information, including general operation.

1. Turn Main Power Switch ON.

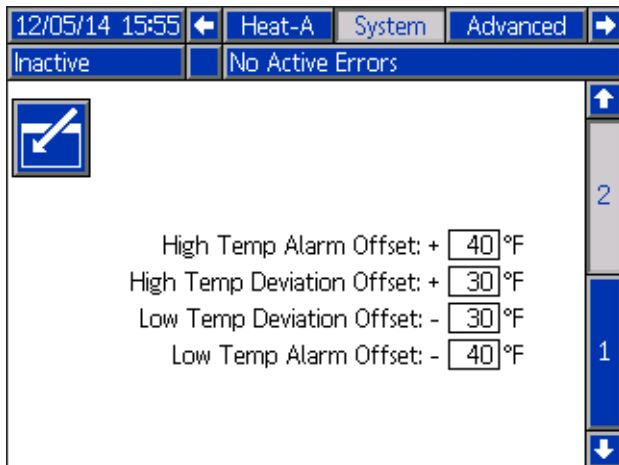


2. When the ADM is finished starting up, press  to switch from the Operation screens to the Setup screens. Use the arrows to navigate between screens.

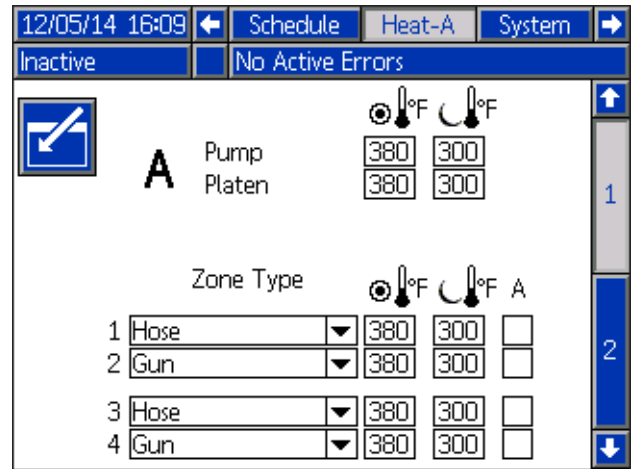
3. Check system settings on the System 1 screen.



4. Set alarm levels on the System 2 screen.



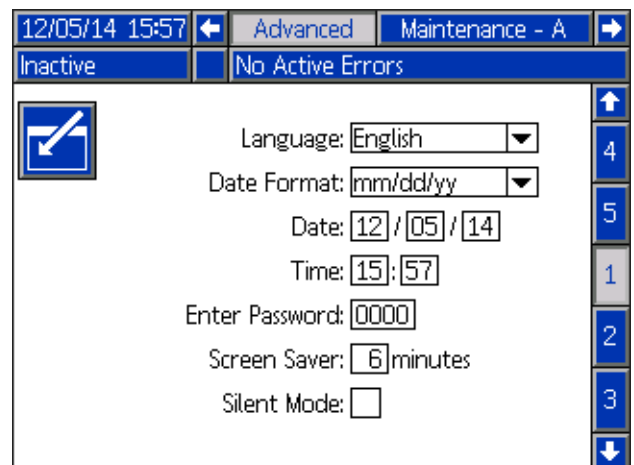
5. Set primary system setpoint and setback temperatures for the Pump, Platen, and heat zones on the Heat-A-screens.



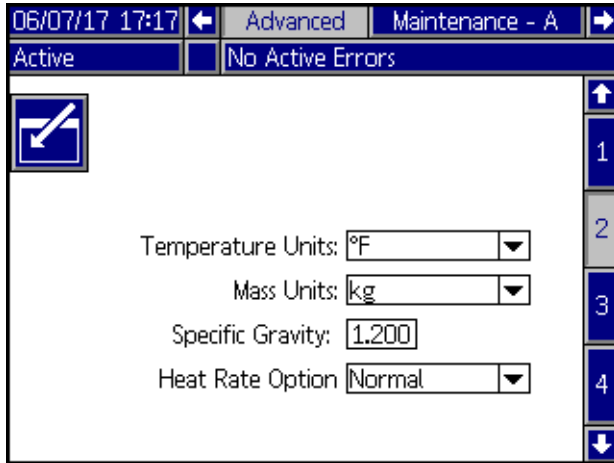
**NOTE:** Setback temperatures must be at least 20°F (10°C) lower than the setpoint temperatures.

**NOTE:** To ensure accurate hose temperatures, be sure all heated hoses have their “zone type” set to “Hose.” Hoses are only present on odd zone numbers: 1, 3, 5, 7, 9, or 11.

- a. Select the appropriate “Zone Type” for all installed zones.
  - b. Check the “A” and “B” boxes according to which systems needs to use the heated accessory.
6. If a secondary system is used, set temperatures on the Heat-B-screens.
  7. Set the system date and time on the Advanced 1 screen.



8. Set the temperature and mass units on the Advanced 2 screen. Set the specific gravity of the material for Material Tracking functionality.



**NOTE:** If the Specific Gravity is set to zero, the Home screen will display a cycle counter instead of grams or pounds.

9. To setup the optional Schedule function, see **Schedule**, page 36. The schedule function allows the system to automatically enable and disable heating and setback at specified times.
10. Optional: Set any remaining settings in the Setup screens before using the system. These are not required for system operation, but include useful functions. See **Appendix A - ADM**, page 101 for detailed information about each setup item.



## Connect PLC (Hard Wired Interface Version)



A PLC can control and monitor all items shown in the Customer Digital Inputs and Outputs shown on the Diagnostics screen. See **Appendix A - ADM**, page 101.

When the PLC has control of the system:

- Functionality is restricted from the ADM
- Automatic crossover is disabled. Rely on the PLC and machine state indicators to know when to cross over using the I/O.

**Table 5 Customer Input**

Signal No.	Unit A	Description
1	Heat On Request	Turn on the Heat
2	Setback Request	Put the Unit in Setback
3	Pump On Request	Turn on the Pump
4	PLC Control Request (input applies to primary unit A only)	Control the primary and secondary TOF systems from the PLC instead of the ADM

**Table 6 Customer Output**

Signal No.	Unit A or B	Description
1	Run State Bit Low	See Run State Chart
2	Run State Bit High	See Run State Chart
3	Error State Bit Low	See Error State Chart
4	Error State Bit High	See Error State Chart

**Table 7 Output Error States**

Error State Bit High	Error State Bit Low	
0	0	Machine is good, no errors are present
0	1	Active Unit Drum Low
1	0	Active Unit Drum Empty
1	1	Alarm Present in System

**Table 8 Output Run States**

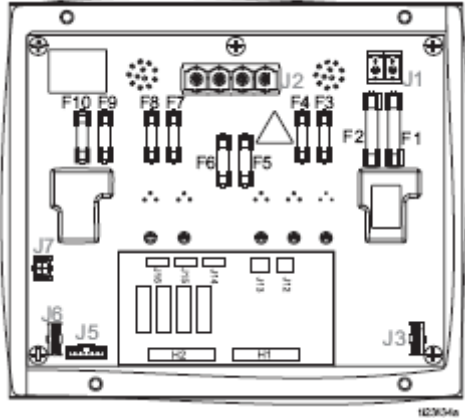
Run State Bit High	Run State Bit Low	
0	0	Pump Off/ Heat Off
0	1	Pump Off/ Heat On
1	0	Pump Off/ Heat At Temp
1	1	Pump On/ Heat At Temp

**NOTE:** All outputs are normally open when power is off. For error (alarm) output, the contacts close when an alarm occurs. For all others, contacts close.

**NOTE:** The TOF system ships with two screw terminal connectors that plug into MZLP connectors H1 and H2. Connectors are located in a bag on the inside of the Electrical Enclosure. To replace the connectors, order kit 24P176.

1. Turn Main Power Switch OFF.
2. Open the Electrical Enclosure door.
3. Route I/O cables through strain relief.
4. Remove power from the PLC.
5. Connect the PLC to connectors H1 and H2.

**NOTE:** Each connector has four signals. The MZLP board specifies the input range for each signal. See the following table for pin assignments.



**FIG. 14**

H1 Customer Input	
Signal	Pin
1	1,2
2	3,4
3	5,6
4	7,8

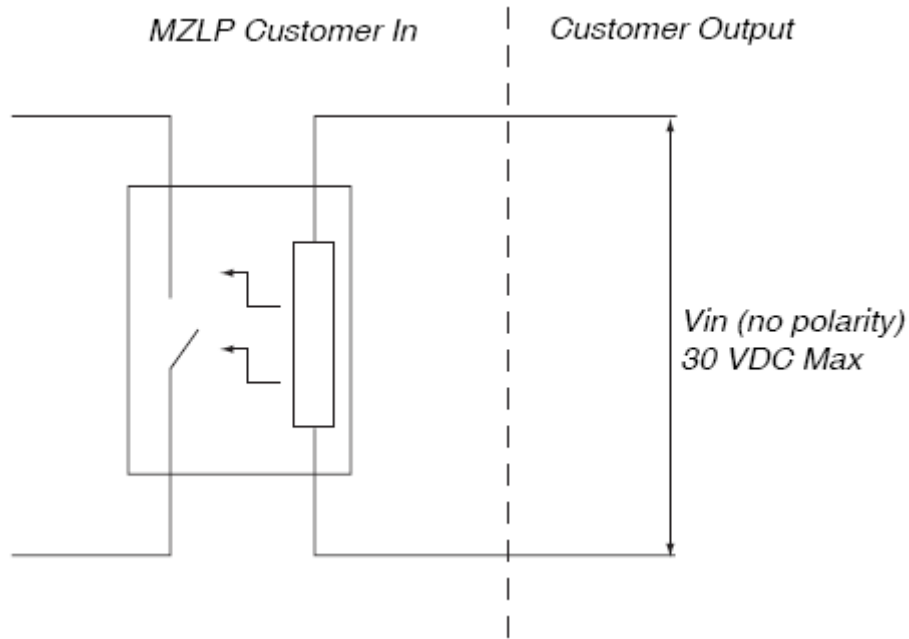
H2 Customer Output	
Signal	Pin
1	1,2
2	3,4
3	5,6
4	7,8

**Inputs:** High: 10–30 VDC, Low: 0–5 VDC. Inputs function without concern for polarity. Applying “high” voltage will turn the heaters on and enable setback. Removing voltage will turn the heaters off and disable setback.

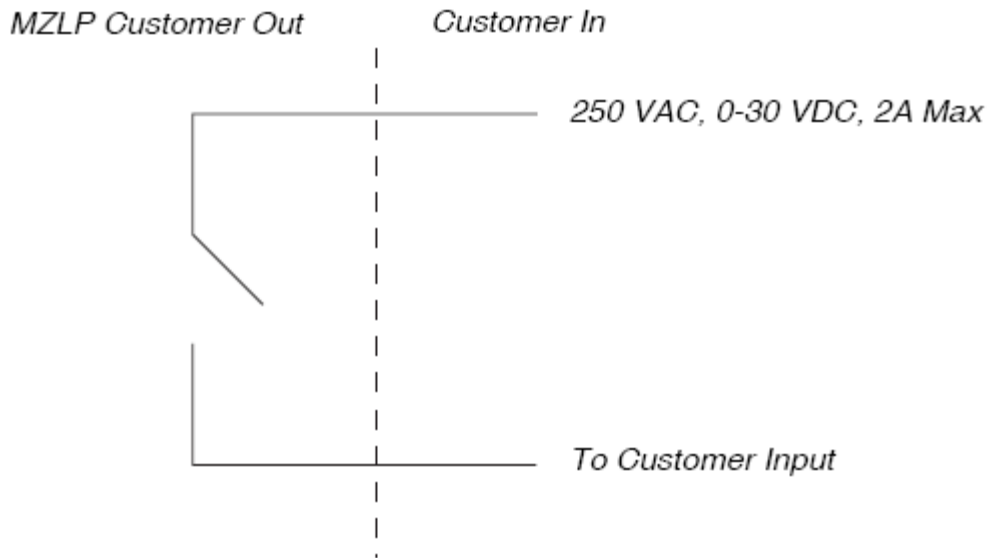
**Outputs:** 0–250 VAC, 0–30 VDC, 2A Maximum.

### PLC Connections Block Diagrams

The following block diagrams show how to connect customer inputs and outputs to the MZLP. For convenience, each system ships with connector kit 24P176. If a connector is lost or damaged, order kit 24P176 for replacements.



**FIG. 15: Customer Input**




**FIG. 16: Customer Output**

# Operation

1. Turn the Main Power Switch ON. The Graco logo will display until communication and initialization is complete.



2. Press the  button. Verify the machine is in “Warm Up” state, and that the temperatures are increasing. Allow the system to reach the “Ready” state before pumping. The Pump will automatically turn on, if autostart is enabled in setup screens, when all the heat zones reach their setpoint temperature.

## Purge System



### NOTICE

Purge the system before initial use and when chemicals are changed to prevent material contamination, which may cause the material to fail or perform poorly. The system was factory- tested using a light soluble oil, a soybean oil, or some other oil as tagged. Flush the system to avoid contaminating the material that has been designated for initial material loading.

### NOTICE

Use fluids that are chemically compatible with the equipment wetted parts. See **Technical Specifications** in all of the equipment manuals.

1. Select the material for the initial material load.
2. Verify whether the factory-test oil and the initial material load are compatible:
  - a. If the two substances are compatible omit the remaining steps in this procedure and refer to **Load Material**, page 29.
  - b. If the two substances are incompatible perform the remaining steps in this procedure to flush the system.
3. Select a drum of material that can eliminate the factory-test oil from the system. If necessary, check with Graco or the material supplier for a recommended solvent.
4. Before purging be sure the entire system and waste drum are properly grounded. See **Grounding**, page 20.
5. Turn all heat zones’ setpoint temperature to the material manufacturer’s recommended dispense temperature, or a minimum of 100°F (37°C) minimum.

**NOTE:** Remove any dispense valve orifices before purging. Reinstall after purging has been completed.

6. Purge the material through the system for approximately 1 to 2 minutes.
7. Remove the drum if purge material was used. See **Change Drums**, page 37.

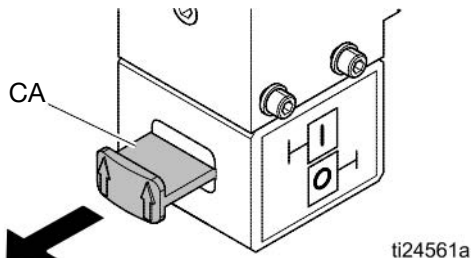
## Load Material

### NOTICE

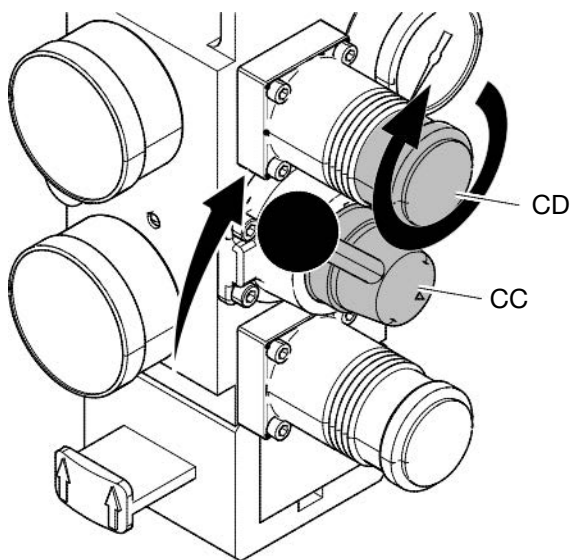
To prevent damage to Platen wipers, do not use a drum of material that has been dented or damaged. An empty drum clamp can interfere with up and down operation of the Ram. When raising the Ram, make sure the drum clamp stays clear of the Platen.

**NOTE:** Before loading material, make sure there is a minimum overhead clearance of 110 in. (280 cm) and all air regulators are backed off to their full counterclockwise position.

1. Open the Main Air Slider Valve (CA).



2. Set Ram Director Valve (CC) to UP and slowly turn the Ram Up Regulator (CD) clockwise until the Platen (G) begins to rise.

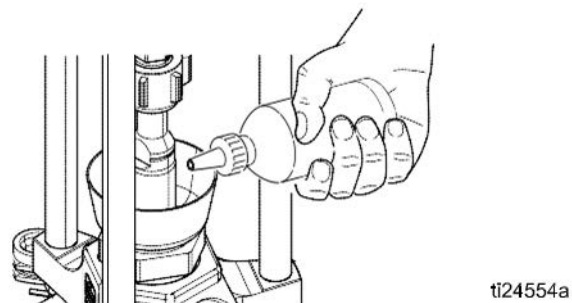


**FIG. 17: Raise the Platen**

3. Apply a thin coating of high temperature grease lubricant (part no. 115982) to the Platen drum seals.

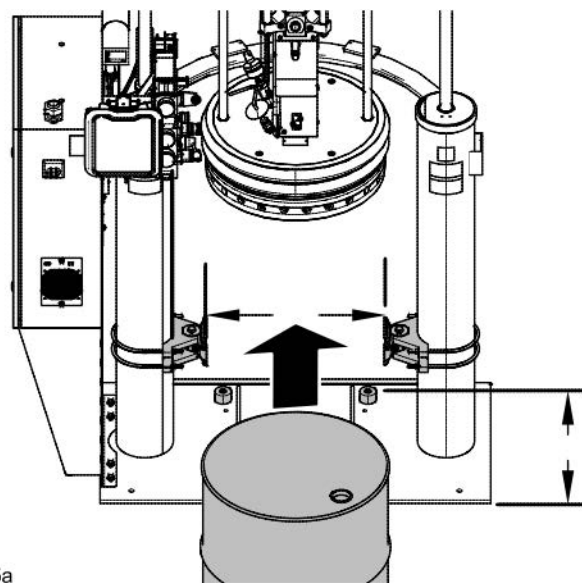
4. Fill displacement pump wet cup 2/3 full with Graco Throat Seal Liquid (TSL™) for Butyl and PSA materials.

**NOTE:** Use IsoGuard Select® (IGS) (part no. 24F516) for PUR or reactive Polyurethane material. IGS is designed to dissolve and suspend the Polyurethane materials. IGS will solidify after a period of time and should be replaced once the solidified lube does not return to liquid form after heating.



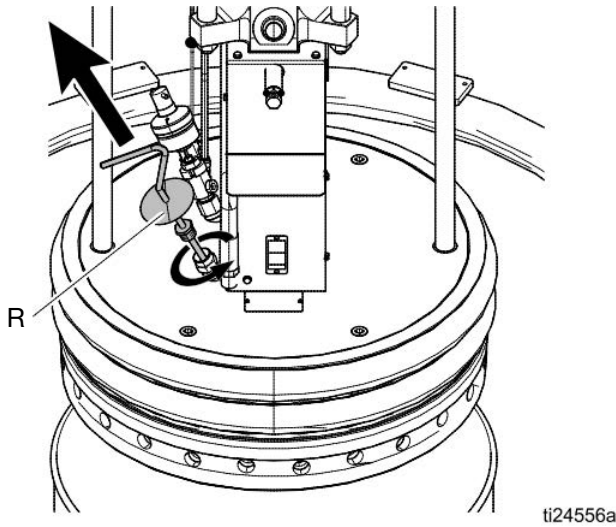
**FIG. 18: Wetcup**

5. Open drum, remove any packing material, and inspect material for any contamination.
6. Slide the drum between the drum centering guides and against the stops at the back of the Ram baseplate.



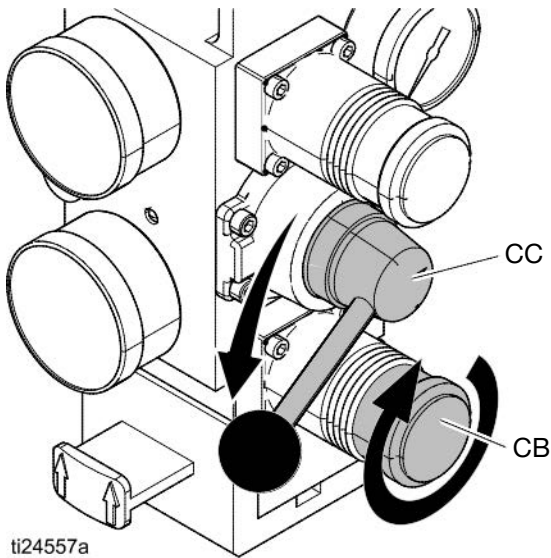
**FIG. 19: Drum Placement**

- Remove the Ram Plate Bleed Stick (R).



**FIG. 20: Platen Bleed Handle**

- Set Ram Director Valve (CC) to down.



**FIG. 21: Lower the Platen**

- Slowly turn the Ram Down Air Regulator (CB) clockwise to approximately 5–10 psi (34–69 kPa, 0.3–0.7 bar). The Platen will begin to lower into the drum.
- After the Platen seals enter the material drum, adjust the Ram Down Air Regulator (CB) to 30–50 psi (207–345 kPa, 2.1–3.4 bar).

- When the Ram stops, reinsert the Ram Plate Bleed Stick (R) and hand tighten.

## Heat Up System




To reduce the risk of bursting a hose, never pressurize a hot melt system before turning on the heat. The air will be locked from the Air Motor until all temperature zones are within a preset window of the temperature setpoints.


Keep the dispense valve open over a waste container while the system is heating up and also when cooling down. This will prevent a pressure build-up caused by fluids or gases expanding from the heat.

**NOTE:** Operate at the lowest temperature and pressure necessary for your application.

- Turn the Main Power Switch on the Electrical Control Panel door to the ON position.



- Press the  button. The zones begin to heat

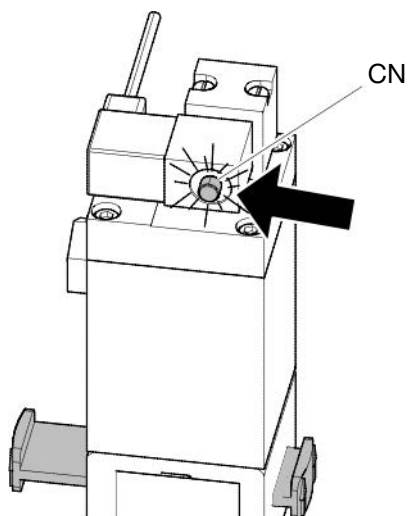
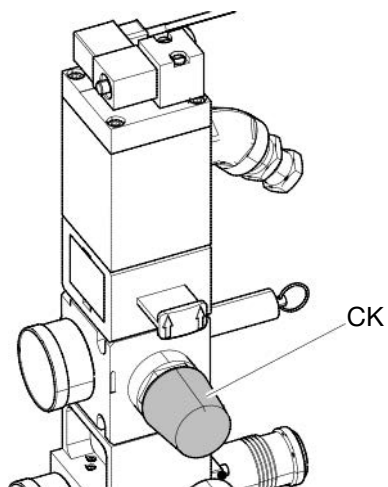
(provided they are enabled). Press  if the zones do not begin to heat. Display status bar reads **Warm Up**. When temperature reaches setpoint, the display status bar reads **Heat Soak**. When heat is on, the status will display in the status bar. See **Advanced Display Module (ADM)**, page 11, for operation mode descriptions.

**NOTE:** The air will be locked from the Air Motor until all temperature zones are within a preset window of the temperature setpoints, allowing the system to heat fully and complete the material heat soak period.

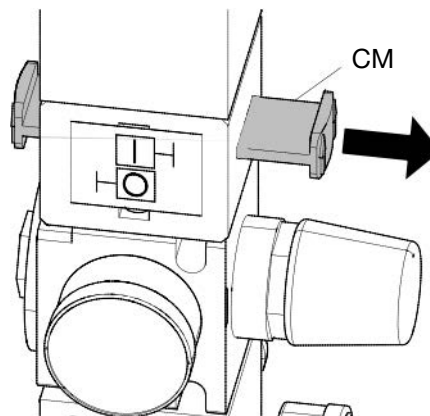
## Prime Pump



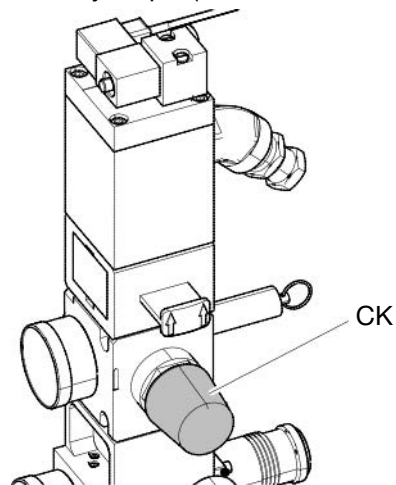
1. Ensure that the system has completed the heat soak cycle. The display status bar should read **Active**.
2. Adjust the Air Motor Air Regulator (CK) to 0 psi.



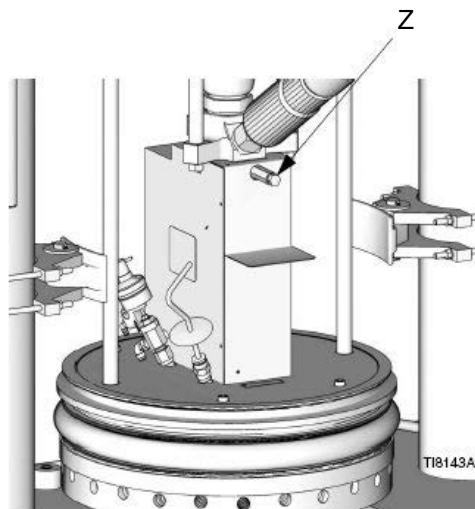
3. Adjust the Air Motor Slider Valve (CM) to the open position.




4. Adjust the Air Motor Air Regulator (CK) to approximately 20 psi (138 kPa, 1.38 bar).



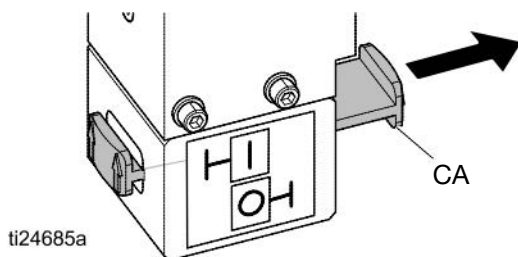
5. Place a waste container under the bleed stem (Z). Using an adjustable wrench, open the bleed stem counterclockwise 1/3 - 1/2 turn.



- If a new drum was installed and the unit is equipped with proximity sensors, press the Pump

Ready button . Press the pause button  on material tracking.



- Adjust the Air Motor Air Regulator (CK) up by 5 psi (34 kPa, 0.3 bar). Never adjust the regulator by more than 5 psi (34 kPa, 0.3 bar) increments. Make sure the Pump begins to cycle and heated material flows from the bleed stem (Z) after several cycles of the Pump.
- Prime the Pump until it moves smoothly in both directions with no air popping or erratic movement and close the bleed stem (Z).



- Press the Play button  on the home screen to enable material tracking and press the Pump Ready button.

## For Tandem Operation

Complete steps 1-5 on page 31 for the inactive unit. Note that the heat will remain on for the inactive unit until the system is turned off.

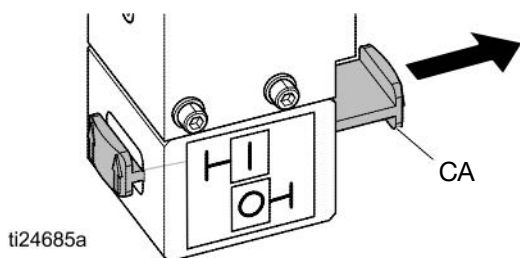
- If a new drum has been installed in the inactive unit, press the Pump Ready button  on the inactive unit. The light on the solenoid of the inactive unit should be on (CN).
- Adjust the Air Motor Air Regulator (CK) up by 5 psi (34 kPa, 0.3 bar). Never adjust the regulator by more than 5 psi (34 kPa, 0.3 bar) increments. Make sure the Pump begins to cycle and heated material flows from the bleed stem (Z) after several cycles of the Pump.
- Prime the Pump until it moves smoothly in both directions with no air popping or erratic movement and close the bleed stem (Z).
- Press the Pump Ready button  for the inactive unit.



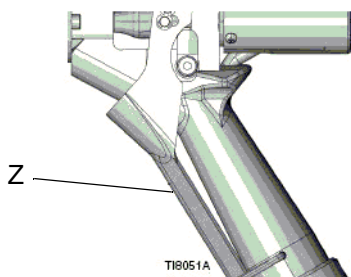
## Prime System




1. Close the Main Air Slider Valve (CA).



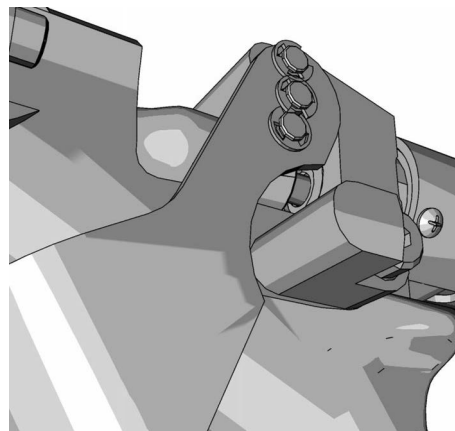
2. If using a manual gun, lock the dispense valve trigger open by pulling and securing the trigger using the trigger retainer (Z).




3. Place the dispense valve over a waste container.
4. Press the pause material tracking button  on home screen.
5. Slowly open the Main Air Slider Valve (CA).
6. Prime the system until a smooth flow of material dispenses from each dispense valve.

**NOTE:** On initial system startup, the Pump will cycle until the hoses are filled. If a new drum was placed on the frame, the Pump will cycle until all air has been removed.

7. Close the Main Air Slider Valve (CA) and release the trigger lock.
8. Engage the trigger lock.




**FIG. 22: Trigger Lock Engaged**

9. Press  to engage material tracking.
10. Turn the Air Motor regulator to operating pressure.

**NOTE:** The amount of time before the Pump is automatically placed in setback is determined by the Pump Inactivity Timeout, located on System Setup Screen 1. See **Setup Screens**, page 105.

## Setback Mode

Set the ADM to setback mode if the system will only be inactive for a few hours. This will reduce the time the system needs to return to setpoint temperatures.

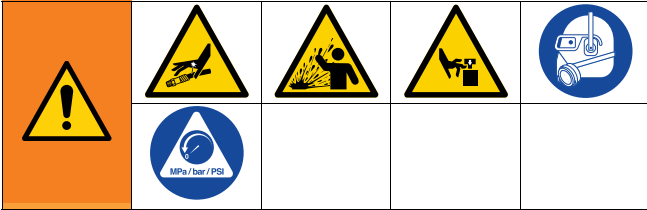
1. Press  to enter Setback Mode.

**NOTE:** The amount of time before the Pump is

# Pressure Relief Procedure



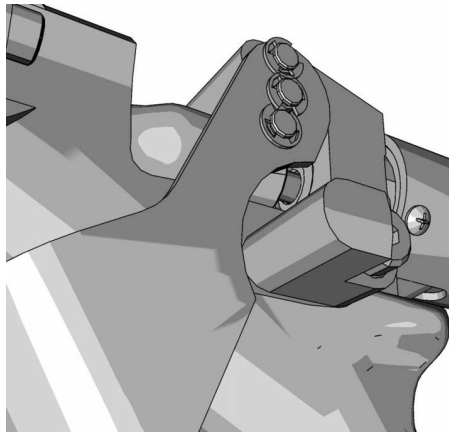
Follow the **Pressure Relief Procedure** Whenever you see this symbol.



This equipment stays pressurized until pressure is manually relieved. To help prevent serious injury from pressurized fluid, such as skin injection, splashing fluid and moving parts, follow the **Pressure Relief Procedure** when you stop spraying and before cleaning, checking, or servicing equipment.

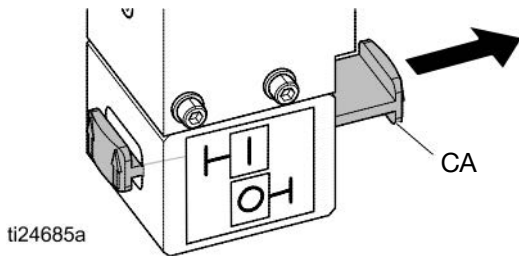
**NOTE:** If using a different dispense applicator, see the applicator manual for pressure relief instructions.

1. Engage the trigger lock.



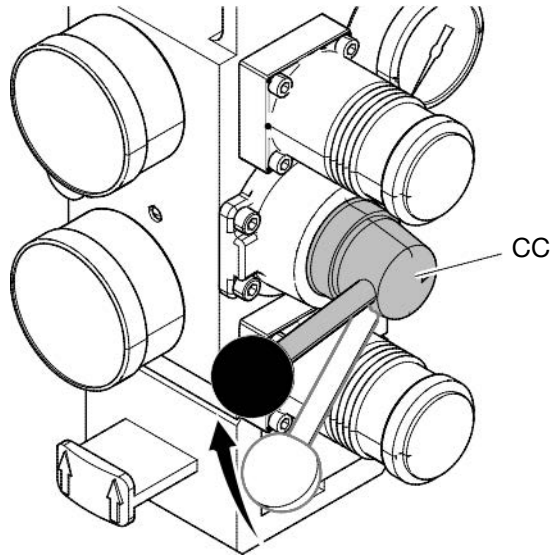
**FIG. 23: Engaged**

2. Close the system Main Air Slider Valve (CA).

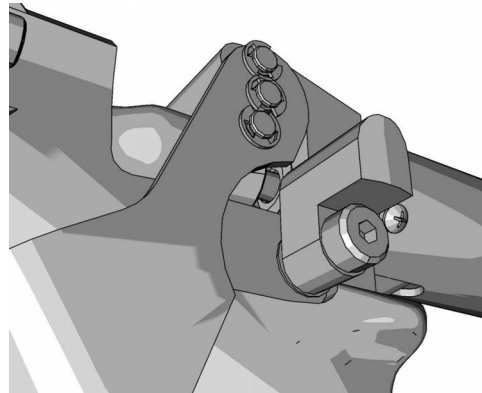


ti24685a

3. Set the Ram Director Valve (CC) to the neutral position.



4. Disengage the trigger lock.

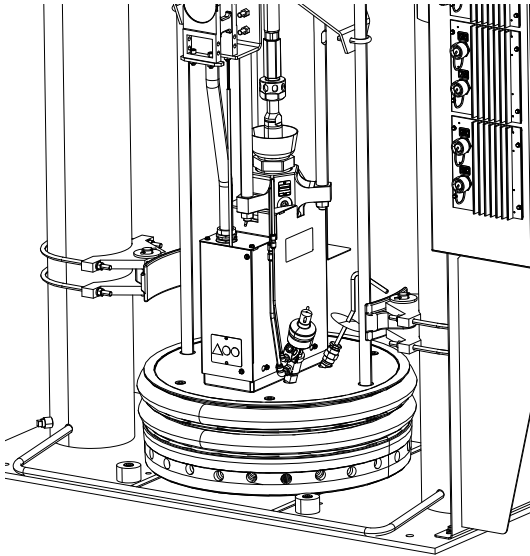


**FIG. 24: Disengaged**

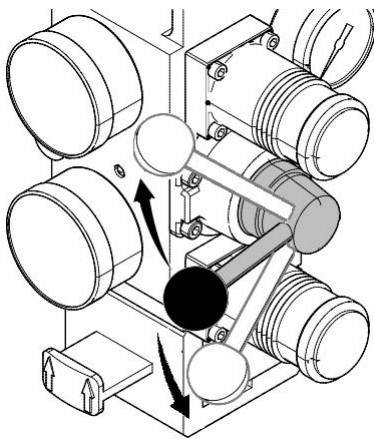
5. Hold a metal part of the gun firmly to a grounded metal pail. Trigger the gun to relieve pressure.
6. Engage the trigger lock.
7. Open all fluid drain valves in the system, having a waste container ready to catch drainage. Leave drain valve(s) open until you are ready to dispense again.
8. If you suspect the tip or hose is clogged or that pressure has not been fully relieved after following the steps above, **VERY SLOWLY** loosen hose end coupling to relieve pressure gradually, then loosen completely. Clear hose or tip obstruction.

**NOTE:** If work needs to be performed on the Ram portion, perform the following additional steps to relieve any trapped air in the inactive portion of the Ram.

9. Validate that the Heated Pump is fully supported and is resting on the bottom plate.




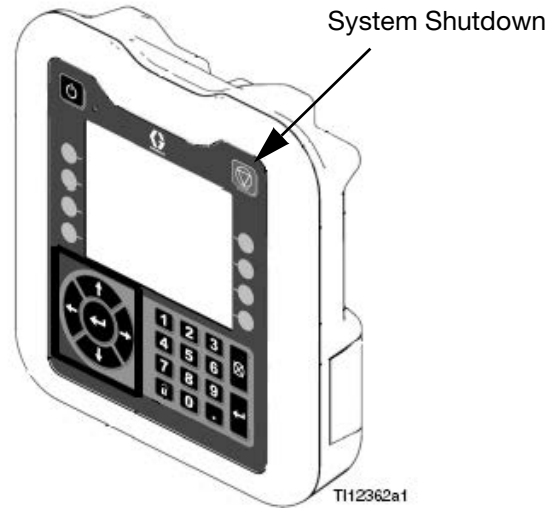
10. Toggle the Ram Director Valve up and down to relieve any trapped air.



## Stop Controls


### Normal Stop Control

To stop all electrical and most pneumatic processes, press the System Shutdown button  located on the ADM.



All electrical operations will be shut down and the air pressure to the Air Motor will be immediately relieved, which will stop the movement of the Heated Pump.

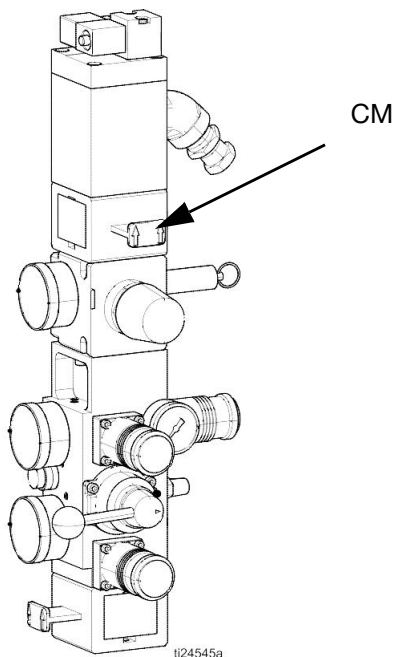
Electrical components located in the main control box will remain energized, but all operations will stop until

the system Enable/Disable button  has been pressed.

The Ram Director Valve will remain operable.

### Air Motor and Heated Pump Stop

To stop only the Air Motor and Heated Pump, close the Air Motor Slider Valve (CM). This is the preferred method while changing drums.



Air pressure to the Air Motor will be immediately relieved, which will stop movement of the Heated Pump but allow the heater to remain operable.

The Ram Director Valve will also remain operable.

The Air Motor Slider Valve can be locked in the closed position.

### Total System Shutdown

To stop all electrical and most pneumatic processes, turn the Main Power Switch OFF.





This will remove all electrical power to the system past the Main Power Switch.

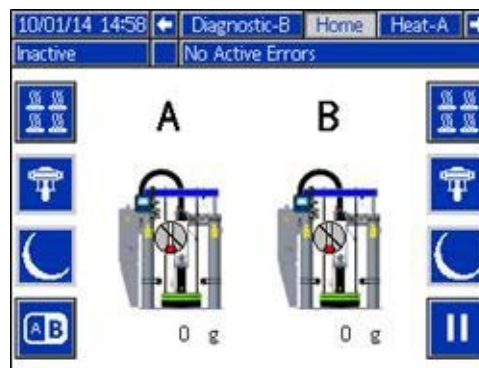
Air pressure to the Air Motor will be relieved, which will stop movement of the Heated Pump.

The Ram Director Valve will remain operable.

The Main Power Switch can be locked in the open position.

## Shutdown

1. Press  to disable the heaters and Pump. The screen will say "Inactive". If using the Schedule function, the heaters and Pump will be disabled automatically at the set time. Only press  to disable the heating system before the set time. If the heaters were manually disabled, the Schedule function will automatically enable them at the next set time.



**NOTE:** Do not perform step 2 if using the Schedule function. Leave the power on.

2. Turn the Main Power Switch OFF.



## Schedule

The Schedule function allows the user to specify times when the system will automatically turn on and off the heaters and Pump.

A screenshot of the instrument's control screen showing the 'Schedule' function. The top bar shows the date and time '11/27/13 10:01' and navigation buttons for 'Maintenance', 'Schedule', and 'System'. The main display area shows 'Active' and 'No Active Errors'. Below this is a table with columns for days of the week (Mon, Tue, Wed, Thu, Fri, Sat, Sun) and rows for time intervals. The table shows scheduled on/off times for each day.

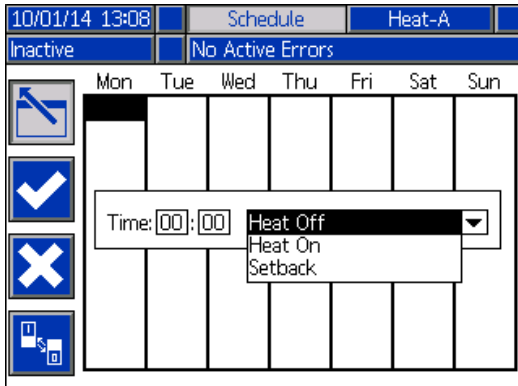
	Mon	Tue	Wed	Thu	Fri	Sat	Sun
On	06:45	06:45	06:45	06:45	06:45		
Off	11:50	11:50	11:50	11:50	11:50		
On	12:20	12:20	12:20	12:20	12:20		
Off	18:30	18:30	18:30	18:30	18:30		

**Table 9 Schedule Screen Color Identification**

Color	Description
Green	System on
Yellow	Setback
Red	System off
Gray	Disabled

### Set Schedule Times


Times are set using a 24-hour clock. Several on and off times can be set each day.



1. On the Schedule screen (in the Setup screens), set the ON times for each day of the week
2. Set the off times for each day of the week.
3. Set the setback times for each day of the week.

### Enable Schedule Function

The Schedule function is automatically enabled when values are entered in the Schedule screen. To disable a

scheduled event, navigate to the event and press .

The event will appear gray on the screen when it is disabled. To re-enable an event, navigate to the event

and press .

The event will appear red (system off), yellow (system setback), or green (system on). If no events are needed, turn the Main Power Switch OFF to prevent system from automatically enabling and disabling the heaters.

### Use the Schedule Function

At the end of the work day leave the Main Power Switch ON. The Schedule function will automatically enable and disable the heaters and Pump at the specified times.

### Change Drums



To prevent serious burns from dripping material, never reach under the Heated Platen after the Platen is out of the drum.



Moving parts can pinch or amputate fingers, or can crush feet. When the Pump is running, and when raising or lowering the Ram, keep fingers and hands away from the Pump intake, Platen, and lip of the drum. When lowering the Platen to the baseplate, keep feet away from the Platen.

Perform the following procedure to change the drum on a fully heated system.

**NOTICE**

**Be sure to reload the empty supply unit with a full drum of material immediately.** Do not raise the Ram and remove the Platen from the empty drum until you are ready to immediately install a new drum.


**Do not raise the Ram and remove the Platen from the empty drum unless the supply unit is at full operating temperature.** Drum changes can only be performed when the system is heated.

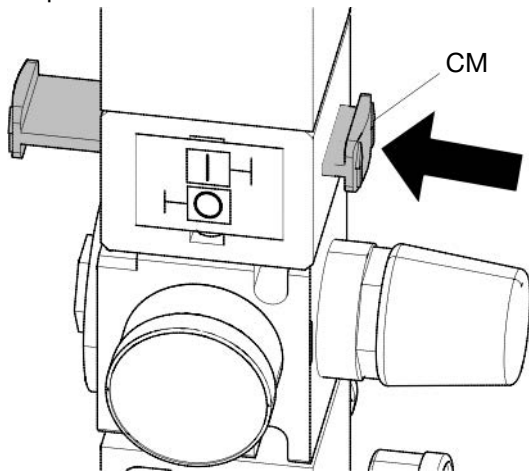
**An empty drum clamp can interfere with the up and down operation of the Ram.** When raising or lowering the Ram, make sure the drum clamp stays clear of the Platen assembly.

**Do not use a drum of material that has been dented or otherwise damaged;** damage to the Platen wipers can result.

**All systems include Low/Empty Sensors:**

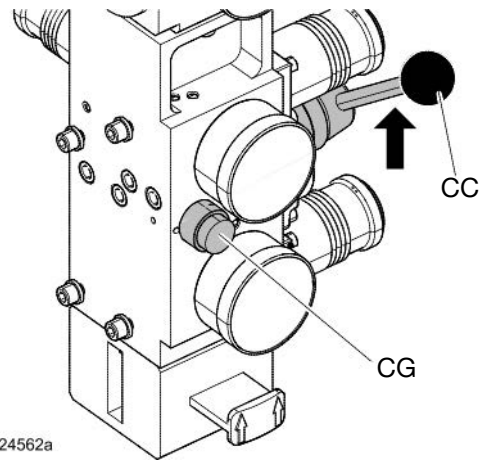
- The air will shut off to prevent the Pump from cavitation. If the Light Tower kit is installed, a solid red light indicates that the pail is empty and ready to change.
- In a tandem system, a flashing red light means that both drums are empty and the system has shutdown.

1. Press  to stop material tracking.
2. Push in the Air Motor Slider Valve (CM) to stop the Pump.



3. Set Ram Director Valve (CC) to UP and raise the Platen (G) and immediately press and hold the Blowoff Buttons (CG) until the Platen is completely out of the drum. Use minimum amount of air

pressure necessary to push the Platen out of the drum.



ti24562a



Excessive air pressure in the material drum could cause the drum to rupture, causing serious injury. The Platen must be free to move out of the drum. Never use drum blowoff air with a damaged drum.

4. Release the blowoff air button and allow the Ram to rise to its full height.
5. Remove the empty drum.
6. Inspect Platen and if necessary, remove any remaining material or material build-up.
7. Follow steps in **Load Material**, page 29, and **Prime Pump**, page 31.

# Troubleshooting





## Light Tower (Optional)


Signal	Description
Red Light Off	If green light is also off, system power may be off or system operating mode is Inactive. If green is on or flashing, there are no active errors
Red Light On	User interaction required — alarm, system is shut down
Red Light Flashing	User interaction required — advisory, deviation, or system is in a state that could prohibit dispensing
Green Light Off	System is inactive
Green Light On	System is ready to dispense. The heat and Pump are on.
Green Light Flashing	System will be ready to dispense in time without user interaction (heat on, Pump off, and temperature control zones have not reached set point)


## Error Codes

There are three types of errors that can occur. Errors are indicated on the display as well as by the optional Light Tower.

Alarms are indicated by . This condition indicates a parameter critical to the process has reached a level requiring the system to stop. The alarm needs to be addressed immediately.

Deviations are indicated by . This condition indicates a parameter critical to the process has reached a level requiring attention, but not sufficient enough to stop the system at this time.

Advisories are indicated by . This condition indicates a parameter that is not immediately critical to the process. The advisory needs attention to prevent more serious issues in the future.

To acknowledge the error, press .

The third digit, or sometimes the last digit of the error code, indicates which unit the error is active on. The “★” (star) character indicates the code applies to multiple system components.

Third or Last Digit “★”	Code Relates To:
A	Unit A
B	Unit B

The last digit of the error code indicates which system component the error applies. The “#” (pound) character indicates the code applies to multiple system components.

Last Digit “#”	Code Relates To System Component:
1	MZLP 1
2	MZLP 2
3	MZLP 3
5	MZLP 5
6	MZLP 6
7	MZLP 7
G	Gateway (CGM)
H	Gateway Heartbeat Loss
V	AWB Unit A
W	AWB Unit B
X	Daughter Board Unit A
Y	Daughter Board Unit B

The last digit of the error code indicates which heat zone the error applies. The “\_” (underscore) character indicates the code applies to multiple system components.

Last Digit “_”	Code Relates To Heat Zone:
1	Zone 1
2	Zone 2
3	Zone 3
4	Zone 4
5	Zone 5
6	Zone 6
7	Zone 7
8	Zone 8
9	Zone 9
A	Zone 10
B	Zone 11
C	Zone 12
D	Pump
E	Platen



Code	Description	Type	Cause	Solution
A3MF	AWB Clean Fan Filter	Alarm	Cooling inlet screen is dirty	Clean inlet screen.
A4 _	High Current Unit _ Zone _	Alarm	Defective or shorted to ground on zone	Verify accessory is rated for 240 VAC. Verify heater resistance and check for shorts to ground. Replace as necessary.
A4C#	High Current Fan AWB, Unit _	Deviation	Fan is drawing too much current	Verify there is not an air obstruction at the inlet/outlet of enclosure. Verify nothing is preventing fan rotation. Replace fan if necessary.
A7 _	Unexp. Curr. Unit _ Zone _	Alarm	Unexpected current flow to zone	Replace MZLP. Faulty accessory heater. Measure resistance to ground between heater leads.
A8 _	No Current Unit _ Zone _	Alarm	No Current Flow to the Zone	Check for loose or disconnected wires or plugs. Check for blown fuses on MZLP. Check heater resistance for open circuit. Check for shorts between heater and ground. Verify cable is plugged into zones 3-4. Replace heater if necessary.
A8C	AWB No Fan Current	Alarm	Cooling Fan not Working	Verify fan is plugged in. Replace if necessary.
AM3#	High Current SSR MZLP _	Alarm	Excessive current flow in the SSR	Check for shorts in harness to SSR. Check polarity of wiring to SSR. Replace if necessary.
AM4#	High Current Contactor MZLP _	Alarm	Defective or shorted to ground on MZLP	Check for shorts in the harness to contactor. Check the polarity to contactor. Replace contactor if necessary.
AM8#	No Current Contactor MZLP _	Alarm	No Current Flow to the Contactor	Ensure harness to MZLP is connected. Ensure wiring to contactor is secure. Replace contactor if necessary.
CAC#	Comm Error MZLP _	Alarm	System not responding to ADM.	System is not properly loaded with correct Software. Dial not set correct on MZLP. Duplicate MZLP dial positions (i.e. 1 to 1, 2 to 2, ect). Check all CAN connections between the ADM and missing MZLP. Check if hardware exists on the network. Replace MZLP if necessary.
CACX	DB Not Present Unit A	Alarm	Daughter Board not responding	Dial not set correct on MZLP 5. Set to 5 on board with daughter board. Ensure connections between the ADM and hardware are secure. Replace Daughter Board.

Code	Description	Type	Cause	Solution
CCAG	Comm. Error, Gateway	Alarm	CGM Module is no longer responding	Power removed from Gateway. Restore power. Rotary switch on Gateway changed to positions between 2 and 8 (must be in 0, 1, or >8 positions).
CACH	Gateway Heartbeat Loss	Alarm	Heartbeat signal was removed while PLC was controlling the TOF via the CGM	PLC went off line. Field Bus connection to CGM was broken. Restore connection between Field Bus and CGM.
CACY	DB Not Present Unit B	Alarm	Daughter Board not responding	Dial not set correct on MZLP. Set to 4 on board with daughter board. Ensure connections between the ADM and hardware are secure. Replace Daughter Board.
CACV	AWB not present Unit A	Alarm	AWB not responding	Ensure connections between the ADM and hardware are secure. If a tandem system, ensure AWB 2 jumper is installed at startup. Replace AWB.
CACW	AWB not present Unit B	Alarm	AWB not responding	AWB 2 jumper was not in place at start up Ensure connections between the ADM and hardware are secure. Replace AWB.
DA X	Pump Runaway Detected	Alarm	Pump is trying to feed adhesive, no adhesive to feed.  Worn or damaged Pump seals	Adjust the drum empty level sensor to detect an empty state. Ensure the Ram Director Valve is in the down position and sufficient air is forcing the Ram down. Melter at incorrect temperature, too low. Check setpoint and set to manufactures recommendation. Inspect Pump seals and replace if necessary
DE X	Reed Switch Failure Detected	Alarm	Reed switch failed	Check that sensor cable is plugged into the daughter board at J16. Check for loose connection at reed switch. Ensure reed switch is securely attached to the Air Motor. Replace if necessary.

Code	Description	Type	Cause	Solution
DC X	Pump Diving	Alarm	Pump is trying to feed adhesive, no adhesive to feed.	Adjust the drum empty level sensor to detect an empty state.
				Ensure the Ram Director Valve is in the down position and sufficient air is forcing the Ram down.
				Melter at incorrect temperature, too low. Check setpoint and set to manufactures recommendation.
			Worn or damaged Pump seals	Inspect Pump seals and replace if necessary
L1 X	Material Level Sensor Error	Alarm	Machine is detecting an empty state without a low state	Make sure the empty level sensor is not covered in material
				Verify the low level sensor is plugged into J15 of the daughter board. Verify the low level sensor is close enough to the metal bar; adjust if necessary.
				Replace sensors.
L2 X	Material Level Empty	Alarm	Material drum is empty	Replace material container. If more material is leftover, lower the empty level sensor.
L3 X	Material Level Low	Deviation	Material level is low	Replace at appropriate time.
MMUX	USB Log Full	Advisory	USB logs fulls. Data loss will occur if not downloaded.	Download USB data or disable the USB log errors on the Advanced screen 3.
MN X	Pump _ Requires Maintenance	Advisory	User defined Pump maintenance counter has run out	Perform Pump maintenance, then reset the counter on the maintenance setup screen.
Ta★	Over Temperature Switch	Alarm	An over temperature switch has opened.	Check Heat Rate Option on Advanced Screen 2 to make sure it is set to Normal or Slow. If set to Fast, the switch will open on the pump or platen.
				If “_” is 9, A, B, or C, make sure jumper 16W035 is installed in J5 on MZLP 5 and MZLP 7 (for tandem units).
T1 _	Low Temp. Unit _ Zone _	Alarm	Zone temperature too low	Reduce flow rate.
				Increase temperature of accessory upstream.
				Faulty accessory heater measure resistance between heater leads.
				Change Low Temp Alarm Offset.
				Replace accessory.
T2 _	Low Temp. Unit _ Zone _	Deviation	Zone temperature too low	Reduce flow rate.
				Change Low Temp Deviation Offset.
				Add zone (temperature) upstream.

Code	Description	Type	Cause	Solution
T3 _	High Temp. Unit _ Zone _	Deviation	Temperature reading has risen too high	Change High Temp Deviation Offset.
				Verify setpoint upstream is not hotter than this zone's setpoint.
T4C#	AWB Temperature Runaway Transformer	Alarm	Cooling fan not working or inlet is blocked/dirty	Ensure inlet and outlets are not obstructed.
				Verify fan is plugged in.
T4M#	AWB High Transformer Temp	Alarm	Transformer Temperature is too High	Ensure inlet and outlets are not obstructed.
				Verify fan is plugged in.
T4 _	High Temp. Unit _ Zone _	Alarm	Temperature reading has risen too high	Change High Temp Alarm Offset.
				Verify setpoint upstream is not hotter than this zone's setpoint.
T6 _	Sensor Err. Unit _ Zone _	Alarm	Bad RTD Reading	Check RTD wiring and harness/connector integrity.
				Replace RTD.
T6C#	AWB Invalid Thermistor Reading	Alarm	Transformer thermistor temperature is incorrect	Verify thermister is securely connected to J7 of the AWB. Replace transformer if necessary.
T8V_	No Temp. Rise Unit _ Zone _	Alarm	Temperature reading does not change.	Check fuses on MZLP connected to that Zone.
				Check wiring to device.
				Check heater resistance on device.
V1 #	Low CAN Voltage, MZLP _	Alarm	Bad or overloaded power supply	Verify power supply voltage is 24 VDC. If voltage is low, disconnect the power lines and re-check voltage reading. If voltage is still low, replace power supply. If voltage is correct after disconnecting the power lines.  Connect items one at a time until the voltage drops to isolate the bad module.
V1M#	Low Voltage Line AWB, Unit _	Deviation	The voltage to the AWB is below threshold	Verify transformer voltage top matches incoming voltage. Verify incoming voltage is correct.
V4 #	High CAN Voltage, MZLP _	Alarm	Bad or overloaded power supply	Verify power supply voltage is 24 VDC. If voltage is high, replace power supply unit.
V6M#	Wiring Error Line MZLP _	Alarm	Incoming power is wired incorrectly	Correct the Wiring.

Code	Description	Type	Cause	Solution
V8M#	No Line Voltage MZLP _	Alarm	Incoming line voltage is less than 100 VAC.	Verify transformer has the correct tap selected.
				Verify CB-1 or FU-4, FU-5, and FU-6 are not tripped/blown.
				Verify RCD-1 is not tripped.
				Measure incoming power with system unplugged. If line voltage is less than 100 VAC, contact qualified electrician to correct the low voltage.
				Verify the MZLP is plugged in at J2 and the AWB is plugged in at J5 or J6.
V4M#	AWB High Line Voltage	Alarm	Incoming voltage is too high	Check incoming voltage is correct for configuration.
				Verify the transformer has the correct tap (400, 480, 600) selected.
WJ1	Pump _ Solenoid is disconnected	Alarm	Pump is not turning on when it should	Verify harness is plugged into J13 of the daughter board. Verify it is secured to the solenoid.
				Replace Solenoid.
WJ2	Pump _ Solenoid High Current	Alarm	Solenoid is drawing too much current	Inspect for short in harness. Inspect for a shorted solenoid cable/short to the ground. Replace solenoid.
WSUX	Configuration Error USB	Advisory	USB configuration is not loaded	Install software.

## Ram Troubleshooting

Problem	Cause	Solution
Ram will not raise or lower.	Closed main air valve or clogged air line,	Open air valve; clear air line.
	Not enough Ram air pressure.	Increase Ram air pressure.
	Worn or damaged Ram piston.	Replace piston. See instruction manual 310523.
	Platen not fully up to temperature.	Wait for full temperature.
	Ram air pressure too high.	Decrease Ram air pressure.
	Dented drum has stopped Platen.	Fix or replace drum.
Ram raises or lowers too fast.	Ram "up / down" air pressure too high.	Decrease Ram air pressure.
Air leaks around cylinder rod.	Worn rod seal.	Replace o-rings in guide sleeve. See instruction manual 310523.
Fluid squeezes past Platen wipers.	Ram air pressure too high.	Decrease Ram air pressure.
	Worn or damaged wipers.	Replace wipers.
Pump will not prime properly, or pumps air.	Closed main air valve or clogged air line.	Open air valve; clear air line.
	Not enough air pressure.	Increase air pressure.
	Worn or damaged Ram piston.	Replace piston. See instruction manual 310523.
	Ram directional valve closed or clogged.	Open valve; clear valve or exhaust.
	Ram directional valve dirty, worn, or damaged.	Clean; repair valve.
	Directional valve not in the down position.	Position handle in the down position.
	Dented drum has stopped Platen.	Fix or replace drum.
Air pressure will not push Platen out of drum.	Closed main air valve or clogged air line.	Open air valve; clear air line.
	Platen not fully up to temperature.	Wait for full temperature.
	Not enough blow-off air pressure.	Increase blow-off air pressure.
	Blow-off valve passage clogged.	Clean valve passage.
	Dented drum has stopped Platen.	Fix or replace drum.
	Wipers bonded to drum or drum liner.	Lubricate wipers with high temperature grease at every drum change.

## Heated Pump Troubleshooting

See Pump manual for additional Pump troubleshooting information.

Problem	Cause	Solution
Rapid downstroke or upstroke (Pump cavitation).	Material not heated to proper temperature.	Check and adjust temperature to proper setpoint. Wait for Pump/Platen to heat up.
	Air is trapped in Pump.	Bleed air from Pump. See <b>Prime Pump</b> , page 31.
	Downstroke: Dirty or worn Pump intake valve.	Clean or repair. See Pump Manual.
	Upstroke: Dirty or worn Pump piston valve.	Clean or repair.
	Machine is out of material	Adjust empty level sensor.
Material leaks around Pump outlet.	Loose outlet fitting.	Tighten outlet fitting.
Material leaks around bleed port.	Loose bleed port fitting.	Tighten bleed port fitting.
Pump will not move up and down.	Problem with Air Motor.	See Air Motor Manual.
	Foreign object lodged in Pump.	Relieve pressure. See Pump Manual.
	Platen not fully up to temperature.	Wait for full temperature.
	Valve to Air Motor is off.	Check gauges and valves to the air motor.
Leak around Pump wet-cup.	Worn throat seals.	Replace throat seals. See Servicing the Throat packings in manual 334127 or 334128.

## Air Motor Troubleshooting

See Air Motor manual for additional Air Motor troubleshooting information. See **Related Manuals**, page 3.

Problem	Cause	Solution
Air motor will not run.	Air motor solenoid is off.	Wait for heat zones in use to reach temperature setpoint values.
Air motor stalled.	Damaged main air valve spool or poppets.	Inspect and clean poppets. See Air Motor Manual.
		Rebuild main air valve. See Air Motor Manual.
Air continuously exhausting around Air Motor shaft.	Damaged Air Motor shaft seal.	Replace Air Motor shaft seal. See Air Motor Manual.
Air continuously exhausting around air valve/slide valve.	Air valve/slide valve gasket is damaged.	Replace the valve gasket. See Air Motor Manual.
Air continuously exhausting from muffler when motor is idle.	Internal seal damage.	Rebuild Air Motor. See Air Motor Manual.
Icing on muffler.	Air motor operating at high pressure or high cycle rate.	Reduce pressure, cycle rate, or duty cycle of motor.

# Repair

## Replace Wipers

1. To replace a worn or damaged wiper (V) raise the Ram Plate up out of the drum. Perform steps 1 through 7 of **Change Drums**, page 37. See wiper kit manual for instructions about replacing the wipers.

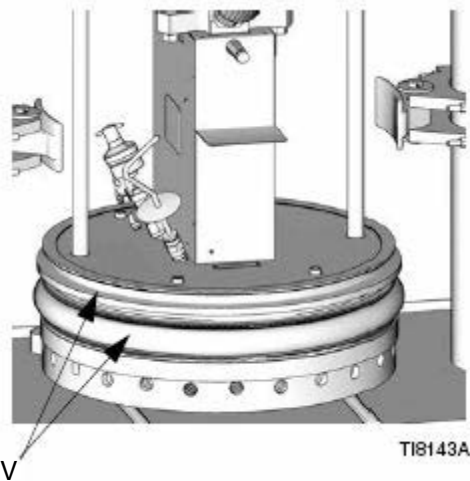


FIG. 25: Replace Wiper

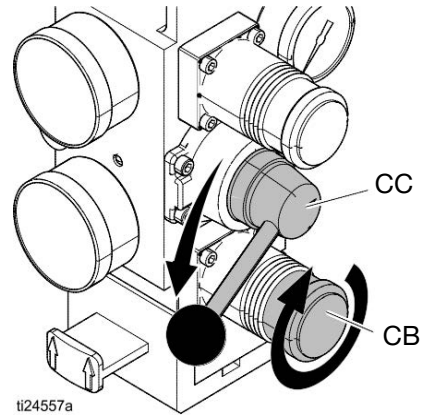
## Replace Platen RTD



Reference **Electrical Schematics**, page 61, for wiring connections.

1. If the material drum has already been removed from the supply unit, go to step 2. If you need to remove the material drum, see **Change Drums**, page 37.

2. Make sure the Ram Plate is down and the Ram Director Valve is in the OFF position.



To reduce the risk of injury or damage to equipment, make sure the Main Power Switch is OFF before continuing with this procedure.				

3. Turn the Main Power Switch OFF.



4. Remove the Pump cover.

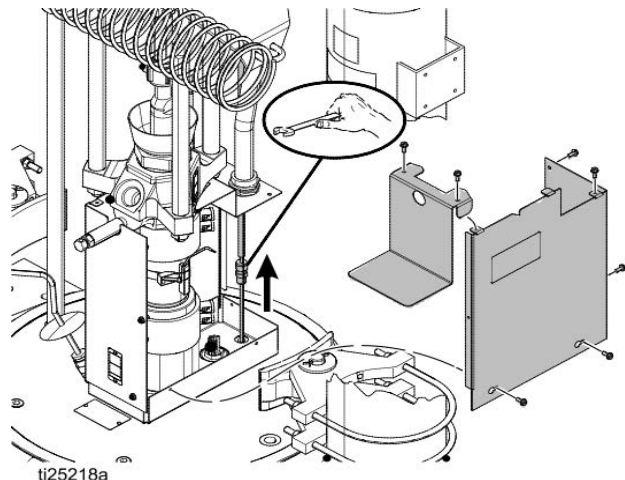
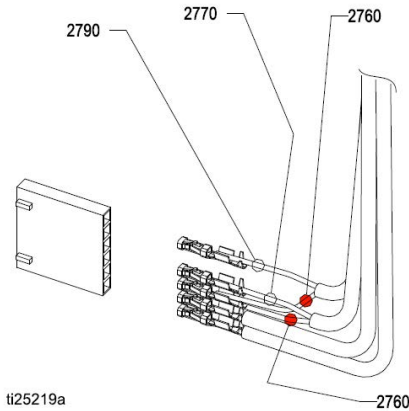


FIG. 26: Pump Covers and Platen RTD



5. Remove the Platen RTD (605) from the Platen.
6. Disconnect the Platen RTD wires from pin 3 and pin 6 from the J5 connector on MZLP MZTCM-1 or MZTCM-5.



**FIG. 27: RTD Wire Connections**

2760	Red
2770	White
2790	White

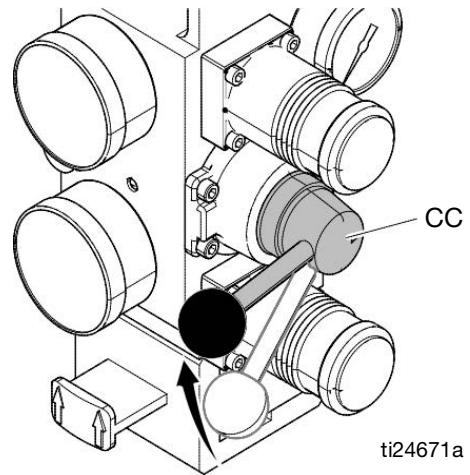
7. Attach the leads from the new sensor to the leads of the old sensor and pull the new sensor leads through the cable pump shield, Cable Track, and into the Electrical Enclosure.
8. Install the new sensor (605) into the follower/tire plate after coating with non-silicone heat sink compound. Tighten compression nut. Ensure RTD is fully inserted.
9. Connect the red and white wires from the new sensor to the J5 connector on MZLP MZTCM-1 or MZTCM-5.
10. Replace the Pump covers.

## Separate the Air Motor and Pump



This procedure must be done with the unit still warm. The material and equipment will be hot!

1. If the material drum has already been removed from the supply unit, go to step 2. If you need to remove the material drum, perform steps 1 through 6 of the **Change Drums** section, page 37. Pump must be in the full down position (Air Motor shaft fully extended).
2. Make sure the Ram Plate is down and the Ram Director Valve (CC) is in the neutral position.



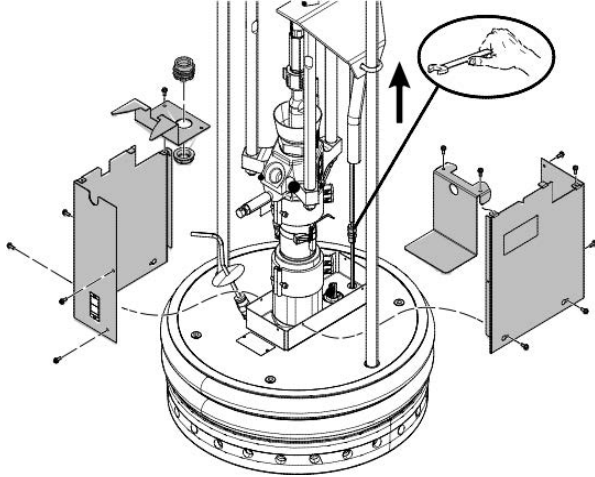
3. Follow **Pressure Relief Procedure** on page 34.
4. Bleed off excess material and pressure in the system by opening the dispense gun and catching the material in a waste container.
5. On the ADM, turn off the system heat (D).
6. Turn the Main Power Switch OFF.



7. Disconnect all material hoses.

## Repair

8. Remove the Pump sheet metal enclosure.
  - a. Remove the cover screws.
  - b. Remove the heater bands and disconnect the ground wire.



9. If vent hood is installed, remove it.
10. Remove the Air Motor top cover.
11. Disconnect the electrical cable from the Air Motor.
12. Remove air line from Air Motor and air lines to the follower blow-off valve.
13. Tightly strap the Air Motor to the tie bar with a cable through the Air Motor lift ring and around the tie bar. See FIG. 29, page 52.
14. Loosen u-bolts (X) from Platen lift rods.
15. Remove nuts (F) from Heated Pump/Air Motor stand-off rods at the Pump end.
16. Remove nuts (Z) and bolts holding cable track to Air Motor support plate.
17. Slide end of Cable Track outboard of the mounting plate.
18. Remove nuts (N) from follower lift rods.
19. Fully loosen Pump rod coupler to the Air Motor rod (G).
20. Slowly raise elevator to achieve enough separation of the Pump (Air Motor) tie rods to remove the Pump.
21. Remove the Pump.
22. Reverse this procedure to reinstall the new or rebuilt Air Motor.

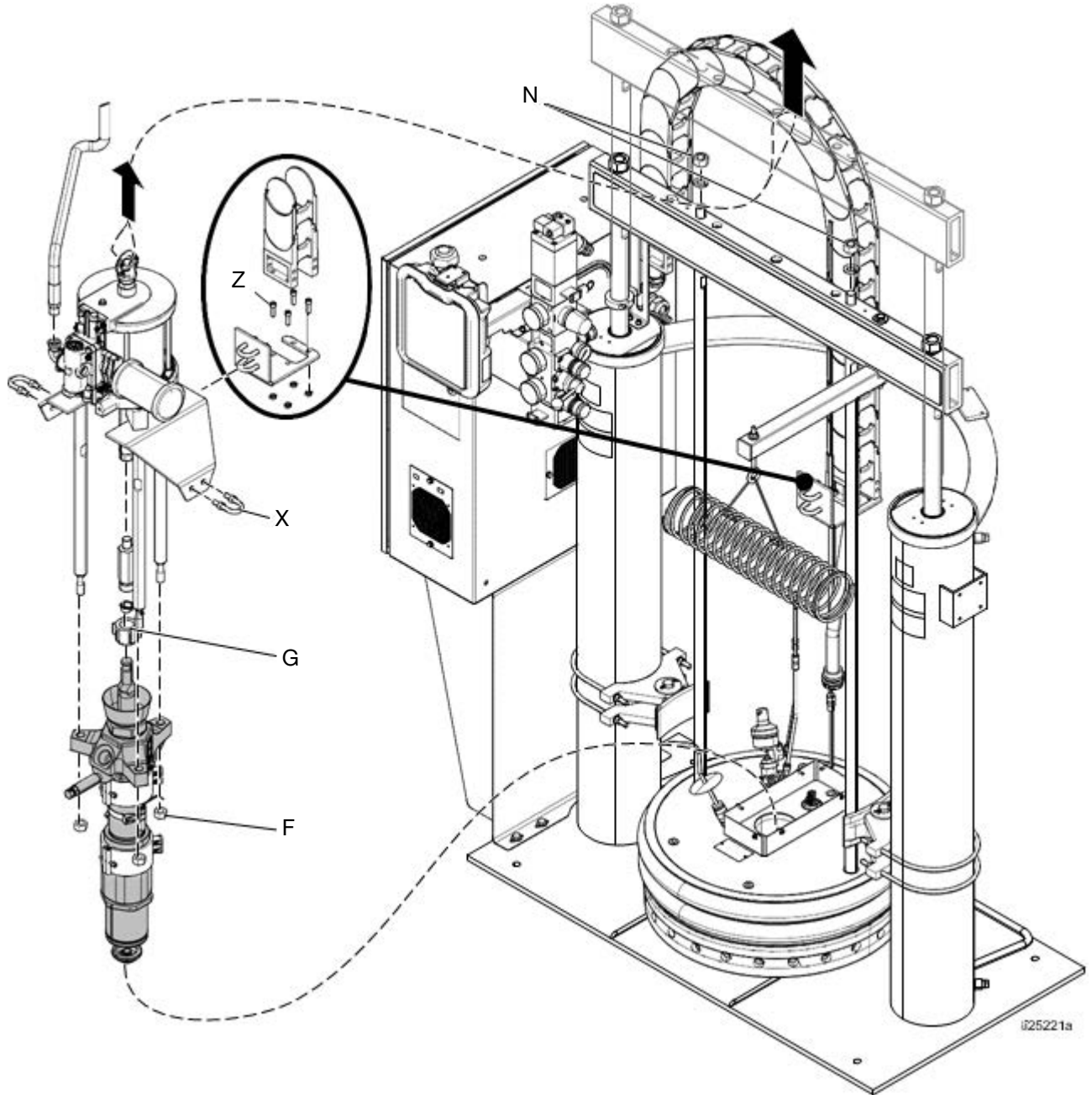


FIG. 28

## Remove Platen



1. Turn the Main Power Switch OFF.
2. Disconnect the Platen power wires and the ground wire from within the main control panel and pull out of conduit.
3. Remove the Platen assembly from the Ram.
4. Reverse this procedure to reinstall the new or rebuilt Platen assembly.

## Replace Heater Band and Pump RTD

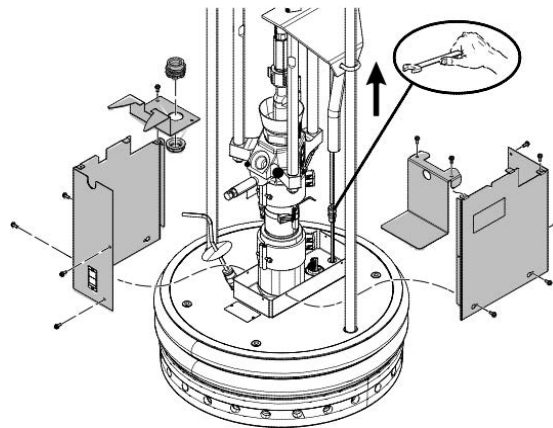


### Replace Heater Band

1. If the material drum has already been removed from the supply unit, go to step 2. If you need to remove the material drum, perform steps 1 through 6 of the **Change Drums**, page 37. Pump must be in the full down position (Air Motor shaft fully extended).
2. Make sure the Ram Plate is down and the Ram Director Valve is in the neutral position.
3. Follow the **Pressure Relief Procedure**, page 34.
4. Bleed off excess material and pressure in the system by opening the applicator and catching the material in a waste container.
5. On ADM, turn off the system heat (D).
6. Turn the Main Power Switch OFF.



8. Remove the screws and covers.



9. Remove white ceramic caps and disconnect the electrical wires from the heater band (309).
10. Remove the screw that holds the heater band in place.
11. Remove the heater band (309a, 309b) from the Pump.
12. Coat the inside of the heater with non silicone heat sink compound before mounting. Maximum thickness is 0.005 in. Coat only to within 3/4 in. of vertical ends.
13. Install a new heater band (309a, 309b) in the same location as the old heater band:
  - a. Locate heater terminals so they line up with the back of the Pump.
  - b. Tighten the heater band.
  - c. Re-connect the heater wires and re-attach the ceramic caps that insulate the terminal.

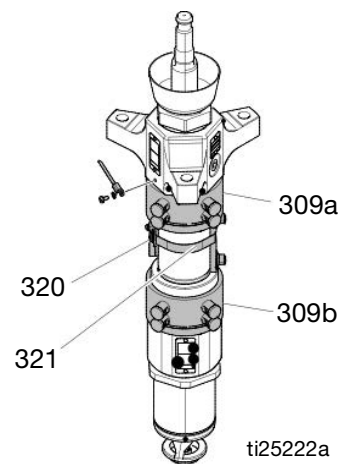


FIG. 29

### Replace Pump RTD

1. Turn the Main Power Switch OFF.



2. Remove the screws that hold the front shroud in place and remove the front shroud.
3. If the sensor wire is connected to the Electrical Enclosure, disconnect it.
4. Loosen the clamp (321) holding the sensor on the Pump.
5. Tie the leads of the new sensor (320) to the old sensor and remove the old sensor. The leads of the new sensor will be easily drawn through the conduit for reconnecting.
6. Replace the sensor (320) in the clamp (321):
  - a. Place the sensor approximately 30° counter clock-wise from the Pump outlet.
  - b. Tighten the clamp (321).
7. Re-connect the sensor wire to the Electrical Enclosure.

### Replace MZLP Fuse



Each MZLP module comes with the following fuses:

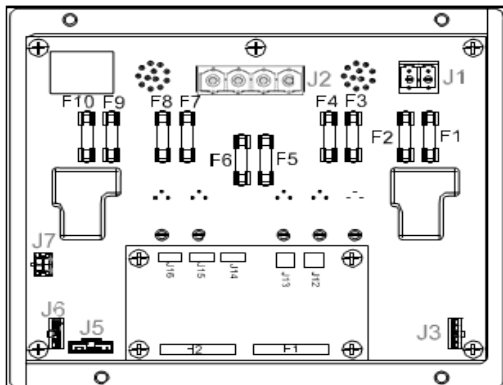


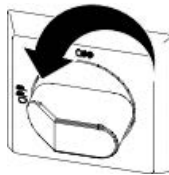
FIG. 30: Fuse Locations

Fuse Kit	Fuse	Part
24V289	F1, F2	250VAC, 25A, long, white ceramic
	F3-F10	250VAC, 8A, fast acting, clear glass
		Spare fuse kit included with system.

**NOTICE**

To prevent system damage, always use fast acting fuses. Fast acting fuses are required for short-circuit protection.

1. Turn the Main Power Switch OFF.



2. Open Electrical Enclosure door.
3. Use a proper non-conductive fuse puller tool to remove the blown fuse.

**NOTICE**

Using an improper tool, such as screw drivers or pliers, may break the glass on the fuse.

**NOTE:** F1 and F2 are white ceramic and indicate 25A on the barrel.

**NOTE:** F3-F10 are clear glass and indicate 8A on the barrel.

4. Use a proper non-conductive fuse puller tool to install the new fuse.

**NOTICE**

Using an improper tool, such as screw drivers or pliers, may break the glass on the fuse.

5. Close the Electrical Enclosure.

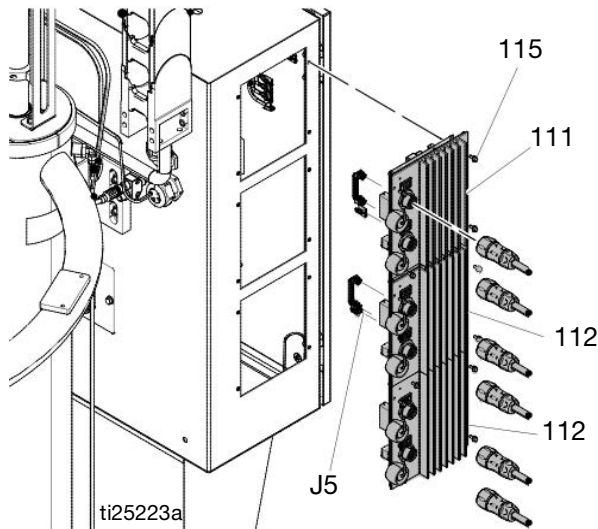
## Replace MZLP



1. Turn the Main Power Switch OFF.



2. Disconnect the heated hose electrical connectors from the MZLP (111 or 112).
3. Note the location of each cable, then unplug all cables from the MZLP (111 or 112) that will be replaced.
4. Remove the four screws (115) securing the MZLP (111 or 112) to the Electrical Enclosure, then carefully remove the MZLP from the Electrical Enclosure.



**FIG. 31: MZLP Identification**

5. Replace MZLP.
  - a. To replace MZLP #1, remove the daughter card and standoffs, and re-install them on the new MZLP #1.
  - b. To replace MZLP #2 of #3, remove the jumper (162) from MZLP #2 or #3 J5 connector and reinstall it on the new MZLP J5 connector.

6. To reassemble the MZLP, set the MZLP rotary switch based on location. See MZLP Rotary Switch Table.
7. Use the four screws (115) to install MZLP (111 or 112) to Electrical Enclosure.
8. Reconnect the cables to the MZLP.

**NOTE:** Do not force the electrical connection. Minimal force is required to seat the connector. If resistance is felt, stop and verify the connector orientation.

**NOTE:** If unable to determine the connector location, see **Electrical Schematics**, page 61.

9. Connect the heated hose electrical connectors to the new MZLP.

**NOTE:** The MZLP may need updated software. See **Update Software**, page 60.

**Table 10 MZLP Rotary Switch**

MZLP	System	Rotary Switch
#1 with Daughter Card	Primary	1
	Secondary	5
#2	Primary	2
	Secondary	6
#3	Primary	3
	Secondary	7

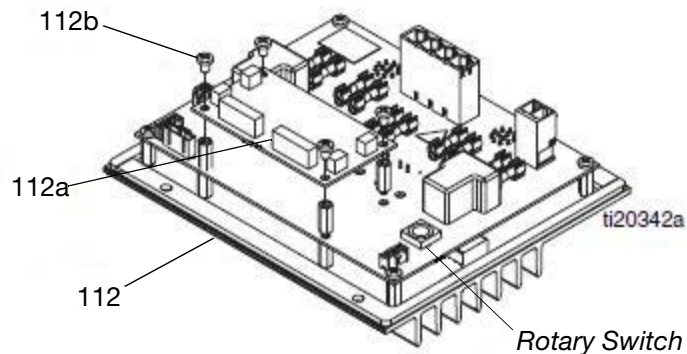
## Replace MZLP Daughter Card



1. Turn the Main Power Switch OFF.



2. Note the location of each cable, then unplug all cables from the MZLP daughter card on MZLP #1 (112).
3. Remove the four mounting screws (112b) from the daughter card (112a) and set aside.
4. Unplug the daughter card (112a) from MZLP #1 (112).



**FIG. 32: MZLP Daughter Card**

5. Plug the new daughter card (112a) into the MZLP (112).
6. Use the screws (112b) to secure the daughter card to the MZLP (112).
7. Connect the cables to the new daughter card (112a).

**NOTE:** Do not force the electrical connection. Minimal force is required to seat the connector. If resistance is felt, stop and verify the connector orientation.

**NOTE:** If unable to determine the connector location, see **Electrical Schematics**, page 61.

## Replace AWB

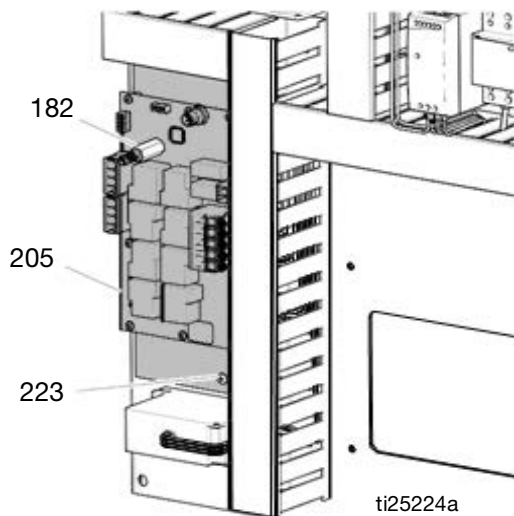


1. Turn the Main Power Switch OFF.



2. Note the location of each cable, then unplug all cables from the AWB (205).

**NOTE:** For an AWB on a secondary system, remove the connector (182) and connect to the new AWB.



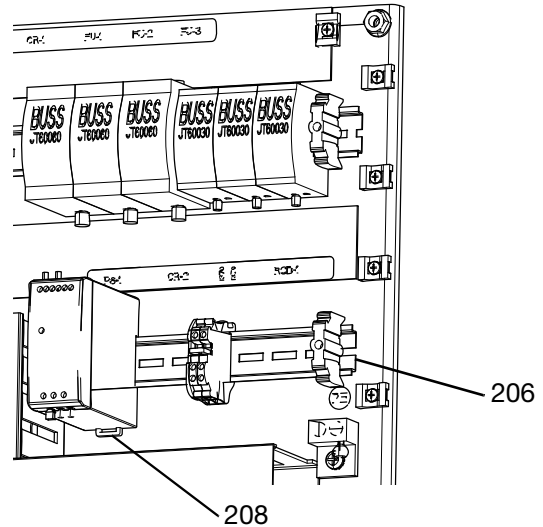
**FIG. 33: AWB Connections**

3. Remove the two screws (223) securing the AWB (205) to the electrical panel, then carefully remove the AWB.
4. Install the new AWB (205) and reconnect the cables.

**NOTE:** Do not force the electrical connection. Minimal force is required to set the connector. If resistance is felt, stop and verify the connector orientation.

**NOTE:** See **Electrical Schematics**, page 61, if unable to determine the connector location.

## Replace Power Supply



1. Turn the Main Power Switch OFF.



2. Open the Electrical Enclosure.
3. Remove the power supply (208) from the din rail (206). Disconnect the screw terminal connections between the power supply and the power supply harness.

Power Supply Connection	Harness Label
V+	V+
V-	V-
GND	GND
L	L
N	N

4. Connect the power supply harness to the new power supply.
5. Reattach the power supply to the din rail (206).
6. Torque terminals to 4.53-6.2 in-lbs (0.5-0.7 N•m).
7. Close the Electrical Enclosure door.



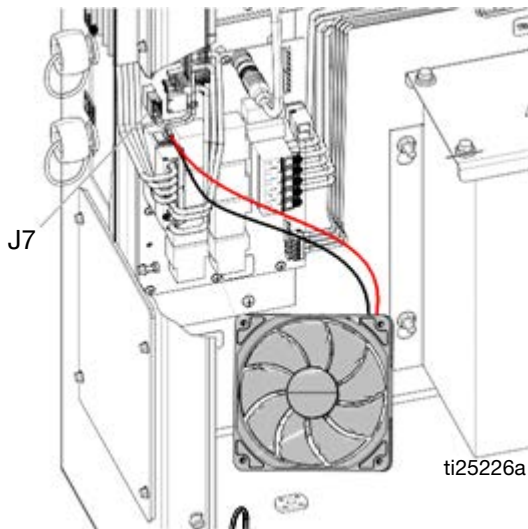
## Replace Fan



1. Turn the Main Power Switch OFF.

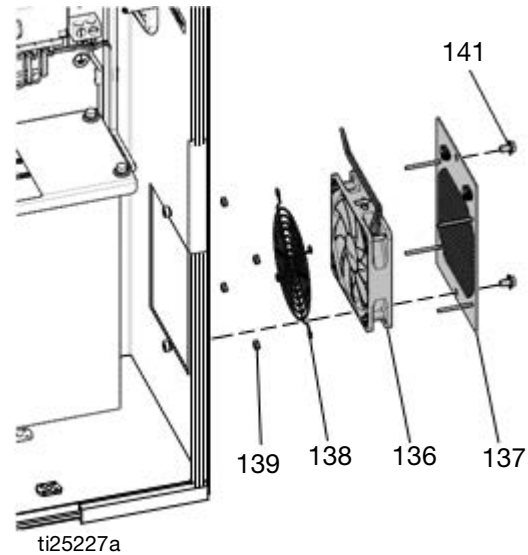


2. Disconnect the plug from the power outlet or turn off the circuit breaker for incoming power.
3. Open the Electrical Enclosure door.
4. Remove the connector from the J7 connector on the AWB board. Remove the red (+) and black (-) fan wires from the connector.



5. Cut any cable ties between the end of the fan wires to the fan (136).

6. Remove the screws (141), grill (137), four nuts (139), rear fan grill (138), and fan (136).



7. Mount the new fan (136), rear fan grill (138), and nuts (139) on the grill (137) with the arrow pointing toward the grill (137).
  8. Tie down the fan wires onto the tie down locations on the grill (137) using cable zip ties.
  9. Route the fan wires into the Electrical Enclosure. Connect the red and black fan wires to the J7 connector. Reconnect the J7 connector to the AWB. Use cable ties to secure the fan wires to other cables in the electrical enclosure.
- NOTE:** To prevent fan errors on the ADM, remove the excess slack and ensure that the cabling and zip ties do not contact the fan blades.
10. Reinstall the fan grill (137) and close the Electrical Enclosure.

## Replace Transformer



See FIG. 34, page 59.

1. Turn the Main Power Switch OFF.



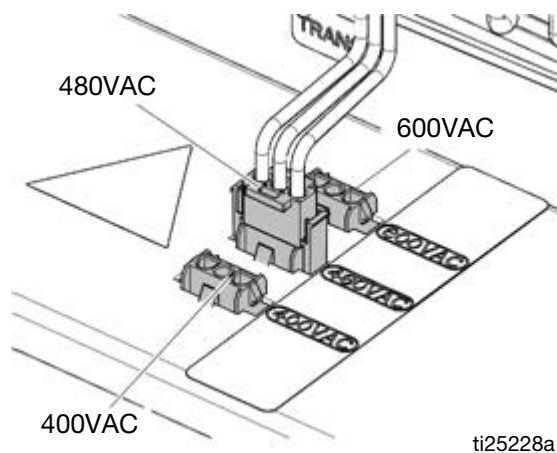
2. Open the Electrical Enclosure door.
3. Disconnect the incoming power harness (234) from the top of the transformer (235).
4. Disconnect the transformer (235) output power harness wires (CR2-W1, -W2, -W3, -W4) from CR2.
5. Disconnect the transformer (235) ground wire from the back panel ground lug.
6. Disconnect the red (+) and black (-) wire of the fan from pins 4 and 3 of the J7 connector on the AWB (205). Disconnect the J7 connector from the AWB.
7. Cut the wire zip ties securing the fan wires.
8. Remove the flanged nuts (N) and transformer (235) from the back panel (201).
9. Install the transformer (235) onto mounting studs on the back panel (201) and secure with flanged nuts (N).
10. Insert the thermal sensor connector from the transformer (235) onto the J7 connector on the AWB (205).
11. Reconnect the red (+) wire from the fan into pin 4 and the black (-) wire into pin 3 of the J7 connector.
12. Install the transformer (235) ground wire onto the ground lug of the back panel (201).

13. Connect transformer output power harness (234) to power terminal connections. Torque to 25–27 in-lbs (2.8–3.1 N•m).

**Table 11 Transformer Output Power Harness Connections**

Power Harness Wires	CR-2 Connections
CR2-W1	Terminal 1
CR2-W2	Terminal 3
CR2-W3	Terminal 5
CR2-W4	Terminal 13

14. Install the incoming power harness (234) to the top of the transformer in the voltage port specified on the machine serial number label.



15. Verify all electrical connections, including earth grounds, are complete and tight. All connections and plugs must be connected prior to applying power.
16. Close the Electrical Control Panel door.
17. Apply power to the machine. Turn on the Main Power Switch.
18. Restart the system.

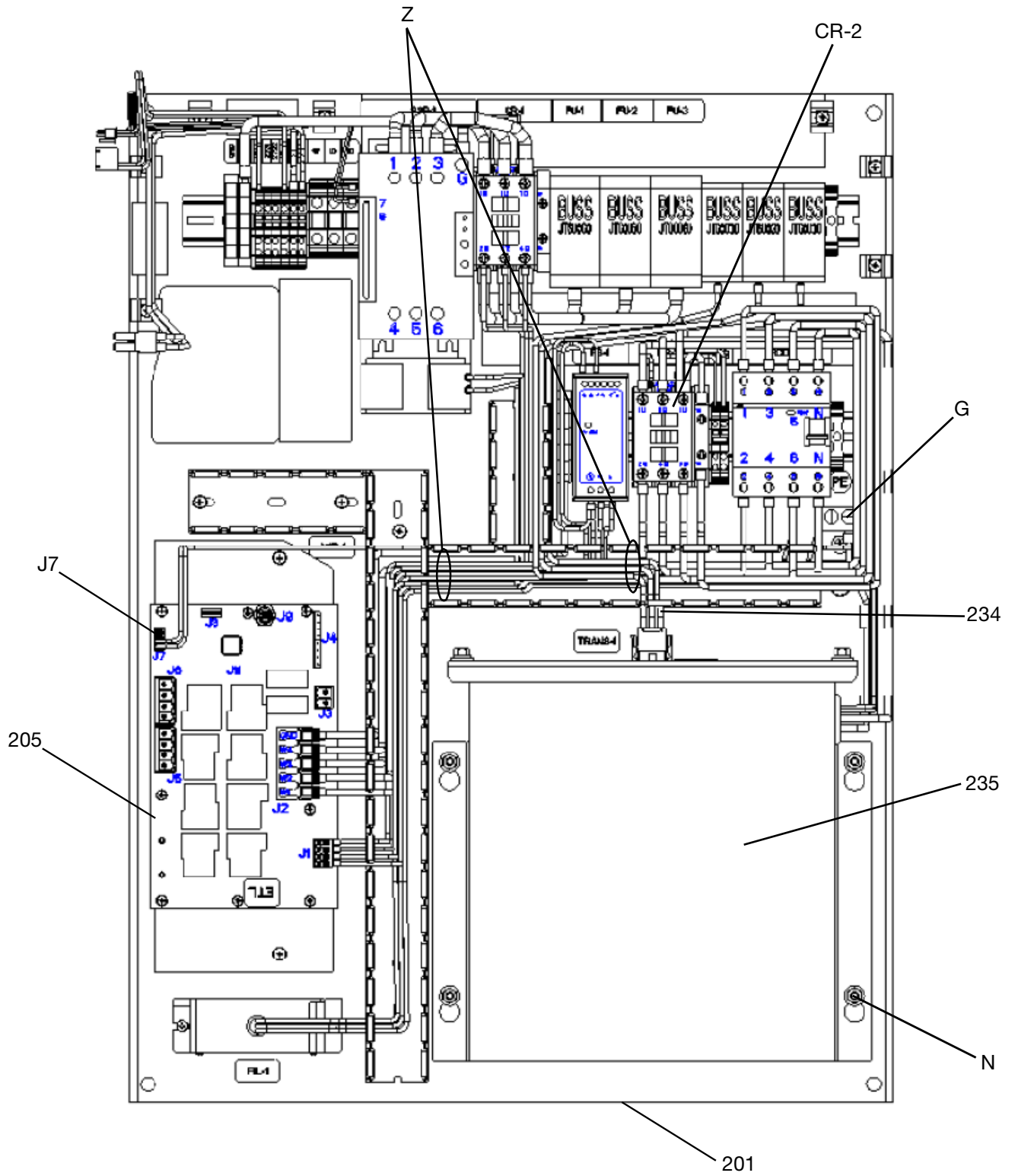
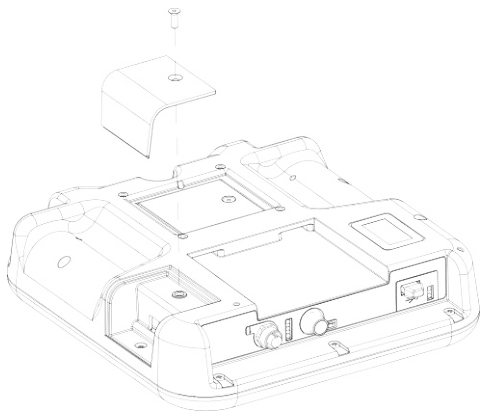


FIG. 34: Inside of Electrical Control Enclosure

## Update Software

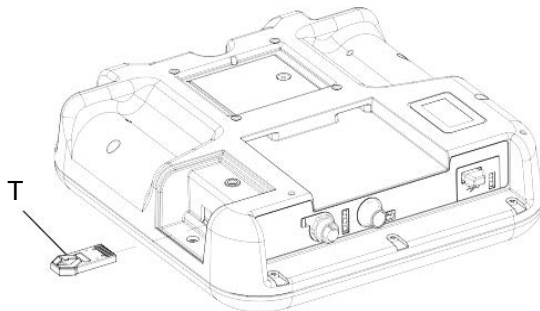
When software is updated on the ADM, the software is then automatically updated on all connected GCA components. A status screen is shown while software is updating to indicate progress.

1. Turn the system Main Power Switch OFF.
2. Remove the ADM from the bracket.
3. Remove the token access panel.



4. Insert and press the software upgrade token (T) firmly into the slot.

**NOTE:** There is no preferred orientation of the token.



5. Install the ADM into the bracket.
6. Turn the system Main Power Switch ON.


### NOTICE

A status is shown while software is updating to indicate progress. To prevent corrupting the software load, do not remove the token until the status screen disappears.

**NOTE:** When the Screen turns on, you will see the following screens:

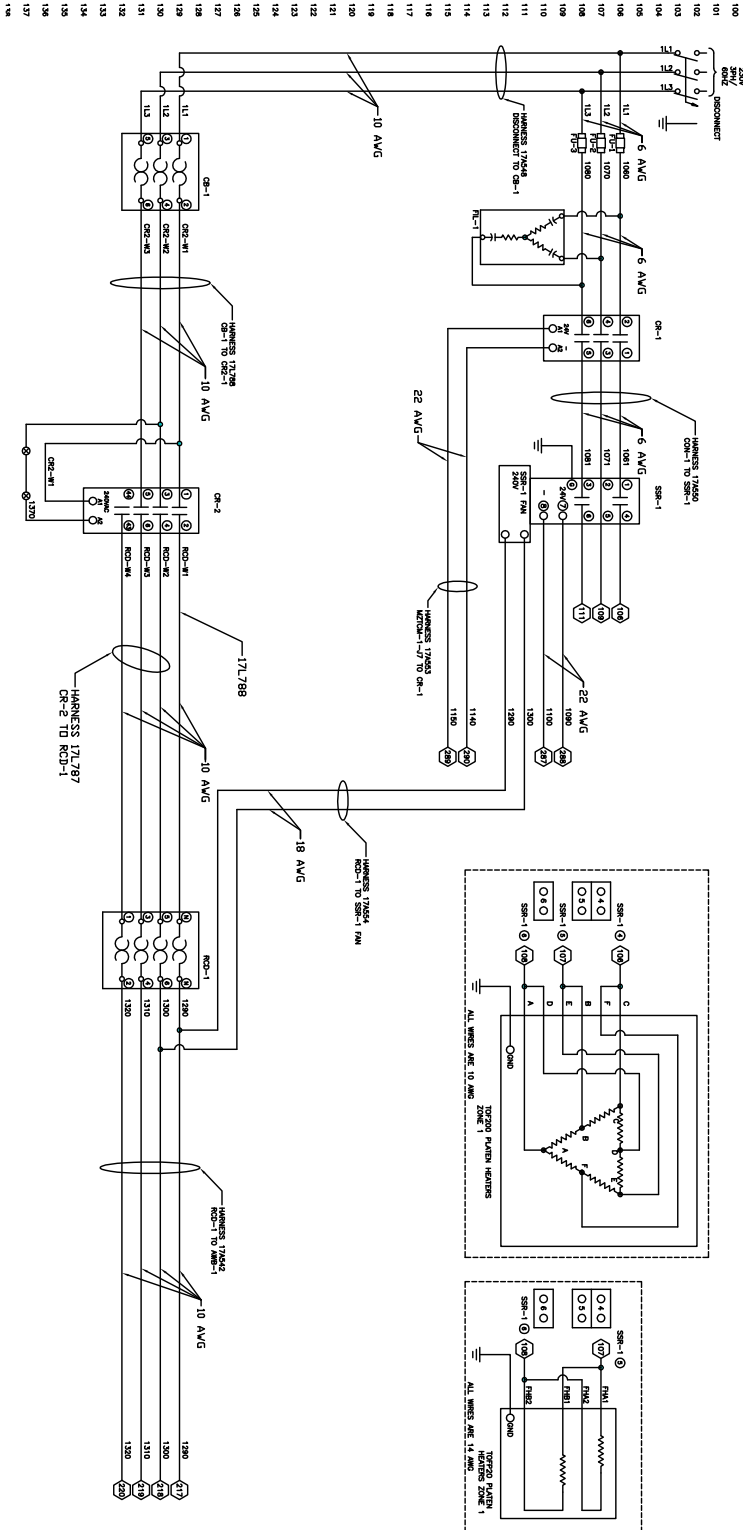
<p><b>First:</b></p> <p><i>Software is checking which GCA modules will take the available updates.</i></p>	
<p><b>Second:</b></p> <p><i>Status of the update with approximate time until completion.</i></p>	
<p><b>Third:</b></p> <p><i>Updates are complete. Icon indicates update success/failure. See the following Icon table.</i></p>	

Icon	Description
	Update successful.
	Update unsuccessful.
	Update complete, no changes necessary.
	Update was successful/complete, but one or more HCA modules did not have a CAN boot-loader, so software was not updated on that module.

7. Remove the token (T).
8. Replace the token access panel.
9. Press  to continue to the operation screens.

# Electrical Schematics

## 230V, 3 Phase/60Hz



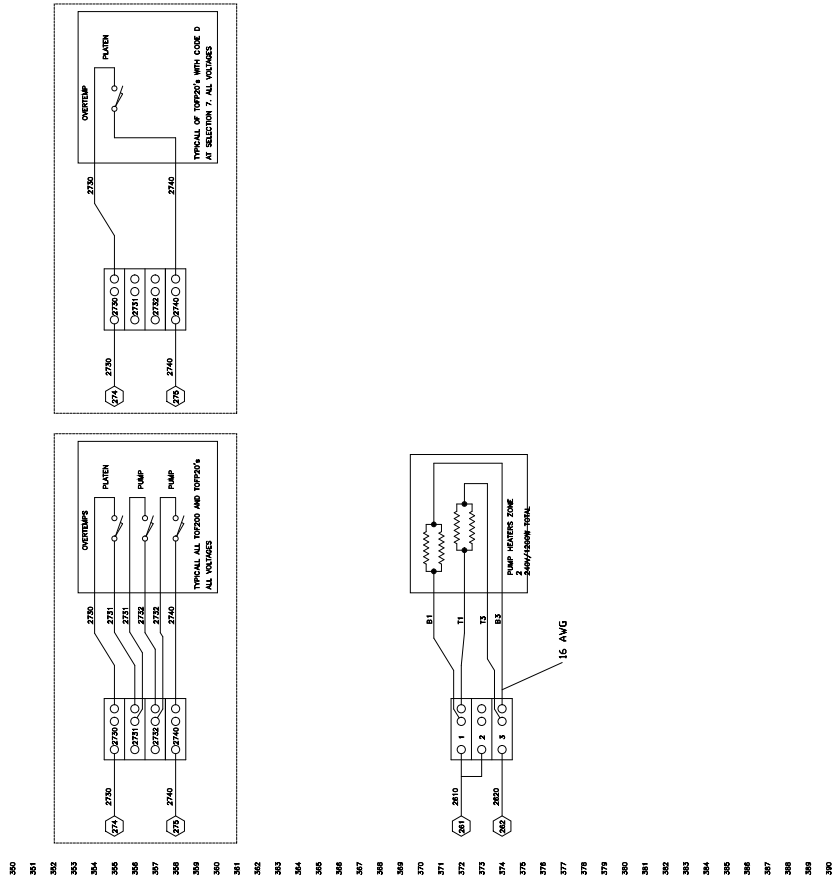








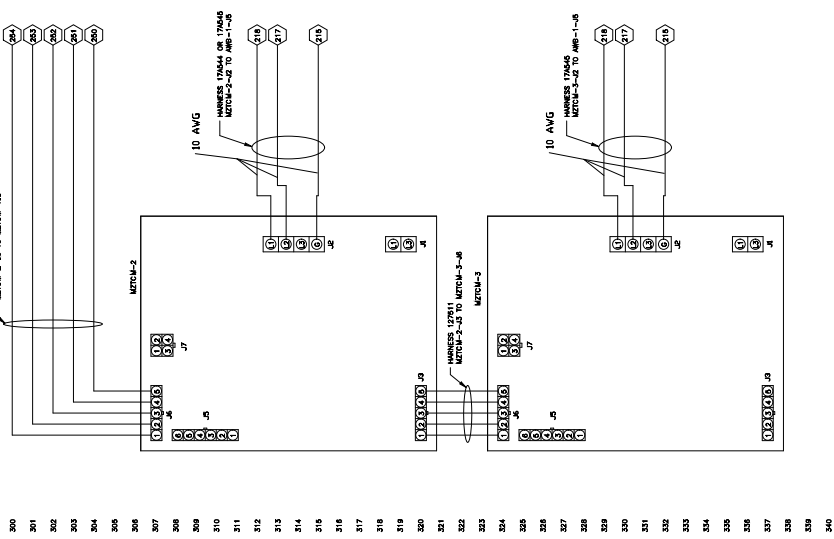
# MZLP#2, MZLP#3, Overtemp, and Pump Heaters



H REVISED SHEET 3  
 G REVISED PUMP WIRING  
 F SEE SHEET 1  
 E SEE SHEETS 1 AND 2  
 D SEE SHEETS 1,2,3  
 C SEE ECO  
 B SEE ECO  
 A RELEASED

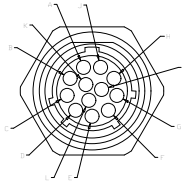
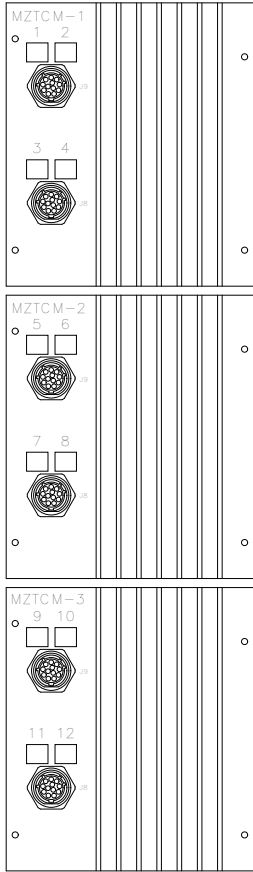
Z08140 3/20/00  
 Z097248 02/04/01  
 Z084548 02/04/01  
 Z084075 02/04/01  
 Z022531 01/17/01  
 Z091443 02/04/01  
 Z090016 02/04/01  
 Z081148 02/04/01

AS27N



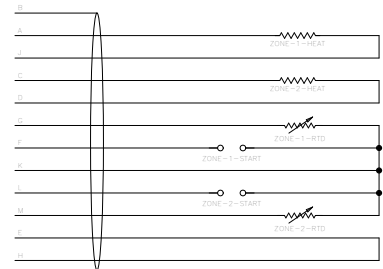
# MZLP Zones

400  
401  
402  
403  
404  
405  
406  
407  
408  
409  
410  
411  
412  
413  
414  
415  
416  
417  
418  
419  
420  
421  
422  
423  
424  
425  
426  
427  
428  
429  
430  
431  
432  
433  
434  
435  
436  
437  
438  
439  
440



TYPICAL ZONE PIN OUT		
Zone Code	Pin #	Function
MZTCM-1 J9	A	ZONE 1-RTD
	B	SHIELD
	C	ZONE 1-RTD
	D	ZONE 1-RTD
	E	ZONE 1-RTD
	F	ZONE 1-START
	G	ZONE 1-RTD
	H	SHIELD
	I	ZONE 1-RTD
	J	ZONE 1-RTD
	K	RTD 5-CELL
	L	ZONE 5-START
MZTCM-1 JB	A	ZONE 1-RTD
	B	SHIELD
	C	ZONE 1-RTD
	D	ZONE 1-RTD
	E	ZONE 1-RTD
	F	ZONE 1-START
	G	ZONE 1-RTD
	H	SHIELD
	I	ZONE 1-RTD
	J	ZONE 1-RTD
	K	RTD 5-CELL
	L	ZONE 5-START
MZTCM-2 J9	A	ZONE 1-RTD
	B	ZONE 1-RTD
	C	ZONE 1-RTD
	D	ZONE 1-RTD
	E	ZONE 1-RTD
	F	ZONE 1-START
	G	ZONE 1-RTD
	H	SHIELD
	I	ZONE 1-RTD
	J	ZONE 1-RTD
	K	RTD 5-CELL
	L	ZONE 5-START
MZTCM-2 JB	A	ZONE 1-RTD
	B	SHIELD
	C	ZONE 1-RTD
	D	ZONE 1-RTD
	E	ZONE 1-RTD
	F	ZONE 1-START
	G	ZONE 1-RTD
	H	SHIELD
	I	ZONE 1-RTD
	J	ZONE 1-RTD
	K	RTD 5-CELL
	L	ZONE 5-START
MZTCM-3 J9	A	ZONE 1-RTD
	B	SHIELD
	C	ZONE 1-RTD
	D	ZONE 1-RTD
	E	ZONE 1-RTD
	F	ZONE 1-START
	G	ZONE 1-RTD
	H	SHIELD
	I	ZONE 1-RTD
	J	ZONE 1-RTD
	K	RTD 5-CELL
	L	ZONE 5-START
MZTCM-3 JB	A	ZONE 1-RTD
	B	SHIELD
	C	ZONE 1-RTD
	D	ZONE 1-RTD
	E	ZONE 1-RTD
	F	ZONE 1-START
	G	ZONE 1-RTD
	H	SHIELD
	I	ZONE 1-RTD
	J	ZONE 1-RTD
	K	RTD 5-CELL
	L	ZONE 5-START
M	ZONE 10-RTD	

TYPICAL ZONE PIN OUT



H REVISED SHEET 3 Z098180 06/01/15  
 G SEE SHEET 1 Z097266 02/01/15  
 F SEE SHEET 1 Z095498 23MAR15  
 E SEE SHEETS 1 AND 2. Z093615 12/04/14  
 D SEE SHEETS 1,2,3 Z092531 10/17/14  
 C SEE ECO Z091443 08/29/14  
 K REVISED SHEETS 2,3, & 4 Z106725 06/07/16 B SEE ECO Z090616 07/22/14  
 J SEE SHEET 1 Z104520 11MAR16 A RELEASED A257M Z090146 06/24/14

# Parts

Part numbers for replacement items on two identical systems with the same model features may differ slightly based on when they were built. When it is necessary to change components during the construction of the Therm-O-Flow<sup>®</sup> 200 that are not interchangeable with previous models the series letter in the model number will change. For parts affected by this series change, the parts list will have notes indicating which part number applies to which series letter.

The system ID label is located on the control panel and contains the full model number including the series number. See **Models** on page 7 for reference. The service label is located on the upper left corner of the control panel and contains a QR code that will link to the Therm-O-Flow<sup>®</sup> products page of [help.graco.com](http://help.graco.com). This website gives you access to current manuals and additional support materials for the Therm-O-Flow<sup>®</sup> system as well as other Graco products.

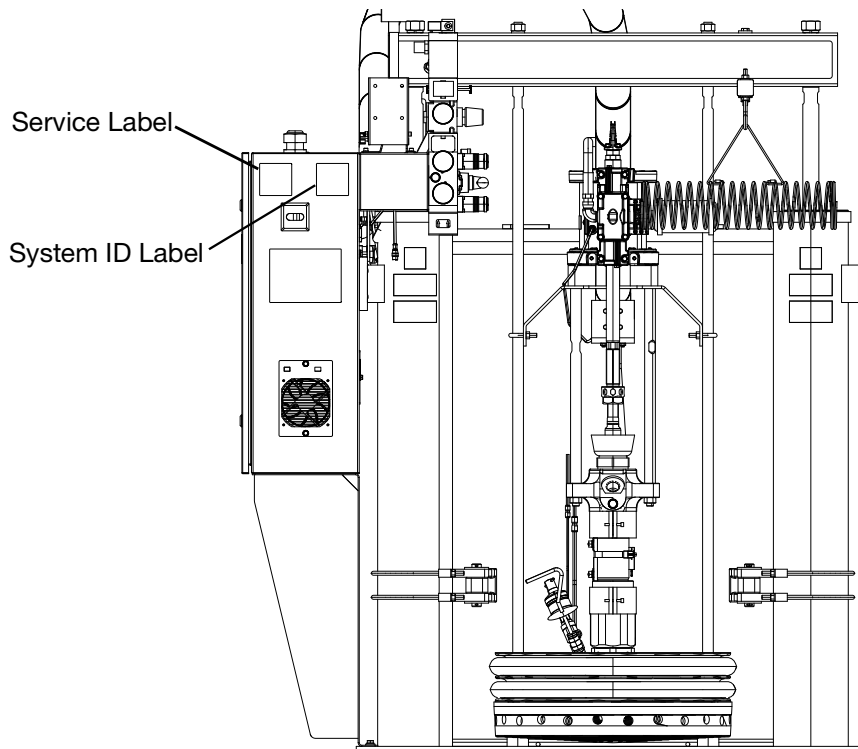
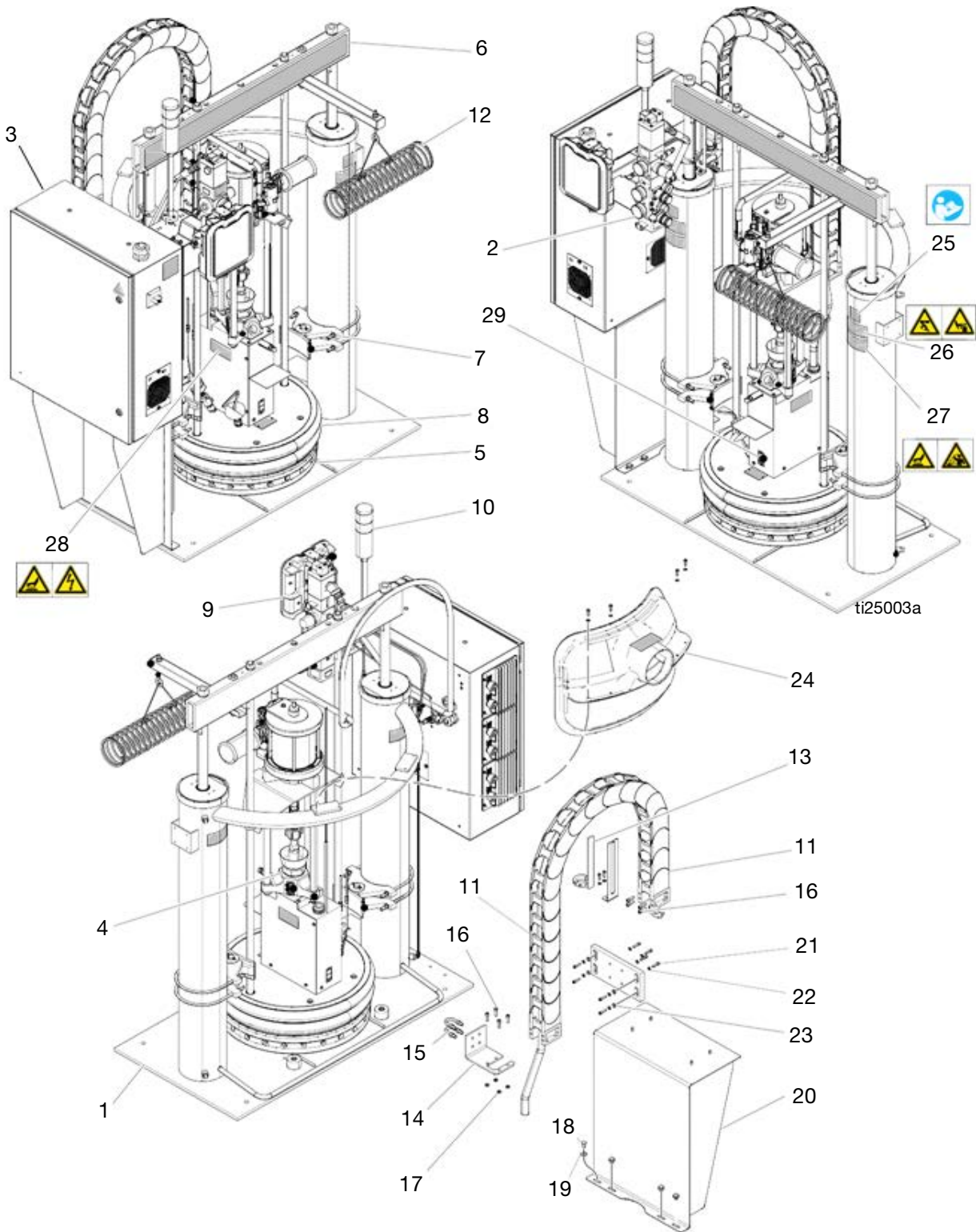


FIG. 35

# Therm-O-Flow 200 Supply Unit

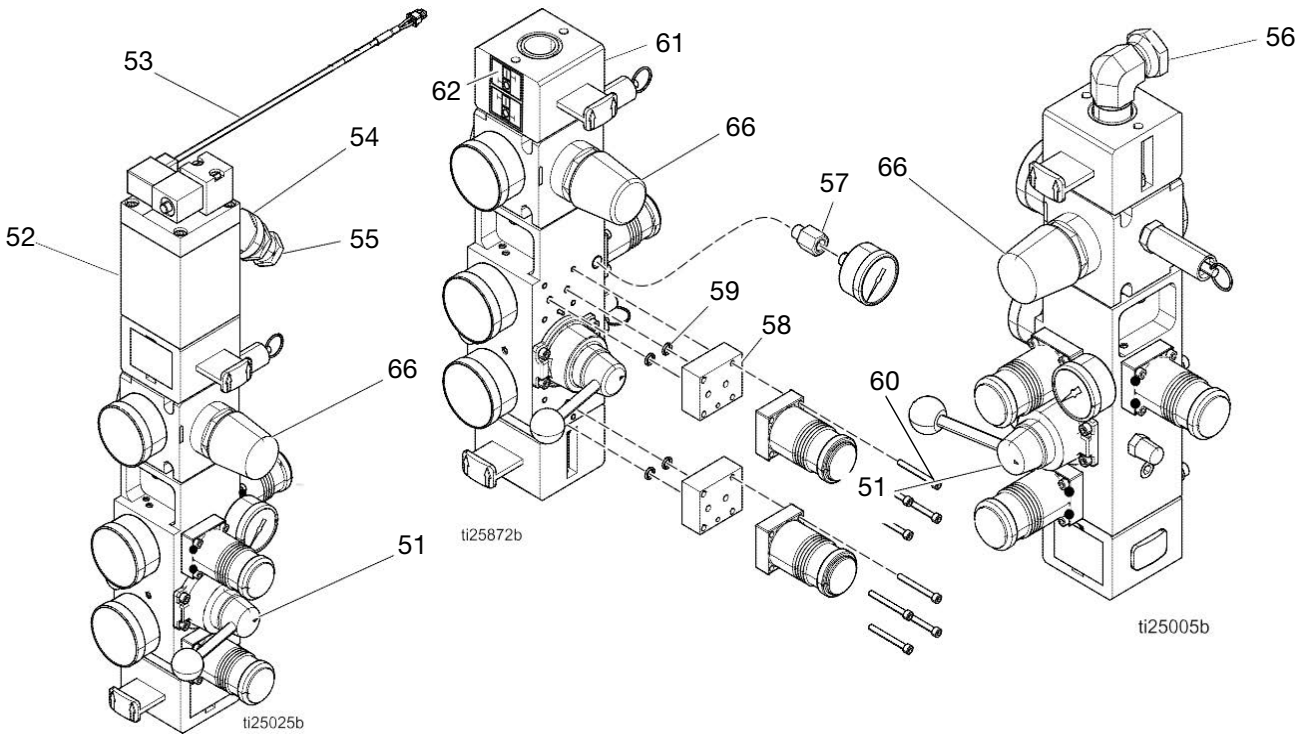


## Therm-O-Flow 200 Supply Unit

Ref	Part	Description	Qty	Ref	Part	Description	Qty
1	---	Frame	1	15	120186	BOLT, mounting, u-bolt	2
2	24W870	KIT, air controls; see <b>Air Control Assembly</b> , page 70	1	16	101864	SCREW, cap, sch	8
3	---	CONTROL, electrical	1	17	111303	NUT, hex	4
4	---	MODULE, pump; see <b>Pump Modules</b> , page 78	1	18	100575	SCREW, cap, hex hd	4
5	---	PLATEN; see <b>Heated Platens</b> , page 85	1	19	100023	WASHER, flat	4
6	---	RAM; see ram manual	1	20	---	BRACKET, mounting, enclosure	1
7	---	CLAMP, drum; see <b>Drum Ram Post Saddle Clamp</b> , page 88	1	21	100643	SCREW, cap, sch	4
8	---	SEALS, see manual 309196	1	22	100016	WASHER, lock	4
9	24W812	ADM	1	23	110755	WASHER, plain	4
10	24W589	KIT, light tower (optional); see <b>Accessories and Kits</b> , page 92	1	24	233559	KIT, vent hood (optional); see <b>Accessories and Kits</b> , page 92.	1
11	253288	CABLE, track, IGUS	1	25▲	15J076	LABEL, warning, instructions	2
12	234966	KIT, hose hanger	1	26▲	15J074	LABEL, warning; moving objects, pinch	4
13	24V745	SENSOR, level, low/empty	1	27▲	15H668	LABEL, warning; hot surface, splatter	2
14	15H543	BRACKET, mounting	1	28▲	15J075	LABEL, warning; hot surface, shock	2
				29▲	184090	LABEL, warning	1

▲ Replacement Warning Labels, signs, tabs, and cards are available at no cost.

# Air Control Assembly



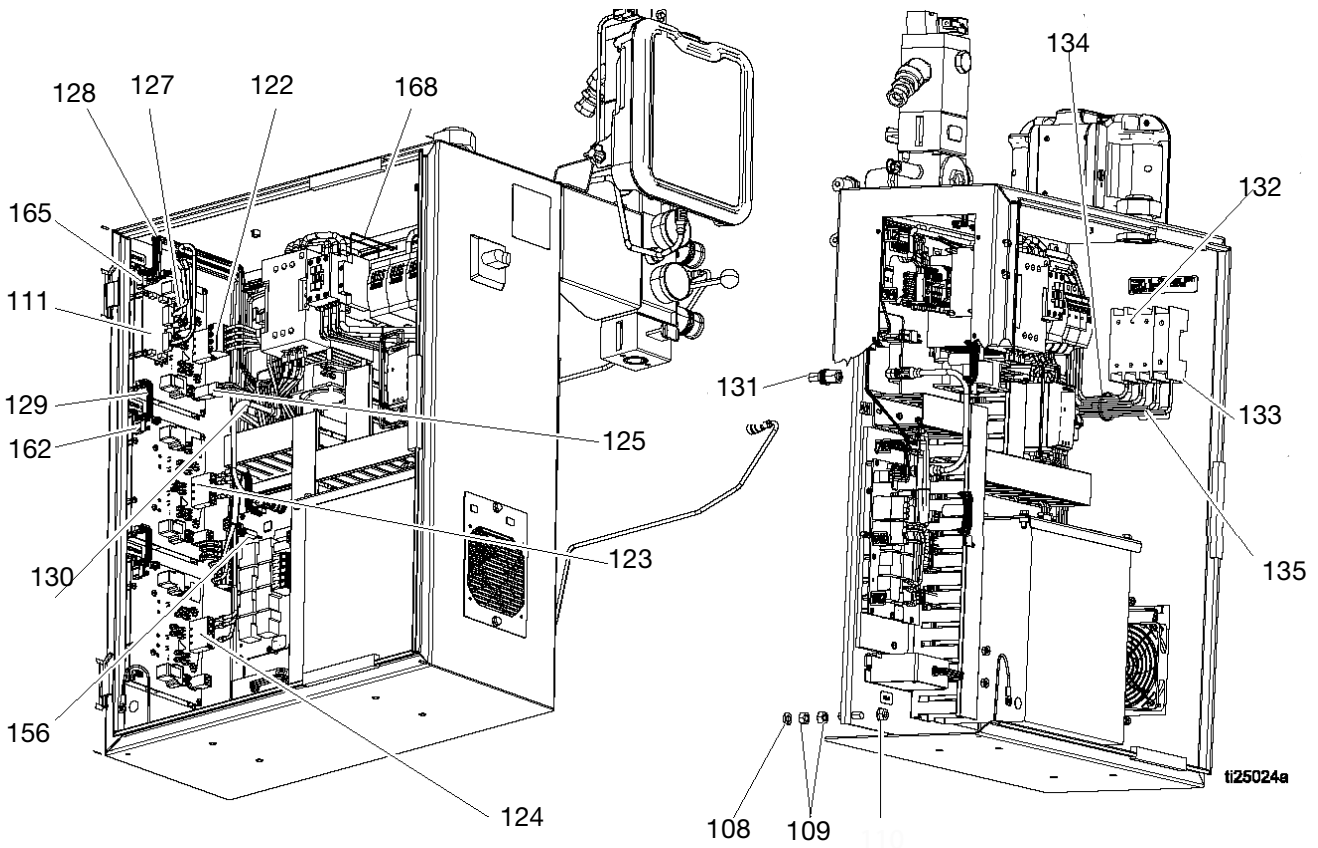
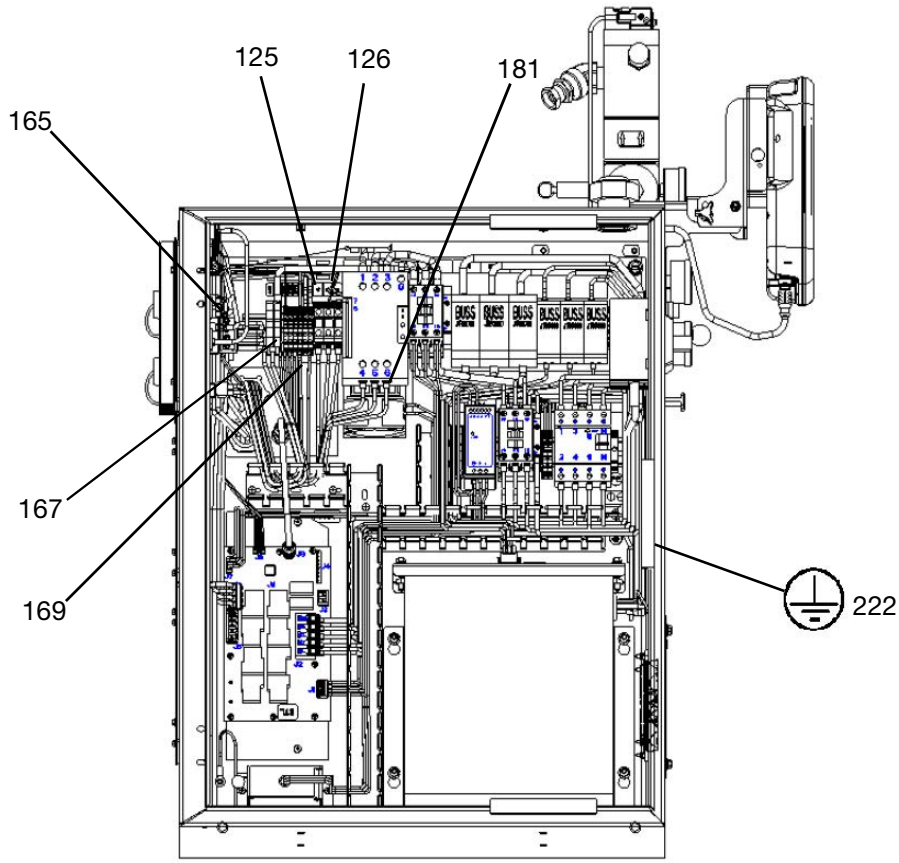
**Integrated Control For TOF With Electrical Enclosure**

**24X026, Integrated Control For Hydraulic TOF With Electrical Enclosure**

**Integrated Control For TOF Without Electrical Enclosure**

Ref	Part	Description	Qty	Ref	Part	Description	Qty
51	24W870	KIT, CONTROL, air, 3 regulator; see manual 334201	1	59	---	O-RING	4
52	121235	SOLENOID, air motor, ram	1	60	---	SCREW, cap, socket hd; 1.5 in, #8-32	8
53	17A557	HARNESS, solenoid, MZLP	1	61	---	CONTROL, air, 3 regulator, hydraulic	1
54	113445	FITTING, elbow, street	1	62	---	LABEL, valve, shutoff, air control	1
55	121282	FITTING, swivel, straight	1	66	255651	KIT, reg, air motor, ram	1
56	120375	ADAPTER, elbow, 3/4-14 nptf x 1/2-14 npsm	1	<i>Parts only used with 24X026 on TOF 200 Hydraulic Systems.</i>			
57	---	FITTING, adapter, 1/8 x 1/8 NPT(f)	1				
58	---	BLOCK, adapter, regulator	2				







## Electrical Control Module Parts

Ref	Part	Description	Qty	Ref	Part	Description	Qty
101	---	ENCLOSURE, electrical	1	125	---	HARNESS, pump, mzl1, tb, tof	1
103	---	BUSHING, strain relief, m40 thread	1	126	---	HARNESS, output, mzl1, ssr, contact	1
104	---	NUT, strain relief, m40 thread	1	127	17A555	HARNESS, pump, reed switch, tof	1
105	125946	PLUG, hole, 1/2 in	2	128	17A559	HARNESS, board, mxm, comm	1
106	123967	KNOB, operator disconnect	1	129	127511	CABLE, board, samtec (8 zone assemblies only; Qty 1) (12 zone assemblies only; Qty 2)	1
107	---	PANEL, elec, transformer (transformer assemblies only)	1	130	121226	CABLE, can, male / female, 0.4m	1
	---	PANEL, elec, 400v/n (400V modules only)	1	131	121612	CONNECTOR, thru, m12, mxm	1
	---	PANEL, elec, 230v/n (230V modules only)	1	132	123969	SWITCH, disconnect, 100a	1
108	100133	WASHER, lock, 3/8	4		123968	SWITCH, disconnect, ph exp 100 A (400V only)	1
109	100307	NUT, hex	8	134	---	HARNESS, disc, fuse, 230-600v	1
110	123396	NUT, flange, serrated, 3/8-16	4		17A547	HARNESS, disc, cb, 400v/n, tof	1
111	---	MODULE, gca, mzl1 w/ daughter board	1	136	24V911	FAN, 24v dc, 120m x 120m (400V only)	1
112	24V510	MODULE, gca, mzl1 (8 zone assemblies only; Qty 1) (12 zone assemblies only; Qty 2)		137	16X884	GRILL, fan (400V only)	1
112a	24R042	KIT, daughter, board	1	138	115836	GUARD, finger (400V only)	1
113	---	GASKET, foam (8 zone assemblies only; Qty 1) (12 zone assemblies only; Qty 2)		139	127278	NUT, keps, hex (400V only)	4
114	24P175	PLATE, blank (4 zone assemblies only; Qty 2) (8 zone assemblies only; Qty 1)		140	24V746	GRILL, vent (230V and 400V assemblies only; Qty 2) (Transformer assemblies only; Qty1)	
115	125856	SCREW, 8-32, serrated flange	12	141	119865	SCREW, mach, hex serrated	4
116	16T440	CAP, souriau, uts 14 (4 zone assemblies only; Qty 2) (8 zone assemblies only; Qty 4) (12 zone assemblies only; Qty 6)		142	---	CONTROL, air, assy; with solenoid	1
118	---	WIRE, grounding, door	1	143	24W812	ADM (Primary assemblies only)	1
119	100166	NUT, full hex	2	144	15V551	SHIELD, membrane, ADM (Primary assemblies only)	0.1
120	---	GASKET, hphm	1	145	121001	CABLE, can, female / female 1.0m (Primary assemblies only)	1
122	17A543	HARNESS, power, mzl1, awb	1	146	---	BRACKET, mounting, assembly (Primary assemblies only)	1
123	17A544	HARNESS, power, mzl2, awb (8 zone assemblies only)	1	147	121250	SCREW, shcs, 1/4uncx4.25 (Primary assemblies only)	1
	17A545	HARNESS, power, mzl2/3, awb (12 zone assemblies only)	1	148	102040	NUT, lock, hex (Primary assemblies only)	1
				149	110755	WASHER, plain (Primary assemblies only)	1
				150	121253	KNOB, display adj., ram pkgs (Primary assemblies only)	1
				151	---	BRACKET, pendant pivot, (Primary assemblies only)	1

Parts

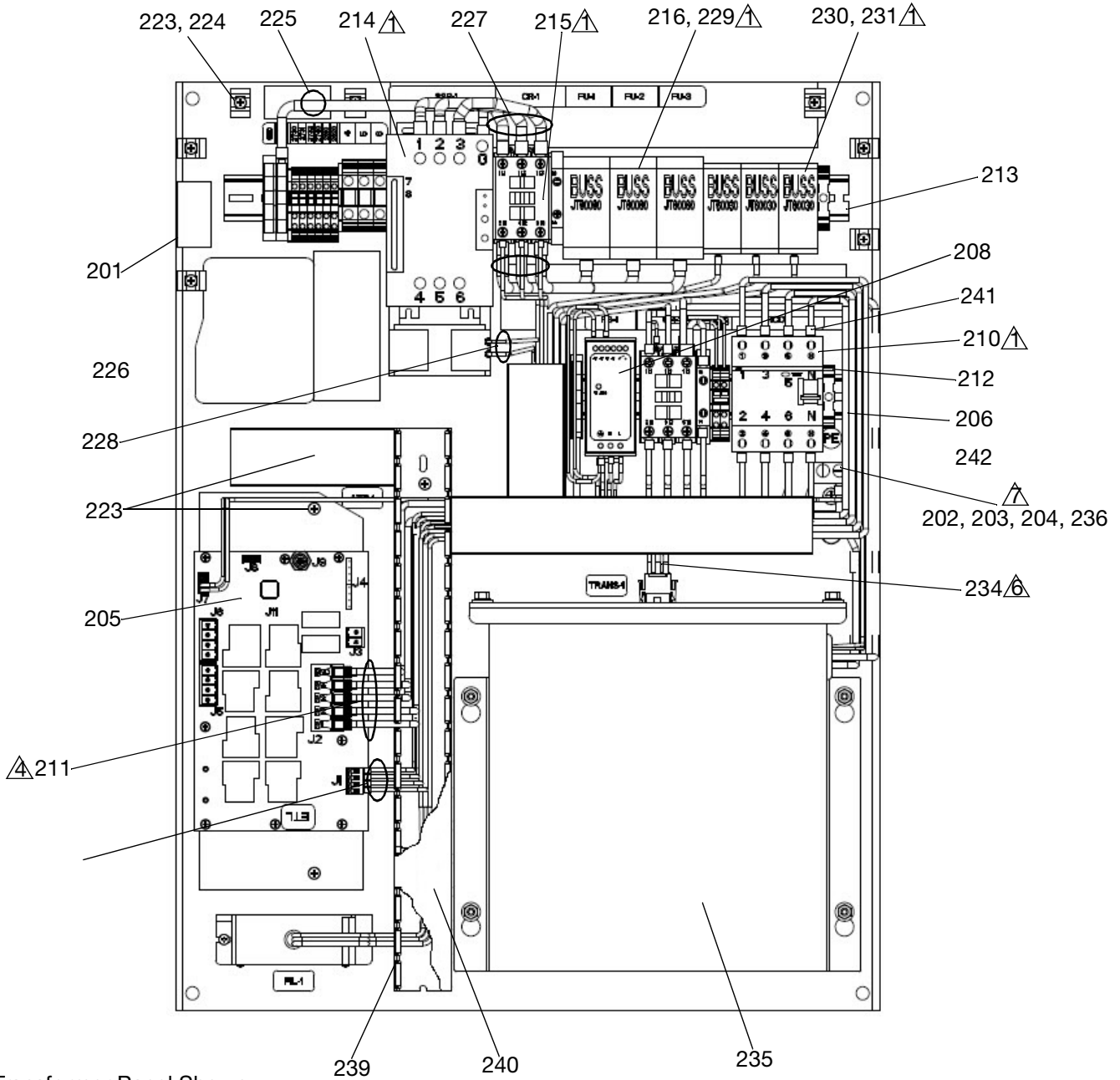
Ref	Part	Description	Qty	Ref	Part	Description	Qty
152	101550	SCREW, cap, sch (Primary assemblies only)	4	166	127771	BRIDGE, plug-in, 2pos, ut16 (400V and Transformer modules only)	1
153	100016	WASHER, lock (Primary assemblies only)	5	167	---	FERRULE, wire, 10awg (230V modules only; Qty 2) (400V and transformer modules only; Qty 8)	
156	24V745	SENSOR, level, low/empty	1	168	---	FERRULE, wire, 16awg	6
157	---	BUSHING, strain relief	1	169	---	FERRULE, wire, 18 awg, long	6
158	---	NUT, bushing	1	170▲	196548	LABEL, warning, shock	1
159	---	GROMMET, wire	1	172	---	ARTWORK, instructions, wiring, ul	1
160	124654	CONNECTOR, splitter, 12(m) x m12(f) (Secondary modules only)	1	181	---	FERRULE, wire, 10awg, twin (Secondary assemblies only)	3
161	121228	CABLE, can, female/female, 15.0 m (Secondary modules only)	1	182	17C669	CONNECTOR, jumper, male (Secondary assemblies only)	1
162	16W035	CONNECTOR, jumper (8 zone assemblies only; Qty 1) (12 zone assemblies only; Qty 2)		183	123856	HARNESS, CAN, cable (Secondary assemblies only)	1
163	---	CONTACT, socket, 20-24 awg, crimp, tin	3	184	17C712	TOKEN (Secondary assemblies only)	1
164	---	TUBE, 1/16 shrink tube	0.13	▲ Replacement Warning labels, signs, tags, and cards are available at no cost.			
165	---	HARNESS, input, mzlpl1, RTD	1				

# Electrical Panel



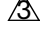
## 230V

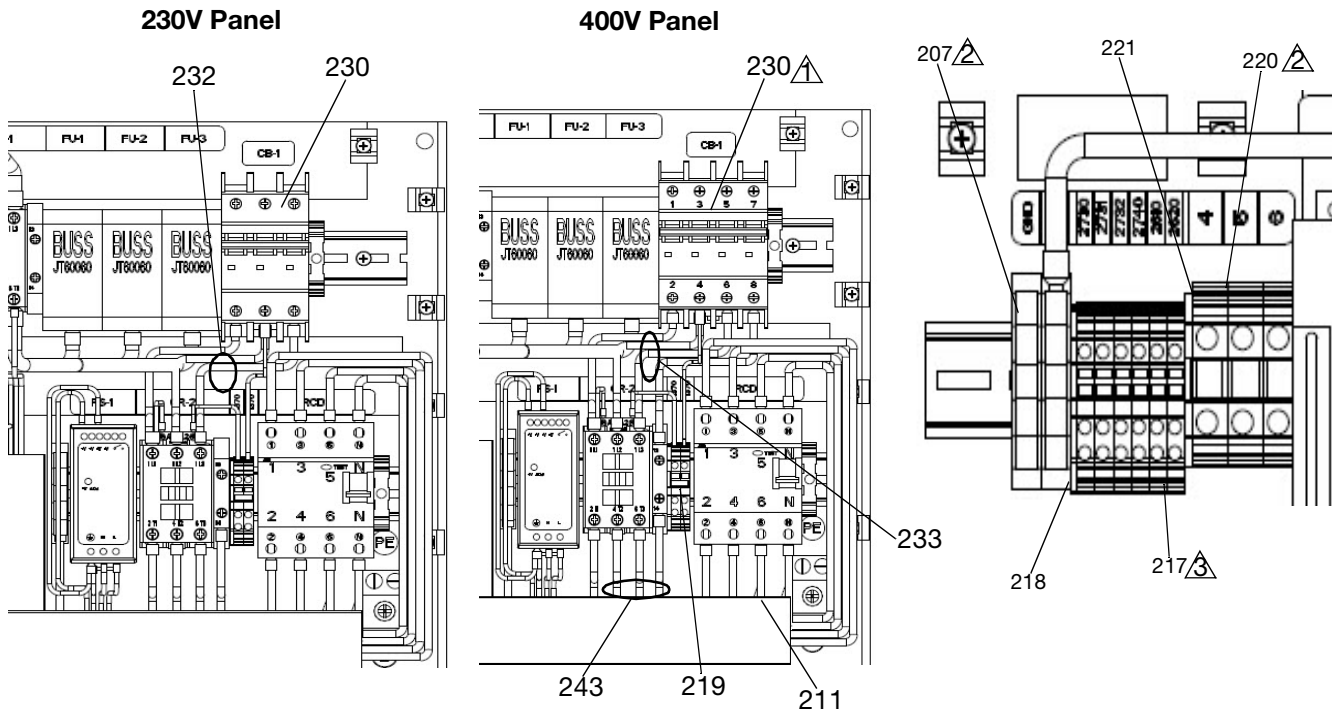
## 400V

## Transformer



Transformer Panel Shown

-  Torque terminals to 25-27 in-lbs (2.8-3.1 N•m).
-  Torque terminals to 13.3-16 in-lbs (1.5-1.8 N•m)
-  Torque terminals to 4.53-6.2 in-lbs (0.5-0.7 N•m)



- ▲ Torque terminals to 25-27 in-lbs (2.8-3.1 N•m).
- ▲ Torque terminals to 13.3-16 in-lbs (1.5-1.8 N•m)
- ▲ Torque terminals to 4.53-6.2 in-lbs (0.5-0.7 N•m)

## Electrical Panel Parts

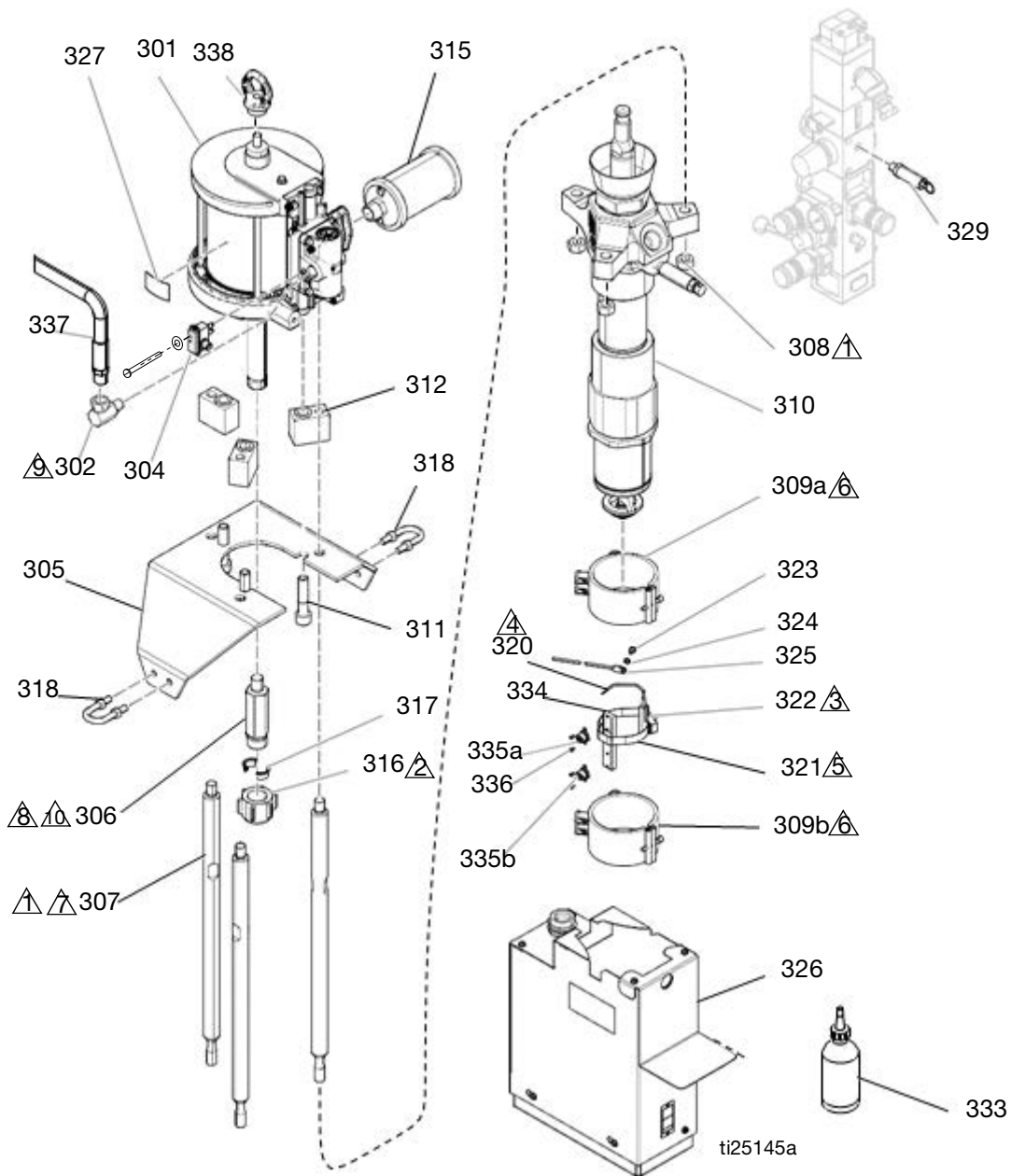
Ref	Part	Description	Qty	Ref	Part	Description	Qty
201	---	PANEL, elec, tof, 11ga, zinc	1	227	---	HARNESS, contactor, ssr	1
202	117666	TERMINAL, ground	1	228	---	HARNESS, rcd, ssr fan	1
203	113783	SCREW, machine, pn hd	1	229	---	See Code C Table	3
204	100985	WASHER, lock ext	1	230◆	6690-24	FUSE, fuse block buss jt60030 -164	3
205	24V816	MODULE, gca, awb	1	230✓	134005	FUSE, block, 30A, type cc, 3P	1
206	---	RAIL, din, 6.5in	1	230◆✓	127744	CIRCUIT, breaker, 3p, 32a, ul489; 230V Panel only	1
207	123363	BLOCK, terminal, ground, 10mm	3	230◆✓	127745	CIRCUIT, breaker, 20a, 4p, ul489; 400V Panel only	1
208	126453	POWER SUPPLY, 24v	1	231	---	See Code C Table	3
209	---	HARNESS, power supply, awb	1	232	17L788	HARNESS, cb, rcd, 230-400V; 230V and 400V Panel only	1
210	128097	CIRCUIT, breaker, 63a, 4p, rcd	1	233	17L789	HARNESS, cb, rcd, 400v/n; 400V Panel only	1
211	---	HARNESS, rcd, awb	1	234	17A541	HARNESS, fuses, transformer; Transformer panel only	1
212	126811	BLOCK, clamp end	2	235	24V718	TRANSFORMER, multi-tap/230v, 6kva; Transformer panel only	1
213	---	RAIL, din, 19in	1	237	128014	FILTER, voltage, transient, 600V, 3P	1
214	120399	CONTROL, 65 amp, 120-600v	1	238	112380	SCREW, mach, pn hd	2
215	123359	RELAY, contactor, 30a, 3p, 24vdc co	1	239	81/0163	WIREWAY, panduit -B/11	4
216◆	6690-24	FUSE, fuse block buss jt60060 -165	3	240	81/0164	COVER, panduit -B/11	4
216✓	134004	FUSE, block, 60A, type cc, 3P	1	241	17L790	HARNESS	1
217	128314	BLOCK, terminal 3-wire	8	242	129120	CONTACTOR 240V	1
218	128321	COVER, end	2	243	17L787	HARNESS	1
219	126819	BRIDGE, plug-in, 2-position	1	▲ Replacement Warning labels, signs, tags, and cards are available at no cost.			
220	127717	BLOCK, terminal, 2pos, ut16	3				
221	127718	COVER, end, ut16	1				
222▲	17C137	LABEL, multi safety	1				
223	103833	SCREW, mach, crbh	33				
224	123452	HOLDER, anchor, wire tie, nylon	12				
225	---	HARNESS, wire, ground, 8awg	1				
226	---	HARNESS, fuse, contactor	1				

If Code A is 200 and Code E is M and Code C is			If Code A is 200 and Code E is F/S and Code C is		
Code C	(229)	(231)	Code C	(229)	(231)
X1X	24X885	NA	X1X	24X885	NA
X2X	24X881	NA	X2X	24X880	NA
X3X	24X881	24X878◆, 26D828✓	X3X	24X880	24X878◆, 26D828✓
X4X	24X882	24X877◆, 26D827✓	X4X	24X881	24X877◆, 26D827✓
X5X	24X884	24X874◆, 26D826✓	X5X	24X883	24X874◆, 26D826✓

◆ Applies to Series A, B and C

✓ Applies to series D

# Merkur 2200, 23:1 Pump Modules



Torque to 50-60 ft-lbs (68-81 N•m).

Torque to 145-155 ft-lbs (196-210 N•m).

Coat mounting surface of sensor mounting block (322) with non-silicone heat sink compound. Do not coat sensor.

Prior to tightening band clamp (321), RTD sensor (320) must be fully contained within the sensor mount (322).

After fastening band clamp (321), secure excess with fiberglass tape.

Coat inside of heater (309a, 309b) only to within 0.75 in. (19 mm) of vertical ends with non-silicone heat sink compound before mounting.

Cap screws (311) must be loose while tie rods (307) are being torqued.

Torque to 150 ft-lb (203 N•m).

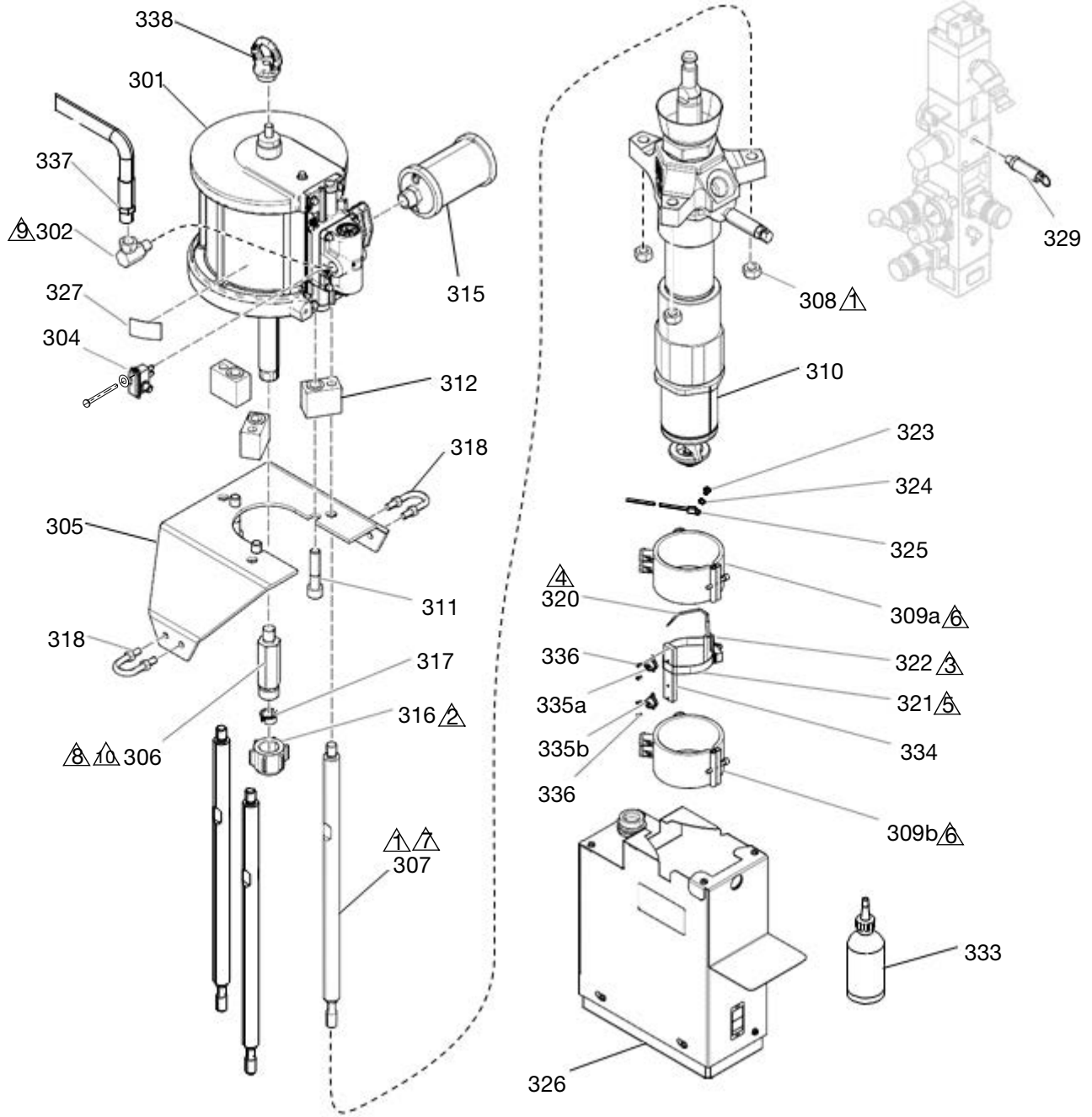
Install swivel fitting (302) prior to screw (303) and reed switch assembly (304).

Apply anaerobic sealant to threads.

## Merkur 2200, 23:1 Pump Modules

Ref	Part	Description	Qty	Ref	Part	Description	Qty
301	24W754	MOTOR, air, 6 in, 4.75 stroke, blue	1	321	C31012	CLAMP	1
302	155470	FITTING, swivel, union, 90°	1	322	C03507	SUPPORT, sensor	1
304	24R885	SWITCH, reed assy	1	323	C38162	SCREW, machine	1
305	---	BRACKET, motor mount	1	324	C38163	WASHER, lock, ext. tooth	1
306	15H397	ADAPTER, rod, pump	1	325	---	CONDUCTOR, ground	1
307	16A223	ROD, tie, vert driver	3	326	---	SHIELD, pump, tof200; see <b>24V619, Pump Shield</b> , page 84	1
308	106166	NUT, mach ,hex	3	329	103347	VALVE, safety, 100 psi	1
309	128322	HEATER, pump, 600 watt	2	330	C33049	TAPE, adhesive, fiberglass	1.5
310	24W150	PUMP, long shaft, cf; 24V003 only	1	331	---	LUBRICANT, high temp, thermal	1
	24W151	PUMP, long shaft, gf; 24V006 only		333	206994	FLUID, tsl 8 oz bottle	1
311	109211	SCREW, cap, sch	3	334	17B715	SUPPORT, block, overtemp	1
312	17A637	BLOCK, standoff, mounting	3	335	127671	SWITCH, over temp, fixed, 450°F (232°C)	2
315	102656	MUFFLER	1	336	122338	SCREW, cap, socket bh	4
316	186925	NUT, coupling	1	337	214656	HOSE, coupled, 10 ft (3 m)	1
317	184129	COLLAR, coupling	2	338	16C009	HOOK	1
318	120186	BOLT, mounting, u-bolt	2				
320	24Z093	SENSOR, RTD	1				

# Merkur 3400, 36:1 Pump Modules



Torque to 50-60 ft-lbs (68-81 N•m).

Torque to 145-155 ft-lbs (196-210 N•m).

Coat mounting surface of sensor mounting block (322) with non-silicone heat sink compound. Do not coat sensor.

Prior to tightening band clamp (321), RTD sensor (320) must be fully contained within the sensor mount (322).

After fastening band clamp (321), secure excess with fiberglass tape.

Coat inside of heater (309) only to within 0.75 in. (19 mm) of vertical ends with non-silicone heat sink compound before mounting.

Cap screws (311) must be loose while tie rods (307) are being torqued.

Torque to 150 ft-lbs (203 N•m).

Install swivel fitting (302) prior to screw (303) and reed switch assembly (304).

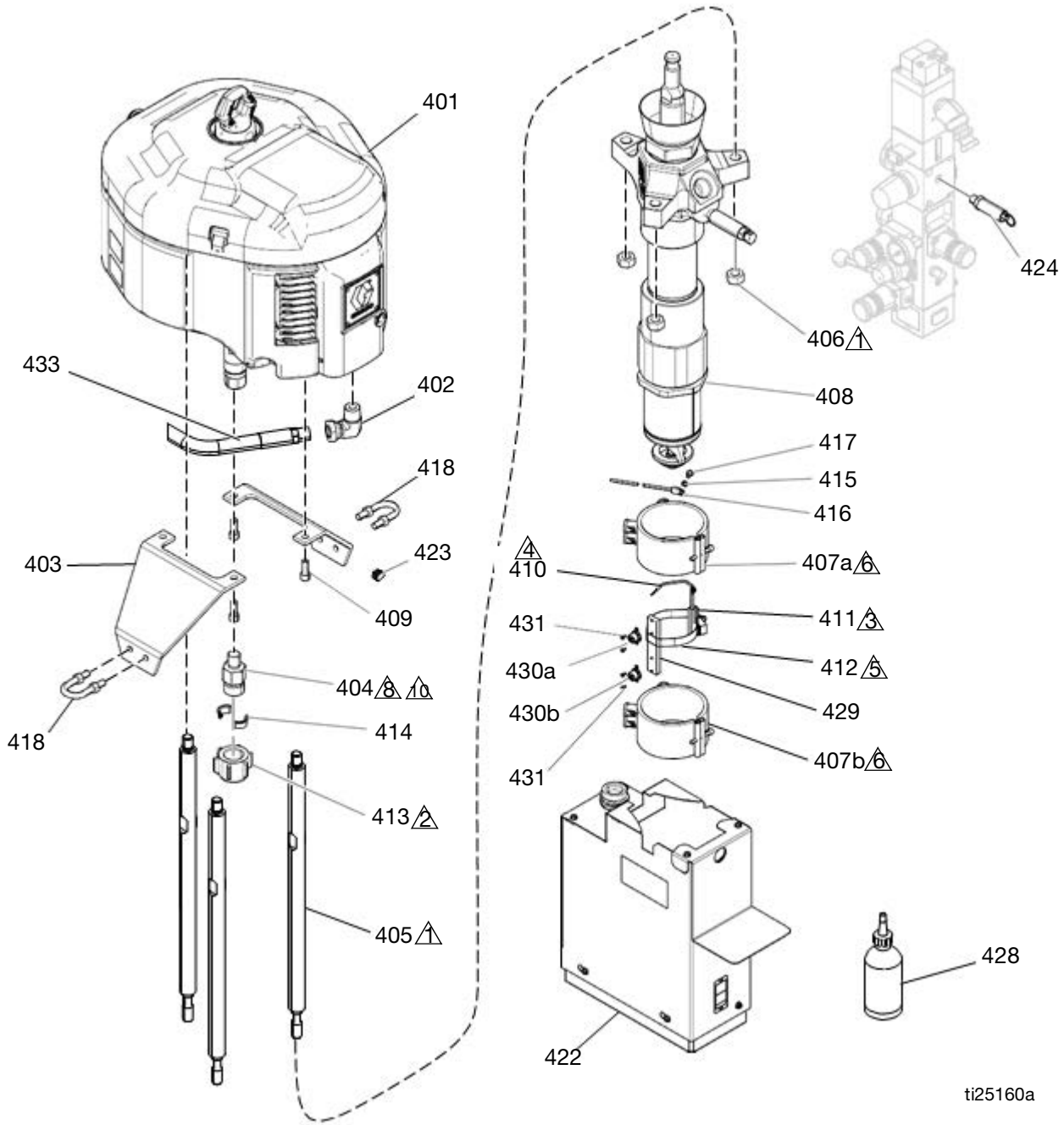
Apply anaerobic sealant to threads.





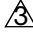

## Merkur 3400, 36:1 Pump Modules



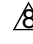
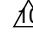
Ref	Part	Description	Qty	Ref	Part	Description	Qty
301	24R015	MOTOR, assy, air, 7.5 in, blue	1	321	C31012	CLAMP	1
302	155470	FITTING, swivel, union, 90°	1	322	C03507	SUPPORT, sensor	1
304	24R885	SWITCH, reed assy	1	323	C38162	SCREW, machine	1
305	15H173	BRACKET, motor mount, tof 200	1	324	C38163	WASHER, lock, ext. tooth	1
306	15H397	ADAPTER, rod, pump	1	325	---	CONDUCTOR, ground	1
307	16A223	ROD, tie, vert driver	3	326	---	SHIELD, pump, tof200; see <b>24V619, Pump Shield</b> , page 84	1
308	106166	NUT, mach, hex	3	329	103347	VALVE, safety, 100 psi	1
309	128322	HEATER, pump, 600 watt	2	330	C33049	TAPE, adhesive, fiberglass	1.5
310	24W150	PUMP, long shaft, cf; 24V004 only	1	331	---	LUBRICANT, high temp, thermal	1
	24W151	PUMP, long shaft, gf; 24V007 only	1	333	206994	FLUID, tsl 8 oz bottle	1
311	109211	SCREW, cap, sch	3	334	17B715	SUPPORT, block, overtemp	1
312	17A637	BLOCK, standoff, mounting	3	335	127671	SWITCH, over temp, fixed, 450°F (232°C)	2
315	102656	MUFFLER	1	336	122338	SCREW, cap, socket bh	4
316	186925	NUT, coupling	1	337	214656	HOSE, coupled, 10 ft (3 m)	1
317	184129	COLLAR, coupling	2	338	16C009	HOOK	1
318	120186	BOLT, mounting, u-bolt	2				
320	24Z093	SENSOR, RTD	1				

# NXT 6500, 70:1 Pump Modules



ti25160a

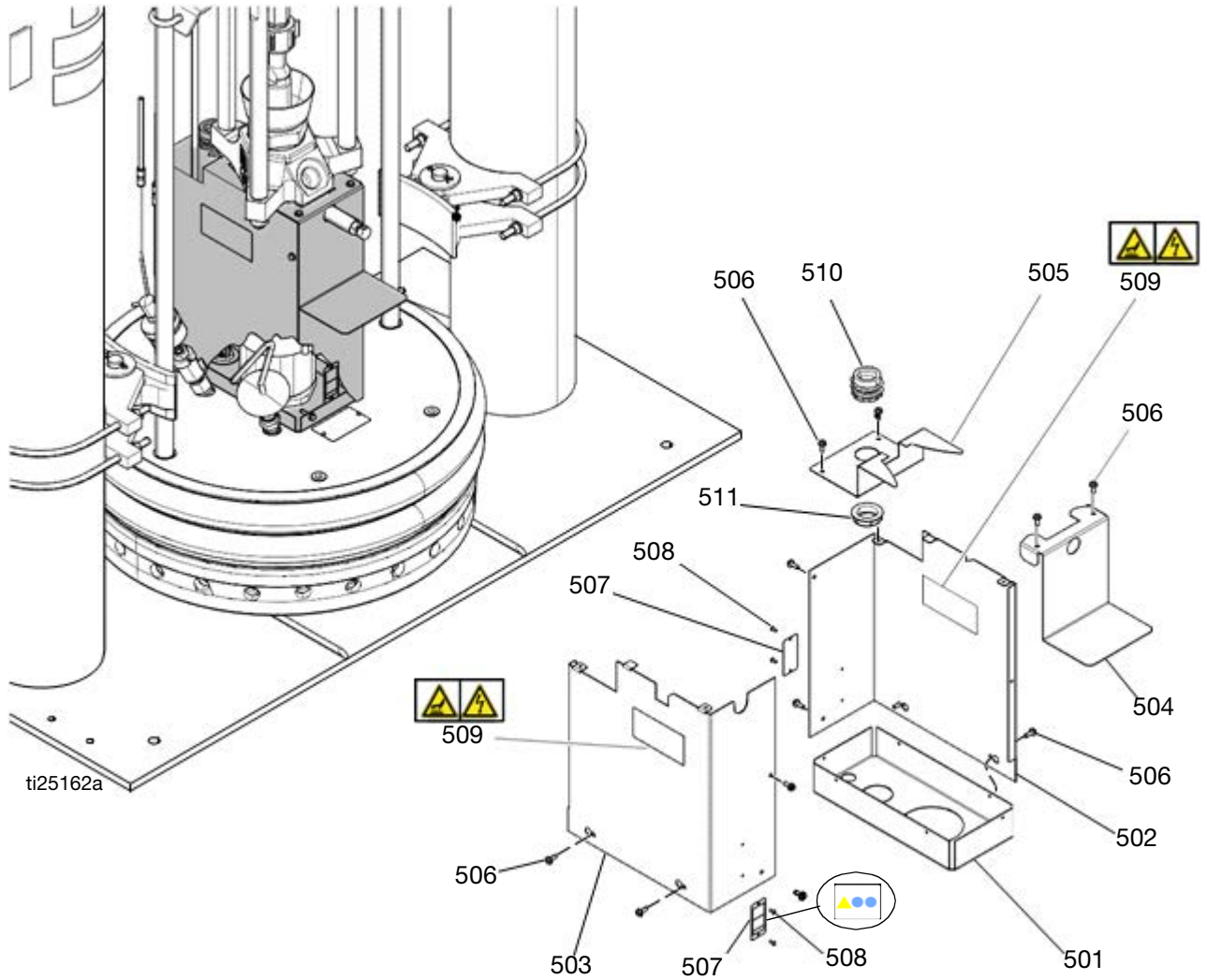
-  Torque to 50-60 ft-lbs (68-81 N•m).
-  Torque to 145-155 ft-lbs (196-210 N•m).
-  Coat mounting surface of sensor mounting block (411) with non-silicone heat sink compound. Do not coat sensor.
-  Prior to tightening band clamp (412), RTD sensor (410) must be fully contained within the sensor mount (411).

-  After fastening band clamp (412), secure excess with fiberglass tape.
-  Coat inside of heater (407) only to within 0.75 in. (19 mm) of vertical ends with non-silicone heat sink compound before mounting.
-  Torque to 150 ft-lb (203 N•m).
-  Apply anaerobic sealant to threads.

## NXT 6500, 70:1 Pump Modules

Ref	Part	Description	Qty	Ref	Part	Description	Qty
401	N65LR0	MOTOR, 6500, low-noise, remote	1	416	---	CONDUCTOR, ground	1
402	120375	ADAPTER, elbow, 3/4 npti x 1/2 npte	1	417	C38162	SCREW, machine	1
403	15H542	BRACKET, mounting, motor, tof200	2	418	120186	BOLT, mounting, u-bolt	2
404	17A406	ADAPTER, rod, pump, tof	1	419	100307	NUT, hex	4
405	16A223	ROD, tie, vert driver	3	422	---	SHIELD, pump, tof200; see <b>24V619, Pump Shield</b> , page 84	1
406	106166	NUT, mach, hex	3	423	120588	PLUG, pipe, round	1
407	128322	HEATER, pump, 600 watt	2	424	120012	VALVE, safety, 50 psi	1
408	24W150	PUMP, long shaft, cf; 24V005 only	1	425	---	LUBRICANT, high temp, thermal	1
	24W151	PUMP, long shaft, gf; 24V008 only	1	426	C33049	TAPE, adhesive, fiberglass	1.5
409	C19837	SCREW, cap, socket hd	4	428	206994	FLUID, tsl 8 oz bottle	1
410	24Z093	SENSOR, RTD	1	429	17B715	SUPPORT, block, overtemp	1
411	C03507	SUPPORT, sensor	1	430	127671	SWITCH, over temp, fixed, 450°F (232°C)	2
412	C31012	CLAMP	1	431	122338	SCREW, cap, socket bh	4
413	186925	NUT, coupling	1	432	17C255	CABLE, M12, 8p, 5p, m, 0.2 m	1
414	184129	COLLAR, coupling	2	433	---	HOSE, coupled, 13.5 ft (4 m)	1
415	C38163	WASHER, lock, ext. tooth	1				

## 24V619, Pump Shield



Ref	Part	Description	Qty	Ref	Part	Description	Qty
500	24V619PKG	SHIELD, pump, TOF200	1	507*▲	17J504	LABEL, warning	2
501*	---	COVER, pump, bottom	1	508*	104088	RIVET, blind	4
502*	---	COVER, pump, right	1	509*▲	15J075	LABEL, safety, hot surface and shock	2
503*	---	COVER, pump, left	1	510	---	BUSHING, conduit, 1 in	1
504*	---	COVER, pump, top, front	1	511	C20731	FITTING, conduit, connector, 1 in.	1
505*	---	COVER, pump, top, back	1				
506*	---	FASTENER, thread-cutting screw	12				

▲ Replacement Warning labels, signs, tags, and cards are available at no cost.

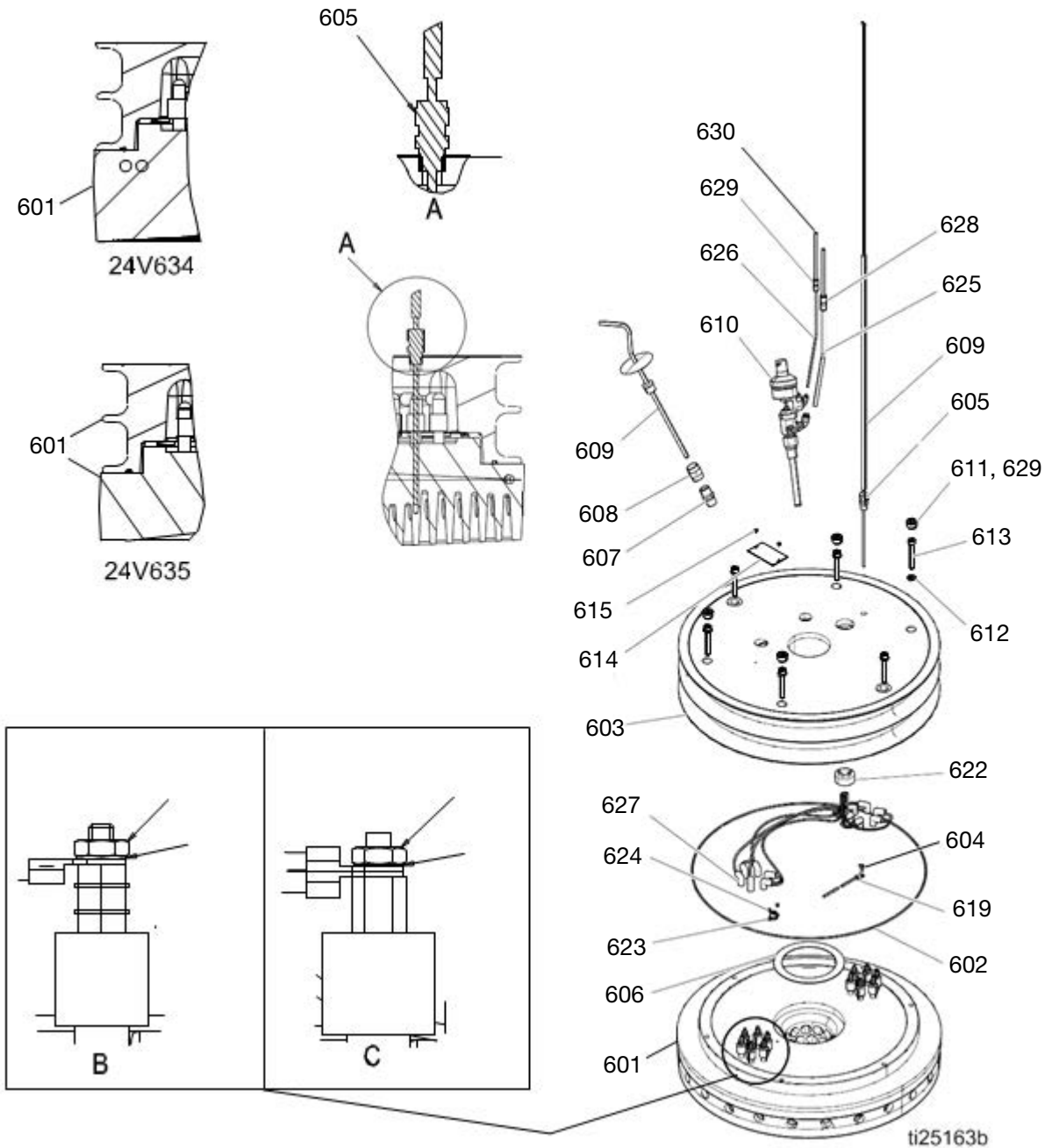
\* Parts included in Kit 24V619PKG.

### Heated Platens

**24V633, Heated Drum Platen, Mega-Flo (Code E-option M)**

**24V634, Heated Drum Platen, Standard Grid (Code E-option F)**

**24V635, Heated Drum Platen, Smooth Bottom (no fin) (Code E-option S)**



## Heated Platens

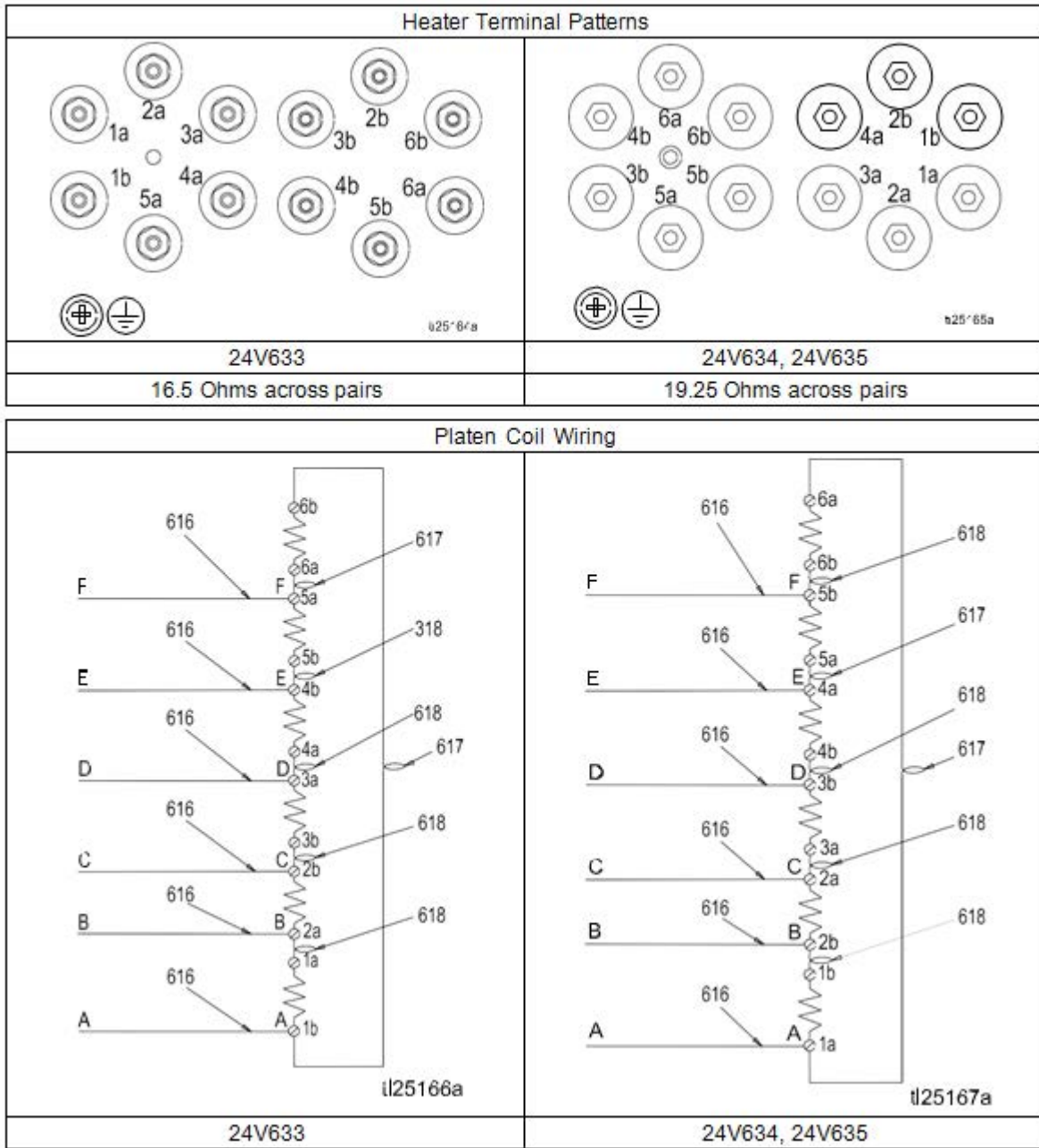
**24V633, Heated Drum Platen, Mega-Flo (Code E-option M)**

**24V634, Heated Drum Platen, Standard Grid (Code E-option F)**

**24V635, Heated Drum Platen, Smooth Bottom (no fin) (Code E-option S)**

Ref	Part	Description	Qty	Ref	Part	Description	Qty
601	---	PLATEN — see table below	1	618	---	CONDUCTOR, 0.3 ft (0.09 m)	4
602	C32204	PACKING, o-ring	1	619	---	CONDUCTOR, ground	1
603	15G967	PLATE, tire	1	620	112901	NUT, hex	12
604	C19049	SCREW, mach, slotted, RND HD	1	621	111640	WASHER, lock, internal	12
605	24Z095	SENSOR, temperature	1	622	---	PLUG, follower, plate	1
606	C32201	GASKET, follower	1	623	127671	SWITCH, over temp, fixed, 450°F (232°C)	1
607	158491	FITTING, nipple	1	624	122338	SCREW, cap, socket bh	2
608	158581	COUPLING, hex	1	625	---	TUBE, ptfе, 1/4 X 5/16	3
609	617227	HANDLE, follower, bleed	1	626	---	TUBE, ptfе, 3/32 X 5/32	3
610	246501	VALVE, blow off	1	627	---	SLEEVE, fiberglass, hi-temp	3
611	100361	PLUG, pipe	4	628	127690	FITTING, adapter, 5/16 in. tube x 1/4 in tube	1
612	100133	WASHER, lock	6	629	127689	FITTING, adapter, 1/4 in tube x 5/32 in tube	1
613	C19846	SCREW, cap socket, HD	6	630	---	TUBE, polyeth, 1/4 OD; 26 ft (7.9 m)	1
614	150707	PLATE, designation	1				
	---	PLATE, designation; 24V633 only	1				
615	100508	SCREW, drive	2				
616	---	CONDUCTOR, 14.2 ft (4.3 m)	6				
617	---	CONDUCTOR, 1.7 ft (0.5 m)	2				

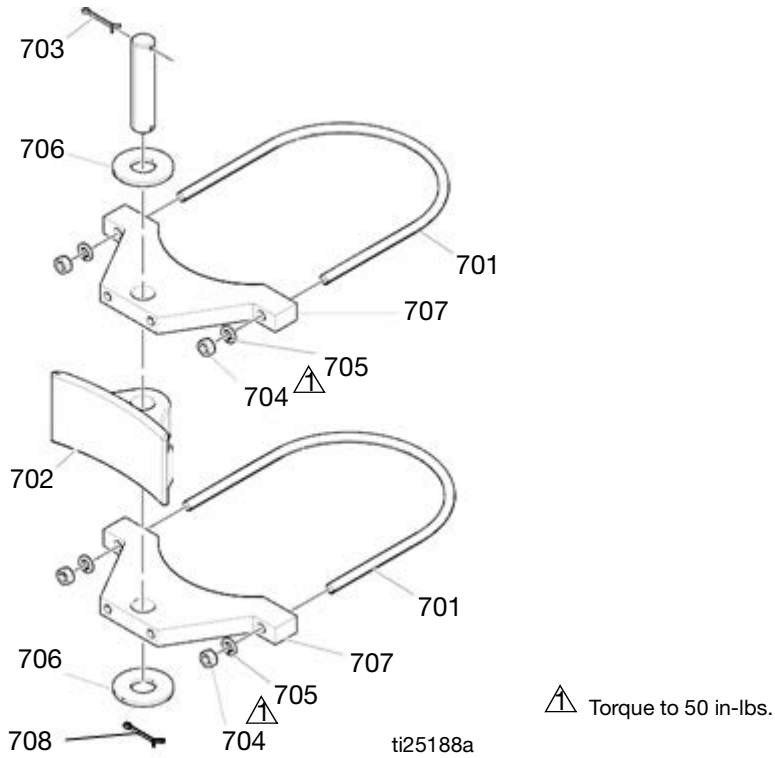
Platen Model	Description	Ref. No. 601	Qty.	Element Resistance
24V633	Mega-Flo	194254	1	16.5 ohms +1/-2
24V634	Standard Grid	617225	1	19.2 ohms +2/-3
24V635	Smooth Bottom	C57358	1	19.2 ohms +2/-3



# Drum Ram Post Saddle Clamp

## C32463

### Option H-1



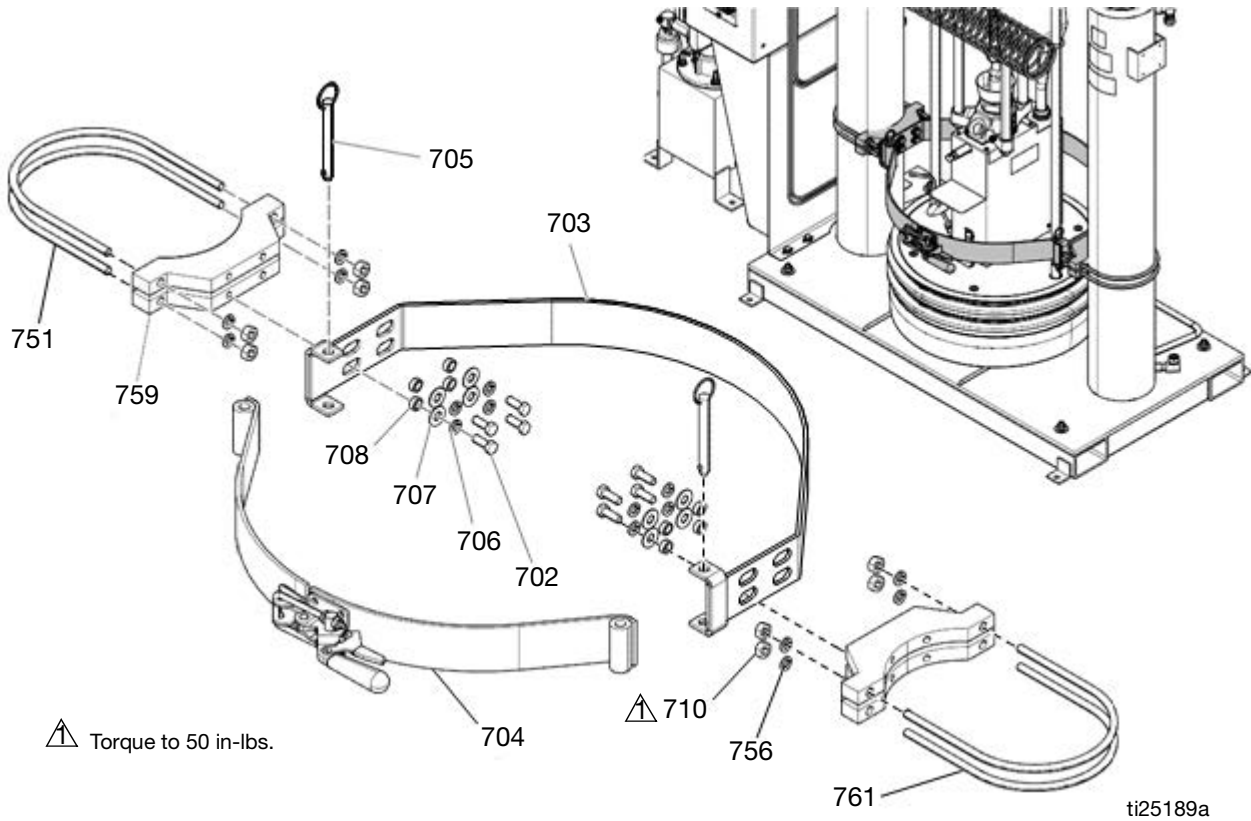
Ref	Part	Description	Qty
701	C32424	BOLT, U, 7 in. (177.8 mm)	2
702	160111	CLAMP, barrel	1
703	100103	PIN, cotter	2
704	100307	NUT, hex	4
705	100133	WASHER, lock	4
706	C38182	WASHER, plain	2
707	C32461	CLAMP, saddle	2
708	166265	PIN, pivot	1



# Drum Ram Post Saddle Clamp

## 918395

### Option H-3

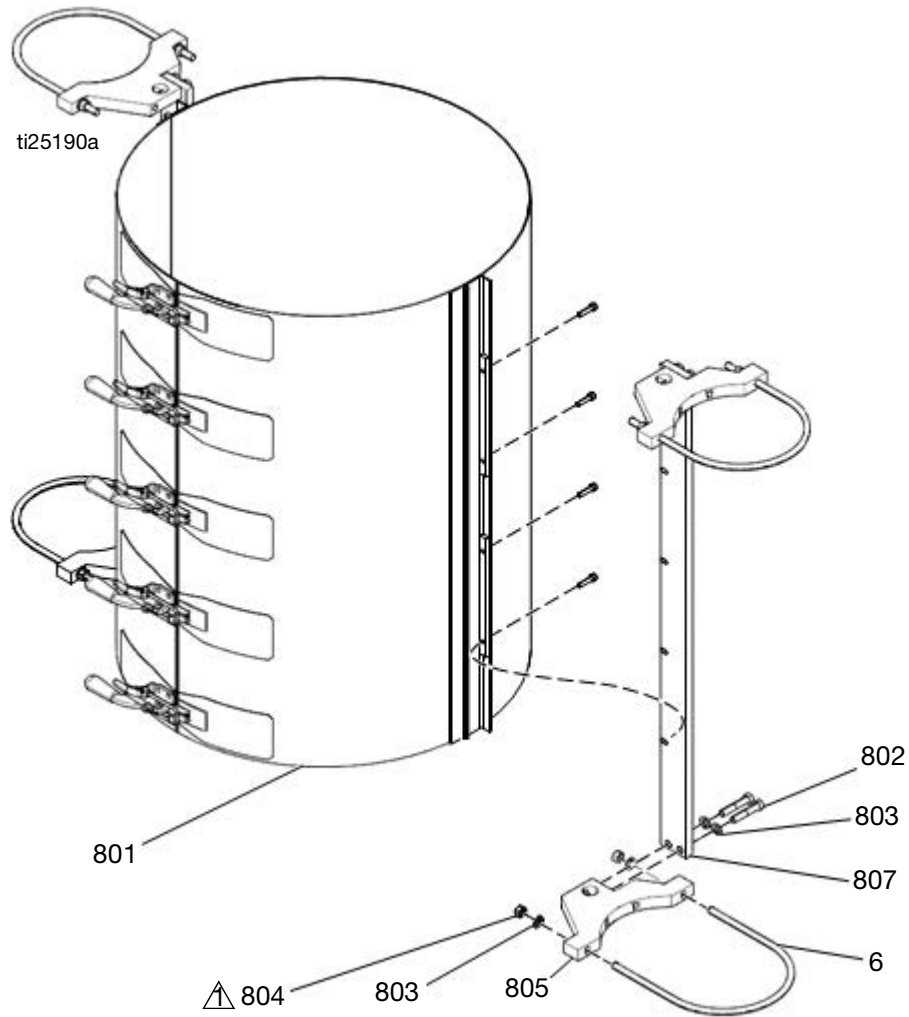



Ref	Part	Description	Qty
702	100101	SCREW, cap, hex hd	8
703	918421	CLAMP, back half assembly	1
704	918423	KIT, repair	1
705	617395	PIN, quick release	2
756	100133	WASHER, lock	8
707	C19200	WASHER, plain	8
708	617433	SPACER, drum clamp	8
759	617395	CLAMP, saddle	4
710	100131	NUT, full hex	8
761	C32424	BOLT, U 7 in. (177.8 mm)	4

# Fiber Drum Reinforcement Shell Clamp

## 918397

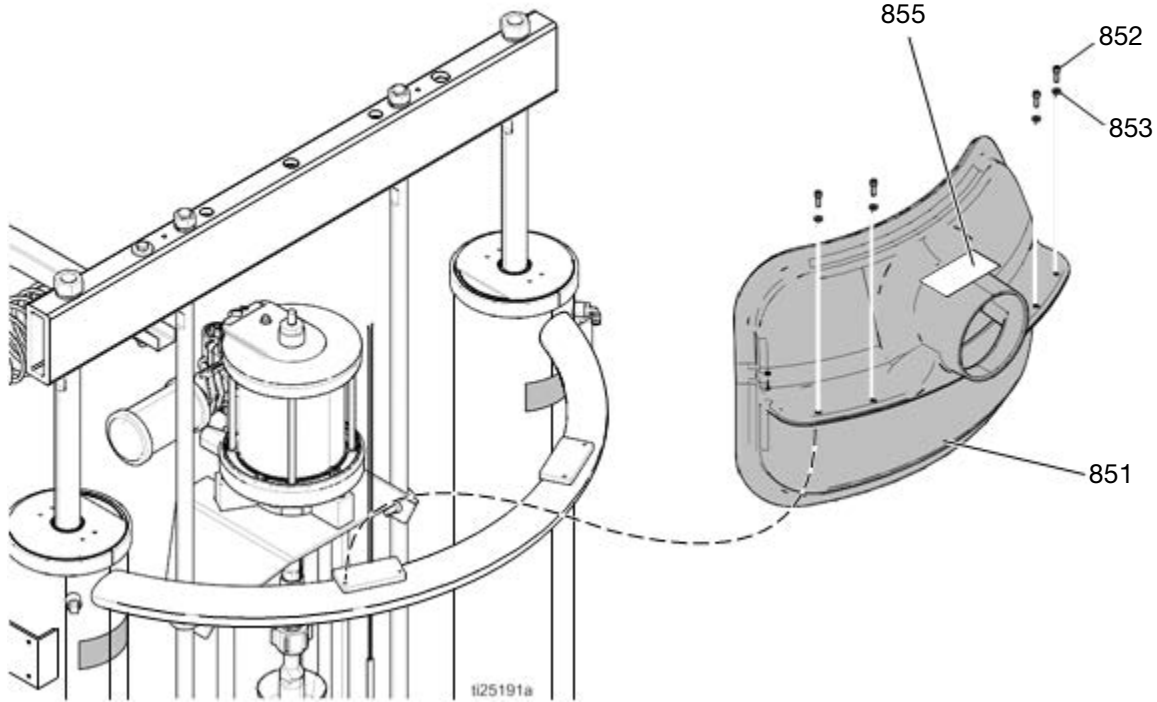
### Option H-2



 Torque to 50 in-lbs.

Ref	Part	Description	Qty	Ref	Part	Description	Qty
6	C32424	BOLT, U, 7 in. (177.8 mm)	4	802	C19126	SCREW, cap, hex hd	8
801	C32271	CLAMSHELL	1	803	100133	WASHER, lock	12
				804	100307	NUT, hex	8
				805	617340	CLAMP, saddle	4
				807	617341	MOUNT, clam shell	2

# Vent Hood Kit, 233559



Ref	Part	Description	Qty
851	---	VENT hood	1
852	112166	SCREW, cap, sch	4
853	100016	WASHER, lock	4
855▲	C14038	LABEL, warning	1

▲ Replacement Warning labels, signs, tags, and cards are available at no cost.

# Accessories and Kits

## Wiper Kits

See manual 309196 for installation and repair instructions.

Part No.	Description
253291	Hose/Spring Wiper Kit
25U752	Twin Green Silicone Hose Wiper kit
253290	Hose and T-Wiper Kit
253289	Twin Hose Wiper Kit

## Applicators and Dispense Valves

Part No.	Description
249515	Manual Gun, Top Feed, 240V
249514	Manual Gun, Bottom Feed, 240V
249513	Manual Gun, Top Feed, Electric Switch, 240V
249512	Manual Gun, Bottom Feed, Electric Switch, 240V

## Air-Operated Heated Dispense Valves

Part No.	Description
243694	Automatic Dispense Valve, 240V, Air-Operated Heated Dispense Valve
244951	Automatic Endure Dispense Valve, 240V, Air-Operated High Flow Heated Dispense Valve
244909	Automatic Endure Dispense Valve, 240V, Air-Operated Snuff-Back Heated Dispense Valve
243701	45 in (114 cm) Distribution Header With Valve, 240V

## CGM Installation Kit, 25C994

This kit enables controlling logic, such as a robot controller or PLC continuously monitoring data from the Therm-O-Flow system, as well as optionally controlling the system accordingly. Refer to manual 3A5186 for details on the interface. When ordering this kit, select and order the correct communication gateway module (CGM) that matches the field bus being used. The following CGM modules are available for the Therm-O-Flow system.

Part No.	Description
CGMEP0	EitherNet/IP
CGMDN0	DeviceNet
CGMPB0	ProfiBus
CGMPN0	ProfiNet

## Flow Control and Manifolds

Part No.	Description
243700	Heated Air Operated Mastic Pressure Regulator, 240V
243656	23:1 Heated Pressure Compensator Valve, 240V
243657	51:1 Heated Pressure Compensator Valve, 240V
243697	Heated Distribution Manifold, 240V  Includes (2) 3/4 npt(f) inlet check valves, (1) npt 4–ported manifold, (2) 1 in npt(f) outlet gate valves, mounting bracket, 400w 230 VAC heaters, RTD sensor, and 8 pin connector box.
289208	Compact Heated Regulator

## Accessory Extension Cables

Use to connect fluid control devices and heated hoses to the electrical control enclosure.

Part No.	Description
Connect between controller and heated hose	
129300	15 ft, 12 pin to 12 pin
129301	25 ft, 12 pin to 12 pin
Connect between controller and heated accessory	
129302	15 ft, 12 pin to 8 pin
129303	25 ft, 12 pin to 8 pin
Connect between controller and heated devices	
129703	25 ft, 12 pin to (2) 8 pin
129304	50 ft, 12 pin to (2) 8 pin
Connect between two heated devices	
15C294	30 ft, 8 pin to 8 pin

## Light Tower Kit, 24W589

### Tie Rod Kits

Use to retrofit Check-Mate 800 Displacement Pump to an existing Therm-O-Flow system.

Part No.	Description
24V750	Bulldog® and Senator® Tie Rod Kit; see manual 334131
24V754	NXT® Tie Rod Kit; see manual 334132

## Heated Hoses and Fittings

**NOTE:** Refer to Heated Hose, Instructions-Parts manual 3A4241 for additional information about heated hoses. See **Related Manuals** on page 3.

Hose Diameter	-6 (9/16 in -18 JIC)	-8 (3/4 in -16 JIC)	-10 (7/8 in -14 JIC)	-12 (1-1/16 in -12 JIC)	-16 (1-5/16 in -12 JIC)	-20 (1-5/8 in -12 JIC)
<b>Hose Length</b>						
3 ft (1 m)	None	None	None	19M410	None	None
4 ft (1.2 m)	None	19M400	None	None	None	None
6 ft (1.8 m)	None	19M401	19M404	19M411	19M416	None
10 ft (3 m)	19M423	19M402	19M405	19M412	19M417	19M421
15 ft (4.6 m)	None	19M403	19M406	19M413	19M418	19M422
20 ft (6 m)	None	None	19M407	19M414	19M419	None
25 ft (7.6 m)	None	None	19M408	19M415	19M420	None
30 ft (9 m)	None	None	19M409	None	None	None
<b>Pump Fittings</b>						
TOF 20/200 PUMP 1-11 1/2 DUAL OUTLET ADD 120263	16V432 100380	253267	253268	120260	120261	120262
TOF MINI 5 PUMP 1/2 NPT DUAL OUTLET ADD 120241	16V432	C20678	C20679	C38006	158586	120804 120268
<b>Hose to Hose Fittings</b>						
-6 Hose (.308 ID)	125779	123684	123683	123683 120265	123683 120265 120267	None
-8 Hose (.401 ID)	123684	120241	120242	120244	120244 120267	6308-82 126521
-10 Hose (.495 ID)	123683	120242	120243	120246	120246 120267	6308-82 126521
-12 Hose (.617 ID)	123683 120265	120244	120246	120247	120248	123135 126521
-16 Hose (.687 ID)	123683 120265 120267	120244 120267	120246 120267	120248	120249	120249 120268
-20 Hose (1.125 ID)	None	6308-82 126521	120246 120267 120268	123135 126521	120249 120268	120250
<b>Fittings</b>						
Compensator 51:1, 243657 Compensator 23:1, 243656 Inlet & Outlet: 1-11 1/2 in NPTF	16V432 100380	6308-82	123135 120266	123135	123854	15D936

<b>Hose Diameter</b>	<b>-6 (9/16 in -18 JIC)</b>	<b>-8 (3/4 in -16 JIC)</b>	<b>-10 (7/8 in -14 JIC)</b>	<b>-12 (1-1/16 in -12 JIC)</b>	<b>-16 (1-5/16 in -12 JIC)</b>	<b>-20 (1-5/8 in -12 JIC)</b>
Distribution manifold, 243697 Inlet: 3/4 in NPTF	16V432 100896	124286	15Y934	C20708	125661	125661 120268
Distribution manifold, 243697 Outlet: 1-11 1/2 in NPTF	16V432 100380	6308-82	123135 120266	123135	123854	15D936
Compact Heated Regulator, 289208 Inlet & Outlet: 3/8 in NPTF	16V432 100896	121311	116765	116766	116766 120267	116766 120267 120268
Mastic Regulator, 243700 Inlet & Outlet: 3/4 in NPTF	16V432 100896	124286	15Y934	C20708	125661	125661 120268
Top and bottom feed guns with and without switch, 249512, 249513, 249514, 249515 Inlet: 7/8-14 (JIC -10) male	117677	120264	None	120265	None	None
Standard, High Flow & Snuff-back Dispense valves, 243694, 244951, 244909 Inlet: 1/2 NPTF	16V432	124287	C20768	94/1027/99	125662	125662 120268
Distribution header, 243701 Inlet: 1/2 NPTF	16V432	124287	C20768	94/1027/99	125662	125662 120268
Precision Gear Meter PGM Inlet: 1-5/16-12 o-ring face seal	None	None	None	124238	124239	124240
Precision Gear Meter PGM Outlet: 3/4 NPTF	16V432 100896	124286	15Y934	C20708	125661	125661 120268
PCF Metering System Inlet & Outlet: 3/4 NPTF	16V432 100896	124286	15Y934	C20708	125661	125661 120268

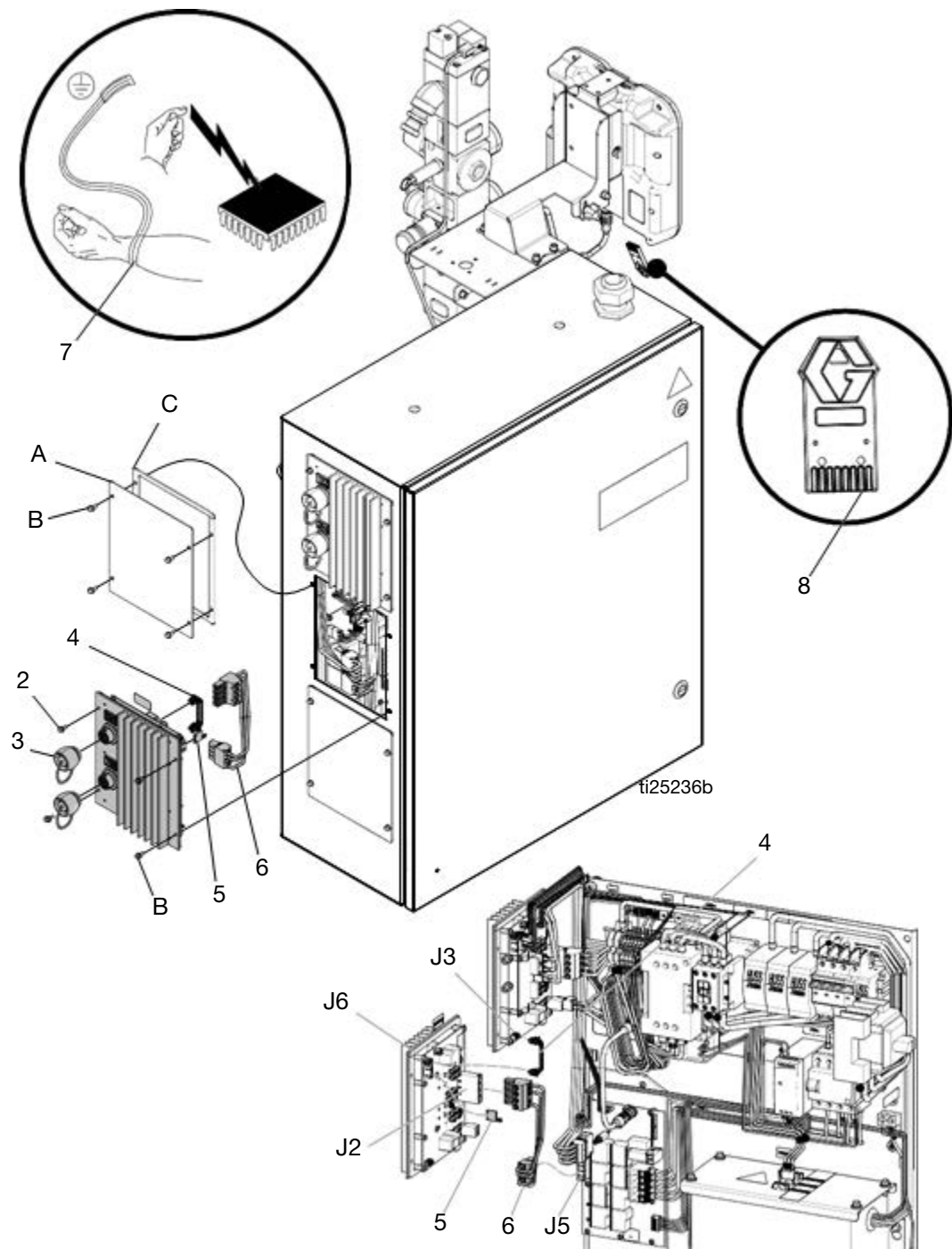
## 8 Channel Upgrade Kit, 24V755

Use this kit to upgrade a 4 Channel system to an 8 channel system.

Ref	Part	Description	Qty
1	---	MODULE, GCA, MZLP	1
2	125856	SCREW, 8-32, serrated flange	4
3	16T440	CAP, souriau, UTS14	2
4	127511	CABLE, board, samtec	1

Ref	Part	Description	Qty
5	16W035	CONNECTOR, jumper	1
6	17A544	HARNESS, power, MZLP2, AWB	1
7	112190	STRAP, wrist, grounding	1
8	17C712	TOKEN, software upgrade	1





## 8 Zone Upgrade Kit Installation



1. Disconnect the plug from the power outlet or turn off the circuit breaker for incoming power.

2. Place the grounding wrist strap (7) over your wrist and secure the other end to a grounded surface.
3. Set the kit's MZLP (1) rotary switch to "2" on a primary system or "6" on a secondary system.

## Accessories and Kits

4. Remove the screws (B), the plate (A), and the gasket (C) from the system. Use the screws (2) to install the MZLP (1) onto the system as shown.

**NOTE:** The new MZLP (1) will be referred to as MZLP2, and the original MZLP that came with the system will be referred to as MZLP 1.

5. Open the Electrical Enclosure door.

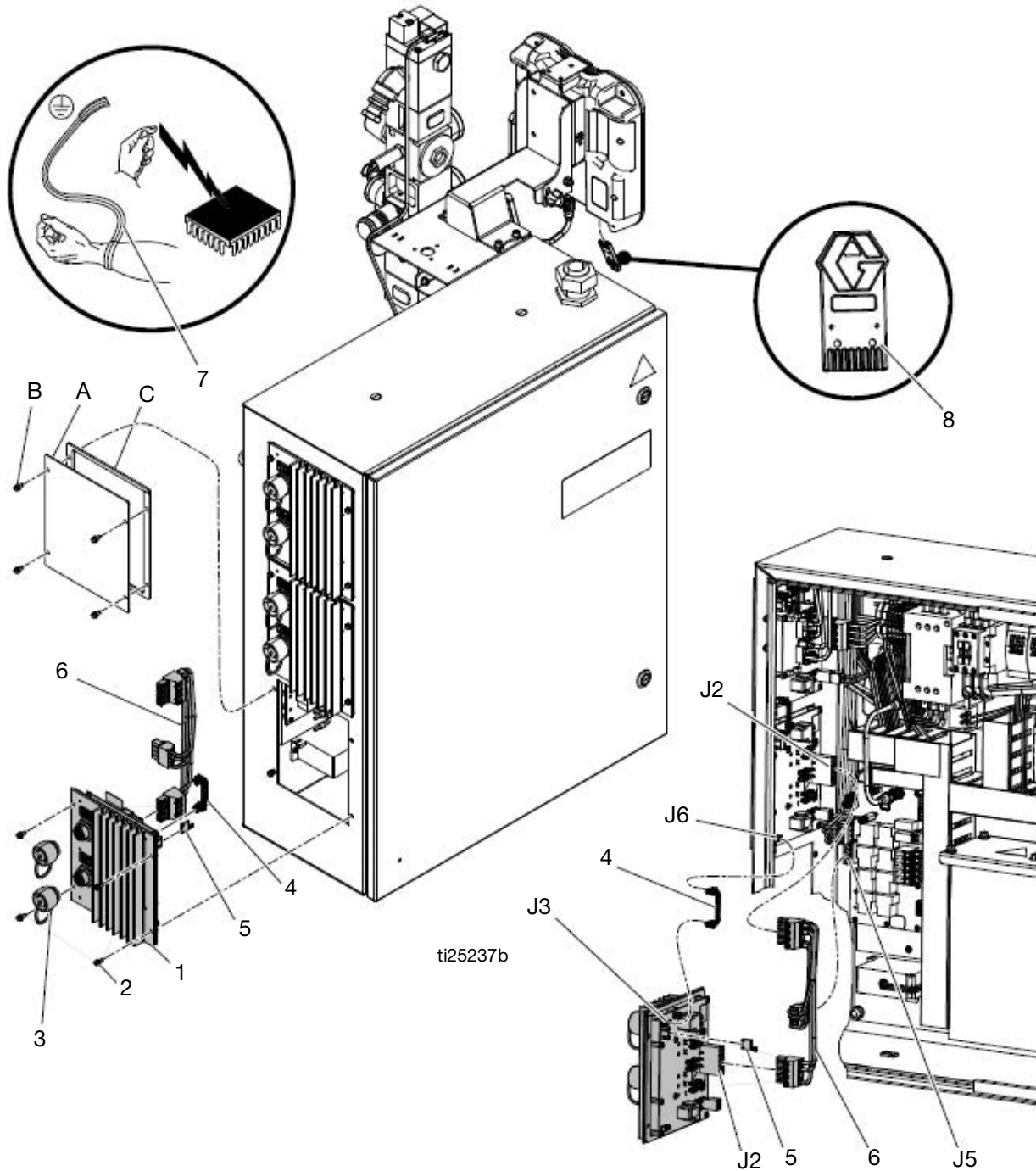
**NOTE:** Do not force the electrical connection. Minimal force is required to seat the connector. If resistance is felt, stop, and verify the connector orientation.

6. Connect the cable (4) to the J3 connector on MZLP 1 and the J6 connector on MZLP 2.
7. Connect the power harness (6) to the MZLP 2 J2 connector and the J5 connector on the AWB. Install the jumper (5) on the MZLP 2 J5 connector.
8. Use fittings and hoses that meet your hose routing needs. See **Accessories and Kits**, page 92.
9. To ensure your system has the latest software, insert the token (8) into the ADM. See **Update Software**, page 60.

# 12 Channel Upgrade Kit, 24V756

Use this kit to upgrade an 8 channel system to a 12 channel system.

Ref	Part	Description	Qty	Ref	Part	Description	Qty
1	---	MODULE, GCA, MZLP	1	6	17A545	HARNESS, power, MZLP2/3, AWB	1
2	125856	SCREW, 8-32, serrated flange	4	7	112190	STRAP, wrist, grounding	1
3	16T440	CAP, souriau, UTS14	2	8	17C712	TOKEN, software upgrade	1
4	127511	CABLE, board, samtec	1				
5	16W035	CONNECTOR, jumper	1				



## 12 Zone Upgrade Kit Installation



1. Disconnect the plug from the power outlet or turn off the circuit breaker for incoming power.
2. Place the grounding wrist strap (7) over your wrist and secure the other end to a grounded surface.
3. Set the kit's MZLP (1) rotary switch to "3" on a primary system or "7" on a secondary system.
4. Remove the screws (B), plate (A), and the gasket (C) from the system. Use the screws (2) to install the MZLP (1) on to the system as shown.

**NOTE:** The new MZLP (1) will be referred to as MZLP 3, and the other two that came with the system will be referred to as MZLP 1 and MZLP 2.

5. Open the Electrical Enclosure door.

**NOTE:** Do not force the electrical connection. Minimal force is required to seat the connector. If resistance is felt, stop, and verify the connector orientation.

6. Connect the cable (4) to the J3 connector on MZLP 2 and the J6 connector on MZLP (1). Remove the existing power cable from MZLP 2 J2 and AWB J5 connector.
7. Connect the power harness (6) to MZLP 2 and the MZLP 3 J2 connector and the J5 connector on the AWB.
8. See **Install Heated Hose**, page 17, to connect a heated hose or fluid control device.
9. To ensure your system has the latest software, insert the token (8) into the ADM. See **Update Software**, page 60.

# Appendix A - ADM

## General Operation

### ADM Power

The ADM automatically turns on when the Main Power Switch is turned on.

## Screen Navigation

To switch between the Setup and Operation screens,

press . Use the keypad to navigate between screens.

## Enable, Disable Heating System

To enable or disable the entire heating system, press

















. To set which channels are active when the heating system is enabled, use the Heat-A and Heat-B Setup screens.

# Icons

















## Screen Icons

These are frequently used icons on the screens. The following descriptions explain what each icon represents.

Icon	Description
	Primary System= A Secondary System = B
	Heating Disabled
	Warm Up, Actual temperature is outside of Target Temperature
	Reached Target Temperature
	Hose
	Gun
	Manifold
	PGM
	Flow Meter
	Pressure Regulator
	Other
	Advisory. See <b>Error Codes</b> for more information.
	Deviation. See <b>Error Codes</b> for more information.
	Alarm. See <b>Error Codes</b> for more information.

## Softkey Icons

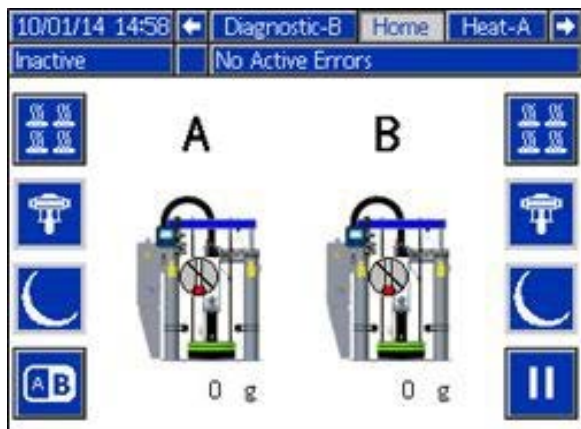
The following icons appear in the ADM, directly to the left or right of the soft key which activates that operation.

Icon	Description
	Pause Material Tracking
	Continue Material Tracking
	Pump Ready
	Setback
	Reset Cycle Counter (press and hold)
	Add or edit event
	Accept schedule
	Crossover for Tandem Systems
	Erase or cancel schedule
	Cancel
	Clear
	Schedule Event On/Off
	Heat On/Off
	View Software Contents
	Reprogram token with file from USB stick
	Start USB to Token Programming Process

## Operation Screens

### Home

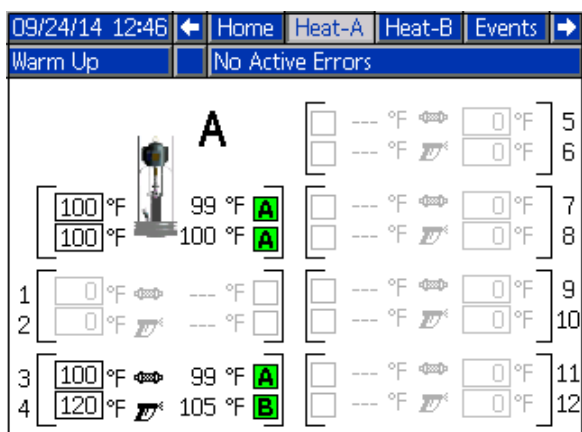
This screen shows the temperature state of the system and material usage.



**NOTE:** This screen shows the target and actual temperatures for all zones on the system.

### Heat A

This screen shows the target and actual temperatures for all zones on the system.



**NOTE:** The Heat-B screen shows information for an optional secondary system.

Color	A and B Zone Status
White	Off
Green	On and at setpoint temperature
Red	Outside of alarm range
Yellow	Outside of advisory range
Green/Yellow Flashing	Warmup

## Events

The Events screens store a maximum of 200 events. The events list can be downloaded in the USB logs. See **Appendix B - USB Data**, page 110.

Date	Time	Code	Description
09/24/14	12:35	EHTA	At Temp Unit A
09/24/14	12:35	EHHA	Heat Soak Started Unit A
09/24/14	12:34	EAAA	Heat On Unit A
09/24/14	12:34	EBPA	Pump Off Unit A
09/24/14	12:34	ECOX	Setup Value(s) Changed
09/24/14	12:34	EAB	Heat On Unit B
09/24/14	12:34	ECOX	Setup Value(s) Changed
09/24/14	12:34	EAPA	Pump On Unit A
09/24/14	12:34	EHTA	At Temp Unit A
09/24/14	12:34	EHHA	Heat Soak Started Unit A

Tracked Events
Custom Language Downloaded
Custom Language Uploaded
Fill Valve Closed
Fill Valve Open
Heat Off
Heat On
Logs Downloaded
Pump Cycles Total Reset
Pump Off
Pump On
Red Stop Button Pressed
Setup Value Changed
System Power Off
System Power On
System Settings Downloaded
System Settings Uploaded
USB Disabled
USB Drive Inserted
USB Drive Removed
User Maintenance Count Reset

**Errors**

Date	Time	Code	Description
09/24/14	12:41		Warm Up
No Active Errors			
09/24/14	11:00	T3AE	High Temp. Platen
09/24/14	10:54	T3AE	High Temp. Platen
09/24/14	10:50	T6B3	Sensor Err. CH3 Zone
09/24/14	10:50	CAC4	Comm. Error MZLP 4
09/24/14	10:50	CACY	Comm. Error System I/O, Unit B
09/24/14	10:48	T6B3	Sensor Err. CH3 Zone
09/24/14	10:48	V8M4	No Voltage Line MZLP 4
09/24/14	10:48	L2BX	Drum Empty Unit B
09/24/14	10:48	CAC4	Comm. Error MZLP 4
09/24/14	10:47	CAC4	Comm. Error MZLP 4

The Errors screens store a maximum of 200 errors. See **Error Codes**. Download the errors list in the USB logs. See **Appendix B - USB Data**, page 110.

**Diagnostic - A**

Heat Ready		No Active Errors	
Pump:	0.00 A	130.6 °F	0 %
Platen:		121.3 °F	0 %
Zone 1:	0.00 A		0 %
Zone 2:	0.00 A		0 %
Zone 3:	0.66 A	119.1 °F	4 %
Zone 4:	0.00 A		0 %
Zone 5:	0.00 A		0 %
Zone 6:	0.00 A		0 %
Zone 7:	0.00 A		0 %
Zone 8:	0.00 A		0 %
Zone 9:	0.00 A		0 %
Zone 10:	0.00 A		0 %
Zone 11:	0.00 A		0 %
Zone 12:	0.00 A		0 %

**A      B      C**

This screen shows details of various items to aid in troubleshooting the system. This screen can be hidden by de-selecting “Enable Diagnostics Screen” on the System 3 screen. The flow rate updates every 15–20 seconds with average flow rate over the last 15–20 seconds.

**NOTE:** Diagnostic - B shows information for an optional secondary system.

The following information is displayed.

	Diagnostic Data
A	Current Draw
B	RTD Reading
C	Duty Cycle

**CAN:** 24 VDC power supply voltage reading (18-28 VDC)

**DI:** System Digital Inputs

- 0: Drum Empty
- 1: Drum Low
- 2: Pump Cycle Switch Up
- 3: Pump Cycle Switch Down

**DO:** System Digital Outputs

- 0: Pump Solenoid
- 1: Not Used
- 2: Not Used
- 3: Not Used

**ISO DI:** Customer Digital Inputs

See **Connect PLC (Hard Wired Interface Version)**, page 25.

**ISO DO:** Customer Digital Outputs

See **Connect PLC (Hard Wired Interface Version)**, page 25.

**Fan:** Current to fan

**Heat Soak:** Set time for Platen to heat after the Platen has reached set temperature.

**Life Cycles:** Total number of Pump cycles over the life of the system.

**MZLP 1:** Temperature on MZLP 1.

- 32-160°F (0-71 °C)

**Pump Sol:** Current draw of Pump solenoid.

- (0 mA - off)
- (150-250 mA - on)

**Pump CPM:** Pump cycles per minute.

**USB DL%:** Percentage complete, only applies when downloading USB data. 5 downloads will occur.

**Weight:** Weight of material dispensed over the life of the system.

**XFMRTemp:** Temperature of the transformer temperature sensor.

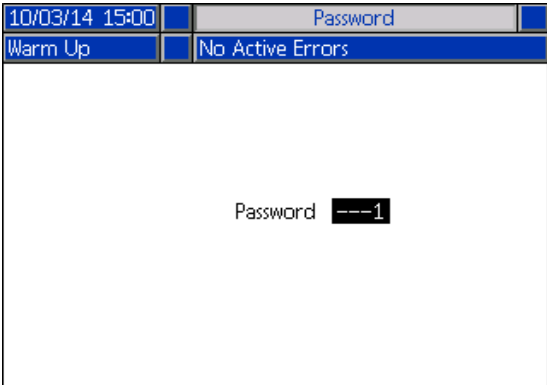


# Setup Screens

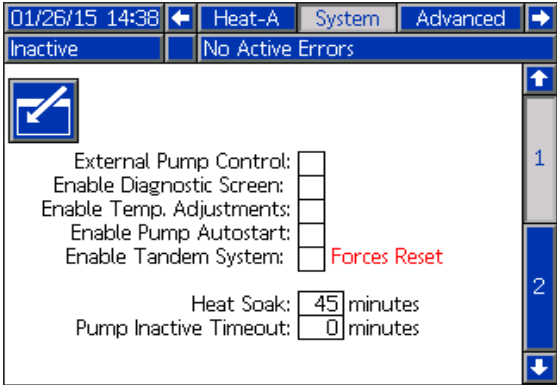
**NOTE:** It is important to set all settings in the System screens correctly to ensure optimal system performance.

## Password

If the password is not “0000”, the password must be entered to access the setup screens.



## System 1



**External Pump Control:** Enable feature that automatically turns on and off the Pump when using a handheld dispense gun with an integrated trigger switch.

**Enable Diagnostic Screen:** Choose whether to show

the Diagnostic screen.

**Enable Temp. Adjustments:** Allows temperature adjustments on the Heat-A and Heat-B Run screens.

**Enable Pump Autostart:** Automatically turns the Pump on after reaching setpoint temperature and heat soak is complete.

**Enable Tandem System:** Enable all secondary system ADM screens.

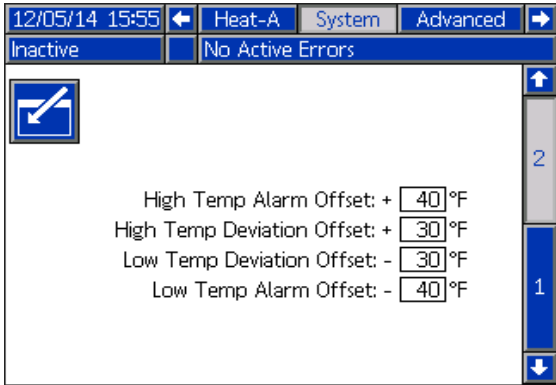
**Heat Soak:** Time for to preheat after all zones have reached their target temperatures. Pump cannot turn on until timer is complete. The heat soak is a user-defined time.

- Range: 1-120 minutes
- 0 disables heat soak

**Pump Inactive Timeout:** If no Pump movement is detected or either Pump for (x) amount of time, all heated zones enter setback mode. After an additional amount of time (x), the heat will turn off.

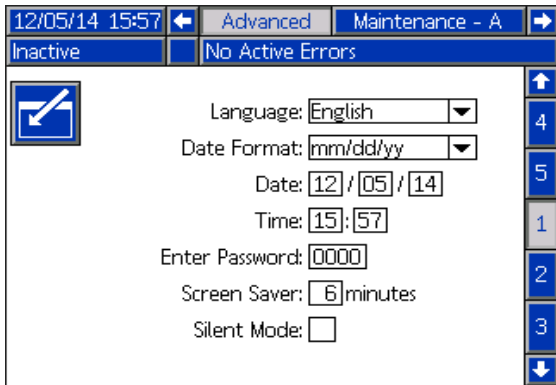
- (x) Range: 0-120 minutes
- 0 disables heat soak

## System 2



Enter low and high temperatures for an alarm or warning to occur.

## Advanced 1



**Language:** Language displayed on the screen.

**Date Format:** Choose the format of the date.

**Date:** Set the date.

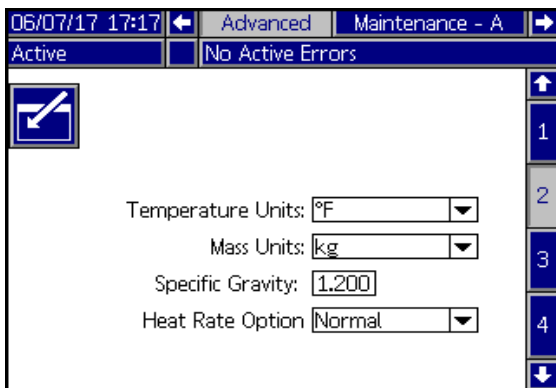
**Time:** Set the time.

**Enter Password:** If not "0000", the Setup screens will be password protected.

**Screen Saver:** The screen will go black after the set amount of time.

**Silent Mode:** Disable ADM sounds.

## Advanced 2



**Temperature Units:** Units of measure for displayed temperatures.

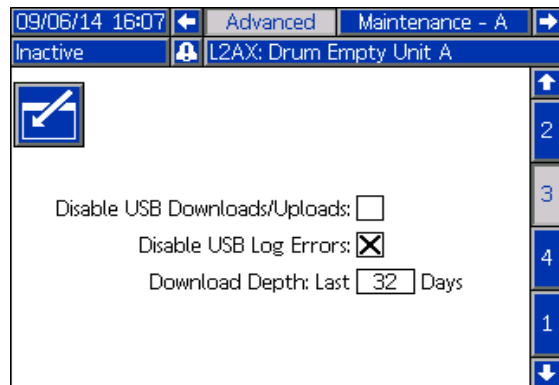
**Mass Units:** Units of measure for mass.

**Specific Gravity:** Required to convert the volume dispensed to mass dispensed for tracking the total weight and flow rate. When the specific gravity value is populated, the total mass dispense since the last total weight reset is shown on the Home screen and the mass flow rate is shown on the Diagnostic screen.

**NOTE:** If the Specific Gravity is set to zero, the Home screen will display a cycle counter instead of grams or pounds.

**Heat Rate Option:** Control option where the user can select the rate at which heat is applied to all zones enabled or selected. Three options are available, Normal (default), Fast, and Slow. The Warm Up system time would be shortest for the Fast option, then the Normal, and longest if the Slow option is selected. If the material set temperatures are less than 200° F (93° C), the Slow option may be best for the application.

## Advanced 3

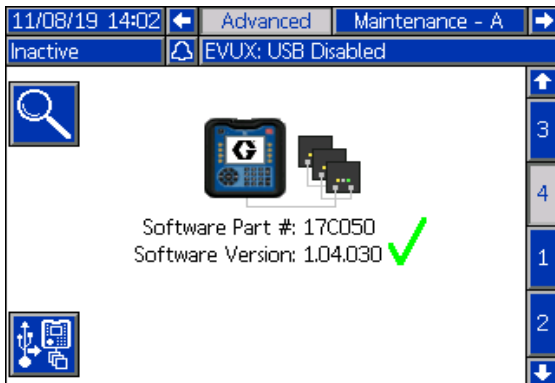


**Disable USB Downloads/Uploads:** Disables use of the USB for downloading and uploading.


**Disable USB Log Errors:** When disabled, the system will not warn the user when logs are full. If the logs are full, the oldest data will be overwritten.

**Download Depth: Last \_ Days:** The USB download will provide data as old as the number of days entered. Old data may be in memory but will not be downloaded if older than the number of days entered.

## Advanced 4




Advanced 4 screen allows the user to view the software contents within the Therm-O-Flow system, or to reprogram the system with a software update.

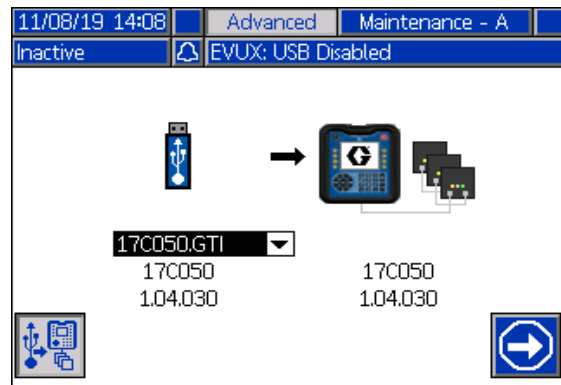
To view the software contents, press the  soft key icon. The screen will display the system software part numbers and version numbers as shown below.

Module	Software Part #	Software Version
Advanced Display	17C044	1.04.030
USB Configuration	17C049	1.02.002
Gateway:	17P796	3.01.004
Temp. Module 1	16T936	1.08.007
Temp. Module 2	16T936	1.08.007
Temp. Module 5	16T936	1.08.007
Temp. Module 6	16T936	1.08.007




If the software contents do not fit onto one screen, the user can navigate down to the next page by pressing the down arrow key.

Press the right arrow key to view the serial numbers of the software displayed on the next screen.

To reprogram the system with updated software, press the  soft key icon on the main Advanced 4 screen. The screen will appear as shown below.



To update the software:

1. Transfer the updated TOF .gti file (with a filename containing "17C050") onto a USB stick. Place the file in a "\GRACO\SOFTWARE\" subdirectory.
2. Insert a black programming token into the token slot of the ADM.
3. Insert the USB stick into the USB slot of the ADM. If the USB download option is selected, a graphic of a USB stick will appear after the download process is completed. The graphic will appear with a pull-down option control which allows the user to select the file to transfer to the programming token.
4. If more than one Therm-O-Flow .gti file is present in the "GRACO/SOFTWARE/" directory on the USB stick, select the correct file to transfer using the pull-down selection control.
5. Press the  soft key icon to start the USB to token programming process.
6. During the file transfer process, a progress bar will be displayed with a percentage completed indicator below. This step may take a few minutes to complete.
7. Once the percentage indicator reached 100%, the bottom right soft key will change to . Press the  soft key to update the system. To update the system (or another Therm-O-Flow system) at a later time, remove the token and reinsert it with a power cycle.
8. To exit the screen, press the "X" key until the main home run screen is shown.

### Heat - A

12/05/14 16:09		Schedule	Heat-A	System
Inactive		No Active Errors		
A	Pump	380	300	
	Platen	380	300	
Zone Type		380	300	A
1	Hose	380	300	<input type="checkbox"/>
2	Gun	380	300	<input type="checkbox"/>
3	Hose	380	300	<input type="checkbox"/>
4	Gun	380	300	<input type="checkbox"/>

12/18/14 13:16		Schedule	Heat-A	Heat-B
Inactive		No Active Errors		
Zone Type		380	300	A B
5	Hose	380	300	<input type="checkbox"/>
6	Gun	380	300	<input type="checkbox"/>
7	Hose	380	300	<input type="checkbox"/>
8	Gun	380	300	<input type="checkbox"/>
9	Hose	380	300	<input type="checkbox"/>
10	Gun	380	300	<input type="checkbox"/>
11	Hose	380	300	<input type="checkbox"/>
12	Gun	380	300	<input type="checkbox"/>

Use these screens to set target and setback temperatures for the Pump, Platen, and zones. Select which system needs to use the heated accessory.

#### Zone Types:

- Hose
- Gun
- PGM
- Flowmeter
- Pressure Regulator
- Manifold
- Other

**NOTE:** To ensure accurate hose and gun temperatures, set hose as zone 1, 3, 5, 7, 9, or 11 when connected to MZLP and a heated hose.

### Maintenance - A

09/06/14 16:12		Maintenance - A	Schedule
Inactive		L2AX: Drum Empty Unit A	
User	Due	Interval	Cycles
	0	0	
Totalizers		Cycles	
Pump	Current	Lifetime	
Weight	0	0	
	0.0	g	

The system will notify the user at the set interval that maintenance is required. The fields in boxes can be edited by the user. “Due” and “Current” are both the number of cycles since the last reset. “Interval” is the set number of cycles between maintenance notifications. “Lifetime” is the number of cycles in the lifetime of the system.

**NOTE:** The lifetime cycle count will only be reset if the ADM is replaced.

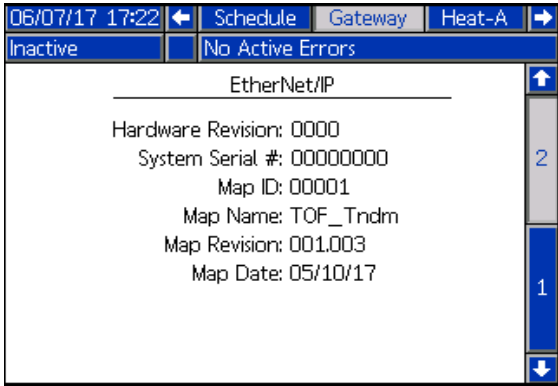
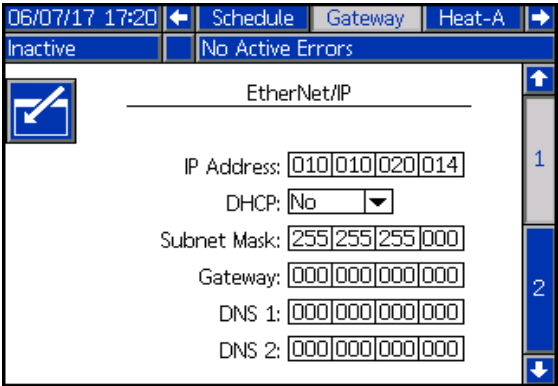
### Schedule

09/06/14 16:14		Schedule	Heat-A				
Inactive		L2AX: Drum Empty Unit A					
	Mon	Tue	Wed	Thu	Fri	Sat	Sun
	06:00	06:00	06:00				
	14:00	11:00	11:00				
		12:00	12:00				
		16:00	16:00				

Use this screen to set times that the system will automatically enable and disable heating. See **Schedule**, page 36.

### Gateway 1 and 2

If the Therm-O-Flow system has a communication gateway module (CGM) installed, an additional "Gateway" chapter containing 1 or 2 pages will be available in the setup screens. These pages enable the user to set the CGM IP or device address, configure the field bus protocol selections, and enable the user to view the mapping information programmed into the CGM module. The screens shown below illustrate the 2 pages provided if an Ethernet I/P CGM module is installed. Refer to manual 3A5186 for information on mapping and the screens available for the other field bus options.



## Appendix B - USB Data

The system can store 250,000 entries in its logs and the system adds a new entry to the logs every 15 seconds. This means the system stores 1041 hours of system operation data, or 43 days of around-the-clock operation. Once full, the system will overwrite the oldest data.

**NOTE:** To prevent losing any data, never go more than 43 days without downloading the logs.

### Download

#### NOTICE

Uploading an edited system configuration file can damage the system. Never put a modified SETTINGS.TXT file in the UPLOAD folder on the flash drive.

**NOTE:** The event log, error log, system settings, and system language files are all downloaded in this procedure.

1. Insert USB flash drive into USB port.

**NOTE:** Flash drive must be 8 GB or smaller.

2. The menu bar and USB indicator lights indicate that the USB is downloading files. Wait for USB activity to complete. A pop-up will be present until the transfer is complete if it is not acknowledged.

**NOTE:** If the pop-up screen does not appear, the flash drive is not compatible with the ADM. Try a different flash drive.

**NOTE:** The system can log up to 45 mb of additional data per week, depending on system operation.

### Access Files

All files downloaded from the USB are put in a DOWNLOAD folder on the stick drive. For example: "E:\GRACO\12345678\DOWNLOAD\". The 8-digit numeric folder name matches the 8-digit ADM serial number, which is located on the back of the ADM. When downloading from multiple ADMs, there will be one sub-folder in the GRACO folder for each ADM.

The log files should be opened in a spreadsheet program.

**NOTE:** If emailing the files, zip (compress) them to minimize file size.

### Upload

Upload a system configuration file and/or a custom language file. See **System Settings File**, page 111 or **System Language File**, page 112.

1. If necessary, follow the **Download Instructions**, page 110, to automatically generate the proper folder structure on the USB flash drive.
2. Insert USB flash drive into USB port of computer.
3. The USB flash drive window automatically opens. If it does not, open USB flash drive from within Windows Explorer.
4. Open Graco folder.
5. Open system folder. If working with more than one system, there will be more than one folder within the Graco folder. Each folder is labeled with the corresponding serial number of the ADM. (The serial number is on the back of the module.)
6. If installing the system settings file, place SETTINGS.TXT file into UPLOAD folder.
7. If installing the custom language file, place DISPTXT.TXT file into UPLOAD folder.
8. Remove USB flash drive from computer.
9. Install USB flash drive into Therm-O-Flow system USB port.
10. The menu bar and USB indicator lights indicate that the USB is uploading files. Wait for USB activity to complete.

11. Remove USB flash drive from USB port.

**NOTE:** If a custom language file was installed, users can now select the new language from the Language drop-down menu.

**NOTE:** If the SETTINGS.TXT or DISPTXT.TXT files remain in the UPLOAD folder, they will be uploaded every time the USB drive is inserted into the corresponding ADM. To avoid unintentionally overwriting system settings, delete the files from the UPLOAD folders on the USB drive after the upload is complete.

## USB Logs

During operation, the Therm-O-Flow stores system and performance related information to memory in the form of log files. The Therm-O-Flow maintains the events, data, GCA, Black Box, and Diagnostics logs. Follow the **Download Procedure**, page 110, to retrieve log files.

### Events Log

The event log (1-EVENT.CSV) maintains a record of the last 175,000 events. Each event record in the log file contains the date and time the event occurred, the event type, event code, and event description.

### Data Log

The data log (2-DATA.CSV) tracks the setpoint and actual temperatures every 15 seconds. This log can store up to 250,000 lines of data.

The system stores 1041 hours of system operation data, or 43 days of around-the-clock operation. Once full, the system will overwrite the oldest data.

## Change Log

The change log (3-CHANGE.CSV) tracks the changes to setpoint and setback temperatures.

## GCA Log

This log (4-GCA.CSV) lists the installed GCA modules and their respective software versions.

## Black Box, Diagnostics Log

These logs (5-BLACKB.CSV, 6-DIAGN.CSV) are designed to provide useful information to Graco when calling for technical assistance.

## System Settings File

### NOTICE

Uploading an edited system configuration file can damage the system. Never put a modified SETTINGS.TXT file in the UPLOAD folder on the flash drive.

The system configuration settings file name is SETTINGS.TXT and is stored in the DOWNLOAD folder.

A system configuration settings file automatically downloads each time a USB flash drive is inserted. Use this file to back up system settings for future recovery or to easily replicate settings across multiple Therm-O-Flow systems. Refer to the **Upload Instructions**, page 110, for how to use this file.

It is recommended to retrieve the SETTINGS.TXT file after all system settings are set as desired. Store the file for future use as a backup in case the settings are changed and need to be quickly changed back to the desired setup.

## System Language File

The system language file name is DISPTXT.TXT and is stored in the DOWNLOAD folder.

A system language file automatically downloads each time a USB flash drive is inserted. If desired, use this file to create a user-defined set of custom language strings to be displayed within the ADM.

The system is able to display the following Unicode characters. For characters outside of this set, the system will display the Unicode replacement character, which appears as a white question mark inside of a black diamond.

- U+0020 - U+007E (Basic Latin)
- U+00A1 - U+00FF (Latin-1 Supplement)
- U+0100 - U+017F (Latin Extended-A)
- U+0386 - U+03CE (Greek)
- U+0400 - U+045F (Cyrillic)

## Create Custom Language Strings

The custom language file is a tab-delimited text file that contains two columns. The first column consists of a list of strings in the language selected at the time of download. The second column can be used to enter the custom language strings. If a custom language was previously installed, this column contains the custom strings. Otherwise the second column is blank.

Modify the second column of the custom language file as needed and then follow the **Upload Instructions**, page 110, to install the file.

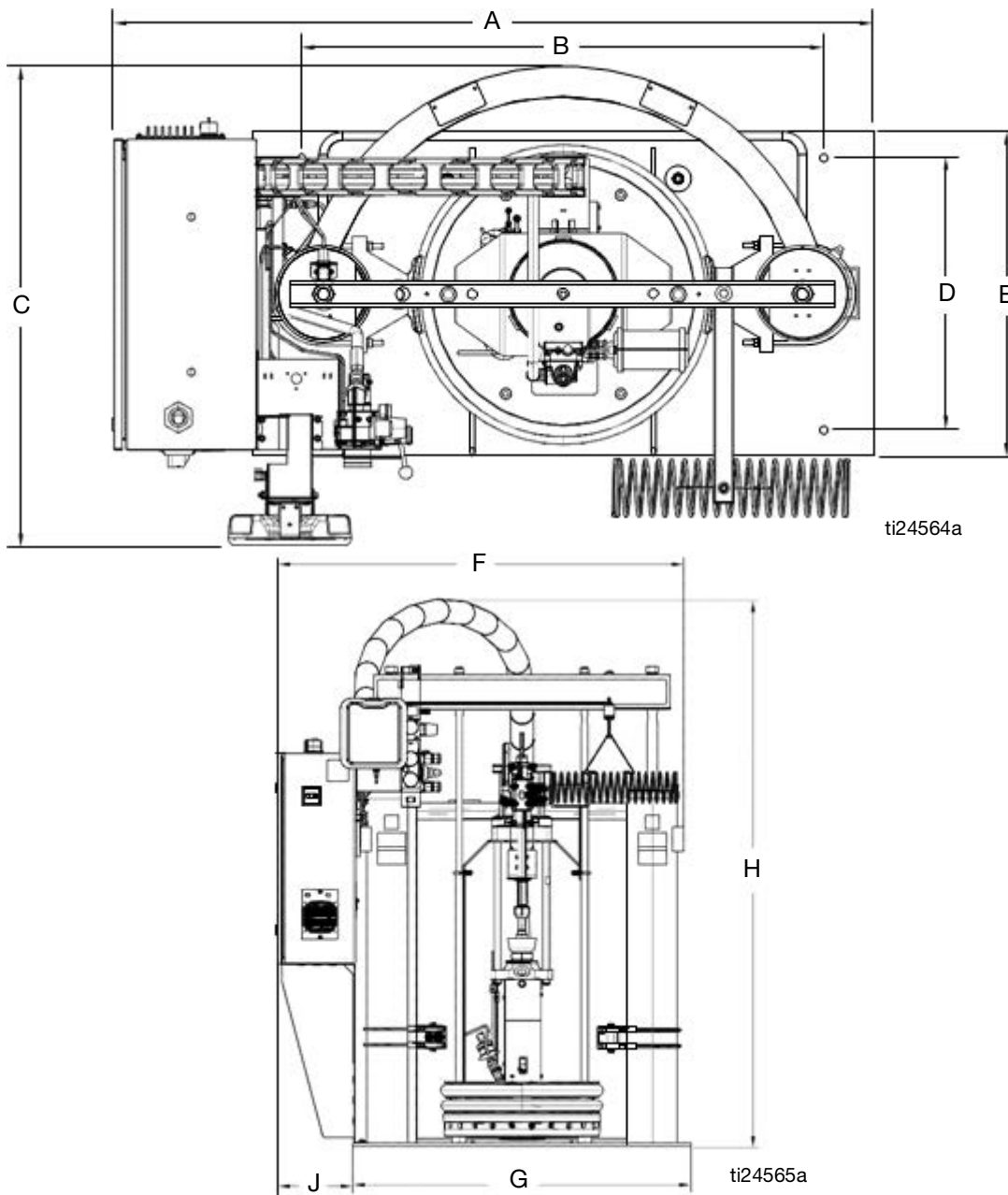
The format of the custom language file is critical. The following rules must be followed in order for the installation process to succeed.

1. The file name must be DISPTXT.TXT.
2. The file format must be a tab-delimited text file using Unicode (UTF-16) character representation.
3. The file must contain only two columns, with columns separated by a single tab character.
4. Do not add or remove rows to the file.
5. Do not change the order of the rows.
6. Define a custom string for each row in the second column.



# Dimensions

## Ram Mounting and Clearance



A	B	C	D	E	F	G	J
in. (mm)	in. (mm)	in. (mm)	in. (mm)	in. (mm)	in. (mm)	in. (mm)	in. (mm)
59 (1498.6)	40 (1016)	37 (939)	21 (533)	25 (635)	58 (1473)	48 (1219)	11 (279)

Height (H)	Dimensions
Fully Raised	110 in (2794 mm)
Fully Lowered	78 in (1981 mm)



# Technical Specifications

<b>Therm-O-Flow 200 Hot Melt System</b>		
	<b>U.S.</b>	<b>Metric</b>
Displacement Pump effective area	1.24 in. <sup>2</sup>	8 cm <sup>2</sup>
Volume per cycle	11.7 in. <sup>3</sup>	192 cm <sup>3</sup>
Pump cycles per 1 gallon (3.8 liters)	21	
Ram maximum input pressure	100 psi	0.7 MPa, 7 bar
Maximum Pump operating temperature	400°F	204°C
Air inlet size	3/4 npsm(f)	
Air motor sound data	See Air Motor instruction manual.	
Pump fluid inlet size	1 in. npt(f)	
Wetted Parts	carbon steel, brass, chrome, zinc, nickel plating, stainless steel (304, 316, 440, and 17-4 PH), alloy steel, ductile iron, PTFE	
<b>Maximum Fluid Working Pressure</b>		
23:1	2300 psi	15.9 MPa, 159 bar
36:1	3000 psi	20.7 MPa, 207 bar
70:1	3000 psi	20.7 MPa, 207 bar
<b>Maximum Air Input Pressure (Pumps)</b>		
23:1	100 psi	0.7 MPa, 7 bar
36:1	82 psi	0.57 MPa, 5.7 bar
70:1	43 psi	0.29 MPa, 2.9 bar
<b>Power Requirements</b>		
Compressed Air (typical)	25–50 scfm	
Voltage (as selected)	220/240 V, 3-phase, 50/60 Hz	
	380/400 V, 3-phase, 50/60 Hz	
	470/490 V, 3-phase, 50/60 Hz	
	600 V, 3-phase, 50/60 Hz	
<b>Peak Consumption</b> <i>(includes drum melt grid, pump, and a 6kVa transformer for the 230 V hoses and accessories)</i>		
with standard melt grid	27.1 kVa	
with Mega-Flo melt grid	30.2 kVa	
with smooth melt grid	27.1 kVa	

## California Proposition 65

### CALIFORNIA RESIDENTS

 **WARNING:** Cancer and reproductive harm – [www.P65warnings.ca.gov](http://www.P65warnings.ca.gov).

# Graco Standard Warranty

Graco warrants all equipment referenced in this document which is manufactured by Graco and bearing its name to be free from defects in material and workmanship on the date of sale to the original purchaser for use. With the exception of any special, extended, or limited warranty published by Graco, Graco will, for a period of twelve months from the date of sale, repair or replace any part of the equipment determined by Graco to be defective. This warranty applies only when the equipment is installed, operated and maintained in accordance with Graco's written recommendations.

This warranty does not cover, and Graco shall not be liable for general wear and tear, or any malfunction, damage or wear caused by faulty installation, misapplication, abrasion, corrosion, inadequate or improper maintenance, negligence, accident, tampering, or substitution of non-Graco component parts. Nor shall Graco be liable for malfunction, damage or wear caused by the incompatibility of Graco equipment with structures, accessories, equipment or materials not supplied by Graco, or the improper design, manufacture, installation, operation or maintenance of structures, accessories, equipment or materials not supplied by Graco.

This warranty is conditioned upon the prepaid return of the equipment claimed to be defective to an authorized Graco distributor for verification of the claimed defect. If the claimed defect is verified, Graco will repair or replace free of charge any defective parts. The equipment will be returned to the original purchaser transportation prepaid. If inspection of the equipment does not disclose any defect in material or workmanship, repairs will be made at a reasonable charge, which charges may include the costs of parts, labor, and transportation.

**THIS WARRANTY IS EXCLUSIVE, AND IS IN LIEU OF ANY OTHER WARRANTIES, EXPRESS OR IMPLIED, INCLUDING BUT NOT LIMITED TO WARRANTY OF MERCHANTABILITY OR WARRANTY OF FITNESS FOR A PARTICULAR PURPOSE.**

Graco's sole obligation and buyer's sole remedy for any breach of warranty shall be as set forth above. The buyer agrees that no other remedy (including, but not limited to, incidental or consequential damages for lost profits, lost sales, injury to person or property, or any other incidental or consequential loss) shall be available. Any action for breach of warranty must be brought within two (2) years of the date of sale.

**GRACO MAKES NO WARRANTY, AND DISCLAIMS ALL IMPLIED WARRANTIES OF MERCHANTABILITY AND FITNESS FOR A PARTICULAR PURPOSE, IN CONNECTION WITH ACCESSORIES, EQUIPMENT, MATERIALS OR COMPONENTS SOLD BUT NOT MANUFACTURED BY GRACO.** These items sold, but not manufactured by Graco (such as electric motors, switches, hose, etc.), are subject to the warranty, if any, of their manufacturer. Graco will provide purchaser with reasonable assistance in making any claim for breach of these warranties.

In no event will Graco be liable for indirect, incidental, special or consequential damages resulting from Graco supplying equipment hereunder, or the furnishing, performance, or use of any products or other goods sold hereto, whether due to a breach of contract, breach of warranty, the negligence of Graco, or otherwise.

## **FOR GRACO CANADA CUSTOMERS**

The Parties acknowledge that they have required that the present document, as well as all documents, notices and legal proceedings entered into, given or instituted pursuant hereto or relating directly or indirectly hereto, be drawn up in English. Les parties reconnaissent avoir convenu que la rédaction du présente document sera en Anglais, ainsi que tous documents, avis et procédures judiciaires exécutés, donnés ou intentés, à la suite de ou en rapport, directement ou indirectement, avec les procédures concernées.

# Graco Information

Sealant and Adhesive Dispensing Equipment

**For the latest information about Graco products, visit [www.graco.com](http://www.graco.com).**

**For patent information, see [www.graco.com/patents](http://www.graco.com/patents).**

**TO PLACE AN ORDER,** contact your Graco distributor, go to [www.graco.com](http://www.graco.com), or call to identify the nearest distributor.

**If calling from the USA:** 1-800-746-1334

**If calling from outside the USA:** 0-1-330-966-3000

*All written and visual data contained in this document reflects the latest product information available at the time of publication. Graco reserves the right to make changes at any time without notice.*

Original instructions. This manual contains English. MM 334130

**Graco Headquarters:** Minneapolis

**International Offices:** Belgium, China, Japan, Korea

**GRACO INC. AND SUBSIDIARIES • P.O. BOX 1441 • MINNEAPOLIS MN 55440-1441 • USA**  
**Copyright 2016, Graco Inc. All Graco manufacturing locations are registered to ISO 9001.**

[www.graco.com](http://www.graco.com)  
Revision V, August 2022