



ELEPHANT DESKS
DEEP IN THE WOODS

PREMIUM SOLID WOOD STANDING DESK ASSEMBLY INSTRUCTIONS

Hi,
Thanks for choosing an Elephant Desk.
Hope I can serve you well for years to come.

Yours always,



Some Things You Need to Know

This desk is for indoor use only, please keep it away from excessive heat and humidity environment.

Please keep children away from the parts of this desk as it may cause unexpected injuries.

Observe the entire moving range of this desk and keep any obstacles away from its range. Be mindful to spare enough length of any cables/cords to allow your desk to move freely.

Do not modify or open any components as such action avoids the warranty and introduces risk of injury.

Any inappropriate use of this desk would result in the loss of warranty coverage.

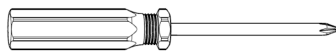
For the longevity of the motors, this desk is scheduled to operate no more than two minutes within a 20-minute time frame. When the schedule is full, the desk stops operating and the screen shows "dut" and rest time remaining (in minutes).

Please keep this manual with this desk even if one day it no longer belongs to you.

Right Before We Start

To protect your desktop during assembly, please assemble the desk on a clean and padded surface, the original box of the desktop may be a good choice if you cannot find a carpeted area.

The only tool that doesn't come with the box is a Phillips #2 head (PH2) screwdriver, please prepare one in advance.



There is no need to precisely torque every screw to a specific number, hand tightening with your guts is good enough. However, in case you are wondering, here's the torque spec table

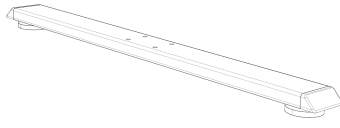
Page #	Step #	Torque Spec (in lbf.ft)
5	1, 2	3.0
6	3	3.0
6	4	2.6
7	6	2.6
7	7	3.0
9	10	3.2

Parts

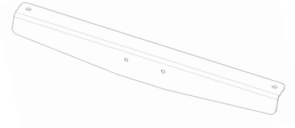
**Not to Scale*



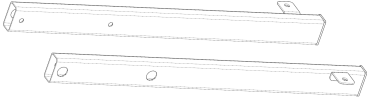
Ⓐ Lifting Column x2



Ⓑ Foot x2



Ⓒ Side Bracket x2



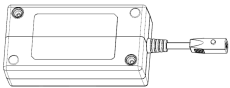
Ⓓ L+R Frame Pair x2



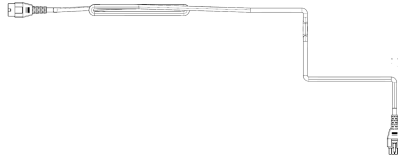
Ⓔ Center Rail x2



Ⓕ Memory Controller



Ⓖ Power Adapter



Ⓗ Leg Extension Cable



Ⓙ Power Cable



⓵ 5mm Hex Wrench



Ⓚ ST 3.5x16 Wood Screw x2



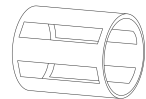
Ⓛ M6x8 Machine Screw x8



Ⓜ M6x10 Machine Screw x12



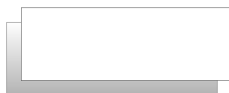
Ⓝ M6x16 Machine Screw x16



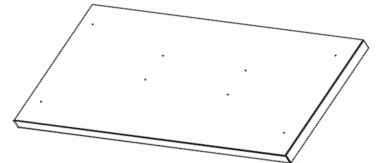
Ⓞ Screw Guide Sleeve x8



Ⓟ Cable Clip x8

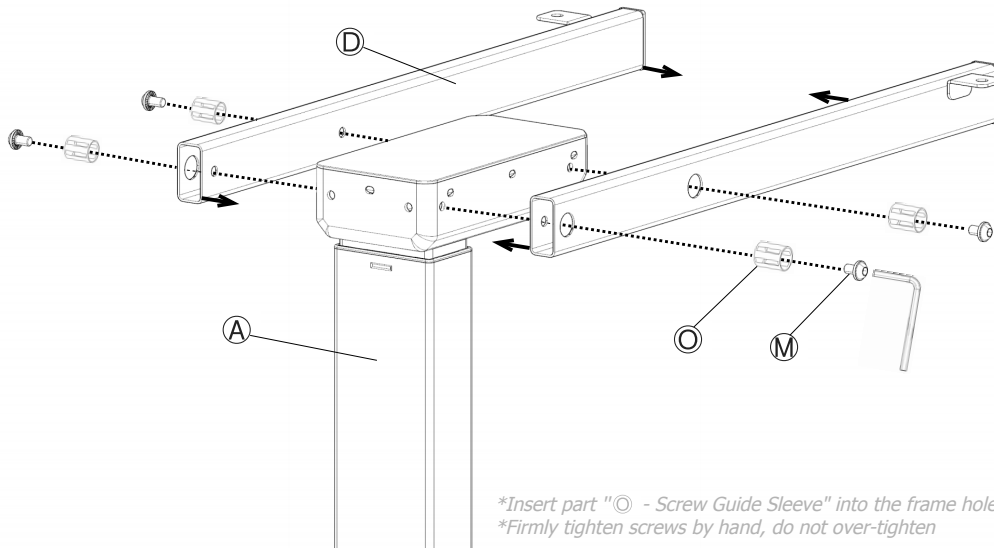


Ⓠ Hook and Loop Tape Pair
for Power Adapter

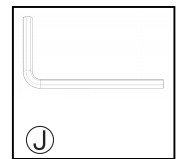
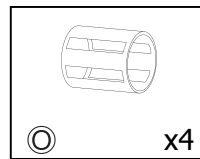
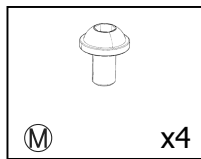
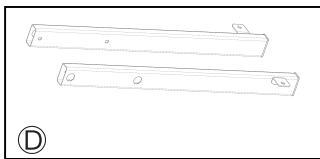
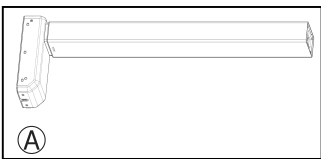


Ⓡ Desktop
*From **Desktop Box**

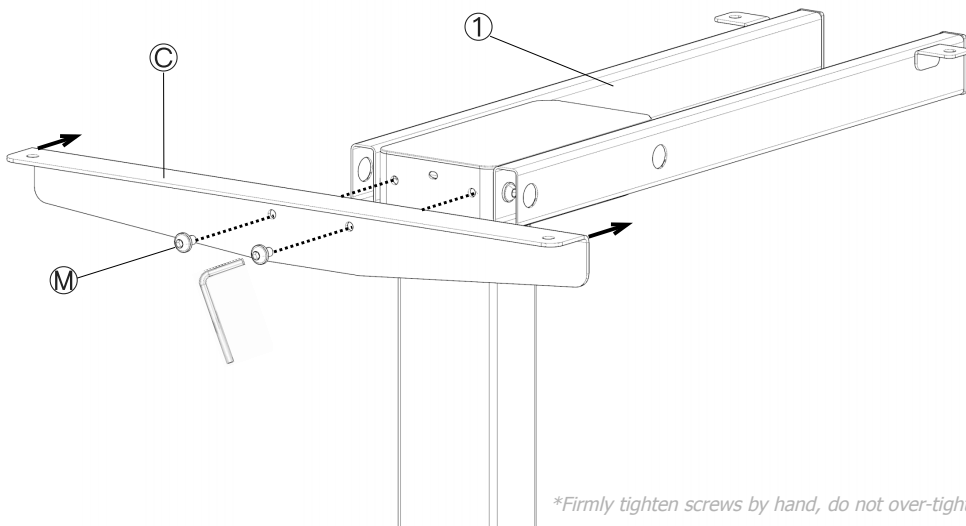
1



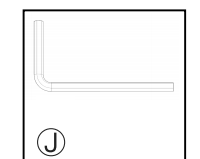
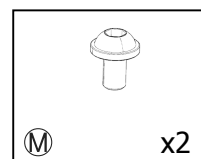
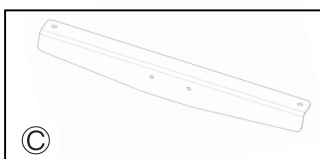
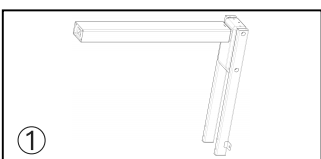
*Insert part "O - Screw Guide Sleeve" into the frame hole first to avoid screw drop
*Firmly tighten screws by hand, do not over-tighten



2



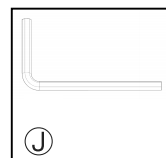
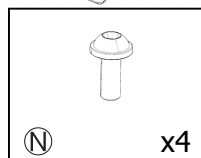
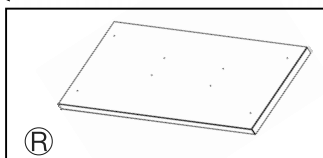
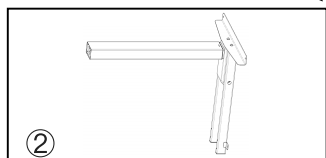
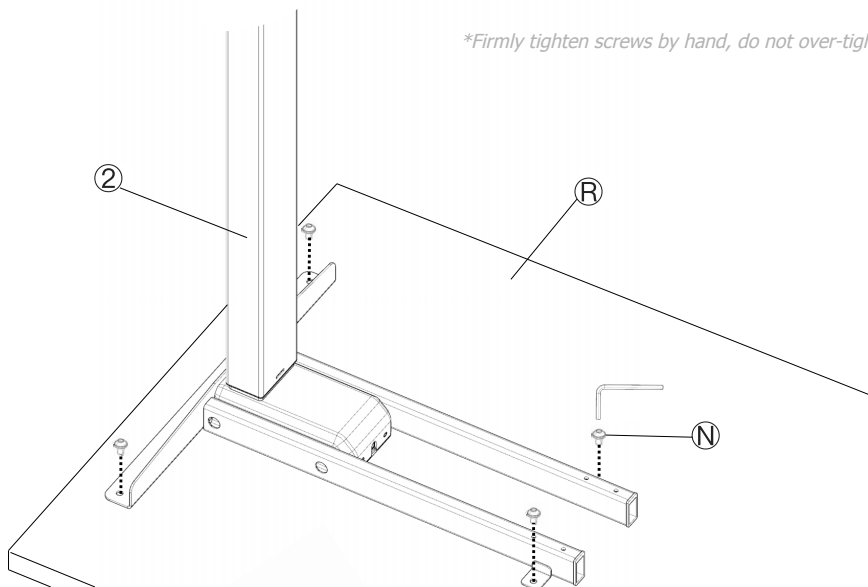
*Firmly tighten screws by hand, do not over-tighten



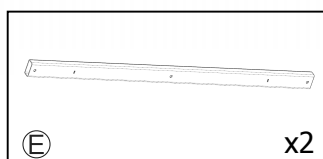
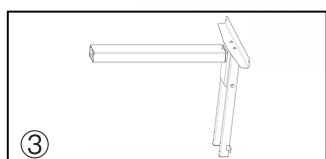
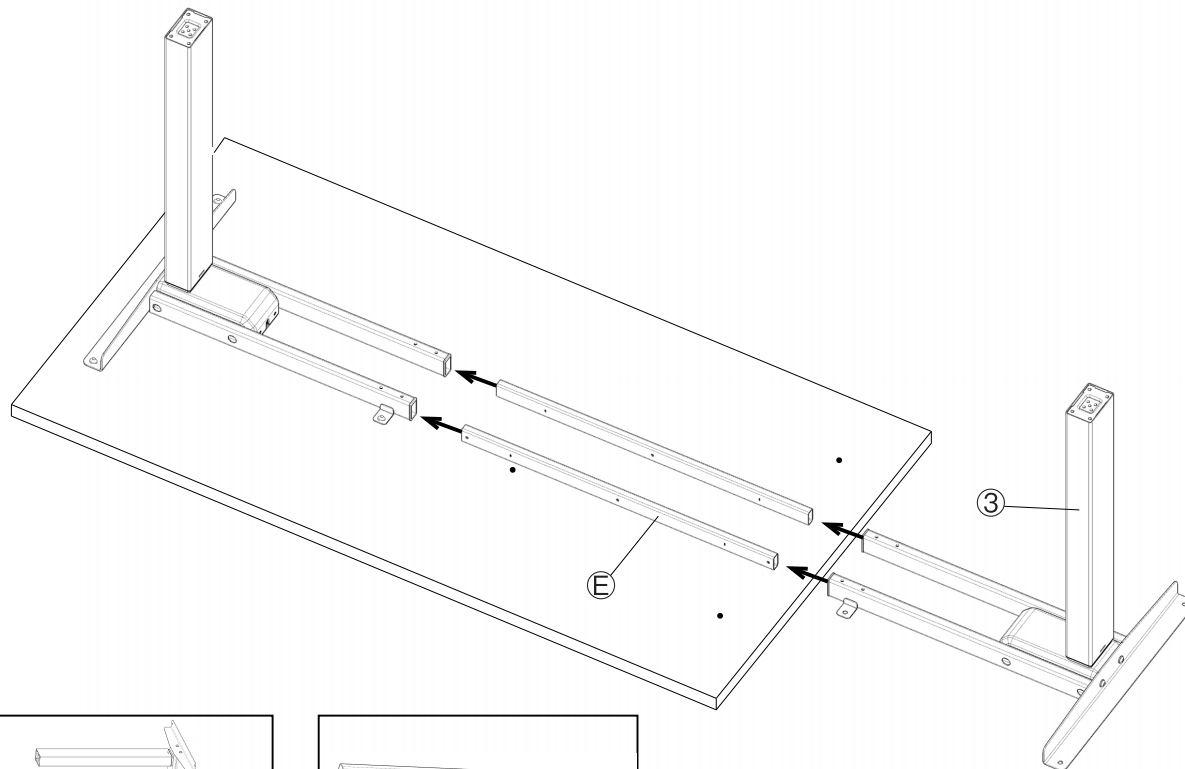
③ Repeat steps ① and ②

④

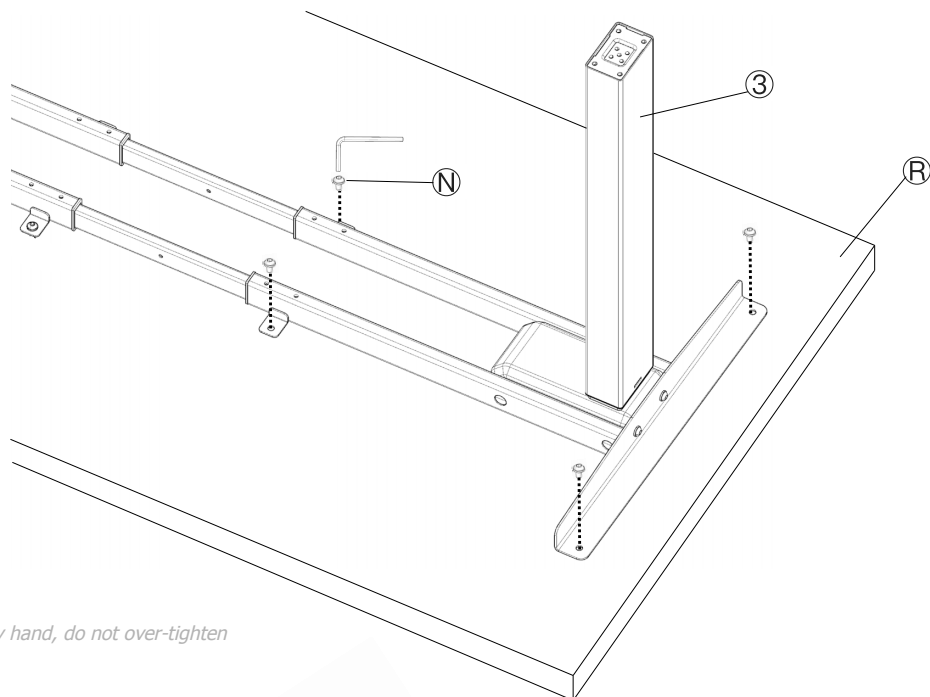
**Firmly tighten screws by hand, do not over-tighten*



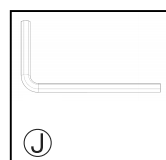
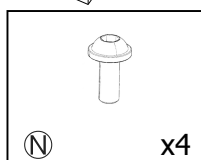
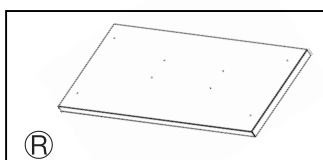
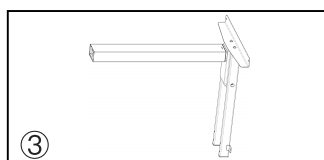
⑤



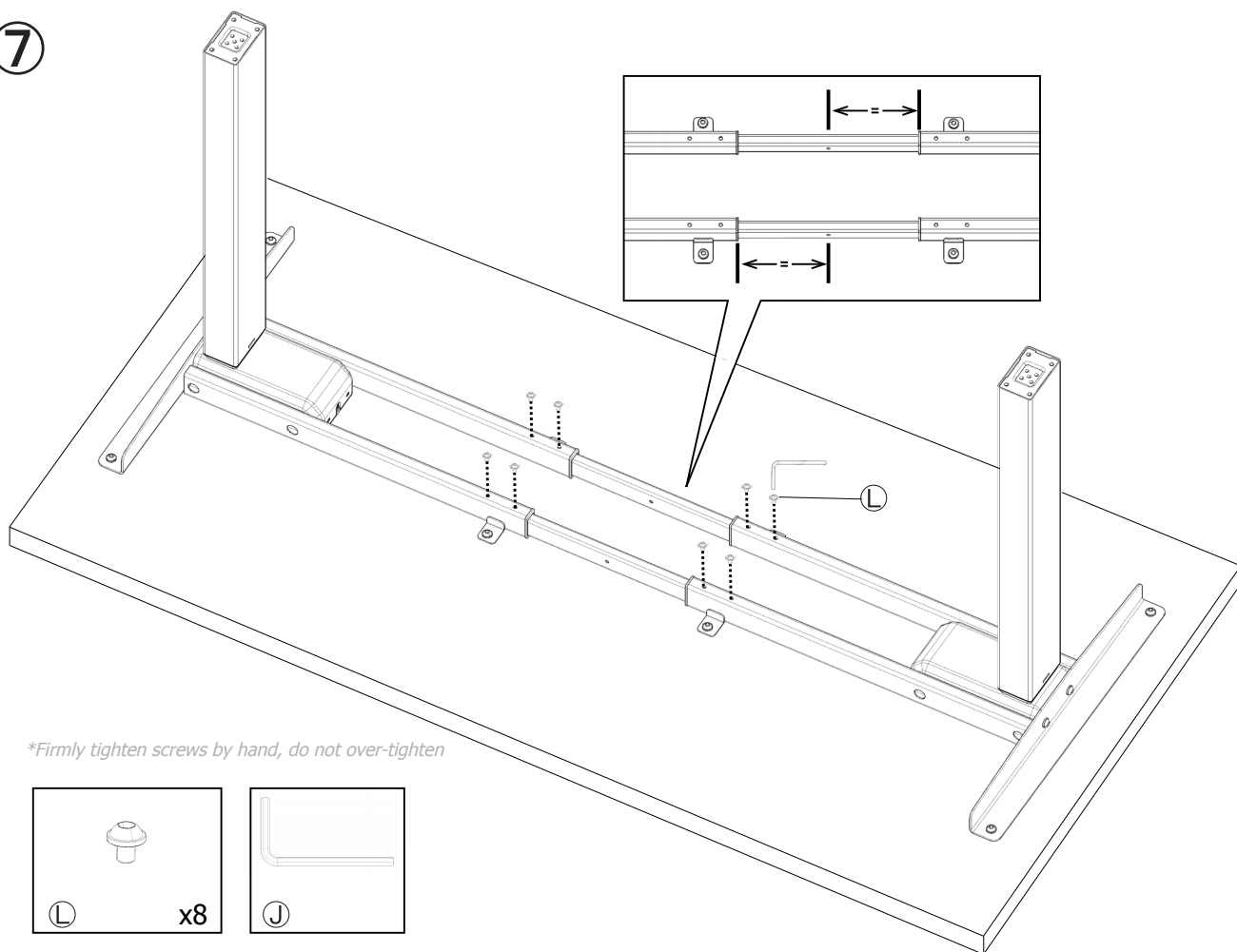
6



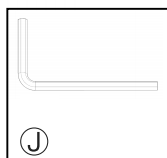
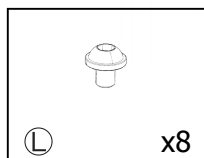
**Firmly tighten screws by hand, do not over-tighten*



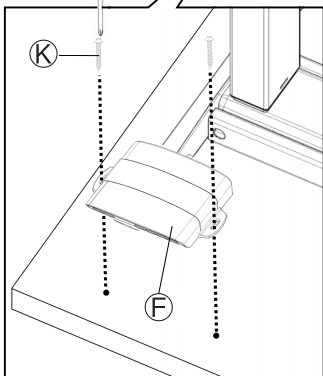
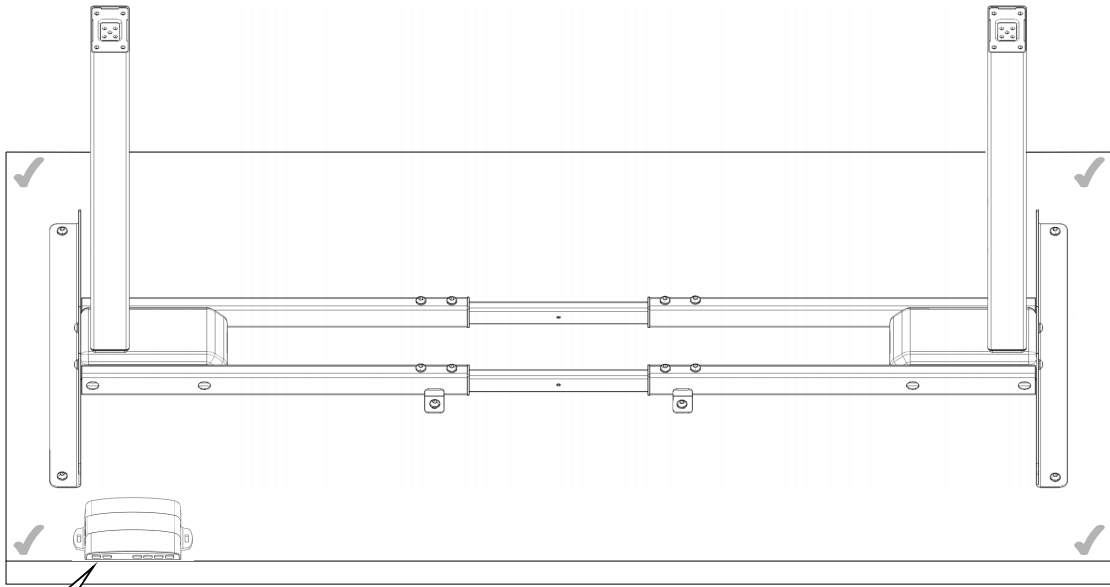
7



**Firmly tighten screws by hand, do not over-tighten*



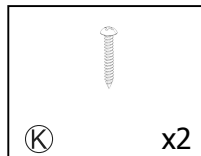
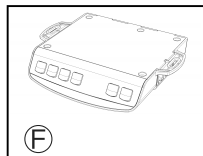
8



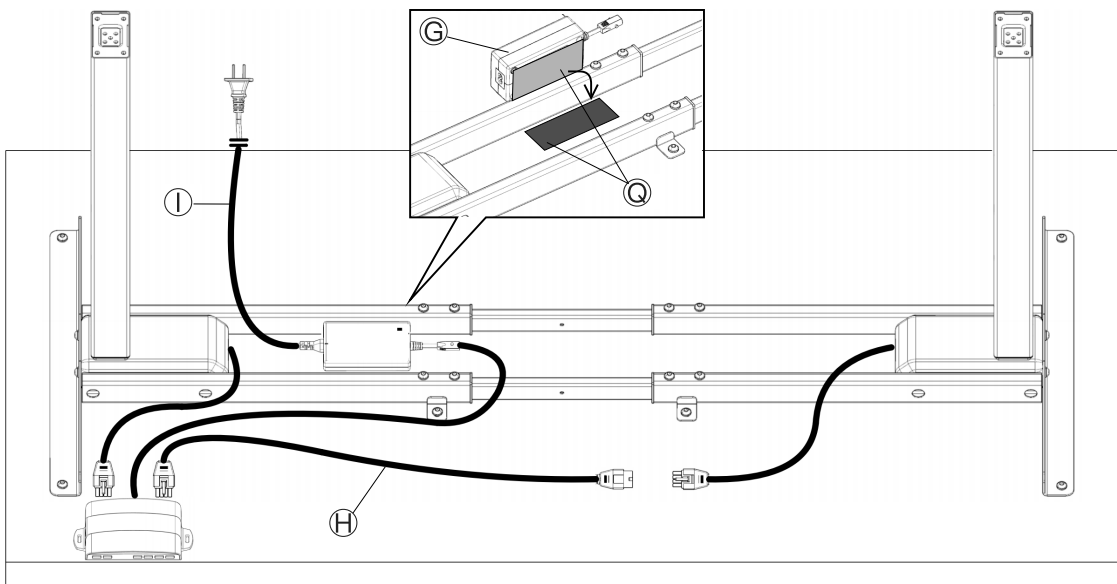
✓ Choose any one of the corners as preferred to mount the memory controller, note that the desktop is inverted

*Part "K - Wood Screw" is self-tapping screw capable of penetrating the wood surface by itself with a push and some turns

*A Phillips #2 (PH2) head screwdriver is recommended

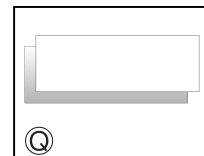
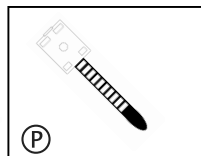
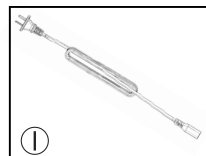
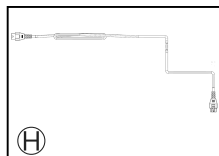
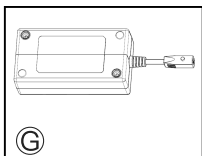


9

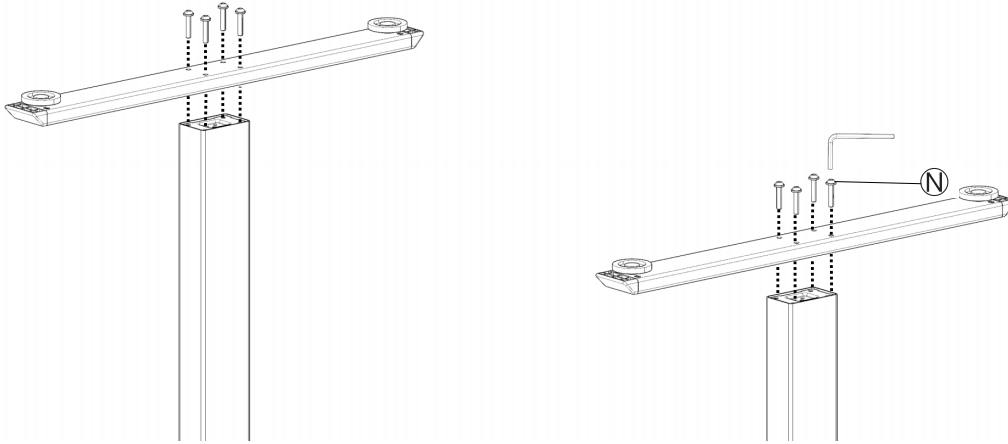


*Affix part "Q - Hook and Loop Tape Pair" to the power adapter and desktop surface, it is recommended to tape the softer loop side on the power adapter

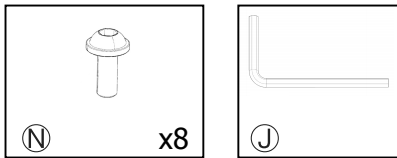
*Use part "P - Cable Clip" to help achieve your ideal cable management, place them where you see fit



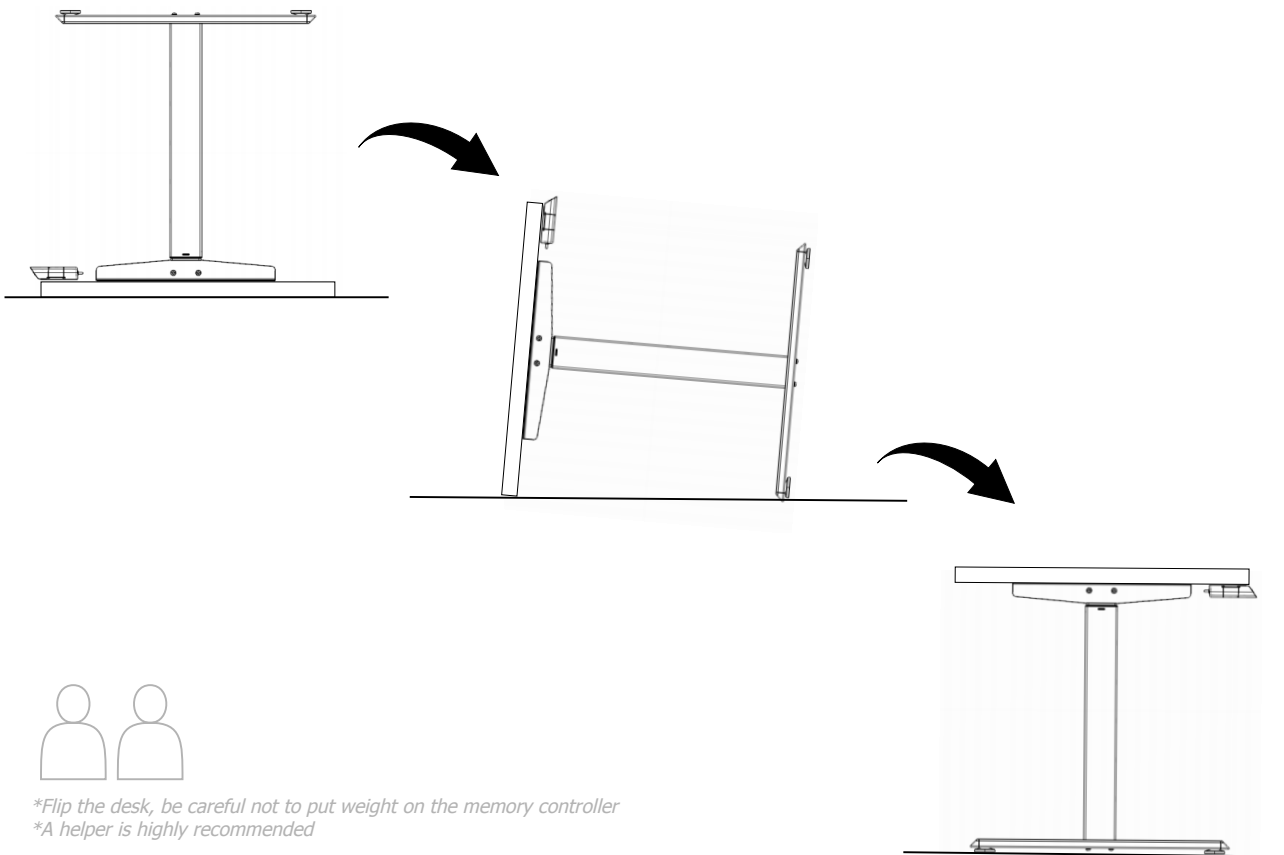
10



**Firmly tighten screws by hand, do not over-tighten*



11



**Flip the desk, be careful not to put weight on the memory controller
A helper is highly recommended

12 Initialize Your Desk

This operation calibrates your desk and keeps all the parts in sync. Critical yet easy.

Perform the following

- Plug into a wall outlet
- Press and hold the ▼ button, until the desk reaches the lowest height and the display flashes between "E-1" and "rES". Release the button
- With the display flashing between "E-1" and "rES", press and hold the ▼ button again, until the desk lowers slightly and rises back slightly. The display should be showing the lowest height number. Release the button
- You are all set, enjoy!

Programmable Memory Controller

There are three number buttons on the memory controller programmable to three height presets.

To program one

- Use ▲ or ▼ button to raise or lower your desk to a preferred height.
- Press and hold the **S** button for three seconds until the screen flashes "S - -". Release the button
- Press the number button where you want this height to be saved. Now the screen should be flashing between "(height number)" and "S - (button number)"
- Press **S** again to confirm. Now whenever you press this number button, your desk will return to this preferred height