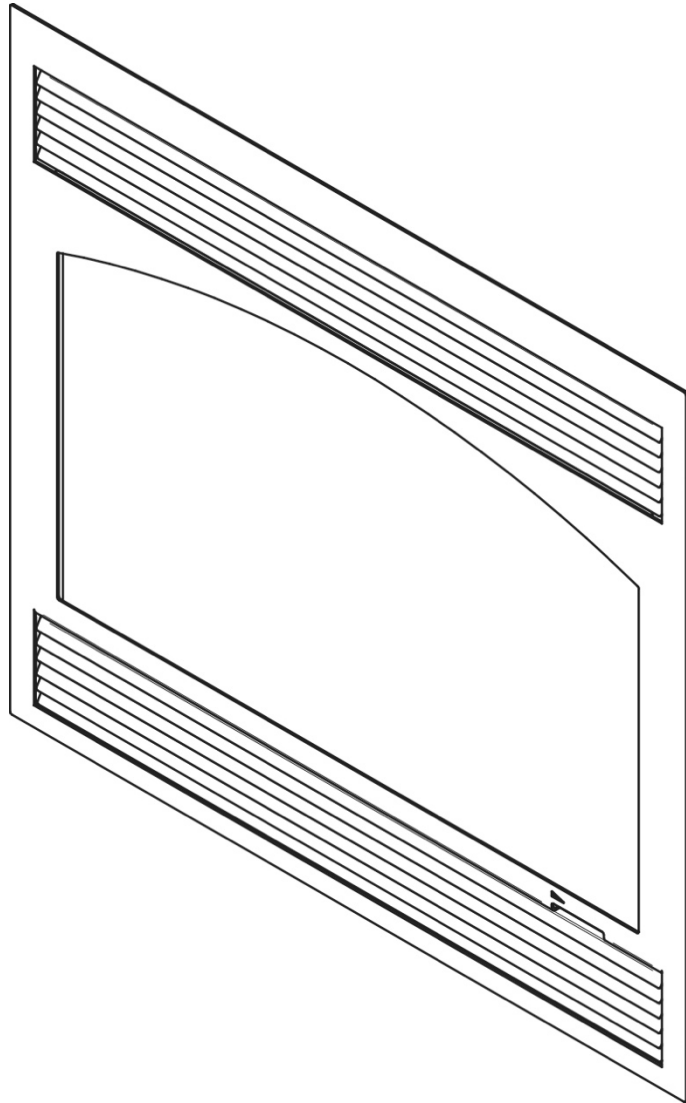




TRADITIONAL FACEPLATE 4300

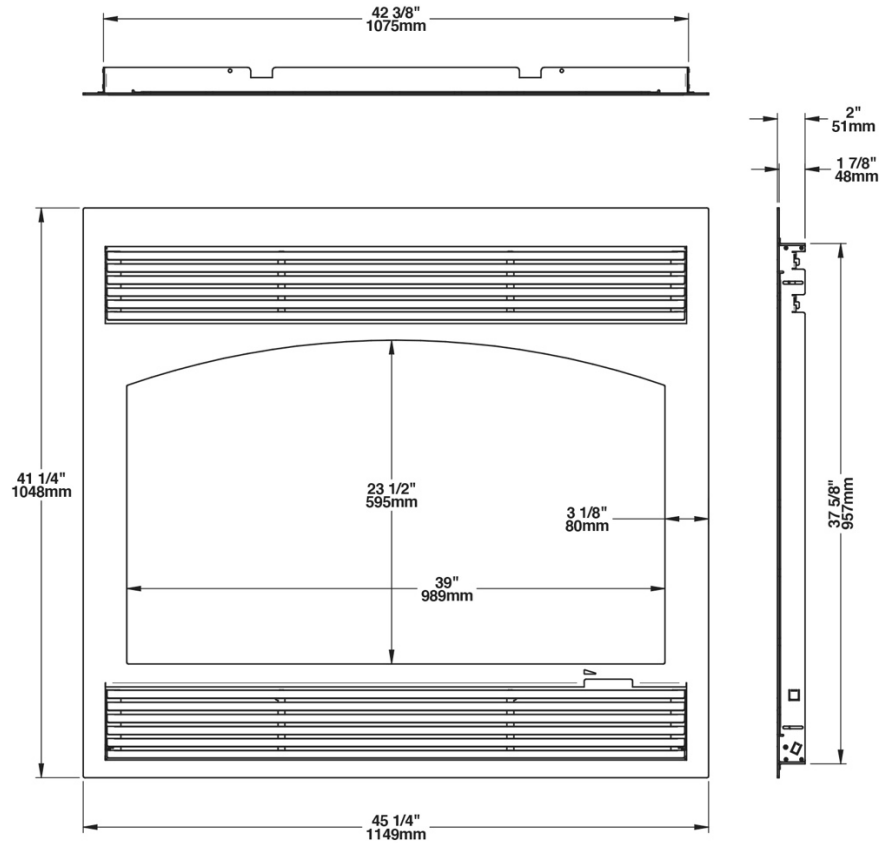
WF5TBL



This faceplate assembly contains the following part:

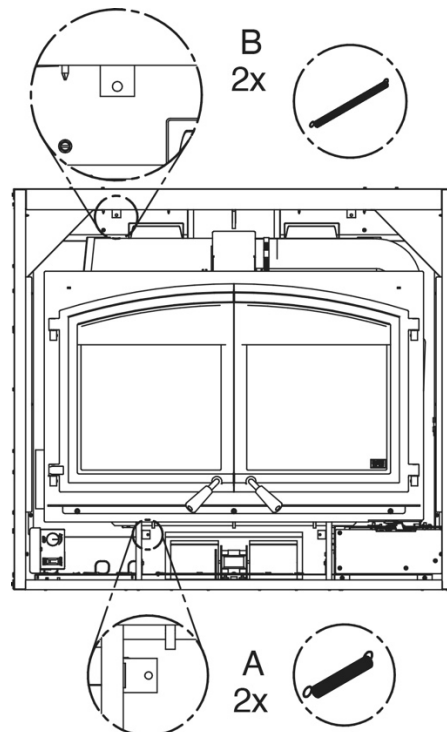
- Steel faceplate already assembled (1X)

DIMENSIONS

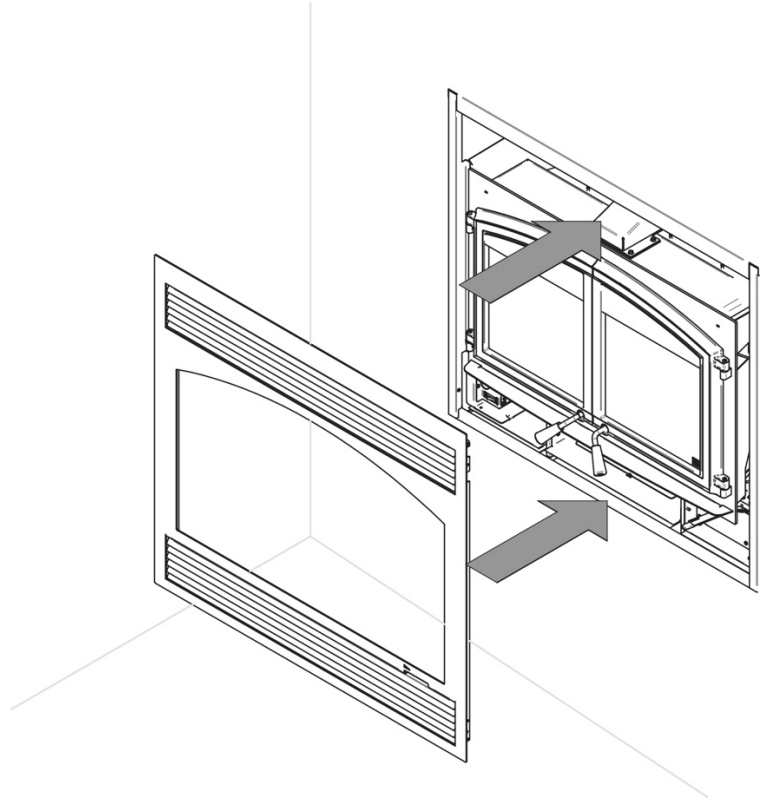


Installation Instructions

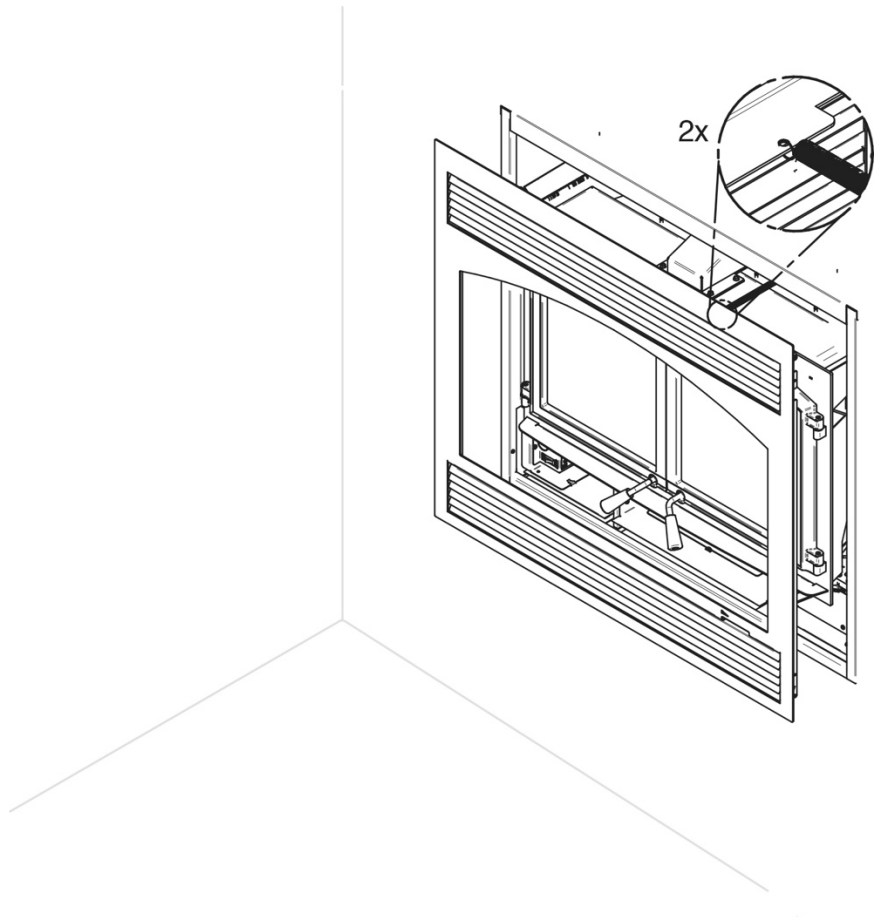
1. Locate the bottom springs **(A)**.
2. Fix the top springs **(B)** provided in the fireplace owner's manual.



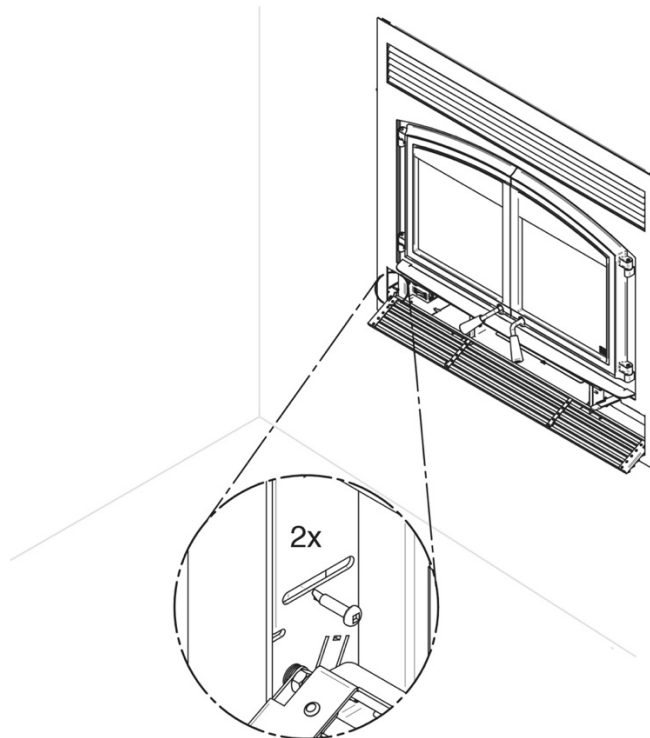
3. Bring the faceplate close to the fireplace.



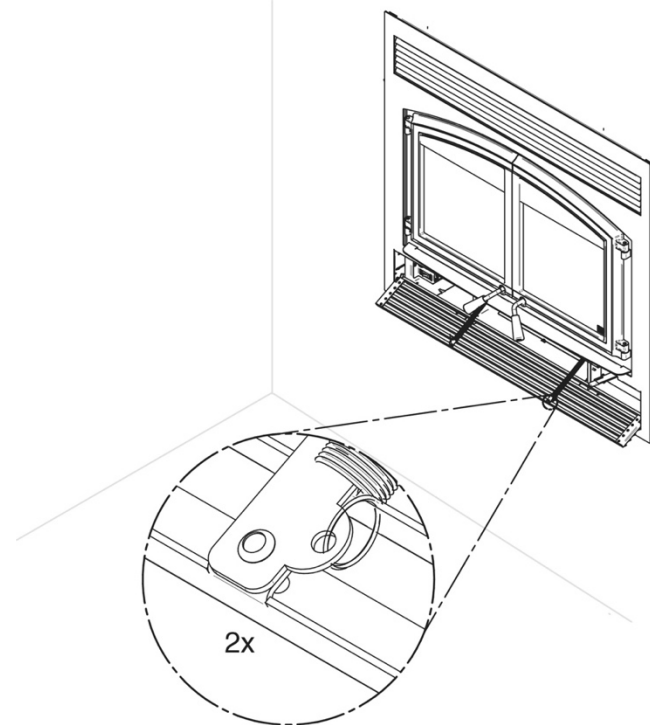
4. Attach the upper springs on the faceplate to hold it in place.



5. Firmly push the faceplate against the fireplace. Using a power driver, secure the bottom with 2 self-tapping screws (one on each side) provided with the fireplace owner's manual.



6. Attach the bottom springs to the lower louver.



This document is available for free download on the manufacturer's website. It is a copyrighted document. Resale is strictly prohibited. The manufacturer may update this document from time to time and cannot be responsible for problems, injuries, or damages arising out of the use of information contained in any document obtained from unauthorized sources.