

INSTALLATION INSTRUCTIONS WOOD STOVE PEDESTAL

FOR USE WITH WOOD STOVES WSSMED & WSSLG WOOD STOVE DISPLAY PEDESTALS

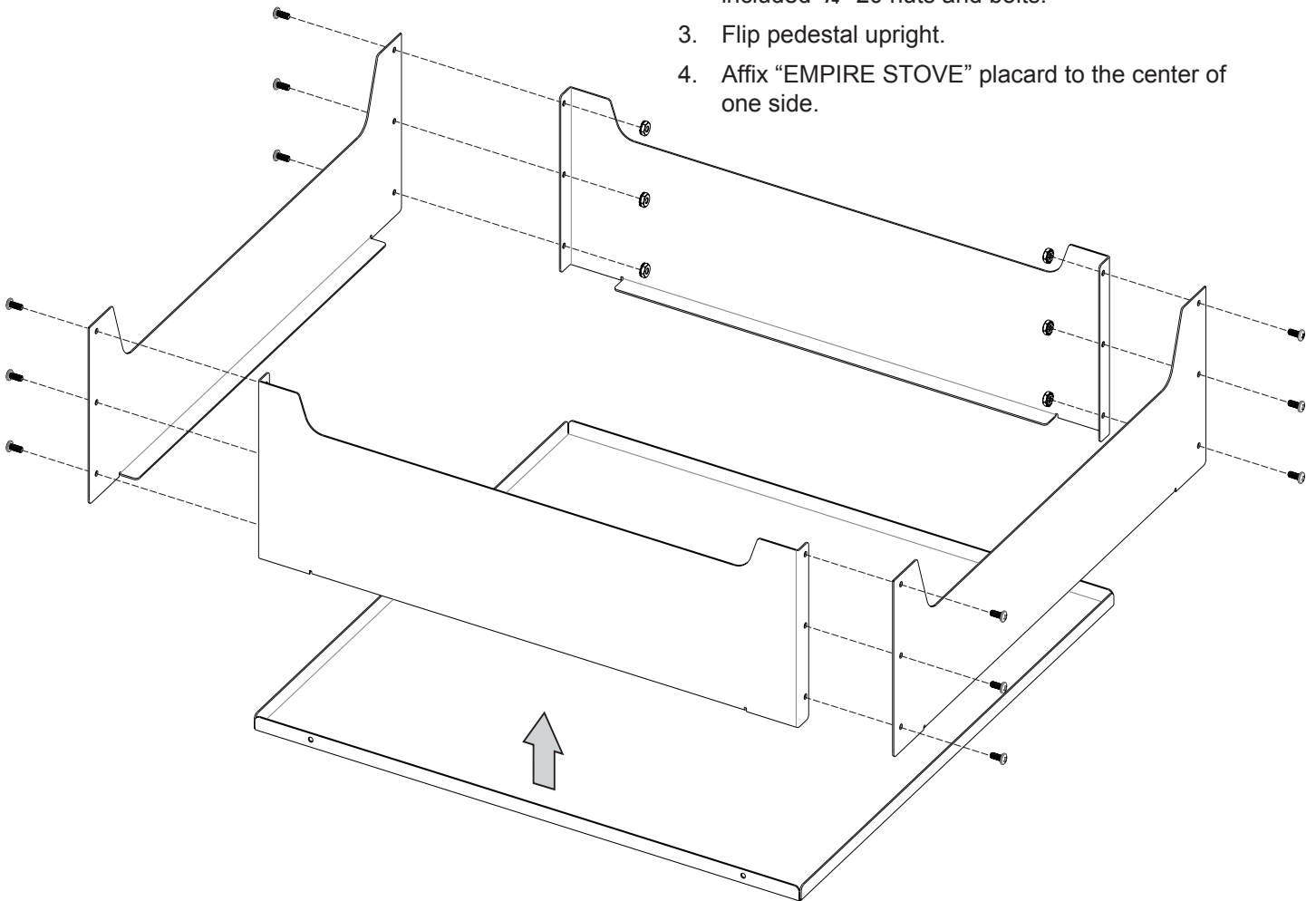
INSTRUCTIONS MUST BE LEFT WITH THE OWNER FOR FUTURE REFERENCE AFTER INSTALLATION.

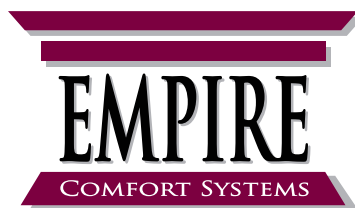
TOOLS NEEDED:

- Phillips Screw Driver
- $\frac{7}{16}$ " Wrench or Socket

WOOD STOVE DISPLAY PEDESTAL ASSEMBLY

1. Place the lid upside down on a soft surface.
2. Assemble walls inside lid as shown using the 12 included $\frac{1}{4}$ "-20 nuts and bolts.
3. Flip pedestal upright.
4. Affix "EMPIRE STOVE" placard to the center of one side.





**Empire Comfort Systems Inc.
Belleville, IL**

If you have a general question
about our products, please e-mail
us at info@empirecomfort.com.

If you have a service or repair
question, please contact your dealer.

SINCE 1932

www.empirecomfort.com