

IS-36-GI32, IS-42-GI32 Model: GI-32-ZC Installation Instructions -



Leave this manual with party responsible for use and operation.

CAUTION! Risk of Cuts, Abrasions or Flying Debris.
Wear protective gloves and safety glasses during installation. Sheet metal edges are sharp.

CAUTION! Do not install damaged components.

INTRODUCTION

The surround is an optional finishing method of the GI-32-ZC. The surround is designed to overlap the opening of the existing fireplace or constructed chase.

SURROUND KIT COMPONENTS

- (1) Top
- (1) Left Side
- (1) Right Side
- (1) Bottom
- (12) ST4X8 Screws

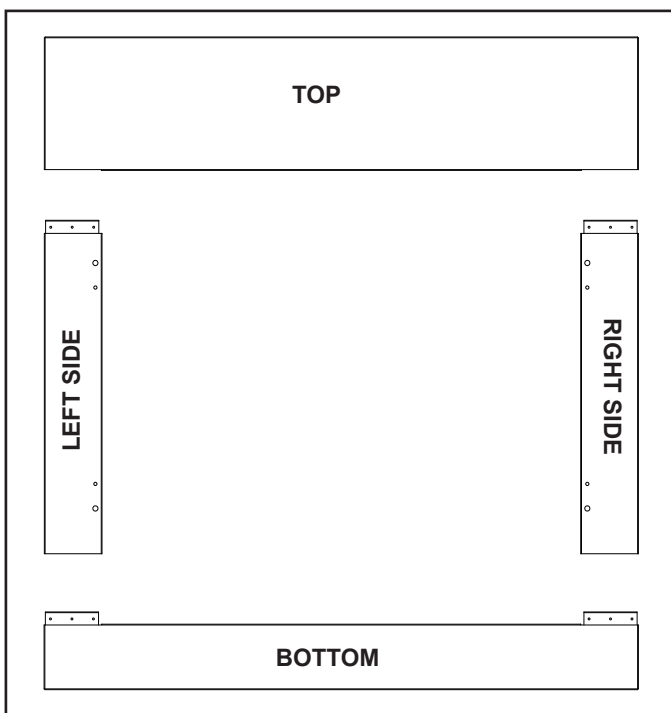


Figure 1 Surround Components

TOOLS NEEDED

- Magnetic Phillips Screwdriver

Surround Assembly

1. Remove the kit components from the packaging.
2. Attached Right and Left Sides to the Top using 8 screws. See Figure 2.
3. If 4-Sided surround is desired, leave the bottom side unattached, and proceed to Surround Installation.

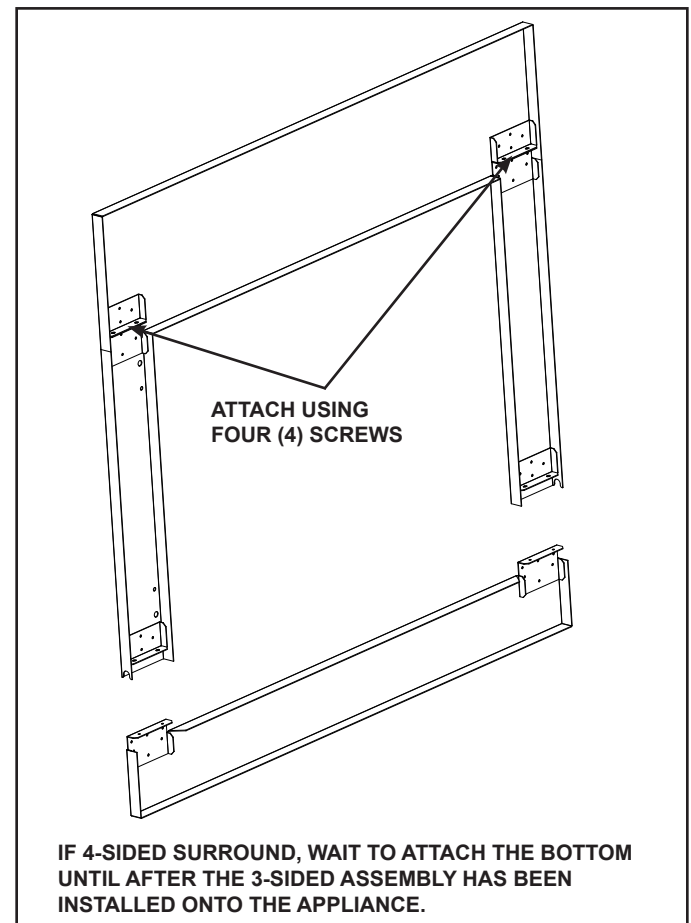


Figure 2 Surround Assembly

Surround Installation

1. Slide the assembled 3-sided surround over the top of the appliance behind the appliance side flanges. See Figure 3.
2. Secure the surround to the appliance side flanges in four (4) locations with the sheetmetal screws provided with the surround. The screws will be installed from the rear of the appliance. Note, leave the 4 larger holes empty as they may be used for attaching the appliance to framing. See Figure 3.

3. (Optional) If the optional bottom is to be used, align the bottom surround piece, with the bottom of the installed 3-sided surround. Attach the bottom with four (4) screws provided with the surround. See Figure 4.
4. Secure the surround to the appliance side flanges in four (4) locations with the screws provided with the surround. The screws will be installed from the rear of the appliance. See Figure 3.

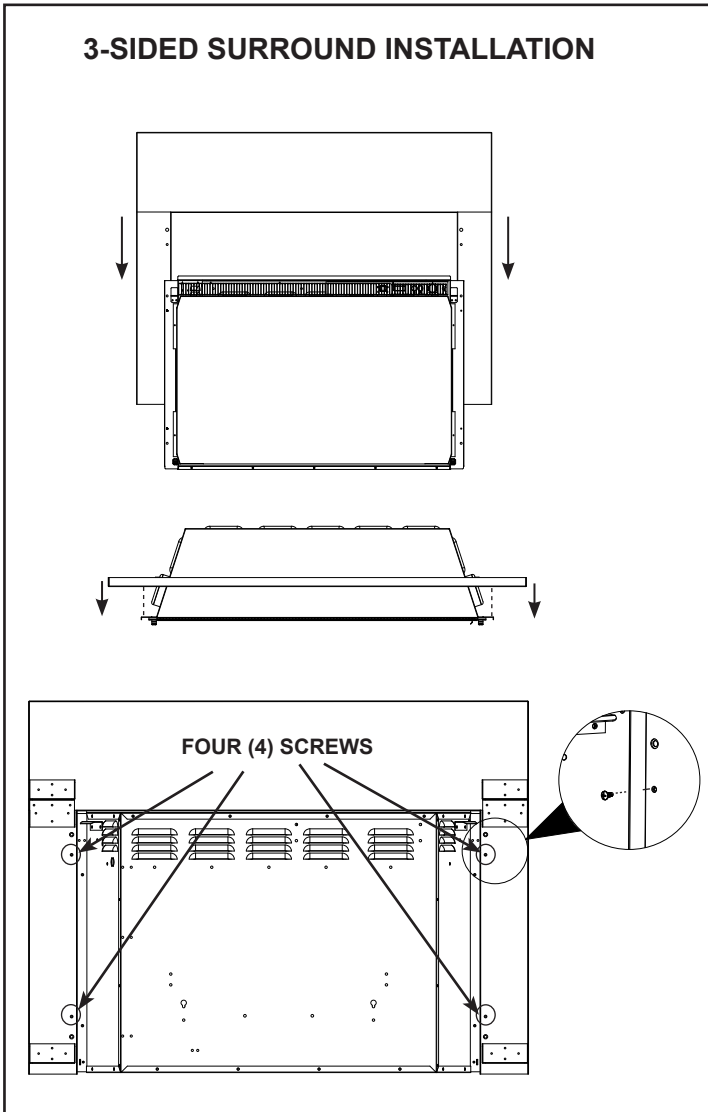


Figure 3 3-Sided Surround Installation

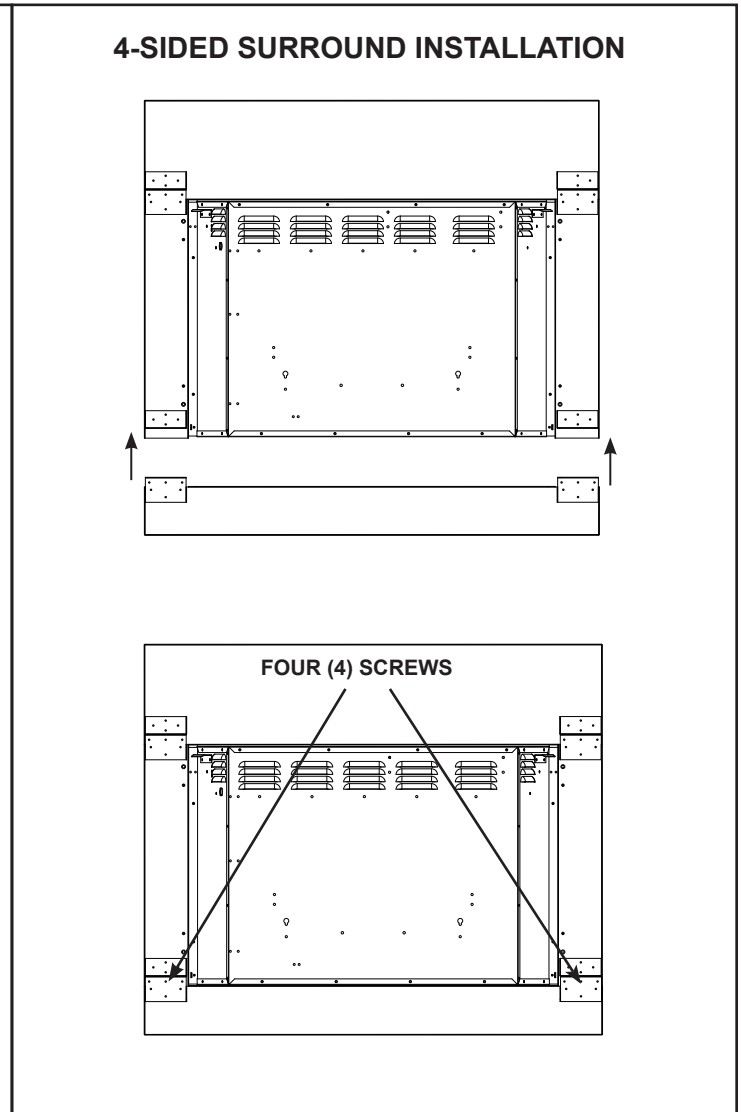
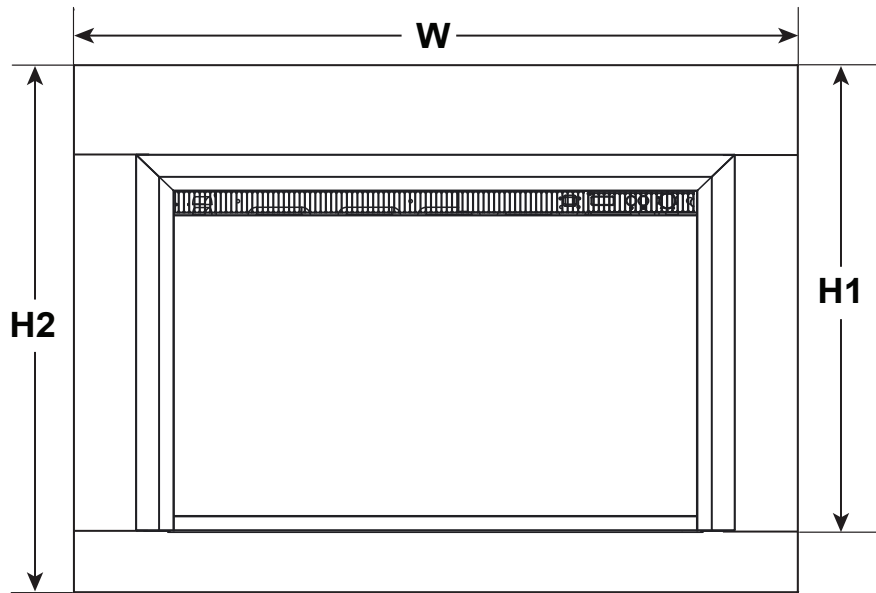


Figure 4 4-Sided Surround Installation



MODEL	SURROUND SIZE	SURROUND SKU		WIDTH	3-SIDED H1	4-SIDED H2	SURROUND DEPTH
				W			
GI-32-ZC	SMALL	IS-36-GI32	In.	36-1/2	27-1/4	31-1/4	13/16
			mm	927	692	794	20
	LARGE	IS-42-GI32	In.	42-1/2	28-3/4	32-3/4	13/16
			mm	1080	730	832	20

Figure 5 Surround Dimensions

SimpliFire, a brand of Hearth & Home Technologies
 7571 215th Street West, Lakeville, MN 55044
www.hearthnhome.com

Please contact your SimpliFire dealer
 For the location of your nearest SimpliFire dealer,
 please visit www.hearthnhome.com.