




HEARTH & HOME
technologies®
The Hearth Experts™

DV3732 / DV4236

DIRECT VENT GAS FIREPLACES

DV3732 / DV4236 DIRECT VENT GAS FIREPLACES

Features

- 16-1/4" deep profile – perfect for smaller space requirements
- Ships with standard full firescreen front, eliminating glass glare and providing a measure of protection from accidental contact
- Standard IntelliFire™ Ignition System will continue to operate in case of a power failure
- Flex line and gas shut off for fast plumbing rough-in
- Installed junction box for optional blower or remote control
- 3-piece, 3" black metal trim kit provides cost-effective finishing option (DV3732: 550-Trim3-BK, 550-Trim4-BK; DV4236: 750-Trim3-BK, 750-Trim4-BK)

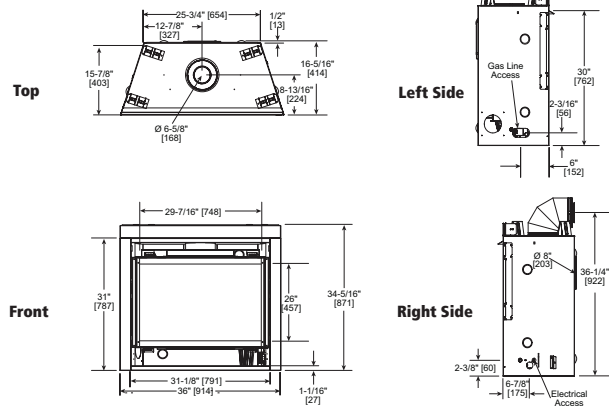


DV3732 with optional trim kit

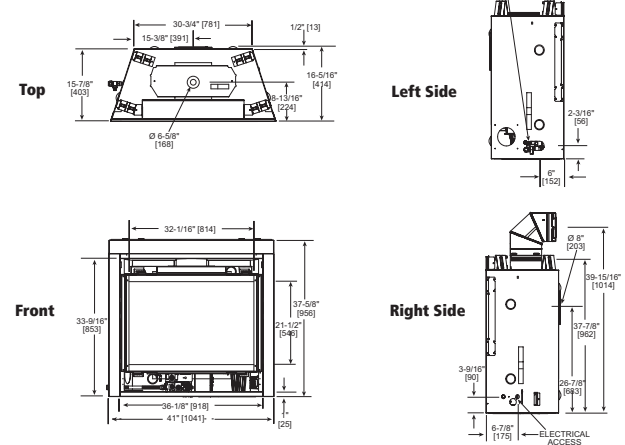
Specifications

MODEL	FRONT WIDTH		BACK WIDTH		HEIGHT		DEPTH		GLASS SIZE	BTU/HR INPUT
	Unit	Framing	Unit	Framing	Unit	Framing	Unit	Framing		
DV3732	36" [914mm]	37" [940mm]	25-3/4" [654mm]	37" [940mm]	34-5/16" [872mm]	34-3/4" [883mm]	16-5/16" [414mm]	16-1/4" [413mm]	27-3/16" x 18-1/16" [691mm x 459mm]	(NG) 13,500 - 19,100 (LP) 14,500 - 19,300
DV4236	41" [1041mm]	42" [1067mm]	30-3/4" [781mm]	42" [1067mm]	37-7/8" [962mm]	38-1/4" [972mm]	16-5/16" [414mm]	16-1/4" [413mm]	32-1/16" x 21-1/2" [814mm x 546mm]	(NG) 15,000 - 22,000 (LP) 15,800 - 21,000

DV3732



DV4236



Dimensions are in inches and millimeters. Product information provided is not complete and is subject to change without notice. Product installation must adhere strictly to instructions accompanying product. We recommend measuring individual units at installation. Assumes the use of 1/2" Sheetrock. NOTE: Combustible material should not be installed over the face. Make sure you do NOT cover the decorative door opening. Refer to installation manual for detailed specifications on installing this product. Hearth & Home Technologies reserves the right to update units periodically. The flame and ember appearance may vary based on the type of fuel burned and the venting configuration used. Actual product appearance, including flame, may differ from product images.

Efficiency Ratings

RATING	DV3732 NG	DV3732 LP	DV4236 NG	DV4236 LP
Steady State	70.6%	70.6%	81.3%	81.3%
AFUE	50.4%	56.9%	56.5%	54.5%
EnerGuide (CSA P.4.1-02)	52.4%	56.4%	59.1%	58.0%

Steady State - Since most homeowners use their fireplaces for an extended time while they are in the room, Steady State measures how efficiently your fireplace converts fuel to heat once it is warmed up and running in a "steady state."

AFUE - AFUE rating is more typically used with appliances, like your furnace, that continually cycle on and off to maintain a constant temperature.

EnerGuide (CSA P.4.1-02) - Used in Canada and some U.S. states to measure annual fireplace efficiency.

Cover: DV4236 with Kenwood mantel and absolute black granite