

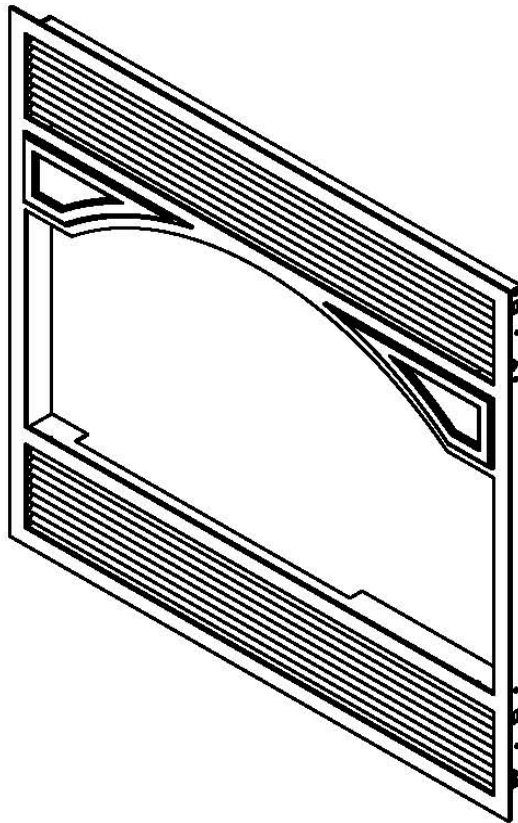


ME300

Steel Faceplate

VBA1520

RUSTIC STYLE FACEPLATE



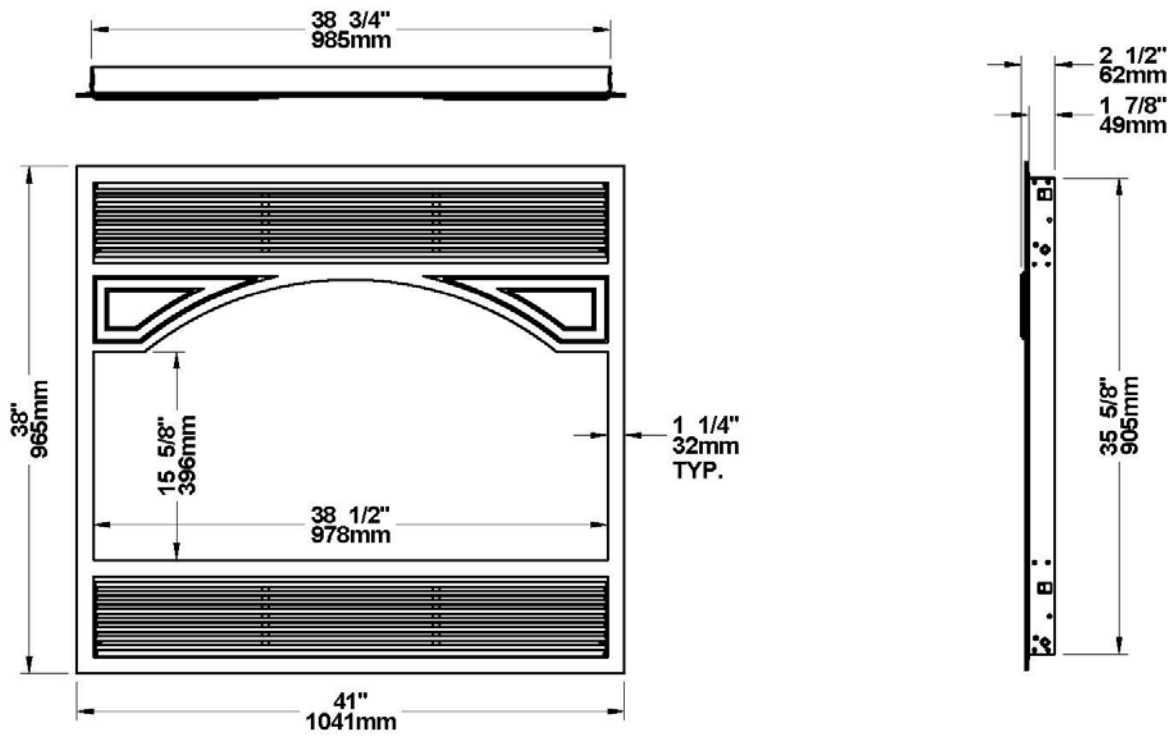
This faceplate assembly contains the following part:

- Steel faceplate already assembled (1X)

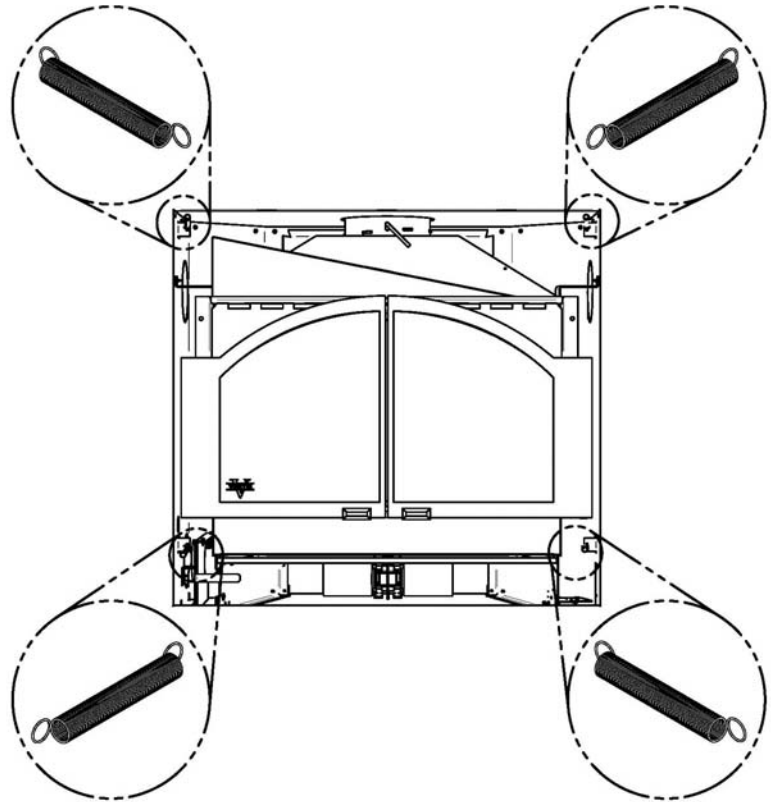
Warning

The plating of the faceplate should never come in contact with masonry product such as mortar, acid or any other products containing abrasives. Damages and discolouration caused by these products will void the warranty.

RUSTIC STYLE FACEPLATE

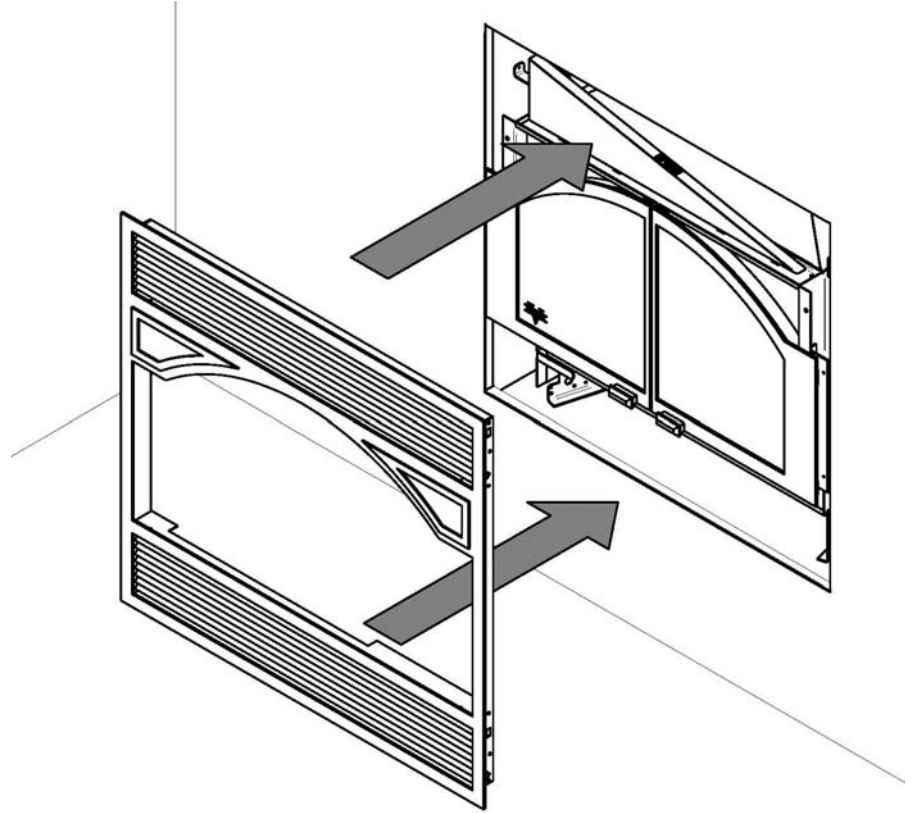


Locate the top and bottom springs.

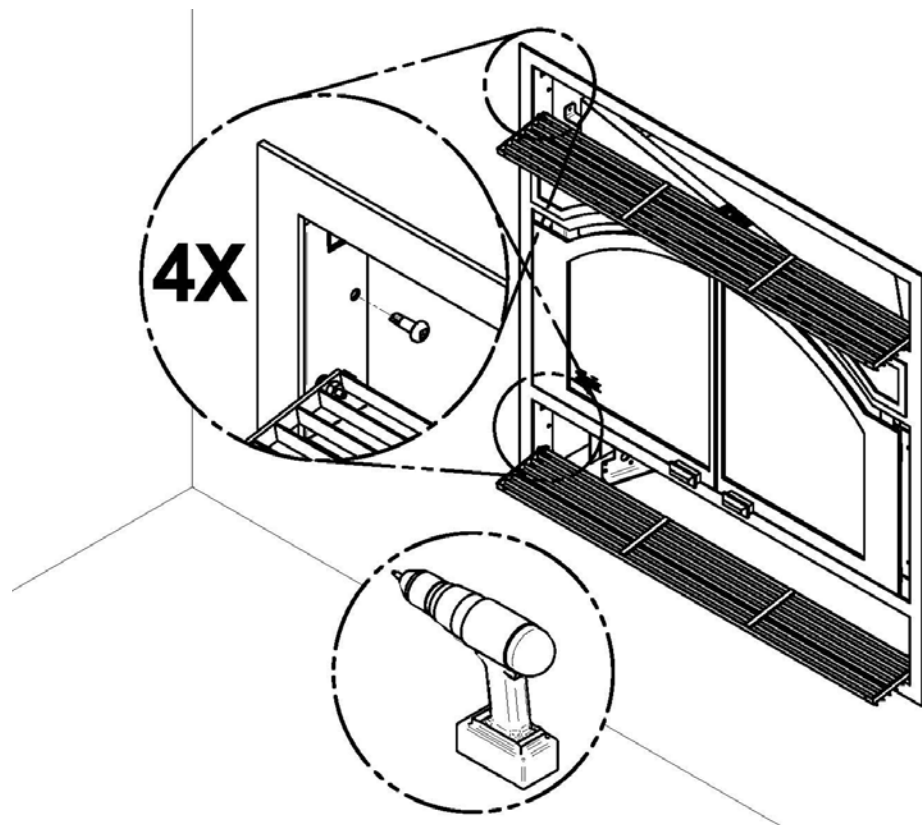


Installing procedure for the steel faceplate (VBA1520):

1. Bring the faceplate close to the fireplace.



2. Firmly push the faceplate to the fireplace/wall finish. Using a power driver, secure the top and the bottom with 4 self-tapping screws (two on each side) provided with the fireplace owner's manual.



3. Attach the springs at the top and the bottom of the faceplate into the rings of the upper and lower louver provided for this purpose.

