

Gates, Cubicles, Yokes, Feed Barriers, Sheep Equipment, Handling Systems, Concrete Products, Water Products, Posts, Fixings, Bespoke Fittings, Roofing, Ventilation & Much More!

PLEASE NOTE NO ASSUMPTION SHOULD BE MADE IN RESPECT TO ANY CONSTRUCTIONAL DETAILS FROM THIS DRAWING. ALL SIZES ARE APPROXIMATE AND MAY CHANGE IN MANUFACTURING. IF IN DOUBT ASK. UNLESS OTHERWISE STATED ALL SIZES ARE IN MM

TITLE:
PFB313 Diagonal Feed Barrier with Adjustable Rail

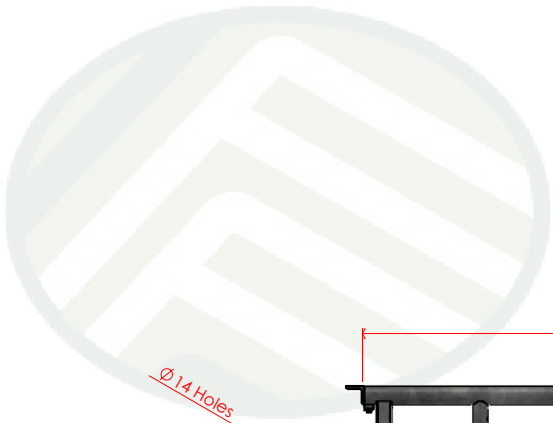
PRODUCT CODE:
PFB313

SHEET 1 OF 3

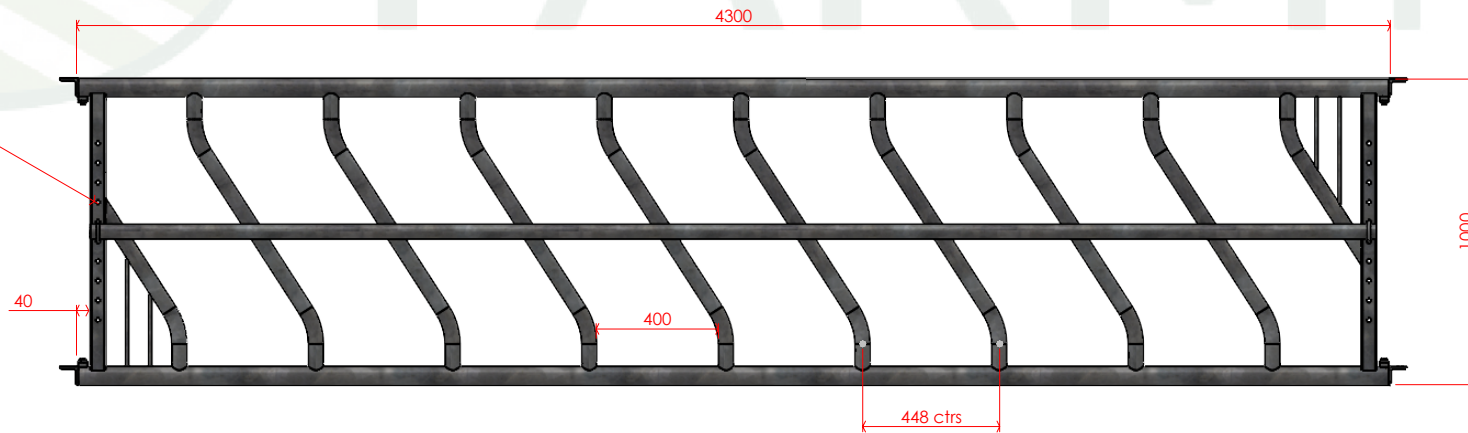
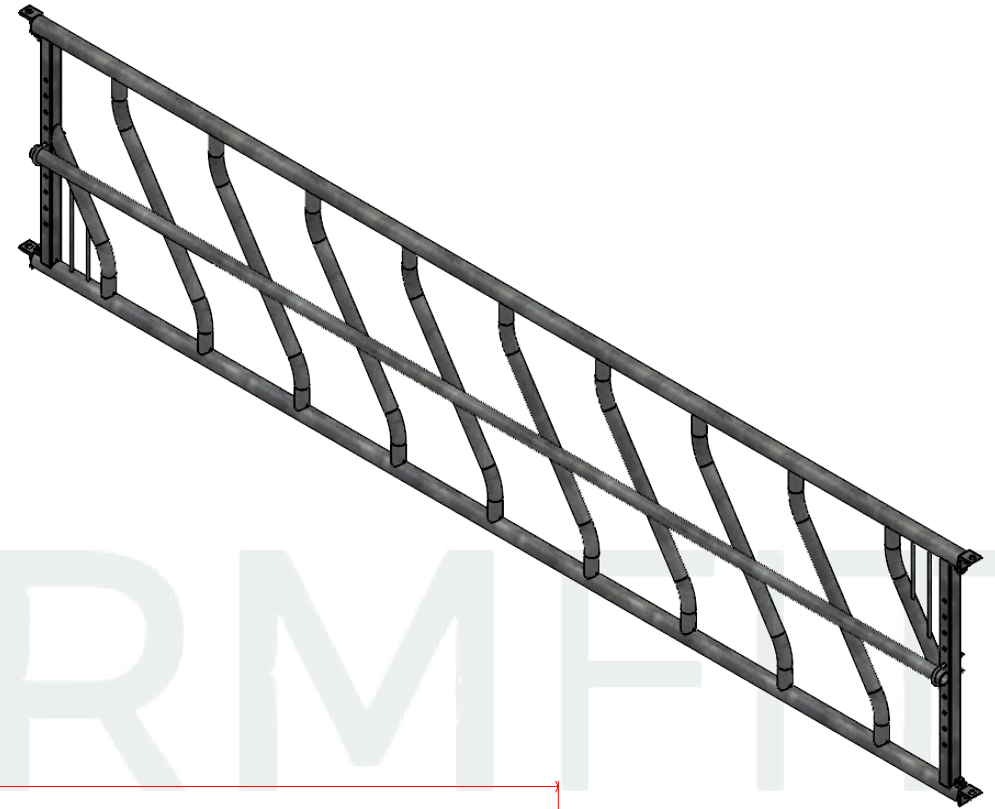


Unit 1, Kellwood Business Park, Dumfries, DG1 4HF
T: 01576 204 963
E: sales@farmfituk.com

FARMFIT



FARMFIT



Gates, Cubicles, Yokes, Feed Barriers, Sheep Equipment, Handling Systems, Concrete Products, Water Products, Posts, Fixings, Bespoke Fittings, Roofing, Ventilation & Much More!

PLEASE NOTE NO ASSUMPTION SHOULD BE MADE IN RESPECT TO ANY CONSTRUCTIONAL DETAILS FROM THIS DRAWING. ALL SIZES ARE APPROXIMATE AND MAY CHANGE IN MANUFACTURING. IF IN DOUBT ASK. UNLESS OTHERWISE STATED ALL SIZES ARE IN MM

TITLE:
Pedigree Diagonal Feed Barrier with adjustable rail to suit 15ft (4572mm)
REV A

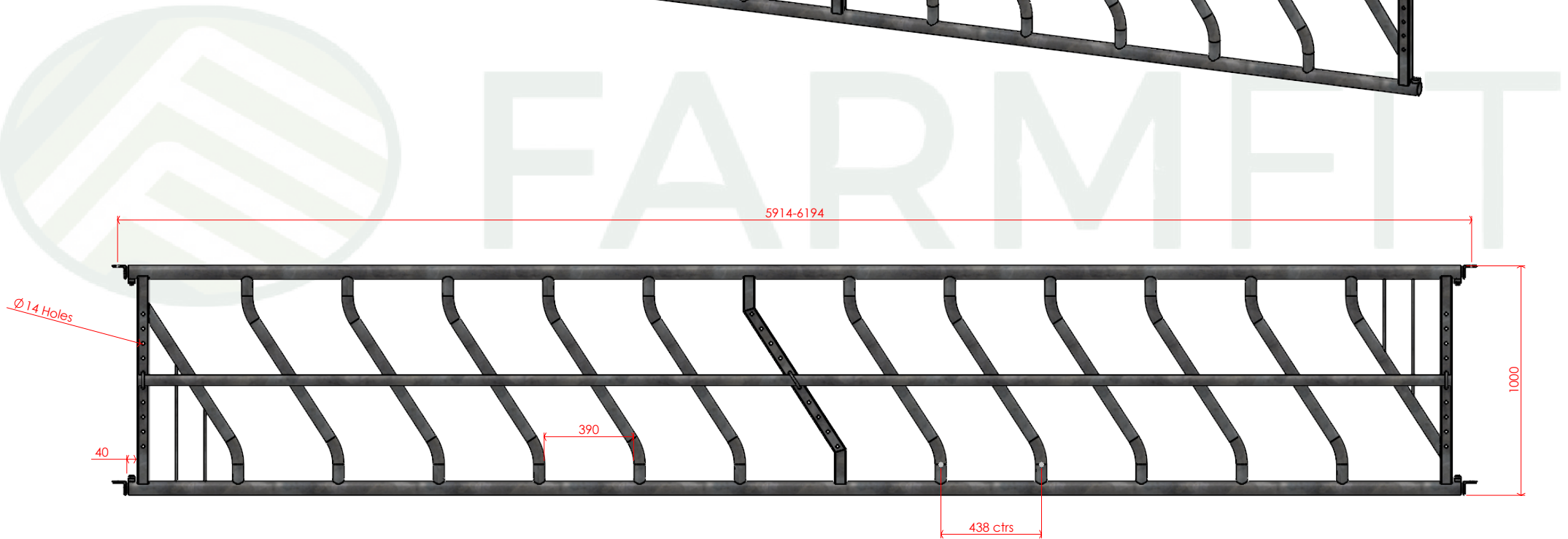
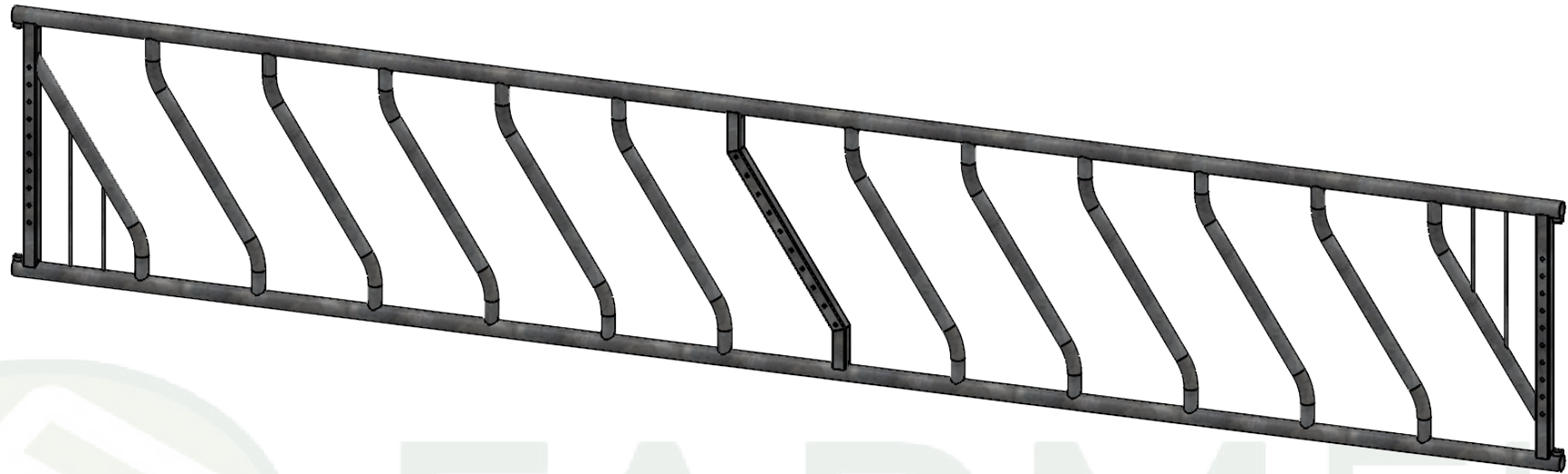
PRODUCT CODE:
PFB314

SHEET 2 OF 3



Unit 1, Kellwood Business Park, Dumfries, DG1 4HF
T: 01576 204 963
E: sales@farmfituk.com

FARMFIT



Gates, Cubicles, Yokes, Feed Barriers, Sheep Equipment, Handling Systems, Concrete Products, Water Products, Posts, Fixings, Bespoke Fittings, Roofing, Ventilation & Much More!

PLEASE NOTE NO ASSUMPTION SHOULD BE MADE IN RESPECT TO ANY CONSTRUCTIONAL DETAILS FROM THIS DRAWING. ALL SIZES ARE APPROXIMATE AND MAY CHANGE IN MANUFACTURING. IF IN DOUBT ASK. UNLESS OTHERWISE STATED ALL SIZES ARE IN MM

TITLE:	
PRODUCT CODE:	PFB315
SHEET 3 OF 3	



Unit 1, Kellwood Business Park, Dumfries, DG1 4HF
T: 01576 204 963
E: sales@farmfituk.com

FARMFIT