

Gates, Cubicles, Yokes, Feed Barriers, Sheep Equipment, Handling Systems, Concrete Products, Water Products, Posts, Fixings, Bespoke Fittings, Roofing, Ventilation & Much More!

PLEASE NOTE NO ASSUMPTION SHOULD BE MADE IN RESPECT TO ANY CONSTRUCTIONAL DETAILS FROM THIS DRAWING. ALL SIZES ARE APPROXIMATE AND MAY CHANGE IN MANUFACTURING. IF IN DOUBT ASK. UNLESS OTHERWISE STATED ALL SIZES ARE IN MM

TITLE:  
PFB310 Pedigree Diagonal Feed Barrier to suit 10' (3048mm)

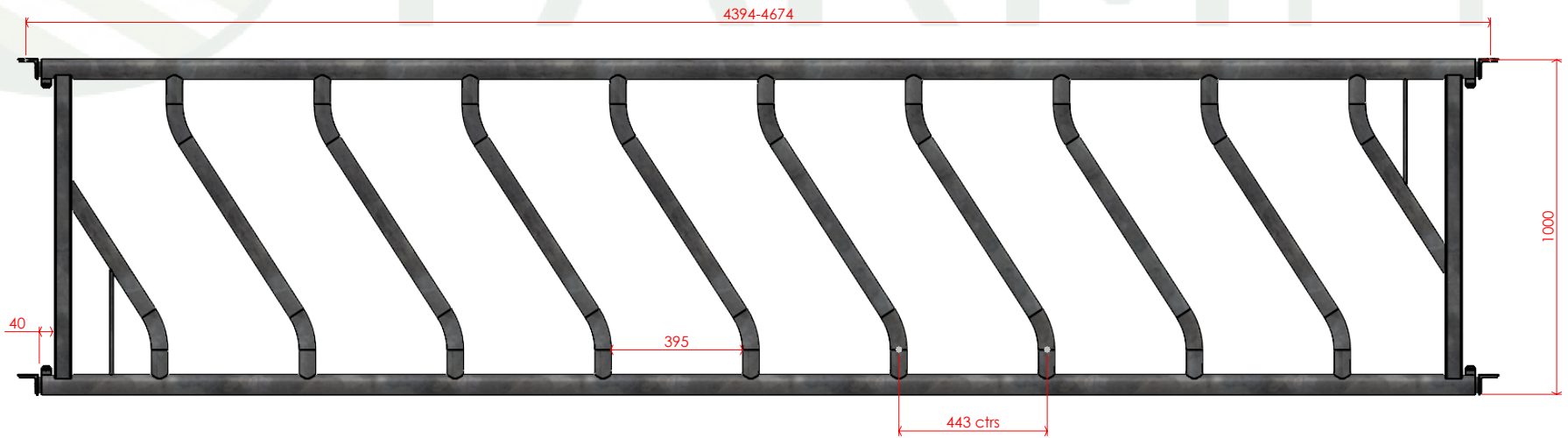
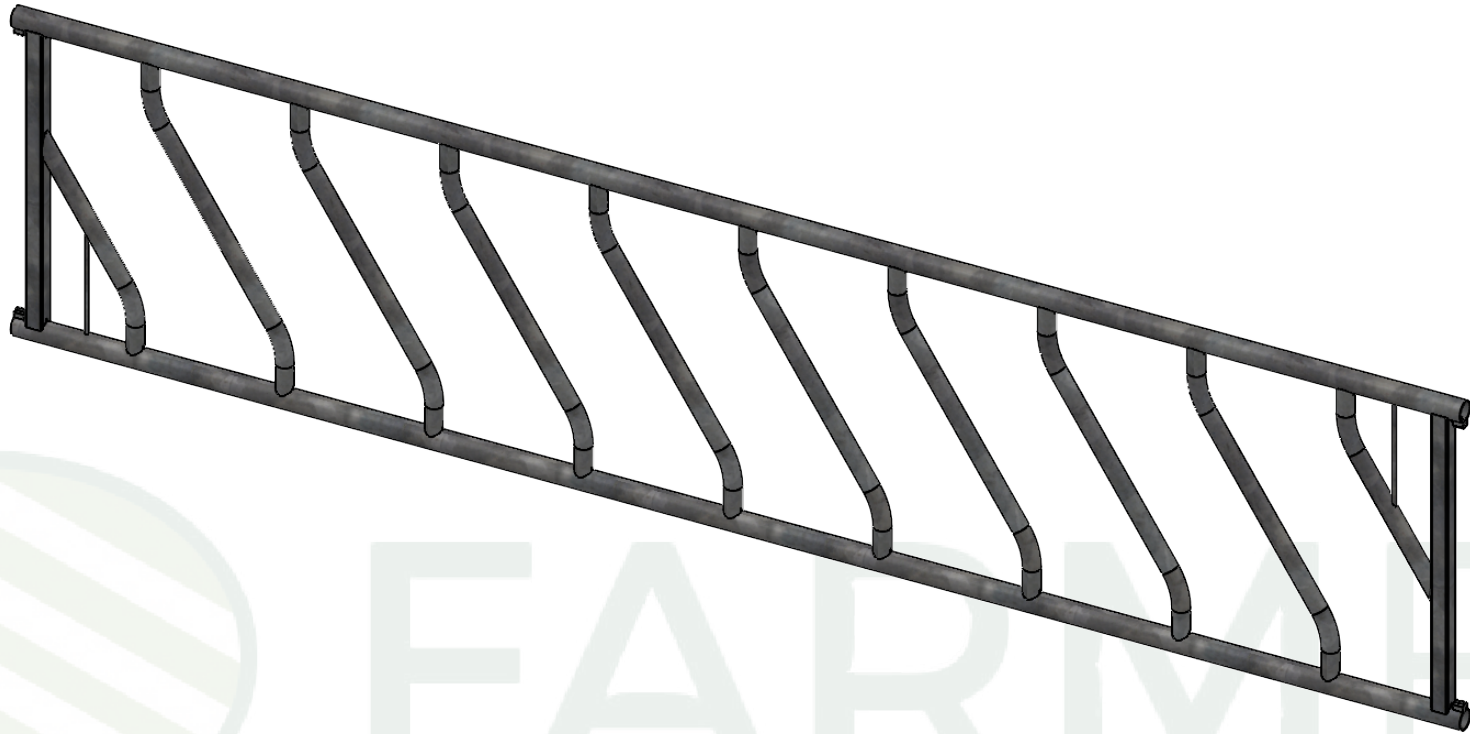
PRODUCT CODE:  
PFB310

SHEET 1 OF 3



FARMFIT

Unit 1, Kellwood Business Park, Dumfries, DG1 4HF  
T: 01576 204 963  
E: sales@farmfituk.com



Gates, Cubicles, Yokes, Feed Barriers, Sheep Equipment, Handling Systems, Concrete Products, Water Products, Posts, Fixings, Bespoke Fittings, Roofing, Ventilation & Much More!

PLEASE NOTE NO ASSUMPTION SHOULD BE MADE IN RESPECT TO ANY CONSTRUCTIONAL DETAILS FROM THIS DRAWING. ALL SIZES ARE APPROXIMATE AND MAY CHANGE IN MANUFACTURING. IF IN DOUBT ASK. UNLESS OTHERWISE STATED ALL SIZES ARE IN MM

TITLE:  
**Pedigree Diagonal Feed Barrier to suit 15ft (4572mm)**

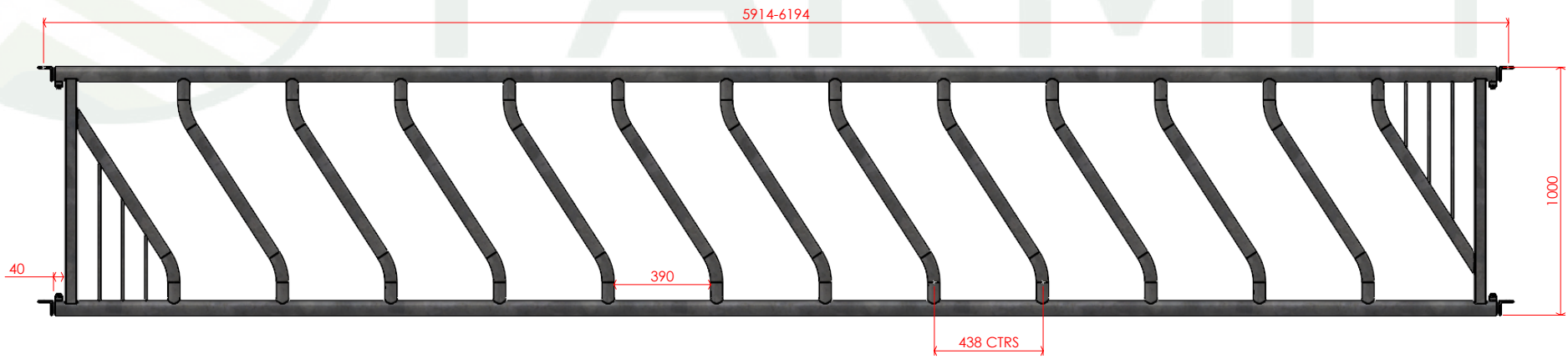
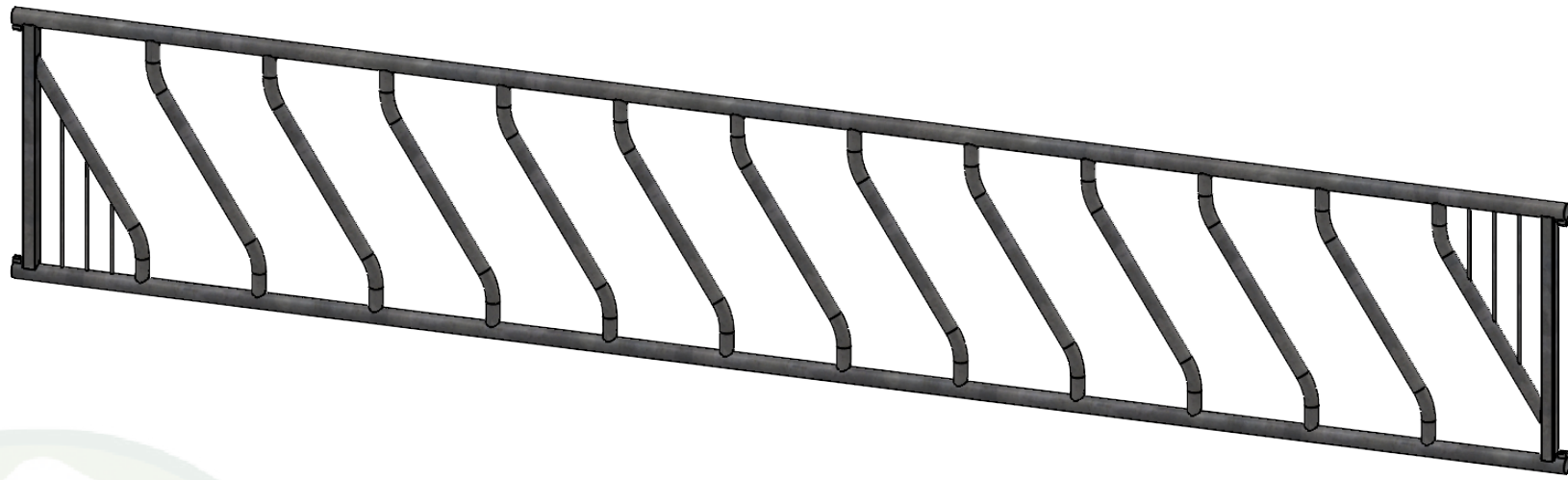
PRODUCT CODE:  
**PFB311**

SHEET 2 OF 3



Unit 1, Kellwood Business Park, Dumfries, DG1 4HF  
T: 01576 204 963  
E: sales@farmfituk.com

**FARMFIT**



Gates, Cubicles, Yokes, Feed Barriers, Sheep Equipment, Handling Systems, Concrete Products, Water Products, Posts, Fixings, Bespoke Fittings, Roofing, Ventilation & Much More!

PLEASE NOTE NO ASSUMPTION SHOULD BE MADE IN RESPECT TO ANY CONSTRUCTIONAL DETAILS FROM THIS DRAWING. ALL SIZES ARE APPROXIMATE AND MAY CHANGE IN MANUFACTURING. IF IN DOUBT ASK. UNLESS OTHERWISE STATED ALL SIZES ARE IN MM

TITLE: Pedigree Diagonal Feed Barrier to suit 20ft (6096mm)

PRODUCT CODE: PFB312

SHEET 3 OF 3



Unit 1, Kellwood Business Park, Dumfries, DG1 4HF  
 T: 01576 204 963  
 E: sales@farmfituk.com