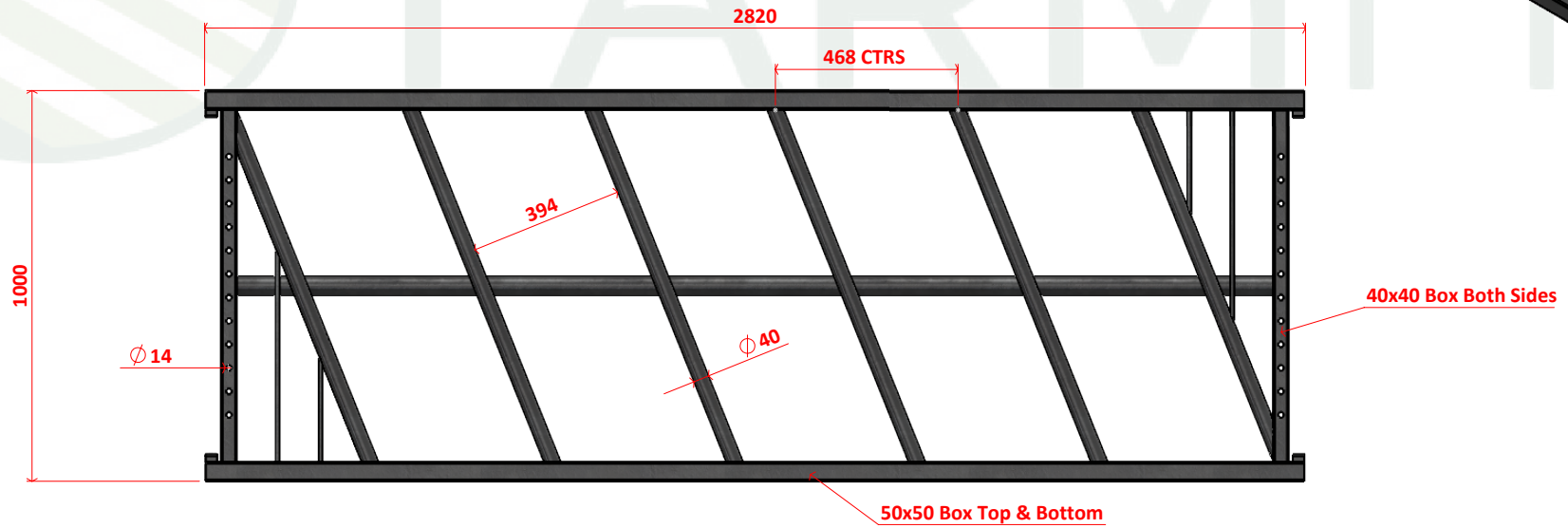
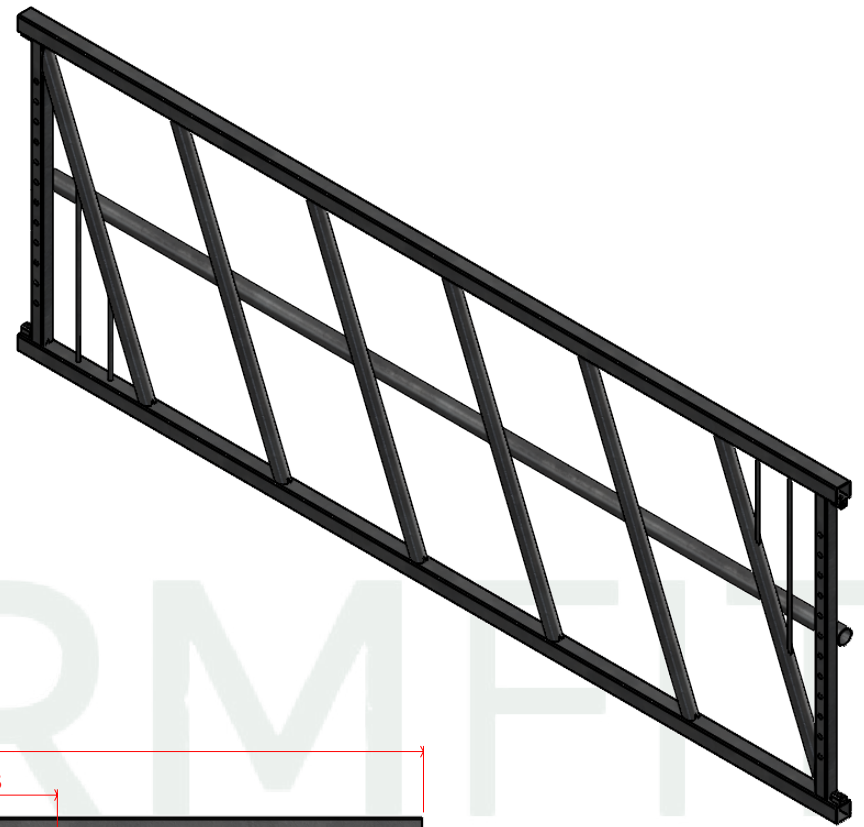


FARMFIT



Gates, Cubicles, Yokes, Feed Barriers, Sheep Equipment, Handling Systems, Concrete Products, Water Products, Posts, Fixings, Bespoke Fittings, Roofing, Ventilation & Much More!

PLEASE NOTE NO ASSUMPTION SHOULD BE MADE IN RESPECT TO ANY CONSTRUCTIONAL DETAILS FROM THIS DRAWING. ALL SIZES ARE APPROXIMATE AND MAY CHANGE IN MANUFACTURING. IF IN DOUBT ASK. UNLESS OTHERWISE STATED ALL SIZES ARE IN MM

TITLE:  
Market Diagonal Feed Barrier c/w adjustable rail to suit 10' (3048mm)

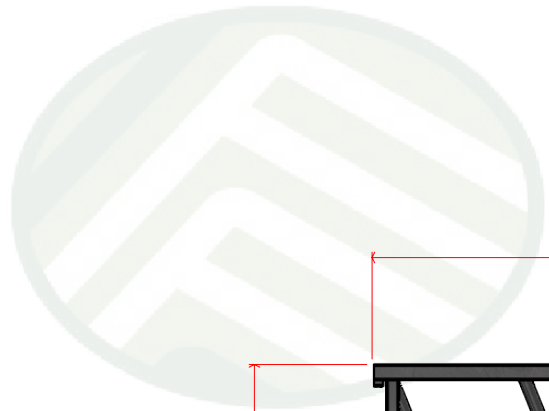
PRODUCT CODE:  
MFB316

SHEET 1 OF 3

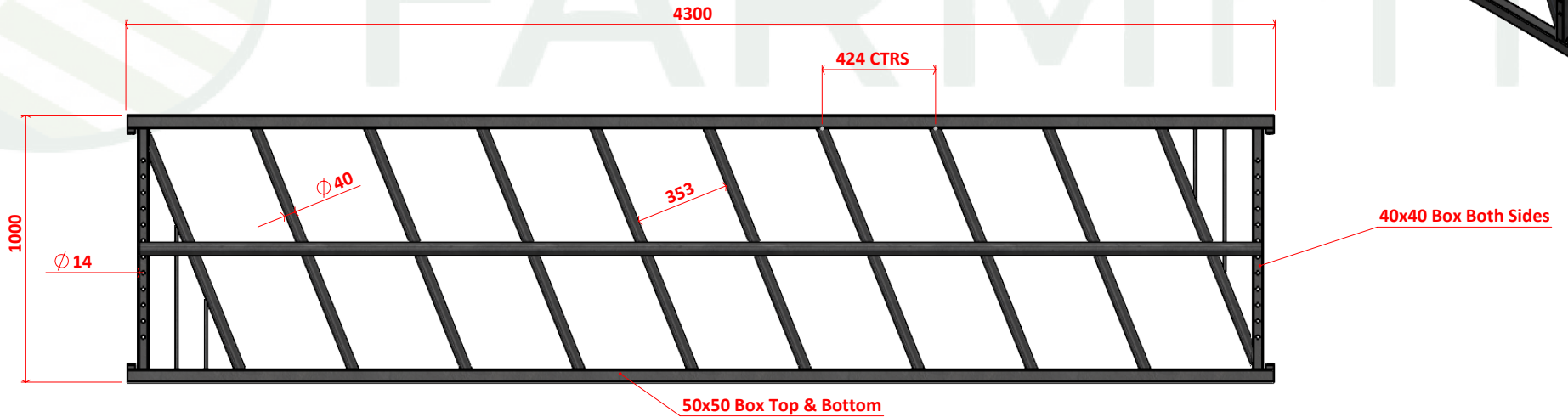
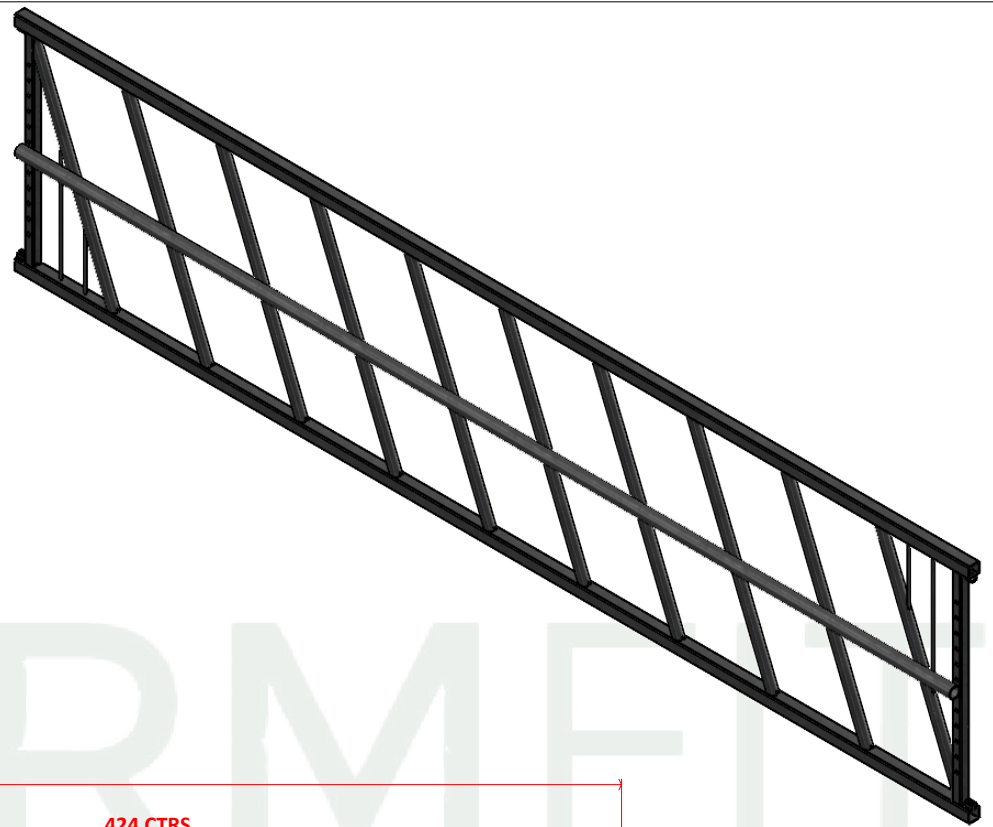


Unit 1, Kellwood Business Park, Dumfries, DG1 4HF  
T: 01576 204 963  
E: sales@farmfituk.com

**FARMFIT**



FARMFIT



Gates, Cubicles, Yokes, Feed Barriers, Sheep Equipment, Handling Systems, Concrete Products, Water Products, Posts, Fixings, Bespoke Fittings, Roofing, Ventilation & Much More!

PLEASE NOTE NO ASSUMPTION SHOULD BE MADE IN RESPECT TO ANY CONSTRUCTIONAL DETAILS FROM THIS DRAWING. ALL SIZES ARE APPROXIMATE AND MAY CHANGE IN MANUFACTURING. IF IN DOUBT, ASK. UNLESS OTHERWISE STATED ALL SIZES ARE IN MM

TITLE:  
Market Diagonal Feed Barrier c/w adjustable rail to suit 15' (4572mm)

PRODUCT CODE:  
MFB317

SHEET 2 OF 3

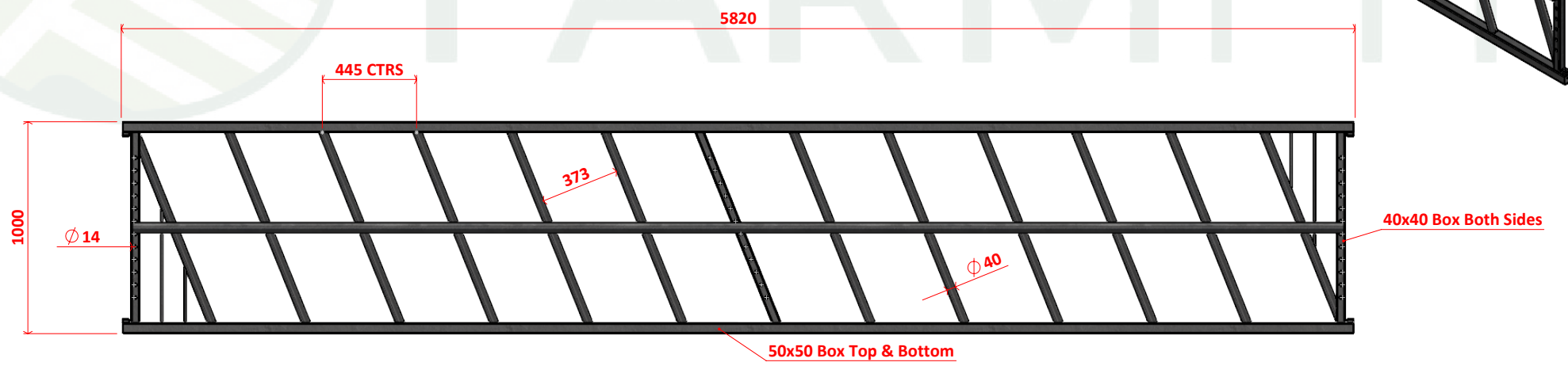
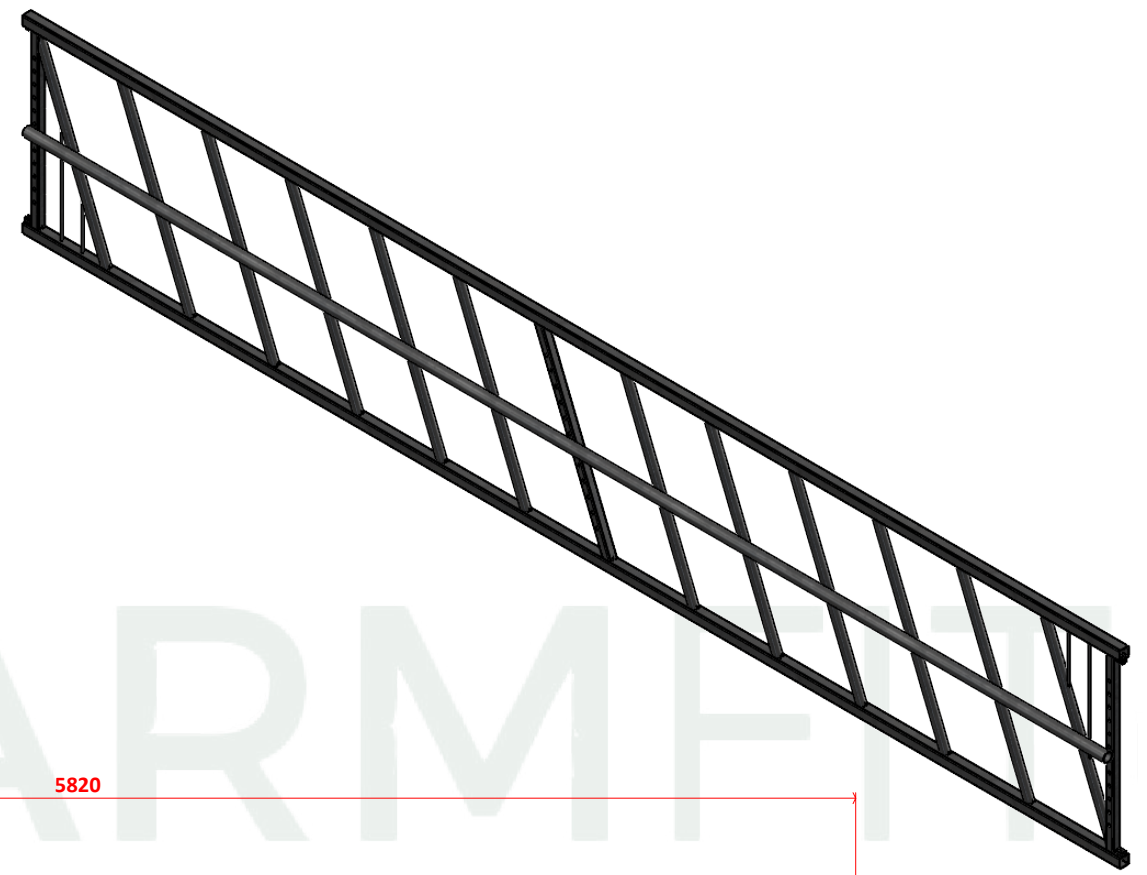


Unit 1, Kellwood Business Park, Dumfries, DG1 4HF  
T: 01576 204 963  
E: sales@farmfituk.com

FARMFIT



FARMFIT



Gates, Cubicles, Yokes, Feed Barriers, Sheep Equipment, Handling Systems, Concrete Products, Water Products, Posts, Fixings, Bespoke Fittings, Roofing, Ventilation & Much More!

PLEASE NOTE NO ASSUMPTION SHOULD BE MADE IN RESPECT TO ANY CONSTRUCTIONAL DETAILS FROM THIS DRAWING. ALL SIZES ARE APPROXIMATE AND MAY CHANGE IN MANUFACTURING. IF IN DOUBT, ASK. UNLESS OTHERWISE STATED ALL SIZES ARE IN MM

TITLE:  
Market Diagonal Feed Barrier c/w adjustable rail to suit 20' (6096mm)

PRODUCT CODE:  
MFB318

SHEET 3 OF 3



Unit 1, Kellwood Business Park, Dumfries, DG1 4HF  
T: 01576 204 963  
E: sales@farmfituk.com

**FARMFIT**