

Gates, Cubicles, Yokes, Feed Barriers, Sheep Equipment, Handling Systems, Concrete Products, Water Products, Posts, Fixings, Bespoke Fittings, Roofing, Ventilation & Much More!

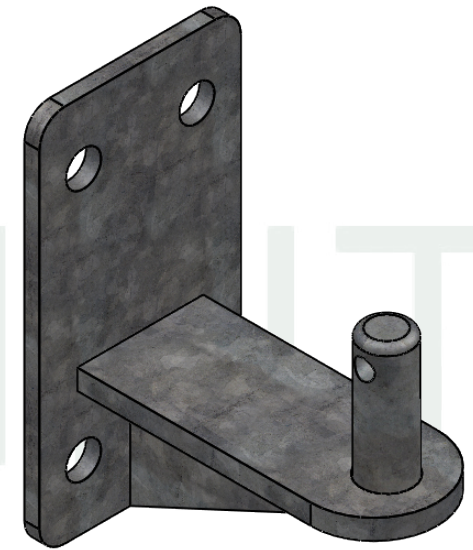
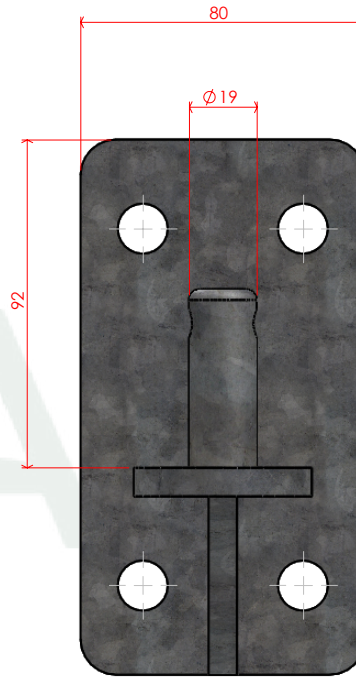
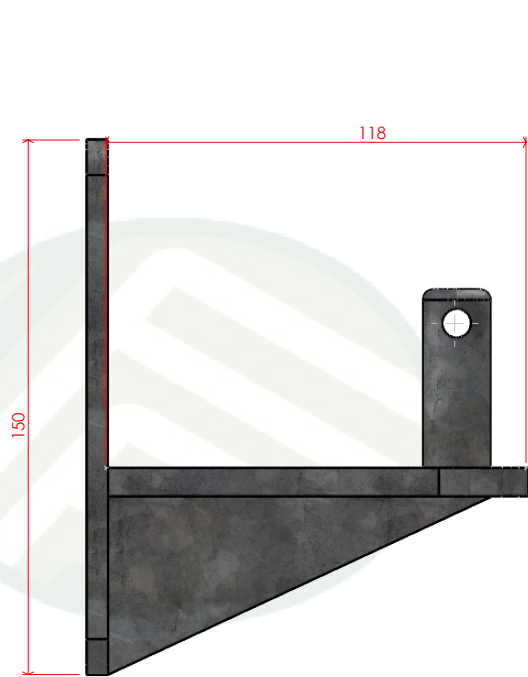
PLEASE NOTE NO ASSUMPTION SHOULD BE MADE IN RESPECT TO ANY CONSTRUCTIONAL DETAILS FROM THIS DRAWING. ALL SIZES ARE APPROXIMATE AND MAY CHANGE IN MANUFACTURING. IF IN DOUBT ASK. UNLESS OTHERWISE STATED ALL SIZES ARE IN MM

TITLE:
SINGLE HINGE TO SUIT 178x102 &
200x100 'H' BEAM (SINGLE)

PRODUCT CODE:
AM329A



Unit 1, Kellwood Business
Park, Dumfries, DG1 4HF
T: 01576 204 963
E: sales@farmfituk.com



Gates, Cubicles, Yokes, Feed Barriers, Sheep Equipment, Handling Systems, Concrete Products, Water Products, Posts, Fixings, Bespoke Fittings, Roofing, Ventilation & Much More!

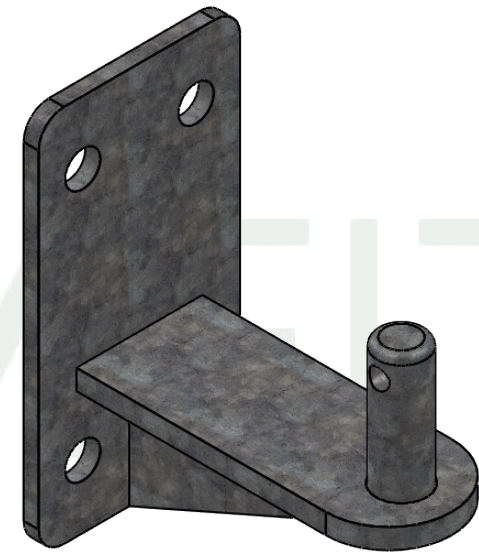
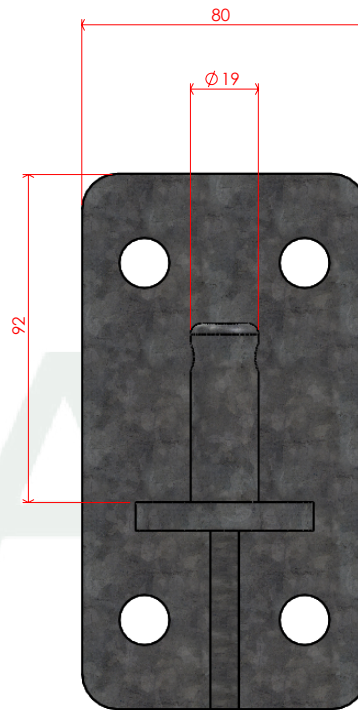
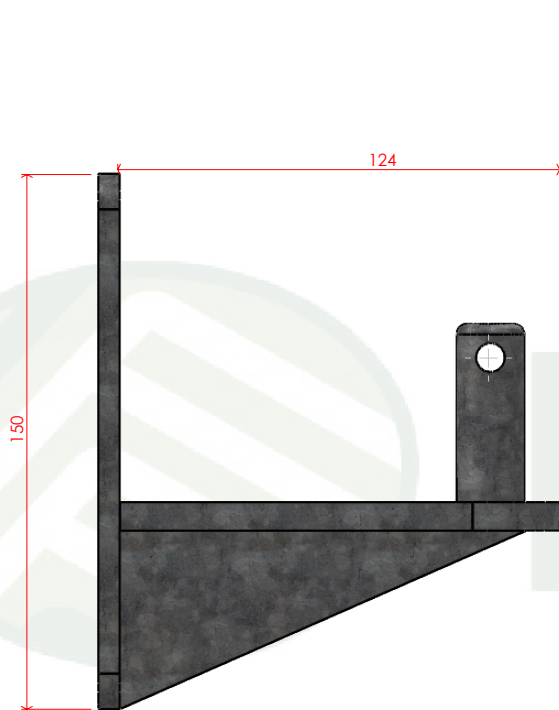
PLEASE NOTE NO ASSUMPTION SHOULD BE MADE IN RESPECT TO ANY CONSTRUCTIONAL DETAILS FROM THIS DRAWING. ALL SIZES ARE APPROXIMATE AND MAY CHANGE IN MANUFACTURING. IF IN DOUBT ASK. UNLESS OTHERWISE STATED ALL SIZES ARE IN MM

TITLE:
SINGLE HINGE TO SUIT 203X133 'H'
BEAM (SINGLE)

PRODUCT CODE:
AM330A



Unit 1, Kellwood Business Park, Dumfries, DG1 4HF
T: 01576 204 963
E: sales@farmfituk.com



Gates, Cubicles, Yokes, Feed Barriers, Sheep Equipment, Handling Systems, Concrete Products, Water Products, Posts, Fixings, Bespoke Fittings, Roofing, Ventilation & Much More!

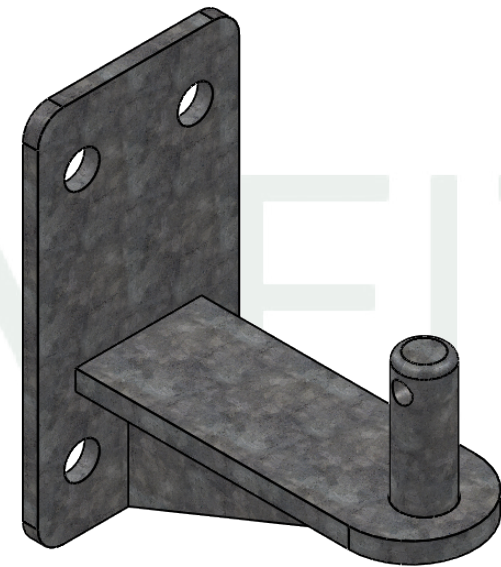
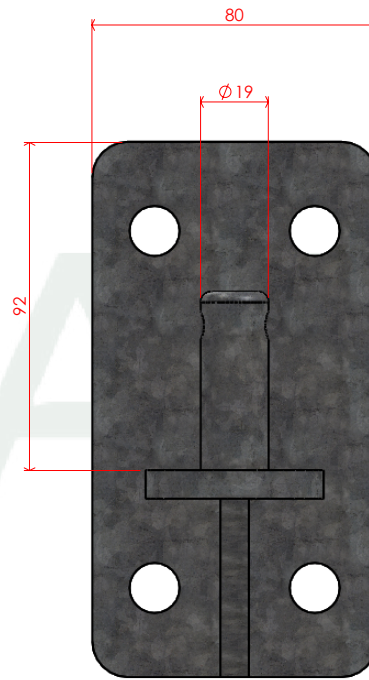
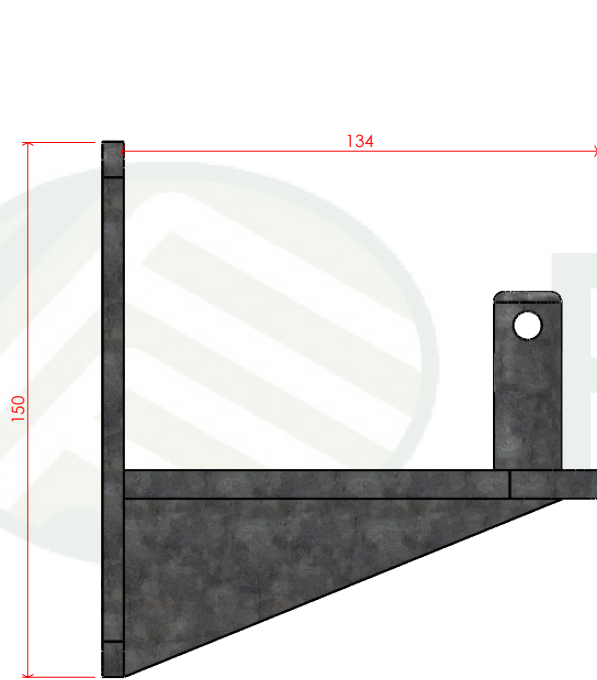
PLEASE NOTE NO ASSUMPTION SHOULD BE MADE IN RESPECT TO ANY CONSTRUCTIONAL DETAILS FROM THIS DRAWING. ALL SIZES ARE APPROXIMATE AND MAY CHANGE IN MANUFACTURING. IF IN DOUBT ASK. UNLESS OTHERWISE STATED ALL SIZES ARE IN MM

TITLE:
SINGLE HINGE TO SUIT 254X146 'H'
BEAM (SINGLE)

PRODUCT CODE:
AM331A



Unit 1, Kellwood Business Park, Dumfries, DG1 4HF
T: 01576 204 963
E: sales@farmfituk.com



Gates, Cubicles, Yokes, Feed Barriers, Sheep Equipment, Handling Systems, Concrete Products, Water Products, Posts, Fixings, Bespoke Fittings, Roofing, Ventilation & Much More!

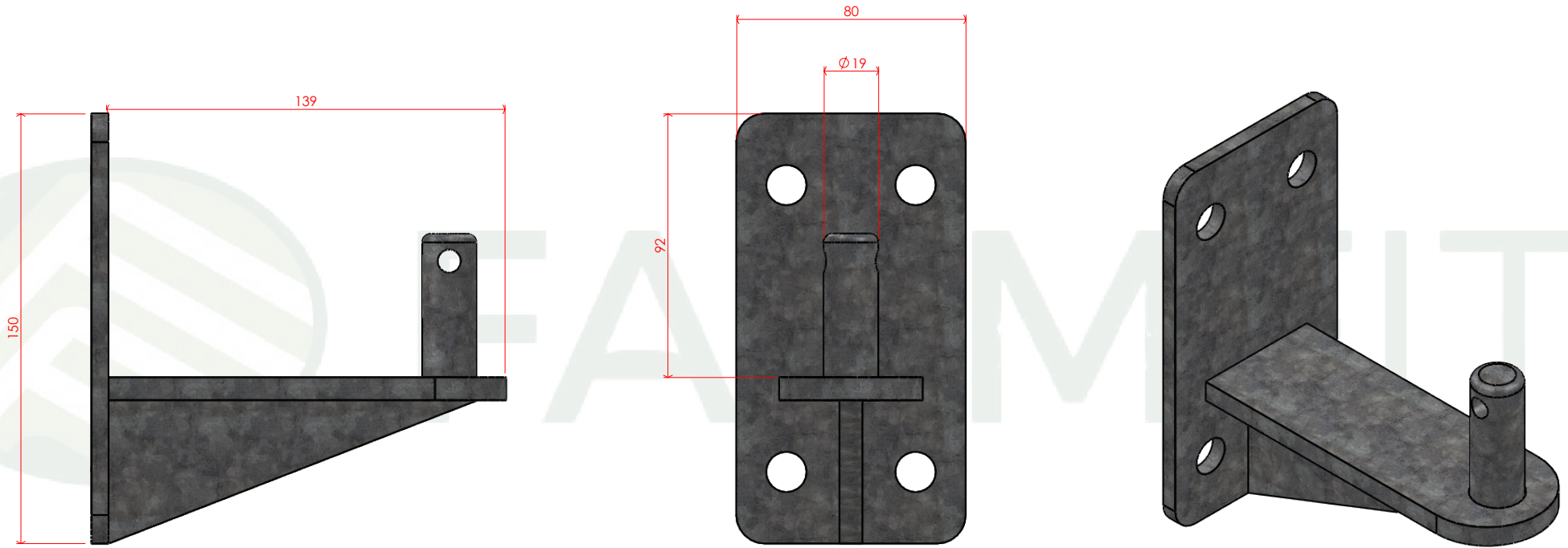
PLEASE NOTE NO ASSUMPTION SHOULD BE MADE IN RESPECT TO ANY CONSTRUCTIONAL DETAILS FROM THIS DRAWING. ALL SIZES ARE APPROXIMATE AND MAY CHANGE IN MANUFACTURING. IF IN DOUBT ASK. UNLESS OTHERWISE STATED ALL SIZES ARE IN MM

TITLE:
SINGLE HINGE TO SUIT 305X165 'H'
BEAM (SINGLE)

PRODUCT CODE:
AM332A



Unit 1, Kellwood Business
Park, Dumfries, DG1 4HF
T: 01576 204 963
E: sales@farmfituk.com



Gates, Cubicles, Yokes, Feed Barriers, Sheep Equipment, Handling Systems, Concrete Products, Water Products, Posts, Fixings, Bespoke Fittings, Roofing, Ventilation & Much More!

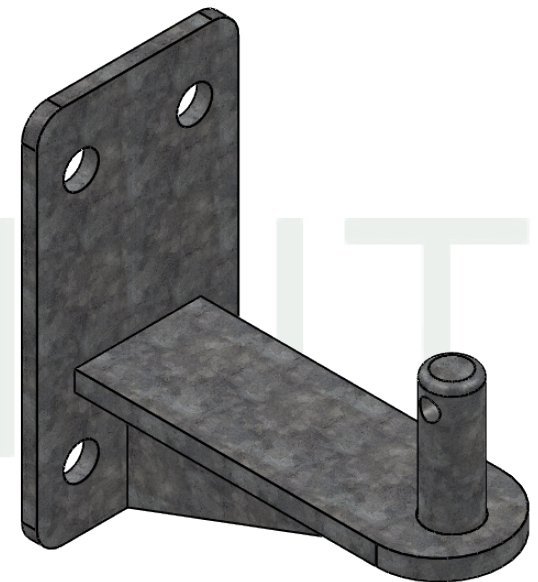
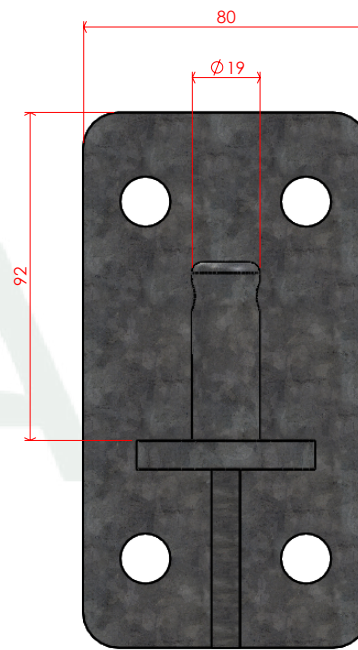
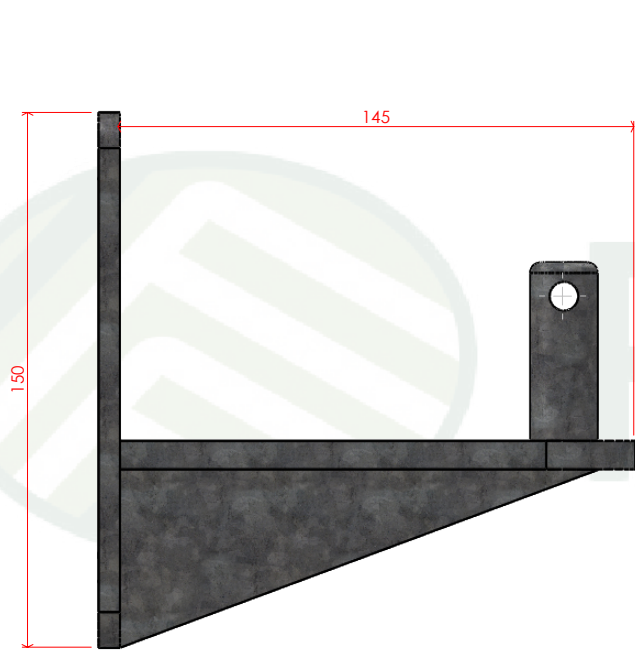
PLEASE NOTE NO ASSUMPTION SHOULD BE MADE IN RESPECT TO ANY CONSTRUCTIONAL DETAILS FROM THIS DRAWING. ALL SIZES ARE APPROXIMATE AND MAY CHANGE IN MANUFACTURING. IF IN DOUBT ASK. UNLESS OTHERWISE STATED ALL SIZES ARE IN MM

TITLE:
SINGLE HINGE TO SUIT 356X171 &
406X178 'H' BEAM (SINGLE)

PRODUCT CODE:
AM333A



Unit 1, Kellwood Business
Park, Dumfries, DG1 4HF
T: 01576 204 963
E: sales@farmfituk.com



Gates, Cubicles, Yokes, Feed Barriers, Sheep Equipment, Handling Systems, Concrete Products, Water Products, Posts, Fixings, Bespoke Fittings, Roofing, Ventilation & Much More!

PLEASE NOTE NO ASSUMPTION SHOULD BE MADE IN RESPECT TO ANY CONSTRUCTIONAL DETAILS FROM THIS DRAWING. ALL SIZES ARE APPROXIMATE AND MAY CHANGE IN MANUFACTURING. IF IN DOUBT ASK. UNLESS OTHERWISE STATED ALL SIZES ARE IN MM

TITLE:
SINGLE HINGE TO SUIT 457X191 'H'
BEAM (SINGLE)

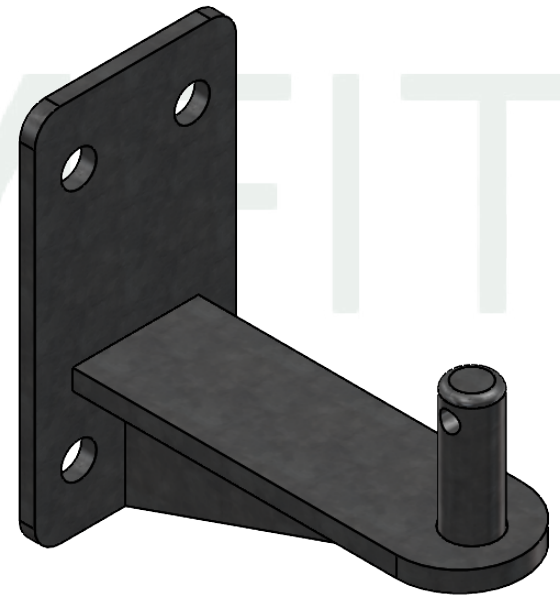
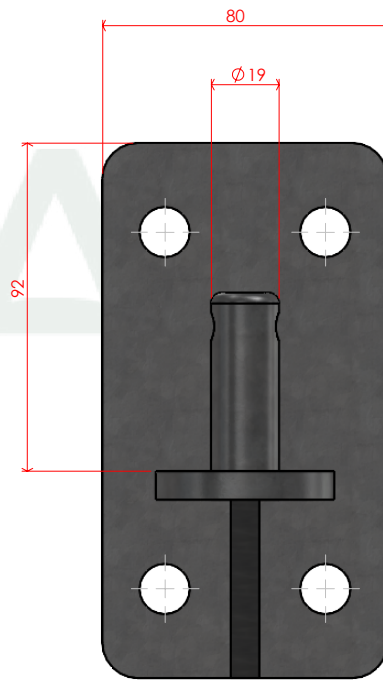
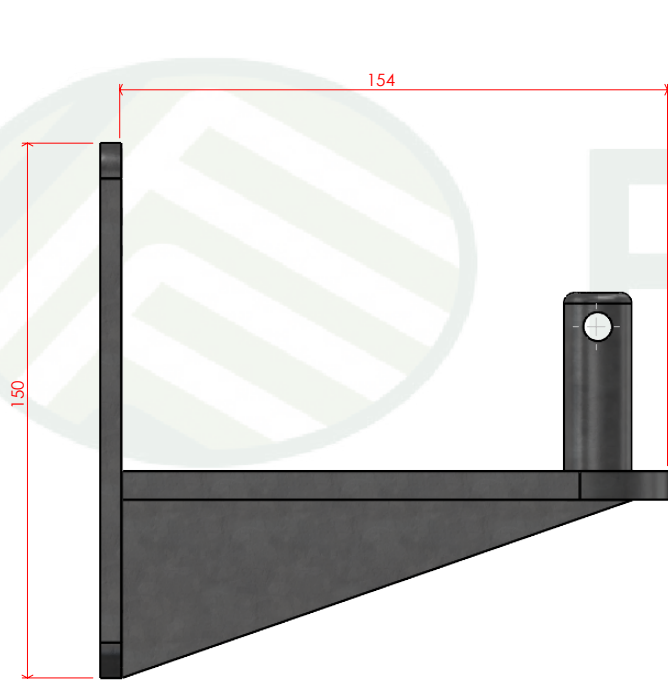
PRODUCT CODE:
AM334A



FARMFIT

Unit 1, Kellwood Business Park, Dumfries, DG1 4HF

T: 01576 204 963
E: sales@farmfituk.com



Gates, Cubicles, Yokes, Feed Barriers, Sheep Equipment, Handling Systems, Concrete Products, Water Products, Posts, Fixings, Bespoke Fittings, Roofing, Ventilation & Much More!

PLEASE NOTE NO ASSUMPTION SHOULD BE MADE IN RESPECT TO ANY CONSTRUCTIONAL DETAILS FROM THIS DRAWING. ALL SIZES ARE APPROXIMATE AND MAY CHANGE IN MANUFACTURING. IF IN DOUBT ASK. UNLESS OTHERWISE STATED ALL SIZES ARE IN MM

TITLE:
Single Hinge to suit 533x210 H Beams

PRODUCT CODE:
AM335



FARMFIT

Unit 1, Kellwood Business Park, Dumfries, DG1 4HF

T: 01576 204 963
E: sales@farmfituk.com