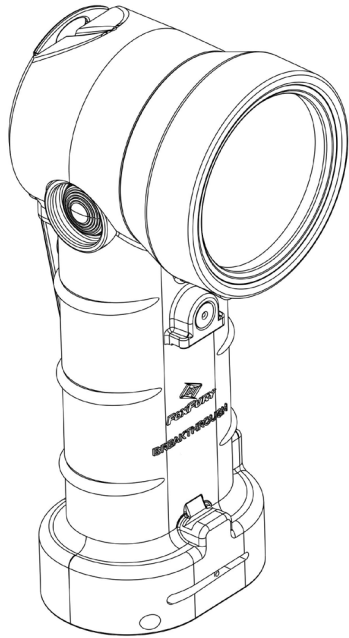


BT2+



BTS

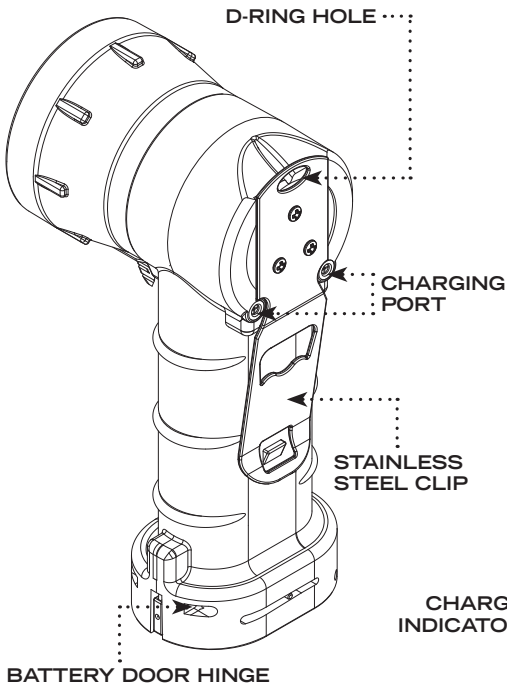
BREAKTHROUGH® SERIES

380-BT2P-BL | 380-BT2P-OR | 380-BTS-BL | 380-BTS-BY

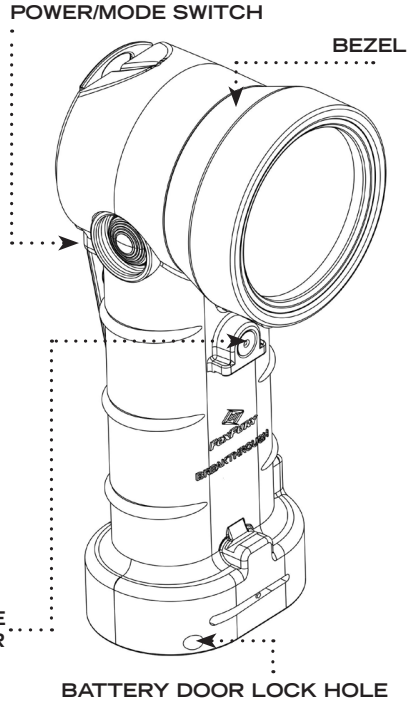
PRODUCT MANUAL

BT REFERENCE GUIDE

BACK*

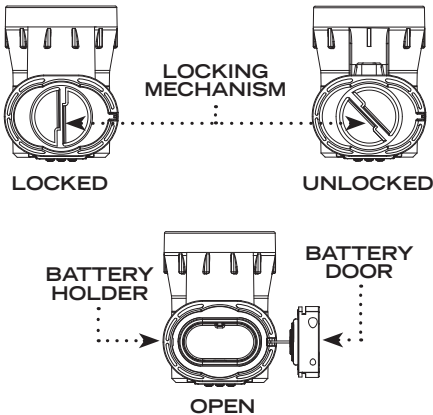


FRONT

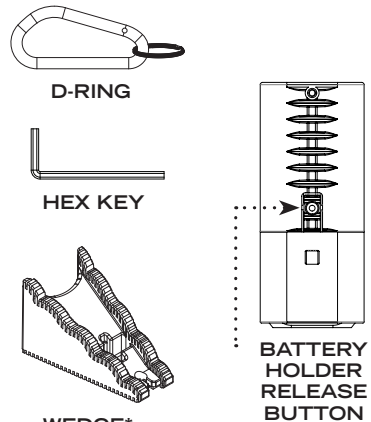


*BT2+ depicted on the left, BTS on the right.

BATTERY DOOR (BOTTOM VIEW)



ALSO INCLUDED



3.0 x 1.8 x 1.6 in (76 x 46 x 41 mm)
1.6 oz (45 g)

* Not included with BTS

OVERVIEW

From illuminating street addresses, to long range inspections, to locating persons or property, the Breakthrough® Series' focused beams help the user see better and respond faster, whether at a long distance or in close quarters. These battery powered lights clip to gear via the Stainless Steel Clip or carabiner for hands-free use.

PHYSICAL CHARACTERISTICS

Please read below before using your Breakthrough® as it relays beneficial operating and safety information.

BT2+

DIMENSIONS	2.8 x 3.8 x 7.5 in tall (71 x 97 x 190 mm) 2.8 in Head Diameter (71 mm)
WEIGHT	1.2 lbs (544 g)

BTS

DIMENSIONS	2.8 x 3.1 x 7.5 in (71 x 79 x 190 mm) 2.8 in Head Diameter (71 mm)
WEIGHT	1.1 lbs (499 g)

WARNINGS



When used for extended periods of time the Breakthrough® Stainless Steel Clip will become HOT to the touch. Please use care when operating.



Do not stare into LEDs for long periods of time or from a close range (less than 2 ft or 0.6 m).

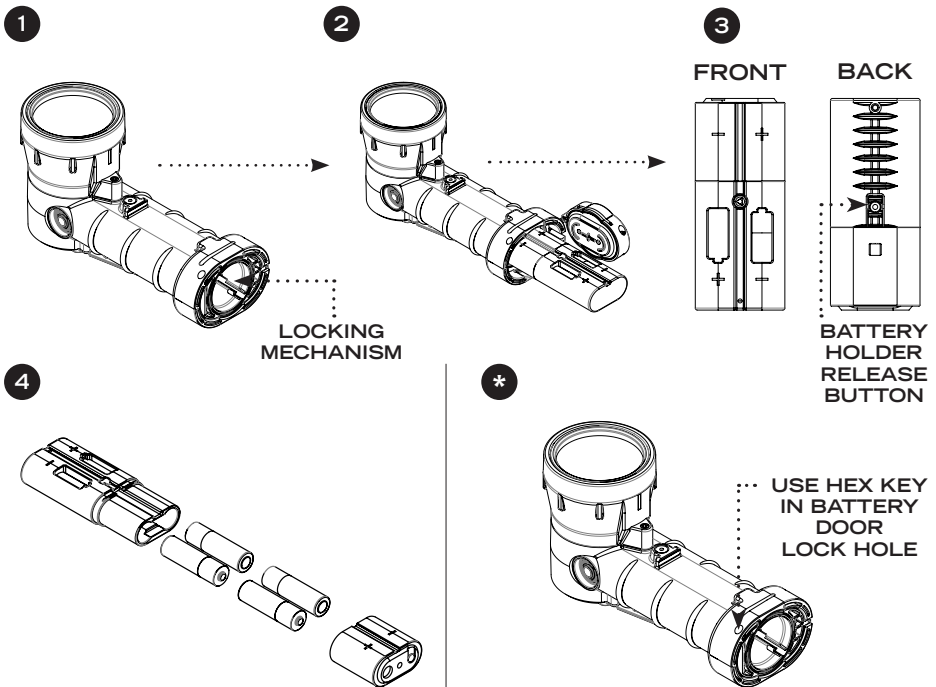
BATTERIES

❖ The BT Series requires four (4) AA batteries. Acceptable battery types include: Alkaline, rechargeable NiMH or LiFeS₂ (1.2 to 1.6 volts each).

❖ DO NOT use Lithium Ion AA batteries (3V, 3.3V or 3.6V) as they will damage the unit and VOID the FoxFury warranty.

NOTE: Mixing of new and used, or different brand batteries is not recommended as this could lead to leakage or explosion.

BATTERY INSTALLATION AND REPLACEMENT



1. Turn the Locking Mechanism (located on the Battery Door) counter-clockwise. Pull the Battery Door straight out, away from the Light Body.

❖ NOTE: The Battery Door will remain attached to the Light Body.

2. Then, tilt the Light Body up so that the Battery Holder slides out.

3. Once the Battery Holder is out of the Light Body, flip the Battery Holder over. Press the Battery Holder Release Button to open it.

4. Insert four (4) AA batteries into the Battery Holder. Reference the plus (+) and minus (-) symbols located on the front of the Battery Holder for proper installation.

REASSEMBLING THE BT

1. Once batteries are installed, push both halves of the Battery Holder back together. A 'click' should be heard as the halves become locked together.
2. Reinsert the Battery Holder into the Light Body. Take note of the Key Way (groove that the Battery Holder aligns with).
3. Close the Battery Door and turn the Locking Mechanism clockwise.

- ❖ NOTE: Make sure the Battery Door is properly closed to maintain a water tight seal.
- ❖ For added protection, the Battery Door can be secured with a secondary lock (Battery Door Lock Hole) by use of the provided Hex Key.
- ❖ Test the light's performance by activating the Power/Mode Switch located on the right hand side of the light.

BT2+ BATTERY LIFE

MODE	BATTERY LIFE	LUMENS
HIGH POWER	2 hours	700
LOW POWER	5 hours	100
FLASHING	8 hours	700

*Battery life may vary according to mode selected, battery quality and prevailing ambient conditions.

BTS BATTERY LIFE

MODE	BATTERY LIFE	LUMENS
HIGH POWER	3 hours	500
LOW POWER	6 hours	100
FLASHING	12 hours	500

*Battery life may vary according to mode selected, battery quality and prevailing ambient conditions.

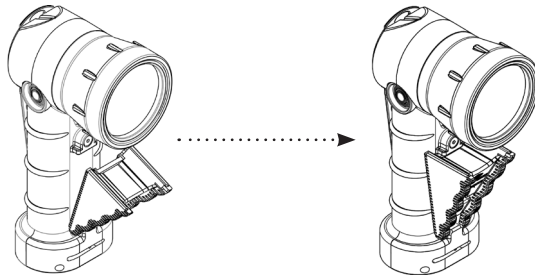
OPERATIONAL MODES

- ❖ HIGH mode: Press the Power/Mode Switch once. From any mode, press twice (once for OFF and once for ON) to get back to HIGH mode.
- ❖ LOW mode: From HIGH mode, press and hold the Power/Mode Switch for 2.5 sec.
- ❖ FLASHING mode: From LOW mode, press and hold the Power/Mode Switch for 2.5 sec. To get back to LOW mode, press and hold the Power/Mode Switch for an additional 2.5 sec.
- ❖ OFF or to EXIT a mode: Press the Power/Mode Switch once.

NOTE: The light does not retain the mode in memory. Once you turn the light ON, you will have to reselect the mode you desire.

ASSEMBLING THE WEDGE

The BT2+ comes with one (1) Wedge and it is an optional accessory for the BTS. The purpose of the Wedge is to keep doors open. It can be placed under a door or at the door hinge opening.



Place the narrow end of the Wedge on the bottom notch (located above the Battery Door). Maneuver the wide end of the Wedge to the top notch (located below the Charge Indicator).

WARRANTY AND OTHER INFORMATION

PRODUCT DURABILITY



Meets requirements of NFPA 1971-8.6 (2013).

CARE/CLEANING

Your FoxFury product is a professional tool, but regular maintenance and care of your light will maximize performance for you. As needed, wash your FoxFury product using a soft washcloth, clean water and a mild soap. Be sure that the Battery Door is SEALED before washing. When done, pat dry with a damp cloth.

AVAILABLE ACCESSORIES

- ❖ BT Rechargeable Kit, P/N 600-380BT
- ❖ Breakthrough® Wedge Black set of 3, P/N 700-WDG-BL
- ❖ Breakthrough® Wedge Yellow set of 3, P/N 700-WDG-YE

WARNINGS

FoxFury, LLC is not responsible for the incorrect use of any FoxFury Lighting product.

- ❖ Lights are strong enough to cause damage to the human eye.
- ❖ Do not stare into LEDs for long periods of time or from a close range (less than 2 ft).

- ❖ FoxFury, LLC is not responsible for any injury or damage caused during the use of this product.
- ❖ Usage of this product must be supervised by an adult when it is being used by a minor.
- ❖ Any FoxFury product should be operated at speeds safe enough to maneuver around surrounding obstacles.
- ❖ Do not use under the influence of drugs or alcohol.

LIMITED LIFETIME WARRANTY

FoxFury, LLC ("FoxFury") warrants this product to be free from defects in material for a lifetime of use except for batteries, LEDs, abuse, and normal wear. We will repair or replace this product should we determine it to be defective. This limited lifetime warranty excludes rechargeable batteries, chargers, switches, and electronics, which have a 2-year warranty with proof of purchase.

This limited lifetime warranty is given only to the original end user of the accompanying product. If you purchased a product from someone other than an authorized FoxFury reseller/distributor or if the product was used (including but not limited to demo models, show models or refurbished product by someone other than FoxFury) prior to your purchase, you are not the Original Purchaser and the product that you purchased is not covered by this

warranty. This limited warranty is VOID if this Product has been altered or modified in any way (including but not limited to attempted warranty repair without authorization from FoxFury and/or alteration/removal of the serial number). To expedite warranty concerns, we encourage the end user to register their FoxFury Product at www.foxfury.com/pages/warranty-registration.

THIS IS THE ONLY WARRANTY, EXPRESSED OR IMPLIED, INCLUDING ANY WARRANTY OF MERCHANTABILITY OR FITNESS FOR A PARTICULAR PURPOSE. INCIDENTAL, CONSEQUENTIAL OR SPECIAL DAMAGES ARE EXPRESSLY DISCLAIMED EXCEPT WHERE SUCH LIMITATION IS PROHIBITED BY LAW.

You may have other specific legal rights which vary by jurisdiction. Go to www.foxfury.com/pages/warranty for a complete copy of the warranty. Retain your receipt for proof of purchase.

CONTACT FOXFURY

FoxFury, LLC
Oceanside, CA 92056 USA

Toll-Free: 844-FOXFURY

Tel: 760.945.4231

Fax: 760.433.3650

Email: service@FoxFury.com

Web: FoxFury.com

All FoxFury products are designed in Oceanside, CA. All FoxFury products are manufactured with the highest quality USA and foreign parts. Products are assembled in either FoxFury's controlled plant in Asia or the USA, under strict quality control.

CALIFORNIA PROPOSITION 65

This product can expose you to chemicals including Lead and DEHP, which are known to the State of California to cause cancer and birth defects or other reproductive harm. For more information go to www.P65Warnings.ca.gov

