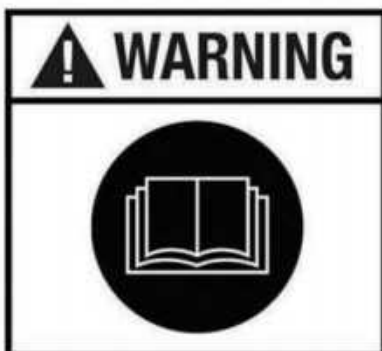
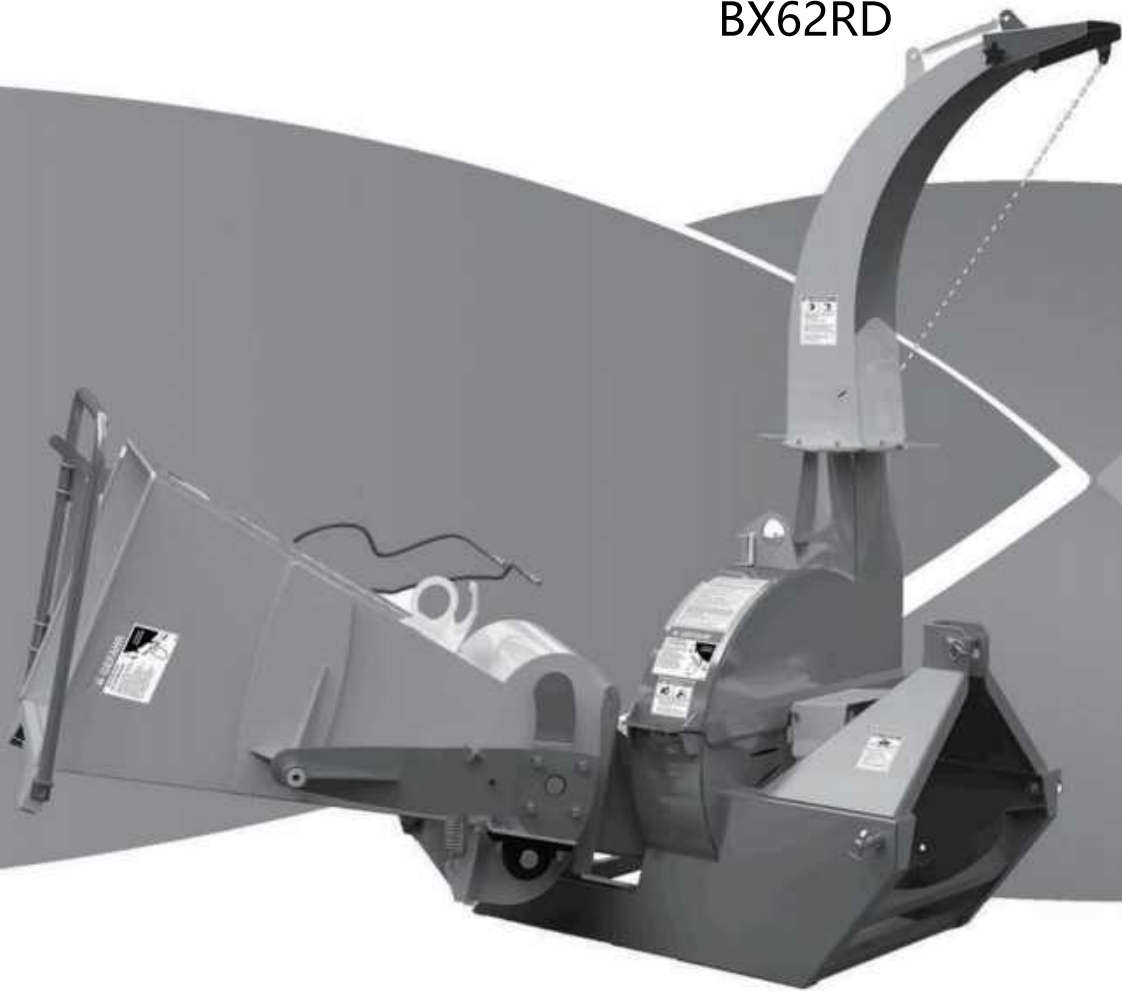


MechMaxx

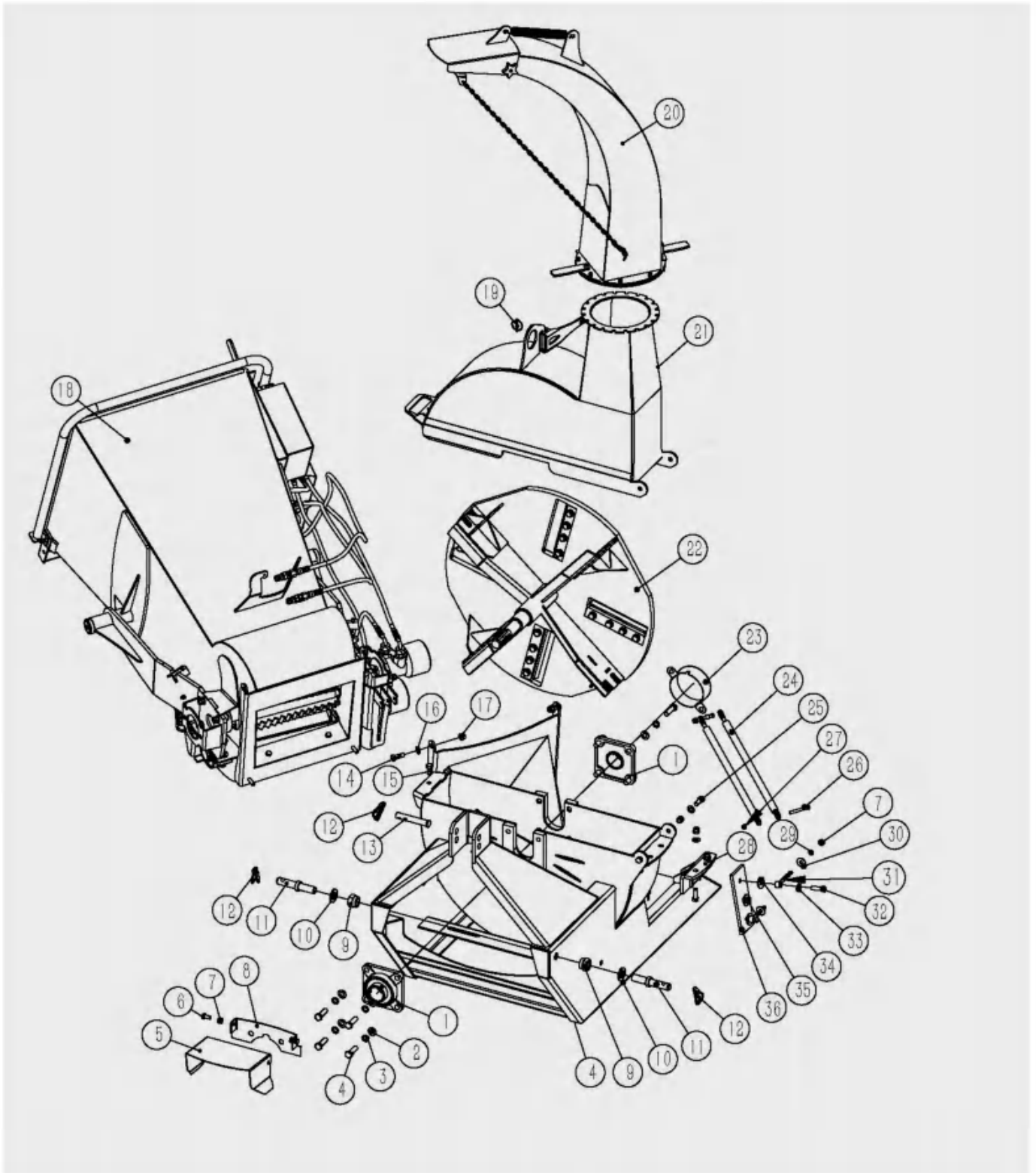
3 POINT HITCH WOOD CHIPPER Operation Manual

BX62RD



- Please read the product manual completely before assembly
- Check against the parts list to make sure all parts are received
- Wear proper safety goggles or other protective gears while in assembly

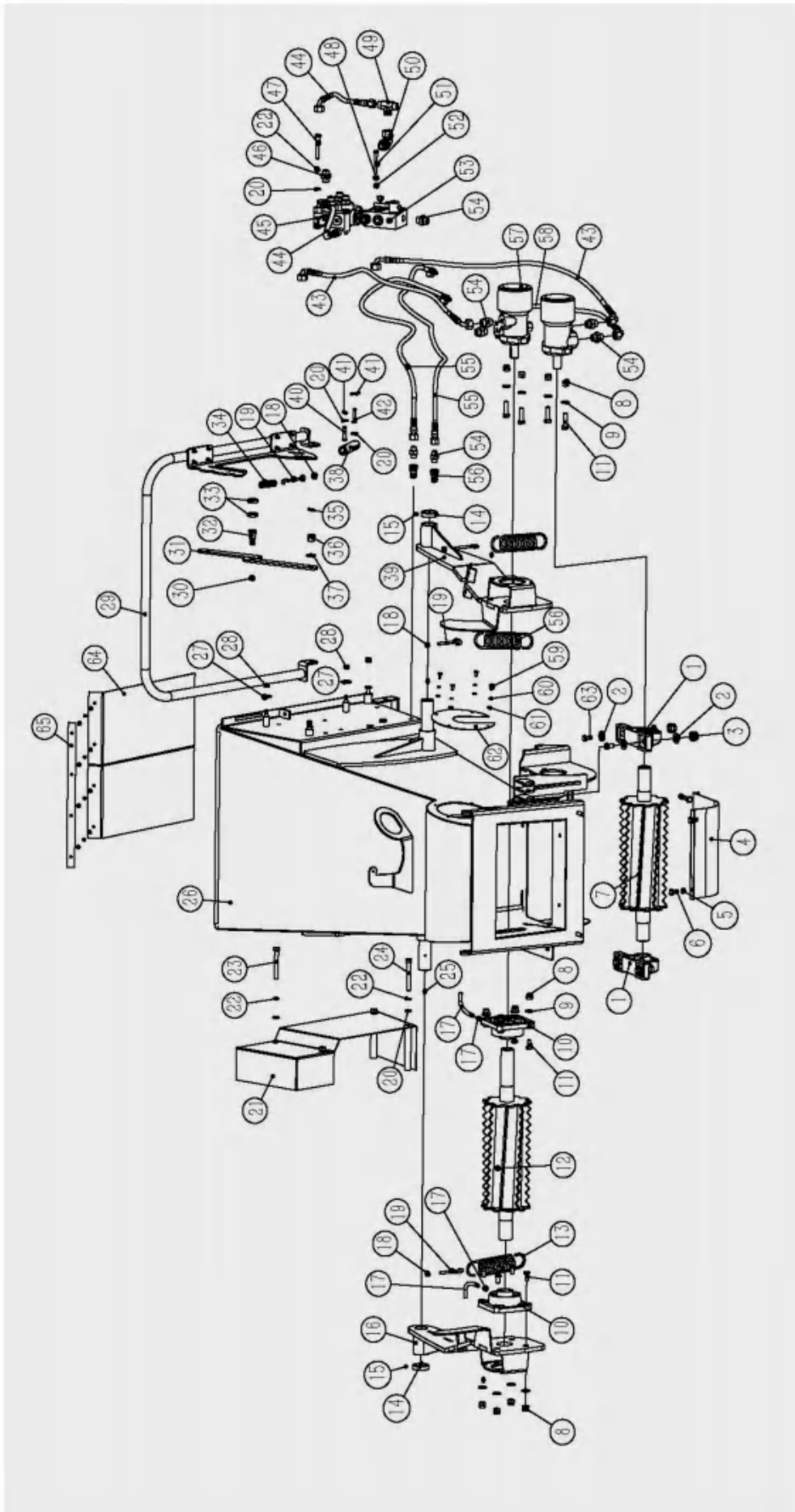
1、 Main part



1、 Main part

REF	BX62RD	DESCRIPTION	QTY
1	GB/T7810	Bearing F210	2
2	GB/T97.1	Washer 14	8
3	GB/T93	Spring washer 14	8
4	GB/T5786	Bolt M14*1.5*45	8
5	BX62R.9	PTO Cover	1
6	GB/T5783	Bolt M10*20	2
7	GB/T889.1	Nut M10	2
8	BX62R.8	Plate	1
9	GB/T6171	Bolt M22*1.5	2
10	GB/T93	Spring washer 22	2
11	BX42S.5	Low Pin	2
12	FEL300.111	Lock pin 12	3
13	BX42R.6	Top pin	1
14	GB/T5783	Bolt M12*35	7
15	GB/T5783	Bolt M12*25	1
16	GB/T97.1	Washer 12	4
17	GB/T889.1	Nut M12	5
18	BX42R.2	Hopper	1
19		Lock pin	1
20	BX42R.4	Assembly, Discharge Chute	1
21	BX62R.5	Top cover weldment	1
22	BX62R.3	Fly wheel assemble	1
23		Cover bearing	1
24	BX62R.10	Gas spring	2
25	GB/T5783	Bolt M12*30	4
26	GB/T5783	Bolt M8*65	4
27	GB/T889.1	Nut M8	4
28	BX62R.6	Counter knife bracket	1
29	GB/T93	Spring washer 10	2
30	GB/T96.1	Big washer 10	4
31	BX62R.11	Adjustment bolt	2
32	GB/T5786	Bolt M12*1.5*40	2
33	GB/T93	Spring washer 12	2
34	GB/T96.1	Big washer 12	3
35	GB/T5786	Bolt M12*1.5*30	2
36	BX62R.7	Counter knife	1

2、Hopper

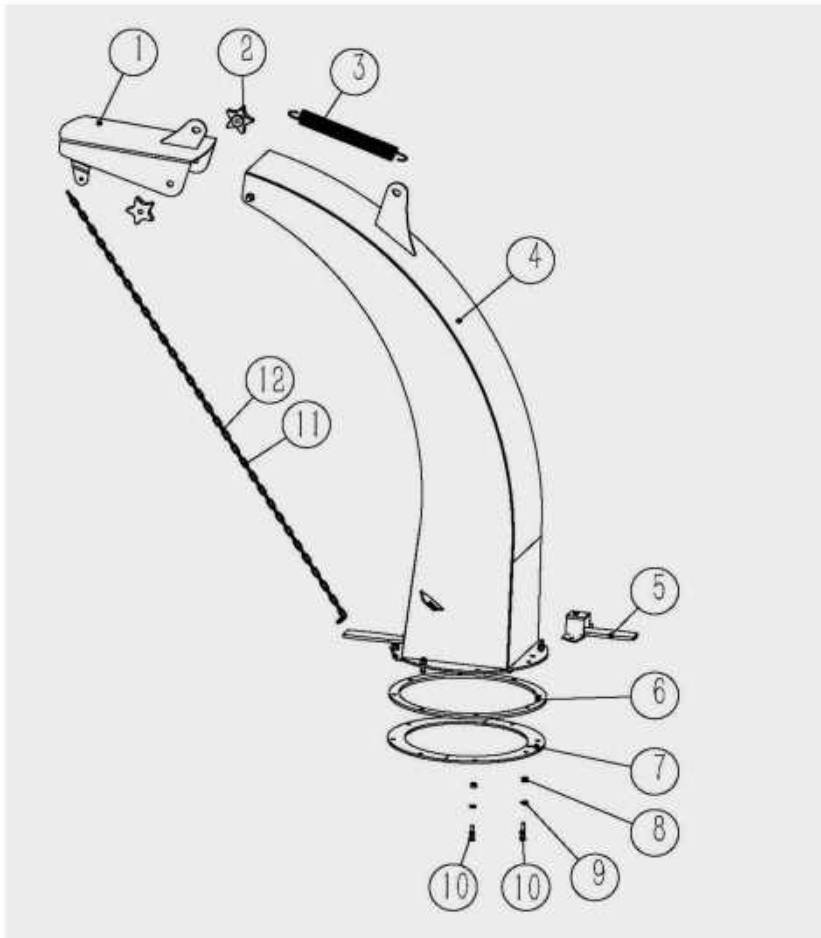


2、Hopper

REF	BX62RD	DESCRIPTION	QTY
1	GB/T7810	Bearing UCP208	2
2	GB/T97.1	Washer 16	8
3	GB889.1	Nut M16	4
4	BX62R.2.14	Plate	1
5	GB 889.1	Nut M8	7
6	GB/T5783	Bolt M8*20	4
7	BX62R.2.2	Down roller	1
8	GB/T889.1	Nut M12	12
9	GB/T97.1	Washer 12	12
10	GB/T7810	Bearing UCF208	2
11	GB/T5783	Bolt M12*45	12
12	BX62R.2.3	Top Roller	1
13	BX62R.2.20	Spring2	3
14	BX62R.2.17	Ring for shaft	2
15	GB/T78	Bolt M6*8	4
16	BX62R.2.5	Right bracket	1
17	M6-6x4	Connection	2
18	GB/T889.1	Nut M8	3
19	BX62R.2.10	Drag hook	4
20	GB/T97.1	Washer 10	9
21	BX62R.2.8	Cover	1
22	GB/T93	Spring washer10	7
23	GB/T5782	Bolt M10*110	2
24	GB/T5782	Bolt M10*160	2
25	GB/T1152	Grease nipple M6*1	2
26	BX62R.2.1	Hopper weldment	1
27	GB/T96.1	Big washer 10	2
28	GB/T889.1	Nut M10	2
29	BX62R.2.6	Handle	1
30	GB/T889.1	Nut M14	8
31	BX62R.2.9	Adjustment bar	1
32	BX62R.2.11	Pin for bearing	1
33	GB/T276	Bearing 62804-2RS	2
34	BX62R.2.19	Spring1	1
35	GB/T91	Circlip 3.2*20	1
36	GB /T6178	Nut M14	1
37	GB/T97.1	Washer 14	2
38	BX62R.2.12	Bar	1
39	BX62R.2.4	Left bracket	1
406	BX62R.2.21	Pin	1
41	GB/T91	Circlip 5*20	2

42	BX62R.2.13	Pin	1
43	BX62R.2.18.1	Oil pipe 1	2
44	BX62R.2.18.3	Oil pipe 3	1
45	ZT-L20E-0W	Valve	1
46		M18*1.5	4
47	GB/T5783	Bolt M10*70	3
48	GB/T93	Spring washer 8	2
49	ET12L0MD	Connection M18*1.5	1
50	WEE12LR 1/2MD	Connection M18*1.5-G1/2	1
51	GB/T5783	Bolt M8*70	2
52	GB/T97.1	Washer 8	2
53	FCH-60	Flow adjustment	1
54	GE12LR1//ED	Connection M18*1.5-G1/2	7
55	BX62R.2.18.4	Oil pipe4	2
56	GB/T5862	Connection G1/2	2
57	BMR-200-2-A-D-N1	Motor	2
58	BX62R.2.18.2	Oil pipe 2	1
59	GB/T5783	Bolt M6*12	4
60	GB/T93	Spring washer 6	8
61	GB/T97.1	Washer 6	8
62	BX62R.2.7	Cover	1
63	GB/T5783	Bolt M16	4
64	BX62R.2.15	Rubber	2
65	BX62R.2.16	Plate	1

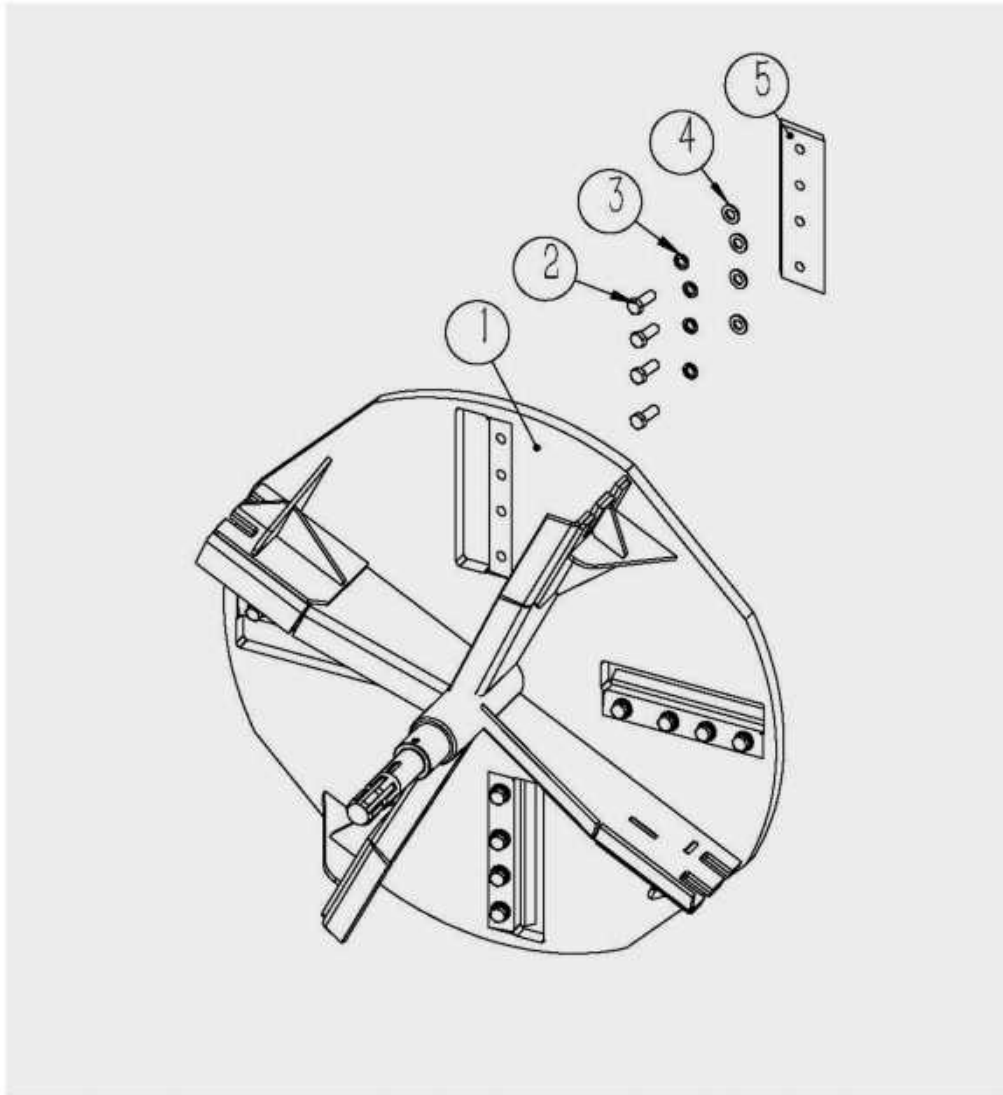
3.Discharge Chute



3.Discharge Chute

REF	BX62RD	DESCRIPTION	QTY
1	BX62R.4.2	Cover weldment	1
2		Nut	2
3	BX62R.4.5	Spring 3	1
4	BX62R.4.1	Assembly, Discharge Chute	1
5	BX42S.1.2	Lock pin	1
6	BX62R.4.3	Bushing	1
7	BX62R.4.4	Plate	1
8	GB/T889.1	Nut 6	8
9	GB/T97.1	Washer 6	8
10	GB/T5783	Bolt M6*25	8
11	JB/T8108.2	Chain 3*1100	1
12	JB/T8112	D- Lock	1

4.Fly Wheel



4.Fly wheel

REF	BX62RD	DESCRIPTION	QTY
1	BX62R.3.1	Fly wheel weldment	1
2	GB /T5783	Bolt M12*30	16
3	GB /T93	Spring washer 12	16
4	GB /T97.1	Washer 12	16
5	BX62R.3.2	Knife	4

MechMaxx

**3 POINT
HITCH WOOD CHIPPER
Operation Manual**

BX62RD