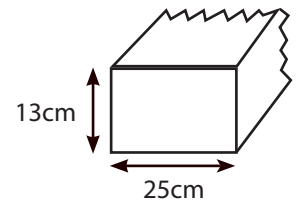
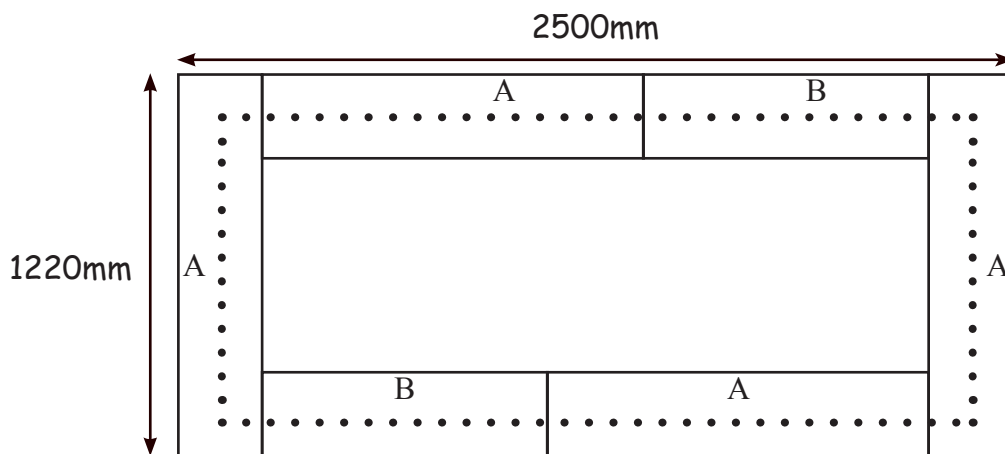


To construct the sleepers for your Flyte Aviary Hen House arrange them as shown in the plan below, ensuring that the sleepers are aligned as precisely as possible, and that corners are at 90° to construct a level base. Screw them together through the pilot holes if you wish, 80cm screws provided. All sleepers are labelled with appropriate letters.

After you have placed your sleepers in position, widest side flat to the ground, proceed to build your Hen House (as per your separate Flyte Aviary Hen House instructions) on top. The dotted line in the diagrams denotes the best positioning on the sleepers.

••••• Symbolises the position of the Hen House & Run

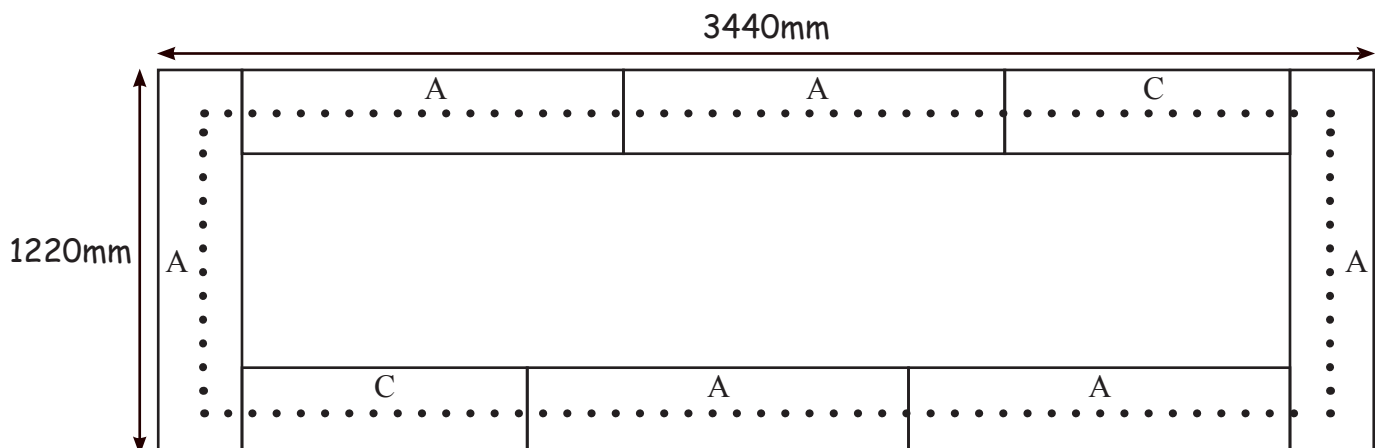
Sleeper Layout for Flyte Aviary 4 & 6



Your Sleeper & Woodchip Pack Includes	
A Sleepers	4
B Sleepers	2
70 lit Bags of Woodchip	2

Sleeper Lengths: A = 1220mm (48") B = 825mm (32.5")

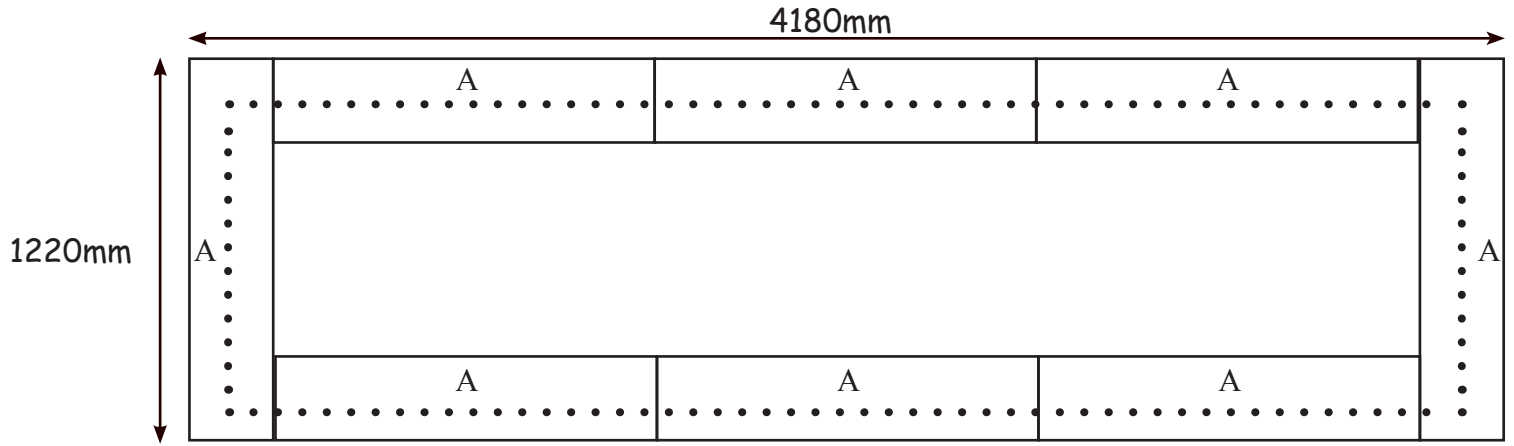
Sleeper Layout for Flyte Aviary 4 & 6 with 3ft Extension



Sleeper Lengths: A = 1220mm (48") C = 540mm (21")

Your Sleeper & Woodchip Pack Includes	
A Sleepers	6
C Sleepers	2
70 lit Bags of Woodchip	3

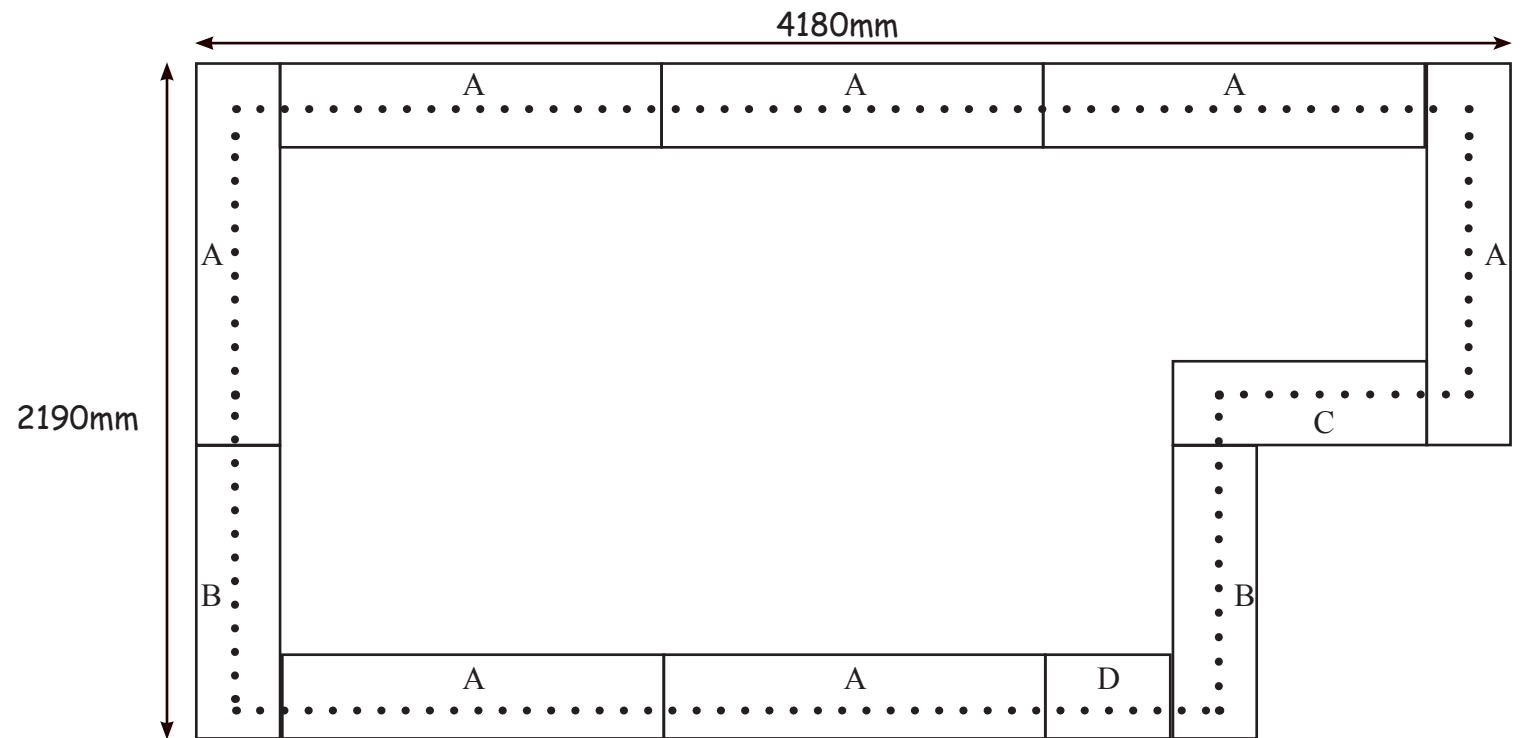
Sleeper Layout for Flyte Aviary 8



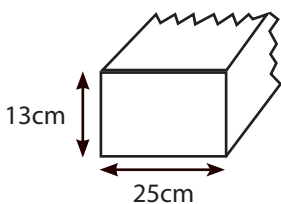
Sleeper Lengths: A = 1220mm (48")

Your Sleeper & Woodchip Pack Includes	
A Sleepers	8
70 lit Bags of Woodchip	4

Sleeper Layout for Flyte Aviary 8 Grand



Sleeper Lengths: A = 1220mm (48") B = 970mm (38") C = 860mm (33") D = 360mm (14")



Your Sleeper & Woodchip Pack Includes	
A Sleepers	7
B Sleepers	2
C Sleepers	1
D Sleepers	1
70 lit Bags of Woodchip	7