

# Flyte So Fancy

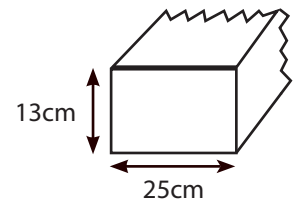
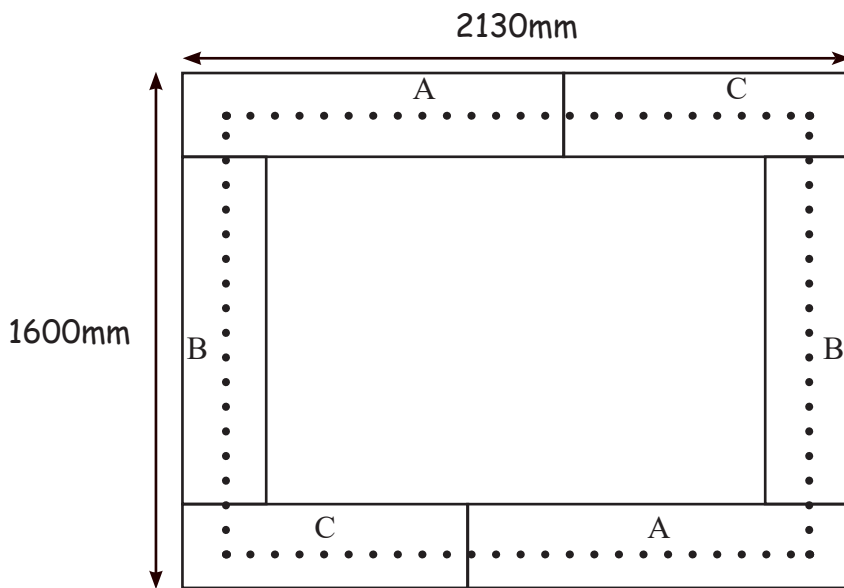
The Heart of Quality

To construct the sleepers for your Arch Hen/Cat or Rabbit House arrange them as shown in the plan below, ensuring that the sleepers are aligned as precisely as possible, and that corners are at 90° to construct a level base. Screw them together through the pilot holes if you wish, 80cm screws provided. All sleepers are labelled with appropriate letters.

After you have placed your sleepers in position, widest side flat to the ground, proceed to build your House (as per your separate Arch House instructions) on top. The dotted line in the diagrams denotes the best positioning on the sleepers.

• • • • • Symbolises the position of the House & Run

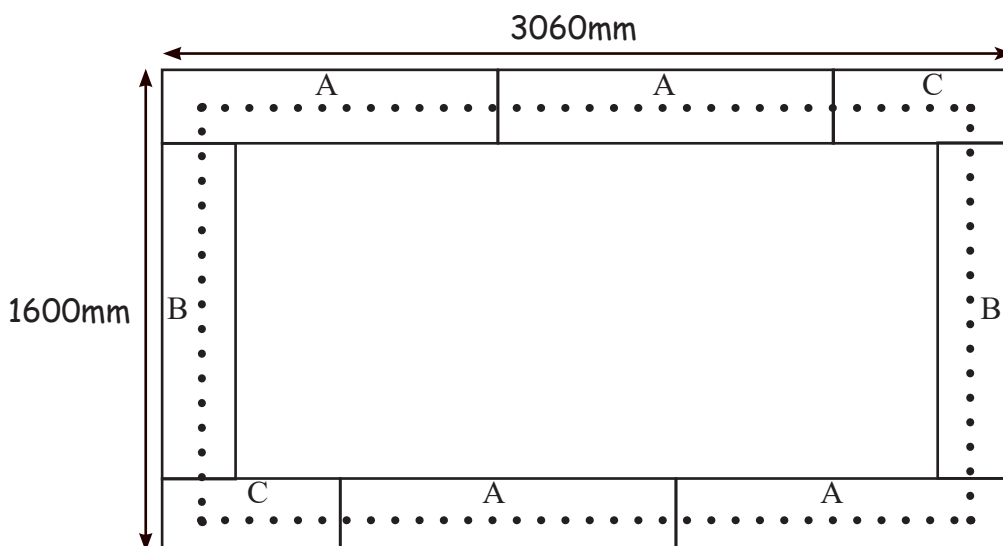
## Sleeper Layout for Baby Arch House



Your Sleeper & Woodchip Pack Includes	
A Sleepers	2
B Sleepers	2
C Sleepers	2
70 lit Bags of Woodchip	3

Sleeper Lengths: A = 1220mm (48") B = 1100mm (43") C = 910mm (36")

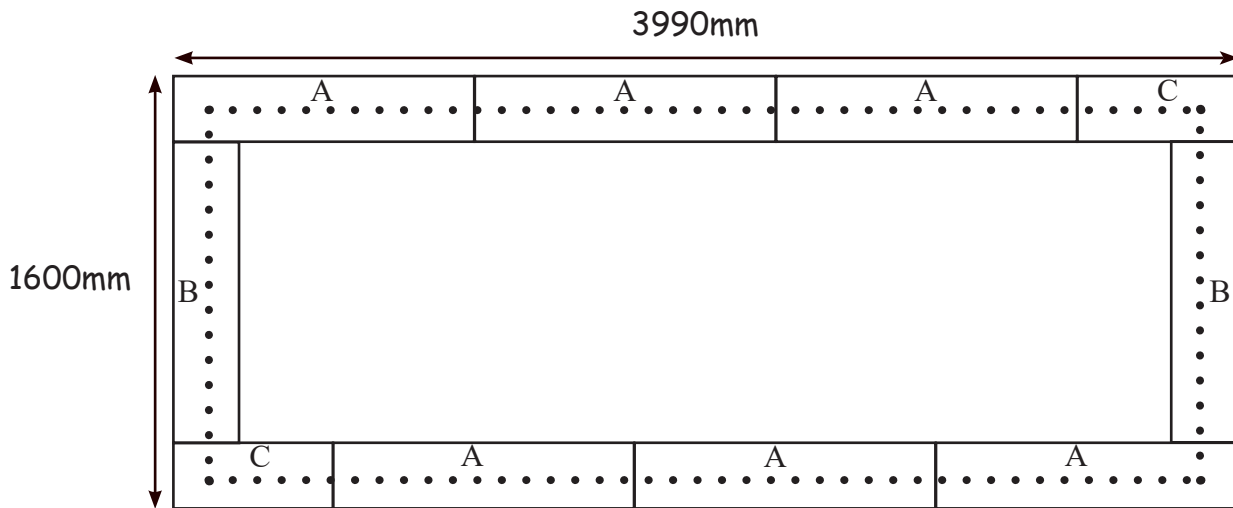
## Sleeper Layout for Standard Arch House



Your Sleeper & Woodchip Pack Includes	
A Sleepers	4
B Sleepers	2
C Sleepers	2
70 lit Bags of Woodchip	4

Sleeper Lengths: A = 1220mm (48") B = 1100mm (43") C = 620mm (24.5")

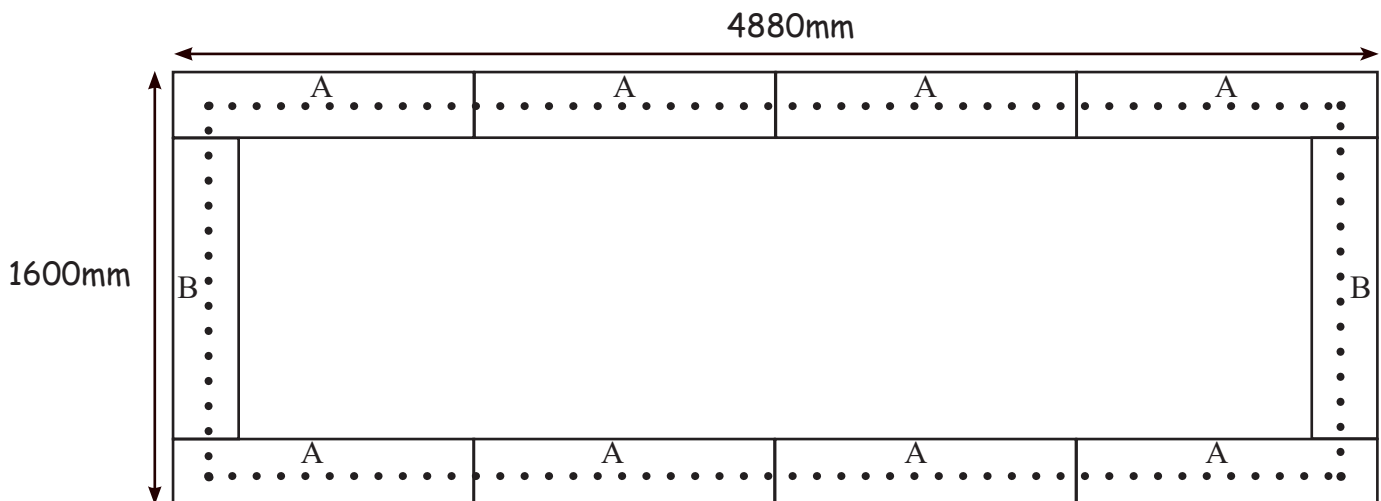
## Sleeper Layout for Standard Arch House with 3ft Extension



Sleeper Lengths: A = 1220mm (48")  
 B = 1100mm (43")  
 C = 330mm (13")

Your Sleeper & Woodchip Pack Includes	
A Sleepers	6
B Sleepers	2
C Sleepers	2
70 lit Bags of Woodchip	5

## Sleeper Layout for Standard Arch House with 6ft Extension



Sleeper Lengths: A = 1220mm (48")  
 B = 1100mm (43")

Your Sleeper & Woodchip Pack Includes	
A Sleepers	8
B Sleepers	2
70 lit Bags of Woodchip	6

