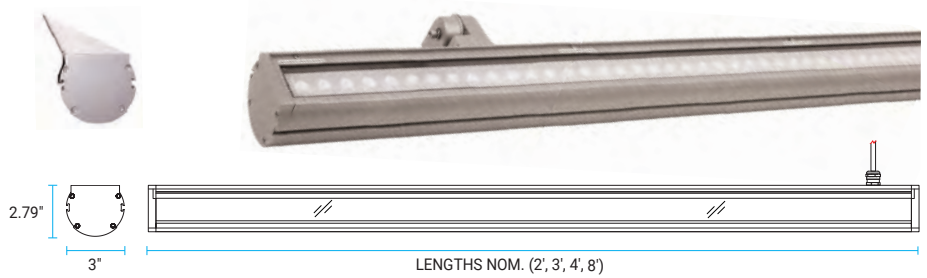


# Architura 1400

## Linear Wallwash LED

120-277VAC

Project
Date



LS	Delivered Output	Watts
3.5W/ft		
2ft	546lm	7w
3ft	819lm	10.5w
4ft	1092lm	14w
8ft	2184lm	28w

LH	Delivered Output	Watts
4.5W/ft		
2ft	702lm	9w
3ft	1053lm	13.5w
4ft	1404lm	18w
8ft	2808lm	36w

\*based on 30° optics



### DESCRIPTION

High performance linear wallwash luminaire. Stand alone or connectable in runs up to 295ft with thru-wiring. Lens options enable grazing or long throw, and increase peak lumen output up to five times for high illuminance and improved energy efficiency. Select 30° or 45° lensing for optimum performance and aiming when installing 6in to 4ft off the illuminated surface. Cool running fixtures endure extreme climates. Perfect for facade and landscape applications, with unparalleled uniformity. A new feature of Architura® 1400 are their maintainable field replaceable lensed LEDs.

### FEATURES

<b>Construction</b>	Powder coated aluminum fixtures. Polycarbonate lenses.
<b>Length (nom.)</b>	2ft , 3ft , 4ft ,8ft
<b>White CCT</b>	2700K, 3000K, 3500K, 4000K, 5000K
<b>Dimming</b>	Non-dimming, 0-10V Dimming, Forward Phase(TRIAC), Reverse Phase(ELV)
<b>Optics</b>	15°, 30°, 45°, 120°
<b>Mounting</b>	Swivel Mount, Extended Arm, Sliding Bracket, Hub Bracket, & Permapost
<b>Finish</b>	Powder Coated White, Black, Bronze, Silver, Custom

### PERFORMANCE

<b>Electrical</b>	120-277V AC, Row Interconnection or Daisy Chain with input/output IP67 Jumper Cables.
<b>LED Wattage</b>	LS 3.5W/ft (273lm/ft) - Standard / LH 4.5W/ft (351lm/ft)- High
<b>Max Run</b>	295ft
<b>Environment</b>	Wet Location - IP65. Operating Temperature - 22°F to 122°F
<b>Warranty</b>	5 yr / 50,000 hour limited warranty
<b>CRI</b>	93+
<b>Certifications</b>	UL Listed

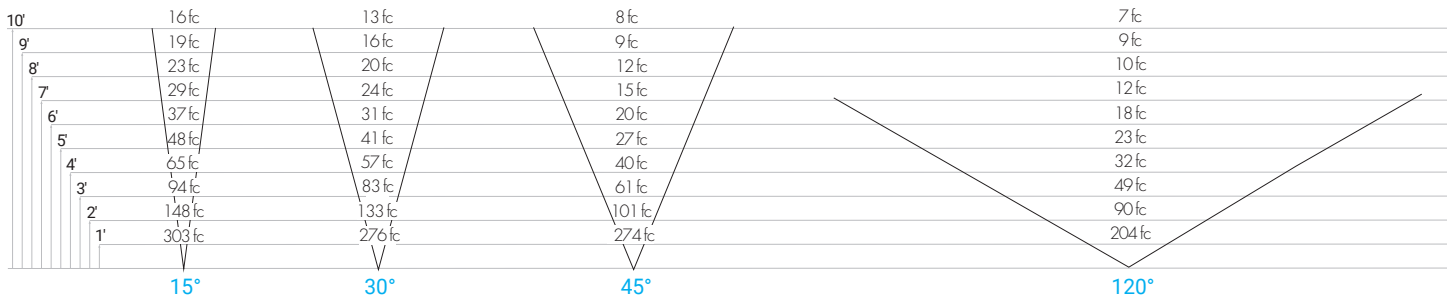
**ORDERING GUIDE** Make selections by filling out the top row or highlighting options.

1400									
SERIES	LENGTH	OUTPUT	CCT	VOLTAGE	CONTROL	OPTICS	MOUNTING	FINISH	ACCESSORY
1400	2 2'nom 3 3'nom 4 4'nom 8 8'nom Rx ROWx (x=length)	LS STANDARD LH HIGH	27 2700K 30 3000K 35 3500K 40 4000K 50 5000K	U 120-277V	ND NON DIMMING D1 0-10V DIMMING TRI FORWARD PHASE ELV REVERSE PHASE	15 15° 30 30° 45 45° 120 120°	SW SWIVEL MOUNT SB SLIDING BRACKET HBx HUB BRACKET (x=length)	WH WHITE BL BLACK BZ BRONZE SO SILVER CU CUSTOM	B BLADE LOUVER G GLARE SHIELD M MARINE GRADE FINISH P PERMAPOST Ax EXTENDED ARM (x=length) N NONE

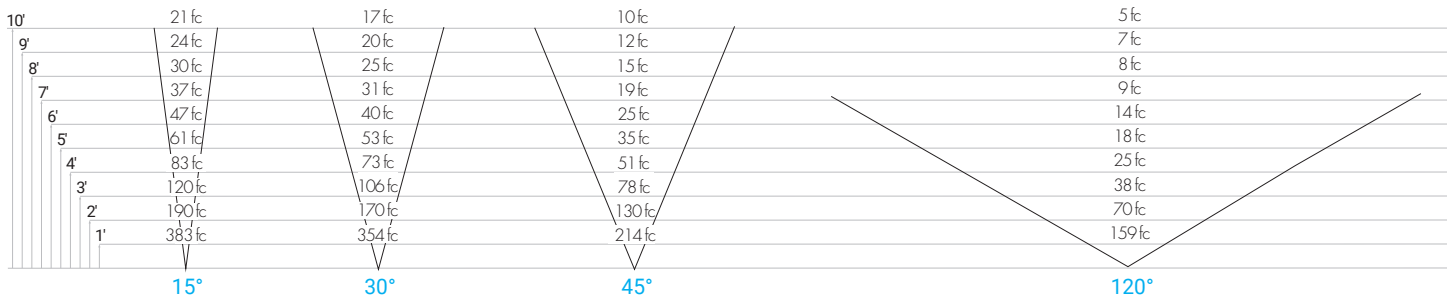
Specifications sheets are subject to change without notification.

Aiming fixtures with the lens options shown enable perfect asymmetric performances to meet the needs of any wallwashing project. Combining easy specification with easy aiming for long throw with even, shadowless distribution.

**PHOTOMETRIC DATA - LS 3.5W/ft (based off 4ft fixture)**



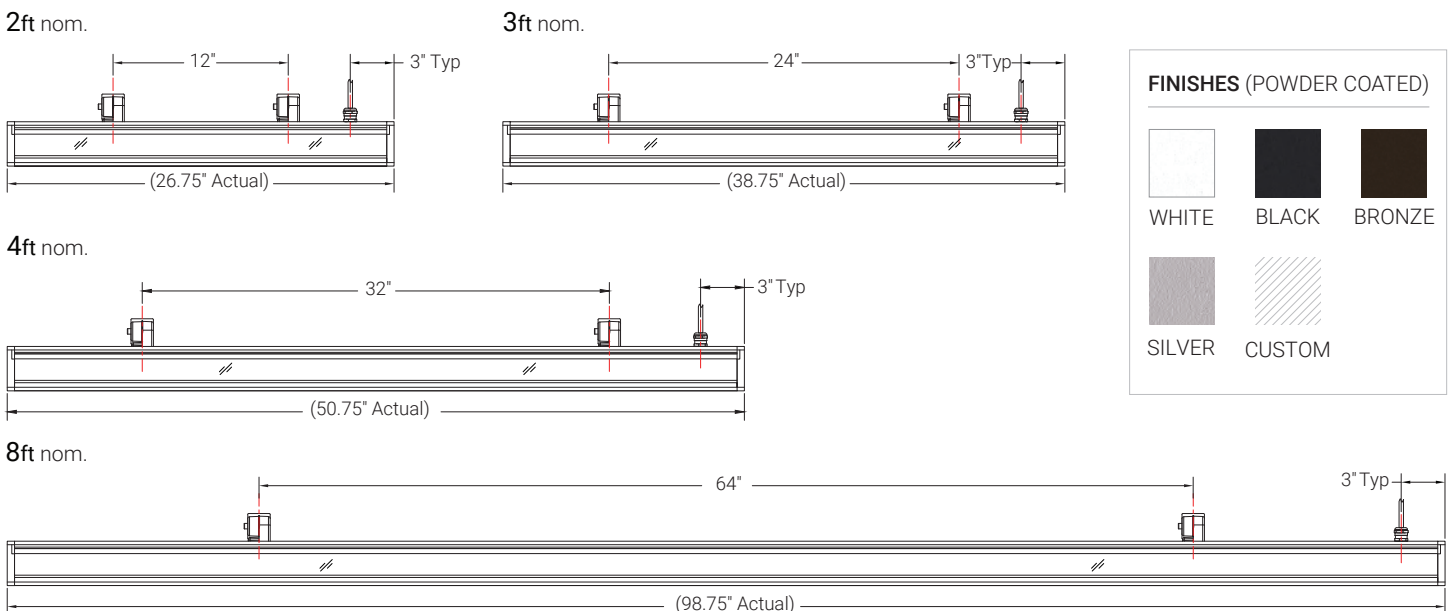
**PHOTOMETRIC DATA - LH 4.5W/ft (based off 4ft fixture)**



**OPTICS**



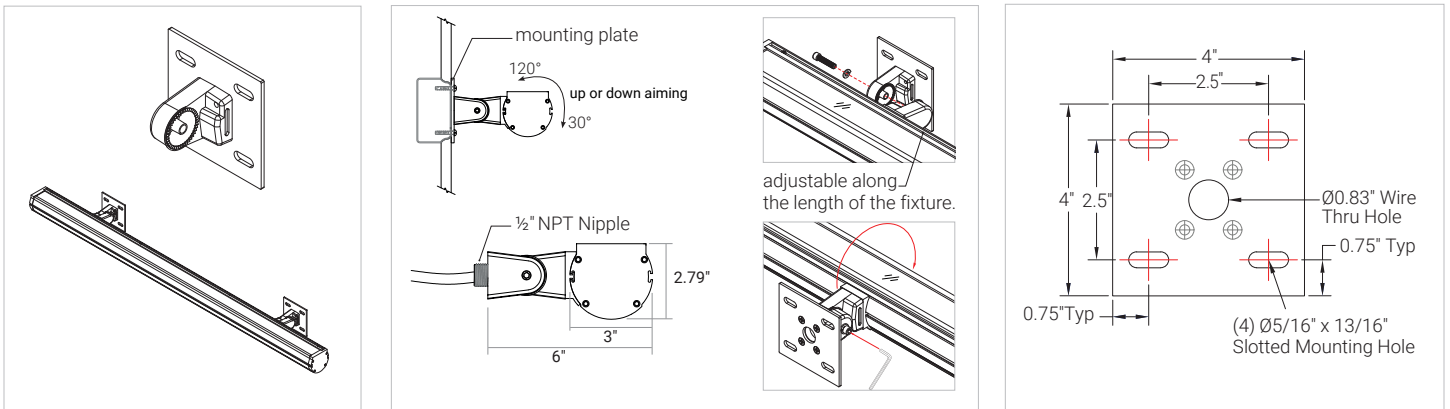
**FIXTURE SIZES**



Specifications sheets are subject to change without notification.

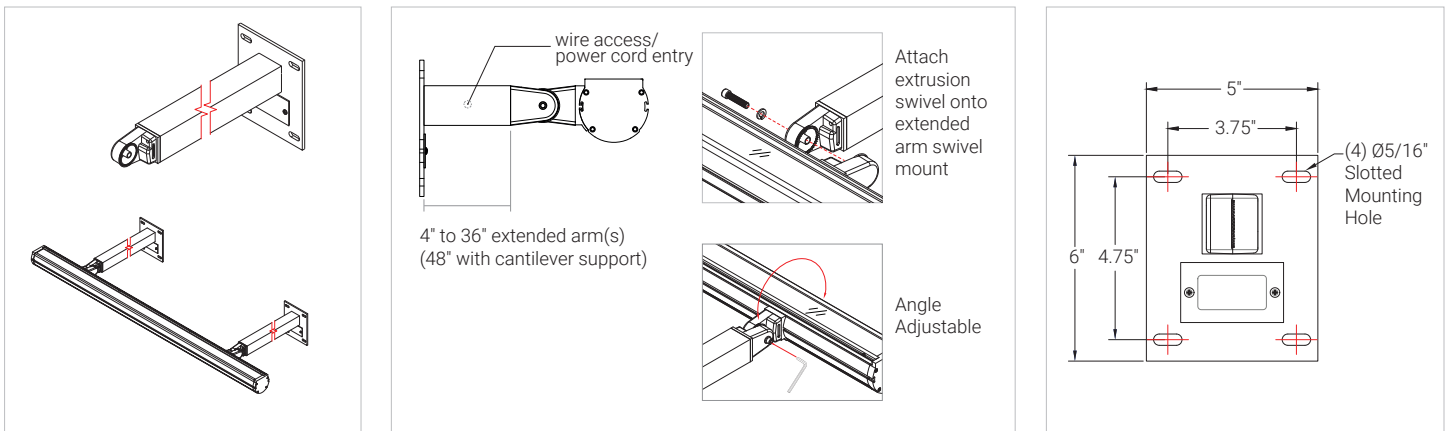
**SW Swivel Mount**

A heavy duty adjustable swivel mount with mounting plate. Weatherproof cord exits 3" from the back right end of individual fixtures with the lens in the up position. 1/2" nipple (can be specified) mounts directly to weatherproof canopies.



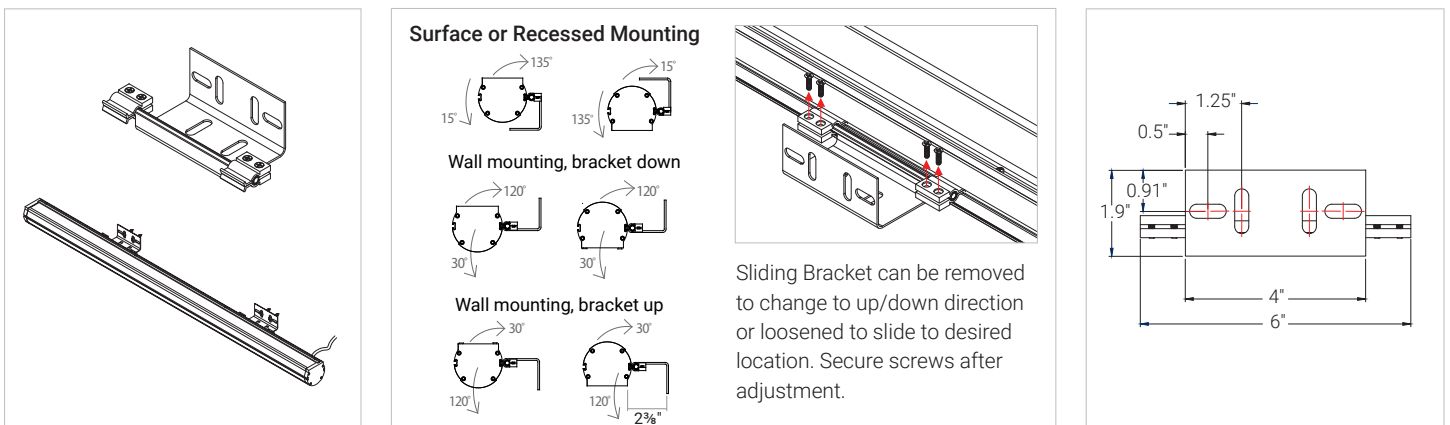
**Ax Extended Arm**

With swivel mount, extended arm is available in 4"-36" lengths. Power cords can be routed through arms, exiting close to the wall to connect to an adjacent j-box or other power outlet, providing a tidy installation.



**SB Sliding Bracket**

Surface mounts in position with 1/4" screws (not supplied). Fixtures 4ft + require two brackets. (Rows with Hubs - one bracket per fixture.)



Specifications sheets are subject to change without notification.

**HB Hub Bracket**

Heavy duty mounting arm with a choice of 4"-36" length used for row mounting of multiple fixtures. Locking set screws and fixture alignment brackets to secure fixtures after aiming included.

Mount Fixtures to hub brackets one at a time, starting with ender fixture into Hub Bracket(1).

After inserting fixture to (1), slide the hub bracket (2) to secure the fixture. Secure screws on hub bracket(2). Repeat.

**Optional locking bracket:**  
Secures fixtures at connecting points. 2.75" long slides into the channel and secures with two screws at the base. For swivel mounting, locking bracket will be on the cord grip side of the fixture.

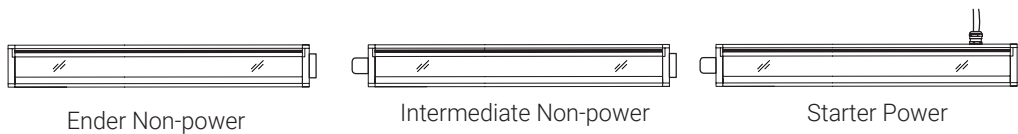
Secure fixture angle by inserting and locking set screw(s).

(2) Slotted Mounting Holes for  $\varnothing$  1/4" screws

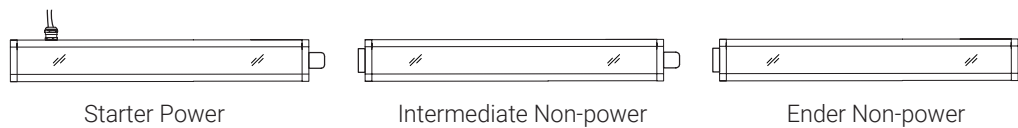
**ROW MOUNTING**

Row mounting available with swivel mount, sliding brackets, hub brackets, permaposts or extended arms. Mounted fixtures include patented tool-less, IP67 wire through connection system. Rotating waterproof Hubs solve the problem of aiming connected rows. 18" weatherproof cord exits 3" from the right end back of a fixture row with the lens in the upright position. When fixtures are inverted aiming down, the cord will be on the left.

**Row Mounting shown as uplight**



**Row Mounting shown as downlight**

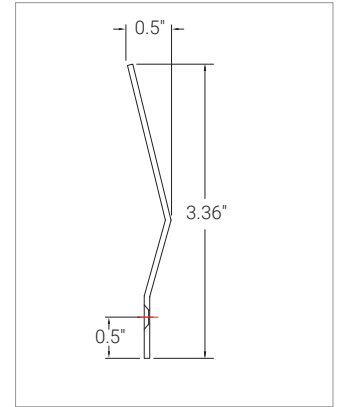
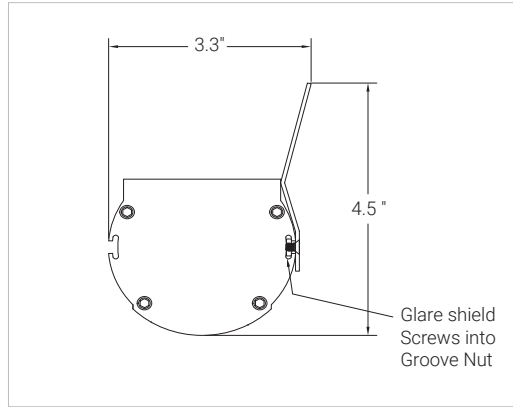
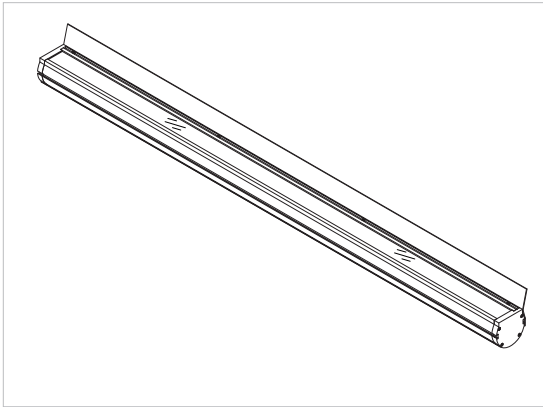


NOTE: Add 1/2" to each fixture length when interconnecting fixture rows.

Specifications sheets are subject to change without notification.

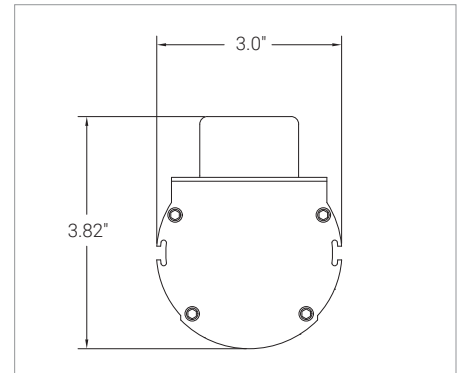
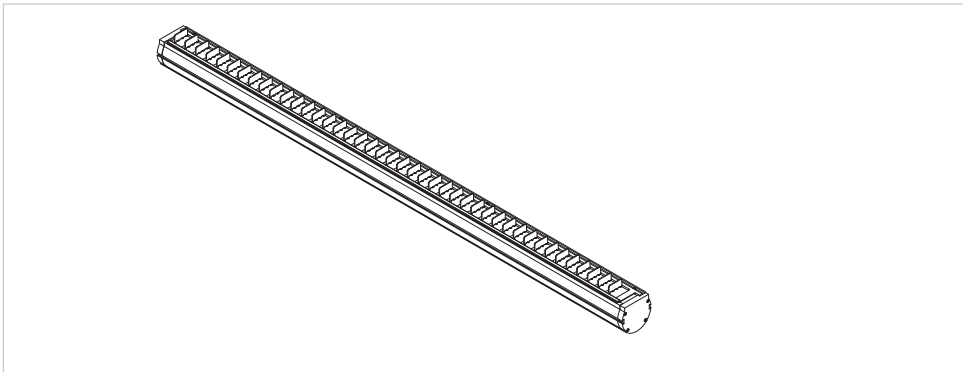
**G** Glare Shield

Minimizes a direct glare, while maintaining the LED output.



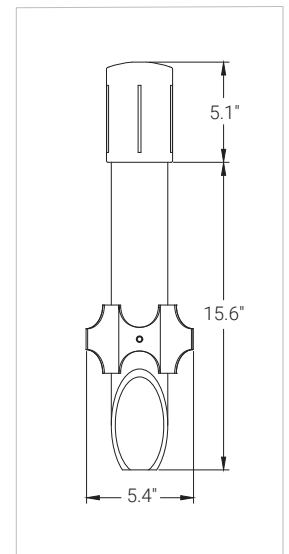
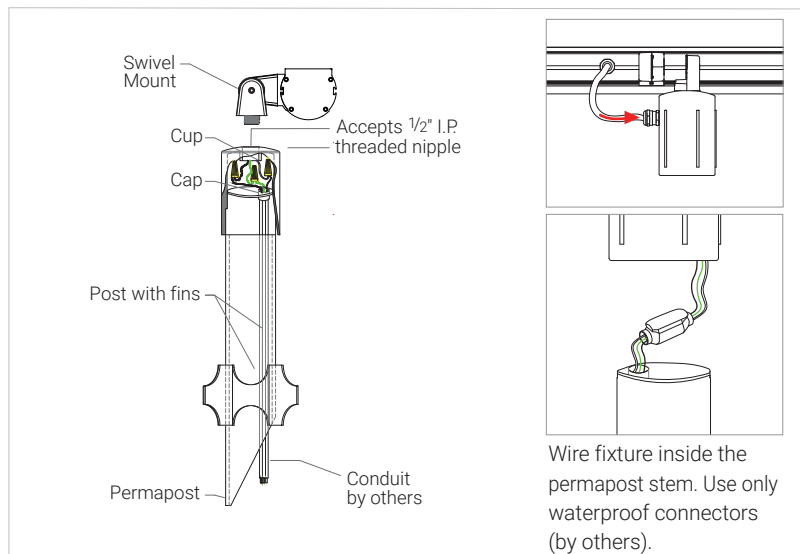
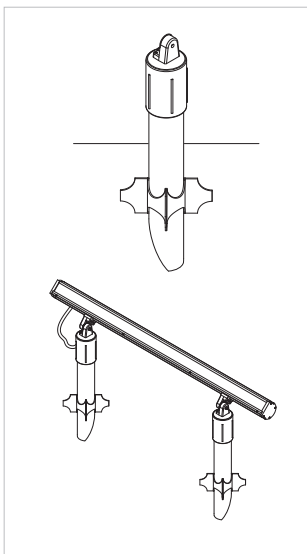
**B** Blade Louver

Minimizes a horizontal glare, while maintaining the LED output.



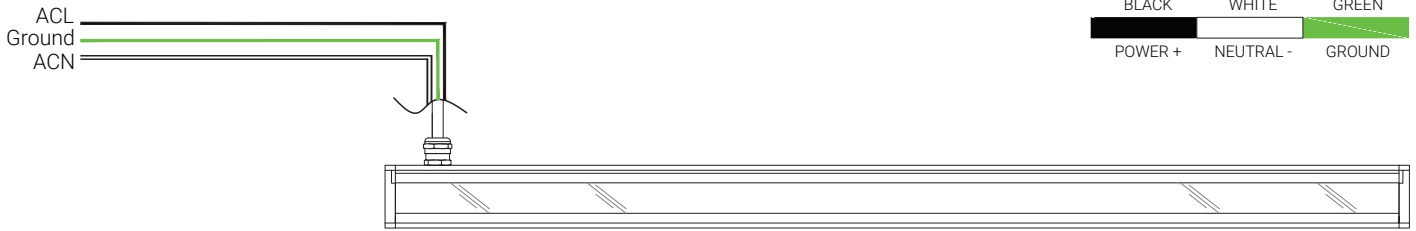
**P** Permapost

Provides easy at-grade installation. Includes swivel mount with 1/2" nipple. Fixture must be mounted at least 4" above ground level to avoid water accumulation.

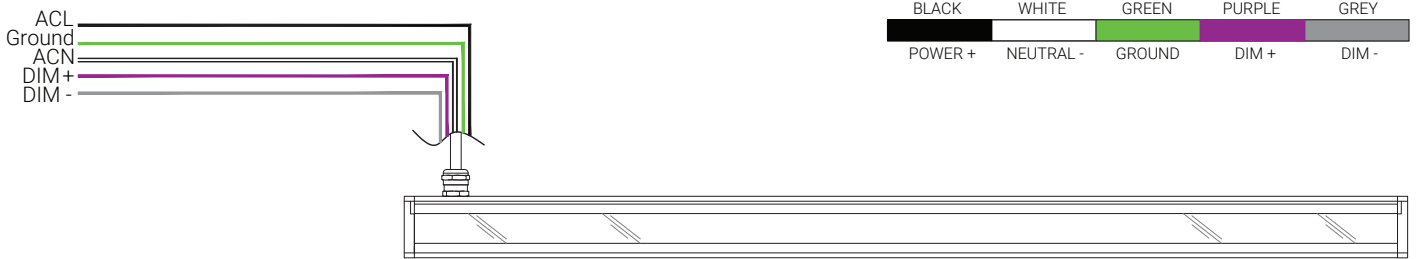


Specifications sheets are subject to change without notification.

Non-Dimming | 3 Wire

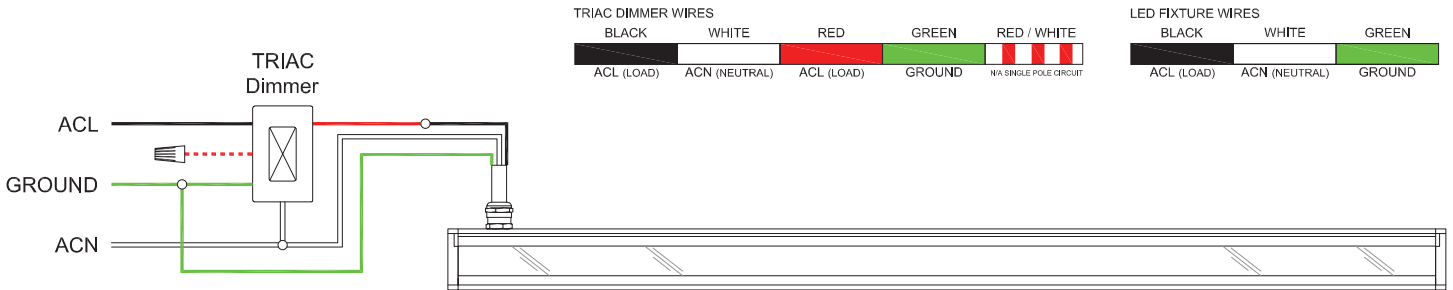


0-10V Dimming | 5 Wire



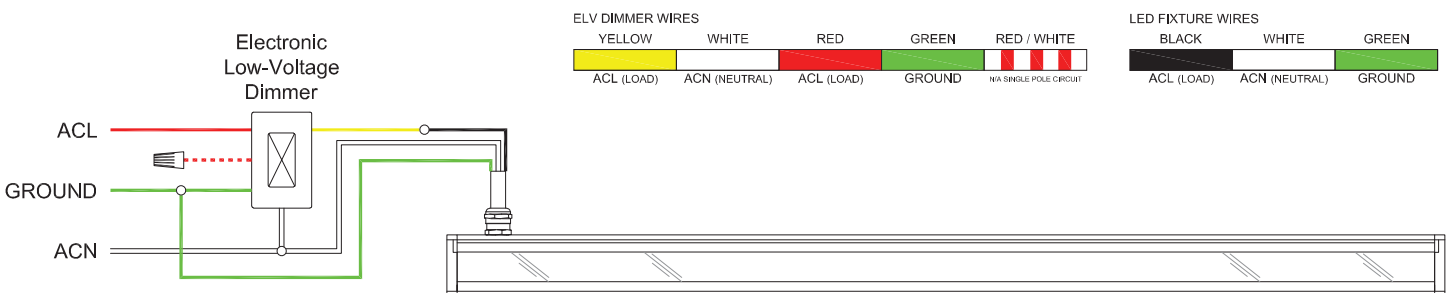
TRIAC | Forward Phase | 3 Wire

Based on Lutron DIVA C•L DVCL-253P 250W



ELV | Reverse Phase | 3 Wire

Based on Lutron DIVA DVRP-253P 250W & Lutron DIVA DVELV-303P-WH 300W



Specifications sheets are subject to change without notification.